

NSG90H63SR

SAMSUNG

Bespoke Smart Slide-In, Dual Fuel Range 6.3 cu. ft.
with Illuminated Precision Knobs



Available Color

 **Stainless Steel**
NSG90H63SR

Features

- Dual Fuel: Gas Cooktop & Electric Oven
- Illuminated Precision Knobs
- Soft-Close Door
- No-Preheat Air Fry Max (Tray Included)
- True Convection
- Air Sous Vide
- Reversible Cast Iron Griddle
- Wok Grate
- Fingerprint Resistant Finish
- Self & Steam Clean
- Storage Drawer

Convenience

- Wi-Fi Connectivity
- Voice Enabled
- Convection Auto Conversion
- Hidden Bake Element
- Child Safety Lock
- Delay Start
- Auto Oven Light
- Timer
- Sabbath Mode

Specifications

Black Enamel 5-Burner Cooktop

- Right Front: 23K BTU Dual Ring
- Left Front: 16K BTU
- Right Rear: 5K BTU
- Left Rear: 9.5K BTU
- Center (Oval): 10K BTU

Oven

- Capacity: 6.3 cu. ft.
- Convection Element/Heater
- Convection Bake
- Convection Roast
- Bake
- Variable Broil: Low/High
- No-Preheat Air Fry Max
- Air Sous Vide
- Keep Warm
- Bread Proof
- Pizza (From SmartThings App*)

* Available on Android and iOS devices. A Wi-Fi connection and a Samsung account are required.

Dimensions

Oven Interior Dimensions (WxHxD)

Dimensions: 24^{13/16}" x 22^{7/16}" x 19^{3/4}"

Product Dimensions with Handle (WxHxD)

Dimensions: 29^{15/16}" x 36" – 36^{3/4}" (Adj.) x 28^{3/8}"

Weight: 185.8 lbs

Shipping Dimensions & Weight (WxHxD)

Dimensions: 33^{1/16}" x 41^{1/8}" x 30^{5/16}"

Weight: 209.9 lbs

Warranty

One (1) Year Parts and Labor

UPC

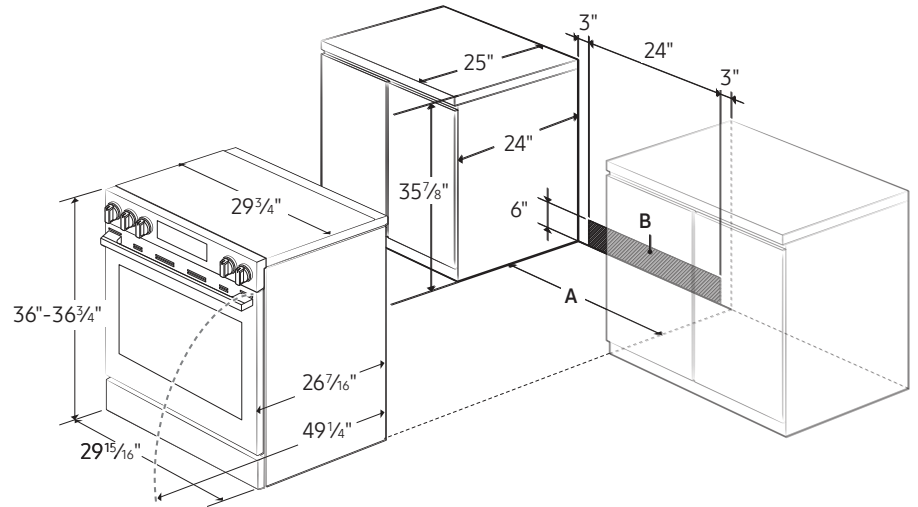
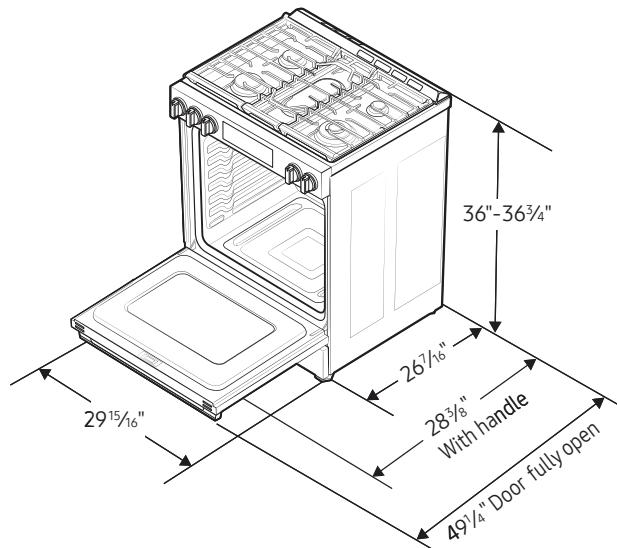
Finish	Model #	UPC Code
Stainless Steel	NSG90H63SR	198957265396

NSG90H63SR

SAMSUNG

Bespoke Smart Slide-In, Dual Fuel Range 6.3 cu. ft.
with Illuminated Precision Knobs

Installation Specifications



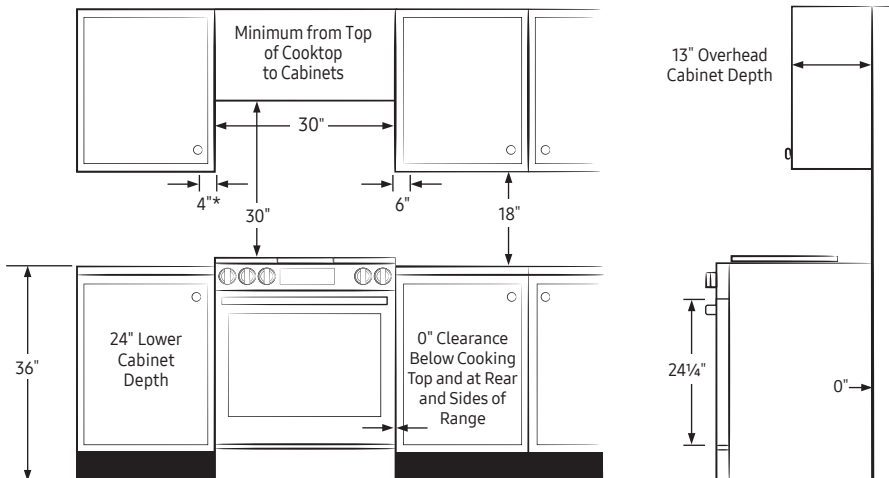
Electrical Requirements

240V/208V/60 Hz
40 Amps

A: Cabinet opening minimum 30"
B: Acceptable electrical outlet area

IMPORTANT: If your cabinets are over 36 3/4" high, you must install this range on a hard, heat-resistant support that raises the surface of the range so that it is about even with the countertop.

Installing Your Range



*Side clearance above cooking surface to any objects, i.e., wall.

IMPORTANT: Consult with Installation Manual for detailed instructions before installing.
All ranges must be installed with the Anti-Tip bracket that is included.

Recommended Locations for Gas Piping and Electrical Outlets

