

# NSG6D\*8300

# SAMSUNG

Bespoke Smart Slide-In Gas Range 6.0 cu. ft.  
with Air Fry & Precision Knobs



## Available Colors



**Stainless Steel**  
NSG6DG8300SR



**White Glass**  
NSG6DB830012

## Features

- Air Fry, Tray Included
- Precision Knobs
- Convection
- Glass-Touch Controls
- Embedded Cast Iron Griddle
- Edge-to-Edge Grates
- Self Clean
- Storage Drawer

## Convenience

- Wi-Fi Connectivity
- Voice-Enabled
- Convection Auto Conversion
- Self Clean
- Hidden Bake Element
- Child Safety Lock
- Delay Start
- Auto Oven Light
- Kitchen Timer
- Sabbath Mode

## Specifications

### Black Enamel 5-Burner Cooktop

- Right Front: 17K BTU
- Left Front: 16K BTU
- Right Rear: 5K BTU
- Left Rear: 9.5K BTU
- Center (Oval): 10K BTU

### Oven

- Capacity: 6.0 cu. ft.
- Convection Bake
- Convection Roast
- Bake
- Variable Broil: Low/High
- Air Fry
- Keep Warm
- Bread Proof
- Dehydrate

## Dimensions

### Oven Interior Dimensions (WxHxD)

Dimensions: 24<sup>13</sup>/<sub>16</sub>" x 21<sup>5</sup>/<sub>8</sub>" x 19<sup>5</sup>/<sub>8</sub>"

### Product Dimensions (WxHxD)

Dimensions: 29<sup>15</sup>/<sub>16</sub>" x 36" – 36<sup>3</sup>/<sub>4</sub>" (Adj.) x 27<sup>7</sup>/<sub>8</sub>"  
Weight: 182.5 lbs

### Shipping Dimensions & Weight (WxHxD)

Dimensions: 33<sup>1</sup>/<sub>16</sub>" x 41<sup>1</sup>/<sub>8</sub>" x 30<sup>5</sup>/<sub>16</sub>"  
Weight: 204.6 lbs

## Warranty

One (1) Year Parts and Labor

## UPC

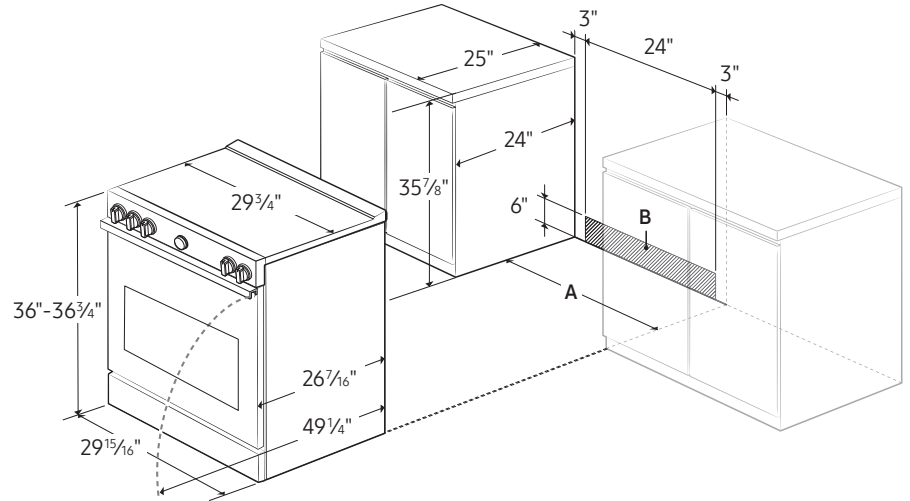
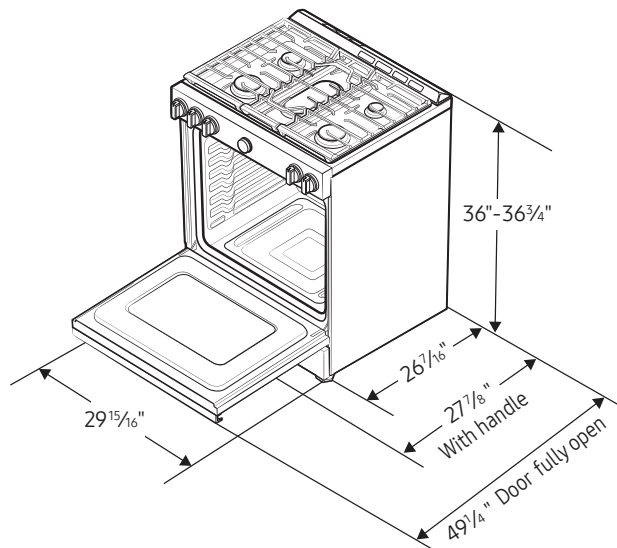
Finish	Model #	UPC Code
Stainless Steel	NSG6DG8300SR	887276817392
White Glass	NSG6DB830012	887276817330

# NSG6D\*8300

# SAMSUNG

Bespoke Smart Slide-In Gas Range 6.0 cu. ft.  
with Air Fry & Precision Knobs

## Installation Specifications



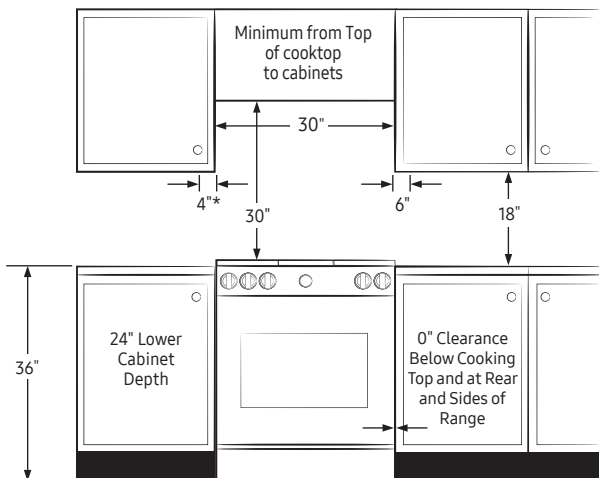
## Electrical Requirements

120V/60 Hz  
20 Amps

A: Cabinet opening min 30"  
B: Acceptable electrical outlet area

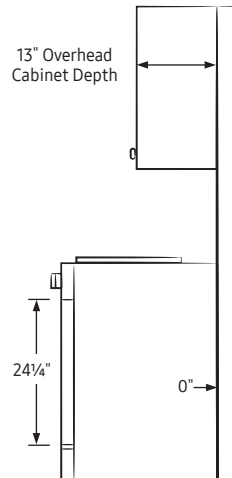
**IMPORTANT:** If your cabinets are over 36 3/4" high, you must install this range on a hard, heat resistant support that raises the surface of the range so that it is about even with the countertop.

## Installing Your Range



\*Side clearance above cooking surface to any objects, i.e., wall.

**IMPORTANT:** Consult with Installation Manual for detailed instructions before installing.  
All ranges must be installed with the Anti-Tip device that is included.



## Recommended Locations for Gas Piping and Electrical Outlets

