

NSG6DG8100

SAMSUNG

Bespoke Smart Slide-In Gas Range 6.0 cu. ft.
with Precision Knobs



Available Colors



Stainless Steel
NSG6DG8100SR



Matte Black Steel
NSG6DG8100MT

Features

- Precision Knobs
- Glass-Touch Controls
- Self Clean
- Storage Drawer

Convenience

- Wi-Fi Connectivity
- Voice-Enabled
- Self Clean
- Hidden Bake Element
- Child Safety Lock
- Delay Start
- Auto Oven Light
- Kitchen Timer
- Sabbath Mode

Specifications

Black Enamel 5-Burner Cooktop

- Right Front: 17K BTU
- Left Front: 16K BTU
- Right Rear: 5K BTU
- Left Rear: 9.5K BTU
- Center (Round): 9.5K BTU

Oven

- Capacity: 6.0 cu. ft.
- Bake
- Variable Broil: Low/High
- Keep Warm
- Bread Proof

Dimensions

Oven Interior Dimensions (WxHxD)

Dimensions: 24¹³/₁₆" x 21⁵/₈" x 19⁵/₈"

Product Dimensions (WxHxD)

Dimensions: 29¹⁵/₁₆" x 36" – 36³/₄" (Adj.) x 27⁷/₈"
Weight: 174.6 lbs:

Shipping Dimensions & Weight (WxHxD)

Dimensions: 33¹/₁₆" x 41¹/₈" x 30⁵/₁₆"
Weight: 196.7 lbs

Warranty

One (1) Year Parts and Labor

UPC

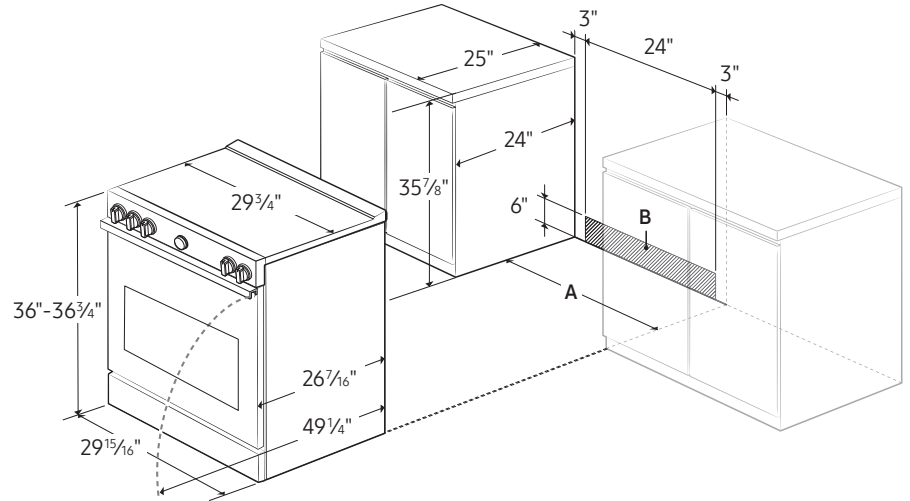
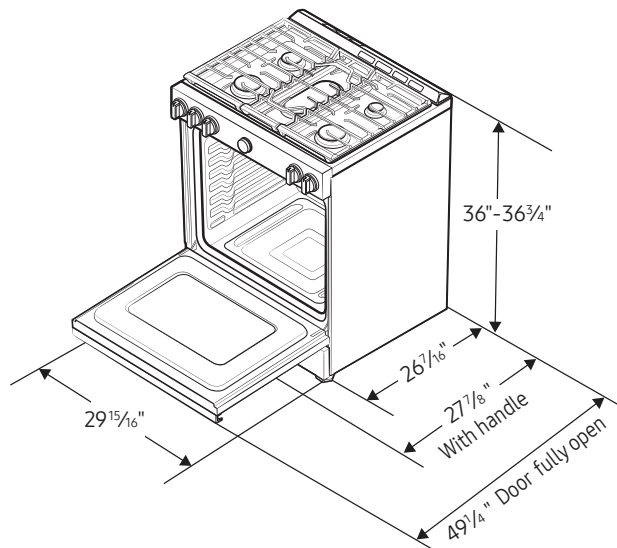
Finish	Model #	UPC Code
Stainless Steel	NSG6DG8100SR	887276817378
Matte Black Steel	NSG6DG8100MT	887276817361

NSG6DG8100

SAMSUNG

Bespoke Smart Slide-In Gas Range 6.0 cu. ft.
with Precision Knobs

Installation Specifications



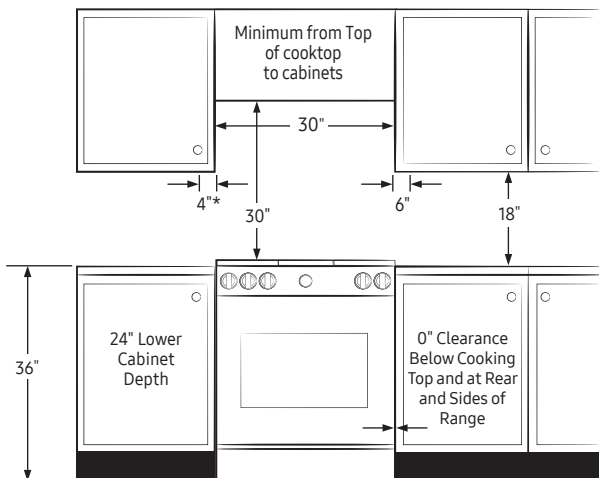
Electrical Requirements

120V/60 Hz
20 Amps

A: Cabinet opening min 30"
B: Acceptable electrical outlet area

IMPORTANT: If your cabinets are over 36 3/4" high, you must install this range on a hard, heat resistant support that raises the surface of the range so that it is about even with the countertop.

Installing Your Range



*Side clearance above cooking surface to any objects, i.e., wall.

IMPORTANT: Consult with Installation Manual for detailed instructions before installing.
All ranges must be installed with the Anti-Tip device that is included.

Recommended Locations for Gas Piping and Electrical Outlets

