

NSE90H63DR

SAMSUNG

Bespoke Smart Slide-In Electric Range 6.3 cu. ft.
with Flex Duo™



Available Color



Stainless Steel
NSE90H63DR

Features

- Flex Duo™
- Illuminated Precision Knobs
- Soft-Close Door
- No-Preheat Air Fry Max (Tray Included)
- True Convection
- Air Sous Vide
- Gliding Rack
- Fingerprint Resistant Finish
- Self & Steam Clean
- Storage Drawer

Convenience

- Wi-Fi Connectivity
- Voice Enabled
- Convection Auto Conversion
- Hidden Bake Element
- Child Safety Lock
- Delay Start
- Auto Oven Light
- Timer
- Sabbath Mode

Specifications

Electric Ceramic Cooktop

- Right Front: 6"/9"/12" 3,000W
- Left Front: 6"/9" 3,600W Express Boil
- Right Rear: 6" 1,200W
- Left Rear: 6" 1,200W
- Center: 6" Warming Zone (100W)

Oven

- Upper Capacity: 3.4 cu. ft.
- Lower Capacity: 2.7 cu. ft.
- Convection Element/Heater
- Convection Bake
- Convection Roast
- Bake
- Variable Broil: Low/High
- No-Preheat Air Fry Max
- Air Sous Vide
- Keep Warm
- Bread Proof
- Pizza (From SmartThings App*)

* Available on Android and iOS devices. A Wi-Fi connection and a Samsung account are required.

Dimensions

Oven Interior Dimensions (WxHxD)

Dimensions: 24¹³/₁₆" x 22⁷/₁₆" x 19³/₄"

Product Dimensions with handle (WxHxD)

Dimensions: 29¹⁵/₁₆" x 36" – 36³/₄" (Adj.) x 28³/₈"

Weight: 198.2 lbs

Shipping Dimensions & Weight (WxHxD)

Dimensions: 33¹/₁₆" x 41¹/₈" x 30⁵/₁₆"

Weight: 215.0 lbs

Warranty

One (1) Year Parts and Labor

UPC

Finish	Model #	UPC Code
Stainless Steel	NSE90H63DR	198957265228

Rating



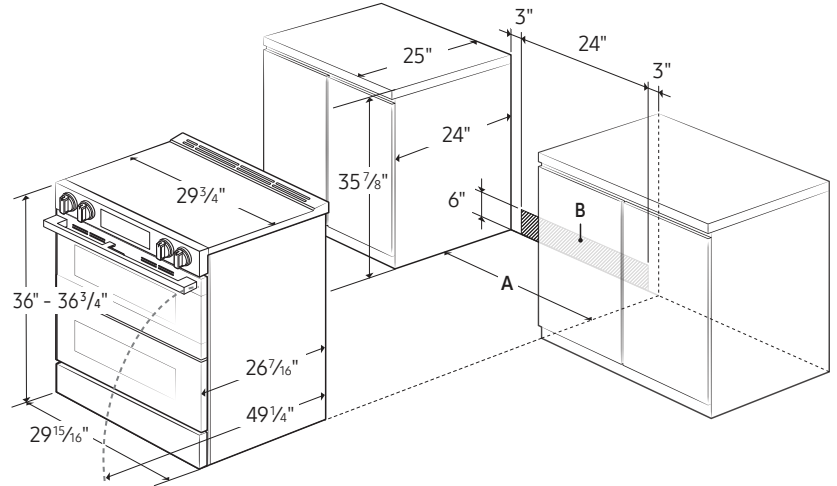
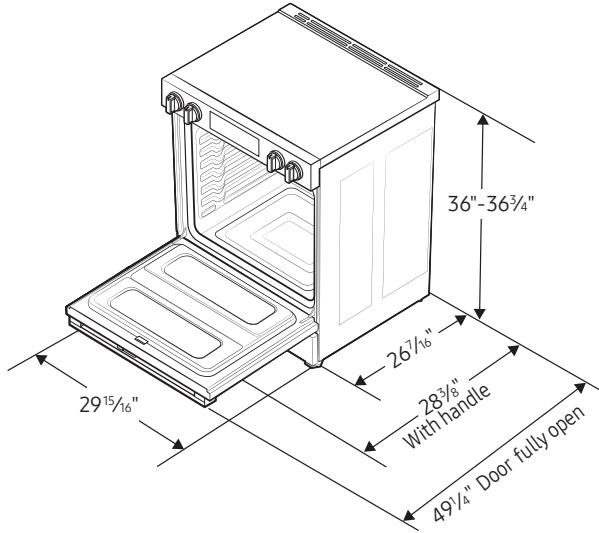
ENERGY STAR® Rated:
195 kWh/yr

NSE90H63DR

SAMSUNG

Bespoke Smart Slide-In Electric Range 6.3 cu. ft.
with Flex Duo™

Installation Specifications

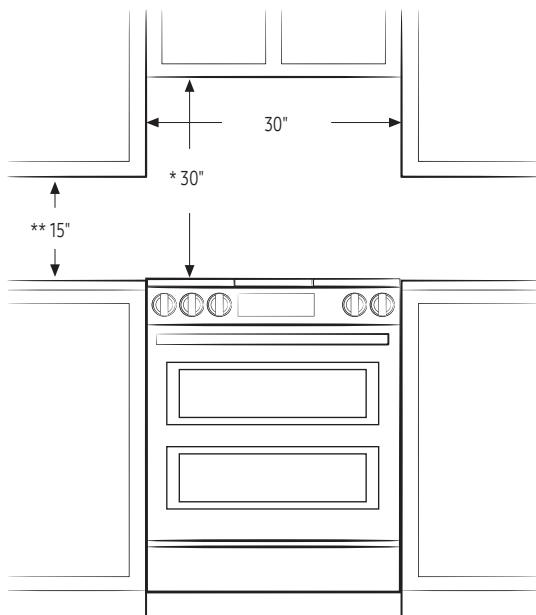


A: Cabinet opening minimum 30"
B: Acceptable electrical outlet area

IMPORTANT: If your cabinets are over 36³/₄" high, you must install this range on a hard, heat-resistant support that raises the surface of the range so that it is about even with the countertop.

Electrical Requirements

240V/208V/60 Hz
40 Amps



* 30" minimum clearance between the top of the cooking surface and the bottom of an unprotected wood or metal cabinet; or 24" minimum when the bottom of the wood or metal cabinet is protected by not less than 1/4" of flame-retardant millboard covered with not less than no. 28 MSG sheet steel, 0.015" stainless steel, 0.024" aluminum, or 0.020" copper.

**15" minimum between the countertop and the adjacent cabinet bottom.

IMPORTANT: Consult with Installation Manual for detailed instructions before installing. All ranges must be installed with the Anti-Tip bracket that is included.

