

# NSE6D\*8300

# SAMSUNG

Bespoke Smart Slide-In Electric Range 6.3 cu. ft.  
with Air Fry & Precision Knobs



## Available Colors

 **Stainless Steel**  
NSE6DG8300SR

 **White Glass**  
NSE6DB830012

## Features

- Air Fry, Tray Included
- Precision Knobs
- Convection
- Glass-Touch Controls
- Self & Steam Clean
- Storage Drawer

## Convenience

- Wi-Fi Connectivity
- Voice-Enabled
- Convection Auto Conversion
- Self & Steam Clean
- Hidden Bake Element
- Child Safety Lock
- Delay Start
- Auto Oven Light
- Kitchen Timer
- Sabbath Mode

## Specifications

### Electric Ceramic Cooktop

- Right Front: 9"/12" 3,000W
- Left Front: 6"/9" 3,000W
- Right Rear: 6" 1,200W
- Left Rear: 6" 1,200W
- Center: 6" Warming Zone (100W)

### Oven

- Capacity: 6.3 cu. ft.
- Convection Bake
- Convection Roast
- Bake
- Variable Broil: Low/High
- Air Fry
- Keep Warm
- Bread Proof
- Dehydrate

## Dimensions

**Oven Interior Dimensions (WxHxD)**  
Dimensions: 24<sup>13/16</sup>" x 22<sup>7/16</sup>" x 19<sup>3/4</sup>"

**Product Dimensions (WxHxD)**  
Dimensions: 29<sup>15/16</sup>" x 36" – 36<sup>3/4</sup>" (Adj.) x 27<sup>7/8</sup>"  
Weight: 160.5 lbs

**Shipping Dimensions & Weight (WxHxD)**  
Dimensions: 33<sup>1/16</sup>" x 41<sup>1/8</sup>" x 30<sup>5/16</sup>"  
Weight: 180.1 lbs

## Warranty

One (1) Year Parts and Labor

## UPC

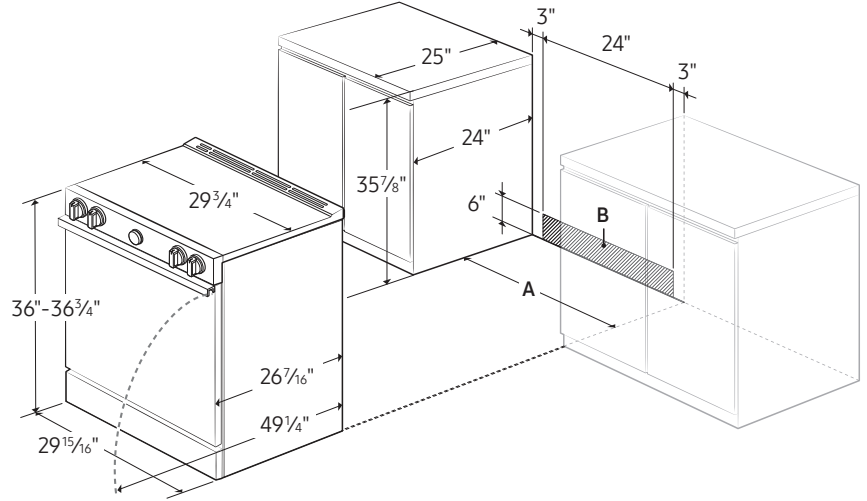
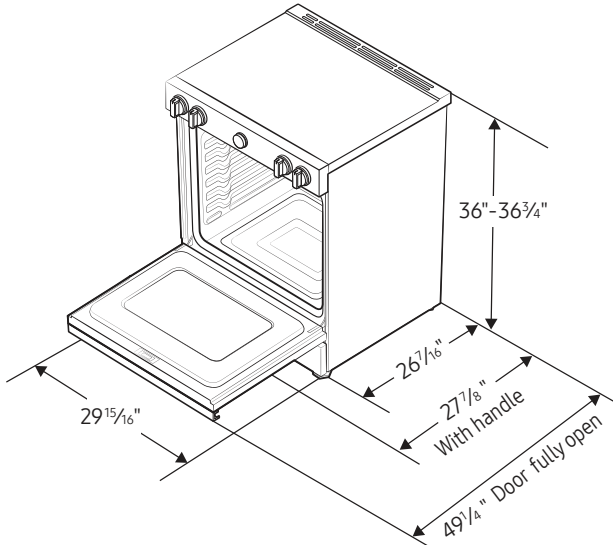
Finish	Model #	UPC Code
Stainless Steel	NSE6DG8300SR	887276817293
White Glass	NSE6DB830012	887276817231

# NSE6D\*8300

# SAMSUNG

Bespoke Smart Slide-In Electric Range 6.3 cu. ft.  
with Air Fry & Precision Knobs

## Installation Specifications



### Electrical Requirements

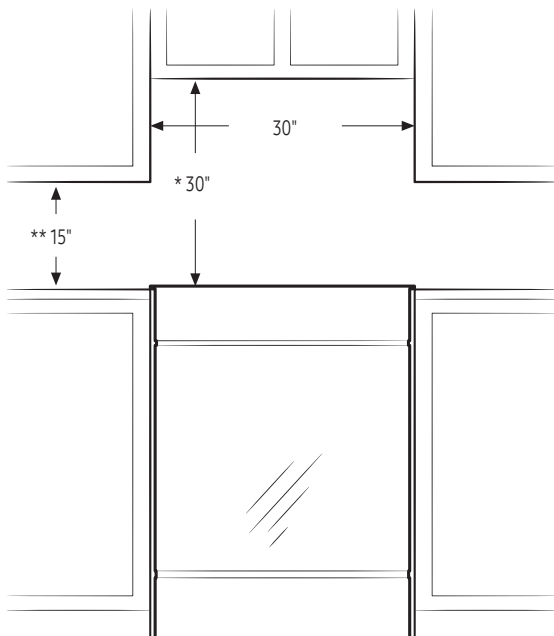
240V/208V/60 Hz

40 Amps

A: Cabinet opening min 30"

B: Acceptable electrical outlet area

**IMPORTANT:** If your cabinets are over 36<sup>3</sup>/<sub>4</sub>" high, you must install this range on a hard, heat resistant support that raises the surface of the range so that it is about even with the countertop.



\* 30" minimum clearance between the top of the cooking surface and the bottom of an unprotected wood or metal cabinet; or 24" minimum when the bottom of the wood or metal cabinet is protected by not less than 1/4" of flame retardant millboard covered with not less than no.28 MSG sheet steel, 0.015" stainless steel, 0.024" aluminum, or 0.020" copper.

\*\*15" minimum between the countertop and the adjacent cabinet bottom.

**IMPORTANT:** Consult with Installation Manual for detailed instructions before installing. All ranges must be installed with the Anti-Tip device that is included.

