

# Electric Range

## Installation manual

### Anti-tip device

#### WARNING

To reduce the risk of tipping the appliance, the appliance must be secured by properly installed anti-tip devices packed with the appliance.



- A. A child or adult can tip the range and be killed.
- B. Install the anti-tip device to the structure and/or the range at rear right (or rear left) of the range bottom.
- C. Engage the range to the anti-tip device by leveling leg at rear right (or rear left) of the range bottom.
- D. Re-engage the anti-tip device if the range is moved.
- E. See installation instructions for details.
- F. Failure to do so can result in death or serious burns to children or adults.

### About this manual

**READ THESE INSTRUCTIONS COMPLETELY AND CAREFULLY.**

#### Important note to the installer

- Read all instructions contained in these installation instructions before installing the range.
- Remove all packing materials from the oven compartments before connecting the electrical supply to the range.
- Observe all governing codes and ordinances.
- Save for the local electrical inspector's use.
- Be sure to leave these instructions with the consumer.

#### Important note to the consumer

**Keep these instructions for the local electrical inspector's use.**

- As when using any appliance generating heat, there are certain safety precautions you should follow.
- Be sure your range is installed and grounded properly by a qualified installer or service technician.
- For the range to ventilate properly, make sure the range's vents are not blocked or covered, and that there is enough clearance at the top, back, sides, and underneath the range. The vents allow the necessary exhaust for the range to operate properly with correct combustion and get the good cooking result.
- Make sure the wall coverings around the range can withstand the heat generated by the range.
- To eliminate the need to reach over the surface elements, avoid having cabinet storage space above the cooktop.
- The range should not be placed on a base.

### For your safety

#### WARNING

- If the information in this manual is not followed exactly, a fire or electrical shock may result causing property damage, personal injury, or death.
- Before beginning the installation, switch the power off at the service panel and lock the service disconnecting switch to prevent power from being switched on accidentally. When the service disconnecting switch cannot be locked, securely fasten a prominent warning device, such as a tag, to the service panel.
- This appliance must be properly grounded.

# SAMSUNG

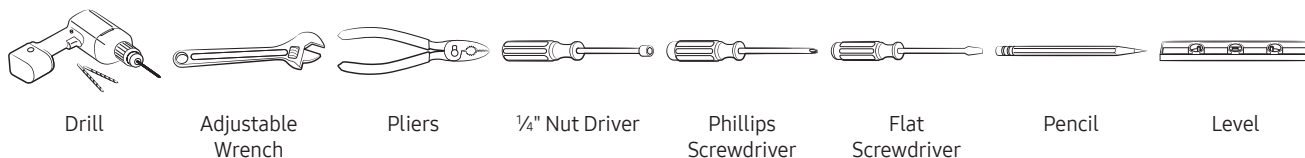


DG68-01623A-01

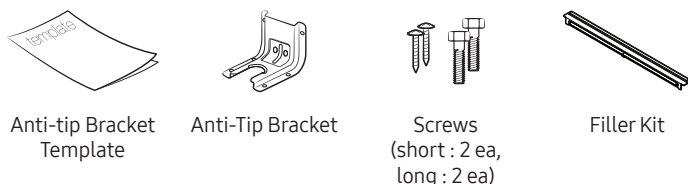
# Preparing to install the range

## Prepare tools & Parts

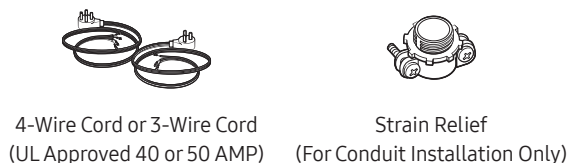
### The tools you will need



### What's included with your range



### Additional materials you may need



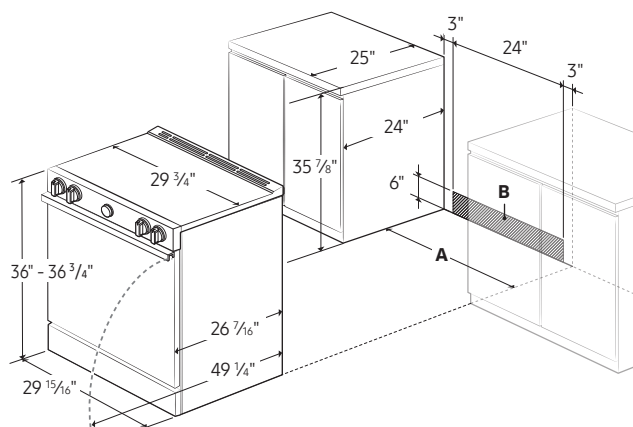
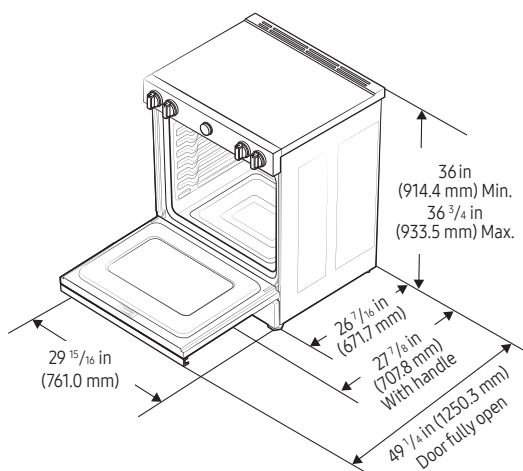
## Checking the installation site

### Clearances and dimensions

To install the range, refer to the following figure.

#### ⚠ CAUTION

This range has been designed to comply with the maximum allowable wood cabinet temperatures of 194 °F. Make sure the wall covering, countertops, and cabinets around the range can withstand the heat (up to 194 °F) generated by the range. If not, discoloration, delamination, or melting may occur.



A. Cabinet opening min 30" (76.2 cm)

B. Acceptable electrical outlet area

**IMPORTANT:** If your cabinets are over 36 3/4" high, you must install this range on a hard, heat resistant support that raises the surface of the range so that it is about even with the countertop.

#### ⚠ CAUTION

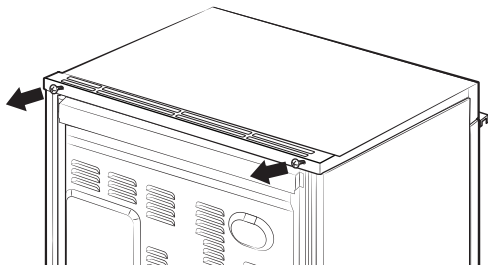
You must use the rear filler kit to install the range in a freestanding cutout cabinet. For more information, see "Optional rear filler kit" as shown below.

#### 📖 NOTE

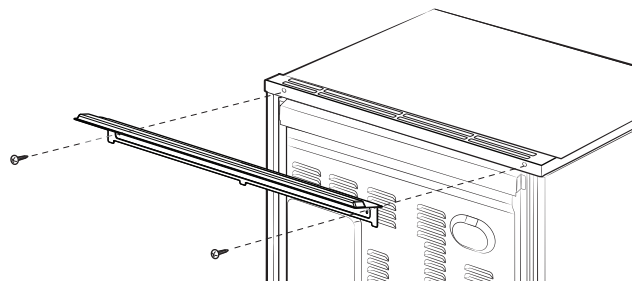
If you install the product in a kitchen island, you must maintain minimum 2 1/2" from cutout to back edge of the countertop and minimum 3" from cutout to side edges of the countertop.

## Optional rear filler kit

Used to fill gap between the range back and wall. Adds a filler strip to the rear of the range. This kit can only be used when the opening in the countertop is 25" deep.



1. Unscrew the screws affixing the vent cover.

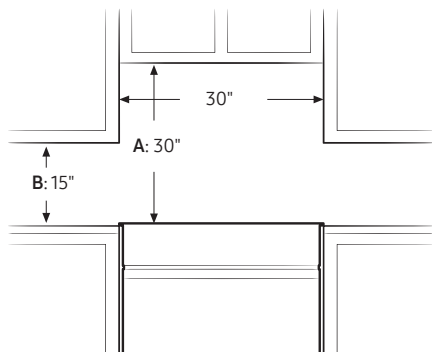


2. Assemble the filler strip to the back of the range using the removed screws.

### NOTE

If the countertop depth is greater than 25", there will be a gap between the filler kit and the back wall.

## Minimum dimensions



**IMPORTANT:** To eliminate the risk of burns or fire caused by reaching over heated surface units, avoid having cabinet storage space located above the surface units. If you have cabinet storage space over the heating elements, you can reduce the risk by installing a range hood that projects horizontally a minimum of 5 inches beyond the bottom of the cabinets.

- A. A minimum of 30" is required between the top of the cooking surface and the bottom of an unprotected wood or metal cabinet; a minimum of 24" is required if the bottom of the wood or metal cabinet is protected by not less than  $\frac{1}{4}$ " of flame retardant millboard covered with not less than no.28 MSG of sheet steel, 0.015" of stainless steel, 0.024" of aluminum, or 0.020" of copper.
- B. A minimum of 15" is required between the countertop and the adjacent cabinet bottom.

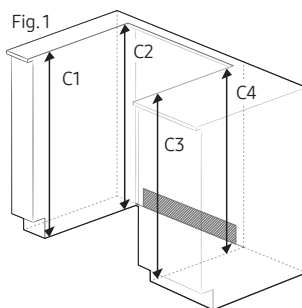
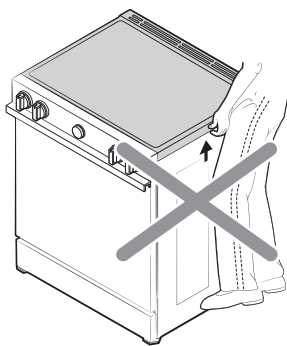
### CAUTION

Vapors may come out from the vent. It is normal, but be careful as it may be hot. Depending on the material of your wall, hot vapors may leave stains on it.

## To avoid breakage

### CAUTION

Do NOT lift or handle the unit by the cooktop glass or door handle.



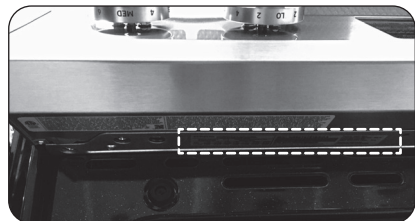
1. The counter top around the cut-out should be flat and leveled.
2. Before installing the unit, measure the heights of the two cabinet sides (C1-C4), front and back (See Fig. 1) from the floor to the top of the counter.
3. Level the range using the four leveling legs so that the height from the floor to the underside of the cooktop glass frame is greater than the tallest cabinet measurement by at least  $\frac{1}{16}$ ".
4. Slide the unit into the cabinet (**DO NOT PUSH THE UNIT HARD**). Make sure the center of the unit aligns with the center of the cabinet cut-out.

# Connecting the power

## Step 1. Meeting electrical connection requirements

### CAUTION

For personal safety, do not use an extension cord with this appliance. Remove the house fuse or open the circuit breaker before beginning installation.



This appliance must be supplied with the proper voltage and frequency, and be connected to an individual, properly grounded branch circuit, protected by a circuit breaker or fuse having amperage as specified on the rating plate. The rating plate is located on the bottom side of the control panel.

We recommend you have the electrical wiring and hookup of your range connected by a qualified electrician. After installation, have the electrician show you where your main range disconnect is located.

Check with your local utilities for electrical codes which apply in your area. Failure to wire your oven according to governing codes could result in a hazardous condition. If there are no local codes, your range must be wired and fused to meet the requirements of the National Electrical Code, ANSI/NFPA No. 70–Latest Edition. You can get a copy by writing:

National Fire Protection Association  
Batterymarch Park  
Quincy, MA 02269

Effective January 1, 1996, the National Electrical Code requires that new construction (not existing) utilize a 4-conductor connection to an electric range.

When installing an electric range in new construction, follow Steps 2 and 3 for a 4-wire connection.

You must use a 3-wire or 4-wire, single-phase A.C. 208Y/120 Volt or 240/120 Volt, 60 hertz electrical system.

If the electrical service provided does not meet the above specifications, have a licensed electrician install an approved outlet.

Use only a 3-conductor or a 4-conductor UL-listed range cord. These cords may be provided with ring terminals on the wire and a strain relief device.

A range cord rated at 40 amps with 125/250 minimum volt range is required. A 50 amp range cord is not recommended but if used, it should be marked for use with nominal 1 3/8" diameter connection openings. Care should be taken to center the cable and strain relief within the knockout hole to keep the edge from damaging the cable.

- Because range terminals are not accessible after the range is in position, a flexible service conduit or cord must be used.

### NOTE

If the power connection is plugged in improperly, the following message appears on the display.

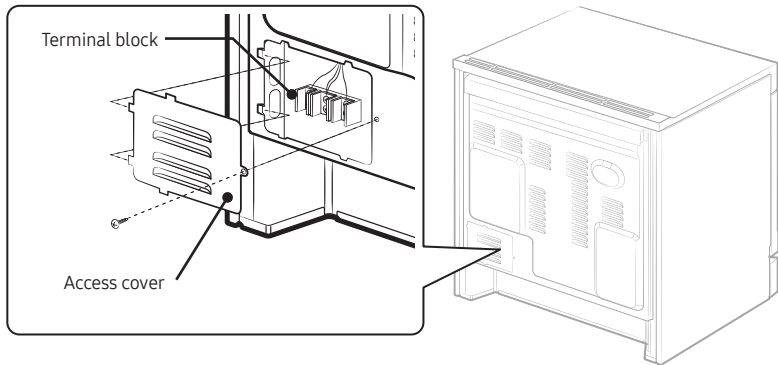
- LCD, PMOLED : Wire installation fail
- LED : bAd LinE

Reconnect the power connection properly, and the message disappears.



ALL NEW BRANCH-CIRCUIT CONSTRUCTIONS, MOBILE HOMES, RECREATIONAL VEHICLES, AND INSTALLATIONS WHERE LOCAL CODES DO NOT ALLOW GROUNDING THROUGH NEUTRAL, REQUIRE A 4-CONDUCTOR UL-LISTED RANGE CORD.

## Step 2. Accessing the power cord connection



Loosen and then remove the rear access cover screw with a screwdriver. Remove the rear access cover by pull right and then out. The terminal block will then be accessible.

### Specified rating of power-supply-cord kit and circuit protection

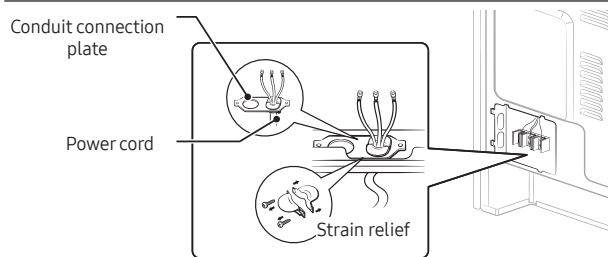
Range rating, watts		Specified rating of power-supply-cord kit and circuit protection, Amps	Diameter (inches) of range connection opening	
120/240 volts 3-wire	120/208 volts 3-wire		Power cord	Conduit
8750-16500	7801-12500	40 or 50 A	1 $\frac{3}{8}$ "	1 $\frac{1}{8}$ "

This appliance must be supplied with the proper voltage at the proper frequency and must be connected to a dedicated, properly grounded branch circuit protected by a 40 amp or larger circuit breaker.

#### NOTE

- For power cord installations, go to **Step 3** on page 4.
- For conduit installations, go to **Step 4** on page 5.

## Step 3. Installing the power cord



For power cord installations, hook the strain relief over the power cord hole (1 $\frac{3}{8}$ ") located below the rear of the drawer body. Insert the power cord through the strain relief and tighten the device.

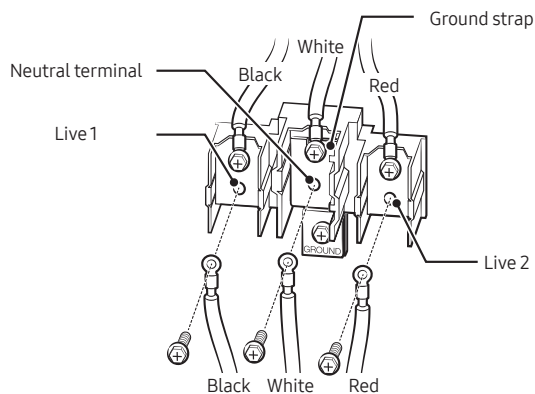
- You must install the power cord with a strain relief.**
- Attach the strain relief to the 1 $\frac{3}{8}$ " opening in the conduit connection plate.

#### CAUTION

You must check voltage after connecting power cord.

Live 1 - Neutral	120 V
Live 2 - Neutral	120 V
Live 1 - Live 2	208 V / 240 V

### Installing a 3-wire power cord

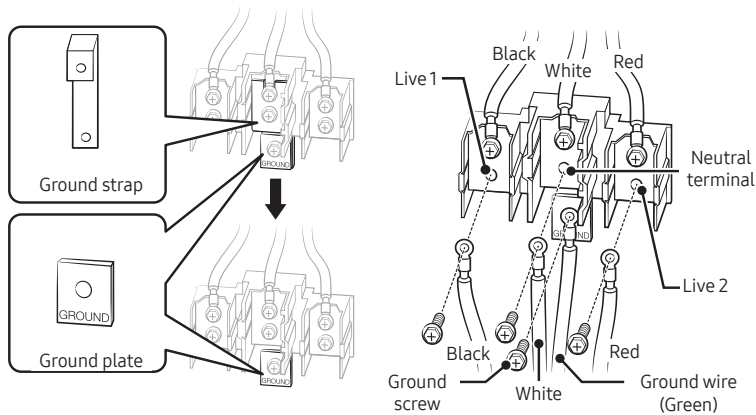


#### WARNING

The neutral or ground wire of the power cord must be connected to the neutral terminal located in the center of the terminal block. The power leads must be connected to the lower left and the lower right terminals of the terminal block.

- Remove the 3 lower terminal screws from the terminal block.
- Insert the 3 terminal screws through each power cord terminal ring and into the lower terminals of the terminal block. Be certain that the center wire (white/neutral) is connected to the center lower position of the terminal block.
- Tighten screws securely to the terminal block. **DO NOT remove the ground strap connection.**
- Go to **Step 5** on page 6 to continue with the installation.

## Installing a 4-wire power cord

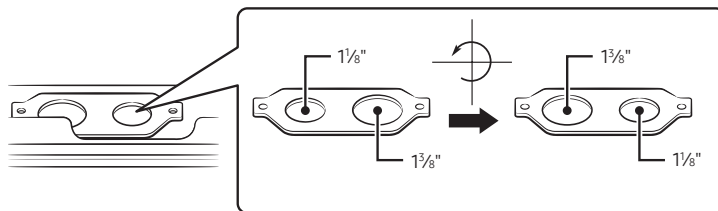


### ⚠ WARNING

The neutral wire of the supply circuit must be connected to the neutral terminal located in the lower center of the terminal block. The power leads must be connected to the lower left and the lower right terminals of the terminal block. The 4th grounding lead must be connected to the frame of the range with the ground plate and the ground screw.

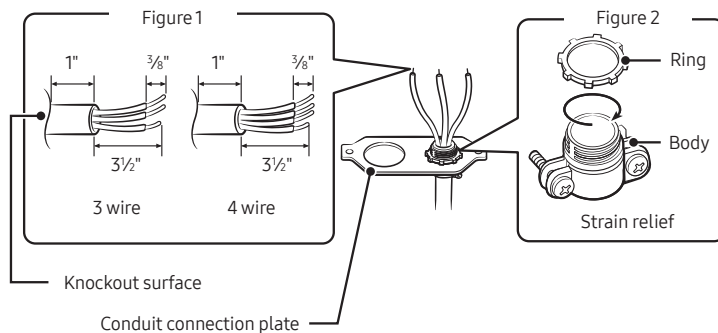
1. Remove the 3 lower terminal screws from the terminal block. Remove the ground screw and ground plate and retain them.
2. **Cut and discard the ground strap. Do not discard any screws.**
3. Insert the ground screw into the power cord ground wire terminal ring, through the ground plate, and into the frame of the range.
4. Insert the 3 terminal screws (removed earlier) through each power cord terminal ring and into the lower terminals of the terminal block. Be certain that the center wire (white/neutral) is connected to the center lower position of the terminal block. Tighten screws securely to the terminal block.
5. Go to **Step 5** on page 6 to continue with the installation.

## Step 4. Installing the conduit



Remove the conduit connection plate and rotate it as shown below.

The conduit hole (1 1/8") must be used.



1. Prepare the conduit cord as shown in Figure 1.
2. Install the conduit cord as shown in Figure 2.

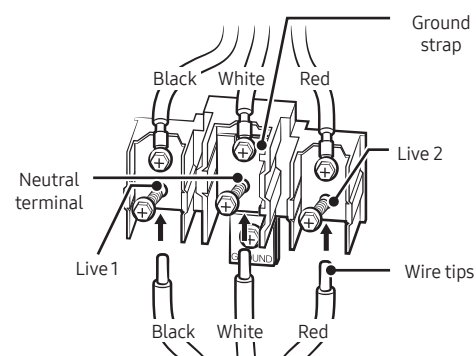
For conduit installations, insert the strain relief (not included) into the conduit hole (1 1/8"). Then thread the conduit cord through the body of the strain relief and fasten the ring. Reinstall the bracket.

### ⚠ CAUTION

You must check voltage after connecting power cord.

Live 1 - Neutral	120 V
Live 2 - Neutral	120 V
Live 1 - Live 2	208 V / 240 V

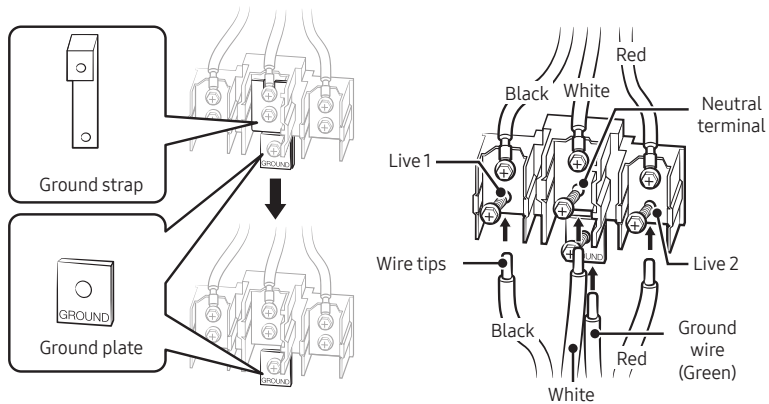
## Installing a 3-wire conduit



- Aluminum building wire may be used but it must be rated for the correct amperage and voltage. Connect the wires as described below.
- The wire you use, the location and enclosure of splices, etc., must conform to good wiring practices and local codes.

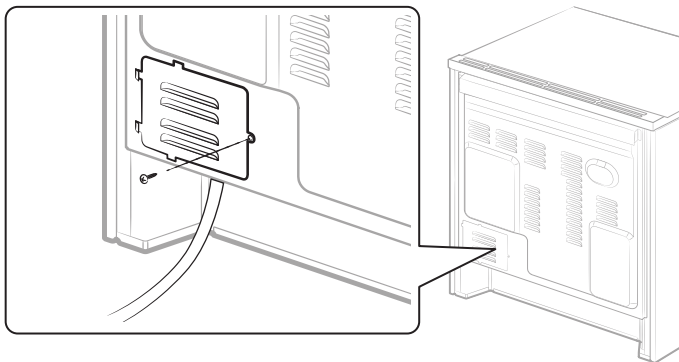
1. Loosen the 3 lower terminal screws from the terminal block.
2. Insert the center bare wire (white/neutral) tip through the bottom center terminal block opening. On certain models, the wire will need to be inserted through the ground strap opening and then into the bottom center block opening.
3. Insert the two side bare wire tips into the lower left and the lower right terminal block openings.
4. Tighten the screws until the wire is firmly secured (35 to 50 inch-lbs.). Do not over-tighten the screws since it could damage the wires.
5. Go to **Step 5** on page 6 to continue with the installation.

## Installing a 4-wire conduit



- Aluminum building wire may be used but it must be rated for the correct amperage and voltage to make the connection. Connect the wires as described below.
  - The wire you use, the location and enclosure of splices, etc., must conform to good wiring practices and local codes.
1. Loosen the 3 lower terminal screws from the terminal block. Remove the ground screw and ground plate and retain them.
  2. **Cut and discard the ground strap. Do not discard any screws.**
  3. Insert the ground bare wire tip between the range frame and the ground plate (removed earlier) and secure it in place with the ground screw (removed earlier).
  4. Insert the bare wire (white/neutral) tip through the bottom center of the terminal block opening.
  5. Insert the two side bare wire tips into the lower left and the lower right terminal block openings.
  6. Tighten the screws until the wire is firmly secured (35 to 50 inch-lbs.). Do not over-tighten the screws since it could damage the wires.
  7. Go to **Step 5** on page 6 to continue with the installation.

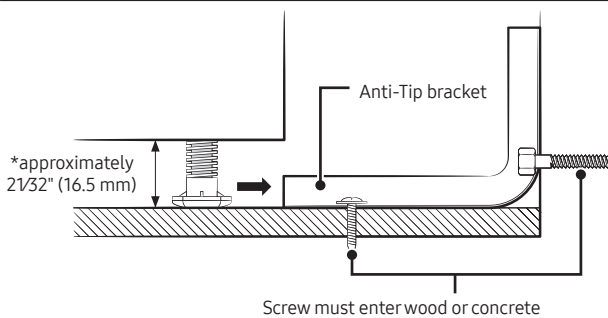
## Step 5. Replacing the access cover



To replace the rear access cover on the range back. Insert the double projections on the bottom of the cover into the pockets located below the opening, and then insert and tighten the rear access cover screw.

## Installing the range

### Installing the anti-tip device



#### ⚠ WARNING

To reduce the risk of tipping, you must secure the appliance by properly installing the Anti-Tip device packed with the appliance.

- Refer to the installation instructions supplied with the bracket.
- If the anti-tip device is not installed properly, an adult or child stepping on or sitting on the range door could tip the range and suffer serious injuries caused by spilled hot liquids or by the range itself.

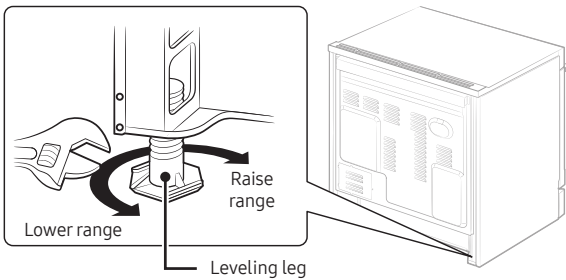
#### 📖 NOTE

To install the Anti-Tip bracket, release the leveling leg. A minimum clearance of  $2\frac{1}{32}$ " (16.5 mm) is required between the range bottom and the kitchen floor.

## 1. Install the bracket using the template

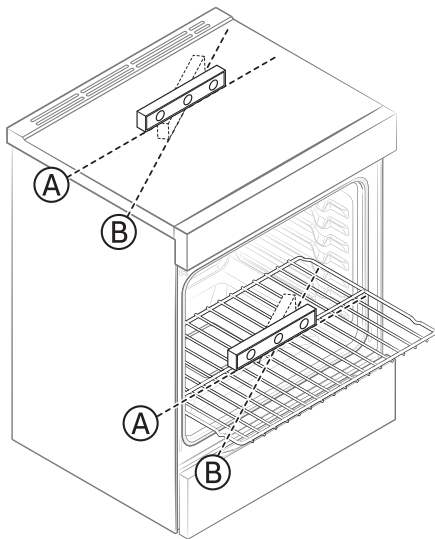
The Anti-Tip bracket is packaged with a template. The instructions include information necessary to complete the installation. Read and follow the instructions on the sheet (template) for range installation.

## 2. Level the range



Level the range by adjusting the leveling legs with a wrench.

## 3. Check your adjustments

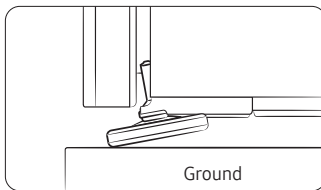


Use a spirit level to check your adjustments. Place the level diagonally on the oven rack or surface cooktop, and confirm the range is level in the two directions shown below.

**A.** Check direction A.

**B.** Check direction B.

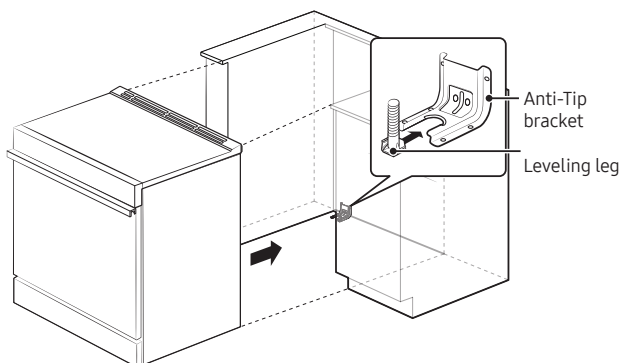
If the spirit level indicates that the range is not level, adjust the leveling legs with a wrench.



### ⚠ CAUTION

For your safety, do not attempt to modify or straighten front legs. Front leveling legs on the range are designed to be slanted to prevent accidental tipping.

## Finalizing the installation



- Move range close enough to the opening to plug into the receptacle.
- Slide the range into position ensuring that the rear left (or rear right) leg slides under the Anti-Tip bracket.
- Carefully tip the range forward to insure that the Anti-Tip bracket engages the back brace and prevents tip-over.
- Turn on the electrical power. Check the range for proper operation as described in the user manual.



# ESTUFA ELÉCTRICA

## Manual de instalación

### Dispositivo antinclinación

#### ⚠ ADVERTENCIA

Para reducir el riesgo de inclinación, el artefacto debe fijarse instalando correctamente la ménsula antinclinación incluida con el artefacto.



- Es posible que un niño o adulto incline la estufa y sufra consecuencias fatales.
- Instale el dispositivo antinclinación correctamente en la parte posterior derecha (o parte posterior izquierda) de la parte inferior de la estufa.
- Coloque la estufa en el dispositivo antinclinación nivelando la pata en la parte posterior derecha (o la parte posterior izquierda) de la parte inferior de la estufa.
- Vuelva a colocar el dispositivo antinclinación si la estufa se mueve.
- Consulte las instrucciones de instalación para obtener información.
- De lo contrario, podría provocar quemaduras graves o incluso la muerte en niños o adultos.

### Acerca de este manual

LEA ESTAS INSTRUCCIONES EN SU TOTALIDAD Y CUIDADOSAMENTE.

#### Nota importante para el instalador

- Lea todas las instrucciones de instalación antes de proceder con la instalación de la estufa.
- Retire todos los materiales de empaquetado de los compartimientos del horno antes de conectar el suministro eléctrico y de gas a la estufa.
- Cumpla con todos los códigos y ordenanzas exigidos por las autoridades pertinentes.
- Guarde estas instrucciones para que puedan ser consultadas por el inspector local encargado de la electricidad.
- Asegúrese de dejar estas instrucciones al usuario.

#### Nota importante para el usuario

Guarde estas instrucciones para que puedan ser consultadas por el inspector local encargado de la electricidad.

- Como cualquier artefacto que genera calor con su uso, debe seguir ciertas precauciones de seguridad.
- Asegúrese de que un instalador o técnico de servicio calificado haya instalado y conectado a tierra su estufa correctamente.
- Para que la estufa se ventile correctamente, asegúrese de que las ventilaciones no estén bloqueadas ni cubiertas y que haya distancia suficiente arriba, atrás, en los costados y debajo de la estufa. Las ventilaciones permiten la salida de aire necesaria para que la estufa funcione adecuadamente con la combustión correcta y se obtengan buenos resultados de cocción.
- Asegúrese de que los revestimientos de las paredes alrededor de la estufa puedan soportar el calor que genera.
- Evite tener un espacio de almacenamiento en el gabinete sobre la placa de cocción para que no tenga que manipular elementos de la superficie.
- La estufa no debe colocarse sobre una base.

### Para su seguridad

#### ⚠ ADVERTENCIA

- No seguir las instrucciones de este manual con exactitud puede provocar un incendio o descargas eléctricas que podrían ocasionar daños materiales, lesiones o la muerte.
- Antes de instalar el artefacto, desconecte la alimentación en el panel de servicio y bloquee el interruptor de desconexión de servicio para evitar que la alimentación se conecte de forma accidental. Si no se puede bloquear el interruptor de desconexión de servicio, fije en él, de manera segura, un dispositivo de advertencia que se destaque, como por ejemplo, una etiqueta.
- Este artefacto debe estar correctamente conectado a tierra.

# SAMSUNG

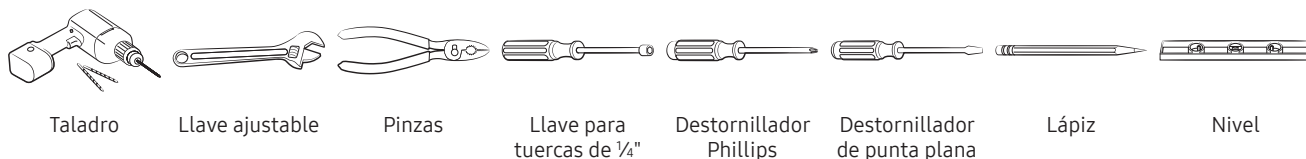


DG68-01623A-01

# Preparar la instalación de la estufa

## Preparar las herramientas y las piezas

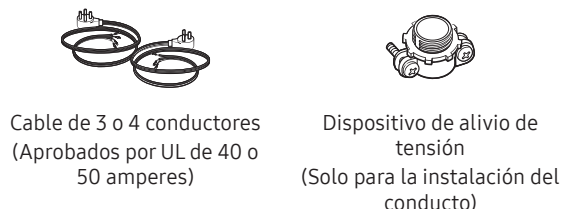
### Herramientas que necesitará



### Qué incluye la estufa



### Materiales adicionales que puede necesitar



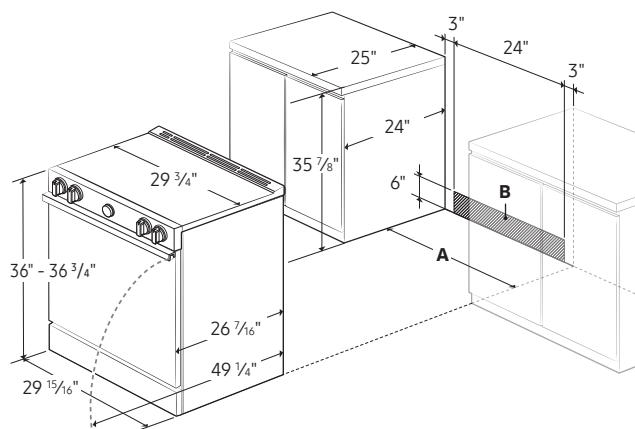
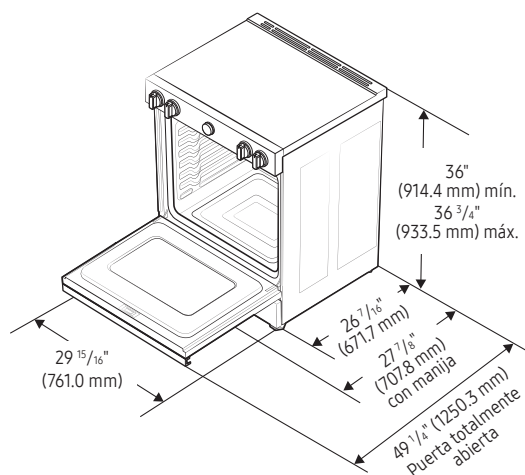
## Revisar el emplazamiento de instalación

### Distancias y dimensiones

Para instalar la estufa, consulte la siguiente figura.

#### ⚠ PRECAUCIÓN

Esta estufa fue diseñada para cumplir con las temperaturas máximas permitidas del gabinete de madera de 194 °F. Asegúrese de que el revestimiento de las paredes, las mesadas y los gabinetes alrededor de la estufa puedan soportar el calor (hasta 194 °F) generado por la estufa. Si no lo soportan, puede ocurrir decoloración, delaminación o derretimiento.



- A. Abertura del gabinete minuto 30" (76.2 cm)
- B. Área aceptable del tomacorriente eléctrico

**IMPORTANTE:** Si los gabinetes tienen más de 36 3/4" de alto, debe instalar esta estufa sobre un soporte duro y resistente al calor que eleve la superficie de la estufa para que quede nivelada con respecto a la mesada.

#### ⚠ PRECAUCIÓN

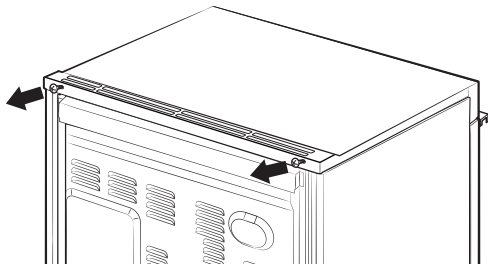
Debe utilizar el kit de relleno trasero para instalar la estufa en un gabinete independiente. Para obtener más información, consulte la sección "Kit de relleno trasero opcional" como se muestra a continuación.

#### 📖 NOTA

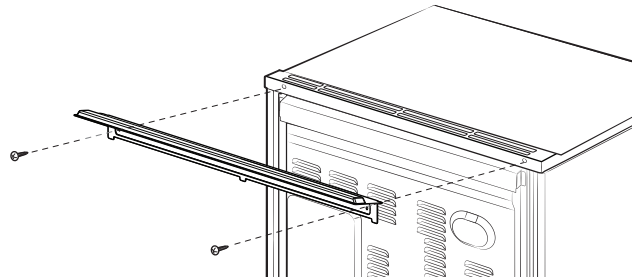
Si instala el producto en una isla de cocina, debe mantener un mínimo de 2 1/2" desde el corte de la mesada hasta el borde posterior de esta y un mínimo de 3" desde el corte de la mesada hasta los bordes laterales de esta.

## Kit de relleno trasero opcional

Se usa para rellenar la brecha entre la parte posterior de la estufa y la pared. Se agrega una banda de relleno a la parte trasera de la estufa. Este kit solo puede usarse cuando la abertura de la mesada es de 25" de profundidad.



1. Desatornille los tornillos que fijan la cubierta de ventilación.

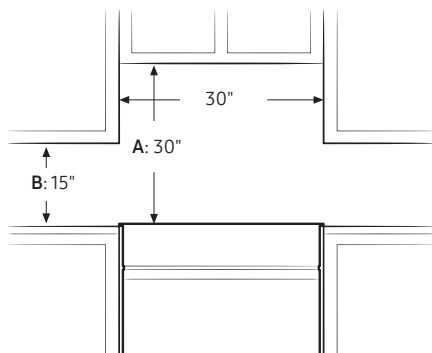


2. Monte la banda de relleno a la parte posterior de la estufa con los tornillos que retiró.

### NOTA

Si la profundidad de la mesada es superior a 25", habrá una separación entre el kit de relleno y la pared posterior.

## Dimensiones mínimas



**IMPORTANTE:** Para eliminar el riesgo de quemaduras o incendios al intentar alcanzar objetos sobre las unidades de superficie calientes, evite que el espacio de almacenamiento del gabinete esté situado por encima de las unidades de superficie. Si dispone de espacio de almacenamiento en los gabinetes sobre los elementos de calentamiento, puede reducir el riesgo al instalar una campana extractora que sobresalga horizontalmente por un mínimo de 5 pulgadas por encima de la parte inferior de los gabinetes.

- A. Se requiere una distancia mínima de 30" entre la parte superior de la superficie de cocción y la parte inferior de un gabinete de madera o metal sin protección; o un mínimo de 24" si la parte inferior del gabinete de madera o metal está protegida por no menos de 1/4" de cartón fresado retardante de llama cubierto con chapa de acero MSG no inferior al acero inoxidable n.º 28 de 0.015", aluminio de 0.024" o cobre de 0.020".
- B. Se requiere una distancia mínima de 15" entre la mesada y la parte inferior del gabinete adyacente.

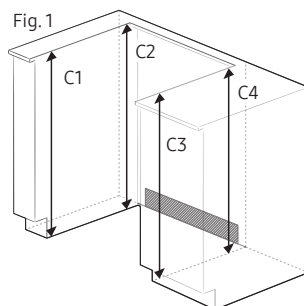
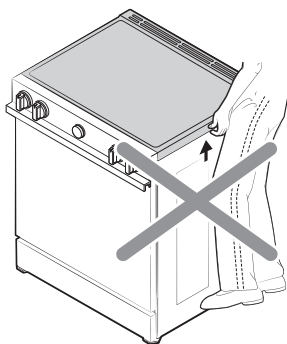
### PRECAUCIÓN

Es posible que las ventilaciones despidan vapores. Es normal, pero deberá tener precaución, ya que pueden ser muy calientes. Dependiendo del material de la pared, los vapores calientes pueden mancharla.

## Para evitar roturas

### PRECAUCIÓN

NO levante ni manipule la unidad mediante el vidrio de la placa de cocción o la manija de la puerta.



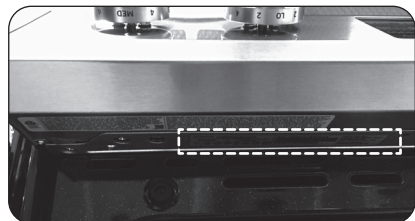
- 1. La mesada alrededor del borde debe estar plana y nivelada.
- 2. Antes de instalar la unidad, mida las alturas de los dos laterales del gabinete (C1-C4), frontal y posterior (consulte la Fig. 1) desde el suelo hasta la parte superior de la mesada.
- 3. Nivele la estufa utilizando las cuatro patas niveladoras de modo que la altura desde el suelo a la parte inferior del marco del vidrio de la placa de cocción sea mayor que la medida del gabinete más alto en al menos 1/16".
- 4. Deslice la unidad en el gabinete (**NO EMPUJE FUERTEMENTE LA UNIDAD**). Asegúrese de que el centro de la unidad esté alineado con el centro del borde del gabinete.

# Conectar la alimentación

## Paso 1. Cumplir los requisitos de conexión eléctrica

### PRECAUCIÓN

Por su seguridad personal, no utilice un alargue con este artefacto. Retire el fusible de la casa o abra el disyuntor antes de comenzar la instalación.



Este artefacto debe ser alimentado con el voltaje y la frecuencia adecuados, y conectado a un circuito derivado individual debidamente con conexión a tierra y protegido por un disyuntor o fusible con el amperaje especificado en la placa de especificaciones. La placa de especificaciones se encuentra en la parte inferior del panel de control.

Le recomendamos que encargue la instalación eléctrica de su estufa a un electricista calificado. Después de la instalación, pídale a su electricista que le muestre dónde está la desconexión principal de la estufa.

Consulte a la empresa eléctrica local los códigos eléctricos vigentes en su zona. Si no se realiza el cableado en el horno de acuerdo con las normas vigentes, pueden producirse situaciones de peligro. Si no existen códigos locales, su estufa debe estar cableada y con fusibles que cumplan los requisitos del Código Eléctrico Nacional, ANSI/NFPA N.º 70-Última edición. Puede obtener una copia en la siguiente dirección:

Asociación Nacional de Protección contra Incendios  
Batterymarch Park  
Quincy, MA 02269

Desde el 1.º de enero de 1996, el Código Eléctrico Nacional exige que las construcciones nuevas (no existentes) se realicen con una conexión de 4 conductores a una estufa eléctrica.

Cuando instale una estufa eléctrica en una construcción nueva, siga los pasos 2 y 3 para la conexión de 4 cables.

Debe usar una CA monofásica con cables de 3 o 4 conductores. Sistema eléctrico de 208Y/120 voltios o 240/120 voltios, 60 hercios.

Si el servicio eléctrico suministrado no cumple las especificaciones anteriores, solicite a un electricista autorizado que instale un tomacorriente eléctrico aprobado.

Utilice únicamente un cable de estufa aprobado por UL de 3 o 4 conductores. Estos cables pueden estar provistos de terminales de anillo en el cable y un dispositivo de alivio de tensión.

Se requiere un cable de estufa de 40 amperes con un alcance mínimo de 125/250 voltios. No se recomienda un cable de estufa de 50 amperes, pero si se utiliza, debe estar marcado para su uso con aberturas de conexión de 1 3/8" de diámetro nominal. Se debe tener cuidado de centrar el cable y el dispositivo de alivio de tensión dentro del orificio ciego para evitar que el borde dañe el cable.

- Dado que no se puede acceder a los terminales de la estufa una vez colocada, se debe utilizar un conducto o cable de servicio flexible.

### NOTA

Si el cable de alimentación se enchufa de forma incorrecta, aparece el siguiente mensaje en la pantalla.

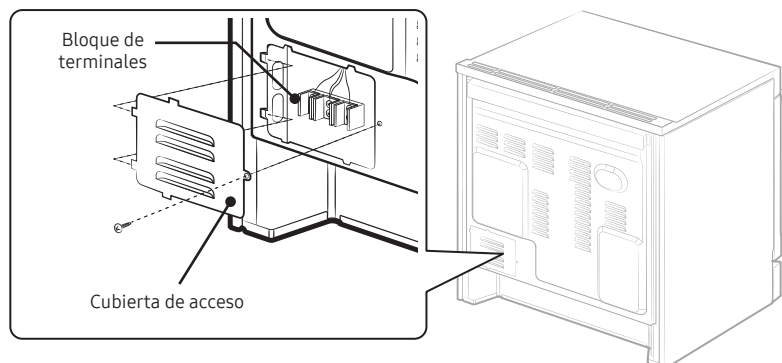
- LCD, PMOLED: Wire installation fail (Falla en la instalación del conductor)
- LED: bAd LinE (Línea incorrecta)

Reconecte el cable de alimentación de forma correcta para que el mensaje desaparezca.



**TODAS LAS CONSTRUCCIONES NUEVAS DE CIRCUITOS DERIVADOS, CASAS RODANTES, VEHÍCULOS RECREATIVOS E INSTALACIONES EN LAS QUE LOS CÓDIGOS LOCALES NO PERMITEN LA CONEXIÓN A TIERRA A TRAVÉS DEL NEUTRO, REQUIEREN UN CABLE DE AUTONOMÍA DE 4 CONDUCTORES APROBADO POR UL.**

## Paso 2. Acceder a la conexión del cable de alimentación



Afloje y retire con un destornillador el tornillo de la cubierta de acceso posterior. Retire la cubierta de acceso posterior jalando hacia la derecha y luego hacia afuera. Así tendrá acceso al bloque de terminales.

## Potencia nominal especificada del kit de cable de alimentación y la protección del circuito

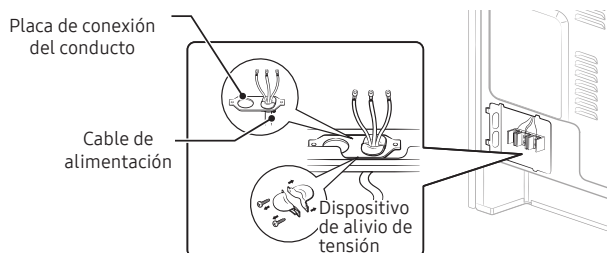
Potencia nominal, vatios		Potencia nominal especificada del kit de cable de alimentación y la protección del circuito, amperes	Diámetro (pulgadas) de la abertura de conexión de la estufa	
3 conductores de 120/240 voltios	3 conductores de 120/208 voltios		Cable de alimentación	Conducto
8750-16500	7801-12500	40 o 50 A	1 <sup>3</sup> / <sub>8</sub> "	1 <sup>1</sup> / <sub>8</sub> "

Este artefacto debe suministrarse con el voltaje y frecuencia adecuados y debe conectarse a un circuito dedicado, derivado con una debida conexión a tierra y protegido por un disyuntor de 40 amperes o mayor.

### NOTA

- Para las instalaciones del cable de alimentación, consulte el Paso 3 en la página 4.
- Para las instalaciones del conducto, consulte el Paso 4 en la página 5.

## Paso 3. Instalar el cable de alimentación



Para la instalación del cable de alimentación, enganche el dispositivo de alivio de tensión sobre el orificio del cable de alimentación (1<sup>3</sup>/<sub>8</sub>" situado debajo de la parte posterior del cajón. Introduzca el cable de alimentación a través del dispositivo de alivio de tensión y ajuste el dispositivo.

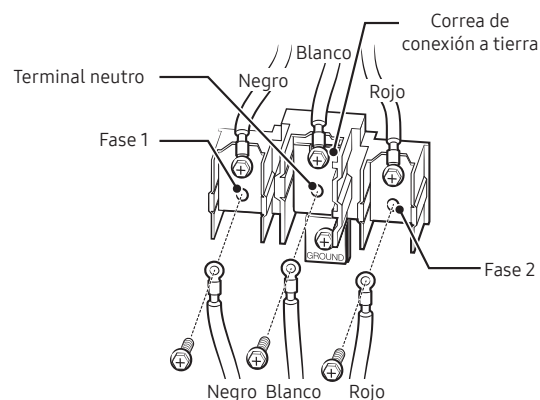
- Debe instalar el cable de alimentación con un dispositivo de alivio de tensión.
- Coloque el dispositivo de alivio de tensión en la abertura de 1<sup>3</sup>/<sub>8</sub>" de la placa de conexión del conducto.

### PRECAUCIÓN

Debe revisar el voltaje luego de conectar el cable de alimentación.

Fase 1: neutro	120 V
Fase 2: neutro	120 V
Fase 1- Fase 2	208 V/240 V

## Instalar un cable de alimentación de 3 conductores

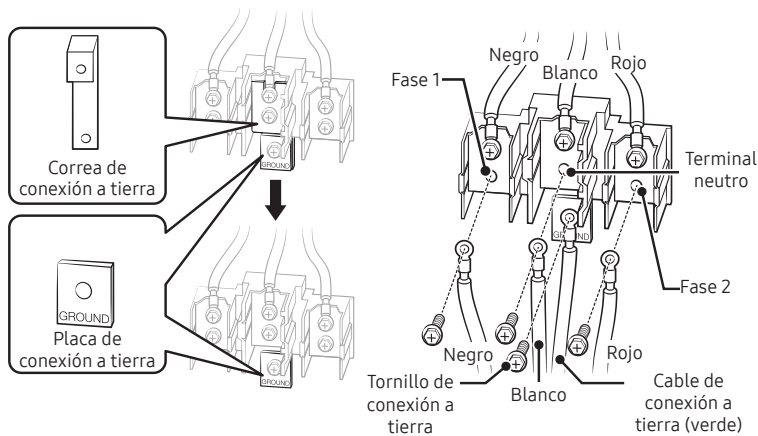


### ADVERTENCIA

El conductor neutro o de conexión a tierra del cable de alimentación debe conectarse al terminal neutro situado en el centro del bloque de terminales. Los cables de alimentación deben conectarse a los terminales inferior izquierdo e inferior derecho del bloque de terminales.

1. Retire los 3 tornillos del terminal inferior del bloque de terminales.
2. Inserte los 3 tornillos de los terminales a través de cada anillo terminal del cable de alimentación y en los terminales inferiores del bloque de terminales. Asegúrese de que el cable central (blanco/neutro) esté conectado a la posición central inferior del bloque de terminales.
3. Ajuste los tornillos en el bloque de terminales. **NO retire la conexión de la correa de conexión a tierra.**
4. Vaya al Paso 5 en la página 6 y proceda con la instalación.

## Instalar un cable de alimentación de 4 conductores

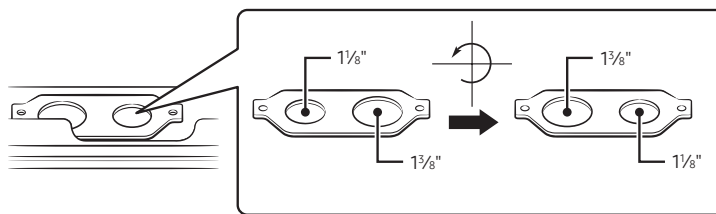


### ⚠ ADVERTENCIA

El conductor neutro del circuito de suministro debe conectarse al terminal neutro situado en el centro del bloque de terminales. Los cables de alimentación deben conectarse a los terminales inferior izquierdo e inferior derecho del bloque de terminales. El cuarto cable de conexión a tierra debe conectarse al marco de la estufa con la placa y el tornillo de conexión a tierra.

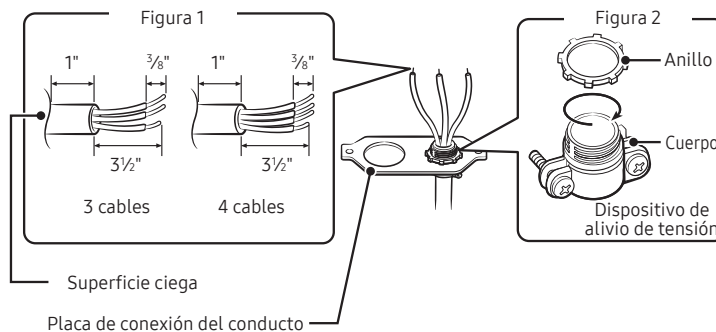
1. Retire los 3 tornillos del terminal inferior del bloque de terminales. Retire el tornillo y la placa de conexión a tierra y guárdelos.
2. **Corte y tire la correa de conexión a tierra. No deseches los tornillos.**
3. Inserte el tornillo de conexión a tierra en el anillo terminal del cable de alimentación, a través de la placa de conexión a tierra, y en el marco de la estufa.
4. Inserte los 3 tornillos de los terminales (que había retirado antes) a través de cada anillo terminal del cable de alimentación y en los terminales inferiores del bloque de terminales. Asegúrese de que el cable central (blanco/neutro) esté conectado a la posición central inferior del bloque de terminales. Ajuste bien los tornillos en el bloque de terminales.
5. Vaya al Paso 5 en la página 6 y proceda con la instalación.

## Paso 4. Instalar el conducto



Retire la placa de conexión del conducto y gírela como se muestra a continuación.

Debe usarse el orificio del conducto (1 1/8").



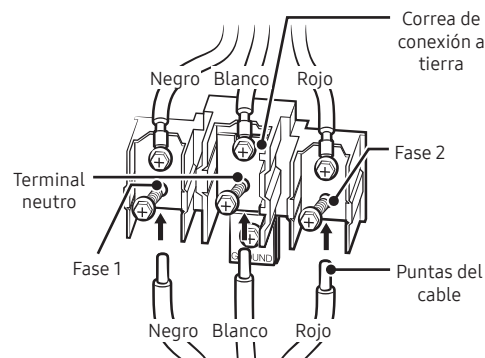
1. Prepare el cable del conducto como se muestra en la Figura 1.
2. Instale el cable del conducto como se muestra en la Figura 2. Para instalaciones de conducto, inserte el dispositivo de alivio de tensión (no incluido) en el orificio del conducto (1 1/8"). Luego, pase el cable del conducto por el cuerpo del dispositivo de alivio de tensión y ajuste el anillo. Vuelva a instalar la ménsula.

### ⚠ PRECAUCIÓN

Debe revisar el voltaje luego de conectar el cable de alimentación.

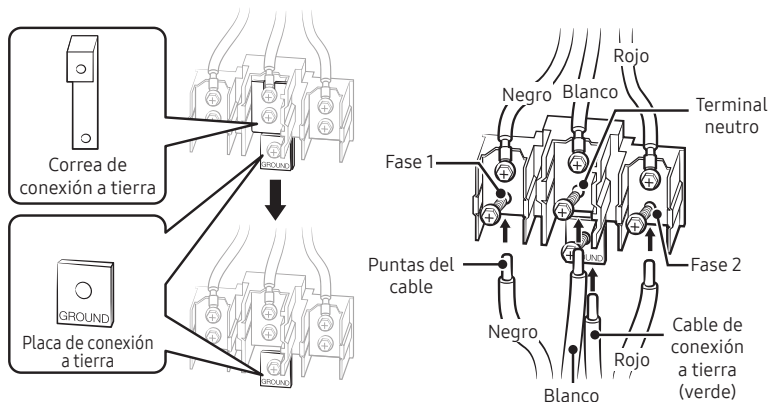
Fase 1: neutro	120 V
Fase 2: neutro	120 V
Fase 1- Fase 2	208 V/240 V

## Instalar un conducto de 3 conductores



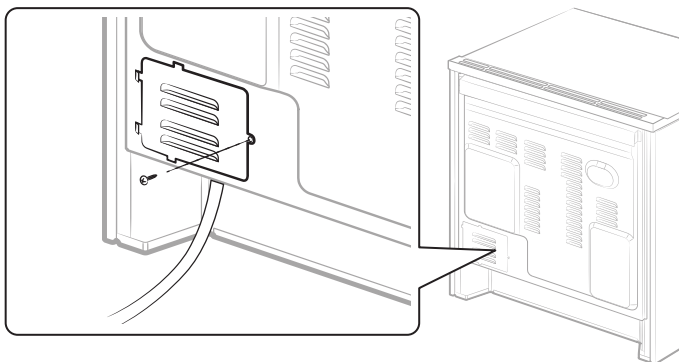
- Se puede utilizar cable de aluminio para la construcción, pero debe tener el amperaje y el voltaje adecuados. Conecte los cables como se describe a continuación.
  - El cableado utilizado, la ubicación y los blindajes de los empalmes, etc., deben ajustarse a las prácticas recomendadas de cableado y a los códigos locales.
1. Afloje los 3 tornillos del terminal inferior del bloque de terminales.
  2. Introduzca la punta del cable pelado central (blanco/neutro) a través de la abertura central inferior del bloque de terminales. En ciertos modelos, el cable tendrá que insertarse a través de la abertura de la correa de conexión a tierra y luego en la abertura del bloque central inferior.
  3. Inserte las dos puntas de los cables pelados laterales en las aberturas del bloque de terminales inferior izquierdo e inferior derecho.
  4. Apriete los tornillos hasta que el cable quede firmemente sujeto (entre 35 y 50"-lb). No ajuste los tornillos en exceso porque puede dañar los cables.
  5. Vaya al Paso 5 en la página 6 y proceda con la instalación.

## Instalar un conducto de 4 conductores



- Se puede utilizar cable de aluminio para la construcción, pero debe tener el amperaje y la tensión adecuados para realizar la conexión. Conecte los cables como se describe a continuación.
  - El cableado utilizado, la ubicación y los blindajes de los empalmes, etc., deben ajustarse a las prácticas recomendadas de cableado y a los códigos locales.
1. Afloje los 3 tornillos del terminal inferior del bloque de terminales. Retire el tornillo y la placa de conexión a tierra y guárdelos.
  2. **Corte y tire la correa de conexión a tierra. No deseche los tornillos.**
  3. Introduzca la punta del cable desnudo de conexión a tierra entre el bastidor de la estufa y la placa de conexión a tierra (desmontada anteriormente). Luego fíjela en su sitio con el tornillo de conexión a tierra (desmontado anteriormente).
  4. Introduzca la punta del cable pelado (blanco/neutro) a través de la abertura central inferior del bloque de terminales.
  5. Inserte las dos puntas de los cables pelados laterales en las aberturas del bloque de terminales inferior izquierdo e inferior derecho.
  6. Apriete los tornillos hasta que el cable quede firmemente sujeto (entre 35 y 50"-lb). No ajuste los tornillos en exceso porque puede dañar los cables.
  7. Vaya al Paso 5 en la página 6 y proceda con la instalación.

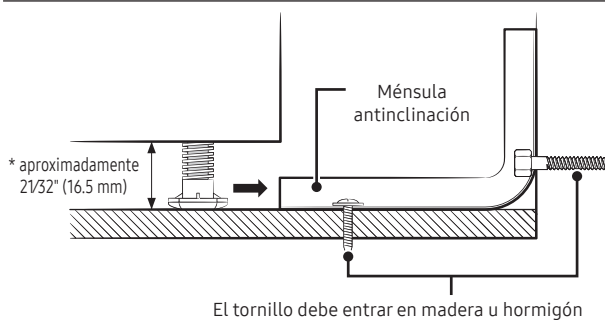
## Paso 5. Reemplazar la cubierta de acceso



Reemplace la cubierta de acceso posterior en la parte posterior de la estufa. Inserte las dos pestañas de la parte inferior de la cubierta en las cavidades ubicadas debajo de la abertura y, luego inserte y ajuste el tornillo de la cubierta de acceso posterior.

## Instalar la estufa

### Instalar la ménsula antinclinación



#### ⚠ ADVERTENCIA

Para reducir el riesgo de inclinación, debe fijar el aparato instalando correctamente la ménsula antinclinación incluida con el artefacto.

- Consulte las instrucciones de instalación proporcionadas con la ménsula.
- Si el dispositivo antinclinación no se instala adecuadamente, un niño o un adulto que pise o se siente en la puerta de la estufa podría inclinarla y sufrir lesiones graves por derrame de líquidos calientes o por la estufa misma.

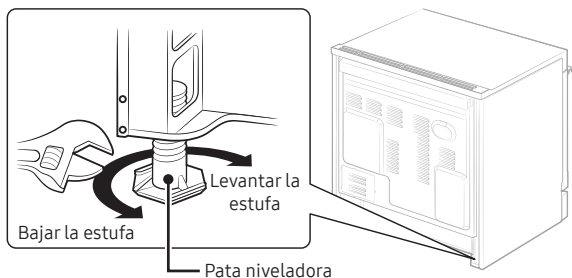
#### 📖 NOTA

Para instalar la ménsula antinclinación libere la pata niveladora. Se requiere una distancia mínima de  $2\frac{1}{32}$ " (16,5 mm) entre la parte inferior de la estufa y el suelo de la cocina.

## 1. Instalar la ménsula con una plantilla

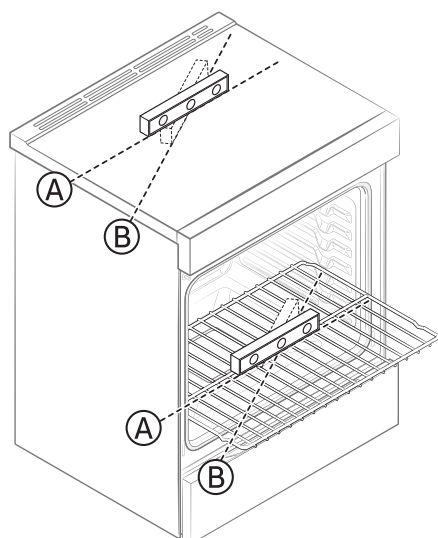
La ménsula antinclinación viene con una plantilla. Las instrucciones incluyen la información necesaria para completar la instalación. Lea y siga las instrucciones de la hoja (plantilla) para la instalación de la estufa.

## 2. Nivelar la estufa



Nivele la estufa regulando las patas niveladoras con una llave.

## 3. Revisar los ajustes

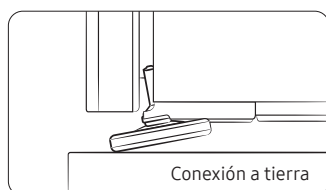


Utilice un nivel de burbuja de aire para controlar los ajustes. Coloque el nivel en diagonal sobre la parrilla del horno o la superficie de la placa de cocción y confirme que la estufa esté nivelada en las dos direcciones que se muestran a continuación.

**A.** Revise la dirección A.

**B.** Revise la dirección B.

Si el nivel de burbuja indica que la estufa no está nivelada, regule las patas de nivelación con una llave.

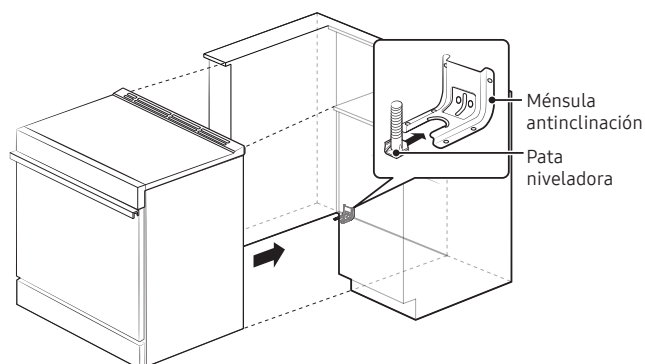


Conexión a tierra

### ⚠ PRECAUCIÓN

Para su seguridad, no intente modificar o enderezar las patas frontales. Las patas niveladoras frontales de la estufa están diseñadas para inclinarse y evitar una inclinación accidental.

## Finalizar la instalación



- Mueva la estufa lo suficientemente cerca de la abertura para conectarla al receptáculo.
- Deslice la estufa en posición asegurándose de que la pata izquierda posterior (o la pata derecha posterior) se deslice por debajo de la ménsula antinclinación.
- Con cuidado, incline la estufa hacia adelante para verificar que la ménsula antinclinación se conecta al soporte posterior e imposibilita la caída.
- Conecte el suministro eléctrico. Revise que la estufa funcione adecuadamente como se describe en el manual.