

NK30CB700W

SAMSUNG

30" Range Hood



Signature Features

Triple Air Sensor

- The Triple Air Sensor detects air quality and turns on or adjusts power levels to improve it.*

*In the event installation using recirculation kit impacts ventilation performance and Triple Air Sensor, opening a window to ventilate is recommended. Recirculation kit sold separately.

Powerful Performance and Low Noise

- Powerful 630 CFM* ventilation circulates air to remove odors quickly, operating at 6.0 sones on Boost fan speed setting.

*When using Boost mode. Hood arrives pre-programmed to 390 CFM.

Wi-Fi Connectivity

- Control your hood by smartphone through the SmartThings App. Once your cooktop burner is powered on, the hood turns on.*

*Compatible when connected with Wi-Fi enabled built-in cooktops and ranges. Available when it is set using the "Automations" option in the SmartThings App.

Available Colors



Clean White Panel/
Stainless Steel Duct



Clean Deep Charcoal Panel/
Black Stainless Steel Duct

Features

- Triple Air Sensor
- 50 dBA (1.0 Sone) in Low Mode / 69 dBA (6.0 Sones) in Boost Mode
- 4 Fan Speeds, Including Booster
- LCD Display/Touch Controls
- Wall-Mount Chimney-Style Hood
- Exterior Venting & Recirculating Capabilities
- Optional Recirculation Kit Available
- Optional Extension Kit Available
- Optional Recirculation Filter Available

Convenience

- LED Bar Lighting
- Easy-to-Clean Baffle Filters



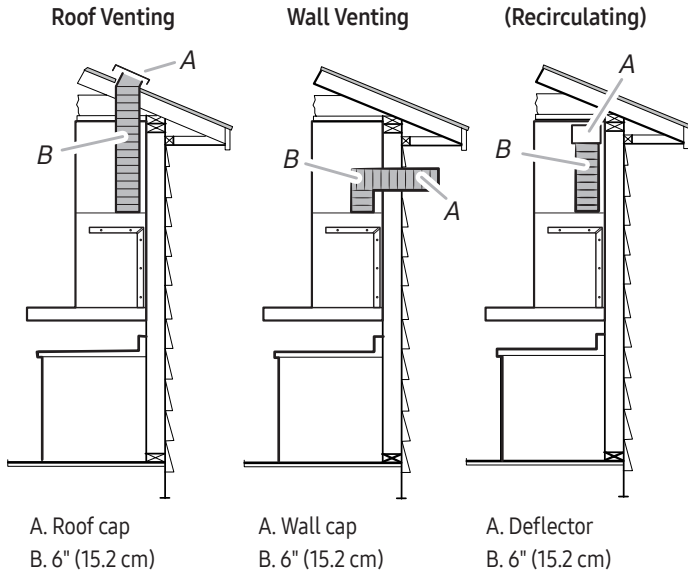
ADA Compliant

NK30CB700W

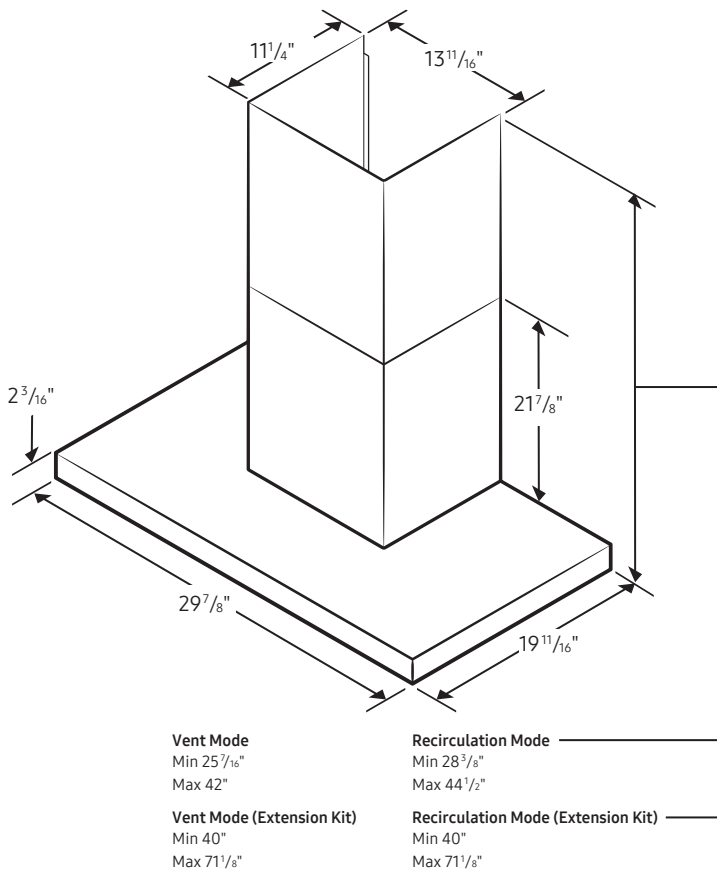
SAMSUNG

30" Range Hood

Venting Methods



Dimensions and Clearance



Total Power
210W

Power Source
120V / 60 Hz / 15A

Range Hood

- 30" Wall-Mount Chimney-Style Hood
- Vent Fan: 630 CFM (Hood arrives pre-programmed to 390 CFM)
- 50 dBA (1.0 Sone) in Low Mode / 69 dBA (6.0 Sones) in Boost Mode
- 4 Fan Speeds, Including Booster
- LCD Display/Touch Controls
- SmartThings App Automation: Cooktop/Range Connectivity, Lighting On/Off, Fan Speed
- Mobile Monitoring: Fan Speed, Lighting On/Off, Power Control
- Voice Control: Bixby/Google Assistant/Amazon Alexa
- Removable Baffle Filters (Dishwasher safe)
- LED Bar Lighting

Warranty

One (1) Year All Parts and Labor

Product Dimensions & Weight (WxHxD)

Outside (Max) Hood Dimensions:
 $29\frac{7}{8}" \times 25\frac{7}{16}" \times 19\frac{11}{16}"$

Weight: 35.7 lbs

Shipping Dimensions & Weight (WxHxD)

Dimensions:
 $33\frac{3}{16}" \times 25\frac{25}{32}" \times 19\frac{11}{16}"$

Weight: 59.5 lbs

Color

Clean White Panel/
Stainless Steel Duct

Model

NK30CB700W12AA

UPC Code

887276724201

Clean Grey Panel/
Stainless Steel Duct

NK30CB700WCGAA

887276724225

Clean Deep Charcoal
Panel/Black Stainless
Steel Duct

NK30CB700W33AA

887276724218

Optional Accessories

Stainless Steel Hood
Extension Kit

NK-AE7000WS

887276749662

Black Stainless Steel
Hood Extension Kit

NK-AE7000WG

887276749655

Recirculation Kit

NK-AR7000WB

887276749686

Recirculation Filter

NK-AF7000WB

887276749679