

Range Hood Hotte de la cuisine Campana de cocina

Installation Instructions Guide

Guide d'instructions d'installation

Guía de Instrucciones para Instalación

NK30B3000US/AA



Table of Contents

Important Safety Instructions **3**

Electrical Requirements	5
Venting Requirements (ducted models only)	5
Venting Methods	5
Cold Weather Installations	5
Makeup Air	5

Installation Requirements **5**

Tools and Parts	6
Dimensions and Clearances	6
Installation Instructions	7
Venting Methods	7
Prepare the location	7

Installation Instructions **7**

Prepare Range Hood	8
Mark Hole Locations	8
Mark and Cut Vent Opening	9
Drill Electrical Opening	9
Prepare Range Hood Vents	9
Attach Vent Damper or Transition	9
Mounting the Hood	10
Connect Vent System	10
Electrical Connection	10
Completing the Installation	10

Range Hood Use and Care **11**

Range Hood Description	11
Range Hood Controls	11
Cleaning	11
Metal Grease Filter	11
Charcoal Filter	11
Replacing the LED Lamp	11
Range Hood for ADA Compliance	12

warranty (USA) **13**

warranty (Canada) **14**

Important Safety Instructions

APPROVED FOR RESIDENTIAL APPLIANCES FOR RESIDENTIAL USE ONLY READ AND SAVE THESE INSTRUCTIONS

PLEASE READ ENTIRE INSTALLATION GUIDE BEFORE PROCEEDING. INSTALLATION MUST COMPLY WITH ALL LOCAL CODES.

- IMPORTANT:** Save these Instructions for the Local Electrical Inspector's use.
- INSTALLER:** Please leave these Instructions with this unit for the owner.
- OWNER:** Please retain these instructions for future reference.

Symbols used in this manual

WARNING

Hazards or unsafe practices that may result in severe personal injury or death.

CAUTION

Hazards or unsafe practices that may result in electric shock, personal injury, or property damage.

NOTE

Useful tips and instructions.

These warning icons and symbols are here to prevent injury to you and others.

Please follow them explicitly. After reading this section, keep it in a safe place for future reference.

WARNING

Turn off power circuit at service panel and lock out panel before wiring this appliance.

Requirement 120 VAC, 60 Hz. 15 or 20 A Branch Circuit

WARNING

Cancer and Reproductive Harm - www.P65Warnings.ca.gov

1. FCC Notice

CAUTION

FCC CAUTION: Any changes or modifications not expressly approved by the party responsible for compliance could void the user's authority to operate the equipment.

This device complies with Part 15 of FCC Rules. Operation is Subject to following two conditions:

- 1) This device may not cause harmful interference, and
- 2) This device must accept any interference received including interference that cause undesired operation.

For products sold in the US and Canadian markets, only channels 1~11 are available. You cannot select any other channels.

FCC STATEMENT:

This equipment has been tested and found to comply within the limits for a Class B digital device, pursuant to part 15 of the FCC Rules. These limits are designed to provide reasonable protection against harmful interference in a residential installation.

This equipment generates, uses, and can radiate radio frequency energy and, if not installed and used in accordance with the instructions, may cause harmful interference to radio communications.

However, there is no guarantee that interference will not occur in a particular installation. If this equipment does cause harmful interference to radio or television reception, which can be determined by turning the equipment off and on, the user is encouraged to try to correct the interference by one or more of the following measures:

- Reorienting or relocating the receiving antenna
- Increasing the separation between the equipment and receiver
- Connecting the equipment to an outlet that is on a different circuit than the radio or TV.
- Consulting the dealer or an experienced radio/TV technician for help.

FCC RADIATION EXPOSURE STATEMENT:

This equipment complies with FCC radiation exposure limits set forth for an uncontrolled environment. This equipment should be installed and operated so there is at least 8 inches (20 cm) between the radiator and your body. This device and its antenna(s) must not be co-located or operated in conjunction with any other antenna or transmitter.

2. IC Notice

The term "IC" before the radio certification number only signifies that Industry Canada technical specifications were met. Operation is subject to the following two conditions: (1) this device may not cause interference, and (2) this device must accept any interference, including interference that may cause undesired operation of the device.

This Class B digital apparatus complies with Canadian ICES-003. For products sold in the US and Canadian markets, only channels 1~11 are available. You cannot select any other channels.

IC RADIATION EXPOSURE STATEMENT:

This equipment complies with IC RSS-102 radiation exposure limits set forth for an uncontrolled environment. This equipment should be installed and operated so there is at least 8 inches (20 cm) between the radiator and your body. This device and its antenna(s) must not be co-located or operated in conjunction with any other antenna or transmitter.

Important Safety Instructions

⚠ WARNING

TO REDUCE THE RISK OF FIRE, ELECTRIC SHOCK, OR INJURY TO PERSONS, OBSERVE THE FOLLOWING PRECAUTIONS:

- Use this unit only in the manner intended by the manufacturer. If you have questions, contact the manufacturer.
- Before servicing or cleaning the unit, switch the power off at the service panel and lock the service panel to prevent power from being switched on accidentally. If the service panel cannot be locked, securely fasten a prominent warning device, such as a tag to the service panel.
- Installation work and electrical wiring must be done by qualified person(s) in accordance with all applicable codes and standards, including fire-rated construction.
- Sufficient air is needed for proper combustion and exhausting of gases through the flue (chimney) of fuel burning equipment to prevent backdrafting. Follow the heating equipment manufacturer's guideline and safety standards such as those published by the National Fire Protection Association (NFPA), the American Society for Heating, Refrigeration and Air Conditioning Engineers (ASHRAE), and the local code authorities.
- When cutting or drilling into the wall or ceiling; do not damage electrical wiring and other hidden utilities.
- Ducted fans must always be vented outdoors.

⚠ CAUTION

For general ventilating use only. Do not use to exhaust hazardous or explosive materials and vapors.

⚠ CAUTION

To reduce the risk of fire and to properly exhaust air, be sure to duct air outside - do not vent exhaust air into spaces within walls or ceilings, attics or into crawl spaces, or garages.

⚠ WARNING

TO REDUCE THE RISK OF FIRE, USE ONLY METAL DUCTWORK.

⚠ CAUTION

This appliance is not intended for use by persons (including children) with reduced physical, sensory or mental capabilities, or lack of experience and knowledge, unless they have been given supervision or instruction concerning use of the appliance by a person responsible for their safety.

⚠ CAUTION

Children should be supervised to ensure that they do not play with the appliance.

⚠ WARNING

TO REDUCE THE RISK OF A RANGE TOP GREASE FIRE:

- Never leave surface units unattended at high settings. Boilovers cause smoking and greasy spillovers that may ignite. Heat oils slowly on low or medium settings.
- Always turn the hood ON when cooking at high heat or when flambeing food (i.e. Crepes Suzette, Cherries Jubilee, Peppercorn Beef Flambé).
- Clean ventilating fans frequently. Grease should not be allowed to accumulate on the fan or filter.
- Use proper pan sizes. Always use cookware appropriate for the size of the surface element.

⚠ WARNING

TO REDUCE THE RISK OF INJURY TO PERSONS IN THE EVENT OF A RANGE TOP GREASE FIRE, OBSERVE THE FOLLOWING PRECAUTIONS:^a

- SMOTHER FLAMES with a close fitting lid, cookie sheet, or metal tray, then turn off the burner. BE CAREFUL TO PREVENT BURNS. If the flames do not go out immediately, EVACUATE AND CALL THE FIRE DEPARTMENT.
- NEVER PICK UP A FLAMING PAN - you may get burned.
- DO NOT USE WATER, including wet dishcloths or towels - a violent steam explosion can result.
- Use an extinguisher ONLY if:
 - You know you have a class ABC extinguisher, and you already know how to operate it.
 - The fire is small and contained in the area where it started.
 - The fire department is being called.
 - You can fight the fire with your back to an exit.

^aBased on "Kitchen Fire Safety Tips" published by NFPA.

⚠ WARNING

To reduce the risk of fire or electrical shock, do not use this fan with any solid-state speed control device.

⚠ WARNING

Do not let children near this appliance. Do not let children play with this appliance.

Keep all packaging materials out of children's reach. Properly dispose of the packaging materials after this appliance is unpacked.

⚠ WARNING

Turn off the hood before opening the filter and be sure to use the filter with the screw fastened.

⚠ WARNING

To reduce the risk of injury, do not force vertically on the filter plane and handle while cleaning.

⚠ WARNING

Cancer and Reproductive Harm - www.P65Warnings.ca.gov

Read and save these instructions

Installation Requirements

Electrical Requirements

IMPORTANT

Observe all governing codes and ordinances.

It is the customer's responsibility:

To contact a qualified electrical installer.

If codes permit and a separate ground wire is used, it is recommended that a qualified electrician determine that the ground path is adequate.

A copy of the above code standards can be obtained from:

National Fire Protection Association

1 Batterymarch Park

Quincy, MA 02169-7471

CSA International

8501 East Pleasant Valley Road

Cleveland, OH 44131-5575

- A 120 volt, 60 Hz., AC only, 15-amp, fused electrical circuit is required.
- If the house has aluminum wiring, follow the procedure below:
 1. Connect a section of solid copper wire to the pigtail leads.
 2. Connect the aluminum wiring to the added section of copper wire using special connectors and/or tools designed and UL listed for joining copper to aluminum.
- Follow the electrical connector manufacturer's recommended procedure. Aluminum/copper connection must conform with local codes and industry accepted wiring practices.
- Wire sizes and connections must conform with the rating of the appliance as specified on the model/serial rating plate. The model serial plate is located behind the filter on the rear wall of the range hood.
- Wire sizes must conform to the requirements of the National Electrical Code, ANSI/NFPA 70 (latest edition), or CSA Standards C22. 1-94, Canadian Electrical Code, Part 1 and C22.2 No. 0-M91 (latest edition) and all local codes and ordinances.

If an electrical connection is accessible, connect the hood to an outlet that complies with current codes and regulations and ensure that the outlet is in a position where the hood can be installed. If an electrical connection is not accessible in the install location (direct connection to the electrical network) or the outlet will not be in a position for installation, place an approved bipolar switch in an accessible position that provides full disconnection under Overvoltage Category III conditions, in accordance with local wiring rules. When the product is connected by a plug to the outlet, the plug must remain visible after installation of the product.

Venting Requirements (ducted models only)

- Vent system must terminate outdoors.
- Do not terminate the vent system in an attic or other enclosed area.
- Do not use a 4" (10.2 cm) laundry-type wall cap.
- Use 7" (17.8 cm) round metal vent or 31/4" x 10" (8.3 x 25.4 cm) rectangular metal vent only. Rigid metal vent is recommended. Plastic or metal foil vent is not recommended.
- The length of the vent system and the number of elbows should be kept to a minimum to provide efficient performance.

For the most efficient and quiet operation:

- Use no more than three 90° elbows.
- Make sure there is a minimum of 30" (76.2 cm) of straight vent between the elbows if more than 1 elbow is used.

- Do not install 2 elbows together.
- Use clamps to seal all joints in the vent system.
- The vent system must have a damper. If the roof or wall cap has a damper, do not use the damper supplied with the range hood.
- Use caulking to seal the exterior wall or roof opening around the cap.
- The size of the vent should be uniform.

Venting Methods

To use the hood's top outlet to vent your hood a 7" (17.8 cm) or larger round vent with a maximum length of 50 ft (15.2 m) vent system is required. These vent system is not included and must be purchased separately.

NOTE

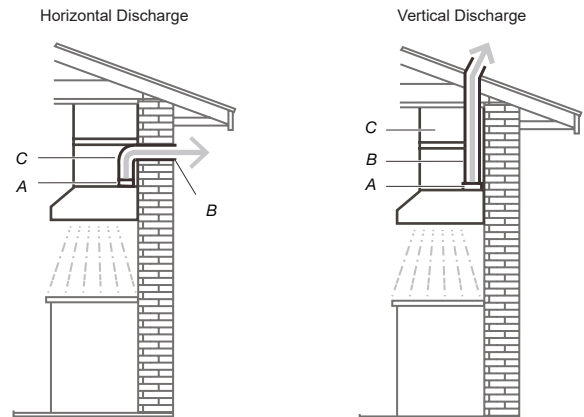
- The vent system is optional for this model.
- Flexible vent is not recommended. Flexible vent creates back pressure and air turbulence that greatly reduces performance. The vent system can terminate either through the roof or wall. To vent through a wall, a 90° elbow is needed.

Mounting Height

Mount the hood no less than 24" (61.0 cm) above an electric cooking surface, no less than 30" (76.2 cm) above a gas cooking surface, and no higher than 30" (76.2 cm) above either surface.

Horizontal discharge

A 90° elbow may be installed immediately above the hood.



A. 7" (17.8 cm) round vent.
B. Wall cap with damper (not included).
C. 90° elbow

A. 7" (17.8 cm) round vent.
B. Cabinet
C. Roof cap with damper (not included).

Cold Weather Installations

An additional backdraft damper should be installed to minimize backward cold air flow and a thermal break should be installed to minimize conduction of outside temperatures as part of the vent system. The damper should be on the cold air side of the thermal break.

The break should be as close as possible to where the vent system enters the heated portion of the house.

Makeup Air

- When using ventilation systems with greater than specified CFM of air movement, review local building codes as they may require makeup air systems. Consult a HVAC professional for specific requirements for your area as CFM requirements can vary between locales.
- Consult an HVAC professional to select the correct CFM capacity range hood for your application. The CFM capacity depends on the range or cooktop BTU rating, size and location, size of the kitchen and the range hood ductwork in the kitchen.

Installation Requirements

Tools and Parts

Removing the packaging

⚠ CAUTION


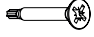


Remove the carton carefully. Wear gloves to protect against sharp edges.

⚠ WARNING

Remove the protective film covering the product before putting into operation.

Parts supplied

- Hood assembly with blower and LED lamps already installed.
- Hardware bag with:

Part	Qty	Part	Qty
 5 x 45 mm	2	 Torx® T10 adapter	1
 8 x 45 mm	2	 4.5x13 mm	4

Tools/Materials required

- Level
- Drill with 1/8" (3 mm), 1/2" (13 mm) and 1/4" (30 mm) drill bits
- Pencil
- Wire stripper or utility knife
- Tape measure or ruler
- Pliers
- Caulking gun and weatherproof caulking compound
- Saber or keyhole saw
- Metal snips
- Screwdrivers:
 - #2 Phillips
 - Flat - blade

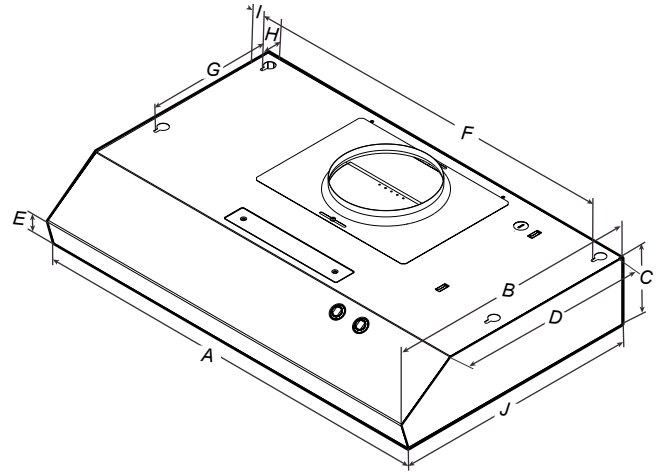
Parts needed

- Home power supply cable
- 1/2" (12.7 mm) UL listed or CSA approved strain relief
- 3 UL listed wire connectors

For 7" (17.8 cm) round vented installations

- 7" (17.8 cm) round mental vent system with wall or roof cap
- Vent clamps

Dimensions and Clearances



NK30B3000US/AA	
A	30" (76 cm)
B	18 3/4" (47.5 cm)
C	5" (12.5 cm)
D	14 1/2" (36.7 cm)
E	2" (5 cm)
F	27 15/16" (70.9 cm)
G	9" (22.9 cm)
H	1 1/2" (3.8 cm)
I	1" (2.5 cm)
J	18 1/8" (46 cm)

Installation Instructions

Installation Instructions

We recommend that a qualified technician install the range hood. It is the installer's responsibility to ensure the range hood complies with the installation clearances specified for the product.

- It is recommended that the vent system be installed before the hood is installed.
- If possible, disconnect and move freestanding or slide-in ranges from cabinet openings to provide easier access to the rear wall.
- Before making cutouts, make sure there is proper clearance within the ceiling or wall for the exhaust vent.
- Confirm that all installation parts have been removed from the shipping carton.

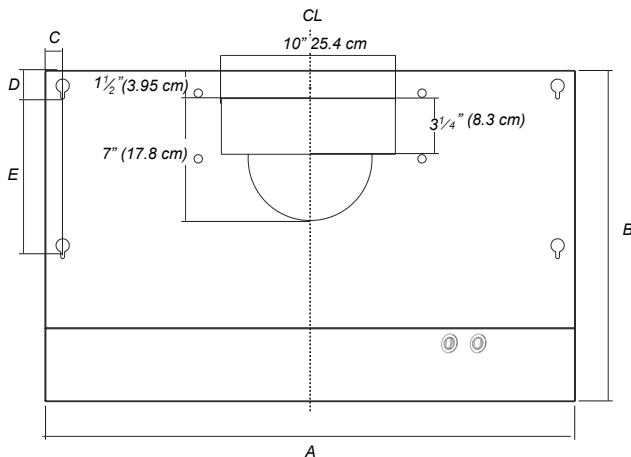
1. Turn off the power at the circuit breaker panel or fuse box.
2. Determine which venting method to use: roof, wall, or non-vented (recirculating).
3. Select a flat surface for assembling the range hood. Place a covering over that surface.

Venting Methods

Outside Top exhaust

Use 7" (17.8 cm) or larger round vent with a maximum length of 50 ft (15.2 m) for vent system.

Use the diagram or the hood as a template and mark the locations for the ductwork, electrical wiring and keyhole screw slots.



A	30" (76 cm)
B	18 3/4" (47.5 cm)
C	1" (2.5 cm)
D	1 1/2" (3.8 cm)
E	9" (22.8 cm)

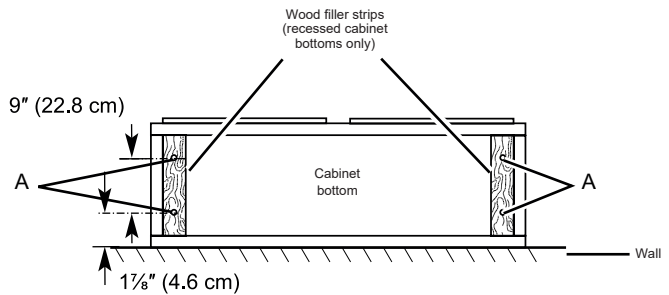
⚠ WARNING

USE TWO OR MORE PEOPLE TO MOVE AND INSTALL THE RANGE HOOD. FAILURE TO DO SO CAN RESULT IN INJURY.

📖 NOTE

Mark the Range Hood knockouts on the wall and make the necessary cutouts before installing the hood.

Prepare the location



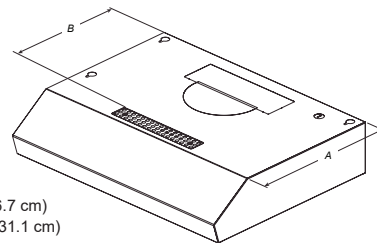
1. If cabinet has recessed bottom, add wood filler strips on each side. Install 4 flat head wood screws with washers and nuts to attach filler strips in locations shown.

📖 NOTE

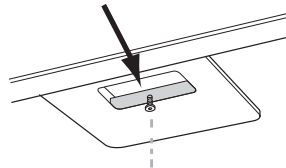
For installations to a surface other than drywall, it is recommended that a qualified contractor determine the anchoring method.

📖 NOTE

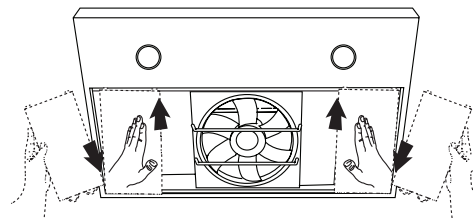
Consider use the A measure for 7" (17.8 cm) round transition and B measure for recirculating system.



2. Remove the grease filter by pulling the filter latch toward the back of the range hood and using a Torx T10 adapter, remove the screw from the filter retainer.



3. Remove the lateral panels by pulling them horizontally to the back of the hood and then release the brackets on the front.

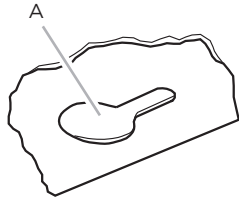


Installation Instructions

- Using 2 or more people, lift the range hood up under cabinet and determine final location by centering beneath cabinet. Mark on the underside of cabinet the location of the 4 keyhole mounting slots on the range hood (A)

NOTE

Mark the thin area of the slot. On the back wall mark the holes for the security screws (B). Set range hood aside on a covered surface.



A. Keyhole slot

- Use 1/8" (3 mm) drill bit and drill 4 pilot holes.

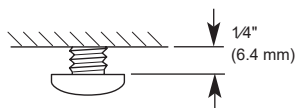
NOTE

Make the drill holes on the thin area of the slot.

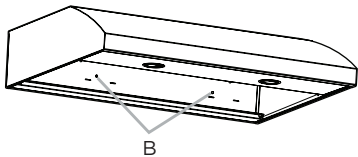


A. Drill pilot hole

- Install the 4 - .45 cm x 1.3 cm mounting screws in pilot holes. Leave about 1/4" (6.4 mm) space between screw heads and cabinet to slide range hood into place.

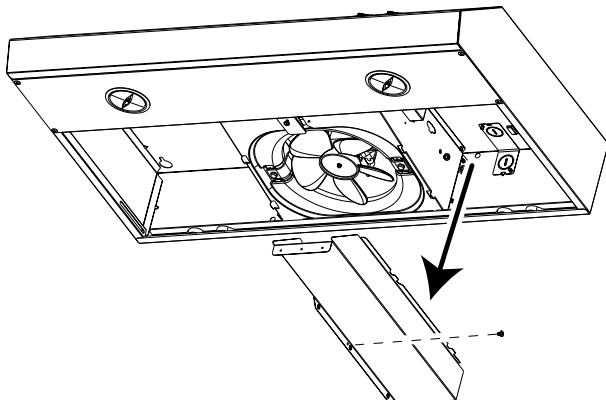


- Use 3/25" (8mm) drill bit and drill 2 pilot holes in the marks for the security screws, then place the drywall anchors.

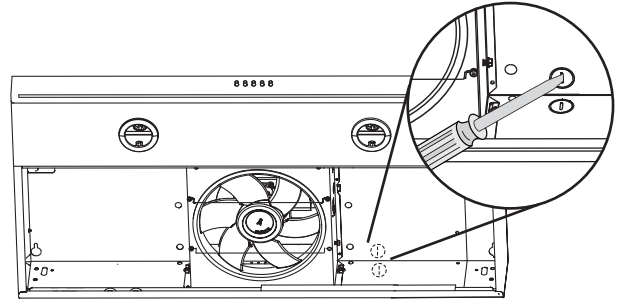


Prepare Range Hood

- Set the range hood on its back on a covered surface.
- Unscrew and remove junction box cover

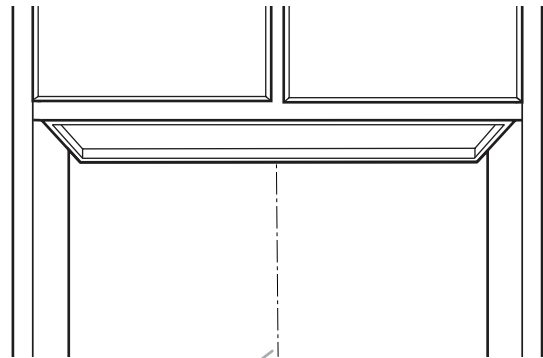


- Using a flat head screwdriver, remove the appropriate power supply knockout.



Mark Hole Locations

- Determine and clearly mark a vertical centerline (A) on the wall and cabinet bottom.

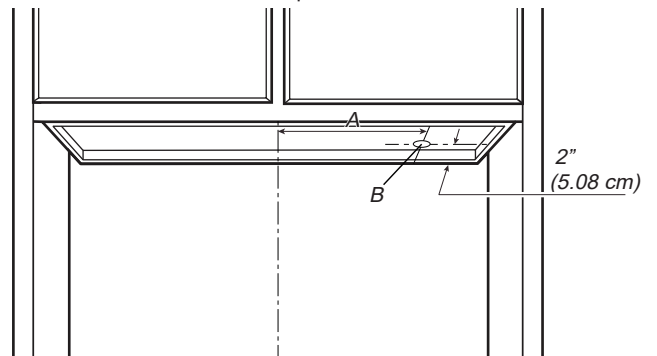


A

A. Centerline

To wire through top:

- Mark a line distance (A) from the right of the centerline on the underside of the cabinet. Mark the point on this line that is 2" (5.08 cm) from the rear wall. Drill a 1/8" (2.2 cm) diameter hole (B) through the underside of the cabinet at this point.

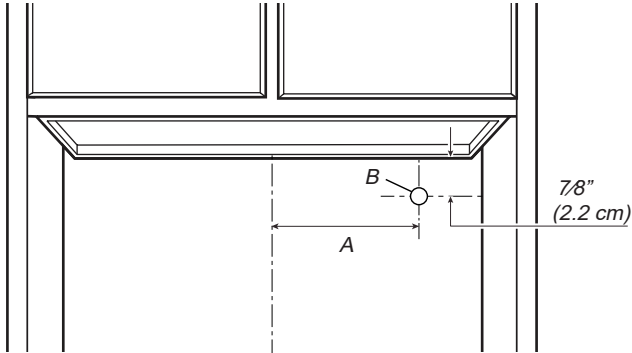


A. 8 2/5" (21.3cm)

Installation Instructions

To wire through wall:

1. Mark a line distance (A) from the right of the centerline on the underside of the cabinet. Mark the point on this line that is $\frac{7}{8}$ " (2.2 cm) from the underside of the cabinet. Drill a $\frac{7}{8}$ " (2.2 cm) diameter hole (B) through the rear wall at this point.



A. 8 2/5" (21.3cm)

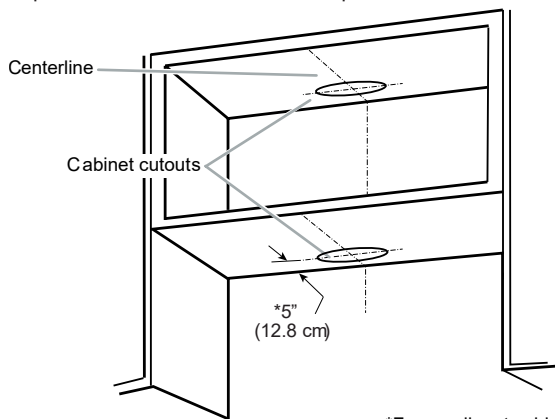
Mark and Cut Vent Opening

For a non-vented (recirculating) installation: skip "Mark and Cut Vent Opening" step.

For 7" (17.8 cm) Round Vent System (Roof Venting)

To make a circular vent opening on the underside of the cabinet top:

1. Mark a centerline on the underside of the top of cabinet.
2. Mark a line 5" (12.8 cm) from the back wall on the underside of the top of cabinet.
3. Use a compass or a circle template to draw a circle with a diameter of 7 1/2" (19 cm).
4. Use saber or keyhole saw to cut the circular vent opening. Repeat steps 1-3 for the underside of the top of the cabinet.

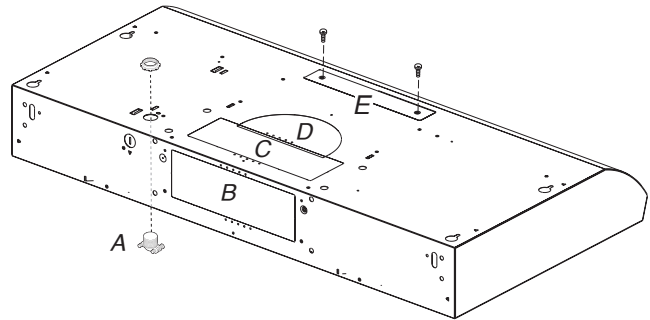


*From wall, not cabinet frame

Drill Electrical Opening

1. Using a 1 1/4" (3 cm) drill bit, drill the hole in the dot marked previously at the electrical strain relief.

Prepare Range Hood Vents



Install Strain Relief

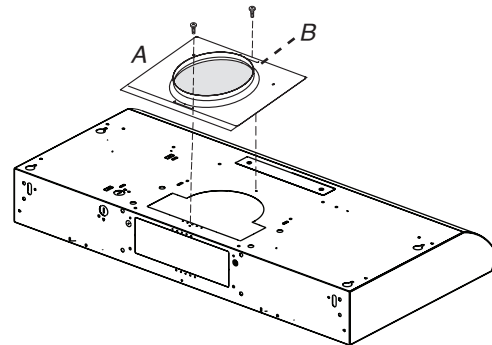
1. Install a UL listed/CSA approved $\frac{1}{2}$ " (13 mm) strain relief (A).

For non-vented (Recirculating) Installations

Remove the (2) T10 Torx® screws and remove the top, front rectangular vent cover (E). Go to "Electrical Connection" step.

7" (17.8 cm) Round Vent Mounting Plate

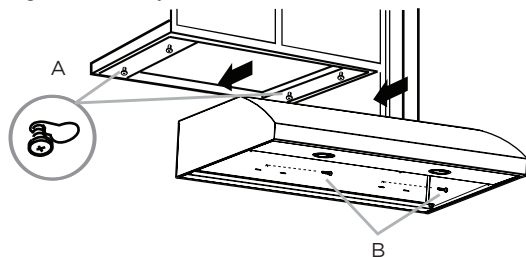
1. Using (2) short Phillips head screws, install the 7" (17.8 cm) round vent mounting plate (A) over the vent knockouts removed in previous step. Position the wide flange (B) to the front.



Installation Instructions

Mounting the Hood

1. Using 2 or more people, lift the hood into final position. Feed enough electrical wire through the $\frac{1}{2}$ " UL listed or CSA approved strain relief to make connections in the terminal box. Tighten the strain relief screws.
2. Position the range hood so that the large end of the keyhole slots are over the mounting screws. Then push the hood toward the wall so that the screws are in the neck of the slots. Install the .5 cm x 4.5 cm mounting screws in drywall anchors.



A. Mounting screws (4)
B. Security screws

3. Tighten the mounting screws, making sure the screws are in the narrow neck of slots.
4. Tighten the security screws to the wall.
5. For direct wire installations, run the home power supply cable according to the National Electric Code or CSA standards and local codes and ordinances. There must be enough wiring from the fused disconnect (or circuit breaker) box to make the connection in the range hood electrical terminal box.

NOTE

Do not reconnect power until the installation is complete.

OPTIONAL: If you prefer, bend the rear tabs against the rear of the range hood and attach to the wall using #8-18 x $\frac{5}{8}$ " (4.2 x 16 mm) truss-head screws.

Connect Vent System

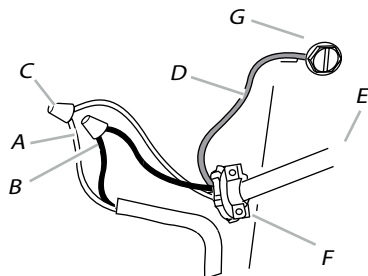
1. Connect the vent work to the range hood.
2. Seal joints with vent clamps or duct tape to make secure and airtight.
3. Check that the backdraft dampers work properly.

Electrical Connection

WARNING

ELECTRICAL SHOCK HAZARD.

DISCONNECT POWER BEFORE SERVICING. REPLACE ALL PARTS AND PANELS BEFORE OPERATING. FAILURE TO DO SO CAN RESULT IN DEATH OR ELECTRICAL SHOCK.



A. White wires
B. Black wires
C. UL listed wire connector
D. Green (or bare) ground wire
E. Homepower supply cable
F. UL listed or CSA approved $\frac{1}{2}$ " strain relief
G. Green ground screw

1. Run 3 wires - black, white, and green - according to the National Electrical Code and local codes and ordinances, in $\frac{1}{2}$ " conduit from the service panel to the junction box.

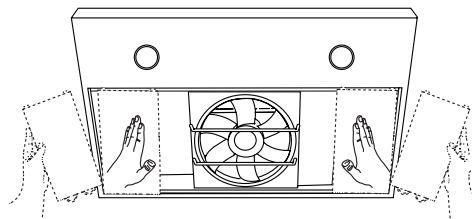
WARNING

ELECTRICALLY GROUND THE BLOWER. CONNECT THE GROUND WIRE TO THE GREEN AND YELLOW GROUND WIRES IN THE TERMINAL BOX. FAILURE TO DO SO CAN RESULT IN DEATH OR ELECTRICAL SHOCK.

2. Connect the black wire from the service panel to the black or the red in the junction box. Connect the white to white and green to green-yellow.
3. Close and secure the junction box cover with the screw previously removed.

Completing the Installation

1. Place the lateral panels by sliding them horizontally from the back of the hood and then secure the brackets on the front.



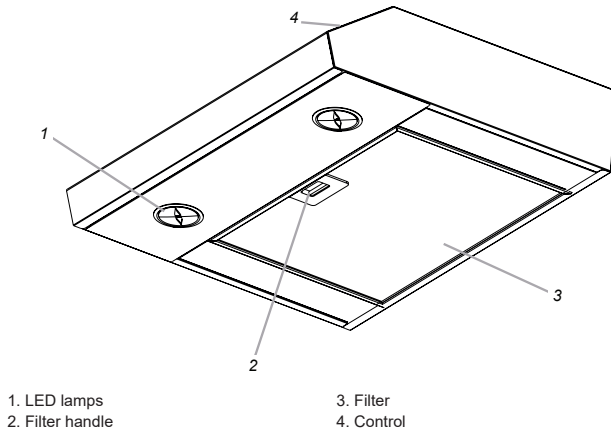
2. Place the filters and check the operation of the hood.
 - **For vented installations:** Install only the metal grease filter.
 - **For non-vented (recirculating) installations:** Install both a charcoal and metal grease filter.

If the range hood does not operate:

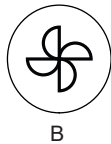
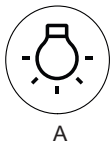
- Confirm that the circuit breaker is not tripped or the house fuse blown.
- Disconnect the power supply, and then check if the wiring is correct.
- To get the most efficient use from your new range hood, read the "Range Hood Use and Care" section.
- Keep these Installation Instructions Guide close to range hood for easy reference.

Range Hood Use and Care

Range Hood Description



Range Hood Controls



A. Light Power
B. Blower Off button

Operating the light

1. The Light On/Off button (A) controls both lights. Press once for ON and again for OFF.

Operating the blower

1. To turn the blower On press the blower button (B). Press the blower button again to turn the blower off.

Cleaning

Exterior surfaces:

To avoid damage to the exterior surface, do not use steel wool or soap-filled scouring pads. Do not use chlorine based cleaners. Rub in the direction of the grain line to avoid scratching the surface.

- For a thorough cleaning, use Stainless Steel Cleaner and Polish.
- For everyday cleaning, use a mild liquid detergent and water. Dry thoroughly.
- For a quick cleaning, wipe with a damp soft cloth or nonabrasive sponge, then rinse with clean water and wipe dry.

NOTE

Always wipe dry to avoid water marks.

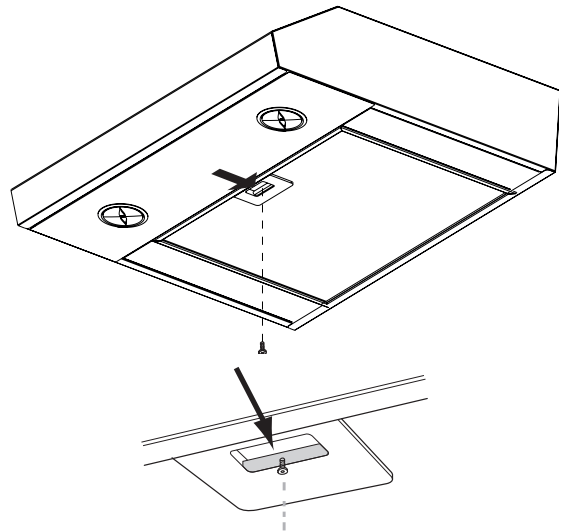
Metal Grease Filter

For vented installations:

- Wash the metal filter as needed in a dishwasher or hot detergent solution.
- If needed replace the metal grease filter.
- When washed in a dishwasher, the grease filter may discolor slightly, but this does not affect its filtering capacity.

To replace metal grease filter:

1. Remove the filter by pulling the latch toward the back of the range hood and using a Torx T10 adapter, remove the screw from the filter retainer, replace the filter and place the screw back.



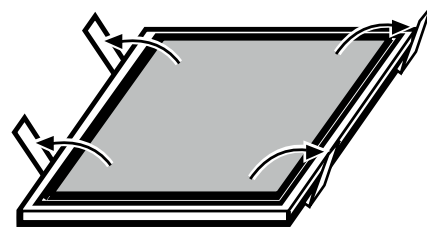
Charcoal Filter

For non-vented (recirculating) installations:

The charcoal filter is not washable. It should last up to 6 months with normal use. Dispose of old charcoal filter.

To replace charcoal filter:

1. Remove the metal grease filter from the range hood. See "Metal Grease Filter" in this section.
2. Bend the spring clips away from the metal grease filter.



3. Replace the charcoal filter into the top side of metal filter.
4. Insert the metal grease filter back into the range hood.
5. Place again the screw from the filter retainer.

Charcoal filter is not included in the product, so please purchase it through the service center below if necessary. (Code Number: DG81-03610A)

Please contact SAMSUNG at:

1-800-SAMSUNG (726-7864) or

www.samsung.com/ca/support (English)

www.samsung.com/ca_fr/support (French)

www.samsung.com/us/support (English)

Replacing the LED Lamp

LED lights are replaceable by a service technician only.

Range Hood Use and Care

Range Hood for ADA Compliance

Range hoods can be installed to comply with Sections 308 and 309 of ADA Guidelines, when used with appropriately mounted controls installed at 15" (38.1 cm) to 40" (101.6 cm) above the floor and control access does not require reaching over a cooking appliance.

This range hood model NK30B3000US/AA can work in an ADA Compliant situation when the range hood is wired to operate from a dedicated, standard electrical wall switch. To facilitate this application, share the information on the following pages with your electrician when preparing for the installation.

NOTE

All the models can be controlled by only one remote switch (The switch activates or deactivates the motor and the light of the hood).

WARNING

All electrical work must be done in accordance with local codes, ordinances, or the national electrical code as applicable. For safety, this product must be installed in a grounded switch box. The electrical wiring installation must be done by a qualified technician.

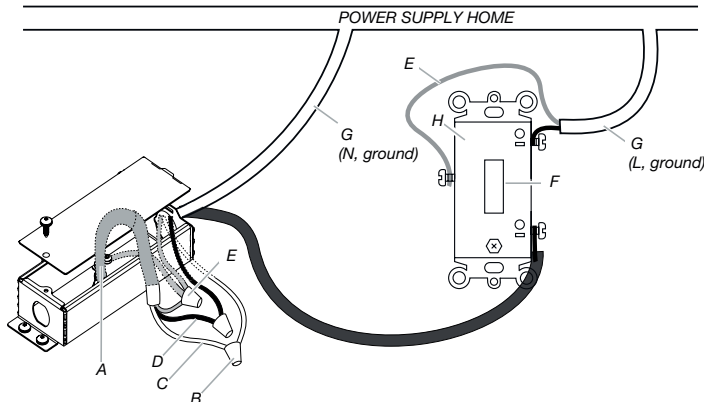
WARNING

Electrical Shock Hazard

Turn off power at the circuit breaker panel or fuse box before servicing.

Replace all parts and panels before operating.

Failure to do so can result in death or electrical shock.



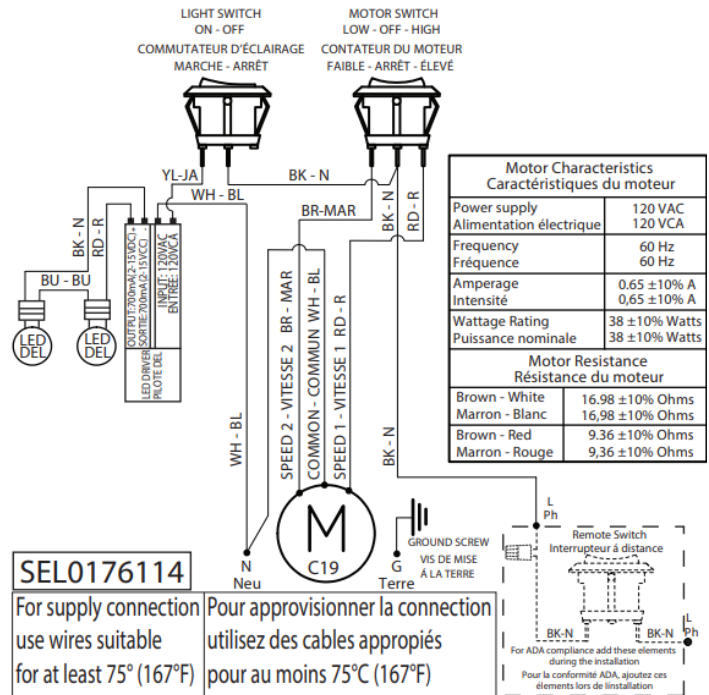
- A. Range Hood Cable
- B. UL listed wire connector
- C. White wires (N)
- D. Black wires (L)
- E. Green (or bare) and yellow-green ground

- F. UL listed switch
- G. Home power supply cable
- H. Deep single gang switch box

WARNING

To avoid fire or electrical shock, turn off power at the circuit breaker panel or fuse box. Confirm that the power is off before wiring.

1. MOUNT THE SWITCH BOX. Install a 3½" deep single gang switch box
2. ATTACH THE POWER CABLE. Clamp wiring to the switch box and unit using an appropriate clamp. Provide 6" leads inside the box and fan for easier wiring.
3. CONNECT THE WIRING. General instructions:
 - Make sure both the switch box and the appliance are properly grounded.
 - Make sure the ground wire is securely fastened to the control's ground screw. Tighten the ground screw.
 - Use proper wire nut sizes for the number and size of the wires.
 - For push-in and screw terminals: Use min. #14 AWG solid copper wire only.
 - Tighten the screw terminals.
 - Make electrical connections following the appropriate diagram.



4. MOUNT THE CONTROL IN THE SWITCH BOX. Tuck wires into the switch box and fasten the control to the box using the attached screws.
5. ATTACH THE SWITCH PLATE. Fasten the switch plate to the control using the short screws from the parts bag.

SAMSUNG RANGE HOOD

Limited warranty to original purchaser

This SAMSUNG brand product, as supplied and distributed by Samsung Electronics America, Inc. (SAMSUNG) and delivered new, in the original carton to the original consumer, is warranted by SAMSUNG against manufacturing defects in materials and workmanship for a limited warranty period starting on the date of delivery to the original consumer, of:

ONE (1) YEAR PARTS AND LABOR

This limited warranty begins on the original date of purchase, and is valid only on products purchased and used in the United States. To receive warranty service, the consumer must contact SAMSUNG for problem determination and service procedures. Warranty service can only be performed by a SAMSUNG authorized service center. The original dated bill of sale and/or proof of delivery must be presented upon request as proof of purchase to SAMSUNG or SAMSUNG's authorized service center.

SAMSUNG will repair or replace this product, at our option and at no charge as stipulated herein, with new or reconditioned parts or products if found to be defective during the limited warranty period specified above. All replaced parts and products become the property of SAMSUNG and must be returned to SAMSUNG. Replacement parts and products assume the remaining original warranty, or ninety (90) days, whichever is longer.

In-home service will be provided during the warranty labor period subject to availability within the contiguous United States. In-home service is not available in all areas. To receive in-home service, the product must be unobstructed and accessible to service personnel. If during in-home service repair can not be completed, it may be necessary to remove, repair and return the product.

This limited warranty covers manufacturing defects in materials and workmanship encountered in normal, noncommercial use of this product and shall not apply to the following, including, but not limited to: damage which occurs in shipment; delivery and installation; applications and uses for which this product was not intended; altered product or serial numbers; cosmetic damage or exterior finish; accidents, abuse, neglect, fire, water, lightning or other acts of nature; use of products, equipment, systems, utilities, services, parts, supplies, accessories, applications, installations, repairs, external wiring or connectors not supplied or authorized by SAMSUNG which damage this product or result in service problems; incorrect electrical line voltage, fluctuations and surges; customer adjustments and failure to follow operating instructions, cleaning, maintenance and environmental instructions that are covered and prescribed in the instruction book; problems caused by pest infestations, and overheating by user.

THERE ARE NO EXPRESS WARRANTIES OTHER THAN THOSE LISTED AND DESCRIBED ABOVE, AND NO WARRANTIES WHETHER EXPRESS OR IMPLIED, INCLUDING, BUT NOT LIMITED TO, ANY IMPLIED WARRANTIES OF MERCHANTABILITY OR FITNESS FOR A PARTICULAR PURPOSE, SHALL APPLY AFTER THE EXPRESS WARRANTY PERIODS STATED ABOVE, AND NO OTHER EXPRESS WARRANTY OR GUARANTY GIVEN BY ANY PERSON, FIRM OR CORPORATION WITH RESPECT TO THIS PRODUCT SHALL BE BINDING ON SAMSUNG. SAMSUNG SHALL NOT BE LIABLE FOR LOSS OF REVENUE OR PROFITS, FAILURE TO REALIZE SAVINGS OR OTHER BENEFITS, OR ANY OTHER SPECIAL, INCIDENTAL OR CONSEQUENTIAL DAMAGES CAUSED BY THE USE, MISUSE OR INABILITY TO USE THIS PRODUCT, REGARDLESS OF THE LEGAL THEORY ON WHICH THE CLAIM IS BASED, AND EVEN IF SAMSUNG HAS BEEN ADVISED OF THE POSSIBILITY OF SUCH DAMAGES. NOR SHALL RECOVERY OF ANY KIND AGAINST SAMSUNG BE GREATER IN AMOUNT THAN THE PURCHASE PRICE OF THE PRODUCT SOLD BY SAMSUNG AND CAUSING THE ALLEGED DAMAGE. WITHOUT LIMITING THE FOREGOING, PURCHASER ASSUMES ALL RISK AND LIABILITY FOR LOSS, DAMAGE OR INJURY TO PURCHASER AND PURCHASER'S PROPERTY AND TO OTHERS AND THEIR PROPERTY ARISING OUT OF THE USE, MISUSE OR INABILITY TO USE THIS PRODUCT SOLD BY SAMSUNG NOT CAUSED DIRECTLY BY THE NEGLIGENCE OF SAMSUNG. THIS LIMITED WARRANTY SHALL NOT EXTEND TO ANYONE OTHER THAN THE ORIGINAL PURCHASER OF THIS PRODUCT IS NONTRANSFERABLE AND STATES YOUR EXCLUSIVE REMEDY.

Some provinces or territories may or may not allow limitations on how long an implied warranty lasts, or the exclusion or limitation of incidental or consequential damages, so the above limitations or exclusions may not apply to you. This warranty gives you specific legal rights, and you may also have other rights which vary from state to state.

To obtain warranty service, please contact SAMSUNG at:

**1-800-SAMSUNG (726-7864) or
www.samsung.com/us/support**

SAMSUNG RANGE HOOD

Limited warranty to original purchaser

This SAMSUNG brand product, as supplied and distributed by Samsung Electronics Canada, Inc. (SAMSUNG) and delivered new, in the original carton to the original consumer, is warranted by SAMSUNG against manufacturing defects in materials and workmanship for a limited warranty period starting on the date of delivery to the original consumer, of:

ONE (1) YEAR PARTS AND LABOR

This limited warranty begins on the original date of purchase, and is valid only on products purchased and used in Canada. To receive warranty service, the consumer must contact SAMSUNG for problem determination and service procedures. Warranty service can only be performed by a SAMSUNG authorized service center. The original dated bill of sale and/or proof of delivery must be presented upon request as proof of purchase to SAMSUNG or SAMSUNG's authorized service center.

SAMSUNG will repair or replace this product, at our option and at no charge as stipulated herein, with new or reconditioned parts or products if found to be defective during the limited warranty period specified above. All replaced parts and products become the property of SAMSUNG and must be returned to SAMSUNG. Replacement parts and products assume the remaining original warranty, or ninety (90) days, whichever is longer.

In-home service will be provided during the warranty labor period subject to availability within the contiguous Canada. In-home service is not available in all areas. To receive in-home service, the product must be unobstructed and accessible to service personnel. If during in-home service repair can not be completed, it may be necessary to remove, repair and return the product.

This limited warranty covers manufacturing defects in materials and workmanship encountered in normal, noncommercial use of this product and shall not apply to the following, including, but not limited to: damage which occurs in shipment; delivery and installation; applications and uses for which this product was not intended; altered product or serial numbers; cosmetic damage or exterior finish; accidents, abuse, neglect, fire, water, lightning or other acts of nature; use of products, equipment, systems, utilities, services, parts, supplies, accessories, applications, installations, repairs, external wiring or connectors not supplied or authorized by SAMSUNG which damage this product or result in service problems; incorrect electrical line voltage, fluctuations and surges; customer adjustments and failure to follow operating instructions, cleaning, maintenance and environmental instructions that are covered and prescribed in the instruction book; problems caused by pest infestations, and overheating by user. SAMSUNG does not warrant uninterrupted or error-free operation of the product.

THERE ARE NO EXPRESS WARRANTIES OTHER THAN THOSE LISTED AND DESCRIBED ABOVE, AND NO WARRANTIES WHETHER EXPRESS OR IMPLIED, INCLUDING, BUT NOT LIMITED TO, ANY IMPLIED WARRANTIES OF MERCHANTABILITY OR FITNESS FOR A PARTICULAR PURPOSE, SHALL APPLY AFTER THE EXPRESS WARRANTY PERIODS STATED ABOVE, AND NO OTHER EXPRESS WARRANTY OR GUARANTY GIVEN BY ANY PERSON, FIRM OR CORPORATION WITH RESPECT TO THIS PRODUCT SHALL BE BINDING ON SAMSUNG. SAMSUNG SHALL NOT BE LIABLE FOR LOSS OF REVENUE OR PROFITS, FAILURE TO REALIZE SAVINGS OR OTHER BENEFITS, OR ANY OTHER SPECIAL, INCIDENTAL OR CONSEQUENTIAL DAMAGES CAUSED BY THE USE, MISUSE OR INABILITY TO USE THIS PRODUCT, REGARDLESS OF THE LEGAL THEORY ON WHICH THE CLAIM IS BASED, AND EVEN IF SAMSUNG HAS BEEN ADVISED OF THE POSSIBILITY OF SUCH DAMAGES. NOR SHALL RECOVERY OF ANY KIND AGAINST SAMSUNG BE GREATER IN AMOUNT THAN THE PURCHASE PRICE OF THE PRODUCT SOLD BY SAMSUNG AND CAUSING THE ALLEGED DAMAGE. WITHOUT LIMITING THE FOREGOING, PURCHASER ASSUMES ALL RISK AND LIABILITY FOR LOSS, DAMAGE OR INJURY TO PURCHASER AND PURCHASER'S PROPERTY AND TO OTHERS AND THEIR PROPERTY ARISING OUT OF THE USE, MISUSE OR INABILITY TO USE THIS PRODUCT SOLD BY SAMSUNG NOT CAUSED DIRECTLY BY THE NEGLIGENCE OF SAMSUNG. THIS LIMITED WARRANTY SHALL NOT EXTEND TO ANYONE OTHER THAN THE ORIGINAL PURCHASER OF THIS PRODUCT IS NONTRANSFERABLE AND STATES YOUR EXCLUSIVE REMEDY.

Some provinces or territories may or may not allow limitations on how long an implied warranty lasts, or the exclusion or limitation of incidental or consequential damages, so the above limitations or exclusions may not apply to you. This warranty gives you specific legal rights, and you may also have other rights which vary from state to state.

To obtain warranty service, please contact SAMSUNG at:

1-800-SAMSUNG (726-7864) or
www.samsung.com/ca/support (English),
www.samsung.com/ca_fr/support (French)

Sommaire

Importantes Consignes de Sécurité **16**

Exigences d'Installation **18**

Exigences électriques	18
Exigences relatives à la ventilation (modèles à conduit uniquement)	18
Méthodes de ventilation	19
Installations par temps froid	19
Air D'appoint	19
Outils et Pièces	20
Dimensions et dégagements	20
Instructions d'installation	21
Méthodes de ventilation	21
Préparez l'emplacement	21

Installation de la Hotte **21**

Préparer la hotte	22
Marquer les emplacements des trous	22
Marquer et couper l'ouverture de l'évent	23
Percer L'ouverture Électrique	23
Montage de la hotte	24
Connecter le système de ventilation	24
Connexion Électrique	24
Terminer l'installation	24

Utilisation et entretien de la hotte **25**

Description de la hotte	25
Commandes de la hotte	25
Nettoyage	25
Filtre à graisse en métal	25
Filtre à Charbon	25
Remplacement de la lampe LED	25
Hotte de cuisinière pour conformité ADA	26

garantie (USA) **27**

garantie (Canada) **28**

Importantes Consignes de Sécurité

APPROUVÉ POUR LES APPAREILS DE TYPE RÉSIDENTIEL POUR UNE UTILISATION RÉSIDENTIELLE SEULEMENT LISEZ CES INSTRUCTIONS ET CONSERVEZ-LES

VEUILLEZ LIRE CES INSTRUCTIONS AU COMPLET AVANT DE COMMENCER.

L'INSTALLATION DE L'APPAREIL DOIT RESPECTER TOUS LES CODES EN VIGUEUR.

IMPORTANT: Conservez ces instructions afin de pouvoir les remettre à l'inspecteur-électricien de votre région.

INSTALLATEUR: Veuillez laisser ces instructions avec l'appareil pour le propriétaire.

PROPRIÉTAIRE: Veuillez conserver ces instructions pour pouvoir vous y référer plus tard.

Symboles utilisés dans ce manuel

ATTENTION

Dangers ou pratiques dangereuses qui peuvent entraîner des blessures personnelles graves ou la mort.

MISE EN GARDE

Dangers ou pratiques dangereuses qui peuvent entraîner un choc électrique, des blessures personnelles ou des dommages matériels.

REMARQUE

Des conseils et des instructions utiles

Ces icônes et ces symboles d'avertissement sont là pour prévenir des blessures qui peuvent vous arriver aussi bien à vous qu'aux autres.

S'il vous plaît suivez-les de manière explicite. Après avoir lu cette section, le conserver dans un endroit sûr pour des références futures.

ATTENTION

Coupez l'alimentation du circuit dans le panneau électrique et verrouillez le panneau avant de raccorder les fils de cet appareil.

Exigence 120 V c.a., 60 Hz circuit de dérivation de 15 V c.a., 20 Hz, de 15 ou 20 A.

Etat de Californie Proposition 65 avertissement (Etats-Unis seulement)

ATTENTION

Ce produit contient des produits chimiques reconnus par l'Etat de Californie comme pouvant provoquer des cancers et des malformations congénitales ou autres problèmes de reproduction.

Avis de la FCC

MISE EN GARDE

Mise en garde de la FCC: Tout changement ou modification qui n'est pas expressément approuvés par la partie responsable de cet appareil électrique (l'entreprise) pourrait annuler les droits des consommateurs à utiliser l'équipement.

Cet appareil est conforme à la partie 15 des règles de la FCC. Le fonctionnement est soumis à deux conditions suivantes :

1. Ce dispositif ne peut pas causer d'interférences néfastes, et
1. Cet appareil doit accepter toute interférence reçue, y compris les interférences qui peuvent provoquer un mauvais fonctionnement.

Pour les produits vendus sur les marchés américains et canadiens, seuls les canaux 1~11 sont disponibles. Vous ne pouvez pas sélectionner d'autres canaux.

DECLARATION DE LA FCC :

Cet équipement a été testé et jugé conforme aux limites pour un appareil numérique de classe B, en vertu de la partie 15 des règles de la FCC. Ces limites sont conçues pour fournir une protection raisonnable contre les néfastes interférences dans une installation résidentielle. Cet équipement génère, utilise et peut émettre de l'énergie de radio fréquence et, si il n'est pas installé et utilisé conformément aux instructions, il peut provoquer des interférences néfastes dans des communications radio.

Cependant, il n'y a aucune garantie que l'interférence ne se produira pas dans une installation particulière. Si cet équipement provoque des interférences néfastes à la réception radio ou télévision, ce qui peut être déterminé en mettant l'appareil hors tension, l'utilisateur est encouragé à essayer de corriger les interférences en appliquant une ou plusieurs des mesures suivantes :

- Réorienter ou déplacer l'antenne de réception
- Augmenter la distance entre l'équipement et le récepteur
- Connecter l'appareil à une prise qui se trouve sur un circuit différent de celui de la radio ou de la télévision.
- Consulter le revendeur ou un technicien radio/ TV.

FCC EXPOSITION AUX RADIATIONS :

Cet équipement est conforme aux limites FCC d'exposition aux radiations définies pour un environnement non contrôlé. Cet équipement doit être installé et utilisé de manière à ce qu'il y ait au moins 8 pouces (20 cm) entre le radiateur et votre corps. Cet appareil et son antenne ne doivent pas être situés ou opérer en accord avec une autre antenne ou émetteur.

2.AVIS IC

Le terme « IC » avant le numéro de certification radio signifie uniquement que les spécifications techniques d'industrie canadienne ont été respectées. Le fonctionnement est soumis aux deux conditions suivantes:

1. ce dispositif ne peut pas provoquer d'interférences et
2. cet appareil doit accepter toute interférence, y compris les interférences qui peuvent causer un mauvais fonctionnement de l'appareil.

Cet appareil numérique de classe B est conforme à la norme ICES-003 du Canada. Pour les produits vendus sur les marchés américains et canadiens, seuls les canaux 1~11 sont disponibles. Vous ne pouvez pas sélectionner d'autres canaux.

DECLARATION D'EXPOSITION AUX RADIATIONS DE L'IC :

Cet équipement est conforme aux normes de l'IC RSS-102 limites d'exposition aux radiations définies pour un environnement non contrôlé. Cet équipement doit être installé et utilisé de manière à ce qu'il y ait au moins 8 pouces (20cm) entre le radiateur et votre corps. Cet appareil et son antenne ne doivent pas être situés ou opérer en accord avec une autre antenne ou émetteur.

Importantes Consignes de Sécurité

⚠ ATTENTION

POUR RÉDUIRE LE RISQUE D'INCENDIE, CHOC ÉLECTRIQUE OU DOMMAGES CORPORELS, RESPECTER LES INSTRUCTIONS SUIVANTES:

- Utiliser cet appareil uniquement dans les applications envisagées par le fabricant. Pour toute question, contacter le fabricant.
- Avant d'entreprendre un travail d'entretien ou de nettoyage, interrompre l'alimentation de la hotte au niveau du tableau de disjoncteurs, et verrouiller le tableau de disjoncteurs pour empêcher tout rétablissement accidentel de l'alimentation du circuit. Lorsqu'il n'est pas possible de verrouiller le tableau de disjoncteurs, placer sur le tableau de disjoncteurs une étiquette d'avertissement proéminente interdisant le rétablissement de l'alimentation.
- Tout travail d'installation ou câblage électrique doit être réalisé par une personne qualifiée, dans le respect des prescriptions de tous les codes et normes applicables, y compris les codes du bâtiment et de protection contre les incendies.
- Une source d'air de débit suffisant est nécessaire pour le fonctionnement correct de tout appareil à gaz (combustion et évacuation des gaz à combustion par la cheminée), pour qu'il n'y ait pas de reflux des gaz de combustion. Respecter les directives du fabricant de l'équipement de chauffage et les prescriptions des normes de sécurité - comme celles publiées par la National Fire Protection Association (NFPA) et l'American Society for Heating, Refrigeration and Air Conditioning Engineers (ASHRAE), et les prescriptions des autorités réglementaires locales.
- Lors d'opérations de découpage et de perçage dans un mur ou un plafond, veiller à ne pas endommager les câblages électriques ou canalisations qui peuvent s'y trouver.
- Les ventilateurs d'évacuation doivent toujours décharger l'air à l'extérieur.

⚠ MISE EN GARDE

Cet appareil est conçu uniquement pour la ventilation générale. Ne pas l'utiliser pour l'extraction de matières ou vapeurs dangereuses ou explosives.

⚠ MISE EN GARDE

Pour minimiser le risque d'incendie et évacuer adéquatement les gaz, veiller à acheminer l'air aspiré par un conduit jusqu'à l'extérieur - ne pas décharger l'air aspiré dans un espace vide du bâtiment comme une cavité murale, un plafond, un grenier, un vide sanitaire ou un garage.

⚠ ATTENTION

POUR RÉDUIRE LE RISQUE D'INCENDIE, UTILISER UNIQUEMENT DES CONDUITS MÉTALLIQUES.

⚠ CAUTION

L'appareil n'est pas destiné à une utilisation par des enfants ou des personnes à capacités physiques, sensorielles ou mentales réduites et sans expérience et connaissance à moins qu'ils ne soient sous la supervision ou formés sur l'utilisation de l'appareil par une personne responsable de leur sécurité.

⚠ CAUTION

Les enfants doivent être surveillés afin qu'ils ne jouent pas avec l'appareil.

⚠ ATTENTION

Cancer et Troubles de l'appareil reproducteur - www.P65Warnings.ca.gov

⚠ ATTENTION

POUR MINIMISER LE RISQUE D'UN FEU DE GRAISSE SUR LA CUISINIÈRE:

- Ne jamais laisser un élément de surface fonctionner à puissance de chauffage maximale sans surveillance. Un renversement/débordement de matière grasseuse pourrait provoquer une inflammation et la génération de fumée. Utiliser une puissance de chauffage moyenne ou basse pour le chauffage d'huile.
- Veiller à toujours faire fonctionner le ventilateur de la hotte lors de la cuisson avec une puissance de chauffage élevée ou lors de la cuisson d'un mets à flamber (à savoir crêpes Suzette, cerise jubilee, steak au poivre flambé).
- Nettoyer fréquemment les ventilateurs d'extraction. Veiller à ne pas laisser la graisse s'accumuler sur les surfaces du ventilateur ou des filtres.
- Utiliser toujours un ustensile de taille appropriée. Utiliser toujours un ustensile adapté à la taille de l'élément chauffant.

⚠ ATTENTION

POUR RÉDUIRE LE RISQUE DE DOMMAGES CORPORELS APRÈS LE DÉCLENCHEMENT D'UN FEU DE GRAISSE SUR LA CUISINIÈRE, APPLIQUER LES RECOMMANDATIONS SUIVANTES:^a

- Placer sur le récipient un couvercle bien ajusté, une tôle à biscuits ou un plateau métallique POUR ÉTOUFFER LES FLAMMES, puis éteindre le brûleur. VEILLER À ÉVITER LES BRÛLURES. Si les flammes ne s'éteignent pas immédiatement, ÉVACUER LA PIÈCE ET APPELER LES POMPIERS.
- NE JAMAIS PRENDRE EN MAIN UN RÉCIPENT ENFLAMMÉ - vous risquez de vous brûler.
- NE PAS UTILISER D'EAU, ni un torchon humide - ceci pourrait provoquer une explosion de vapeur brûlante.
- Utiliser un extincteur SEULEMENT si:
 - Il s'agit d'un extincteur de classe ABC, dont on connaît le fonctionnement.
 - Il s'agit d'un petit feu encore limité à l'endroit où il s'est déclaré.
 - Les pompiers ont été contactés.
 - YII est possible de garder le dos orienté vers une sortie pendant l'opération de lutte contre le feu.

^aRecommandations tirées des conseils de sécurité en cas d'incendie de cuisine publiés par la NFPA.

⚠ ATTENTION

Pour réduire le risque d'incendie ou de choc électrique, ne pas utiliser ce ventilateur avec un quelconque dispositif de réglage de la vitesse à semiconducteurs.

⚠ ATTENTION

Ne pas laisser les enfants à proximité de cet appareil. Ne laissez pas les enfants jouer avec cet appareil. Conservez tous les matériaux d'emballage hors de la portée des enfants.

Jetez les matériaux d'emballage après que cet appareil ait été déballé.

Lire et conserver ces Instructions

Exigences d'Installation

Exigences électriques

IMPORTANT

Observez tous les codes et ordonnances en vigueur.

Il est de la responsabilité du client:

De contacter un installateur électrique qualifié.

Vérifier que l'installation électrique est adéquate et conforme avec le Code national de l'électricité, ANSI/NFPA 70 (la plus récente édition*), ou les normes C22.1-94, Code canadien de l'électricité, Partie 1 et C22.2 No.0-M91 (La plus récente édition**) de la CSA, ainsi que tous les codes et les ordonnances de votre région.

Si les codes le permettent et qu'un fil de terre séparé est utilisé, il est recommandé qu'un électricien qualifié détermine que le chemin de terre est adéquat.

Une copie des normes de code ci-dessus peut être obtenue auprès de:

National Fire Protection Association

1 Batterymarch Park

Quincy, MA 02169-7471

CSA International

8501 East Pleasant Valley Road

Cleveland, OH 44131-5575

- Un circuit électrique à fusible de 120 volts, 60 Hz, CA uniquement, 15 A est requis.
- Si la maison a un câblage en aluminium, suivez la procédure ci-dessous:
 1. Connectez une section de fil de cuivre massif aux fils en queue de cochon.
 2. Connectez le câblage en aluminium à la section supplémentaire du fil de cuivre à l'aide de connecteurs spéciaux et/ou d'outils conçus et répertoriés UL pour joindre le cuivre à l'aluminium.
- Suivez la procédure recommandée par le fabricant du connecteur électrique. La connexion en aluminium / cuivre doit être conforme aux codes locaux et aux pratiques de câblage acceptées par l'industrie.
- Les dimensions des fils et les connexions doivent être conformes à la portée et spécifications opérationnelles nominales de l'appareil tel que spécifiées sur la plaque signalétique du modèle / série. La plaque signalétique du modèle est située derrière le filtre sur la paroi arrière de la hotte.
- Les dimensions des fils doivent être conformes aux exigences du National Electrical Code, ANSI / NFPA 70 (dernière édition) ou aux normes CSA C22.1-94, Code canadien de l'électricité, partie 1 et C22.2 n° 0-M91 (dernière édition) et tous les codes et ordonnances locaux.

Si un branchement électrique est accessible, raccorder la hotte à une prise conforme aux codes et réglementations en vigueur et s'assurer que la prise est dans une position permettant l'installation de la hotte. Si un branchement électrique n'est pas accessible dans le lieu d'installation (connexion directe au réseau électrique) ou si la prise n'est pas en position d'installation, placez un interrupteur bipolaire homologué dans une position accessible qui assure une déconnexion complète dans des conditions de surtension de catégorie III, conformément aux règles locales de câblage.

Lorsque le produit est connecté par une fiche à la prise, la fiche doit rester visible après l'installation du produit.

Exigences relatives à la ventilation (modèles à conduit uniquement)

- Le système de ventilation doit se terminer à l'extérieur.
- Ne terminez pas le système de ventilation dans un grenier ou dans un autre endroit fermé.
- N'utilisez pas de capuchon mural de type lessive de 4 "(10,2 cm).
- Utilisez un évent rond en métal de 7 po (17,8 cm) uniquement. Un évent métallique rigide est recommandé. Un évent en plastique ou en feuille métallique n'est pas recommandé.
- La longueur du système de ventilation et le nombre de coudes doivent être réduits au minimum pour assurer une performance efficace.

Pour un fonctionnement le plus efficace et silencieux:

- N'utilisez pas plus de trois coudes à 90 °.
- Assurez-vous qu'il y a un minimum de 30 "(76,2 cm) de ventilation droite entre les coudes si plus d'un coude est utilisé.
- N'installez pas 2 coudes ensemble.
- Utilisez des pinces pour sceller tous les joints du système de ventilation.
- Le système de ventilation doit avoir un registre. Si le toit ou le chapeau mural a un registre, n'utilisez pas le registre fourni avec la hotte.
- Utilisez du calfeutrage pour sceller le mur extérieur ou l'ouverture du toit autour du capuchon.
- La taille de l'évent doit être uniforme.

Exigences d'Installation

Méthodes de ventilation

Pour utiliser la sortie supérieure de la hotte pour ventiler votre hotte, un conduit évent rond de 7" (17,8 cm) ou plus avec un une longueur maximale de système de ventilation de 15,2 m (50 pi) est requise. Ces systèmes de ventilation ne sont pas inclus et doivent être achetés séparément.

REMARQUE

- Le système de ventilation est optionnel pour ce modèle.
- Un évent flexible n'est pas recommandé. L'évent flexible crée une contre-pression et des turbulences d'air qui réduisent considérablement les performances. Le système de ventilation peut se terminer par le toit ou le mur. Pour évacuer à travers un mur, un coude à 90 ° est nécessaire.

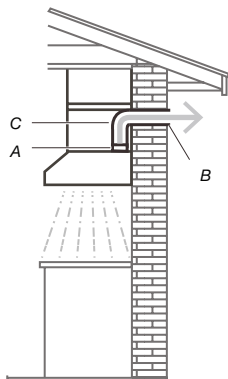
Hauteur de montage

Installez la hotte à au moins 24 po (61,0 cm) au-dessus d'une surface de cuisson électrique, à au moins 30 po (76,2 cm) au-dessus d'une surface de cuisson au gaz et à 30 po (76,2 cm) au-dessus de l'une ou l'autre surface.

Décharge horizontale

Un coude à 90 ° peut être installé immédiatement au-dessus de la hotte.

Décharge horizontale

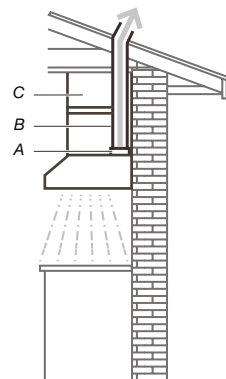


A. Évent rectangulaire de 3 1/4 x 10" (8,3 x 25,4 cm) ou évent rond de 7" (17,8 cm).

B. Capuchon mural avec registre (non inclus).

C. coude à 90 °

Décharge verticale



A. Évent rectangulaire de 3 1/4" x 10" (8,3 x 25,4 cm) ou évent rond de 7" (17,8 cm).

B. Cabinet

C. Capuchon de toit avec registre (non inclus).

Installations par temps froid

Un registre de refoulement supplémentaire doit être installé pour minimiser le flux d'air froid vers l'arrière et une coupure thermique doit être installée pour minimiser la conduction des températures extérieures dans le cadre du système de ventilation. Le registre doit être du côté air froid de la coupure thermique.

La coupure doit être aussi proche que possible de l'endroit où le système de ventilation pénètre dans la partie chauffée de la maison.

Air D'appoint

- Lors de l'utilisation de systèmes de ventilation avec une circulation d'air supérieure à la valeur spécifiée en CFM, passez en revue les codes du bâtiment locaux car ils peuvent nécessiter des systèmes d'air d'appoint. Consultez un professionnel du CVC pour connaître les exigences spécifiques à votre région, car les exigences CFM peuvent varier d'un endroit à l'autre.
- Consultez un professionnel du CVC pour sélectionner la hotte de cuisinière à capacité CFM adaptée à votre application. La capacité en CFM dépend de la cote de BTU de la cuisinière ou de la table de cuisson, de la taille et de l'emplacement, de la taille de la cuisine et des conduits de la hotte dans la cuisine.

Exigences d'Installation

Outils et Pièces

Retirer l'emballage

⚠ MISE EN GARDE





Retirez soigneusement le carton. Portez des gants pour vous protéger des arêtes vives.

⚠ ATTENTION

Retirez le film protecteur recouvrant le produit avant sa mise en service.

Pièces fournies

- Ensemble de hotte avec ventilateur et lampes LED déjà installés.
- Sac de matériel avec:

Pièce	Qté	Pièce	Qté
 5 x 45 mm	2	 Adapteur Torx® T10	1
 8 x 45 mm	2	 4.5x13 mm	4

Outils/matériaux nécessaires

- Niveau
- Perceuse avec forets de $\frac{1}{8}$ " (3 mm), $\frac{1}{2}$ " (13 mm) et $1\frac{1}{4}$ " (30 mm)
- Crayon
- Pince à dénuder ou couteau utilitaire
- Ruban à mesurer ou règle
- Pinces
- Pistolet à calfeutrer et composé de calfeutrage résistant aux intempéries
- Scie sabre ou scie à guichet
- Cisailles métalliques
- Tournevis:
 - Phillips (cruciforme) No. 2
 - De lame plate

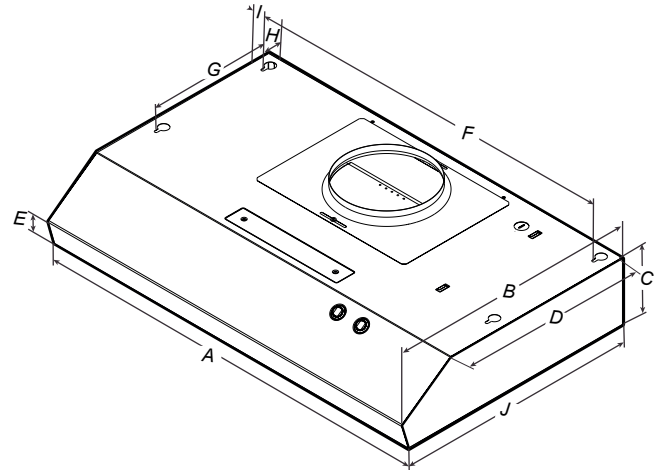
Pièces nécessaires

- Câble d'alimentation domestique
- Décharge de traction de $\frac{1}{2}$ po (12,7 mm) homologuée UL ou approuvée CSA
- 3 connecteurs de fils répertoriés UL

Pour les installations rondes ventilées de 7 "(17,8 cm)

- Système d'évent rond en métal de 7 "(17,8 cm) avec capuchon mural ou de toit
- Pinces d'évent

Dimensions et dégagements



NK30B3000US/AA	
A	30" (76 cm)
B	18 $\frac{3}{4}$ " (47,5 cm)
C	5" (12,5 cm)
D	14 $\frac{1}{2}$ " (36,7 cm)
E	2" (5 cm)
F	27 $\frac{15}{16}$ " (70,9 cm)
G	9" (22,9 cm)
H	1 $\frac{1}{2}$ " (3,8 cm)
I	1" (2,5 cm)
J	18 $\frac{1}{8}$ " (46 cm)

Installation de la Hotte

Instructions d'installation

Nous recommandons qu'un technicien qualifié installe la hotte. Il incombe à l'installateur de s'assurer que la hotte de cuisinière respecte les dégagements d'installation spécifiés pour le produit.

- Il est recommandé d'installer le système de ventilation avant d'installer la hotte.
- Si possible, déconnectez et déplacez les cuisinières autoportantes ou coulissantes des ouvertures de l'armoire pour faciliter l'accès à la paroi arrière.
- Avant de faire des coupes, assurez-vous qu'il y a un dégagement approprié dans le plafond ou le mur pour l'évent d'évacuation.
- Confirmez que toutes les pièces d'installation ont été retirées du carton d'expédition.

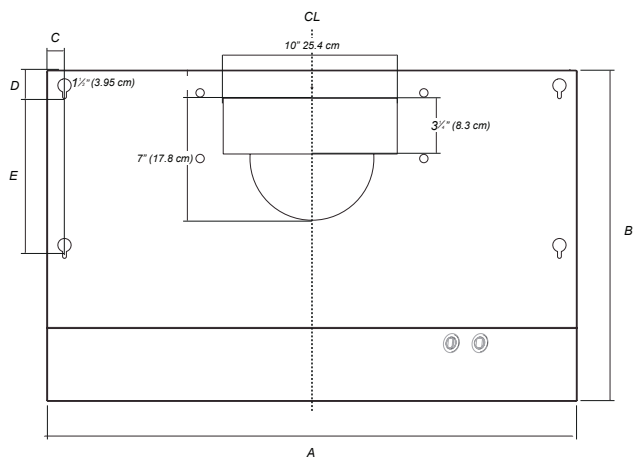
1. Coupez l'alimentation au panneau du disjoncteur ou à la boîte à fusibles.
2. Déterminez la méthode de ventilation à utiliser: toit, mur ou sans ventilation (recirculation).
3. Sélectionnez une surface plane pour l'assemblage de la hotte. Placez un revêtement sur cette surface.

Méthodes de ventilation

Échappement extérieur supérieur

Utilisez un conduit ou 7" (17,8 cm) ou plus avec un conduit rond d'une longueur maximale de 50 pi (15,2 m) pour l'évent système.

Utilisez le schéma ou la hotte comme gabarit et marquez les emplacements des conduits, du câblage électrique et des fentes de vis en trou de serrure.



A	30" (76 cm)
B	18 3/4" (47,5 cm)
C	1" (2,5 cm)
D	1 1/2" (3,8 cm)
E	9" (22,8 cm)

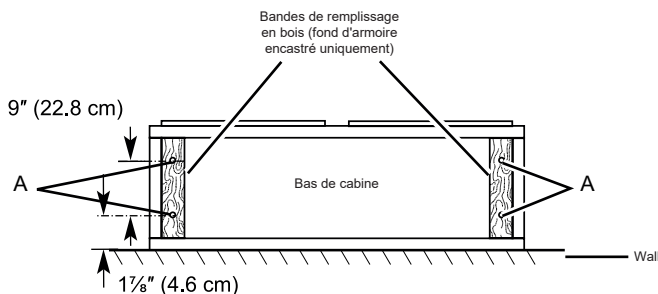
⚠ ATTENTION

IL FAUT DEUX PERSONNES OU PLUS POUR DÉPLACER ET INSTALLER LA HOTTE DE CUISINIÈRE. LE FAIRE SEUL PEUT ENTRAÎNER DES LÉSIONS.

📖 REMARQUE

Marquez les débouchures de la hotte sur le mur et faites les découpes nécessaires avant d'installer la hotte.

Préparez l'emplacement



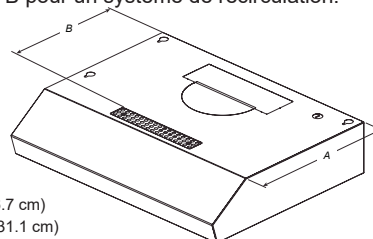
1. Si l'armoire a un fond en retrait, ajoutez des bandes de remplissage en bois de chaque côté. Installez 4 vis à bois à tête plate avec des rondelles et des écrous pour fixer les bandes de remplissage aux emplacements indiqués.

📖 REMARQUE

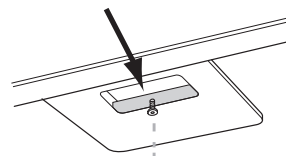
Pour les installations sur une surface autre qu'une cloison sèche, il est recommandé qu'un entrepreneur qualifié détermine la méthode d'ancrage.

📖 REMARQUE

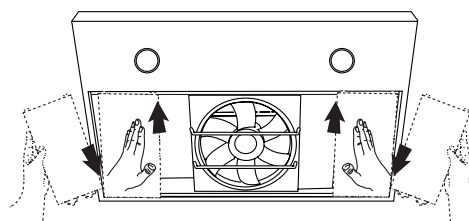
Pensez à utiliser la mesure A pour une transition ronde de 7" (17,8 cm) et la mesure B pour un système de recirculation.



2. Retirez le filtre à graisse en tirant le loquet du filtre vers l'arrière de la hotte et à l'aide d'un adaptateur Torx T10, retirez la vis du support de filtre.



3. Retirez les panneaux latéraux en les tirant horizontalement vers l'arrière de la hotte, puis relâchez les supports à l'avant.

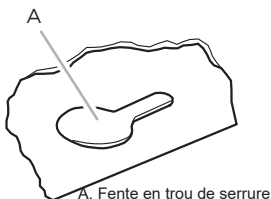


Installation de la Hotte

- À l'aide de 2 personnes ou plus, soulevez la hotte sous l'armoire et déterminez l'emplacement final en la centrant sous l'armoire. Marquez sur le dessous de l'armoire l'emplacement des 4 fentes de montage en trou de serrure sur la hotte (A)

REMARQUE

Marquez la zone mince de la fente. Sur le mur du fond, marquez les trous pour les vis de sécurité (B). Mettez la hotte de côté sur une surface couverte.



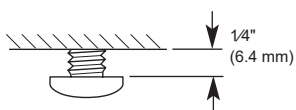
- Utilisez une mèche de $\frac{1}{8}$ " (3 mm) et percez 4 trous pilotes.

REMARQUE

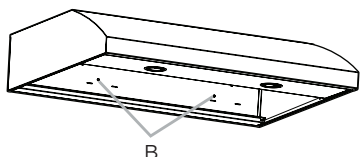
Percez les trous sur la zone mince de la fente.



- Installez les 4 vis de montage de 0,45 cm x 1,3 cm dans les avant-trous. Laisser un espace d'environ $\frac{1}{4}$ po (6,4 mm) entre les têtes de vis et l'armoire pour faire glisser la hotte de cuisinière en place

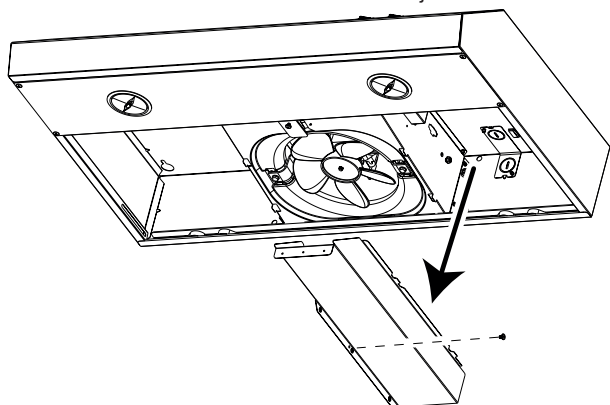


- Utilisez une mèche de $\frac{5}{16}$ " (8 mm) et percez 2 avant-trous dans les marques des vis de sécurité, puis placez les ancrages pour cloisons sèches.

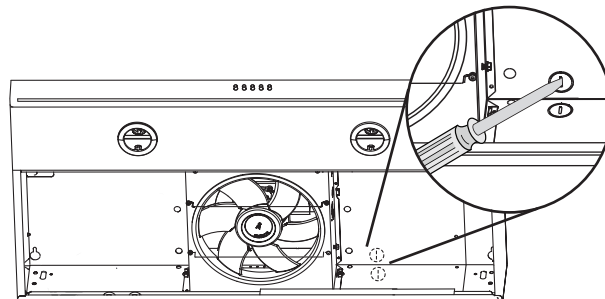


Préparer la hotte

- Déposez la hotte de dos sur une surface couverte, le dos en contact avec la surface douce.
- Dévisser et retirer le couvercle de la boîte de jonction

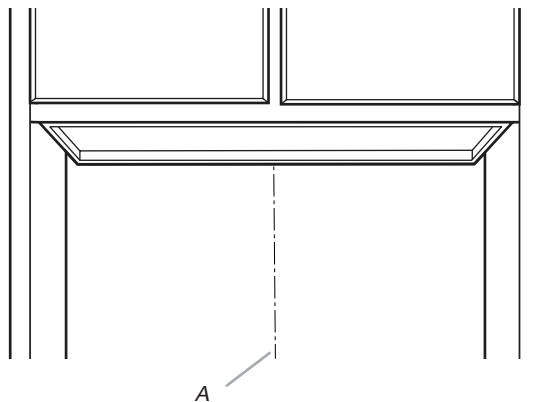


- À l'aide d'un tournevis à lame plate, retirez la découpe d'alimentation appropriée.



Marquer les emplacements des trous

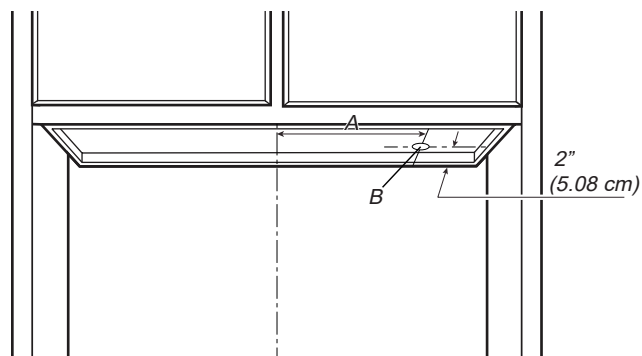
- Déterminez et marquez clairement une ligne centrale (médiante) verticale sur le mur et le bas de l'armoire.



A. Centerline

Pour câbler par le haut:

- Marquez une distance de ligne (A) à partir de la droite de la ligne médiane sur la face inférieure du l'armoire. Marquez le point sur cette ligne qui est à 2" (5,08 cm) du dessous du mur. Percez un trou de $\frac{7}{8}$ po (2,2 cm) de diamètre (B) à travers la paroi arrière à ce stade

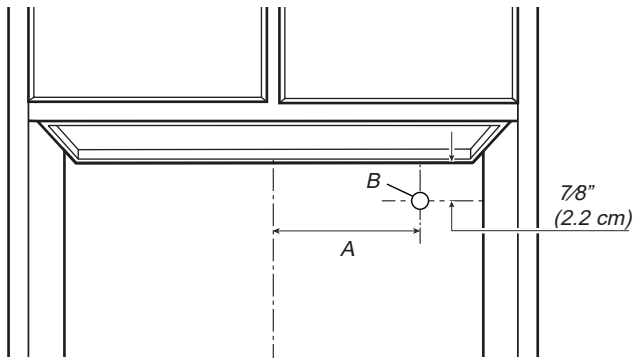


A. 8 2/5" (21.3cm)

Installation de la Hotte

Pour câbler à travers le mur:

1. Marquez une distance de ligne (A) à partir de la droite de la ligne médiane sur la face inférieure de l'armoire. Marquez le point sur cette ligne qui est à $\frac{7}{8}$ " (2.2 cm) du dessous de l'armoire. Percez un trou de $\frac{7}{8}$ po (2,2 cm) de diamètre (B) à travers la paroi arrière à ce stade.



A. 8 2/5" (21.3cm)

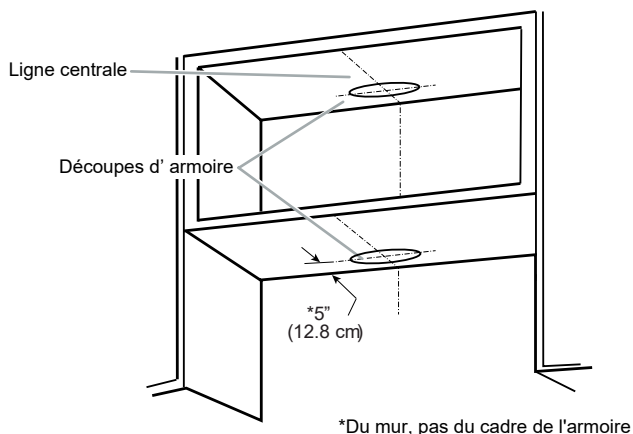
Marquer et couper l'ouverture de l'évent

Pour une installation non ventilée (recirculation): sautez l'étape «Marquer et couper l'ouverture d'évent».

Pour système de ventilation ronde de 7 "(17,8 cm) (ventilation de toit)

Pour faire une ouverture d'aération circulaire sur la face inférieure du dessus de l'armoire:

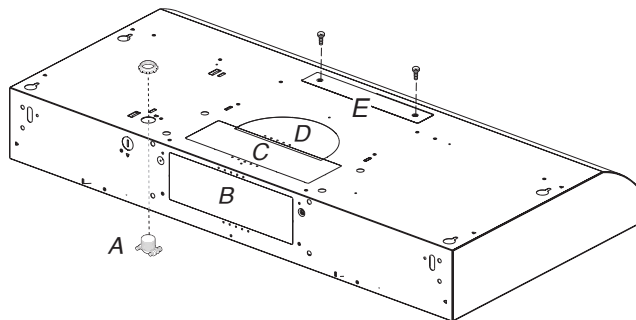
1. Marquez une ligne médiane sur la face inférieure du haut de l'armoire.
2. Tracez une ligne à 5 "(12,8 cm) du mur arrière sur la face inférieure du haut de l'armoire.
3. Utilisez une boussole ou un gabarit circulaire pour dessiner un cercle d'un diamètre de $7\frac{1}{2}$ " (19 cm).
4. Utilisez une scie sabre ou une scie à guichet pour couper l'ouverture de ventilation circulaire. Répétez les étapes 1 à 3 pour le dessous du haut de l'armoire.



Percer L'ouverture Électrique

1. À l'aide d'un foret de $1\frac{1}{4}$ " (3 cm), percez le trou dans le point marqué précédemment au niveau de la décharge de traction électrique.

Préparer les événements de hotte



Installer le réducteur de tension

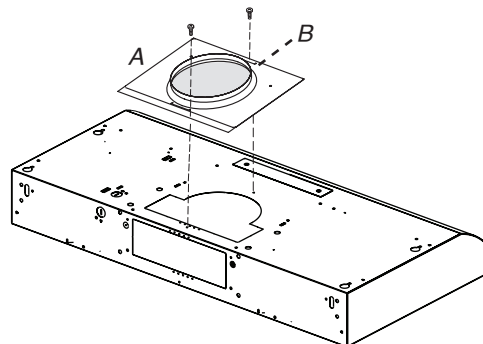
1. Installez une décharge de traction (A) de $\frac{1}{2}$ " (13 mm) homologuée UL / CSA.

Pour les installations non ventilées (recirculation)

Retirez les (2) vis Torx® T10 et retirez le couvercle de ventilation rectangulaire avant supérieur (E). Passez à l'étape « Connexion électrique ».

Plaque de montage ronde de 7 "(17,8 cm)

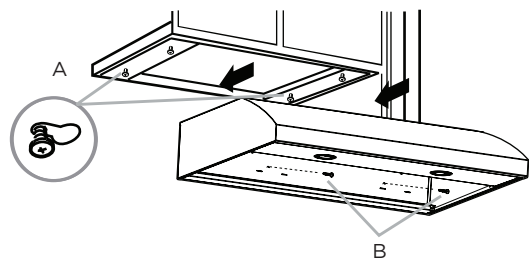
1. À l'aide de (2) vis cruciformes courtes, installez la plaque de montage d'évent ronde de 7 "(17,8 cm) (A) sur les débouchures d'évent retirées à l'étape précédente. Positionnez la large bride (B) vers l'avant.



Installation de la Hotte

Montage de la hotte

1. À l'aide de 2 personnes ou plus, soulevez le capot en position finale. Faites passer suffisamment de fil électrique à travers le serre-câble de 1/2" homologué UL ou CSA pour effectuer les connexions dans la boîte à bornes. Serrez les vis de décharge de traction.
2. Positionnez la hotte de manière à ce que la grande extrémité des fentes en trou de serrure soit sur les vis de montage. Poussez ensuite la hotte vers le mur afin que les vis soient dans le col des fentes. Installez les vis de montage de 0,5 cm x 4,5 cm dans les ancrages pour cloisons sèches.



A. Vis de montage (4)
B. Vis de sécurité

3. Serrez les vis de montage, en vous assurant que les vis sont dans le col étroit des fentes.
4. Serrez les vis de sécurité au mur.
5. Pour les installations à fil direct, faites passer le câble d'alimentation domestique conformément au Code national de l'électricité ou aux normes CSA et aux codes et ordonnances locaux. Il doit y avoir suffisamment de câblage du boîtier de sectionnement à fusible (ou du disjoncteur) pour effectuer la connexion dans la boîte à bornes électrique de la hotte.

REMARQUE

Ne reconnectez pas l'alimentation tant que l'installation n'est pas terminée.

FACULTATIF: Si vous préférez, pliez les languettes arrière contre l'arrière de la hotte et fixez-les au mur à l'aide de vis à tête bombée n° 8-18 x 5/8" (4,2 x 16 mm).

Connecter le système de ventilation

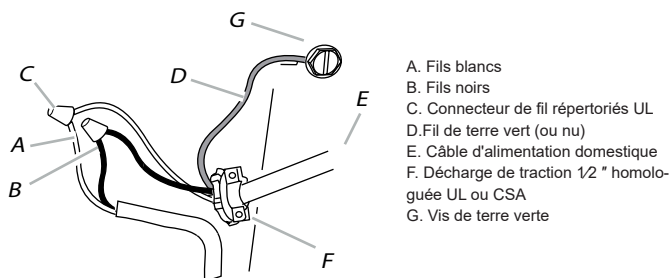
1. Connectez le conduit de ventilation à la hotte.
2. Sceller les joints avec des colliers de ventilation ou du ruban adhésif pour les rendre sûrs et étanches.
3. Vérifiez que les volets anti-retour fonctionnent correctement.

Connexion Électrique

ATTENTION

RISQUE DE CHOC ÉLECTRIQUE.

DÉBRANCHEZ L'ALIMENTATION AVANT L'ENTRETIEN. REMPLACER TOUTES LES PIÈCES ET LES PANNEAUX AVANT L'UTILISATION. NE PAS LE FAIRE PEUT ENTRAÎNER LA MORT OU UN CHOC ÉLECTRIQUE.



A. Fils blancs
B. Fils noirs
C. Connecteur de fil répertoriés UL
D. Fil de terre vert (ou nu)
E. Câble d'alimentation domestique
F. Décharge de traction 1/2" homologuée UL ou CSA
G. Vis de terre verte

1. Retirez le débouchure et le couvercle de la boîte de jonction, puis installez le connecteur de conduit (répertorié cULus) dans la boîte de jonction.
2. Faites passer 3 fils - noir, blanc et vert - conformément au Code national de l'électricité et aux codes et ordonnances locaux, dans un conduit de 1/2 po du panneau de service à la boîte de jonction.

ATTENTION

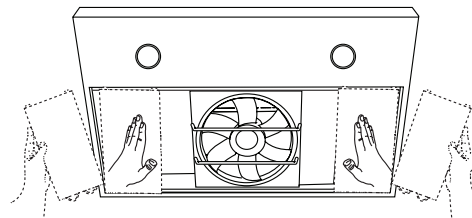
FAITES LA MISE À LA TERRE ÉLECTRIQUE DU VENTILATEUR.

BRANCHEZ LE FIL DE MISE À LA TERRE AUX FILS DE MISE À LA TERRE VERTS ET JAUNES DE LA BOÎTE DE BORNES. NE PAS LE FAIRE PEUT ENTRAÎNER LA MORT OU UN CHOC ÉLECTRIQUE.

3. Connectez le fil noir du panneau de service au noir ou au rouge de la boîte de jonction. Connectez le blanc au blanc et le vert au vert-jaune.
4. Fermez et fixez le couvercle de la boîte de jonction avec la vis précédemment retirée..

Terminer l'installation

1. Placez les panneaux latéraux en les faisant glisser horizontalement depuis l'arrière de la hotte, puis fixez les supports à l'avant.



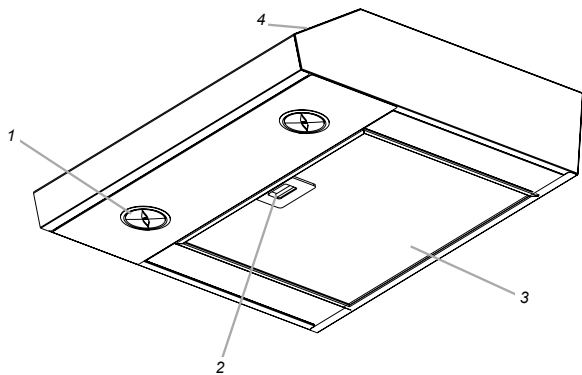
2. Placez les filtres et vérifiez le fonctionnement de la hotte.
 - **Pour les installations ventilées:** installez uniquement le filtre à graisse métallique.
 - **Pour les installations sans ventilation (recirculation):** installez un filtre à charbon et un filtre à graisse métallique.

Si la hotte ne fonctionne pas:

- Vérifiez que le disjoncteur n'est pas déclenché ou que le fusible de la maison n'a pas sauté.
- Débranchez l'alimentation électrique, puis vérifiez si le câblage est correct.
- Pour tirer le meilleur parti de votre nouvelle hotte, lisez la section «Utilisation de la hotte».
- Conservez ces instructions d'installation et le guide d'utilisation et d'entretien à proximité de la hotte pour une référence facile.

Utilisation et entretien de la hotte

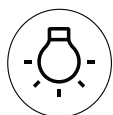
Description de la hotte



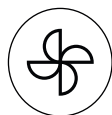
1. Lampes LED
2. Poignée du filtre

3. Filtre
4. Contrôle

Commandes de la hotte



A



B

A. Allumer/Éteindre la lampe
B. Bouton d'arrêt du ventilateur

Fonctionnement de la lumière

1. Le bouton Light On / Off (A) contrôle les deux lumières. Appuyez une fois pour ON (allumer) et à nouveau pour OFF (éteindre).

Fonctionnement du ventilateur

1. Pour mettre le ventilateur en marche, appuyez sur le bouton d'arrêt du ventilateur (B), appuyez sur le bouton à nouveau pour éteindre le ventilateur.

Nettoyage

Surfaces externes :

Pour éviter d'endommager la surface extérieure, n'utilisez pas de laine d'acier ou de tampons à récurer savonneux. N'utilisez pas de nettoyants à base de chlore. Frottez dans le sens de la ligne de grain pour éviter de rayer la surface.

- Pour un nettoyage en profondeur, utilisez un nettoyant et poli pour acier inoxydable.
- Pour le nettoyage quotidien, utilisez un détergent liquide doux et de l'eau. Sécher soigneusement.
- Pour un nettoyage rapide, essuyez avec un chiffon doux humide ou une éponge non abrasive, puis rincez à l'eau claire et essuyez.

REMARQUE

Essuyez toujours pour éviter les traces d'eau.

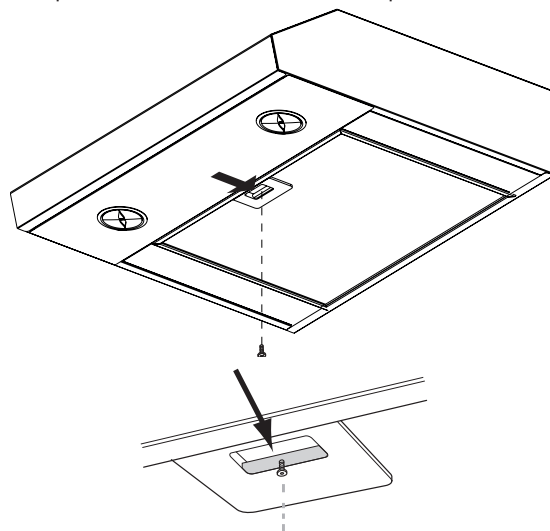
Filtre à graisse en métal

Pour les installations ventilées :

- Lavez le filtre métallique si nécessaire dans un lave-vaisselle ou dans une solution détergente chaude.
- Si nécessaire, remplacez le filtre à graisse métallique.
- Lorsqu'il est lavé dans un lave-vaisselle, le filtre à graisse peut se décolorer légèrement, mais cela n'affecte pas sa capacité de filtrage.

Pour remplacer le filtre à graisse métallique :

1. Retirez le filtre en tirant le loquet vers l'arrière de la hotte et, à l'aide d'un adaptateur Torx T10, retirez la vis du dispositif de retenue du filtre, remplacez le filtre et remettez la vis en place.



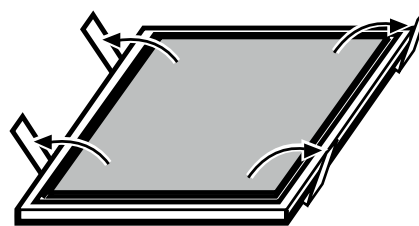
Filtre à Charbon

Pour les installations non ventilées (recirculation):

Le filtre à charbon n'est pas lavable. Il devrait durer jusqu'à 6 mois avec une utilisation normale. Jetez l'ancien filtre à charbon.

Pour remplacer le filtre à charbon:

1. Retirez le filtre à graisse métallique de la hotte. Voir «Filtre à graisse métallique» dans cette section.
2. Pliez les pinces à ressort loin du filtre à graisse métallique.



3. Placez le filtre à charbon dans la partie supérieure du filtre métallique.
4. Réinsérez le filtre à graisse métallique dans la hotte.
5. Remplacez la vis du support de filtre.

Le filtre à charbon n'est pas inclus dans le produit, veuillez donc l'acheter via le centre de service ci-dessous si nécessaire. (Numéro de code: DG81-03610A)

S'il vous plaît contactez SAMSUNG at:

- 1-800-SAMSUNG (726-7864) or
www.samsung.com/ca/support (English)
www.samsung.com/ca_fr/support (French)
www.samsung.com/us/support (English)

Remplacement de la lampe LED

Les lumières LED ne peuvent être remplacées que par un technicien de maintenance.

Utilisation et entretien de la hotte

Hotte de cuisinière pour conformité ADA

Les hottes de cuisine peuvent être installées conformément aux sections 308 et 309 des directives de l'ADA, lorsqu'elles sont utilisées avec des commandes montées de manière appropriée installées à une distance de 15 "(38,1 cm) à 40" (101,6 cm) du sol et l'accès aux commandes ne nécessite pas l'accès au dessus d'une cuisine appareil.

Les hottes de cuisinière suivante NK30B3000US/AA peuvent fonctionner dans une situation conforme à l'ADA lorsque la hotte est câblée pour fonctionner à partir d'un interrupteur mural électrique standard dédié. Pour faciliter cette application, partagez les informations des pages suivantes avec votre électricien lors de la préparation de l'installation.

REMARQUE

Tous les modèles ne peuvent être contrôlés que par un seul commutateur à distance (le commutateur active ou désactive le moteur et la lumière du capot).

AVERTISSEMENT

Tous les travaux électriques doivent être effectués conformément aux codes locaux, aux ordonnances ou au code national de l'électricité, selon le cas. Pour des raisons de sécurité, ce produit doit être installé dans un boîtier de commande mis à la terre. L'installation du câblage électrique doit être effectuée par un technicien qualifié.

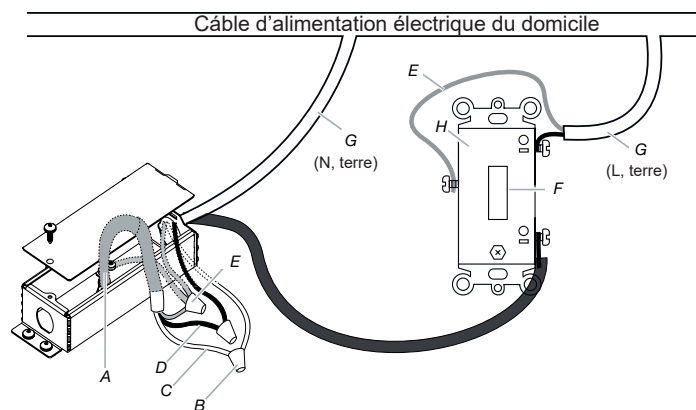
AVERTISSEMENT

Risque de choc électrique

Débranchez l'alimentation avant de procéder à l'entretien.

Remplacez toutes les pièces et les panneaux avant de faire fonctionner.

Ne pas le faire peut entraîner la mort ou un choc électrique.



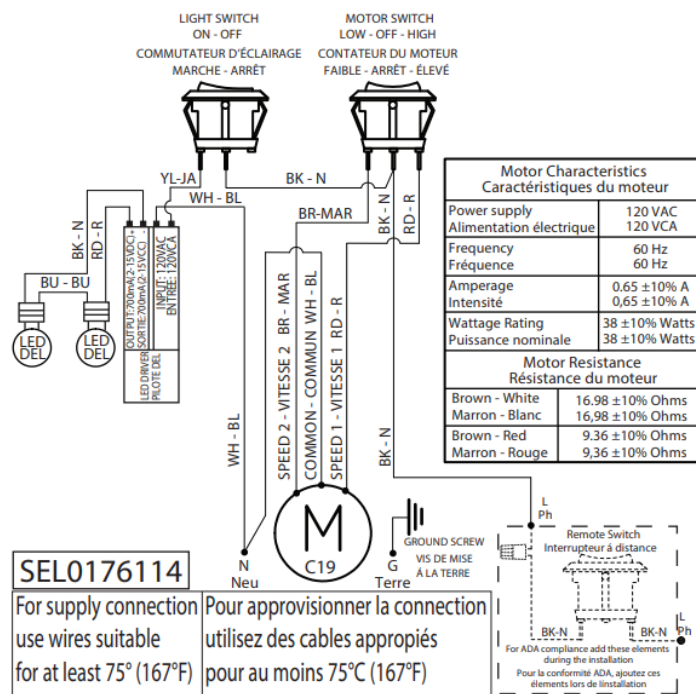
- A. Câble de hotte
- B. Connecteur de fil répertorié UL
- C. Fils blancs (N)
- D. Fils noirs (L)
- E. Vert (ou nu) et sol jaune-vert

- F. Interrupteur listé UL
- G. Câble d'alimentation domestique
- H. Caisson de commutation simple et profond

AVERTISSEMENT

Pour éviter un incendie ou un choc électrique, couper le courant au niveau du disjoncteur ou du fusible. Vérifiez que l'appareil est hors tension avant de procéder au câblage.

1. MONTER LA BOÎTE DE COMMUTATION. Installez une boîte de commutation d'un seul groupe de 3 1/2" de profondeur
1. ATTACHEZ LE CABLE D'ALIMENTATION. Fixer le câblage au boîtier de commutation et à l'unité à l'aide d'une pince appropriée. Prévoir des câbles de 6" à l'intérieur du boîtier et du ventilateur pour faciliter le câblage.
2. CONNECTER LE CÂBLAGE. Instructions générales:
 - Assurez-vous que le boîtier de commande et l'appareil sont correctement mis à la terre.
 - Assurez-vous que le fil de terre est solidement fixé à la vis de terre du contrôle. Serrer la vis de terre.
 - Utilisez des tailles d'écrou de fil appropriées pour le nombre et la taille des fils.
 - Pour les bornes à pression et à vis: Utilisez min. Fil de cuivre massif # 14 AWG uniquement.
 - Serrer les bornes à vis.
 - Effectuez les connexions électriques en suivant le schéma approprié.



2. MONTER LA COMMANDE DANS LA BOÎTE D'INTERRUPTEUR. Rentrez les fils dans le boîtier de commutation et fixez la commande au boîtier à l'aide des vis fournies.
3. ATTACHEZ LA PLAQUE DE COMMUTATION. Fixez la plaque d'interrupteur à la commande à l'aide des vis courtes du sac de pièces. Consultez les informations de contact dans la section Garantie.

HOTTE SAMSUNG

Garantie limitée à l'acheteur d'origine

Ce produit de la marque SAMSUNG, qui est fourni et distribué par la société Samsung Electronics America, Inc. (SAMSUNG) et livré neuf, dans son carton d'origine à l'consommateur, est garanti par Samsung contre les défauts de fabrication à la fois dans les matériaux et de fabrication pour une période de garantie limitée à compter de la date de livraison à l'consommateur, de:

UN (1) AN PIÈCES ET MAIN D'ŒUVRE

Cette garantie limitée n'est valable que pour les produits achetés et utilisés aux Etats-Unis qui ont été installés, utilisés et entretenus conformément aux instructions jointes ou fournies avec le produit. Pour se prévaloir du service de garantie, l'consommateur doit contacter SAMSUNG à l'adresse ou au numéro de téléphone fournis ci-dessous afin d'établir les procédures relatives au diagnostic et à l'intervention nécessaire. Pour être couverte par la garantie, la maintenance ne peut être effectuée que par un service technique agréé SAMSUNG. Lors de la remise d'un produit défectueux à SAMSUNG ou à un centre de service SAMSUNG agréé, l'acquéreur est tenu de présenter le coupon d'achat d'origine ou le bon de livraison à la demande des intéressés à titre de preuve d'achat. SAMSUNG réparera ou remplacera ce produit, à notre gré et sans frais comme stipulé ici, avec des pièces ou des produits neufs ou reconditionnés si ils sont jugés défectueux pendant la période de garantie limitée spécifiée ci-dessus. Toutes les pièces et les produits remplacés deviennent la propriété de SAMSUNG et doivent être retournés à SAMSUNG. Les pièces et produits de rechange reprennent la garantie d'origine ou quatre-vingt-dix (90) jours, la plus longue des deux étant la valable.

Le service à domicile sera assuré pendant la période de travail de garantie sous réserve de disponibilité dans les Etats-Unis. Le service à domicile n'est pas disponible dans tous les domaines. Pour recevoir le service à domicile, le produit doit être non bloqué et accessible au personnel. Si au cours de la réparation à domicile cela ne peut être possible, il peut être nécessaire d'enlever, réparer et de retourner (renvoyer) le produit.

Cette garantie limitée couvre les défauts de fabrication des matériaux et de fabrication rencontrés dans l'utilisation non commerciale normale de ce produit et ne sont pas applicables à celui-ci, y compris, mais pas limiter : aux dommages qui se produisent lors de l'expédition ; la livraison et l'installation ; les applications et utilisations pour lesquelles ce produit n'est pas prévu : modifier les produits ou numéros de série ; les dommages esthétiques ou finition extérieure ; accidents ; abus ; négligences ; le feu ; l'eau ; la foudre ; et d'autres actes qui émanent de la nature ; utilisation des produits, équipements, systèmes, services publics, services, pièces, fournitures, accessoires, applications, installations, réparations, câblage

externe ou connecteurs non fournis ou autorisés par SAMSUNG qui endommagent ce produit ou peut entraîner des problèmes d'utilisation ; incorrecte tension de la ligne électrique, les fluctuations et les surtensions ; ajustement fait par les clients et le non-respect des instructions d'utilisation, le nettoyage, l'entretien, et les instructions de l'environnement qui sont couverts et prescrits dans le livre d'instruction ; les problèmes causés par les infestations de ravageurs, et la surchauffe par l'utilisateur.

IL N'Y A AUCUNE GARANTIE EXPRESSE AUTRE QUE CELLE FIGURANT CI-DESSUS ET AUCUNE GARANTIE EXPLICITE OU IMPLICITE, Y COMPRIS, MAIS PAS LIMITER, TOUTE GARANTIE IMPLICITE DE QUALITE MARCHANDE OU D'ADAPTATION A UN USAGE PARTICULIER, SONT APPLICABLES APRES LA PERIODE EXPRESSE DE GARANTIE DONNEE PAR TOUTE PERSONNE ENTREPRISE OU SOCIETE EN MATIERE DE CE PRODUIT EST OBLIGATOIRE SUR SAMSUNG. SAMSUNG NE SERA PAS RESPONSABLE POUR LA PERTE DE REVENUS OU DE PROFITS DEFAUT DE REALISER DES ECONOMIES OU AUTRES AVANTAGES OU TOUT AUTRE DOMMAGES SPECIAUX, DIRECTS OU INDIRECTS CAUSES PAR L'UTILISATION, MAUVAISE UTILISATION OU L'INCAPACITE D'UTILISER CE PRODUIT QUELLE QUE SOIT LA THEORIE JURIDIQUE SUR LAQUELLE LA RECLAMATION REPOSE, ET MEME SI SAMSUNG A ETE AVERTI DE LA POSSIBILITE DE TELS DOMMAGES. NI DE RECUPERATION DE QUELQUE NATURE QUE CONTRE SAMSUNG NE SERA SUPERIEUR AU MONTANT DU PRIX D'ACHAT DU PRODUIT VENDU PAR SAMSUNG ET CAUSER LE DOMMAGE ALLEGUE. SANS LIMITER CE QUI PRECEDE, L'ACHETEUR ASSUME TOUS LES RISQUES ET RESPONSABILITES POUR LES PERTES, DOMMAGES OU BLESSURES POUR L'ACHETEUR ET LES BIENS DE L'ACHETEUR ET AUX AUTRES ET DE LEURS BIENS PROVENANT DE L'UTILISATION MAUVAISE UTILISATION OU L'INCAPACITE D'UTILISER CE PRODUIT VENDU PAR SAMSUNG QUI NE SOIT PAS DIRECTEMENT CAUSES PAR LA NEGLIGENCE DE SAMSUNG. CETTE GARANTIE LIMITEE NE S'ETEND A PERSONNE D'AUTRE QUE L'ACHETEUR D'ORIGINE DE CE PRODUIT ET EST NON TRANSFERABLE ET EST VOTRE RECOURS EXCLUSIF.

Certaines provinces ou territoires peuvent ou peuvent ne pas permettre de limiter la durée d'une garantie implicite ou l'exclusion ou la limitation des dommages indirects ou consécutifs, les limitations ou exclusions ci-dessus peuvent ne pas vous concerner. Cette garantie vous donne des droits spécifiques légaux, et vous pouvez avoir d'autres droits qui varient d'un Etat à l'autre.

Pour obtenir un service de garantie, s'il vous plaît contactez SAMSUNG à:

**1-800-SAMSUNG (726-7864) ou
www.samsung.com/us/support**

HOTTE SAMSUNG

Garantie limitée à l'acheteur d'origine

Ce produit de la marque SAMSUNG, qui est fourni et distribué par la société Samsung Electronics Canada, Inc. (SAMSUNG) et livré neuf, dans son carton d'origine à l'consommateur, est garanti par Samsung contre les défauts de fabrication à la fois dans les matériaux et de fabrication pour une période de garantie limitée à compter de la date de livraison à l'consommateur, de:

UN (1) AN PIÈCES ET MAIN D'ŒUVRE

Cette garantie limitée n'est valable que pour les produits achetés et utilisés aux États-Unis qui ont été installés, utilisés et entretenus conformément aux instructions jointes ou fournies avec le produit. Pour se prévaloir du service de garantie, l'consommateur doit contacter SAMSUNG à l'adresse ou au numéro de téléphone fournis ci-dessous afin d'établir les procédures relatives au diagnostic et à l'intervention nécessaire. Pour être couverte par la garantie, la maintenance ne peut être effectuée que par un service technique agréé SAMSUNG. Lors de la remise d'un produit défectueux à SAMSUNG ou à un centre de service SAMSUNG agréé, l'acquéreur est tenu de présenter le coupon d'achat d'origine ou le bon de livraison à la demande des intéressés à titre de preuve d'achat.

SAMSUNG réparera ou remplacera ce produit, à notre gré et sans frais comme stipulé ici, avec des pièces ou des produits neufs ou reconditionnés si ils sont jugés défectueux pendant la période de garantie limitée spécifiée ci-dessus. Toutes les pièces et les produits remplacés deviennent la propriété de SAMSUNG et doivent être retournés à SAMSUNG. Les pièces et produits de rechange reprennent la garantie d'origine ou quatre-vingt-dix (90) jours, la plus longue des deux étant la valable.

Le service à domicile sera assuré pendant la période de travail de garantie sous réserve de disponibilité dans Canada. Le service à domicile n'est pas disponible dans tous les domaines. Pour recevoir le service à domicile, le produit doit être non bloqué et accessible au personnel. Si au cours de la réparation à domicile cela ne peut être possible, il peut être nécessaire d'enlever, réparer et de retourner (renvoyer) le produit.

Cette garantie limitée couvre les défauts de fabrication des matériaux et de fabrication rencontrés dans l'utilisation non commerciale normale de ce produit et ne sont pas applicables à celui-ci, y compris, mais pas limiter : aux dommages qui se produisent lors de l'expédition ; la livraison et l'installation ; les applications et utilisations pour lesquelles ce produit n'est pas prévu : modifie les produits ou numéros de série ; les dommages esthétiques ou finition extérieure ; accidents ; abus ; négligences ; le feu ; l'eau ; la foudre ; et d'autres actes qui émanent de la nature ; utilisation des produits, équipements, systèmes, services publics, services, pièces, fournitures, accessoires, applications, installations, réparations, câblage

externe ou connecteurs non fournis ou autorisés par SAMSUNG qui endommagent ce produit ou peut entraîner des problèmes d'utilisation ; incorrecte tension de la ligne électrique, les fluctuations et les surtensions ; ajustement fait par les clients et le non-respect des instructions d'utilisation, le nettoyage, l'entretien, et les instructions de l'environnement qui sont couverts et prescrits dans le livre d'instruction ; les problèmes causés par les infestations de ravageurs, et la surchauffe par l'utilisateur. SAMSUNG ne garantit pas l'utilisation ininterrompue ou l'opération erronée du produit.

IL N'Y A AUCUNE GARANTIE EXPRESSE AUTRE QUE CELLE FIGURANT CI-DESSUS ET AUCUNE GARANTIE EXPLICITE OU IMPLICITE, Y COMPRIS, MAIS PAS LIMITER, TOUTE GARANTIE IMPLICITE DE QUALITE MARCHANDE OU D'ADAPTATION A UN USAGE PARTICULIER, SONT APPLICABLES APRES LA PERIODE EXPRESSE DE GARANTIE DONNEE PAR TOUTE PERSONNE ENTREPRISE OU SOCIETE EN MATIERE DE CE PRODUIT EST OBLIGATOIRE SUR SAMSUNG. SAMSUNG NE SERA PAS RESPONSABLE POUR LA PERTE DE REVENUS OU DE PROFITS DEFAUT DE REALISER DES ECONOMIES OU AUTRES AVANTAGES OU TOUT AUTRE DOMMAGES SPECIAUX, DIRECTS OU INDIRECTS CAUSES PAR L'UTILISATION, MAUVAISE UTILISATION OU L'INCAPACITE D'UTILISER CE PRODUIT QUELLE QUE SOIT LA THEORIE JURIDIQUE SUR LAQUELLE LA RECLAMATION REPOSE, ET MEME SI SAMSUNG A ETE AVERTI DE LA POSSIBILITE DE TELS DOMMAGES. NI DE RECUPERATION DE QUELQUE NATURE QUE CONTRE SAMSUNG NE SERA SUPERIEUR AU MONTANT DU PRIX D'ACHAT DU PRODUIT VENDU PAR SAMSUNG ET CAUSER LE DOMMAGE ALLEGUE. SANS LIMITER CE QUI PRECEDE, L'ACHETEUR ASSUME TOUS LES RISQUES ET RESPONSABILITES POUR LES PERTES, DOMMAGES OU BLESSURES POUR L'ACHETEUR ET LES BIENS DE L'ACHETEUR ET AUX AUTRES ET DE LEURS BIENS PROVENANT DE L'UTILISATION MAUVAISE UTILISATION OU L'INCAPACITE D'UTILISER CE PRODUIT VENDU PAR SAMSUNG QUI NE SOIT PAS DIRECTEMENT CAUSES PAR LA NEGLIGENCE DE SAMSUNG. CETTE GARANTIE LIMITEE NE S'ETEND A PERSONNE D'AUTRE QUE L'ACHETEUR D'ORIGINE DE CE PRODUIT ET EST NON TRANSFERABLE ET EST VOTRE RECOURS EXCLUSIF.

Certaines provinces ou territoires peuvent ou peuvent ne pas permettre de limiter la durée d'une garantie implicite ou l'exclusion ou la limitation des dommages indirects ou consécutifs, les limitations ou exclusions ci-dessus peuvent ne pas vous concerner. Cette garantie vous donne des droits spécifiques légaux, et vous pouvez avoir d'autres droits qui varient d'un Etat à l'autre.

Pour obtenir un service de garantie, s'il vous plaît contactez SAMSUNG à:

1-800-SAMSUNG (726-7864) ou
www.samsung.com/us/support (Anglais),
www.samsung.com/ca_fr/support (Français)

Índice

Instrucciones Importantes de Seguridad	30
Requisitos Eléctricos	32
Requisitos de Ventilación	32
Requisitos de Instalación	33
Herramientas y Piezas	34
Instrucciones de Instalación	35
Métodos de Ventilación	35
Prepare la Ubicación	35
Instalación de la campana	35
Complete la Preparación	36
Determine la Ubicación del Orificio de Cableado	36
Perforaciones Conexión Eléctrica	37
Montaje de la Campana	38
Uso y Mantenimiento de la Campana	39
Descripción de la Campana	39
Controles de la Campana	39
Limpieza	39
Filtro de grasa metálico	39
Filtro de carbón	39
Campana extractora, cumplimiento con ADA	40
garantía (USA)	41
garantía (Canadá)	42

Instrucciones Importantes de Seguridad

**APROBADO PARA APARATOS DE USO DOMÉSTICO
SÓLO PARA USO DOMÉSTICO
LEA Y GUARDE ESTAS INSTRUCCIONES**

**ANTES DE CONTINUAR, LEA LAS INSTRUCCIONES POR COMPLETO.
LA INSTALACIÓN DEBE CUMPLIR CON TODA LA NORMATIVA LOCAL.**

- IMPORTANTE:** Guarde estas instrucciones para su uso por parte del inspector de electricidad local.
- INSTALADOR:** Entregue al propietario estas instrucciones con la unidad.
- PROPIETARIO:** Conserve estas instrucciones para futuras consultas.

Símbolos utilizados en este manual

ADVERTENCIA

Riesgos o prácticas inseguras que pueden resultar en serios daños personales o la muerte.

PRECAUCIÓN

Riesgos o prácticas inseguras que pueden resultar en choques eléctricos, daños personales o daño a la propiedad.

NOTA

Tips e instrucciones útiles.

Estos iconos de advertencia y símbolos están aquí para prevenir de daños a usted y los suyos. Favor de seguir las instrucciones al pie de la letra. Después de leer esta sección, guarde este documento en un lugar seguro para futuras referencias.

ADVERTENCIA

Desconecte el aparato de la corriente y bloquee el panel antes de llevar a cabo la conexión de este aparato.

Requisito: Circuito Auxiliar de R120 VAC, 60 Hz. 15 ó 20 A

Proposición 65 del estado de California (sólo US)

ADVERTENCIA

Este producto contiene químicos conocidos en el estado de California que causan cáncer y defectos de nacimiento u otros daños reproductivos.

1. Aviso FCC

PRECAUCIÓN

Cualquier cambio o modificaciones no aprobadas expresamente por la parte responsable por el cumplimiento puede anular la autoridad del usuario de operar el equipo.

Este dispositivo cumple con la Parte 15 de las reglas FCC. La operación del dispositivo está sujeta a las siguientes 2 condiciones:

1. Este dispositivo no debe de causar interferencia dañina, y
1. Este dispositivo debe aceptar ninguna interferencia que pueda causar un funcionamiento no deseado.

Para productos vendidos en los mercados Estadounidense y Canadiense, sólo los canales 1~11 están disponibles. Usted no puede seleccionar otros canales.

Declaración de la FCC:

Este equipo ha sido comprobado y se determinó que cumple con los límites de dispositivo digital Clase B, de acuerdo con la Parte 15 de las Reglas de la FCC. Estos límites están diseñados para proporcionar una protección razonable contra las interferencias perjudiciales en una instalación residencial. Este equipo genera, utiliza y puede irradiar energía de radio frecuencia y, si no se instala y utiliza siguiendo las instrucciones, puede causar interferencias perjudiciales a las comunicaciones de radio. Sin embargo, no se puede garantizar que la interferencia no ocurrirá en una instalación en particular. En el caso de que el equipo causara interferencias perjudiciales con la recepción de radio o TV, que se pueden detectar encendiendo o apagando el equipo en cuestión, se sugiere que el usuario tome una o más de las siguientes medidas para corregir las interferencias:

- Cambiar la orientación o ubicación de la antena de recepción
- Aumentar la separación entre el equipo y el receptor
- Conectar el equipo a una toma de corriente que se encuentre en un circuito distinto al que está conectado el receptor
- Consultar a un vendedor o técnico experimentado de radio/TV para obtener ayuda.

Declaración de Exposición a la radiación de la FCC:

Este equipo cumple con los límites para exposición a la radiación establecidos por la FCC para ambientes no controlados. Para instalarlo y manejarlo el usuario debe encontrarse a una distancia mínima de 20 centímetros del aparato emisor de la radiación. Este dispositivo y su antena no deben de estar colocados o ser operados en conjunto con ninguna otra antena o transmisor.

2. Declaración de la IC

El término "IC" antes el número de radio certificación, sólo significa que son conocidas las especificaciones técnicas de la industria de Canadá. La operación del dispositivo está sujeta a las siguientes 2 condiciones:

1. Este dispositivo no debe de causar interferencia, y
2. Este dispositivo debe aceptar ninguna interferencia que pueda causar un funcionamiento no deseado.

Este aparato digital de clase B cumple con el ICES-003 canadiense.

Para productos vendidos en los mercados Estadounidense y Canadiense, sólo los canales 1~11 están disponibles. Usted no puede seleccionar otros canales.

Declaración de exposición a la radiación de la IC:

Este equipo cumple con los límites para exposición a la radiación establecidos por la IC RSS-102 para ambientes no controlados. Para instalarlo y manejarlo el usuario debe encontrarse a una distancia mínima de 20 centímetros del aparato emisor de la radiación. Este dispositivo y su antena no deben de estar colocados o ser operados en conjunto con ninguna otra antena o transmisor.

Instrucciones Importantes de Seguridad

⚠️ ADVERTENCIA

PARA REDUCIR EL RIESGO DE INCENDIOS, CHOQUE ELÉCTRICO O LESIONES A PERSONAS, OBSERVE LO SIGUIENTE:

- Use esta unidad sólo de la manera para la que fue diseñada por el fabricante. Si tiene preguntas, póngase en contacto con el fabricante.
- Antes de dar servicio o limpiar la unidad, apague el suministro de energía en el panel de servicio y bloquee los medios de desconexión del servicio para evitar que se encienda accidentalmente el suministro de energía. Cuando el medio de desconexión del servicio no se pueda bloquear, sujete de manera segura un dispositivo de advertencia prominente, como podría ser una etiqueta, al panel de servicio.
- La instalación y el cableado se debe llevar a cabo por una persona(s) calificada(s), de acuerdo con los códigos y estándares aplicables, incluida la construcción ignífuga.
- Es necesaria una ventilación suficiente para la correcta combustión y expulsión de gases por la salida de humos (chimenea) del equipo de combustión de carburante para evitar el contratiro. Siga las directrices de fabricantes de equipos de calefacción y los estándares de seguridad como los publicados por la National Fire Protection Association (NFPA), American Society for Heating, Refrigeration and Air Conditioning Engineers (ASHRAE) y las normativas locales.
- Al efectuar orificios en una pared o techo, no dañe el cableado eléctrico y otras instalaciones ocultas.
- Los conductos deben tener ventilación con salida al exterior.

⚠️ PRECAUCIÓN

Para usarse sólo en ventilación común. No lo use para ventilar materiales y vapores peligrosos o explosivos.

⚠️ PRECAUCIÓN

Para reducir el riesgo de incendio y para ventilar el aire adecuadamente, asegúrese de dirigir el conducto de ventilación hacia el exterior - no ventile el aire de salida a espacios dentro de paredes o techos, áticos, espacios angostos o garajes.

⚠️ ADVERTENCIA

PARA REDUCIR EL RIESGO DE INCENDIO, SÓLO USE CONDUCTOS METÁLICOS.

⚠️ PRECAUCIÓN

Este aparato no está diseñado para ser utilizado por personas (incluidos niños) con capacidades físicas, sensoriales o mentales reducidas, o con falta de experiencia y conocimientos, a menos que hayan recibido supervisión o instrucciones sobre el uso del aparato por parte de una persona responsable de su seguridad.

⚠️ PRECAUCIÓN

Los niños deben ser supervisados para asegurarse de que no juegan con el aparato.

⚠️ ADVERTENCIA

Cáncer y Daño Reproductivo - www.P65Warnings.ca.gov

⚠️ ADVERTENCIA

PARA REDUCIR EL RIESGO DE INCENDIO PROVOCADO POR GRASA EN LA SUPERFICIE DE LA ESTUFA:

- Nunca deje las unidades de superficie sin vigilancia cuando estén en ajustes altos. La cocción puede causar humo o reboses de grasa que pueden prender fuego. Caliente el aceite a fuego lento o medio.
- Siempre ENCIENDA la campana cuando cocine con calor alto o cuando flamee alimentos (por ejemplo, crepes Suzette, cerezas Jubileo y flameado de carne de res con pimienta).
- Limpie los ventiladores con frecuencia. No permita que la grasa se acumule en el ventilador o en el filtro.
- Use un tamaño de sartén adecuado. Siempre use utensilios de cocción que sean los adecuados para el tamaño del elemento de la superficie.

⚠️ ADVERTENCIA

PARA REDUCIR EL RIESGO DE LESIONES A PERSONAS SI SE PRENDE FUEGO EN LA SUPERFICIE DE LA ESTUFA OCASIONADO POR GRASA, OBSERVE LO SIGUIENTE:⁹

- EXTINGA LAS LLAMAS con una tapa que encaje bien, una bandeja para galletas o una bandeja metálica y luego apague el quemador. TENGA CUIDADO PARA EVITAR QUEMADURAS. Si las llamas no se extinguen de inmediato, EVACUE Y LLAME AL DEPARTAMENTO DE BOMBEROS.
- NUNCA TOME UNA CACEROLA QUE ESTÉ ARDIENDO - podría quemarse.
- NO UTILICE AGUA, incluyendo paños para vajilla o toallas mojadas - podría ocurrir una explosión de vapor violenta.
- SÓLO use un extinguidor si:
 - Sabe a ciencia cierta que tiene un extinguidor de clase ABC y ya sabe cómo utilizarlo.
 - El incendio es pequeño y se encuentra contenido en el lugar en donde se inició.
 - Ha llamado al departamento de bomberos.
 - Puede apagar el fuego con su espalda mirando hacia una salida.

⁹Basado en "Consejos de seguridad para fuegos de cocina" publicado por NFPA.

⚠️ ADVERTENCIA

Para reducir el riesgo de incendio o descarga eléctrica, no use este ventilador con ningún dispositivo de control de velocidad de estado sólido.

⚠️ ADVERTENCIA

No deje a los niños cerca de este electrodoméstico. No deje a los niños jugar con este electrodoméstico.

Mantenga todos los materiales de empaque fuera del alcance de los niños. Disponga apropiadamente de los materiales de empaque después de que haya desempacado este electrodoméstico.

Lea y guarde estas Instrucciones

Requisitos de Instalación

Requisitos Eléctricos

IMPORTANTE

Observe todos los códigos y reglamentos aplicables.

Es la responsabilidad del propietario:

Contactar un instalador eléctrico calificado.

Si la normativa lo permite y se utiliza un cable de toma a tierra independiente, se recomienda que un electricista calificado determine si la difracción de onda de tierra es la adecuada. Una copia de las normas que se mencionaron anteriormente, se pueden obtener de:

National Fire Protection Association

1 Batterymarch Park

Quincy, MA 02169-7471

CSA International

8501 East Pleasant Valley Road

Cleveland, OH 44131-5575

Se necesita un circuito eléctrico de 120 voltios, 60 hertzios, CA solamente, de 15 amperios y protegido con fusibles.

■ Si la casa tiene cableado de aluminio, siga el procedimiento a continuación:

1. Conecte una sección de alambre de cobre sólido a los conductores flexibles.
2. Conecte el cableado de aluminio a la sección añadida de alambre de cobre usando conectores especiales y/o herramientas diseñadas y de la lista de UL para unir el cobre al aluminio.

■ Siga el procedimiento recomendado por el fabricante del conector eléctrico. La conexión de cobre/aluminio deberá hacerse en conformidad con los códigos locales y las prácticas de cableado aceptadas por la industria.

■ Los tamaños de los cables y las conexiones deben cumplir de acuerdo con la clasificación del electrodoméstico, como se especifica en la placa de clasificación del modelo/de la serie. La placa del modelo/de la serie está ubicada detrás del filtro, en la pared posterior de la campana para cocina.

■ El tamaño de los cables debe cumplir con los requisitos del National Electrical Code (Código Nacional Eléctrico), ANSI/ NFPA 70 (última edición) o las normas de CSA C22. 1-94 Canadian Electrical Code (Código Canadiense de Electricidad), Parte 1 y C22.2 N° 0-M91 (última edición), y todos los códigos y ordenanzas locales.

Si se puede acceder a una conexión eléctrica, conecte la campana a una toma de corriente que cumpla con los códigos y reglamentos vigentes y asegúrese de que la toma de corriente esté en una posición en la que se pueda instalar la campana. Si no se puede acceder a una conexión eléctrica en el lugar de instalación (conexión directa a la red eléctrica) o la toma de corriente no está en una posición que permita la instalación, coloque un interruptor bipolar homologado en una posición accesible que proporcione una desconexión total en condiciones de categoría de sobretensión III, de acuerdo con las normas locales de cableado. Cuando el producto esté conectado mediante un enchufe a la toma de corriente, el enchufe debe permanecer visible después de la instalación del producto.

Requisitos de Ventilación

- El sistema de ventilación debe terminar en el exterior.
- No dirija la salida del sistema de ventilación hacia el desván u otra área cerrada.
- No utilice una cubierta de pared de tipo para lavandería de 4" (10.2 cm).
- Utilice únicamente una ventilación de metal redonda de 7" (17,8 cm) o una ventilación de metal rectangular de 3 1/4" x 10" (8,3 x 25,4 cm). Se recomienda ventilación de metal rígido. No se recomienda la ventilación con lámina de plástico o de metal.
- El largo del sistema de ventilación y el número de codos se deben mantener al mínimo para proveer un funcionamiento eficaz.

Para obtener el funcionamiento más eficaz y silencioso:

- No use más de 3 codos de 90°.
- Asegúrese de que haya un mínimo de 30" (76.2 cm) de ducto de escape recto entre los codos, si se utiliza más de 1 codo.
- No instale 2 codos lado a lado.
- Use abrazaderas para sellar todas las juntas en el sistema de ventilación.
- El sistema de ventilación debe tener una compuerta. Si la cubierta del techo o la pared tiene una compuerta, no use la compuerta provista con la campana de cocina.
- Utilice masilla de calafateo para sellar la abertura exterior de la pared o el techo alrededor de la cubierta.
- El tamaño del ducto de escape debe ser uniforme.

Requisitos de Instalación

Métodos de Ventilación

Para usar la salida superior de la campana para ventilar su campana, usar una ventilación redonda de 7" (17,8 cm) o un sistema de ventilación con una longitud máxima de 50 pies (15,2 m). Estos sistemas de ventilación no están incluidos y deben comprarse por separado.

NOTA

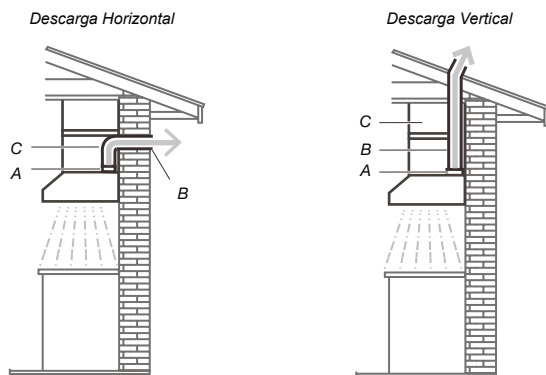
- El sistema de ventilación es opcional para este modelo.
- No se recomienda la ventilación flexible. La ventilación flexible crea contrapresión y turbulencia de aire que reducen en gran medida el rendimiento. El sistema de ventilación puede terminar a través del techo o la pared. Para ventilar a través de una pared, se necesita un codo de 90°.

Altura de Montaje

Monte la campana a no menos de 24" (61,0 cm) por encima de una superficie de cocción eléctrica, no menos de 30" (76,2 cm) por encima de una superficie de cocción a gas y no más de 30" (76,2 cm) por encima de cualquier superficie.

Descarga Posterior

Se puede instalar un codo de 90° justo arriba de la campana.



- A. Ventilación rectangular de 3 ¼ x 10" (8,3 x 25,4 cm) o ventilación redonda de 7" (17,8 cm).
B. Tapa de pared con amortiguador (no incluido).
C. Codo de 90°

- A. Ventilación rectangular de 3 ¼ "x 10" (8,3 x 25,4 cm) o ventilación redonda de 7" (17,8 cm).
B. Gabinete
C. Tapa de techo con amortiguador (no incluido).

Instalación en condiciones climáticas frías

Para minimizar el flujo de aire inverso y una rotura térmica no metálica para minimizar la conducción de temperaturas externas como parte de los tubos. El regulador debe de encontrarse en la parte de aire frío de la rotura térmica. La rotura debe estar lo más cerca posible al lugar donde los tubos entran en la parte caliente de la casa.

Aire Limpio

- Cuando utilice sistemas de ventilación con un movimiento de aire mayor que el CFM especificado, revise los códigos de construcción locales, ya que pueden requerir sistemas de aire complementario. Consulte a un profesional de HVAC para conocer los requisitos específicos de su área, ya que los requisitos de CFM pueden variar entre las ubicaciones.
- Consulte a un profesional de HVAC para seleccionar la campana extractora de capacidad CFM correcta para su aplicación. La capacidad de CFM depende de la clasificación de BTU de la estufa o de la estufa, el tamaño y la ubicación, el tamaño de la cocina y los conductos de la campana extractora en la cocina.

Requisitos de Instalación

Herramientas y Piezas

Al retirar las piezas del empaque

⚠ PRECAUCIÓN


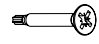


Quite la caja cuidadosamente. Use guantes para protegerse de los bordes afilados.

⚠ ADVERTENCIA

Quite la película de protección que cubre el producto antes de ponerlo en funcionamiento.

Piezas suministradas

- Ensamblaje del escudete para campana con ventilador y lámparas LED previamente instalados
- Bolsa plástica con el siguiente contenido:

Parte	Cant.	Parte	Cant.
 5 x 45 mm	2	 Torx® T10 adapter	1
 8 x 45 mm	2	 4.5x13 mm	4

Herramientas/Materiales requeridos

- Nivel
- Taladro con brocas de 1/8" (3.0 mm) 1/2" (13 mm) y 1/4" (30 mm)
- Lápiz
- Pelacables o cuchillo de uso general
- Cinta de medir o regla
- Pinzas
- Pistola y masilla para calafateo a prueba de agua
- Abrazaderas para ducto de ventilación
- Sierra de vaivén o sierra caladora
- Destornillador de hoja plana
- Tijeras de hojalatero
- Destornilladores
 - Phillips #2
 - Plano

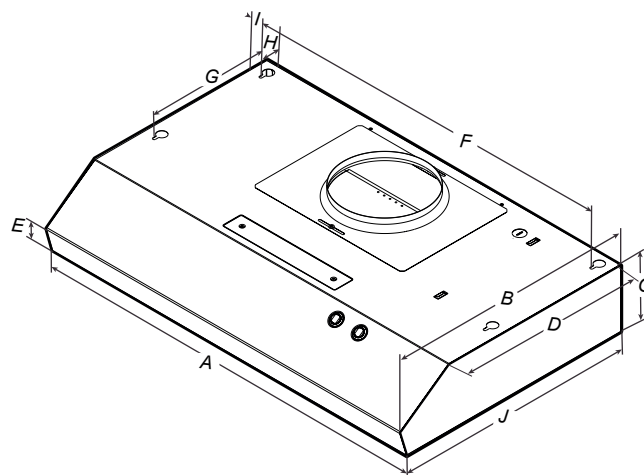
Piezas necesarias

- Cable de suministro eléctrico doméstico
- Protector de cables de 1/2" (12.7 mm) que esté en la lista de UL o aprobado por CSA
- 3 conectores para cables que estén en la lista de UL

Para instalaciones con ventilación circular de 7 "(17.8 cm)

- Sistema de ventilación mental circular de 7 "(17.8 cm) con tapa de techo o pared.
- Abrazaderas de ventilación

Dimensiones del Producto



NK30B3000US/AA	
A	30" (76 cm)
B	18 3/4" (47.5 cm)
C	5" (12.5 cm)
D	14 1/2" (36.7 cm)
E	2" (5 cm)
F	27 15/16" (70.9 cm)
G	9" (22.9 cm)
H	1 1/2" (3.8 cm)
I	1" (2.5 cm)
J	18 1/8" (46 cm)

Instalación de la campana

Instrucciones de Instalación

Se recomienda que un técnico calificado instale la campana extractora. Es responsabilidad del instalador asegurarse de que la campana extractora cumpla con los espacios de instalación especificados para el producto.

- Se recomienda que el sistema de ventilación sea instalado antes de que se instale la campana para cocina.
- Si es posible, desconecte y deslice la estufa fuera de la apertura de instalación del gabinete de la cocina para permitir un acceso fácil al muro posterior.
- Antes de hacer recortes, asegúrese de que haya una distancia adecuada dentro del techo o la pared para la ventilación del escape.
- Verifique que todas las piezas de instalación se hayan eliminado de la caja de empaque.

1. Desconecte el suministro de energía.
2. Decida qué método de ventilación usar: a través del techo, de la pared o sin ducto.

NOTA

Esta campana está configurada para expulsar el aire por la salida superior.

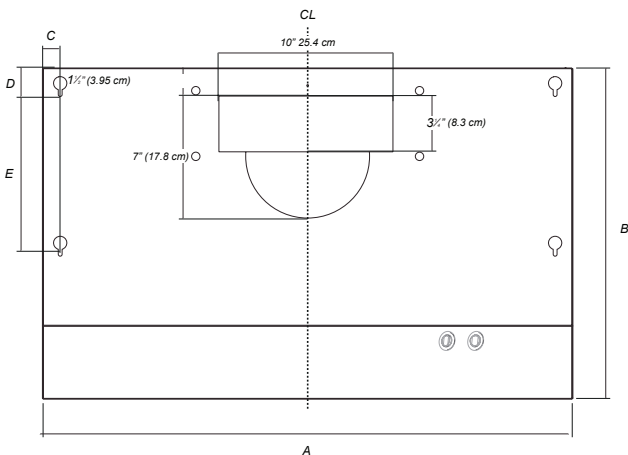
3. Seleccione una superficie plana para ensamblar la campana para cocina. Cubra dicha superficie.

Métodos de Ventilación

Salida superior

Usar la transición circular de 7" (17.8 cm) con una longitud máxima de 50 pies (15,2 m).

Utilice el diagrama o la campana como plantilla y marque las ubicaciones de los conductos, el cableado eléctrico y las ranuras para tornillos. ductwork, electrical wiring and keyhole screw slots.



A	30" (76 cm)
B	18 3/4" (47.5 cm)
C	1" (2.5 cm)
D	1 1/2" (3.8 cm)
E	9" (22.8 cm)

Instalación en la pared

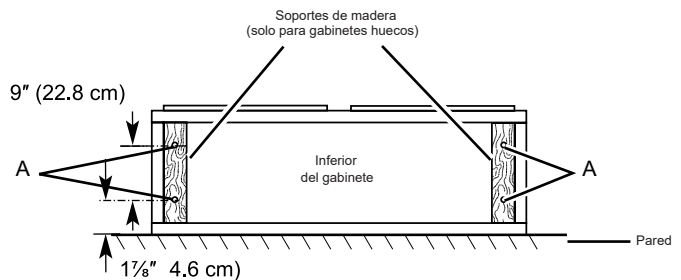
ADVERTENCIA

USE DOS O MÁS PERSONAS PARA MOVER E INSTALAR LA CAMPANA DE COCINA. NO SEGUIR ESTA INSTRUCCIÓN PUEDE OCASIONAR LESIONES.

NOTA

Marque la ubicación de los precortes de la campana extractora en la pared y haga los cortes necesarios antes de instalar la campana..

Prepare la Ubicación



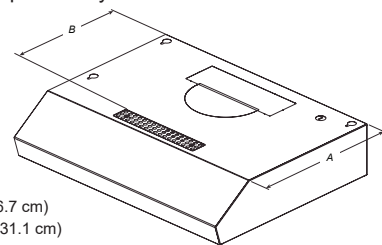
1. Si el gabinete tiene perfiles frontales, laterales o posteriores, agregue soportes de madera a cada lado. Instale 4 tornillos para madera de cabeza plana con arandelas y tuercas para sujetar las tiras de relleno en los lugares que se muestran (A).

NOTA

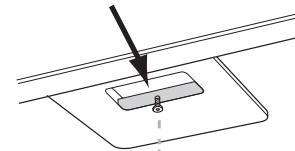
Para instalaciones en una superficie que no sea un panel de yeso, se recomienda que un contratista calificado determine el método de anclaje.

NOTA

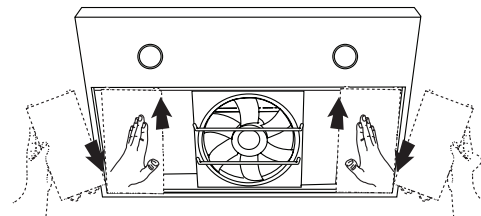
Pensez à utiliser la mesure A pour une transition ronde de 7" (17,8 cm) et la mesure B pour un système de recirculation.



2. Retire el filtro de grasa tirando del pestillo del filtro hacia la parte posterior de la campana extractora y, con un adaptador Torx T10, retire el tornillo del retenedor del filtro.



3. Retire los paneles laterales tirando de ellos horizontalmente hacia la parte posterior de la campana y luego suelte los soportes de la parte delantera.

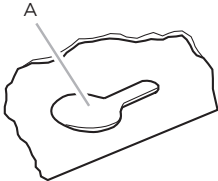


Instalación de la campana

- Entre 2 o más personas, levanten la campana extractora debajo del gabinete y determine la ubicación final al centrarla debajo del gabinete. Marque en la parte inferior del gabinete la ubicación de las 4 ranuras de montaje en forma de cerradura de la campana extractora (A).

NOTA

Marque el área delgada de la ranura. En la pared trasera, marque las ranuras para los tornillos de seguridad (B). Deje la campana extractora a un lado sobre una superficie cubierta.



A. Ranuras de montaje

- Utilice una broca de 1/8" (3 mm) y taladre 4 orificios guía.

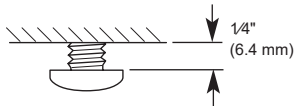
NOTA

Haga los agujeros de perforación en el área delgada de la ranura.

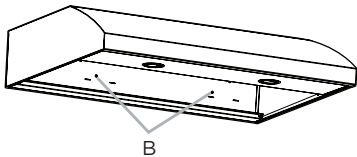


A. Orificios guía.

- Instale los 4 tornillos de montaje de 0.45 cm x 1.3 cm en los orificios guía. Deje aproximadamente 1/4" (6.4 mm) de espacio entre las cabezas de los tornillos y el gabinete para deslizar la campana extractora en su lugar.



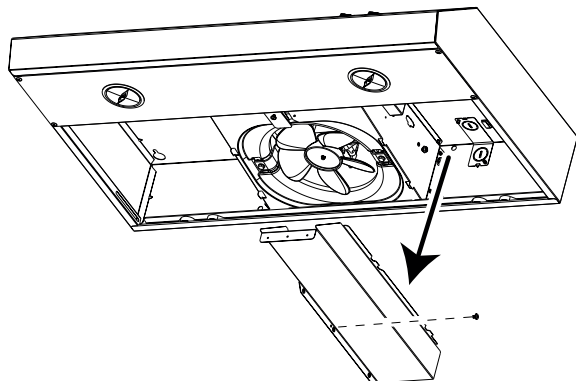
- Use una broca de 3/8" (8 mm) y taladre 2 orificios piloto en las marcas para los tornillos de seguridad, luego coloque los anclajes para paneles de yeso.



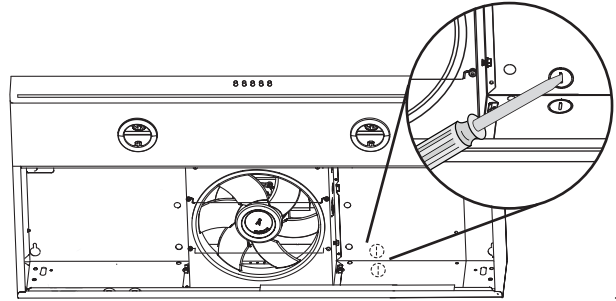
B

Complete la Preparación

- Coloque la campana extractora boca arriba sobre una superficie cubierta.
- Desenroscar y retirar la tapa de la caja de conexiones.

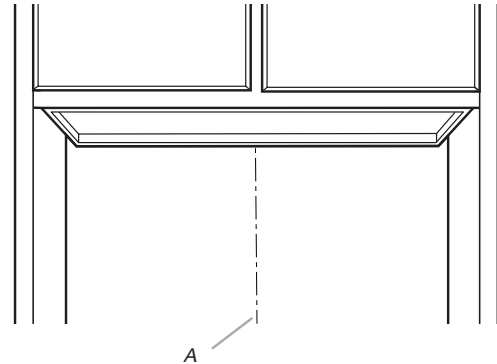


- Con un destornillador de cabeza plana, retire el precinto de la fuente de alimentación correspondiente.



Determine la Ubicación del Orificio de Cableado

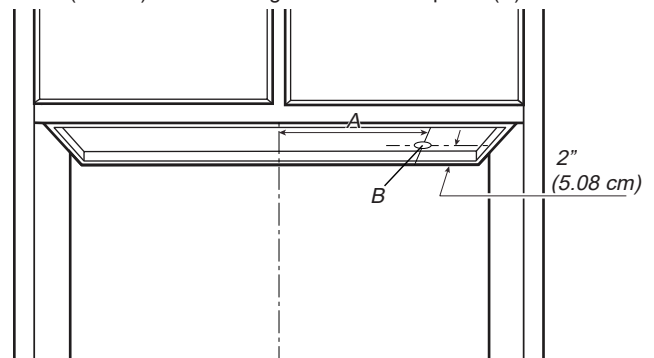
- Determine y marque claramente una línea central vertical en la pared y la parte inferior del gabinete.



A. Línea Central

Cableado a través de la parte superior:

- Marque una línea (A) desde la derecha de la línea central en la parte inferior del gabinete, marque el punto en esta línea que está a 2" (5.1 cm) de la pared posterior. Taladre un agujero con un diámetro de 3/8" (2.2 cm) a través del gabinete en este punto (B).

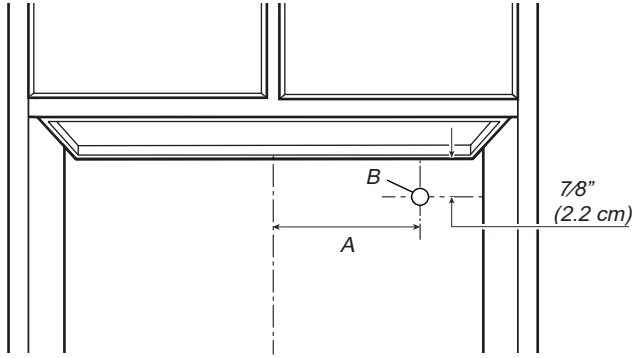


A. 8 2/5" (21.3cm)

Instalación de la campana

Cableado a través de la pared:

1. Marque una línea (A) desde la derecha de la línea central en la parte inferior del gabinete. Marque el punto en esta línea que está a $\frac{7}{8}$ " (2.2 cm) de la parte inferior del gabinete. Taladre un agujero (B) con un diámetro de $\frac{7}{8}$ " (2.2 cm) a través de la pared posterior en este punto.



A. 8 2/5" (21.3cm)

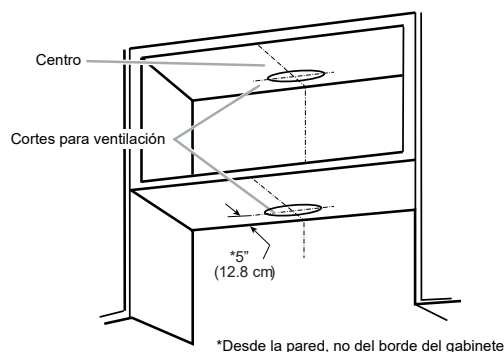
Marcar y Cortar la Abertura de Ventilación

Para una instalación sin ventilación (recirculante): omita el paso "Marcar y cortar la apertura de ventilación".

Para ventilación circular de 7" (17.8 cm)

Para hacer una apertura de ventilación circular en la parte inferior de la tapa del armario:

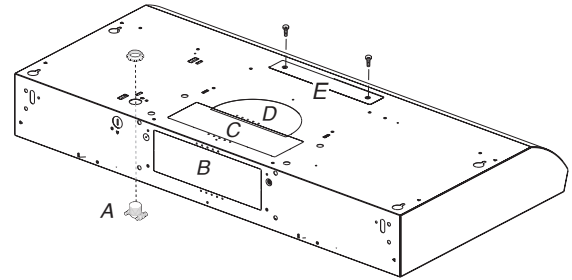
1. Marque una línea central debajo de la parte superior del gabinete.
2. Marque una línea de 5" (12.8 cm) desde la pared trasera debajo de la parte superior del gabinete.
3. Utilice un compas o una plantilla circular para dibujar un círculo con un diámetro de $7\frac{1}{2}$ " (19 cm).
4. Use una caladora o una sierra para cortar una apertura rectangular en la pared para ventilación.
5. Repita pasos 1-3 para el lado debajo de la parte superior del gabinete.



Perforaciones Conexión Eléctrica

1. Con una broca de $1\frac{1}{4}$ " (3 cm), taladre el orificio en el punto marcado anteriormente en el nocut de tensión eléctrica.

Prepare los Respiraderos de la Campana



Instale el alivio de tensión de cable

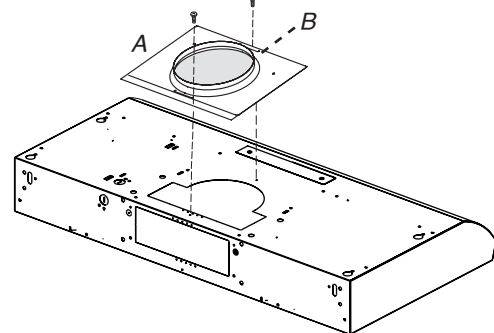
1. Instale un alivio de tensión de cable (A) de $\frac{1}{2}$ " (13 mm) aprobado por UL / CSA.

Para instalaciones sin ventilación (recirculante)

- Retire los (2) tornillos T10 Torx® y retire la tapa de ventilación rectangular frontal superior (E). Vaya al paso "Conexión eléctrica".

Placa de montaje de ventilación circular de 7" (17.8 cm)

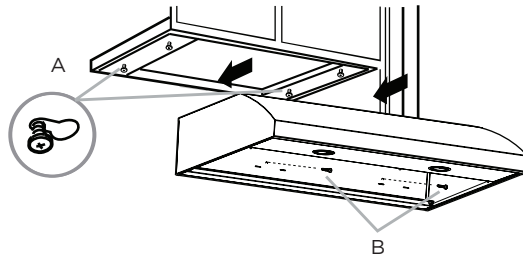
1. Utilizando (2) tornillos cortos de cabeza Phillips, instale la placa de montaje de ventilación circular de 7" (17.8 cm) (A) sobre los orificios de ventilación que se quitaron en el paso anterior. Coloque la pestaña ancha (B) hacia el frente.



Instalación de la campana

Montaje de la Campana

- Entre 2 o más personas, levante la campana hasta la posición final. Pase suficiente cable eléctrico a través del alivio de tensión de cable de 1/2" listado por UL o aprobado por CSA para hacer las conexiones en la caja de terminales. Apriete los tornillos del protecto de cables.
- Coloque la campana extractora de modo que el extremo grande de las ranuras de la cerradura quede sobre los tornillos de montaje. Luego empuje la campana hacia la pared de modo que los tornillos queden en el cuello de las ranuras. Instale los tornillos de montaje de 0.5 cm x 4.5 cm en los anclajes para paneles de yeso.



A. Tornillos de montaje (4)
B. Tornillos de seguridad

- Apriete los tornillos de montaje, asegurándose de que los tornillos estén en el cuello estrecho de las ranuras.
- Apriete los tornillos de seguridad a la pared.
- Para instalaciones de cableado directo, instale el cable de suministro eléctrico doméstico de acuerdo con el Código Eléctrico Nacional o las normas CSA y los códigos y ordenanzas locales. Debe haber suficiente cableado desde la caja de desconexión con fusible (o disyuntor) para realizar la conexión en la caja de terminales eléctricos de la campana extractora.

NOTE

No vuelva a conectar la energía hasta que la instalación esté completa.

OPCIONAL: Si lo prefiere, doble las lengüetas traseras contra la parte trasera de la campana extractora y fíjelas a la pared con tornillos de cabeza #8-18 x 5/8" (4,2 x 16 mm).

Conecte el Sistema de Ventilación

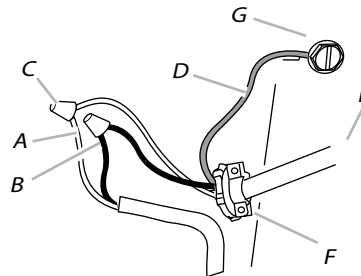
- Conecte el trabajo de ventilación a la campana extractora.
- Selle las juntas con abrazaderas de ventilación o cinta adhesiva para asegurarlas y que sean herméticas.
- Compruebe que las transiciones de contracorriente funcionen correctamente.

Conexión Eléctrica

ADVERTENCIA

PELIGRO DESCARGA ELÉCTRICA.

DESCONECTE EL SUMINISTRO DE ENERGÍA ANTES DE DARLE MANTENIMIENTO. VUELVA A COLOCAR TODOS LOS COMPONENTES Y PANELES ANTES DE HACERLO FUNCIONAR. NO SEGUIR ESTAS INSTRUCCIONES PUEDE OCASIONAR LA MUERTE O CHOQUE ELÉCTRICO.



A. Cables blancos
B. Cables negros
C. Conectores de cables aprobados por UL
D. Cable de tierra verde (o desnudo)
E. Cable de suministro eléctrico
F. Alivio de tensión de 1/2" listado por UL o aprobado por CSA
G. Tornillo verde a tierra

- Coloque los 3 cables (Negro, blanco y verde) de acuerdo con el National Electrical Code y la normativa y las ordenanzas locales en el canal de cables de 1/2" del panel del servicio a la caja de conexiones.

ADVERTENCIA

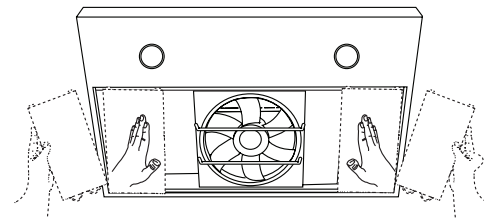
CONECTE EL MOTOR A TIERRA.

CONECTE EL CABLE DE TIERRA AL CABLE VERDE Y AMARILLO DE CONEXIÓN A TIERRA EN LA CAJA DE TERMINALES. NO SEGUIR ESTAS INSTRUCCIONES PUEDE OCASIONAR LA MUERTE O CHOQUE ELÉCTRICO.

- Conecte el cable negro del panel de servicio o rojo en la caja de terminales, blanco con blanco y verde con verde-amarillo.
- Cierre la tapa de la caja de conexiones y coloque el tornillo removido previamente.

Complete la Instalación

- Coloque los paneles laterales deslizándolos horizontalmente desde la parte trasera de la campana y luego fije los soportes en la parte delantera.



- Vuelva a colocar los filtros y verifique el funcionamiento de la campana.

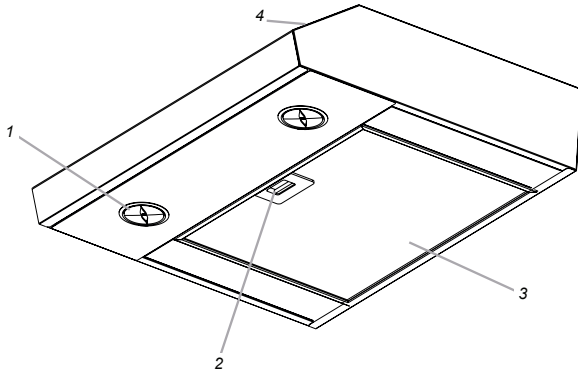
- Para instalaciones ventiladas:** Instale un filtro de metal.
- Para instalaciones sin ventilación (recirculante):** Instale un filtro de carbón y un filtro metálico.

Si la campana extractora no funciona:

- Compruebe si el disyuntor está desconectado o se han fundido los fusibles.
- Desconecte el suministro eléctrico. Compruebe si el cableado es correcto.
- Para conseguir el funcionamiento más eficaz de la nueva campana extractora, lea la sección "Uso y Mantenimiento e la Campana".
- Para disponer de una referencia sencilla, siga las Instrucciones de instalación y la Guía de uso y mantenimiento.

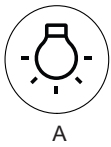
Uso y Mantenimiento de la Campana

Descripción de la Campana

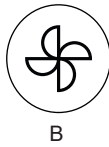


- 1. Lámparas LED
- 2. Manijas de filtro de grasa
- 3. Filtro
- 4. Control

Controles de la Campana



A



B

- A. Encendido/apagado de la luz
- B. Encendido/apagado del motor

Operación de iluminación

1. El botón de encendido/apagado de la luz (A) controla ambas luces. Presione una vez "encendido" y nuevamente para "apagado".

Operación del ventilador

1. Para encender el ventilador, presione el botón de encendido/apagado de motor (B). Presione el botón de nuevo para apagar el motor.

Limpeza

Superficies exteriores:

Superficies exteriores:

Para evitar daños en la superficie exterior, no utilice estropajos de acero o estropajos con jabón. No utilice limpiadores a base de cloro. Frote en la dirección de la línea de la fibra para evitar rayar la superficie.

- Para una limpieza a fondo, utilice un limpiador y abrillantador de acero inoxidable.
- Para la limpieza diaria, use un detergente líquido suave y agua. Seque bien.
- Para una limpieza rápida, limpie con un paño suave húmedo o una esponja no abrasiva, luego enjuague con agua limpia y seque.

NOTA

Seque siempre con un paño para evitar marcas de agua.

Filtro de grasa metálico

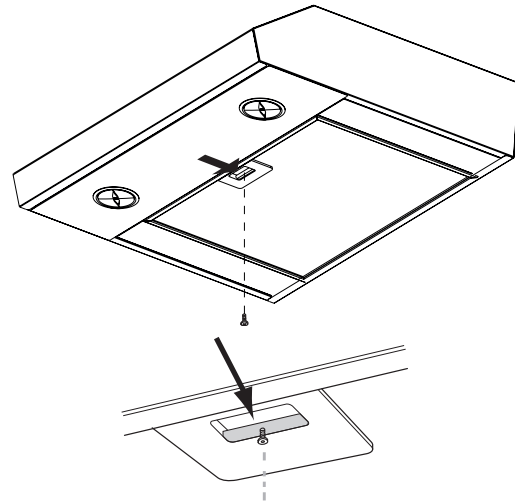
Para instalaciones con ventilación:

- Lave el filtro metálico según sea necesario en un lavavajillas o en una solución de detergente caliente.
- Si es necesario, sustituya el filtro metálico antigrasa.

Cuando se lava en un lavavajillas, el filtro antigrasa puede decolorarse ligeramente, pero esto no afecta a su capacidad de filtrado.

Para sustituir el filtro metálico de grasa:

1. Retire el filtro tirando del pestillo hacia la parte posterior de la campana extractora y, con un adaptador Torx T10, retire el tornillo del retén del filtro, vuelva a colocar el filtro y coloque el tornillo.



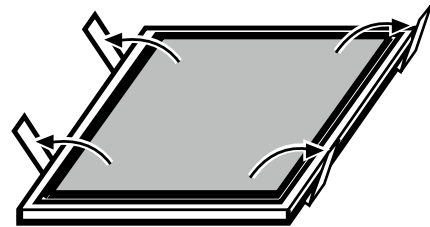
Filtro de carbón

Para instalaciones sin ventilación (recirculación):

El filtro de carbón no es lavable. Debería tener una duración de 6 meses con uso normal. Deseche el filtro de carbón viejo.

Para reemplazar el filtro de carbón:

1. Remueva el filtro metálico para grasa de la campana. Vea "Filtro Metálico para Grasa" en esta sección.
2. Doble los clips de resorte hacia afuera del filtro de grasa de metal.



3. Coloque el filtro de carbón en la parte superior del filtro de metal.
4. Inserte el filtro de grasa de metal nuevamente en la campana extractora.
5. Coloque de nuevo el tornillo del retén del filtro.

El filtro de carbón no está incluido en el producto, así que cómprelo a través del centro de servicio a continuación si es necesario. (Número de Código: DG81-03610A)

Please contact SAMSUNG at:

1-800-SAMSUNG (726-7864) or

www.samsung.com/ca/support (English)

www.samsung.com/ca_fr/support (French)

www.samsung.com/us/support (English)

Reemplazo de las Lámparas LED

Las luces LED son reemplazables sólo por un técnico de servicio. Campana extractora, cumplimiento con ADA

Uso y Mantenimiento de la Campana

Campana extractora, cumplimiento con ADA

Las campanas se pueden instalar para cumplir con las Secciones 308 y 309 de las Pautas de ADA, cuando se usan con los controles montados adecuadamente instalados a una distancia de 15 "(38,1 cm) a 40" (101,6 cm) sobre el piso y el acceso al control no requiere que se alcance una cocción aparato.

Las siguiente campana de cocina NK30B3000US/AA pueden funcionar en una situación compatible con ADA cuando la campana eléctrica está cableada para operar desde un interruptor de pared eléctrico estándar dedicado. Para facilitar esta aplicación, comparta la información en las siguientes páginas con su electricista cuando se prepare para la instalación.

NOTA

Todos los modelos se pueden controlar con un solo interruptor remoto (el interruptor activa o desactiva el motor y la luz de la campana).

ADVERTENCIA

Todo el trabajo eléctrico debe realizarse de acuerdo con los códigos locales, las ordenanzas o el código eléctrico nacional, según corresponda. Por seguridad, este producto debe instalarse en una caja de interruptores con conexión a tierra. La instalación del cableado eléctrico debe ser realizada por un técnico calificado.

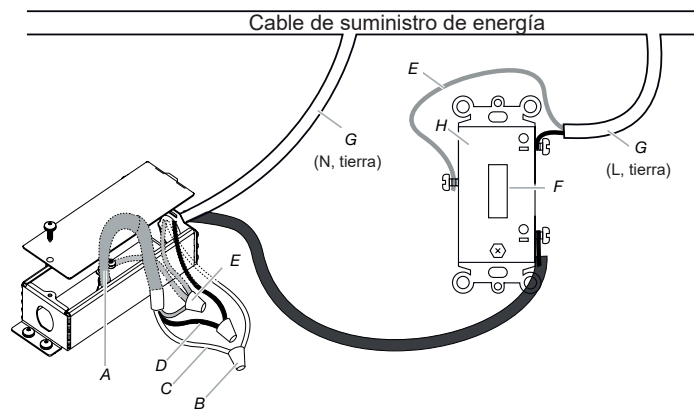
ADVERTENCIA

Peligro de descarga eléctrica

Desconecte la alimentación antes de realizar el servicio.

Reemplace todas las partes y paneles antes de operar.

De lo contrario, puede provocar la muerte o una descarga eléctrica.



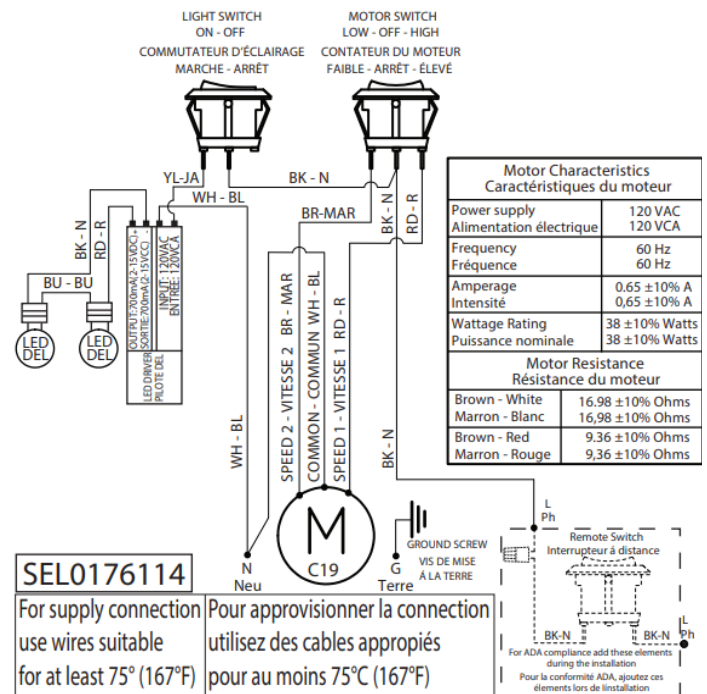
- A. Cable de campana
- B. Conector de cable listado por UL
- C. Cables blancos (N)
- D. cables negros (l)
- E. Verde y tierra verde-amarilla

- F. Interruptor listado por UL
- G. Cable de alimentación eléctrica para el hogar.
- H. Caja de interruptor

ADVERTENCIA

Para evitar incendios o descargas eléctricas, apague la alimentación en el cortacircuitos o el fusible. Confirme que la alimentación esté apagada antes de realizar el cableado.

- MONTAJE LA CAJA DEL INTERRUPTOR. Instale una caja de 3½".
- COLOQUE EL CABLE DE ALIMENTACIÓN. Sujete el cableado a la caja de interruptores y la unidad utilizando una abrazadera apropiada. Pase 6" de cable dentro de la caja y el ventilador para facilitar el cableado.
- CONECTAR EL CABLEADO. Instrucciones generales:
 - Asegúrese de que tanto la caja del interruptor como el aparato estén conectados a tierra correctamente.
 - Asegúrese de que el cable de tierra esté bien sujeto al tornillo de tierra del control. Apretar el tornillo de tierra.
 - Use los tamaños adecuados de tuercas para el número y tamaño de los cables.
 - Para terminales a presión y de tornillo: Use mín. Cable de cobre sólido # 14 AWG solamente.
 - Apretar los terminales de tornillo.
 - Haga las conexiones eléctricas siguiendo el diagrama apropiado.



- MONTA EL CONTROL EN LA CAJA DEL INTERRUPTOR. Coloque los cables en la caja del interruptor y fije el control a la caja con los tornillos adjuntos.
- COLOCAR LA PLACA DEL INTERRUPTOR. Fije la placa del interruptor al control utilizando los tornillos cortos de la bolsa de piezas.

CAMPANA SAMSUNG

Garantía limitada al comprador original

Este producto de la marca SAMSUNG, suministrado y distribuido por Samsung Electronics America, Inc. (SAMSUNG) y entregado nuevo, en su empaque original al consumidor, está garantizado por SAMSUNG contra defectos de manufactura en materiales y mano de obra por un periodo de garantía limitado a partir de la fecha de entrega al consumidor, de:

UN (1) AÑO EN PIEZAS Y MANO DE OBRA

Esta garantía limitada es válida solo en productos comprados y utilizados en los Estados Unidos que hayan sido instalados, puestos en funcionamiento y mantenidos de acuerdo con las instrucciones adjuntas o suministradas con el producto. Para recibir el servicio de garantía, el consumidor debe comunicarse con SAMSUNG en la dirección o el número de teléfono que se indican a continuación para determinar el problema y los procedimientos de servicio. El servicio de garantía solo puede realizarse en un centro de servicio autorizado por SAMSUNG. Para recibir el servicio de garantía, se debe presentar el original de la factura de venta o el comprobante de entrega con fecha como prueba de compra a SAMSUNG o al centro de servicio autorizado de SAMSUNG.

SAMSUNG reparará o reemplazará este producto, a su criterio y sin cargo conforme a lo estipulado en el presente documento, con partes nuevas o retrabajadas o productos si se encuentran defectuosos durante el periodo limitado de garantía especificado arriba. Todas las partes reemplazadas y productos son propiedad de SAMSUNG y deben ser regresadas a SAMSUNG. Las partes de reemplazo y productos asumen el tiempo pendiente de garantía, o noventa (90) días lo que sea más largo.

El servicio a domicilio será provisto durante el periodo de la garantía sujeto a disponibilidad dentro de los Estados Unidos. El servicio a domicilio no está disponible en todas las áreas. Para recibir servicio a domicilio, el producto debe estar sin obstrucciones y accesible al personal de servicio. Si durante el servicio a domicilio la reparación no puede ser completada, será necesario remover, reparar y regresar el producto.

Esta garantía limitada cubre defectos de manufactura en materiales y mano de obra encontrados en uso normal y no comercial de este producto y no aplicarán a los siguientes, incluyendo pero no limitados a: daños ocurridos en el traslado; entrega e instalación; aplicaciones y usos para los que este producto no fue fabricado; alteración del producto o números de serie; daños cosméticos o acabados exteriores; accidentes, abuso, negligencia, fuego, agua, rayos u otros actos de la naturaleza; uso de productos, equipo sistemas servicios, partes, insumos, accesorios, aplicaciones, instalaciones, reparos, cableado externo o conectores no suministrados o autorizados por SAMSUNG los cuáles dañen este producto o causen problemas de servicio; voltaje de línea eléctrica incorrecta, fluctuaciones y sobretensiones; ajustes del cliente y falla al

seguir las instrucciones de operación, limpieza, mantenimiento e instrucciones ambientales que sean cubiertas y prescritas en el libro de instrucciones; problemas causados por infestación de plagas y sobrecalentamiento provocado por el usuario.

NO HAY GARANTÍAS EXPRESAS MÁS QUE LAS LISTADAS Y DESCRITAS EN LA PARTE SUPERIOR, Y NI GARANTÍAS YA SEA EXPRESAS O IMPLICADAS, INCLUYENDO, PERO NO LIMITADAS A, ALGUNAS GARANTÍAS IMPLICADAS DE COMERCIALIZACIÓN O APTITUD PARA UN PROPÓSITO EN PARTICULAR, DEBERÁ APLICAR DESPUÉS DE LOS PERIODOS DE LA GARANTÍA EXPRESADA EN LA PARTE SUPERIOR, Y NO OTRA GARANTÍA EXPRESADA O GARANTÍA DADA POR ALGUNA PERSONA, FIRMA O CORPORACIÓN CON RESPECTO A ESTE PRODUCTO SERÁ CUBIERTA POR SAMSUNG. SAMSUNG NO SERÁ RESPONSABLE DE LA PÉRDIDA DE INGRESOS O GANANCIAS, FALLO AL REALIZAR AHORROS U OTROS BENEFICIOS U OTROS DAÑOS ESPECIALES, INCIDENTALES O A CONSECUENCIA DEL USO, DESUSO O INHABILIDAD DE ESTE PRODUCTO A PESAR DE LA TEORÍA LEGAL EN LA CUÁL EL RECLAMO ESTÁ BASADO Y AÚN SI SAMSUNG HA SIDO ADVERTIDO DE LA POSIBILIDAD DE DICHOS DAÑOS. NINGUNA RECUPERACIÓN DE NINGÚN TIPO EN CONTRA DE SAMSUNG SERÁ MÁS GRANDE QUE EL MONTO DEL PRECIO DE COMPRA DEL PRODUCTO VENDIDO POR SAMSUNG Y CAUSANTE DEL DAÑO ALEGADO. SIN LIMITAR LO ANTERIOR, EL COMPRADOR ASUME EL RIESGO Y LA POSIBILIDAD DE PÉRDIDA, DAÑOS O LESIONES AL COMPRADOR Y A LA PROPIEDAD DEL COMPRADOR Y A OTROS Y SUS PROPIEDADES DERIVADA DE LA UTILIZACIÓN, MAL USO O INHABILIDAD EN EL USO DE ESTE PRODUCTO VENDIDO POR SAMSUNG NO CAUSADO DIRECTAMENTE POR LA NEGLIGENCIA DE SAMSUNG. ESTA GARANTÍA LIMITADA NO SERÁ EXTENDIDA A NINGÚN OTRO MÁS QUE AL COMPRADOR ORIGINAL DE ESTE PRODUCTO NO ES TRANSFERIBLE Y DECLARA SU RECURSO EXCLUSIVO.

Algunas provincias o territorios pueden o no permitir limitaciones acerca de cuánto dura una garantía implicada, o la exclusión o limitación de daños incidentales o a causa de, así que las limitaciones o exclusiones pueden no aplicar a usted. Esta garantía le da los derechos legales específicos y usted puede tener también otros derechos los cuáles varían de estado a estado.

Para obtener este servicio de garantía, por favor contacte a SAMSUNG al:

**1-800-SAMSUNG (726-7864) o
www.samsung.com/us/support**

CAMPANA SAMSUNG

Garantía limitada al comprador original

Este producto de la marca SAMSUNG, suministrado y distribuido por Samsung Electronics Canadá, Inc. (SAMSUNG) y entregado nuevo, en su empaque original al consumidor, está garantizado por SAMSUNG contra defectos de manufactura en materiales y mano de obra por un periodo de garantía limitado a partir de la fecha de entrega al consumidor, de:

UN (1) AÑO EN PIEZAS Y MANO DE OBRA

Esta garantía limitada es válida solo en productos comprados y utilizados en los Estados Unidos que hayan sido instalados, puestos en funcionamiento y mantenidos de acuerdo con las instrucciones adjuntas o suministradas con el producto. Para recibir el servicio de garantía, el consumidor debe comunicarse con SAMSUNG en la dirección o el número de teléfono que se indican a continuación para determinar el problema y los procedimientos de servicio. El servicio de garantía solo puede realizarse en un centro de servicio autorizado por SAMSUNG. Para recibir el servicio de garantía, se debe presentar el original de la factura de venta o el comprobante de entrega con fecha como prueba de compra a SAMSUNG o al centro de servicio autorizado de SAMSUNG.

SAMSUNG reparará o reemplazará este producto, a su criterio y sin cargo conforme a lo estipulado en el presente documento, con partes nuevas o retrabajadas o productos si se encuentran defectuosos durante el periodo limitado de garantía especificado arriba. Todas las partes reemplazadas y productos son propiedad de SAMSUNG y deben ser regresadas a SAMSUNG. Las partes de reemplazo y productos asumen el tiempo pendiente de garantía, o noventa (90) días lo que sea más largo.

El servicio a domicilio será provisto durante el periodo de la garantía sujeto a disponibilidad dentro de Canadá. El servicio a domicilio no está disponible en todas las áreas. Para recibir servicio a domicilio, el producto debe estar sin obstrucciones y accesible al personal de servicio. Si durante el servicio a domicilio la reparación no puede ser completada, será necesario remover, reparar y regresar el producto.

Esta garantía limitada cubre defectos de manufactura en materiales y mano de obra encontrados en uso normal y no comercial de este producto y no aplicarán a los siguientes, incluyendo pero no limitados a: daños ocurridos en el traslado; entrega e instalación; aplicaciones y usos para los que este producto no fue fabricado; alteración del producto o números de serie; daños cosméticos o acabados exteriores; accidentes, abuso, negligencia, fuego, agua, rayos u otros actos de la naturaleza; uso de productos, equipo sistemas servicios, partes, insumos, accesorios, aplicaciones, instalaciones, reparos, cableado externo o conectores no suministrados o autorizados por SAMSUNG los cuáles dañen este producto o causen problemas de servicio; voltaje de línea eléctrica incorrecta,

fluctuaciones y sobretensiones; ajustes del cliente y falla al seguir las instrucciones de operación, limpieza, mantenimiento e instrucciones ambientales que sean cubiertas y prescritas en el libro de instrucciones; problemas causados por infestación de pestes y sobrecalentamiento provocado por el usuario. SAMSUNG no garantiza el funcionamiento ininterrumpido ni libre de errores de este producto.

NO HAY GARANTÍAS EXPRESAS MÁS QUE LAS LISTADAS Y DESCRITAS EN LA PARTE SUPERIOR, Y NI GARANTÍAS YA SEA EXPRESAS O IMPLICADAS, INCLUYENDO, PERO NO LIMITADAS A, ALGUNAS GARANTÍAS IMPLICADAS DE COMERCIALIZACIÓN O APTITUD PARA UN PROPÓSITO EN PARTICULAR, DEBERÁ APLICAR DESPUÉS DE LOS PERIODOS DE LA GARANTÍA EXPRESADA EN LA PARTE SUPERIOR, Y NO OTRA GARANTÍA EXPRESADA O GARANTÍA DADA POR ALGUNA PERSONA, FIRMA O CORPORACIÓN CON RESPECTO A ESTE PRODUCTO SERÁ CUBIERTA POR SAMSUNG. SAMSUNG NO SERÁ RESPONSABLE DE LA PÉRDIDA DE INGRESOS O GANANCIAS, FALLO AL REALIZAR AHORROS U OTROS BENEFICIOS U OTROS DAÑOS ESPECIALES, INCIDENTALES O A CONSECUENCIA DEL USO, DESUSO O INHABILIDAD DE ESTE PRODUCTO A PESAR DE LA TEORÍA LEGAL EN LA CUÁL EL RECLAMO ESTÁ BASADO Y AÚN SI SAMSUNG HA SIDO ADVERTIDO DE LA POSIBILIDAD DE DICHOS DAÑOS. NINGUNA RECUPERACIÓN DE NINGÚN TIPO EN CONTRA DE SAMSUNG SERÁ MÁS GRANDE QUE EL MONTO DEL PRECIO DE COMPRA DEL PRODUCTO VENDIDO POR SAMSUNG Y CAUSANTE DEL DAÑO ALEGADO. SIN LIMITAR LO ANTERIOR, EL COMPRADOR ASUME EL RIESGO Y LA POSIBILIDAD DE PÉRDIDA, DAÑOS O LESIONES AL COMPRADOR Y A LA PROPIEDAD DEL COMPRADOR Y A OTROS Y SUS PROPIEDADES DERIVADA DE LA UTILIZACIÓN, MAL USO O INHABILIDAD EN EL USO DE ESTE PRODUCTO VENDIDO POR SAMSUNG NO CAUSADO DIRECTAMENTE POR LA NEGLIGENCIA DE SAMSUNG. ESTA GARANTÍA LIMITADA NO SERÁ EXTENDIDA A NINGÚN OTRO MÁS QUE AL COMPRADOR ORIGINAL DE ESTE PRODUCTO NO ES TRANSFERIBLE Y DECLARA SU RECURSO EXCLUSIVO.

Algunas provincias o territorios pueden o no permitir limitaciones acerca de cuánto dura una garantía implicada, o la exclusión o limitación de daños incidentales o a causa de, así que las limitaciones o exclusiones pueden no aplicar a usted. Esta garantía le da los derechos legales específicos y usted puede tener también otros derechos los cuáles varían de estado a estado.

Para obtener este servicio de garantía, por favor contacte a SAMSUNG al:

1-800-SAMSUNG (726-7864) o

www.samsung.com/ca/support (Inglés),

www.samsung.com/ca_fr/support (Francés)

SAMSUNG

LIB0175253C

Printed in Mexico

05/24