

30" Induction Cooktop

800 Series – Black with Stainless Steel Frame NIT8060SUC



BOSCH

Invented for life



NIT8060SUC

Black with Stainless Steel Frame

Also available in:

Frameless NIT8060UC

The 800 Series induction cooktop is sleek in design, and features AutoChef® technology which maintains precise cooking temperatures.

Features & Benefits

Induction – faster than gas and electric cooktops. Precise cooking, easy cleaning and more efficient

AutoChef® – regulates temperatures continuously during frying and adjusts them as needed

11" cooking zone for larger pots and pans

Home Connect™ – the easy way to connect your smart device with your Bosch cooktop

Hood Control – convenient operation of the Home Connect™ enabled ventilation via your cooktop

Element Performance

Power of Front Left heating element 1,400 W

Power of Front Left heating element (in boost) 2,200 W

Power of Back Left heating element 2,200 W

Power of Back Left heating element (in boost) 3,700 W

Power of Back Right heating element 2,600 W

Power of Back Right heating element (in boost) 3,700 W

Power of Front Right heating element 1,400 W

Power of Front Right heating element (in boost) 2,200 W

Burners with booster All

Element Size

Dimension of Front Left heating element 6"

Dimension of Back Left heating element 9"

Dimension of Back Right heating element 11"

Dimension of Front Right heating element 6"

General Properties

Home Connect™ (Wi-Fi Enabled) Yes

Controls PreciseSelect® Touch

Technical Details

Watts 7,200 W

Circuit breaker 30 A

Volts 208-240 V

Frequency 60 Hz

Plug type No plug

Power cord length 37"

Energy source Electric

Dimensions & Weight

Overall appliance dimensions (HxWxD) 1/4" +4 1/8" x 31" x 21 1/4"

Required cutout size (HxWxD) 4 1/8" x 28 7/8" x 20"

Minimum distance from counter front 2 1/4"

Minimum distance from rear wall 2"

Net weight 41 lbs

Accessories—Optional



HEZ390210
8" AutoChef® pan



HEZ390220
9" AutoChef® pan



HEZ390230
10" AutoChef® pan



Accessories: To purchase Bosch accessories, cleaners & parts please visit www.bosch-home.com/us/store or call 1-800-944-2904 (Mon to Fri 5 am to 6 pm PST, Sat 6 am to 3 pm PST).

Notes: All height, width and depth dimensions are shown in inches. BSH reserves the absolute and unrestricted right to change product materials and specifications, at any time, without notice. Consult the product's installation instructions for final dimensional data and other details prior to making cutout.

Warranties: Please see Use & Care manual or Bosch website for statement of limited warranty.

For more information on our entire line of products, go to www.bosch-home.com/us or call 1-800-944-2904

© BSH Home Appliances Corporation. All rights reserved. Bosch is a registered trademark of Robert Bosch GmbH.

30" Induction Cooktop

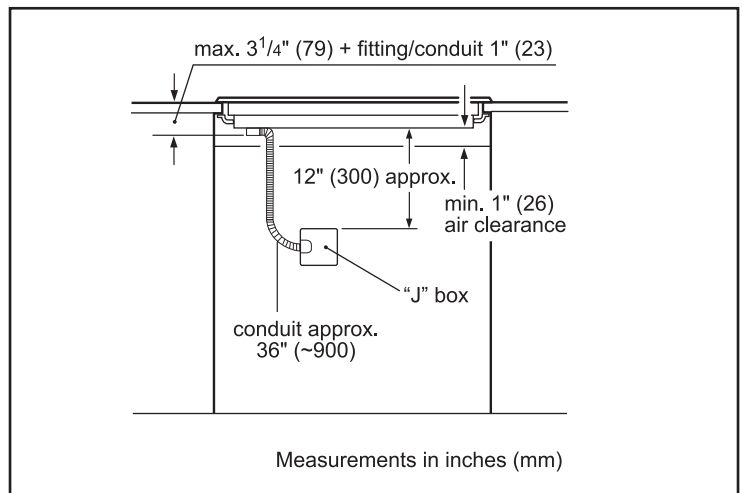
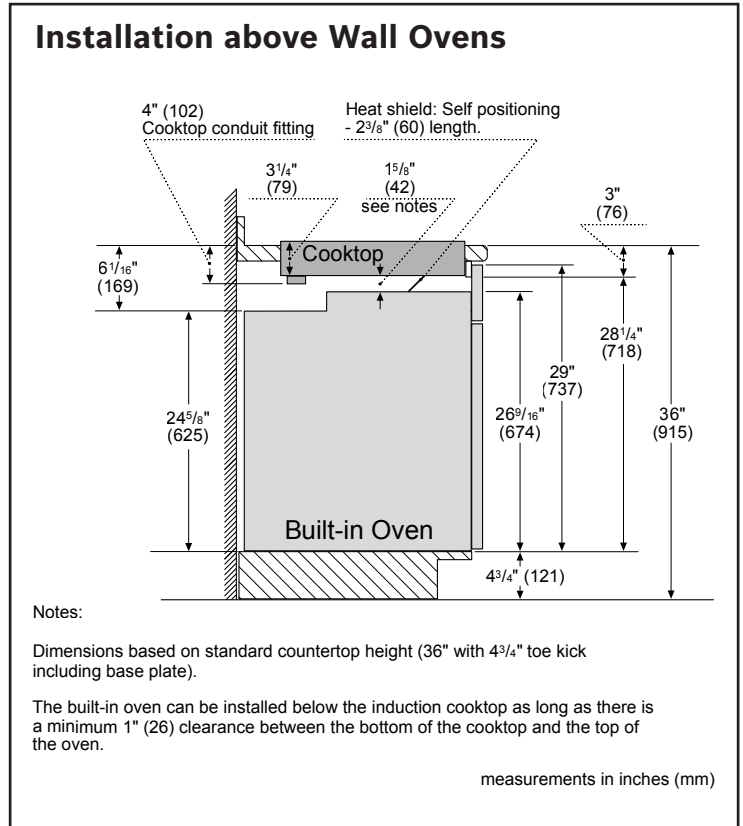
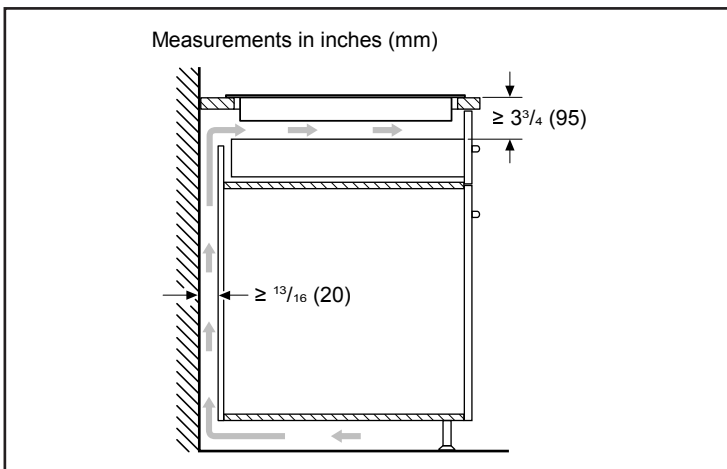
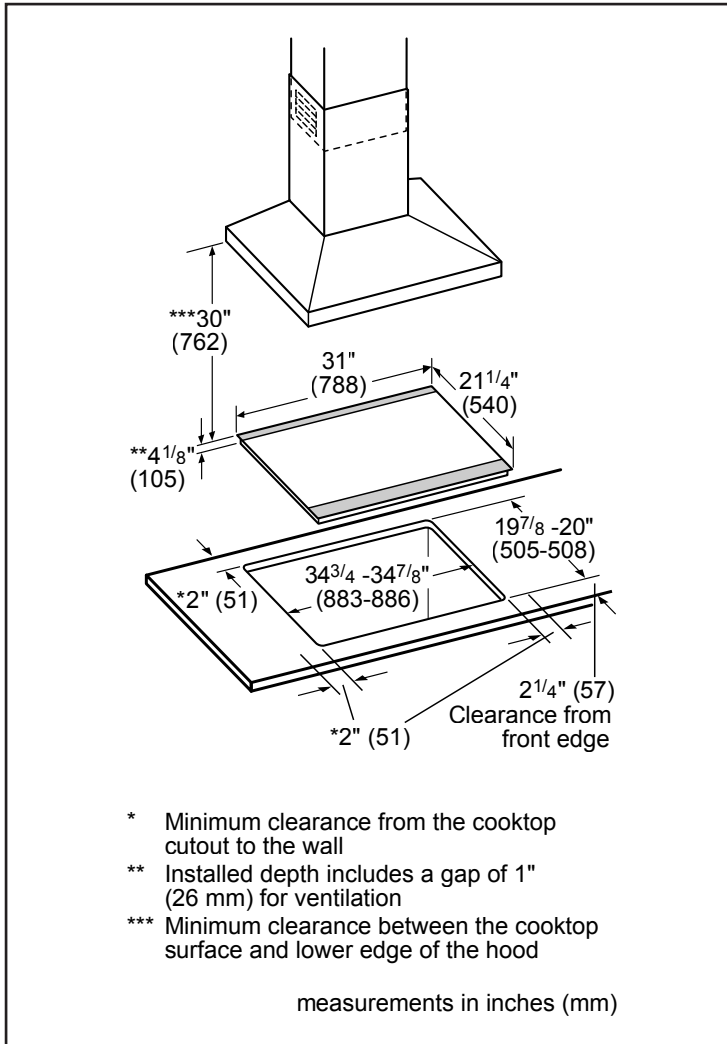
800 Series – Black with Stainless Steel Frame NIT8060SUC



BOSCH

Invented for life

Installation Details



Accessories: To purchase Bosch accessories, cleaners & parts please visit www.bosch-home.com/us/store or call 1-800-944-2904 (Mon to Fri 5 am to 6 pm PST, Sat 6 am to 3 pm PST).

Notes: All height, width and depth dimensions are shown in inches. BSH reserves the absolute and unrestricted right to change product materials and specifications, at any time, without notice. Consult the product's installation instructions for final dimensional data and other details prior to making cutout.

Warranties: Please see Use & Care manual or Bosch website for statement of limited warranty.

For more information on our entire line of products, go to www.bosch-home.com/us or call 1-800-944-2904

© BSH Home Appliances Corporation. All rights reserved. Bosch is a registered trademark of Robert Bosch GmbH.