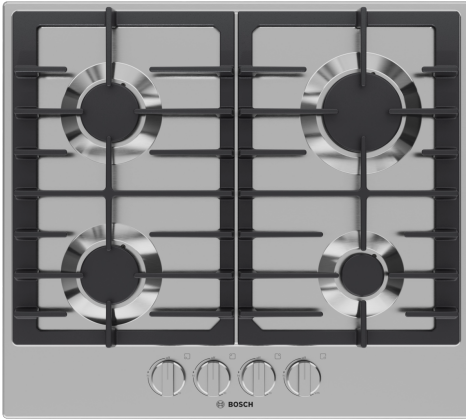


**300 Series, Gas Cooktop, Stainless steel**  
**NGM3450UC**



- **Electronic re-ignition:** automatically re-ignites the burner in case the flame goes out.
- **Easy-to-Clean:** a one-piece stainless steel design makes clean-up easy.
- **4 Burners:** 4 high-efficiency gas burners allow you to cook multiple dishes at once
- **Heavy-duty metal knobs for a premium look and feel.**
- **Low profile stainless steel cooking surface is easily accessible and quick to clean.**
- **Sealed burners prevent spills from entering the burner box**

---

UPC code: ..... 825225969945  
 Energy source: ..... Gas  
 Gas type: ..... Natural gas 15 mbar (USA)  
 Alternative gas type: ..... Liquid gas 27,5 mbar (USA)  
 Fuse protection: ..... 15 A  
 Volts: ..... 120 V  
 Frequency: ..... 60 Hz  
 Power Cord Length: ..... 40"  
 Plug type: ..... 120V-3 prong  
 Required Cutout Size (HxWxD) (in): ..... 5" x 22" x 19 1/4"  
 Overall appliance dimensions (HxWxD) (in): ..... 5" x 23" x 20 1/2"  
 Product packaging dimensions (HxWxD): ..... 5.55 x 22.75 x 25.98  
 Net Weight: ..... 29.000 lbs  
 Gross weight: ..... 31.000 lbs  
 Total number of cooktop burners: ..... 4

---



## **300 Series, Gas Cooktop, Stainless steel NGM3450UC**

---

### **Performance**

- 4 high-efficiency gas burners

### **Convenience**

- Porcelain enamel on cast iron grates

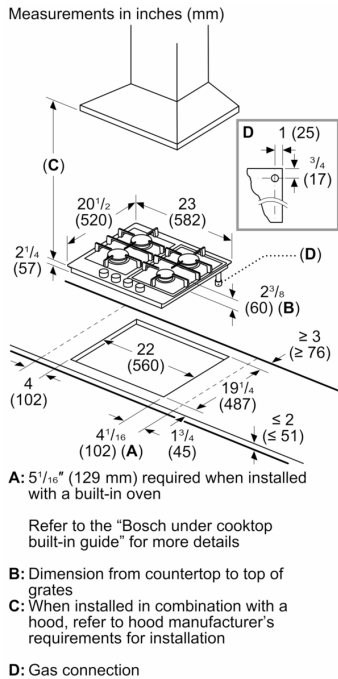
### **Design**

- Heavy-duty stainless color metal knobs for a premium look and feel
- Perfect results are within reach with up-front centralized controls

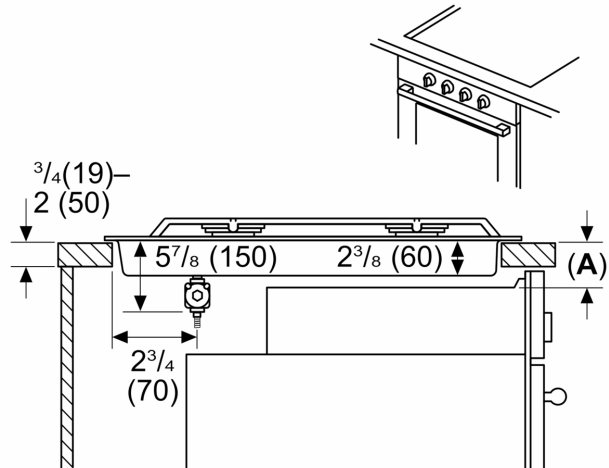
### **Safety**

- FlameSafe thermocouple sensing device will switch off the gas supply if flame temporarily extinguishes
- LP Conversion Kit Included for Conversion from Natural Gas to Liquid Propane

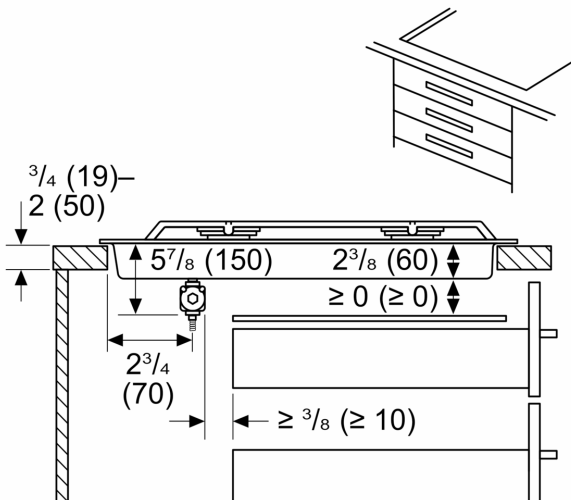
## 300 Series, Gas Cooktop, Stainless steel NGM3450UC



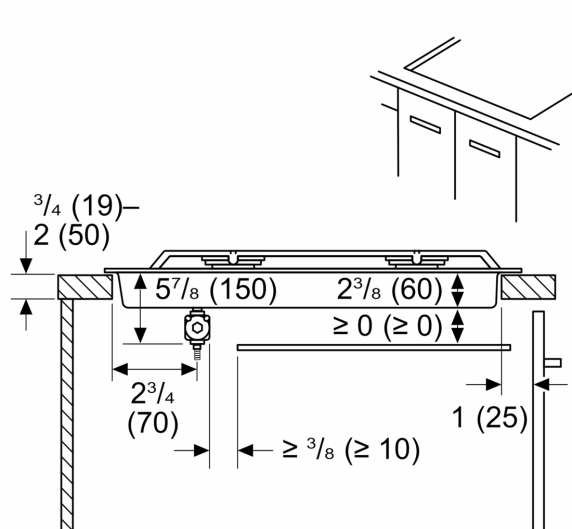
### Measurements in inches (mm) Cooktop over oven

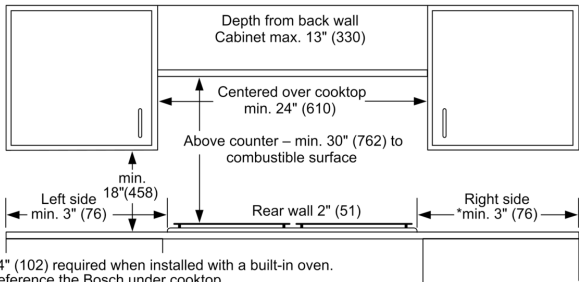


### Measurements in inches (mm) Cooktop over drawer



### Measurements in inches (mm) Cooktop over door





\* 4" (102) required when installed with a built-in oven.  
 Reference the Bosch under cooktop  
 built-in guide for more details.

measurements in inches (mm)