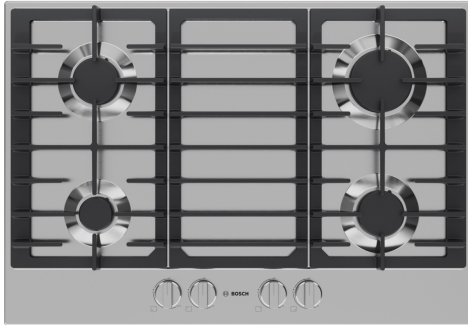


**300 Series, Gas Cooktop, Stainless steel
NGM3051UC**



The 300 Series gas cooktops are engineered to deliver perfect results with minimal effort.

- **FlameSafe Thermocouple Sensor:** shuts off the gas supply if flame is extinguished.
- **Easy-to-Clean:** a one-piece stainless steel design makes clean-up easy.
- **OptiSim® Burner:** the wide & thick burner design diffuses heat evenly and reduces hot spots -- perfect for simmering delicate sauces or melting chocolate.
- **Sealed burners help keep food and liquids on the cooktop surface for easier cleanup.**
- **Heavy-duty metal knobs for a premium look and feel.**
- **Sealed burners prevent spills from entering the burner box**

UPC code: 825225969785
 Color: Stainless steel
 Energy source: Gas
 Gas type: Natural gas 15 mbar (USA)
 Alternative gas type: Liquid gas 27,5 mbar (USA)
 Fuse protection: 15 A
 Volts: 120 V
 Frequency: 60 Hz
 Power Cord Length: 40"
 Plug type: 120V-3 prong
 Required Cutout Size (HxWxD) (in): 1 3/4" x 28 15/16" x 19 1/8"
 Minimum distance from counter front (in): 1 7/8"
 Minimum distance from rear wall (in): 3"
 Overall appliance dimensions (HxWxD) (in): 1 3/4" x 29 1/2" x 20 1/2"
 Product packaging dimensions (HxWxD): ... 5 46/64" x 31 7/32" x 23 1/2"
 Net Weight: 39.000 lbs
 Gross weight: 43.000 lbs
 Total number of cooktop burners: 4





**300 Series, Gas Cooktop, Stainless
steel
NGM3051UC**

**The 300 Series gas cooktops are
engineered to deliver perfect results with
minimal effort.**

Performance

- 4 high-efficiency gas burners

Convenience

- Porcelain enamel on cast iron grates

Design

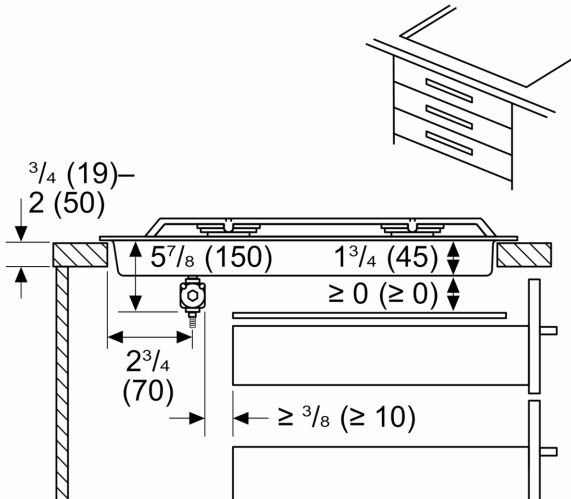
- Heavy-duty stainless color metal knobs for a premium look and feel
- Perfect results are within reach with up-front centralized controls

Safety

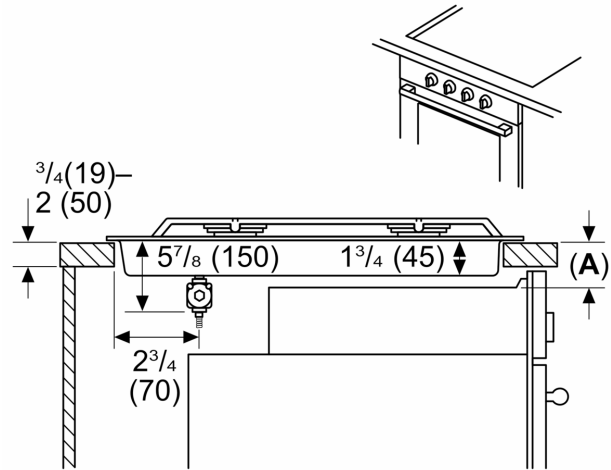
- FlameSafe thermocouple sensing device will switch off the gas supply if flame temporarily extinguishes
- LP Conversion Kit Included for Conversion from Natural Gas to Liquid Propane

300 Series, Gas Cooktop, Stainless steel NGM3051UC

Measurements in inches (mm)
Cooktop over drawer

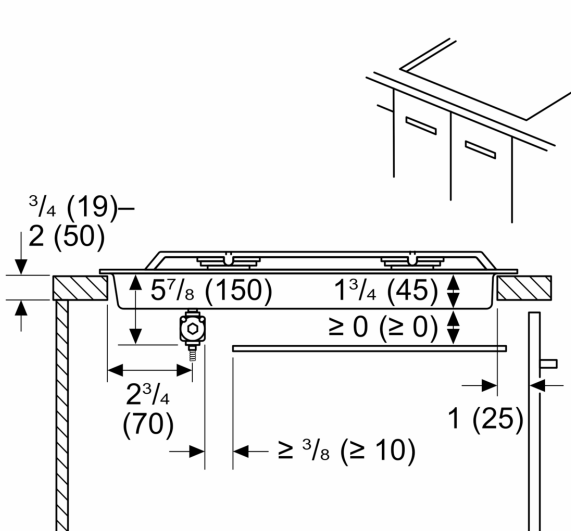


Measurements in inches (mm)
Cooktop over oven

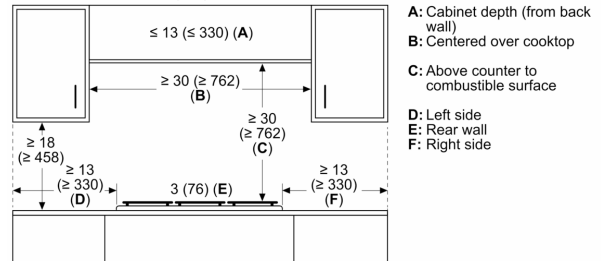


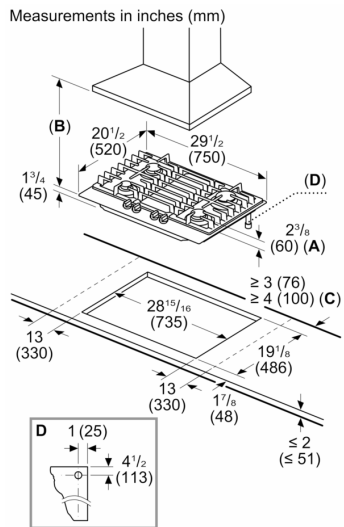
A: Refer to approved combination matrix

Measurements in inches (mm)
Cooktop over door



Measurements in inches (mm)





- A:** Dimension from countertop to top of grates
- B:** When installed in combination with a hood, refer to hood manufacturer's requirements for installation
- C:** For installation in a kitchen island
- D:** Gas connection