



Register your  
appliance and join  
the Bosch  
family of perks:  
[bosch-home.com/us/  
mybosch](https://bosch-home.com/us/mybosch)



# Cooktop

NET8069SUC NET8069UC NET8669SUC NET8669UC NETP069SUC  
NETP669SUC NEM5066UC NEM5666UC

[en-us]	Installation Instructions	Cooktop	2
[fr-ca]	Instructions d'installation	Surface de cuisson	10
[es-mx]	Instrucciones de instalación	Placa	19

## Table of contents

<b>1 IMPORTANT SAFETY INSTRUCTIONS.....</b>	<b>3</b>
1.1 Safety definitions.....	3
1.2 General information.....	3
1.3 General safety instructions.....	3
1.4 Appliance handling safety .....	4
1.5 Safety codes and standards.....	4
1.6 Electrical safety.....	4
1.7 State of California Proposition 65 Warnings .....	4
<b>2 Before you begin.....</b>	<b>5</b>
2.1 Parts included .....	5
2.2 Tools and parts needed .....	5
2.3 Cabinet requirements.....	5
2.4 Countertop requirements .....	5
<b>3 Prepare installation space.....</b>	<b>5</b>
3.1 Cutout dimensions for 30" cooktops .....	5
3.2 Cutout dimensions for 36" cooktops .....	6
<b>4 Installation procedure .....</b>	<b>6</b>
4.1 Securing the cooktop in the countertop .....	6
<b>5 Electrical connection .....</b>	<b>7</b>
5.1 Electrical requirements.....	7
5.2 Connecting electrical supply.....	8
<b>6 Checking the installation.....</b>	<b>8</b>
<b>7 Customer Service .....</b>	<b>8</b>
7.1 Model number (E-Nr.) and production number (FD) .....	8
7.2 Rating plate location.....	8



# IMPORTANT SAFETY INSTRUCTIONS

## READ AND SAVE THESE INSTRUCTIONS

Read all instructions carefully before use. These precautions will reduce the risk of electrical shock, fire and injury to persons. When using kitchen appliances, basic safety precautions must be followed including those in the following pages.

### 1.1 Safety definitions

Here you can find explanations of the safety signal words used in this manual.

#### **WARNING**

This indicates that death or serious injuries may occur as a result of non-observance of this warning.

#### **CAUTION**

This indicates that minor or moderate injuries may occur as a result of non-observance of this warning.

#### **NOTICE:**

This indicates that damage to the appliance or property may occur as a result of non-compliance with this advisory.

**Note:** This alerts you to important information and/or tips.

### 1.2 General information

- Read this manual carefully.
- Keep the instructions, the appliance pass and the product information safe for future reference or for the next owner.
- Do not connect the appliance if it has been damaged in transit.

### 1.3 General safety instructions

**IMPORTANT:** SAVE THESE INSTRUCTIONS FOR THE LOCAL ELECTRICAL INSPECTOR'S USE.

**OWNER:** PLEASE RETAIN THESE INSTRUCTIONS FOR FUTURE REFERENCE.

**INSTALLER:** LEAVE THESE INSTRUCTIONS WITH THE APPLIANCE AFTER INSTALLATION IS COMPLETE.

#### **WARNING**

If the information in this manual is not followed exactly, fire or shock may result causing property damage or personal injury.

Do not repair, replace or remove any part of the appliance unless specifically recommended in the manuals. Improper installation, service or maintenance can cause injury or property damage.

- ▶ Refer to this manual for guidance.
- ▶ All other servicing should be done by an authorized service provider.

When installing a cooktop over a single oven, be sure to follow the instructions in both the oven's and the cooktop's installation manuals.

- ▶ You can find a list of approved combinations of cooktop and oven in the Approved Combination Matrix of your cooktop, or you can contact Customer Service for the latest list of approved combinations. Do not try to install your cooktop over any oven that is not stated in that list.

DO NOT install any refrigerators, dishwashers, ovens (without ventilation), or washing machines below the cooktop. Refer to the Approved Combination Matrix.

Never modify or alter the construction of the appliance.

The appliance should only be used if installed by a qualified technician in accordance with these installation instructions. The manufacturer is not responsible for any damage resulting from incorrect installation.

To eliminate the risk of burns or fire by reaching over heated surface units, cabinet storage space located above the surface units should be avoided.

- ▶ If cabinet storage is to be provided, the risk can be reduced by installing a hood that projects horizontally a minimum of 5" (127 mm) beyond the bottom of the cabinet.
- ▶ Verify that cabinets above the cooktop are a maximum of 13" (330 mm) deep.

#### **NOTICE:**

We strongly recommend the installation of a ventilation system with this appliance.

#### **WARNING**

Remove all tape and packaging before using the appliance.

- ▶ Destroy the packaging after unpacking the appliance.
- ▶ Dispose of packaging in an environmentally responsible manner.
- ▶ Never allow children to play with packaging material.



# IMPORTANT SAFETY INSTRUCTIONS

READ AND SAVE THESE INSTRUCTIONS

## 1.4 Appliance handling safety

### WARNING



Hidden surfaces may have sharp edges.

- ▶ Use caution when reaching behind or under appliance.

## 1.5 Safety codes and standards

This appliance complies with the latest version of one or more of the following standards:

- UL 858 - Household Electric Ranges
- CAN/CSA-C22.2 No. 60335-1 - Safety of Household and Similar Electrical Appliances - General
- CAN/CSA-E60335-2-6, The Standard for the Safety of Household and similar electrical appliances.

It is the responsibility of the owner and the installer to determine if additional requirements and/or standards apply to specific installations.

## 1.6 Electrical safety

- **Installer** - show the owner the location of the circuit breaker or fuse. Mark it for easy reference.
- If required by the National Electrical Code (or Canadian Electrical Code), this appliance must be installed on a separate branch circuit.
- Local codes vary. The installer is responsible for ensuring that the installation, connections, and grounding comply with all applicable codes. The manufacturer is not responsible for any issues associated with the improper installation of this product.
- The circuit breaker must be in accordance with the National Electrical Code (or Canadian Electrical Code).
- Be sure your appliance is properly installed and grounded by a qualified technician. Installation, electrical connections and grounding must comply with all applicable codes.
- Refer to the rating plate for more information.  
→ "Rating plate location", Page 8

### WARNING

Before installing, turn power OFF at the service panel.

- ▶ Lock service panel to prevent power from being turned ON accidentally.

To be able to disconnect the appliance from the power supply, there must be a means of contact separation, e.g. a circuit breaker, on all poles, in accordance to local wiring codes.

### GROUNDING INSTRUCTIONS

- ▶ This appliance must be grounded.
- ▶ Grounding reduces the risk of electric shock by providing a safe pathway for electric current in the event of a short circuit.
- ▶ Be sure your appliance is properly installed and grounded by a qualified technician.
- ▶ Installation, electrical connections and grounding must comply with all applicable codes.

Before you turn on power supply, make sure all controls are in the OFF position.

## 1.7 State of California Proposition 65 Warnings

This product may contain a chemical known to the State of California, which can cause cancer or reproductive harm. Therefore, the packaging of your product may bear the following label as required by California:

### STATE OF CALIFORNIA PROPOSITION 65 WARNING:

 **WARNING**

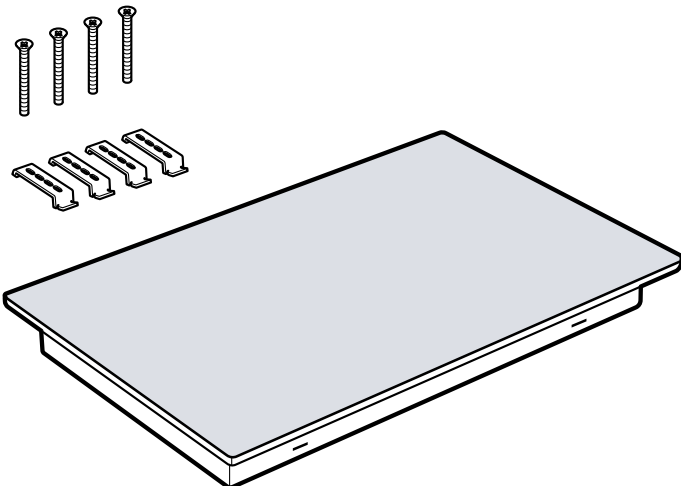
Cancer and Reproductive Harm - [www.P65Warnings.ca.gov](http://www.P65Warnings.ca.gov)

## 2 Before you begin

Read these instructions before you begin to install your appliance.

### 2.1 Parts included

After unpacking all the parts, check for any damage in transit and for completeness of delivery.



### 2.2 Tools and parts needed

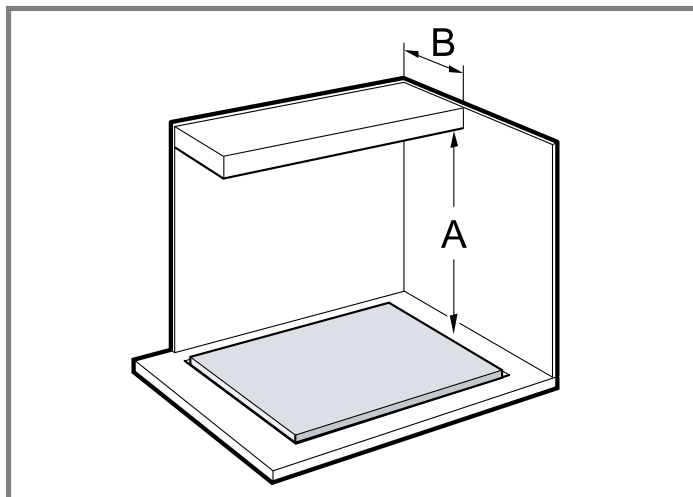
Prepare these tools and accessories before you start to install your appliance.

- Pencil
- Measuring tape
- Cross head screwdriver
- Drill with bit 1/4" (6 mm)
- Jigsaw

**Note:** Additional materials may be necessary for installation in solid surface countertops. Contact the countertop manufacturer.

### 2.3 Cabinet requirements

Ensure that the cabinetry at the installation location meets the requirements for a safe installation.



- The distance from the top of the cooktop to the bottom of cabinets above must be a minimum of  $A=30"$  (762 mm).

- This distance can be reduced to  $A=24"$  (610 mm) when the bottom of the wood or metal cabinet is protected by not less than 1/4" (6.35 mm) flame-retardant millboard covered with not less than no. 28 gauge sheet metal, 0.015" (0.4 mm) stainless steel, 0.024" (0.6 mm) aluminum or 0.020" (0.5 mm) copper.
- Verify that unprotected cabinets above the cooktop are a maximum of  $B=13"$  (330 mm) deep.

### Installation of a cooktop over ovens and microwaves

Only certain models may be installed over an oven or a microwave. Verify the Approved Combination Guide supplied with these instructions for approved installation combinations. Both products will have a label stating Approved Combination Guide.

### Installation of a range hood or a microwave hood above the cooktop

Follow the range hood or microwave hood installation instructions for dimensional clearance above the cooktop surface.

### 2.4 Countertop requirements

Ensure that the countertop into which the cooktop is to be installed meets these requirements for a safe installation.

#### ⚠ WARNING

To reduce the risk of ignition of surrounding combustible materials, install at least 3" (76 mm) from both sidewalls and at least 2" (51 mm) from the rear wall.

- The countertop must be level and horizontal.
- The stability of the countertop must be maintained after the cut-out has been made.
- Solid surface countertops often require special installations. For example, heat-reflective tape and rounded corners may be necessary.
- Contact the countertop manufacturer for instructions specific to your countertop.

## 3 Prepare installation space

Create the cutout in the countertop according to the instructions.

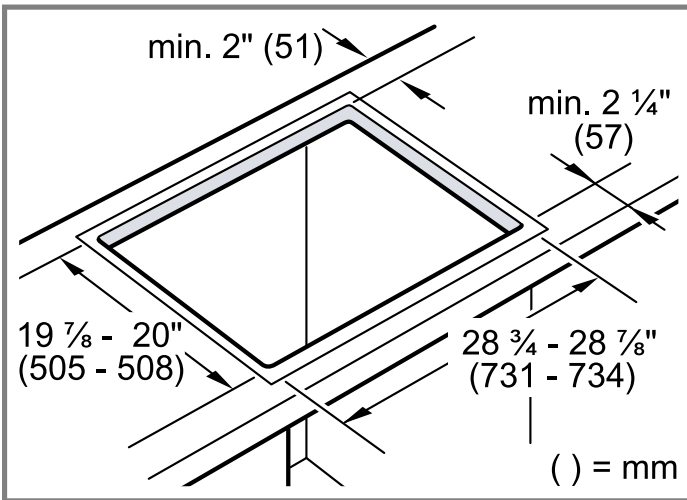
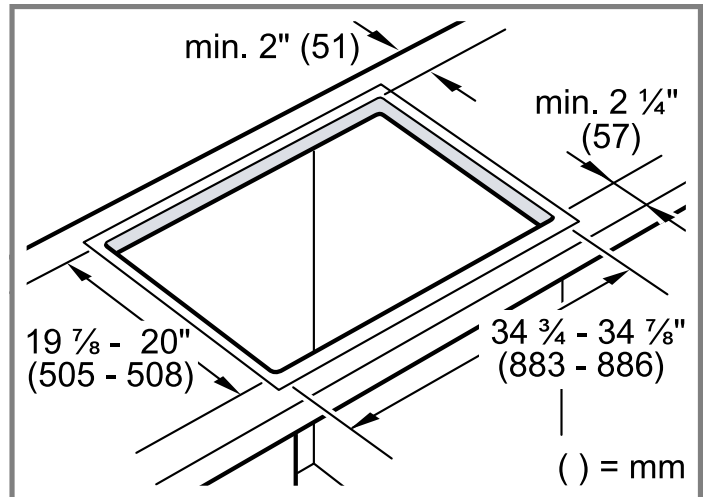
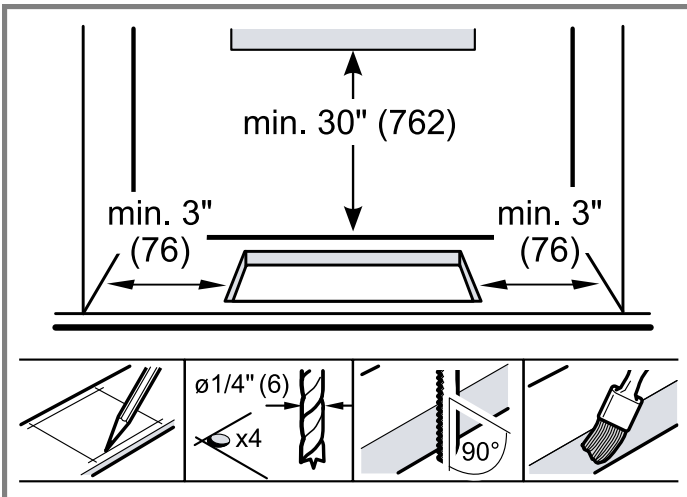
General countertop requirements:

- The angle of the cut surface to the countertop must be 90°.
- With multi-layered countertops, secure strips laterally in the cutout if necessary.
- After creating the cutout, remove all shavings.
- Seal the cut surfaces in a heat- and water-resistant manner.
- Observe the minimum distance between device underside and cabinet surfaces of 3/8" (10 mm).

### 3.1 Cutout dimensions for 30" cooktops

Refer to these measurements for the models stated here.

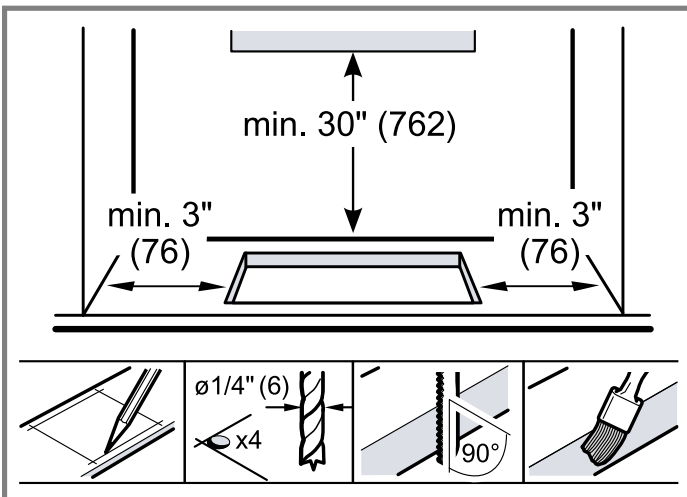
- NET8069SUC
- NET8069UC
- NETP069SUC
- NEM5066UC



### 3.2 Cutout dimensions for 36" cooktops

Refer to these measurements for the models stated here.

- NET8669SUC
- NET8669UC
- NETP669SUC
- NEM5666UC



## 4 Installation procedure

Follow these instructions to install the cooktop into the countertop.

### ⚠ CAUTION

Sharp edges.

- ▶ Use protective gloves when installing the appliance.

### ⚠ CAUTION

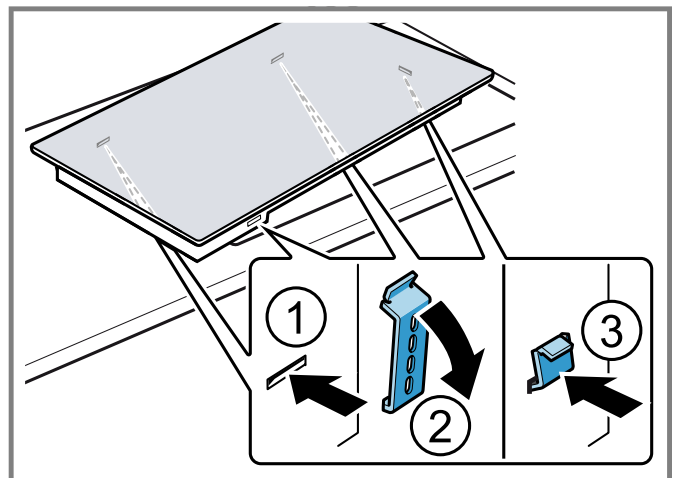
The appliance is heavy.

- ▶ It is recommended that two people install this appliance.

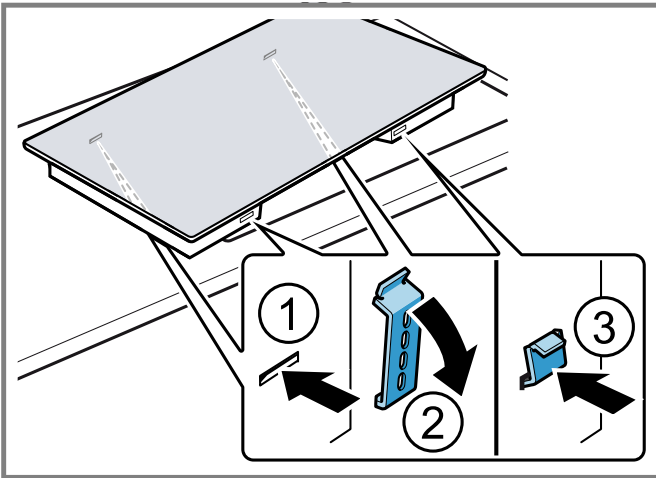
### 4.1 Securing the cooktop in the countertop

The cooktop should be secured to the countertop using the brackets provided.

1. Attach the brackets to the corresponding slots on the underside of the cooktop.

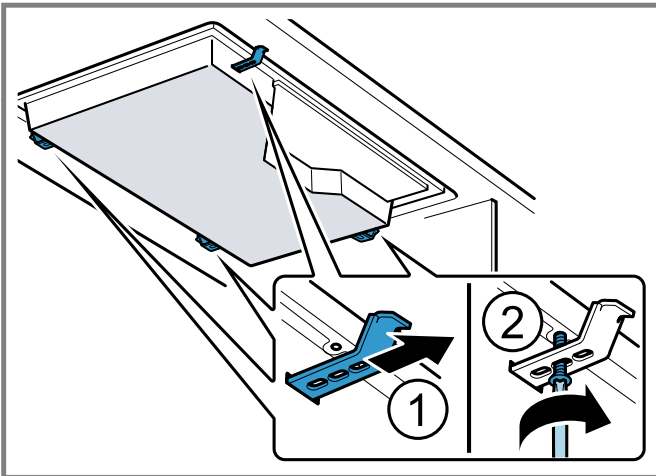


Models: NET8069SUC, NET8069UC

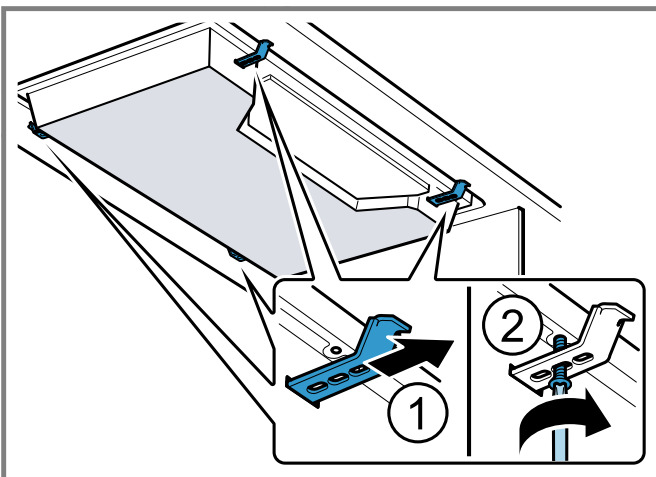


Models: NET8669SUC, NET8669UC, NETP669SUC, NETP069SUC, NEM5066UC, NEM5666UC

2. Place the cooktop into the countertop cutout.
3. Insert the clamping screws into the bracket and secure the cooktop to the countertop. Protect delicate countertops by placing a wooden disk underneath.



Models: NET8069SUC, NET8069UC



Models: NET8669SUC, NET8669UC, NETP669SUC, NETP069SUC, NEM5066UC, NEM5666UC

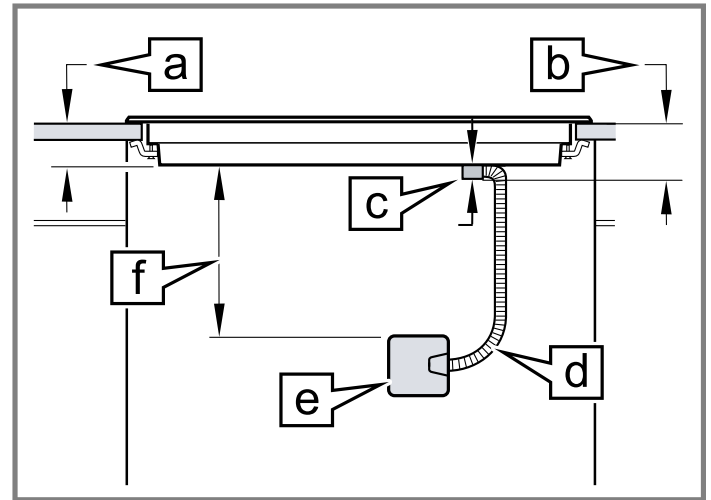
## 5 Electrical connection

Read these instructions to safely connect your appliance to the electrical supply.

### 5.1 Electrical requirements

Ensure that the following general requirements are met.

- You can find the rating plate with the electrical specifications on the underside of the appliance.  
→ "Rating plate location", Page 8
- The junction box must be located within 3 feet of the cooktop connection. It should be easily accessible for service purposes.



a	4" (100 mm)
b	5" (125 mm)
c	Fitting/conduit 1" (25 mm)
d	Conduit approx. 3 feet (900 mm)
e	Junction box
f	approx 12" (300 mm)



## Power supply

Model	240 V AC, 60 Hz system: circuit breaker	208 V AC, 60 Hz system: circuit breaker
NET8069SUC	40 Amp	30 Amp
NET8069UC	40 Amp	30 Amp
NET8669SUC	50 Amp	40 Amp
NET8669UC	50 Amp	40 Amp
NETP069SUC	40 Amp	40 Amp
NETP669SUC	40 Amp	40 Amp
NEM5066UC	30 Amp	30 Amp
NEM5666UC	40 Amp	40 Amp

## 5.2 Connecting electrical supply

### WARNING

Before installing, turn power OFF at the service panel.

- ▶ Lock service panel to prevent power from being turned ON accidentally.

To reduce the risk of electrical shock and fire, do not use a flexible power-supply cord with this appliance. Connect only to a 3-wire, 120/240-Volt power supply; the neutral conductor is not required for the operation of the appliance. The voltage at the power supply electrical connections shall be 150-volts-to-ground or less.

**Requirement:** The electrical power supply system should be a 1-phase, 3-wire system with ground connection.

1. Install a suitable junction box (not furnished).
  - An appropriately-sized, UL-listed conduit connector must be used to correctly attach the conduit to the junction box.
  - The branch-circuit breakers ampacity, the wire sizes and the connections must conform to the requirements of the National Electrical Code or Canadian Electrical Code and all local codes and ordinances.
2. Attach the flexible conduit to the junction box. Metal conduit and leads are factory installed.
3. Connect the cooktop lead wires to the junction box supply wires in proper phase.
  - black (L1) to black
  - red (L2) to red
  - green or blank copper wire to ground

## 6 Checking the installation

Check if your unit is working properly after you have completed the installation steps.

### WARNING

Before you turn on power supply, make sure all controls are in the OFF position.

1. Remove everything from the cooktop surface including stickers.
2. Clean the cooktop surface with cooktop cleaning cream.
3. Switch on the circuit breaker.
4. Verify that all cooking zones function properly.

## 7 Customer Service

If you have any questions on use, are unable to eliminate an issue in the appliance yourself, or the appliance needs to be repaired, please contact our Customer Service.

With any warranty repair, we will make sure your appliance is repaired by an authorized service provider using genuine replacement parts. We use only genuine replacement parts for all repairs.

Detailed information on the warranty period and terms of warranty can be found in the Statement of Limited Product Warranty, from your retailer, or on our website.

If you contact the Customer Service, you will need the model number (E-Nr.) and the production number (FD) of your appliance.

USA:

1-800-944-2904

[www.bosch-home.com/us/owner-support/get-support](http://www.bosch-home.com/us/owner-support/get-support)

[www.bosch-home.com/us/shop](http://www.bosch-home.com/us/shop)

CA:

1-800-944-2904

[www.bosch-home.ca/en/service/get-support](http://www.bosch-home.ca/en/service/get-support)

[www.bosch-home.ca/en/service/cleaners-and-accessories](http://www.bosch-home.ca/en/service/cleaners-and-accessories)

### 7.1 Model number (E-Nr.) and production number (FD)

You can find the model number (E-Nr.) and the production number (FD) on the appliance's rating plate.

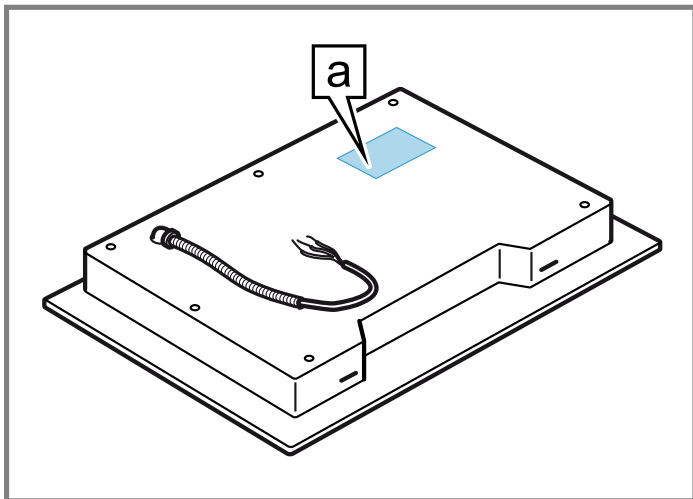
Making a note of your appliance's details and the Customer Service telephone number will enable you to find them again quickly.

### 7.2 Rating plate location

You can find the rating plate of your appliance:

- on the underside of the appliance
- in the appliance pass





**a** Rating plate

## Table des matières

<b>1 IMPORTANTES CONSIGNES DE SÉCURITÉ .....</b>	<b>11</b>
1.1 Définitions des termes de sécurité .....	11
1.2 Indications générales .....	11
1.3 Consignes générales de sécurité .....	11
1.4 Manipulation sécuritaire des appareils .....	12
1.5 Codes et normes de sécurité .....	12
1.6 Sécurité électrique .....	12
1.7 Mises en garde conformément à la proposition 65 de l'État de Californie .....	13
<b>2 Avant de commencer .....</b>	<b>14</b>
2.1 Pièces incluses .....	14
2.2 Outils et pièces nécessaires.....	14
2.3 Exigences concernant les armoires.....	14
2.4 Exigences du comptoir .....	14
<b>3 Préparation préalable au montage .....</b>	<b>14</b>
3.1 Dimensions de la découpe pour tables de cuisson de 30 po.....	15
3.2 Dimensions de la découpe pour tables de cuisson de 36 po.....	15
<b>4 Procédure d'installation .....</b>	<b>15</b>
4.1 Fixation de la table de cuisson dans le comptoir .....	15
<b>5 Raccordement électrique .....</b>	<b>16</b>
5.1 Exigences électriques .....	16
5.2 Connexion de l'alimentation électrique .....	17
<b>6 Inspecter l'installation .....</b>	<b>17</b>
<b>7 Service à la clientèle.....</b>	<b>17</b>
7.1 Numéro de modèle (E-Nr.) et numéro de fabrication (FD) .....	17
7.2 Emplacement de la plaque signalétique .....	17



# IMPORTANTES CONSIGNES DE SÉCURITÉ

## LIRE ET CONSERVER CES INSTRUCTIONS

Lisez toutes les instructions attentivement avant l'utilisation. Ces précautions réduiront le risque d'électrocution, d'incendie et de blessure pour les personnes utilisant l'appareil. Lorsque vous utilisez des appareils électroménagers, il importe de suivre les précautions de sécurité de base, y compris celles indiquées dans les pages suivantes.

### 1.1 Définitions des termes de sécurité

Vous trouverez ici des explications sur les mots de signalisation de sécurité utilisés dans ce manuel.

#### **AVERTISSEMENT**

Signale un risque de mort ou de blessure grave si l'avertissement n'est pas respecté.

#### **MISE EN GARDE**

Signale un risque de blessures mineures ou modérées si l'avertissement n'est pas respecté.

#### **AVIS :**

Ceci indique que la non-conformité à cet avis de sécurité peut entraîner des dégâts matériels ou endommager l'appareil.

**Remarque :** Ceci vous signale des informations et/ou indications importantes.

### 1.2 Indications générales

- Lisez attentivement cette notice.
- Conservez les notices, la carte de l'appareil ainsi que les informations produit en vue d'une réutilisation ultérieure ou pour un futur nouveau propriétaire.
- Ne branchez pas l'appareil si ce dernier a été endommagé durant le transport.

### 1.3 Consignes générales de sécurité

**IMPORTANT :** CONSERVEZ CES INSTRUCTIONS POUR L'UTILISATION DE L'INSPECTEUR ÉLECTRIQUE LOCAL.

**PROPRIÉTAIRE :** VEUILLEZ CONSERVER CES INSTRUCTIONS POUR RÉFÉRENCE FUTURE.

**INSTALLATEUR :** LAISSEZ CES INSTRUCTIONS AVEC L'APPAREIL UNE FOIS L'INSTALLATION COMPLÈTE.

#### **AVERTISSEMENT**

Si les consignes du présent manuel ne sont pas suivies à la lettre, il y a un risque d'incendie ou d'électrocution pouvant entraîner des dommages matériels ou des blessures.

Ne pas réparer, remplacer ni retirer toute pièce de l'électroménager à moins que cela ne soit spécifiquement recommandé par les manuels. L'installation, les réparations ou l'entretien inadéquats pourraient causer des blessures ou des dégâts matériels.

- ▶ Consulter ce manuel pour les directives d'utilisation.
- ▶ Toutes les autres réparations doivent être effectuées par un prestataire de services agréé.

Lorsque vous installez une table de cuisson sur un seul four, veillez à suivre les instructions des manuels d'installation du four et de la table de cuisson.

- ▶ Vous pouvez trouver une liste des combinaisons approuvées de table de cuisson et de four dans la matrice de combinaisons approuvées de votre table de cuisson, ou vous pouvez contacter le service clientèle pour obtenir la dernière liste des combinaisons approuvées. Ne pas essayer d'installer la table de cuisson au-dessus de n'importe quel four non énuméré dans cette liste.

N'installez PAS de réfrigérateurs, de lave-vaisselle, de fours (sans ventilation) ou de machine à laver sous la table de cuisson. Reportez-vous à la matrice de combinaison approuvée.

Ne jamais modifier ni altérer la structure de l'appareil électroménager.

Utilisez uniquement l'appareil électroménager s'il a été installé par un technicien qualifié conformément aux présentes instructions d'installation. Le fabricant ne peut pas être tenu responsable de tous dommages causés par une installation inadéquate.

Pour éliminer le risque de brûlure ou d'incendie lorsque vous vous étirez au-dessus des surfaces chauffantes de l'électroménager, il faut éviter d'installer des armoires de rangement au-dessus de la surface de l'électroménager.

- ▶ Si une armoire de rangement est installée, il est possible de réduire le risque en installant une hotte qui dépasse (horizontalement) d'au moins 5 po (127 mm) le bord du fond de l'armoire.
- ▶ Vérifier que la profondeur des armoires au-dessus de la table de cuisson est au maximum de 13 po (330 mm).



# IMPORTANTES CONSIGNES DE SÉCURITÉ

## LIRE ET CONSERVER CES INSTRUCTIONS

### AVIS :

Nous recommandons fortement l'installation d'un système de ventilation avec cet appareil.

### AVERTISSEMENT

Retirer tout le ruban adhésif et l'emballage avant d'utiliser l'électroménager.

- ▶ Jetez l'emballage après avoir déballé l'électroménager.
- ▶ Éliminez l'emballage d'une manière respectueuse de l'environnement.
- ▶ Ne laissez jamais les enfants jouer avec le matériel d'emballage.

## 1.4 Manipulation sécuritaire des appareils

### AVERTISSEMENT



Certaines surfaces cachées peuvent avoir des rebords tranchants.

- ▶ Redoubler de vigilance quand vous passez la main derrière ou sous l'appareil électroménager.

## 1.5 Codes et normes de sécurité

Cet appareil est conforme aux plus récentes versions de l'une ou plus des normes suivantes :

- UL 858 - Cuisinières électriques domestiques
- CAN/CSA-C22.2 No. 60335-1 - Sécurité des appareils électrodomestiques et analogues - Généralités
- CAN/CSA-E60335-2-6, Norme pour la sécurité des appareils électroménagers et similaires.

Il est de la responsabilité du propriétaire et de l'installateur de déterminer si des exigences et/ou des normes supplémentaires s'appliquent à des installations spécifiques.

## 1.6 Sécurité électrique

- **Installateur** - indiquez au propriétaire l'emplacement du disjoncteur ou du fusible. Identifiez sa position pour pouvoir le retrouver facilement.
- S'il y a lieu, conformément au Code national de l'électricité (ou au Code canadien de l'électricité), cet appareil doit être installé sur un circuit de dérivation séparé.

- Les codes locaux peuvent varier. L'installateur est responsable de s'assurer que l'installation, les connexions et la mise à la terre sont conformes à tous les codes applicables. Le fabricant n'est pas responsable des problèmes associés à une mauvaise installation de ce produit.
- Le disjoncteur doit être conforme au Code national de l'électricité (ou au Code canadien de l'électricité).
- Assurez-vous que l'appareil est correctement installé et mis à la terre par un technicien qualifié. L'installation, les raccordements électriques et la mise à la terre doivent être conformes avec tous les codes en vigueur.
- Voir la fiche signalétique pour plus d'information.  
→ "Emplacement de la plaque signalétique", Page 17

### AVERTISSEMENT

Avant l'installation, couper l'alimentation au panneau de service.

- ▶ Verrouiller le panneau de service pour empêcher que l'alimentation ne soit rétablie par accident.

Pour pouvoir déconnecter l'appareil de l'alimentation électrique, il doit y avoir un moyen de séparation des contacts, par ex. un disjoncteur, sur tous les pôles, conformément aux codes de câblage locaux.

### INSTRUCTIONS DE MISE À LA TERRE

- ▶ Cet appareil doit être mis à la terre.
- ▶ La mise à la terre réduit le risque de choc électrique en fournissant une voie sûre pour le courant électrique en cas de court-circuit.
- ▶ Assurez-vous que l'appareil est correctement installé et mis à la terre par un technicien qualifié.
- ▶ L'installation, les raccordements électriques et la mise à la terre doivent être conformes avec tous les codes en vigueur.

Avant de mettre sous tension la source d'alimentation, vérifiez que toutes les commandes sont à la position OFF (Arrêt).



# IMPORTANTES CONSIGNES DE SÉCURITÉ

LIRE ET CONSERVER CES INSTRUCTIONS

---

## 1.7 Mises en garde conformément à la proposition 65 de l'État de Californie

Ce produit pourrait contenir un produit chimique reconnu par l'État de la Californie comme cancérigène ou ayant des effets nocifs sur la reproduction. Par conséquent, vous pourriez devoir apposer l'étiquette suivante sur l'emballage du produit comme requis par la Californie :

**AVERTISSEMENT ISSUE DE LA PROPOSITION 65 DE L'ÉTAT DE LA CALIFORNIE :**

 **AVERTISSEMENT**

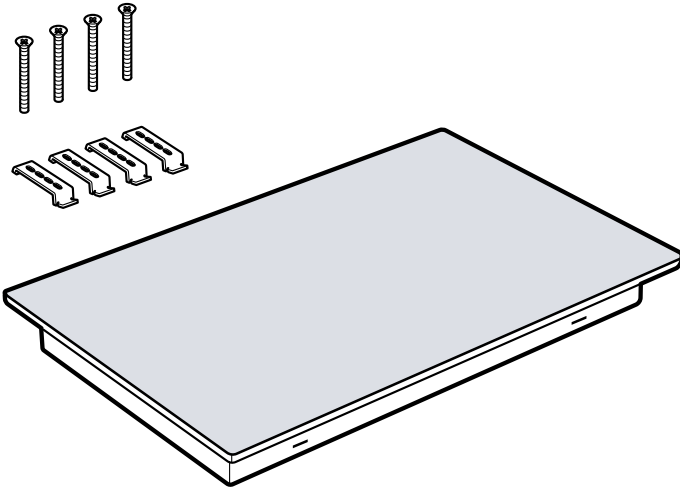
Cancer et dommages à la reproduction -  
[www.P65Warnings.ca.gov](http://www.P65Warnings.ca.gov)

## 2 Avant de commencer

Lisez ces instructions avant de commencer l'installation de votre appareil.

### 2.1 Pièces incluses

Après avoir déballé le produit, inspectez toutes les pièces pour détecter d'éventuels dégâts dus au transport et pour vous assurer de l'intégralité de la livraison.



### 2.2 Outils et pièces nécessaires

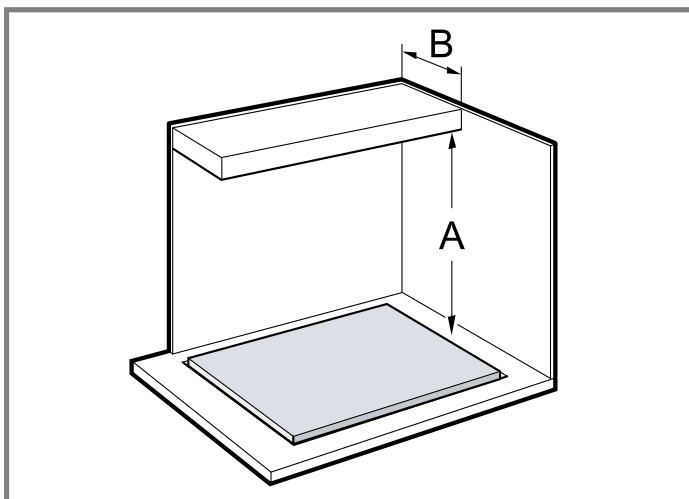
Préparez ces outils et accessoires avant de commencer à installer votre électroménager.

- Crayon
- Ruban à mesurer
- Tournevis cruciforme
- Perceuse avec mèche de 1/4 po (6 mm)
- Scie sauteuse

**Remarque :** Des matériaux supplémentaires peuvent être nécessaires pour l'installation de comptoirs à surface solide. Contactez le fabricant du comptoir.

### 2.3 Exigences concernant les armoires

Assurez-vous que les armoires du site d'installation répondent aux exigences d'une installation sécuritaire.



- La distance entre le haut de la table de cuisson et le bas des armoires ci-dessus doit être d'au moins  $A = 30$  po (762 mm).
- Cette distance peut être réduite à  $A=24$  po (610 mm) quand le bas de l'armoire en bois ou en métal est protégé par du carton enroulé ignifuge d'un minimum de  $\frac{1}{4}$  po (6,35 mm), lequel est recouvert au minimum de tôle de calibre 28, d'acier inoxydable de 0,015 po (0,4 mm), d'aluminium de 0,024 po (0,6 mm) ou de cuivre de 0,020 po (0,5 mm).
- Vérifiez que les armoires non protégées au-dessus de la table de cuisson ont une profondeur maximale de  $B = 13$  po (330 mm).

### Installation d'une table de cuisson sur fours et micro-ondes

Seuls certains modèles peuvent être installés au-dessus d'un four ou d'un micro-ondes. Vérifiez le guide de combinaison approuvé fourni avec ces instructions pour les combinaisons d'installation approuvées. Les deux produits porteront une étiquette indiquant le guide de combinaison approuvé.

### Installation d'une hotte aspirante ou d'une hotte micro-ondes au dessus de la table de cuisson

Suivez les instructions d'installation de la hotte de cuisinière ou de micro-ondes pour le dégagement dimensionnel au-dessus de la surface de cuisson.

### 2.4 Exigences du comptoir

Assurez-vous que le comptoir dans lequel la table de cuisson doit être installée répond à ces exigences pour une installation sécuritaire.

#### **⚠ AVERTISSEMENT**

Pour réduire le risque d'allumage dans un environnement combustible, installer à au moins 3 po (76 mm) des parois et à au moins 2 po (51 mm) du mur arrière.

- Le comptoir doit être de niveau et horizontal.
- La stabilité du comptoir doit être maintenue une fois la découpe effectuée.
- Les comptoirs à surface solide nécessitent souvent des installations spéciales. Par exemple, il peut être nécessaire d'appliquer du ruban réflecteur de chaleur et de découper des coins ronds.
- Communiquez avec le fabricant du plan de travail pour connaître les directives spécifiques à ce dernier.

## 3 Préparation préalable au montage

Créez la découpe dans le comptoir selon les instructions.

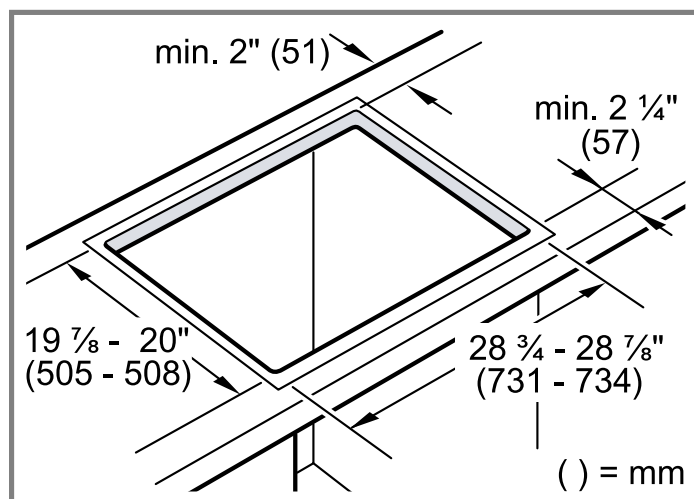
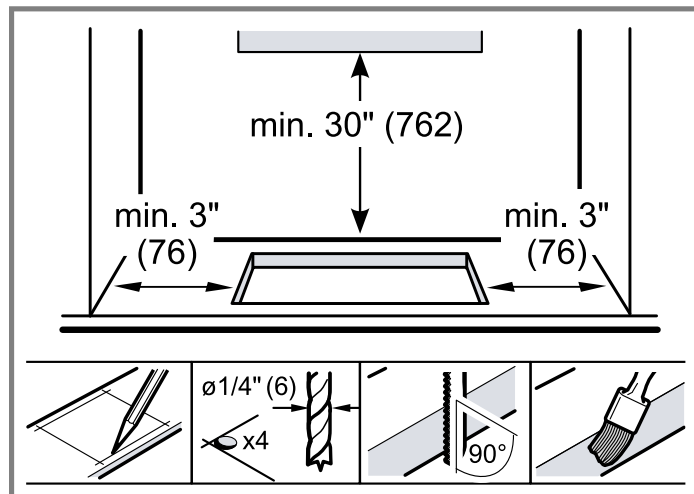
Exigences générales du comptoir :

- Maintenez un angle de coupe de 90 degrés par rapport au plan de travail.
- Avec les comptoirs multi-couches, fixez les bandes latéralement dans la découpe si nécessaire.
- Après la découpe, retirez les copeaux.
- Sceller les surfaces coupées de manière à résister à la chaleur et à l'eau.
- Respectez la distance minimale entre le dessous de l'appareil et les surfaces de l'armoire de  $\frac{3}{8}$  po (10 mm).

### 3.1 Dimensions de la découpe pour tables de cuisson de 30 po

Reportez-vous à ces mesures pour les modèles indiqués ici.

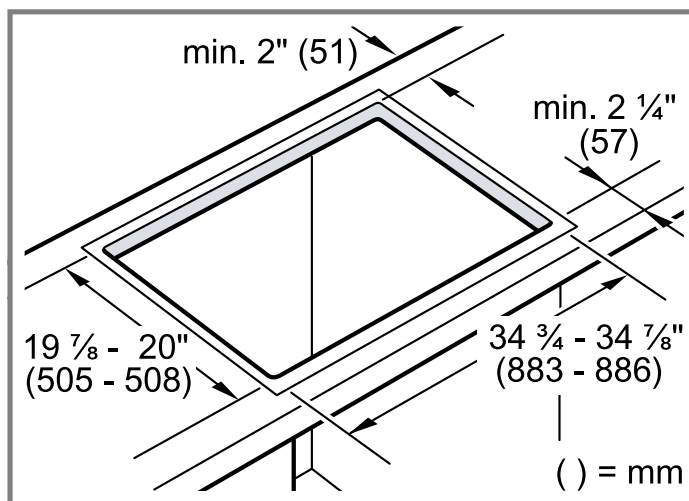
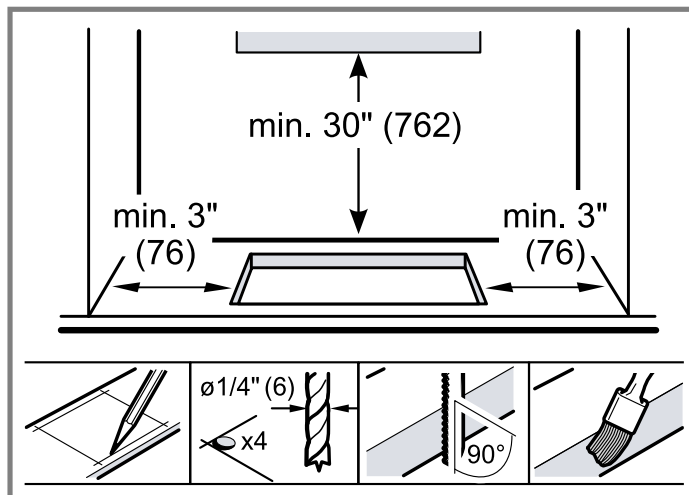
- NET8069SUC
- NET8069UC
- NITP069SUC
- NEM5066UC



### 3.2 Dimensions de la découpe pour tables de cuisson de 36 po

Reportez-vous à ces mesures pour les modèles indiqués ici.

- NET8669SUC
- NET8669UC
- NITP669SUC
- NEM5666UC



## 4 Procédure d'installation

Suivez ces instructions pour installer la table de cuisson dans le comptoir.

### ⚠ MISE EN GARDE

Bords tranchants.

- ▶ Utilisez des gants de protection lors de l'installation de l'appareil.

### ⚠ MISE EN GARDE

Cet appareil est lourd.

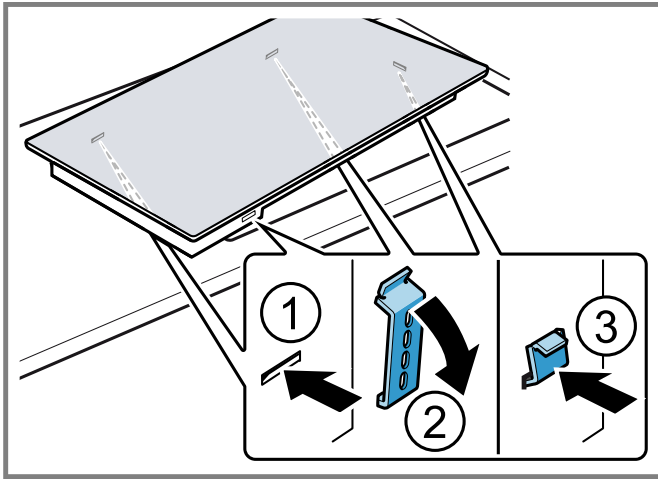
- ▶ Il est recommandé que deux personnes installent cet appareil.

### 4.1 Fixation de la table de cuisson dans le comptoir

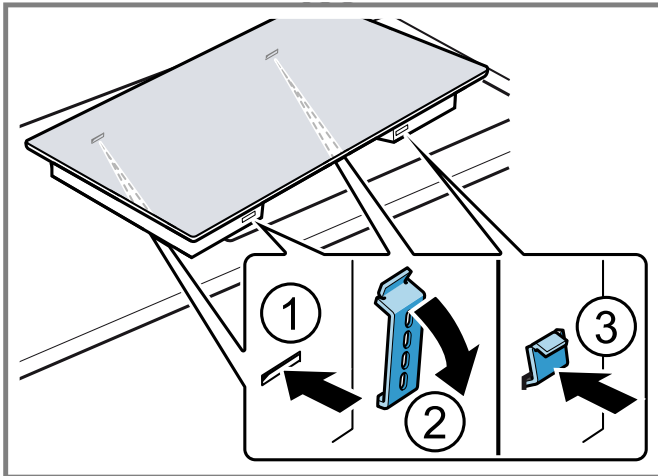
La table de cuisson doit être fixée sur le comptoir avec les supports fournis.

1. Fixez les supports aux fentes correspondantes sur le dessous de la table de cuisson.



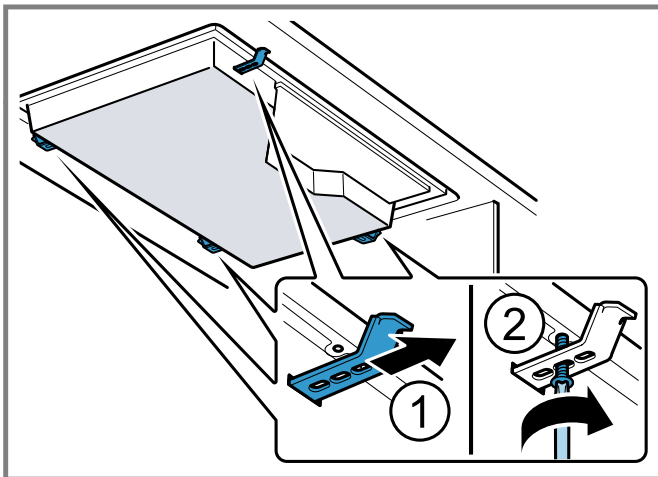


Modèles : NET8069SUC, NET8069UC

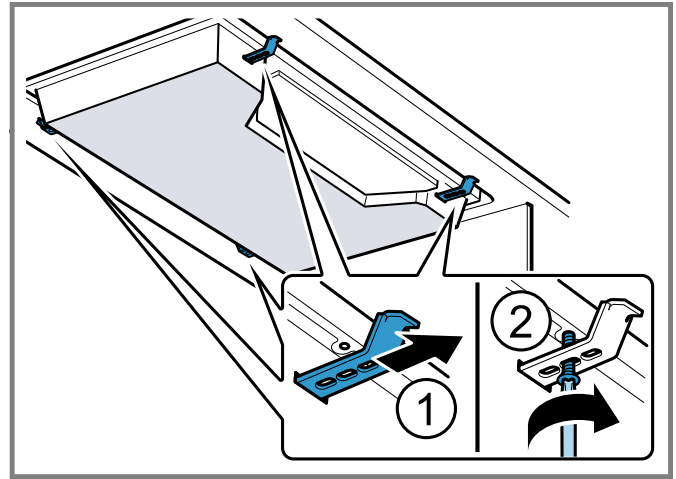


Modèles : NET8669SUC, NET8669UC, NETP669SUC, NETP069SUC, NEM5066UC, NEM5666UC

2. Placez la table de cuisson dans la découpe du comptoir.
3. Insérez les vis de serrage dans le support et fixez la table de cuisson au plan de travail. Protégez les comptoirs délicats en plaçant un disque en bois en dessous.



Modèles : NET8069SUC, NET8069UC



Modèles : NET8669SUC, NET8669UC, NETP669SUC, NETP069SUC, NEM5066UC, NEM5666UC

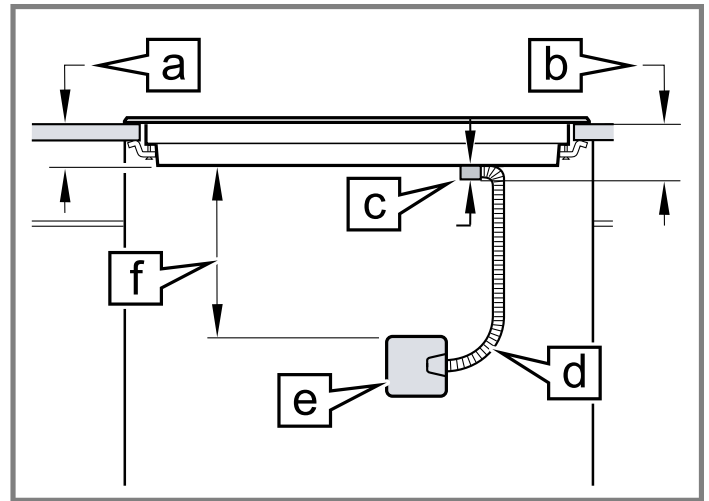
## 5 Raccordement électrique

Lisez ces instructions pour connecter votre appareil en toute sécurité à l'alimentation électrique.

### 5.1 Exigences électriques

Assurez-vous que les conditions générales suivantes sont remplies.

- Vous pouvez trouver la plaque signalétique avec les spécifications électriques sur la face inférieure de l'appareil.  
→ "Emplacement de la plaque signalétique", Page 17
- La boîte de jonction doit être située à moins de 3 pieds de la connexion de la table de cuisson. Il doit être facilement accessible à des fins de service.



a	4 po (100 mm)
b	5 po (125 mm)
c	Raccord / conduit 1 po (25 mm)
d	Conduit env. 3 pieds (900 mm)
e	Boîte de jonction
f	environ 12 po (300 mm)

## Alimentation

Modèle	Système 240 V CA, 60 Hz : disjoncteur	Système 208 V CA, 60 Hz : disjoncteur
NET8069SUC	40 amp	30 amp
NET8069UC	40 amp	30 amp
NET8669SUC	50 amp	40 amp
NET8669UC	50 amp	40 amp
NITP069SUC	40 amp	40 amp
NITP669SUC	40 amp	40 amp
NEM5066UC	30 amp	30 amp
NEM5666UC	40 amp	40 amp

## 5.2 Connexion de l'alimentation électrique

### ⚠ AVERTISSEMENT

Avant l'installation, couper l'alimentation au panneau de service.

- ▶ Verrouiller le panneau de service pour empêcher que l'alimentation ne soit rétablie par accident.

Pour réduire les risques d'électrocution et d'incendie, n'utilisez pas de cordon d'alimentation flexible avec cet appareil. Connectez uniquement à une alimentation à 3 fils de 120/240 volts; le conducteur neutre n'est pas nécessaire pour le fonctionnement de l'appareil. La tension aux connexions électriques de l'alimentation électrique doit être de 150 volts à la terre ou moins.

**Exigence** : La source d'alimentation doit être une source trifilaire monophasée avec connexion à la terre.

1. Installez une boîte de jonction convenable (non fournie).
  - Un raccord de conduit homologué UL de calibre approprié doit être utilisé pour fixer correctement le conduit à la boîte de jonction.
  - L'intensité des disjoncteurs de dérivation, les dimensions des câbles et les connexions doivent être conformes aux exigences du Code national de l'électricité ou du Code canadien de l'électricité et à tous les codes et règlements locaux.
2. Fixez le conduit flexible au boîtier de jonction. Le conduit et les fils métalliques sont installés en usine.
3. Raccordez les fils conducteurs de la table de cuisson aux fils d'alimentation de la boîte de jonction en phase appropriée.
  - noir (L1) au noir
  - rouge (L2) au rouge
  - fil de cuivre vert ou blanc à la terre

## 6 Inspecter l'installation

Vérifiez si votre appareil fonctionne correctement après avoir terminé les étapes d'installation.

### ⚠ AVERTISSEMENT

Avant de mettre sous tension la source d'alimentation, vérifiez que toutes les commandes sont à la position OFF (Arrêt).

1. Retirez tout de la surface de cuisson, y compris les autocollants.
2. Nettoyez la surface de cuisson avec de la crème nettoiyante pour table de cuisson.

3. Activez le disjoncteur.
4. Vérifiez que toutes les zones de cuisson fonctionnent correctement.

## 7 Service à la clientèle

Contactez notre service à la clientèle si vous avez des questions, si vous n'arrivez pas à corriger un défaut de l'appareil ou si ce dernier doit être réparé.

Lors de toute réparation réalisée dans le cadre de la garantie, nous nous assurons que votre appareil est réparé avec des pièces de rechange d'origine par un technicien dûment formé et agréé. Nous utilisons exclusivement des pièces de rechange d'origine lors des réparations.

Pour plus d'informations sur la durée et les conditions de la garantie dans votre pays, consultez nos modalités de garantie auprès de votre détaillant ou sur notre site Web. Si vous contactez le service à la clientèle, indiquez le numéro de modèle (E-Nr.) et le numéro de fabrication (FD) de l'appareil.

USA:

1-800-944-2904

[www.bosch-home.com/us/owner-support/get-support](http://www.bosch-home.com/us/owner-support/get-support)

[www.bosch-home.com/us/shop](http://www.bosch-home.com/us/shop)

CA:

1-800-944-2904

[www.bosch-home.ca/en/service/get-support](http://www.bosch-home.ca/en/service/get-support)

[www.bosch-home.ca/en/service/cleaners-and-accessories](http://www.bosch-home.ca/en/service/cleaners-and-accessories)

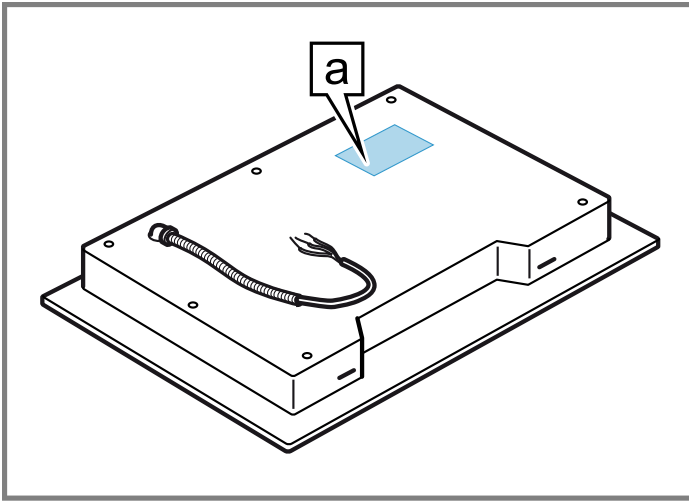
### 7.1 Numéro de modèle (E-Nr.) et numéro de fabrication (FD)

Le numéro de modèle (E-Nr.) et le numéro de fabrication (FD) sont indiqués sur la plaque signalétique de l'appareil. Pour retrouver rapidement les données de votre appareil et le numéro de téléphone du service à la clientèle, n'hésitez pas à les recopier ailleurs.

### 7.2 Emplacement de la plaque signalétique

Vous trouverez la plaque signalétique de votre appareil :

- sur la face inférieure de l'appareil
- sur le ticket de l'appareil



**a** Plaque signalétique

## Tabla de contenidos

<b>1 INSTRUCCIONES DE SEGURIDAD</b>	
<b>  IMPORTANTES.....</b>	<b>20</b>
1.1 Definiciones de seguridad .....	20
1.2 Indicaciones generales .....	20
1.3 Instrucciones generales de seguridad.....	20
1.4 Seguridad de manejo del aparato .....	21
1.5 Códigos y normas de seguridad.....	21
1.6 Seguridad eléctrica .....	21
1.7 Advertencias en virtud de la Proposición 65 del estado de California .....	22
<b>2 Antes de empezar .....</b>	<b>23</b>
2.1 Partes incluidas.....	23
2.2 Herramientas y partes necesarias .....	23
2.3 Requisitos del gabinete .....	23
2.4 Requisitos de la cubierta .....	23
<b>3 Preparar el lugar de instalación.....</b>	<b>23</b>
3.1 Dimensiones del hueco para placas de cocción de 30 pulgadas .....	24
3.2 Dimensiones del hueco para placas de cocción de 36 pulgadas .....	24
<b>4 Procedimiento de instalación .....</b>	<b>24</b>
4.1 Asegurar la placa de cocción a la cubierta .....	24
<b>5 Conexión eléctrica .....</b>	<b>25</b>
5.1 Requisitos eléctricos .....	25
5.2 Conectar el suministro eléctrico .....	26
<b>6 Comprobar la instalación .....</b>	<b>26</b>
<b>7 Servicio de atención al cliente .....</b>	<b>26</b>
7.1 Número de modelo (E-Nr.) y número de fabricación (FD) .....	26
7.2 Ubicación de la placa de características del aparato.....	26



# INSTRUCCIONES DE SEGURIDAD IMPORTANTES

## LEA Y CONSERVE ESTAS INSTRUCCIONES

Leer atentamente todas las instrucciones antes de proceder con el uso. Si se toman estas precauciones, se reducirán los riesgos de descargas eléctricas, incendios y lesiones personales. Al utilizar aparatos de cocina, se deben tomar precauciones de seguridad básicas, incluidas las que se detallan en las páginas siguientes.

### 1.1 Definiciones de seguridad

Aquí puede encontrar explicaciones de las palabras de señal de seguridad utilizadas en este manual.

#### **ADVERTENCIA**

Esto indica que pueden producirse la muerte o heridas graves si no se cumple con esta advertencia.

#### **PRECAUCIÓN**

Esto indica que pueden producirse heridas leves o moderadas si no se cumple con esta advertencia.

#### **AVISO:**

Esto indica que pueden producirse daños en el aparato o en los bienes si no se cumple con este aviso.

**Nota:** Esto alerta sobre información o sugerencias importantes.

### 1.2 Indicaciones generales

- Lea atentamente estas instrucciones.
- Conserve los manuales, el certificado de dispositivo y la información del producto para un uso posterior o para posibles compradores posteriores.
- El aparato no debe conectarse en caso de haber sufrido daños durante el transporte.

### 1.3 Instrucciones generales de seguridad

**IMPORTANTE:** CONSERVAR ESTAS INSTRUCCIONES PARA QUE PUEDA USARLAS EL INSPECTOR DE ELECTRICIDAD LOCAL.

**PROPIETARIO:** CONSERVAR ESTAS INSTRUCCIONES PARA FUTURAS REFERENCIAS.

**INDICACIÓN PARA EL INSTALADOR:** ESTAS INSTRUCCIONES DEBEN PERMANECER CON EL APARATO UNA VEZ FINALIZADA LA INSTALACIÓN.

#### **ADVERTENCIA**

Si no se sigue con exactitud la información de este manual, se puede producir un incendio o una descarga eléctrica que podrían causar daños materiales o lesiones personales.

No reparar, reemplazar ni retirar ninguna parte del aparato a menos que se recomiende específicamente en los manuales. La instalación, el servicio técnico o el mantenimiento incorrectos pueden causar lesiones o daños materiales.

- ▶ Consultar este manual como guía.
- ▶ Cualquier otra labor de mantenimiento debe de ser efectuada por un proveedor de servicios de mantenimiento autorizado.

Al instalar una placa de cocción sobre un horno individual, es preciso asegurarse de seguir las instrucciones de los manuales de instalación tanto del horno como de la placa de cocción.

- ▶ La lista de documentos del aparato incluye una matriz de combinaciones aprobadas de placa de cocción y horno; para consultar la última versión, es posible contactar con el Servicio técnico. No se debe bajo ningún concepto tratar de instalar la placa de cocción sobre ningún horno que no figure en dicha lista.

NO instalar refrigeradores, lavavajillas, hornos (sin ventilación) o lavadoras debajo de la placa de cocción.

Consultar la matriz de combinaciones aprobadas.

No modificar ni alterar la construcción del aparato.

El aparato solamente deberá usarse si lo ha instalado un técnico calificado, de acuerdo con estas instrucciones de instalación. El fabricante no es responsable de ningún daño causado por una instalación incorrecta.

Para eliminar el riesgo de sufrir quemaduras o que se produzca un incendio al alcanzar las unidades cuya superficie esté caliente, se deberá evitar colocar gabinetes de almacenamiento encima de las unidades de la superficie.

- ▶ Si va a haber gabinetes de almacenamiento, el riesgo puede reducirse colocando una campana que se proyecte horizontalmente como mínimo 5" (127 mm) más allá de la base del gabinete.
- ▶ Verificar que los gabinetes que se encuentren encima de la placa de cocción tengan, como máximo, 13" (330 mm) de profundidad.

#### **AVISO:**

Recomendamos encarecidamente instalar un sistema de ventilación con este aparato.



# INSTRUCCIONES DE SEGURIDAD IMPORTANTES

## LEA Y CONSERVE ESTAS INSTRUCCIONES

### ADVERTENCIA

Retirar toda la cinta y el embalaje antes de usar el aparato.

- ▶ Destruir el embalaje después de desembalar el aparato.
- ▶ Desechar el embalaje de manera respetuosa con el medio ambiente.
- ▶ No dejar nunca que los niños jueguen con el material de embalaje.

## 1.4 Seguridad de manejo del aparato

### ADVERTENCIA



Las superficies ocultas pueden tener bordes afilados.

- ▶ Proceder con cuidado al intentar sujetar el aparato por la parte trasera o desde abajo.

## 1.5 Códigos y normas de seguridad

Este aparato cumple con la última versión de una o varias de las siguientes normas:

- UL 858: estufas eléctricas de uso doméstico
- CAN/CSA-C22.2 N.º 60335-1 - Seguridad de Aparatos Eléctricos de Uso Doméstico y Similares, General (Safety of Household and Similar Electrical Appliances - General)
- CAN/CSA-E60335-2-6 - Norma para la Seguridad de Aparatos Eléctricos de Uso Doméstico y Similares (The Standard for the Safety of Household and similar electrical appliances).

Es responsabilidad del propietario y del instalador determinar si son aplicables otros requisitos y/o normas en instalaciones específicas.

## 1.6 Seguridad eléctrica

- **Instalador:** es preciso mostrar al propietario la ubicación del breaker del circuito o del fusible. Marcarla para recordarla más fácilmente.
- Si el Código Nacional Eléctrico (o el Código Eléctrico Canadiense) así lo exige, este aparato debe instalarse con un circuito derivado dedicado por separado.
- Las normativas locales varían. El instalador es responsable de asegurarse de que la instalación, las conexiones y la toma de tierra cumplan con todas las

normativas aplicables. El fabricante no se hace responsable de los problemas asociados a un montaje incorrecto de este producto.

- El breaker debe estar de acuerdo con el Código Eléctrico Nacional estadounidense (o canadiense).
- Asegurarse de que el aparato esté correctamente instalado y conectado a tierra por un técnico calificado. La instalación, las conexiones eléctricas y la puesta a tierra deben cumplir con todas las normas aplicables.
- Para obtener más información, consultar la placa de características.

→ "Ubicación de la placa de características del aparato", Página 26

### ADVERTENCIA

Antes de realizar la instalación, desconectar la alimentación eléctrica en el panel de servicio.

- ▶ Bloquear el panel de servicio para impedir que se conecte accidentalmente la alimentación eléctrica.

Para poder desconectar el aparato del suministro eléctrico, debe haber un medio de separación de contactos, por ejemplo, un breaker, en todos los polos, de acuerdo con los códigos de cableado locales.

### INSTRUCCIONES PARA LA CONEXIÓN A TIERRA

- ▶ Este aparato debe estar conectado a tierra.
- ▶ La conexión a tierra reduce el riesgo de descargas eléctricas, ya que proporciona una vía de escape de la corriente eléctrica en caso de cortocircuito.
- ▶ Asegurarse de que el aparato esté correctamente instalado y conectado a tierra por un técnico calificado.
- ▶ La instalación, las conexiones eléctricas y la conexión a tierra deben cumplir con todas las normas aplicables.

Antes de conectar o encender la fuente de alimentación eléctrica, asegurarse de que todos los controles se encuentren en la posición OFF (Apagado).



# INSTRUCCIONES DE SEGURIDAD IMPORTANTES

## LEA Y CONSERVE ESTAS INSTRUCCIONES

---

### 1.7 Advertencias en virtud de la Proposición 65 del estado de California

Este producto puede contener un químico que el Estado de California reconoce como potencialmente cancerígeno o causante de daños reproductivos. Por tanto, su producto debe llevar en su embalaje la siguiente etiqueta de conformidad con la legislación de California:

**ADVERTENCIA EN VIRTUD DE LA PROPOSICIÓN 65 DEL ESTADO DE CALIFORNIA:**

**⚠ ADVERTENCIA**

Cáncer y daño reproductivo - [www.P65Warnings.ca.gov](http://www.P65Warnings.ca.gov)

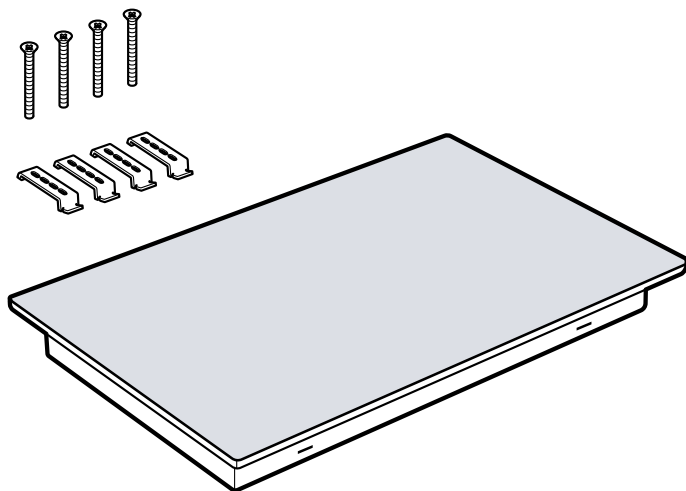


## 2 Antes de empezar

Leer estas instrucciones antes de comenzar la instalación del aparato.

### 2.1 Partes incluidas

Después de desembalar el aparato, verifique que todas las piezas no presenten daños ocasionados durante el transporte, así como que el volumen de suministro esté completo.



### 2.2 Herramientas y partes necesarias

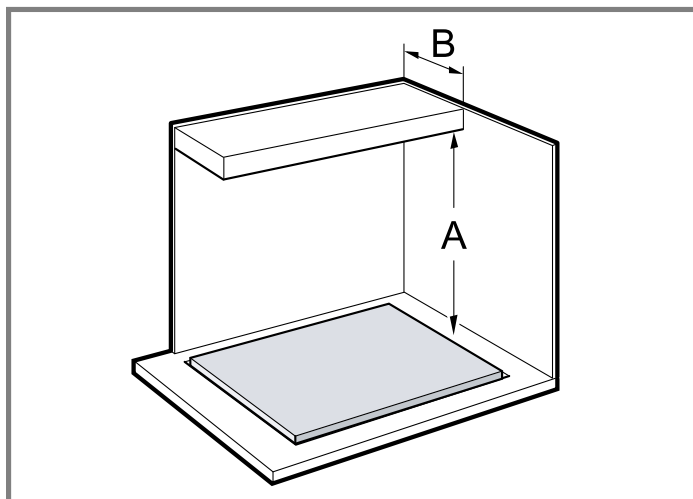
Preparar los siguientes accesorios y herramientas antes de comenzar la instalación del aparato.

- Lápiz
- Cinta métrica
- Desarmador Phillips
- Taladro con broca de 1/4" (6 mm)
- Sierra caladora

**Nota:** En superficies de trabajo sólidas, pueden ser necesarios materiales adicionales para la instalación. Contactar con el fabricante de la superficie de trabajo.

### 2.3 Requisitos del gabinete

Asegurarse de que el gabinete en el que se va a hacer la instalación cumpla los requisitos para una instalación segura.



- La distancia desde la parte superior de la placa de cocción hasta la parte inferior de los gabinetes que se encuentran arriba debe ser, como mínimo, de  $A = 30$  pulgadas (762 mm).
- Puede reducirse esta distancia a  $A = 24$  pulgadas (610 mm) si la parte inferior del gabinete de madera o de metal está protegida con cartón a prueba de fuego de, como mínimo, 1/4 pulgadas (6.35 mm) cubierto con una placa metálica calibre 28 o mayor, acero inoxidable de 0.015 pulgadas (0.4 mm), aluminio de 0.024 pulgadas (0.6 mm) o cobre de 0.020 pulgadas (0.5 mm).
- Verifique que los gabinetes sin protección que se encuentran por encima de la placa de cocción tengan, como máximo,  $B = 13$  pulgadas (330 mm) de profundidad.

### Instalación de una placa de cocción encima de hornos y microondas

Solo ciertos modelos pueden ser instalados encima de un horno o un microondas. Verificar la guía sobre combinaciones aprobadas suministrada con estas instrucciones para ver las combinaciones de instalación aprobadas. Ambos productos tendrán una etiqueta que hace referencia a la guía sobre combinaciones aprobadas.

### Instalación de una campana extractora o una campana de microondas por encima de la placa de cocción

Deben seguirse las instrucciones de instalación de la campana extractora o de la campana de microondas para ver el espacio libre que se debe dejar por encima de la superficie de la placa de cocción.

### 2.4 Requisitos de la cubierta

Asegurarse de que la cubierta en la que se va a instalar la placa de cocción cumple los requisitos para una instalación segura.

#### **⚠ ADVERTENCIA**

Para reducir el riesgo de ignición de materiales inflamables cercanos, es preciso instalar el aparato a 3" (76 mm), como mínimo, de ambas paredes laterales, y por lo menos a 2" (51 mm) del panel trasero.

- La cubierta debe ser horizontal y estar nivelada.
- La estabilidad de la cubierta debe estar garantizada incluso después de haber cortado el hueco.
- Por norma general, las superficies de trabajo sólidas requieren instalaciones especiales. Por ejemplo, puede ser necesario utilizar cinta reflectora del calor y esquinas redondeadas.
- Contactar con el fabricante de su cubierta para recibir instrucciones específicas.

## 3 Preparar el lugar de instalación

Realizar el recorte en la superficie de trabajo de acuerdo con las instrucciones.

Requisitos generales de la superficie de trabajo:

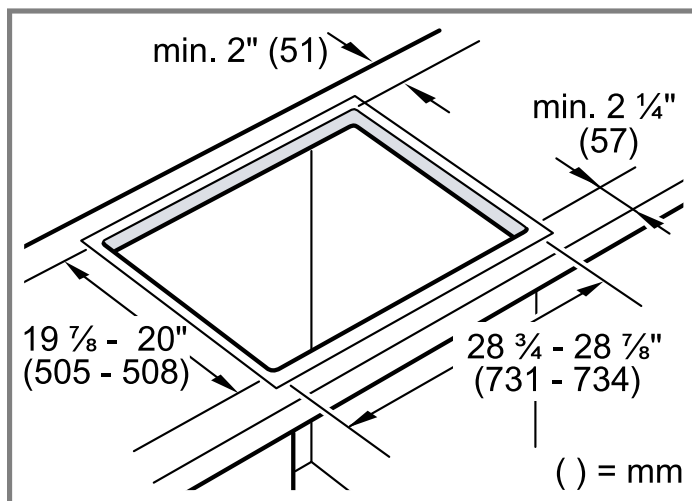
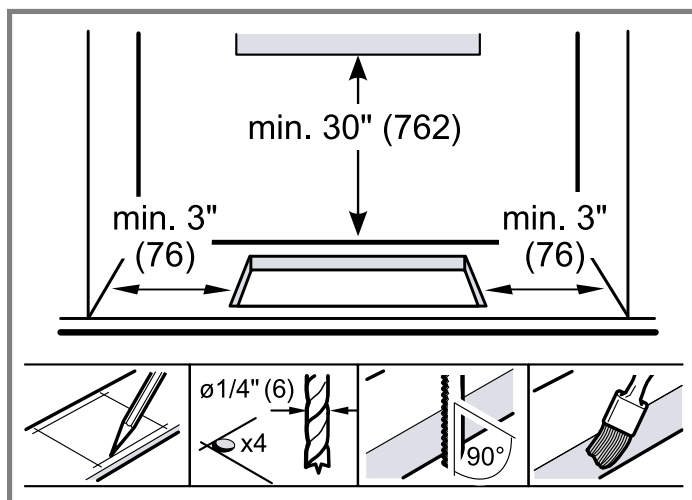
- El ángulo de la superficie cortada con respecto a la superficie de trabajo debe ser de 90 °.
- En las superficies de trabajo de varias capas, fijar regletas laterales en el recorte según sea necesario.

- Eliminar la viruta después de los trabajos de recorte.
- Sellar la superficies cortadas de modo que sean resistentes al calor y al agua.
- Respetar una distancia mínima de  $\frac{3}{8}$ " (10 mm) entre la parte inferior del aparato y las superficies del gabinete.

### 3.1 Dimensiones del hueco para placas de cocción de 30 pulgadas

Respetar estas medidas para los modelos indicados aquí.

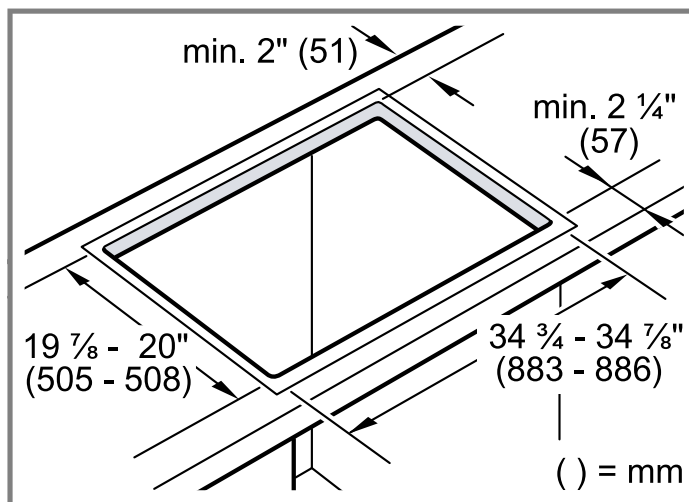
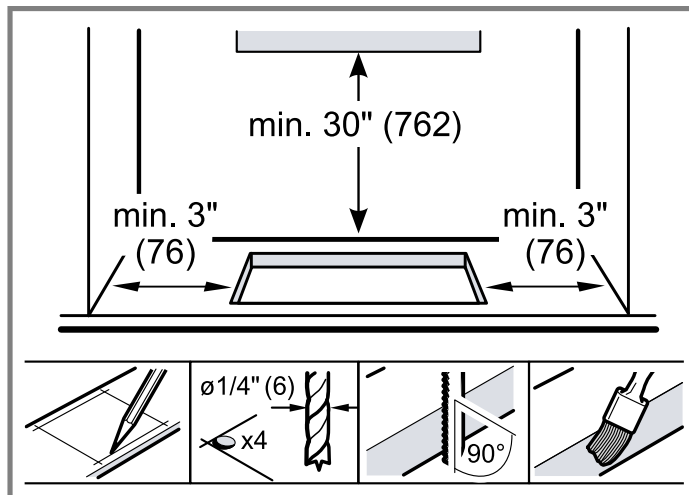
- NET8069SUC
- NET8069UC
- NETP069SUC
- NEM5066UC



### 3.2 Dimensiones del hueco para placas de cocción de 36 pulgadas

Respetar estas medidas para los modelos indicados aquí.

- NET8669SUC
- NET8669UC
- NETP669SUC
- NEM5666UC



## 4 Procedimiento de instalación

Es preciso seguir estas instrucciones para instalar la placa de cocción en la superficie de trabajo.

### ⚠ PRECAUCIÓN

Bordes afilados.

- ▶ Usar guantes de protección al instalar el aparato.

### ⚠ PRECAUCIÓN

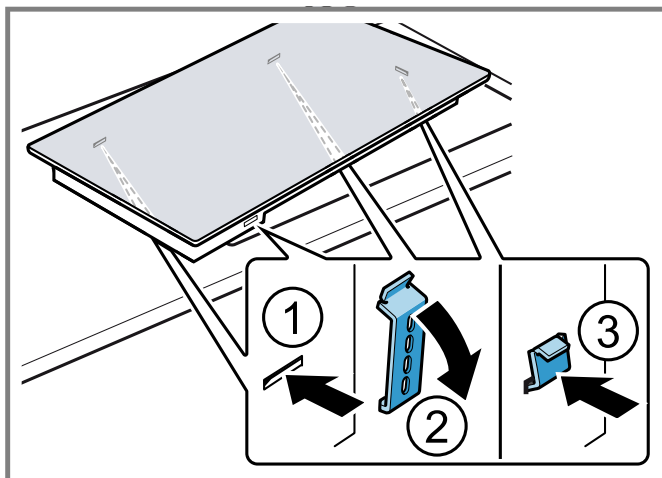
El aparato es muy pesado.

- ▶ Se recomienda que este aparato sea instalado por dos personas.

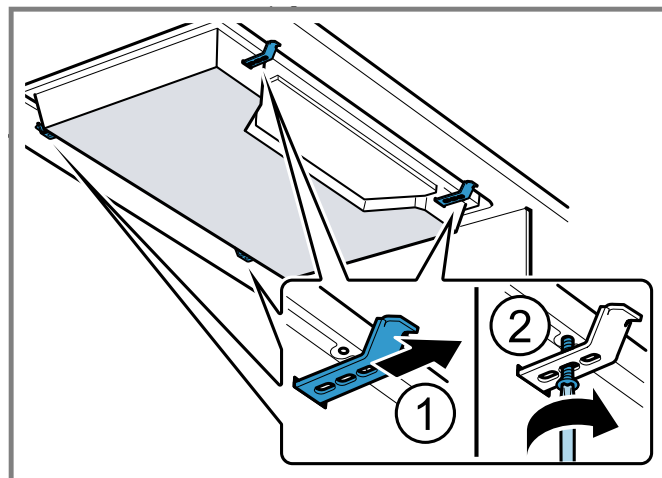
### 4.1 Asegurar la placa de cocción a la cubierta

La placa debe asegurarse a la encimera con las placas de fijación provistas.

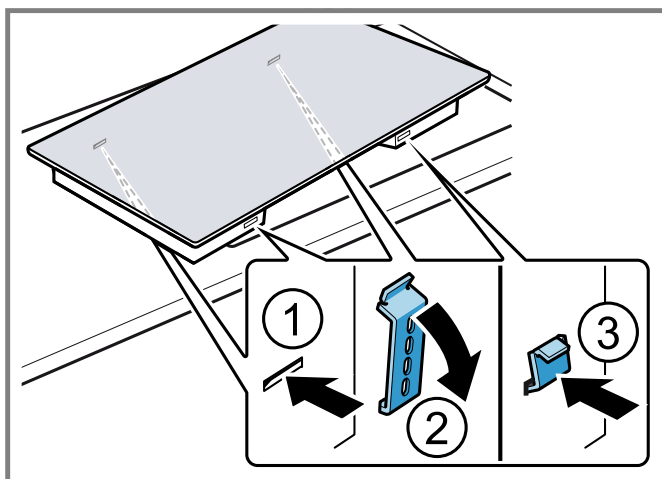
1. Fijar las placas de fijación a las ranuras correspondientes de la parte inferior de la placa de cocción.



Modelos: NET8069SUC y NET8069UC

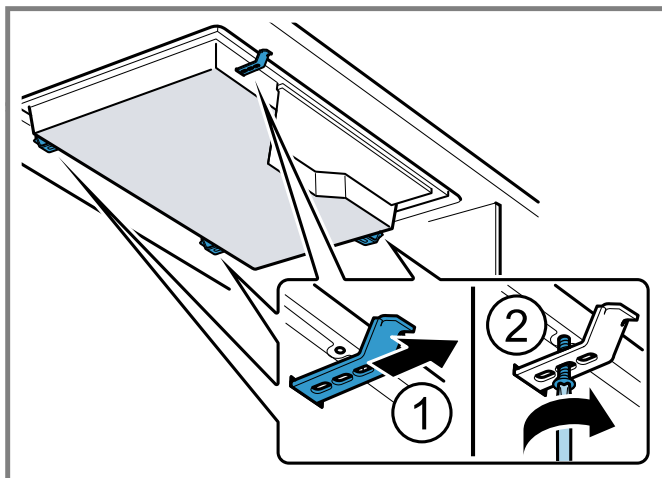


Modelos: NET8669SUC, NET8669UC, NETP669SUC, NETP069SUC, NEM5066UC y NEM5666UC



Modelos: NET8669SUC, NET8669UC, NETP669SUC, NETP069SUC, NEM5066UC y NEM5666UC

2. Colocar la placa de cocción en el recorte de la cubierta.
3. Insertar los tornillos de fijación en la placas de fijación y asegurar la placa de cocción a la cubierta. Proteger las cubiertas delicadas colocando un disco de madera por debajo.



Modelos: NET8069SUC y NET8069UC

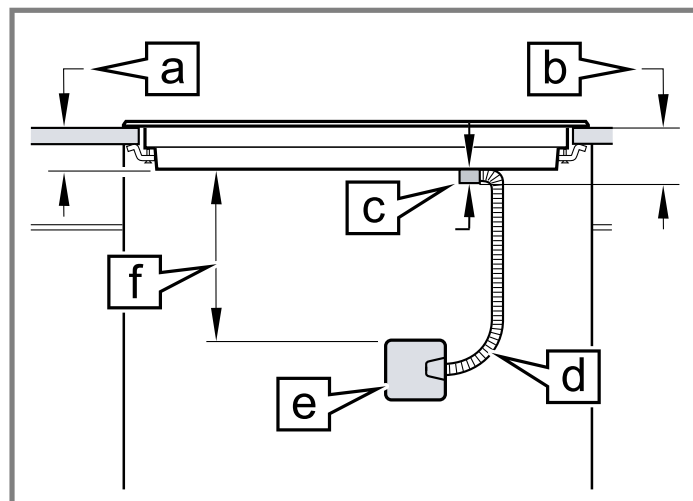
## 5 Conexión eléctrica

Leer las presentes instrucciones para conectar con seguridad el aparato al suministro eléctrico.

### 5.1 Requisitos eléctricos

Asegurarse de que se cumplen los siguientes requisitos generales.

- Puede encontrar la placa de características con las especificaciones eléctricas en la parte inferior del aparato.  
→ "Ubicación de la placa de características del aparato", *Página 26*
- La caja de distribución debe encontrarse a 3 pies (0.91 m) de la conexión con la placa de cocción. Debería ser fácil acceder a ella para operaciones de mantenimiento.



a	100 mm (4")
b	125 mm (5")
c	Conector para conduit/conducto de 25 mm (1")
d	Conducto (conduit) de aprox. 900 mm (3 pies)
e	Caja de conexiones o caja de empalmes
f	aprox. 300 mm (12")

## Suministro eléctrico

Modelo	Sistema de 240 V CA, 60 Hz: breaker (interruptor termo magnético)	Sistema de 208 V CA, 60 Hz: breaker (interruptor termo magnético)
NET8069SUC	40 A	30 A
NET8069UC	40 A	30 A
NET8669SUC	50 A	40 A
NET8669UC	50 A	40 A
NETP069SUC	40 A	40 A
NETP669SUC	40 A	40 A
NEM5066UC	30 A	30 A
NEM5666UC	40 A	40 A

## 5.2 Conectar el suministro eléctrico

### ⚠ ADVERTENCIA

Antes de realizar la instalación, desconectar la alimentación eléctrica en el panel de servicio.

- ▶ Bloquear el panel de servicio para impedir que se conecte accidentalmente la alimentación eléctrica.

Para reducir el riesgo de descarga eléctrica o de incendio, no usar un cable flexible de alimentación eléctrica con este aparato. Conectar únicamente a un suministro eléctrico de 120 V (o 240 V) y 3 cables (3 hilos); no se necesita el conductor neutro para el funcionamiento del aparato. El voltaje de las conexiones eléctricas del suministro no debe exceder los 150 voltios con respecto a tierra.

**Requisito:** El sistema de suministro eléctrico debe ser un sistema monofásico de 3 cables con conexión a tierra.

1. Instalar una caja de empalmes o conexiones adecuada (no está incluida).
  - Debe utilizarse un conector pasacables para conductos conduit de la medida adecuada, certificado por UL, a fin de unir correctamente el conducto a la caja de conexiones.
  - El amperaje de los breakers, el calibre de los cables y las conexiones deben cumplir con los requisitos del Código Nacional Eléctrico o el Código Eléctrico Canadiense y todos los códigos y reglamentos locales.
2. Unir el conducto flexible con la caja de empalmes o conexiones. Las guías y el conducto metálico (conduit) vienen instalados de fábrica.
3. Conectar los cables conductores de la placa de cocción a los cables de alimentación de la caja de conexiones en la fase adecuada.
  - Negro (L1) a negro
  - Rojo (L2) a rojo
  - Cable de cobre verde o en blanco a tierra

## 6 Comprobar la instalación

Una vez completados los pasos de instalación, comprobar si la unidad funciona correctamente.

### ⚠ ADVERTENCIA

Antes de conectar o encender la fuente de alimentación eléctrica, asegurarse de que todos los controles se encuentren en la posición OFF (Apagado).

1. Extraer todo lo se halle en la superficie de la placa de cocción, incluidas las etiquetas adhesivas.
2. Limpiar la superficie de la placa de cocción con limpiador de vitrocerámicas.
3. Activar el breaker del circuito.
4. Verificar que todas las placas independientes funcionen bien.

## 7 Servicio de atención al cliente

Si tiene preguntas relativas al funcionamiento, si no puede subsanar una avería o si el aparato debe ser reparado, diríjase a nuestro servicio de atención al cliente.

En cada reparación cubierta por la garantía, nos aseguramos de que su aparato sea reparado con repuestos originales por un proveedor de servicio capacitado y autorizado. Solo utilizamos repuestos originales para todos los tipos de reparaciones.

Las informaciones detalladas sobre el periodo de validez de la garantía y las condiciones de garantía las podrá encontrar en nuestras condiciones de garantía, con su distribuido o en nuestra página web.

Cuando se ponga en contacto con el servicio de atención al cliente, no olvide indicar el número de modelo (E-Nr.) y el número de fabricación (FD) de su aparato.

USA:

1-800-944-2904

[www.bosch-home.com/us/owner-support/get-support](http://www.bosch-home.com/us/owner-support/get-support)

[www.bosch-home.com/us/shop](http://www.bosch-home.com/us/shop)

CA:

1-800-944-2904

[www.bosch-home.ca/en/service/get-support](http://www.bosch-home.ca/en/service/get-support)

[www.bosch-home.ca/en/service/cleaners-and-accessories](http://www.bosch-home.ca/en/service/cleaners-and-accessories)

### 7.1 Número de modelo (E-Nr.) y número de fabricación (FD)

El número de modelo (E-Nr.) y el número de fabricación (FD) se encuentran en la placa de características del aparato.

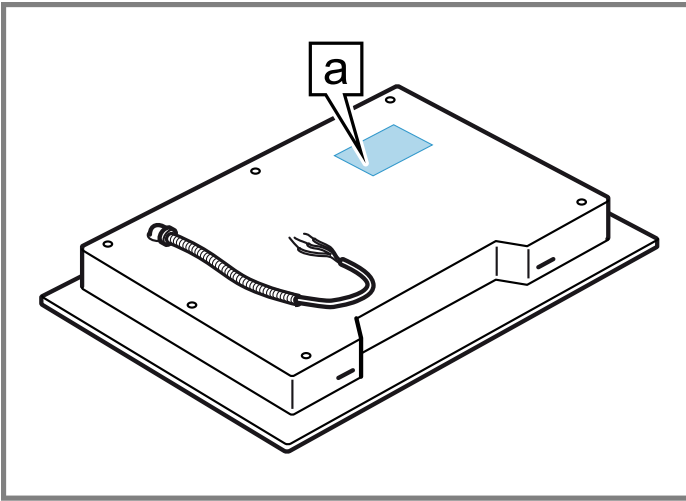
Para volver a encontrar rápidamente los datos del aparato o el número de teléfono del servicio de atención al cliente, puede anotar dichos datos.

### 7.2 Ubicación de la placa de características del aparato

La placa de características del aparato se encuentra:

- En la parte inferior del aparato

- En el pase de aprobación del electrodoméstico



**a** Placa de características



## Thank you for buying a Bosch Home Appliance!

Register your new device on MyBosch now and profit directly from:

- **Expert tips & tricks for your appliance**
- **Warranty extension options**
- **Discounts for accessories & spare-parts**
- **Digital manual and all appliance data at hand**
- **Easy access to Bosch Home Appliances Service**

Free and easy registration – also on mobile phones:  
**[www.bosch-home.com/welcome](http://www.bosch-home.com/welcome)**

**BOSCH**  
HOME APPLIANCES  
**SERVICE**

## Looking for help? You'll find it here.

Expert advice for your Bosch home appliances, help with problems or a repair from Bosch experts.

Find out everything about the many ways Bosch can support you:

**[www.bosch-home.com/service](http://www.bosch-home.com/service)**

Contact data of all countries are listed in the attached service directory.

### **BSH Home Appliances Corporation**

1901 Main Street, Suite 600

Irvine, CA 92614

USA

[www.bosch-home.com](http://www.bosch-home.com)

1-800-944-2904

© 2021 BSH Home Appliances Corporation



**9001551444** (011123)

en-us, fr-ca, es-mx