

NE63D6511SR

SAMSUNG

Smart Freestanding Electric Range 6.3 cu. ft.
with Air Fry and Convection



Available Color



Stainless Steel
NE63D6511SR

Features

- Air Fry
- Convection
- Fingerprint Resistant
- LED Display
- Self & Steam Clean
- Storage Drawer

Convenience

- Wi-Fi Connectivity
- Voice-Enabled
- Convection Auto Conversion
- Self & Steam Clean
- Hidden Bake Element
- Child Safety Lock
- Delay Start
- Auto Oven Light
- Kitchen Timer
- Sabbath Mode

Specifications

Electric Ceramic Cooktop

- Right Front: 9"/12" 3,000W
- Left Front: 6"/9" 3,300W Rapid Boil
- Right Rear: 6" 1,200W
- Left Rear: 6" 1,200W
- Center: 6" Warming Zone (100W)

Oven

- Capacity: 6.3 cu. ft.
- Convection Bake
- Convection Roast
- Bake
- Variable Broil: Low/High
- Air Fry
- Keep Warm
- Bread Proof
- Dehydrate

Dimensions

Oven Interior Dimensions (WxHxD)

Dimensions: 24¹³/₁₆" x 22⁷/₁₆" x 19³/₄"

Product Dimensions (WxHxD)

Dimensions: 29¹⁵/₁₆" x 46⁵/₁₆" – 47¹/₁₆" (Adj.) x 28¹¹/₁₆"
Weight: 148.4 lbs

Shipping Dimensions & Weight (WxHxD)

Dimensions: 33¹/₁₆" x 50⁹/₁₆" x 30⁵/₁₆"
Weight: 172.0 lbs

Warranty

One (1) Year Parts and Labor

UPC

Finish	Model #	UPC Code
Stainless Steel	NE63D6511SR	887276906706

Rating



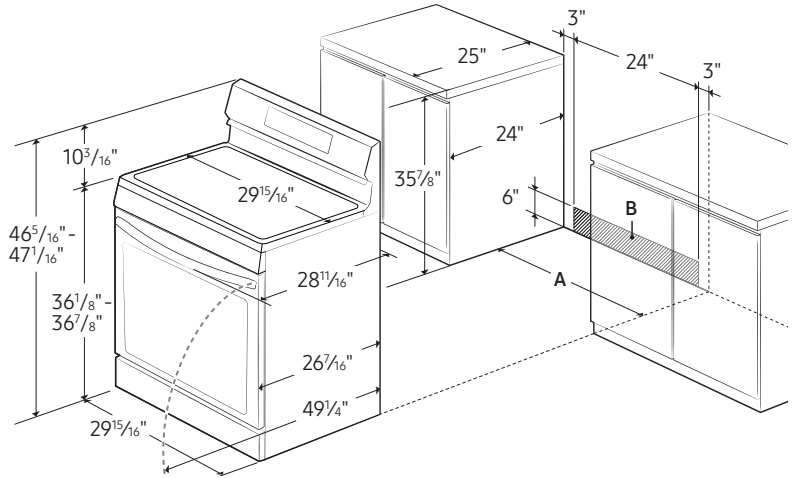
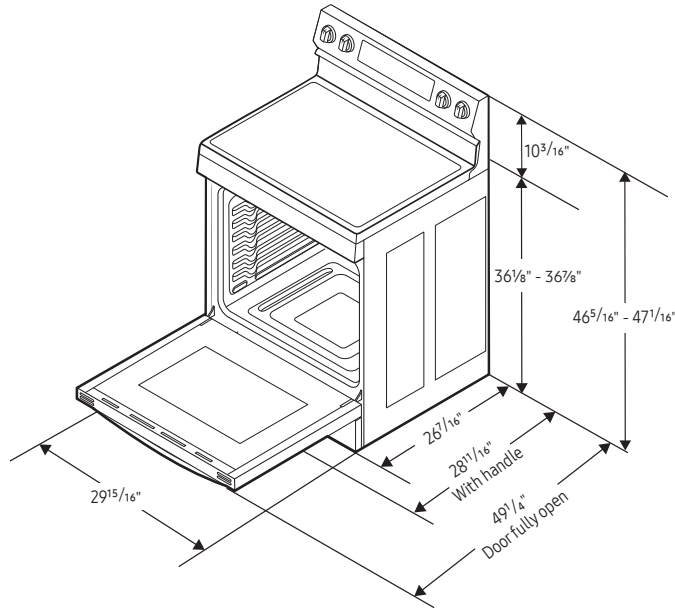
ENERGY STAR® Rated:
195 kWh/yr

NE63D6511SR

SAMSUNG

Smart Freestanding Electric Range 6.3 cu. ft.
with Air Fry and Convection

Installation Specifications



A: Cabinet opening min 30"

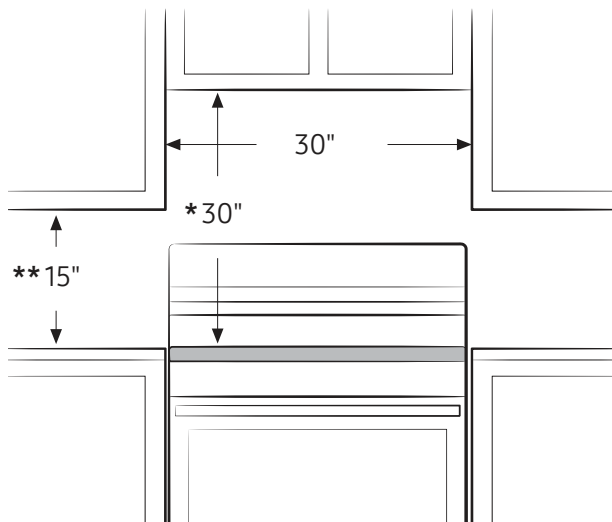
B: Acceptable electrical outlet area

IMPORTANT: If your cabinets are over 36³/₄" high, you must install this range on a hard, heat resistant support that raises the surface of the range so that it is about even with the countertop.

Electrical Requirements

240V/208V/60 Hz

40 Amps



* 30" minimum clearance between the top of the cooking surface and the bottom of an unprotected wood or metal cabinet; or 24" minimum when the bottom of the wood or metal cabinet is protected by not less than 1/4" of flame retardant millboard covered with not less than no.28 MSG sheet steel, 0.015" stainless steel, 0.024" aluminum, or 0.020" copper.

**15" minimum between the countertop and the adjacent cabinet bottom.

IMPORTANT: Consult with Installation Manual for detailed instructions before installing. All ranges must be installed with the Anti-Tip device that is included.