



## 2.1 cu. ft. Smart Over-the-Range Microwave Oven with ExtendaVent™

- 2.1 cu. ft. Oven Capacity
- EasyClean® Interior
- SmoothTouch™ Glass Controls
- 1,050 Watts
- Sensor Cooking
- 10 Power Levels
- 6 Auto Cook Options
- Slide-out ExtendaVent™
- 400 CFM Exhaust Fan
- QuietPower™ Ventilation System
- Wi-Fi Connect (works with ThinQ® Technology)
- Scan-to-Cook
- LG Smart Range Connectivity



### COLOR AVAILABILITY

- MVEL2125F – PrintProof™ Stainless Steel
- MVEL2125D – PrintProof™ Black Stainless Steel

### COOKING FEATURES

Oven Capacity	2.1 cu. ft.
Microwave Power Output	1,050 W
Convection Power Output	N/A
EasyClean® Interior	Yes
Sensor Cook Options	12
Power Levels	10
Defrost	Auto / Time / Rapid Defrost
Sensor Reheat	Yes
Auto Cook Options	6 (Defrost, Soften & Melt, Simmer, Steam Cook, Kids Meal)
Air Fry	No
Custom Settings	Yes

### CONVENIENCE FEATURES

Control Type	SmoothTouch™ Glass
Turntable Diameter	14.2"
Clock	Yes
Kitchen Timer	Yes
Completion Beeper	Yes
Turntable On / Off	Yes
Add 30 Seconds	Yes
Energy Savings Key (Turns Off LED Display)	Yes
Exterior Lighting	LED
Interior Lighting	LED
Child Lock	Yes

### VENTING SYSTEM

ExtendaVent™ (Slide-Out)	Yes
Filtration	Charcoal Filter
Exhaust Grease Filters	2

Power Levels	4
Vent Grille Type	Hidden
Vent Air Flow	400 CFM
Venting Options	Roof, Wall, Room

### SMART FEATURES

Wi-Fi Enabled	Yes
Wi-Fi Connect (works with ThinQ® Technology)	Yes
Scan-to-Cook	Yes
Smart LG Range Connectivity	Yes
Voice Control	Amazon Alexa, Google Assistant
SmartDiagnosis™	Yes

### APPEARANCE / MATERIALS / FINISHES

WideView™ Window	Yes
Interior Color	Gray
Clock Display Color	White

### TECHNICAL SPECS

Required Power Supply	120V, 60 Hz
Minimum Circuit Rating	15 Amp
Plug Type	3-Prong

### INCLUDED ACCESSORIES

Glass Turntable

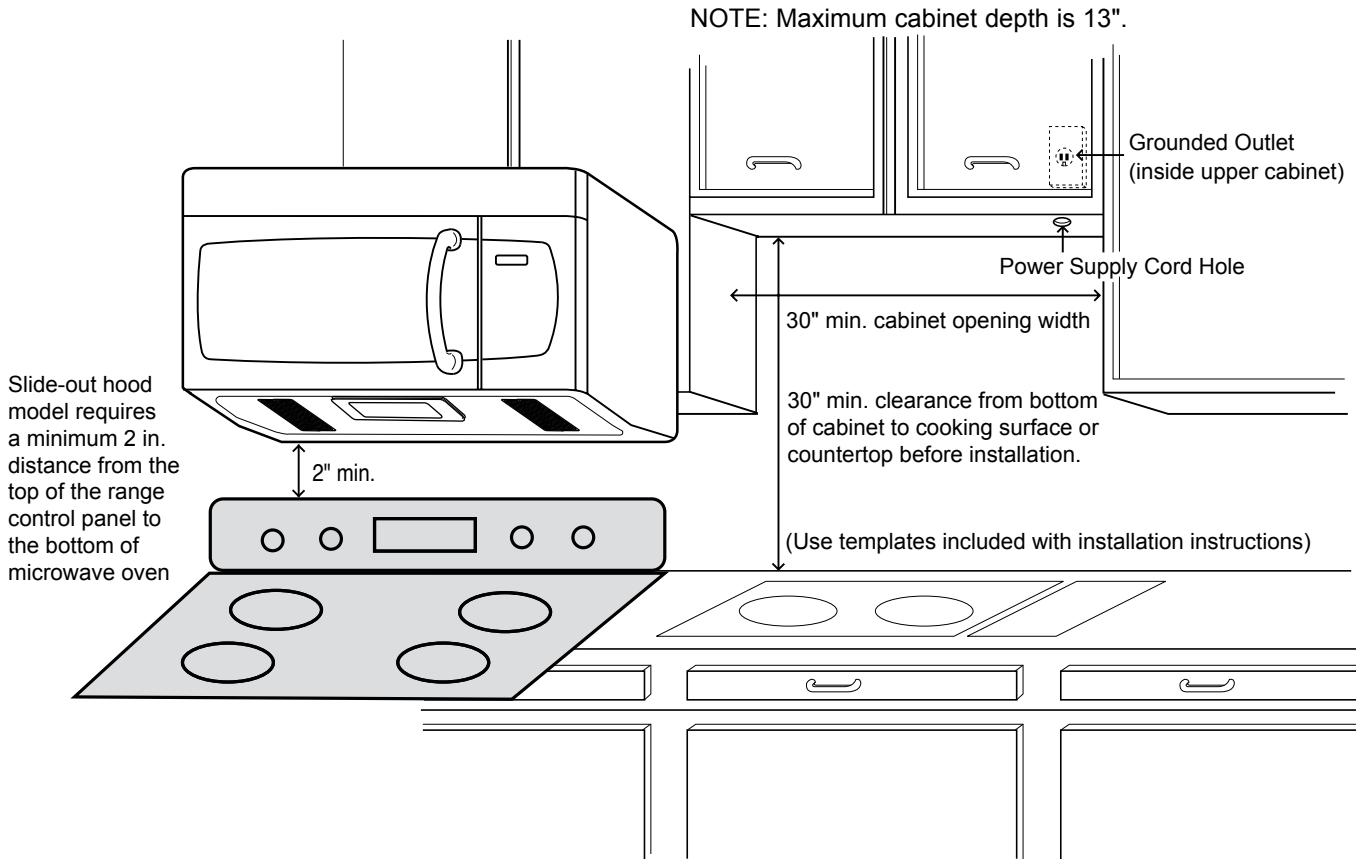
### DIMENSIONS / CLEARANCES / WEIGHT

Product Dimensions (W x H x D)	29 7/8" x 17 15/16" x 15 7/8"
Oven Interior Dimensions (W x H x D)	21 15/16" x 11 1/4" x 14 9/16"
Cut-out Dimensions (W x D)	30" x 13"
Minimum Distance from Cooking Surface	30"
Carton Dimensions (W x H x D)	33 9/16" x 21" x 20 1/2"
Approx. Weight (Product / Carton)	61.5 lbs. / 76.1 lbs.

### LIMITED WARRANTY

Parts and Labor	1 Years
Magnetron	10 Years

## DIMENSIONS / CLEARANCES



### • MAKE SURE YOU HAVE ENOUGH SPACE AND SUPPORT.

- Mount the oven against a flat, vertical wall, so it is supported by the wall. The wall should be constructed of minimum 2" x 4" wood studing and 3/8" thick drywall or plaster/lath.
- Attach the two lag screws supporting the oven to a vertical, 2" x 4" wall stud.
- DO NOT mount the microwave oven to an island or peninsula cabinet.
- BE SURE the upper cabinet and rear wall structures can support 150 lbs., plus the weight of any items you place inside the oven or upper cabinet.
- Locate the oven away from strong draft areas, such as windows, doors, and strong heating vents.
- BE SURE you have enough space. See drawing above for minimum vertical and horizontal clearance.
- **WARNING:** If you do not mount the oven as instructed, you risk personal injury and/or property damage