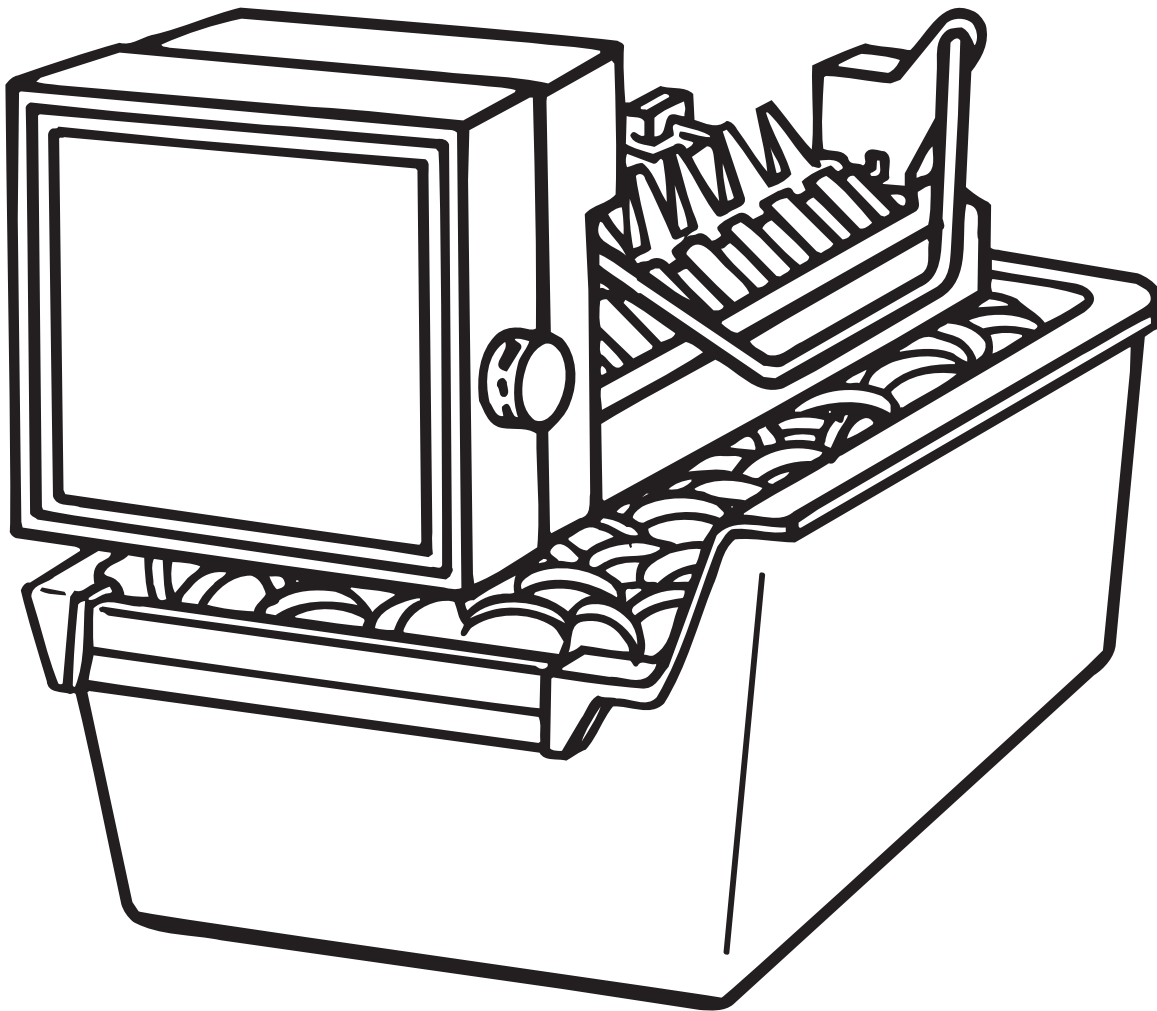


Whirlpool®

Installation

G U I D E



MODULAR ICE MAKER KIT

Table of Contents

REQUESTING ASSISTANCE OR SERVICE	2	CONNECTING THE WATER SUPPLY	17
IMPORTANT INFORMATION	3	FINAL INSTALLATION	19
BEFORE YOU BEGIN	4	Installing the access cover and forming	
Tools	4	the copper tubing.....	19
Installation notes	4	Connecting the power/leveling the unit	20
Components.....	5	STARTING THE ICE MAKER	21
INSTALLING THE ICE MAKER	6	TROUBLESHOOTING	22
Making preparations	6	Operational notes.....	22
Side-by-side models.....	7	Troubleshooting chart	22
Top/bottom freezer models.....	9	The modular ice maker service sheet.....	23
Top/bottom freezer models (continued).....	10	Ice maker replacement parts list.....	24
Installing the tubing clips	11	Ice maker replacement parts list (cont'd)	25
Preparing the water valve tubing			
(for bottom freezers only)	12		
Mounting the water valve.....	13		
Connecting the water valve tubing	14		
Mounting the ice maker	15		

Requesting Assistance or Service

If you need assistance, contact your dealer, or call the Whirlpool Consumer Assistance Center toll-free, 18006932538, 24 hours a day.

Important Information

The following information is used throughout this Installation Guide. Read it carefully so you are familiar with it.

Your safety and the safety of others are very important.

We have provided many important safety messages in this manual and on your appliance. Always read and obey all safety messages.



This is the safety alert symbol.

This symbol alerts you to potential hazards that can kill or hurt you and others.

All safety messages will follow the safety alert symbol and either the word "DANGER" or "WARNING."

These words mean:

⚠ DANGER

You can be killed or seriously injured if you don't immediately follow instructions.

⚠ WARNING

You can be killed or seriously injured if you don't follow instructions.

All safety messages will tell you what the potential hazard is, tell you how to reduce the chance of injury, and tell you what can happen if the instructions are not followed.

- This Installation Guide gives you complete instructions on how to install the Ice Maker Kit in your refrigerator-freezer and connect a water line to it. Please read the guide carefully and follow the instructions exactly as described. Also, make sure that you observe all of the "safety" instructions.
- This kit is designed so that almost anyone can install it; however, a certain amount of mechanical ability is required.
- Before you start to install your Ice Maker Kit, you will have to purchase a copper tubing kit that contains a "Regular Valve and Clamp Assembly" (for refrigerators with an automatic ice maker, or self-filling trays). The kit contains all of the hardware necessary to connect your ice maker to the water supply. You can purchase one at most hardware or plumbing supply stores.
- **DO NOT USE PIERCING-TYPE, OR 3/16" SHUT-OFF VALVES.** They reduce the flow of water to the ice maker, and are easily clogged.
- **DO NOT USE POLYETHYLENE TUBING** to connect the ice maker to the water line. Use only 1/4" (O.D.) copper tubing.

**CUSTOMER INSTALLATION IS NOT
WARRANTED BY THE REFRIGERATOR
OR ICE MAKER MANUFACTURER.**

Before You Begin

Tools

Gather required tools and parts before starting installation. Read and follow the instructions provided with any tools listed here.

1. Regular screwdriver
2. Phillips screwdriver
3. 7/16" and 1/2" open-end wrenches (or an adjustable wrench)
4. Pliers
5. 1/4" nut driver
6. Hand drill with 1/4" drill bit
7. Small hand level (optional)
8. Small 3/4-round file
9. Tubing cutter
10. Center punch
11. Hammer
12. Scissors
13. Ruler
14. Step stool (optional)

Installation notes

1. Follow the instructions carefully. Read through the entire step so that you understand it before you perform it.
2. The illustrations in this Installation Guide are meant to clarify the installation steps you need to perform. For each set of steps shown, refer to the diagram immediately beside or below the text for clarification. Some illustrations also contain "DETAILS." DETAILS are contained in bubbles alongside the larger illustration. A DETAIL shows a close-up illustration of a certain portion of a diagram or an illustration of a specific step you are to perform. DETAILS are labeled A, B, or C and are clearly referenced in each step.
3. When you are instructed to install a part, position the part as shown in the illustration.

Components

Remove the contents from the shipping carton and set them on a table where they can be easily identified and located. Check all of the components in the kit against the following list to help you become familiar with them. When you identify a component, place a check mark

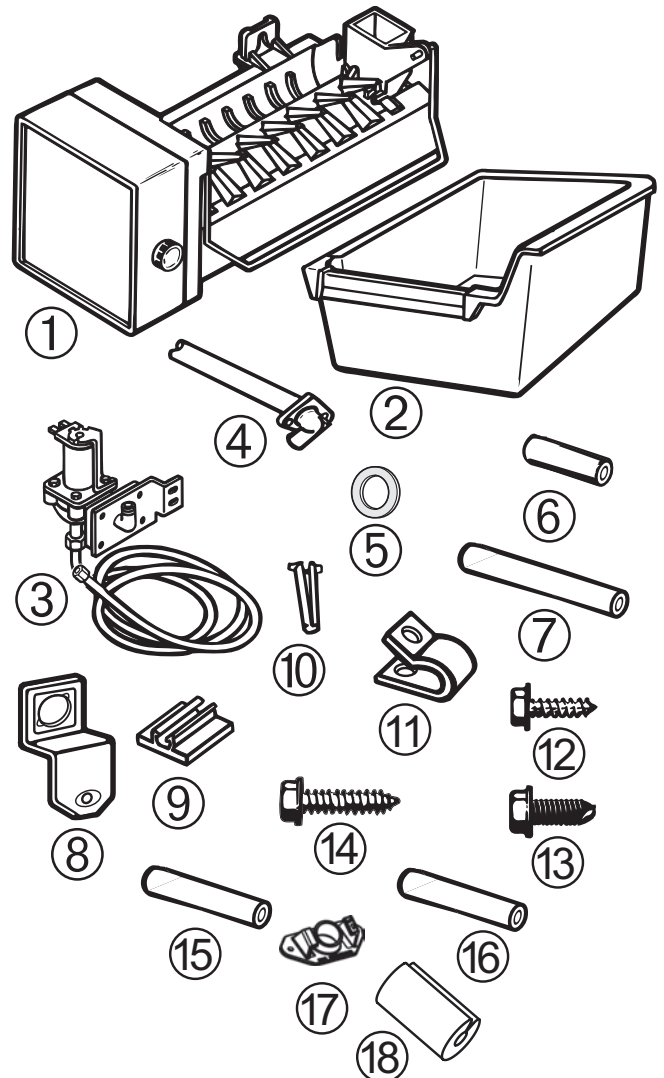
(3) after it. The KEY numbers correspond to the "Component Illustrations."

IMPORTANT: When you remove the water valve and flexible tubing from the styrofoam packing insert, do not remove the tubing from the valve. It has been factory-installed and leak-tested. Do not disturb the compression nut that connects the tubing to the valve, or the valve may leak after you connect it to the water supply.

Do not discard any of the packing material until you account for all of the components. If you need to order a replacement part for the Ice Maker, a replacement parts list is provided on page 24.

KEY	QTY.	DESCRIPTION
1	1	Ice maker
2	1	Ice bucket
3	1	Water valve w/tubing
4	1	Fill tube
5	1	Gasket * (and) ** only
6	1	2½" (short) extension tube
7	1	6" (long) extension tube*
8	2	Ice maker clips*
9	2	Tubing clips
10	1	Metal water tube insert
11	1	Water valve tubing clamp
12	4	1/2" hex-head sheet-metal screws
13	2	1/2" hex-head machine screws
14	2	3/4" hex-head sheet-metal screws
15	1	4" extension tube**
16	1	3¾" extension tube***
17	1	Bracket fill tube***
18	1	Grommet Condenser**

COMPONENT ILLUSTRATIONS



* For installation in Side-By-Side Models only.

** For installation in 14 to 18 Cubic Foot Top Freezer Models.

*** For installation in 11 Cubic Foot Top Freezer Models only (kit 24ECKMF).


Installing the Ice Maker

Making preparations

Refer to the illustration below for the following steps.

1. Gently pull the refrigerator away from the wall so that you can easily access the rear panel.

⚠ WARNING



Electrical Shock Hazard
Disconnect power before installing ice maker.
Failure to do so can result in death or electrical shock.

2. Unplug Refrigerator or disconnect power.
IMPORTANT: If you have a side-by-side model refrigerator-freezer, be sure when you open the freezer door to work inside that you do not force the door against the stop at the bottom of the door. If you bend the stop, the door will not close properly.
3. On appliances with a top or a bottom freezer, open the freezer door and remove all of the food items from inside the freezer compartment.

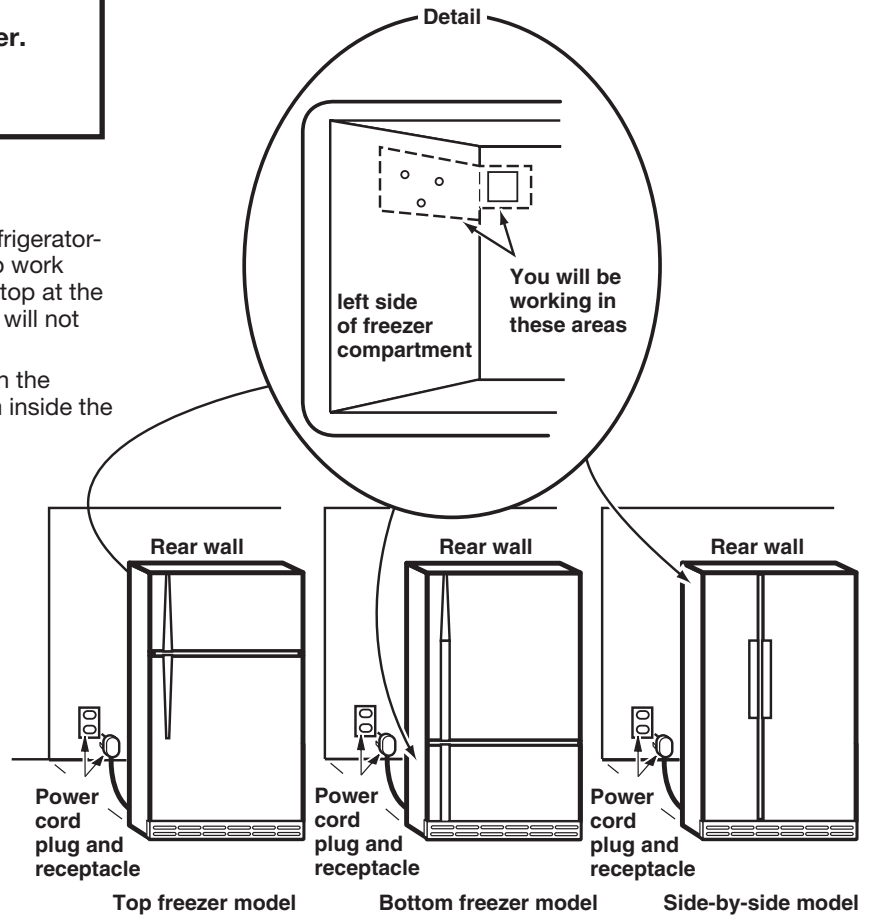
For side-by-side units, you should only have to remove food items from the top half of the freezer section. This should give you enough room to access the areas to install the ice maker.

4. On an appliance with a bottom freezer, remove the slide-out basket, the ice cube trays, and the wire ice cube holder (if necessary, refer to your "Use and Care Guide" for the procedure). Set these items aside.

On top-mount models without a full-width freezer shelf, remove the ice tray shelf. Place the shelf aside, as you will use it later to support the ice bucket.

If you have a side-by-side model refrigerator, proceed to "Side-by-side models" on page 7. If you have a refrigerator with a top or a bottom freezer, proceed to "Top/bottom freezer models" on page 9.

NOTE: The work area for all three model refrigerator-freezers is shown in DETAIL A below.

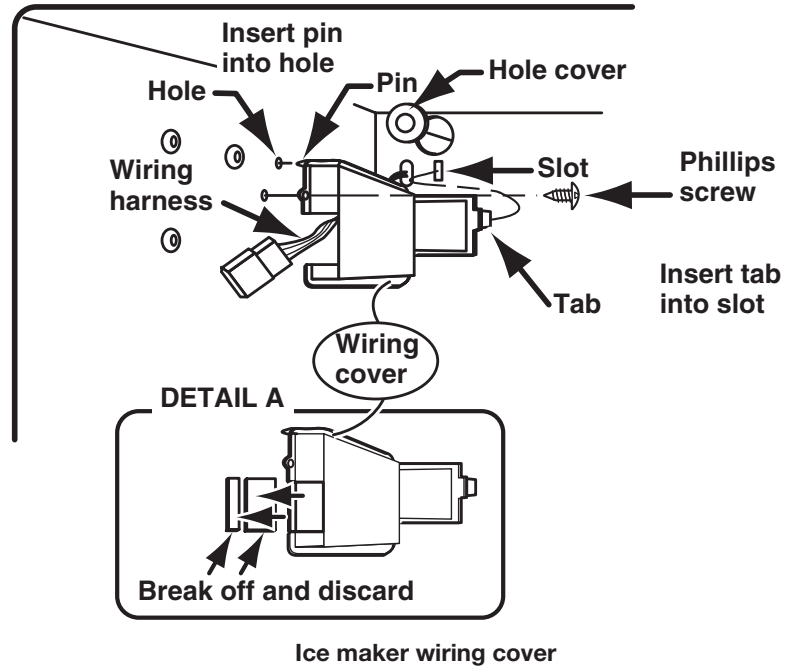


Work areas on the three model refrigerator-freezers

Side-by-side models

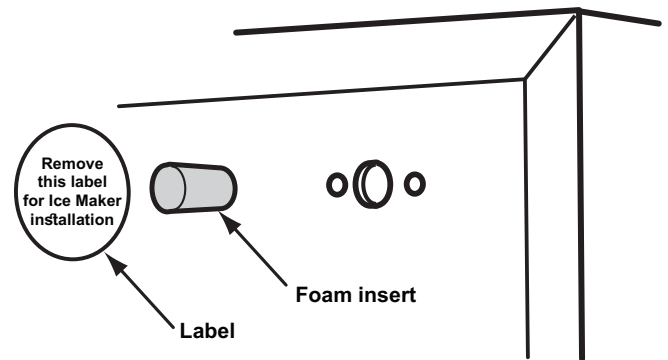
Refer to the side diagram for the following steps. You will be working inside the freezer compartment.

1. Remove the phillips screw from the ice maker wiring cover and remove the cover.
2. Refer to DETAIL A, and with a pair of pliers, break away the tabs from the wiring cover and discard them.
3. Insert the blade of a small screwdriver under the edge of the round hole plug for the fill tube, (located at the back of the freezer liner), and pry it out. You can discard the plug.



Refer to the side diagram for the following steps. You will be working on the outside at the rear of the cabinet.

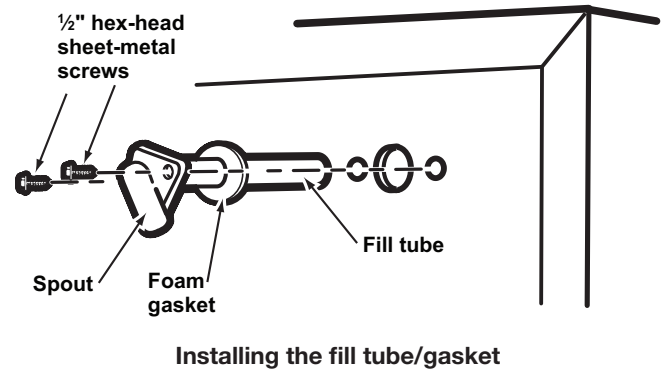
1. In the upper right corner of the cabinet, peel off the label that is over the fill tube hole.
2. Pull the foam insert out of the fill tube hole and discard it.



Removing the label and foam plug

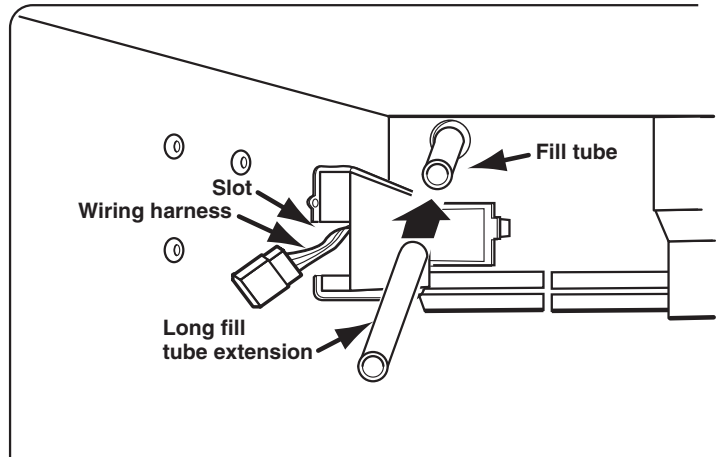
Refer to the side diagram for the following steps.

1. Locate the fill tube and the round foam gasket from the ice maker kit (the gasket may already be installed on the fill tube). If not already done, slide the gasket over the end of the fill tube.
2. Insert the fill tube through the hole in the rear of the refrigerator with the spout facing down, and secure it with two 1/2" hex-head sheet-metal screws.



Refer to the side diagram for the following step. You will be working inside the freezer compartment.

1. Install the plastic extension by sliding it over the fill tube as far as it will go.

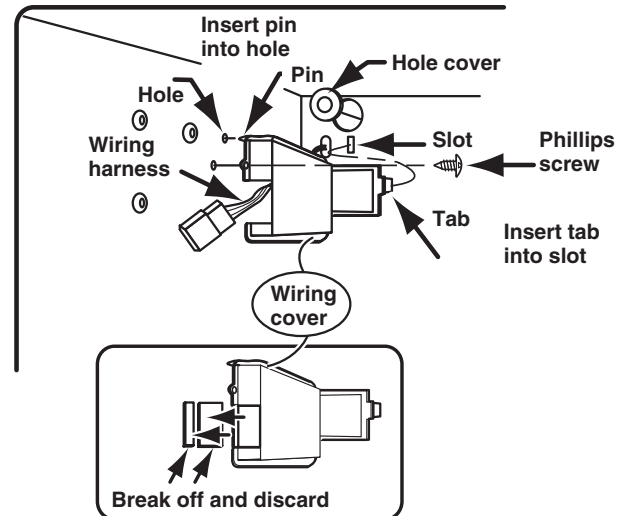


Installing the long fill tube extension

Refer back to the side diagram for the following step.

2. Position the wiring harness so that it is through the slot in the wiring cover. Insert the tab at the back of the wiring cover into the freezer liner slot. Press the pin on the side of the wiring cover into the hole in the side of the freezer liner so it locks into place. Secure the wiring cover with the phillips screw you removed earlier.

Proceed to "Installing the tubing clips" on page 11.



Replacing the ice maker wiring cover

Top/bottom freezer models

Refer to the side diagrams for the following 2 steps. You will be working inside the freezer compartment.

1. On models with a open-top ice maker fill tube and wiring cover:

Remove the screw from the ice maker wiring cover.
Squeeze top and bottom to loosen snaps. Remove and discard ice maker wiring cover.

On models with a flat cover:

Remove the screw from the ice maker wiring cover.
Unhook the right side tab from the edge of the back cover. Remove ice maker wiring cover.
Look at the back side of the flat wiring cover and note the grooved lines. Use a pair of pliers and bend the areas inside the grooved lines back and forth until they break away from the wiring cover.

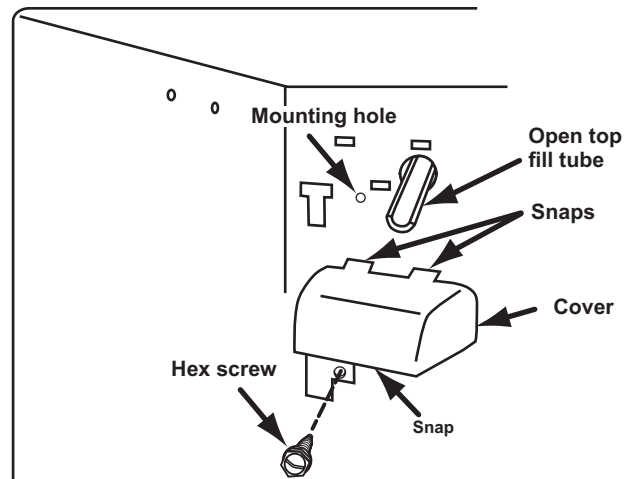
2. Pull the 4-wire ice maker harness out from behind the freezer's back cover as far as possible, and hang it over the edge of the cutout. Do not remove any other wiring from the cutout.

Refer to the side diagrams for the following step. You will be working on the back of the refrigerator cabinet.

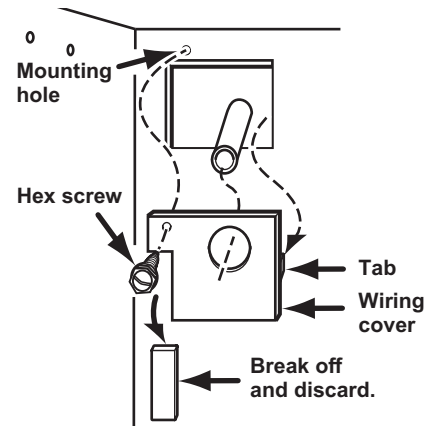
1. On the back of the cabinet, peel off the label that is over the fill tube hole.

On 11 Cubic Foot Top Freezer Models ONLY (kit 24ECKMF)

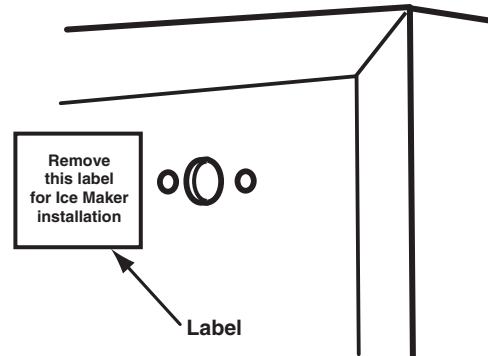
Install "Bracket Fill Tube" in the refrigerator back. Use holes in the back of refrigerator as reference.
Insert the fill tube through the hole in "Bracket Fill Tube" with Spout, twist and lock Spout in place. Verify the Spout is held in place by the "Bracket Fill Tube" ribs.
This type of fix will not require any screws in the Spout at all, screws will be inserted in the "Bracket Fill Tube".



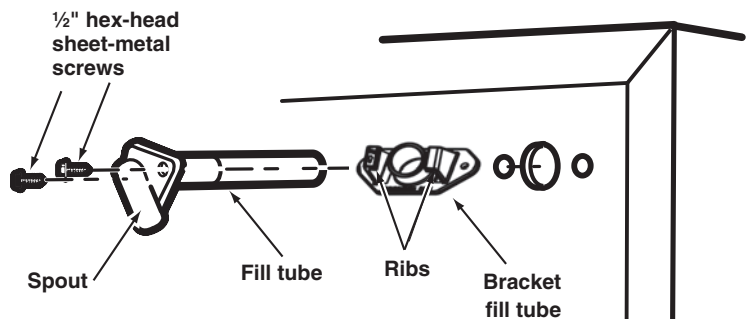
Removing wiring cover with open-top fill tube



Removing the flat wiring cover



Removing the label



Installing the fill tube/bracket fill tube (11 cubic foot models)

Top/bottom freezer models (continued)

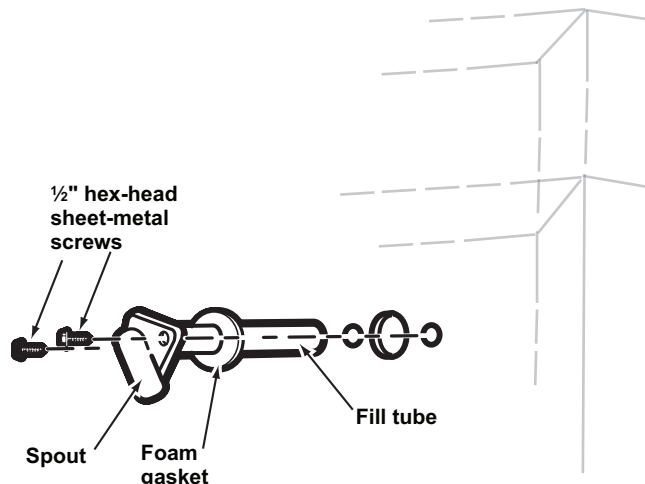
Refer to the side diagrams for the following steps.

1. (continued)

On 14 to 18 Cubic Foot Top Freezer and Bottom Freezer Models

Locate the fill tube and the round foam gasket from the ice maker kit (the gasket may already be installed on the fill tube). If not already done, slide the gasket over the end of the fill tube.

Insert the fill tube through the hole in the rear of the refrigerator with the spout facing down, and secure it with two 1/2" hex-head sheet-metal screws.



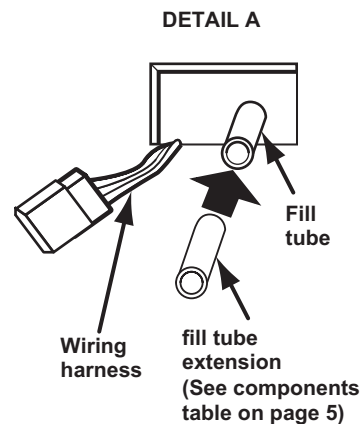
Installing the fill tube/gasket (14 to 18 cubic foot and Bottom Freezer models)

Refer to the side diagrams for the following steps. You will be working inside the freezer compartment.

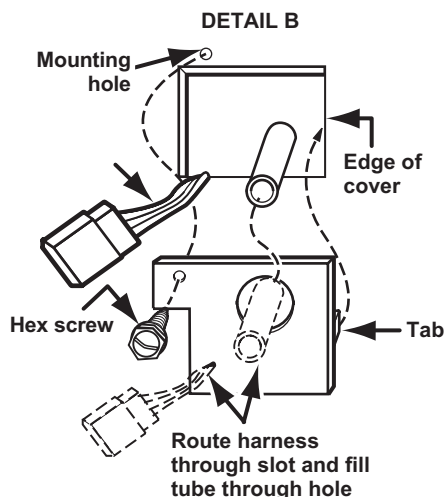
1. Slide the plastic fill tube extension (See components table on page 5) over the end of the fill tube as far as it will go (see DETAIL A).

NOTE: The plastic fill tube extension is not required for models with open-top fill tube.

2. **Flat wiring cover:** Install the wiring cover over the fill tube with the wiring harness through the slot. Hook the tab in the side of the wiring cover into the slot in the back cover of the freezer, and secure the cover with the screw you removed earlier (see DETAIL B).



Installing the fill tube extension



Route harness through slot and fill tube through hole

Installing the tubing clips

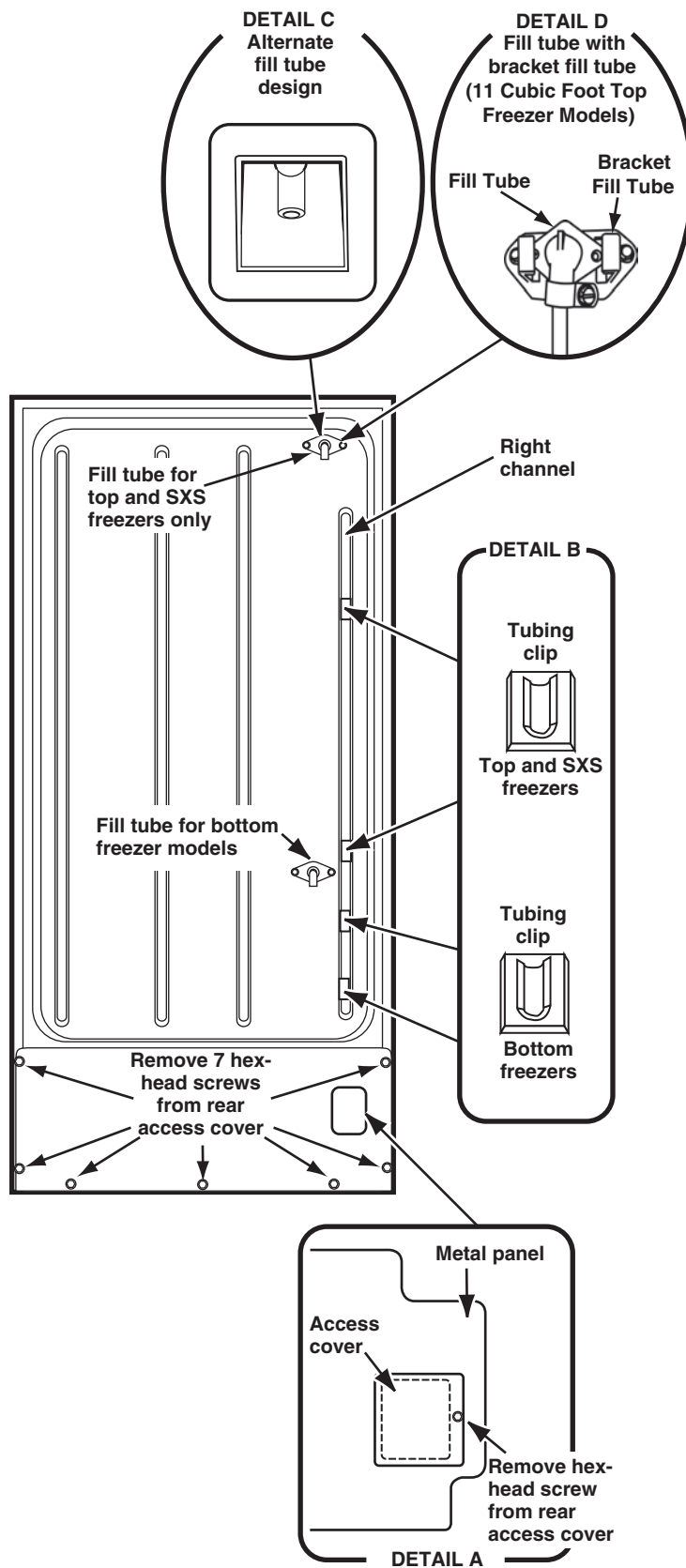
Refer to the side diagram for the following steps.

1. Remove the seven hex-head screws from the rear access cover, then remove the cover and set it aside.

NOTE: If you have a later unit with a metal panel, (see DETAIL A), remove the hex-head screw from the access cover. Discard the cover and its screw. Do not remove the 7 hex-head screws from the larger rear access cover.

2. Peel the backing from the adhesive sides of the tubing clips. Press the clips against the back of the cabinet in the right channel at the approximate locations shown in DETAIL B. Center the clips between the fill tube and the top of the access opening. Alternate fill tube designs are shown in DETAIL C and DETAIL D (for 11 Cubic Foot Top Freezer Models with Fill Tube and Bracket Fill Tube).

If you have a bottom freezer, proceed to page 12. If you have a side-by-side (SXS) or a top freezer unit, proceed to page 13.

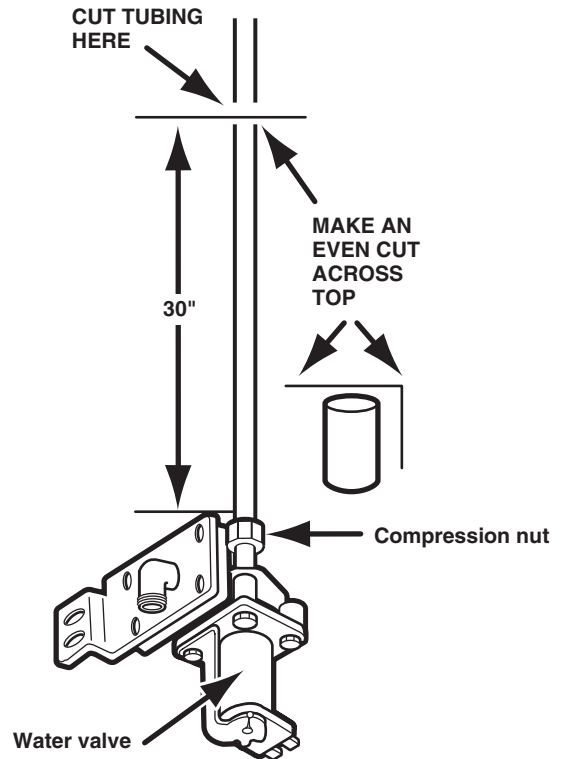


Installing the tubing clips

Preparing the water valve tubing (for bottom freezers only)

Refer to the side diagram for the following steps.

1. Remove the tape from coiled flexible tubing coming from the water valve and straighten it.
2. Starting at the top of the compression nut on the water valve, measure the tubing for 30", and mark the location on the tubing with a pen.
3. Use a pair of scissors or a hobby knife, and make an even cut across the water valve tubing at the 30" mark you made in the previous step. Discard the excess tubing.



Preparing the water valve tubing (for bottom freezers only)

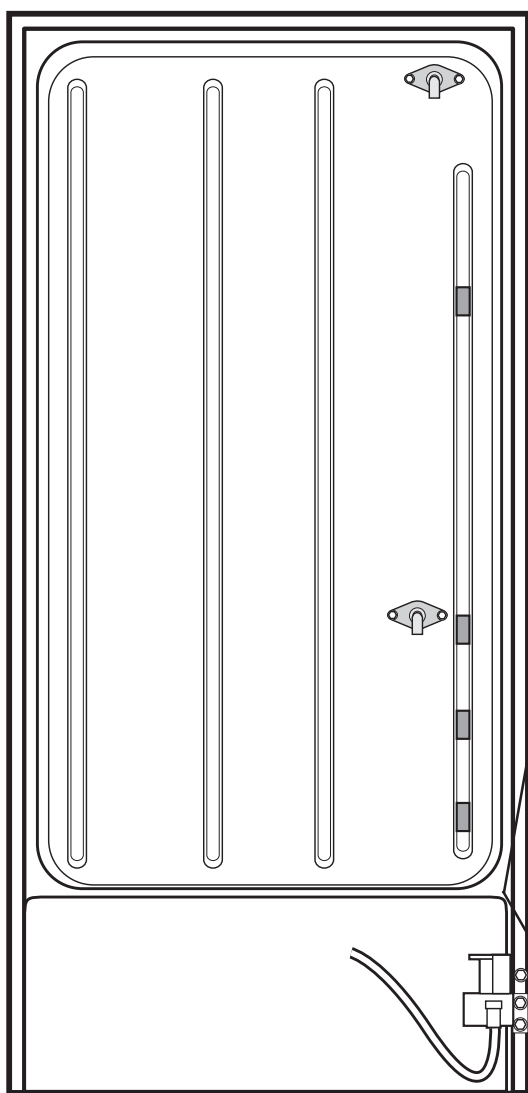
Mounting the water valve

Refer to the diagram below for the following steps.

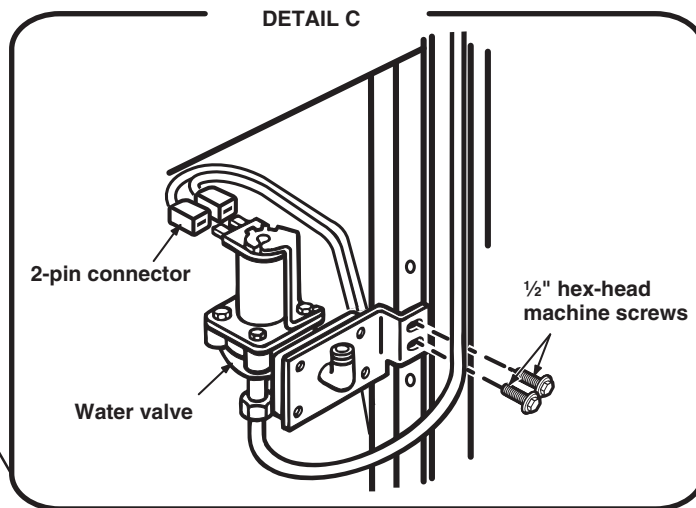
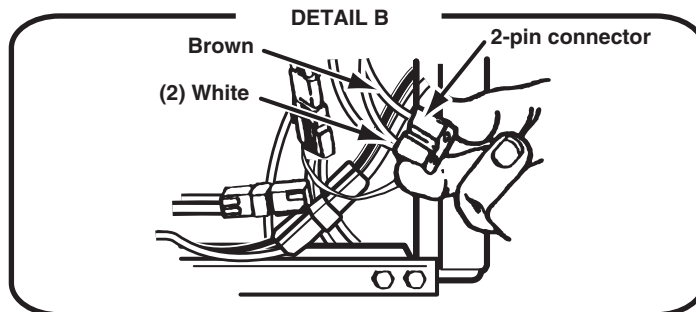
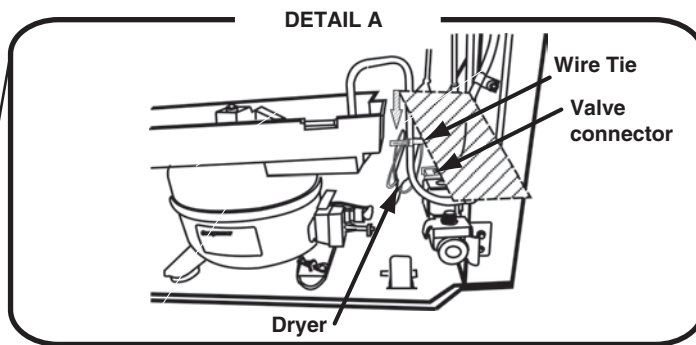
NOTE: For 11 Cubic Foot Top Freezer Models only, use a wire tie to get together capillary tube and dryer. This should be done by installer before installing water valve, to make more room for water valve installation. Installer should move all thin tubing to be in parallel with cabinet (refrigerator side wall). By doing this, we assure that no copper tubing is above valve connector (see DETAIL A).

1. Locate the 2-pin water valve solenoid connector (with the brown and two white wires) that is tape to the main wiring harness at the lower right corner of the rear access (see DETAIL B).

2. Refer to DETAIL C and insert the 2-pin connector over the water valve solenoid terminals as far as possible (if the harness is not long enough, break the tape holding it to the main harness). You can position the connector with the wires at either terminal.
3. Refer to DETAIL C and mount the water valve to the mounting holes in the cabinet frame with two 1/2" hex-head machine screws. Make sure that you tighten these two screws securely.



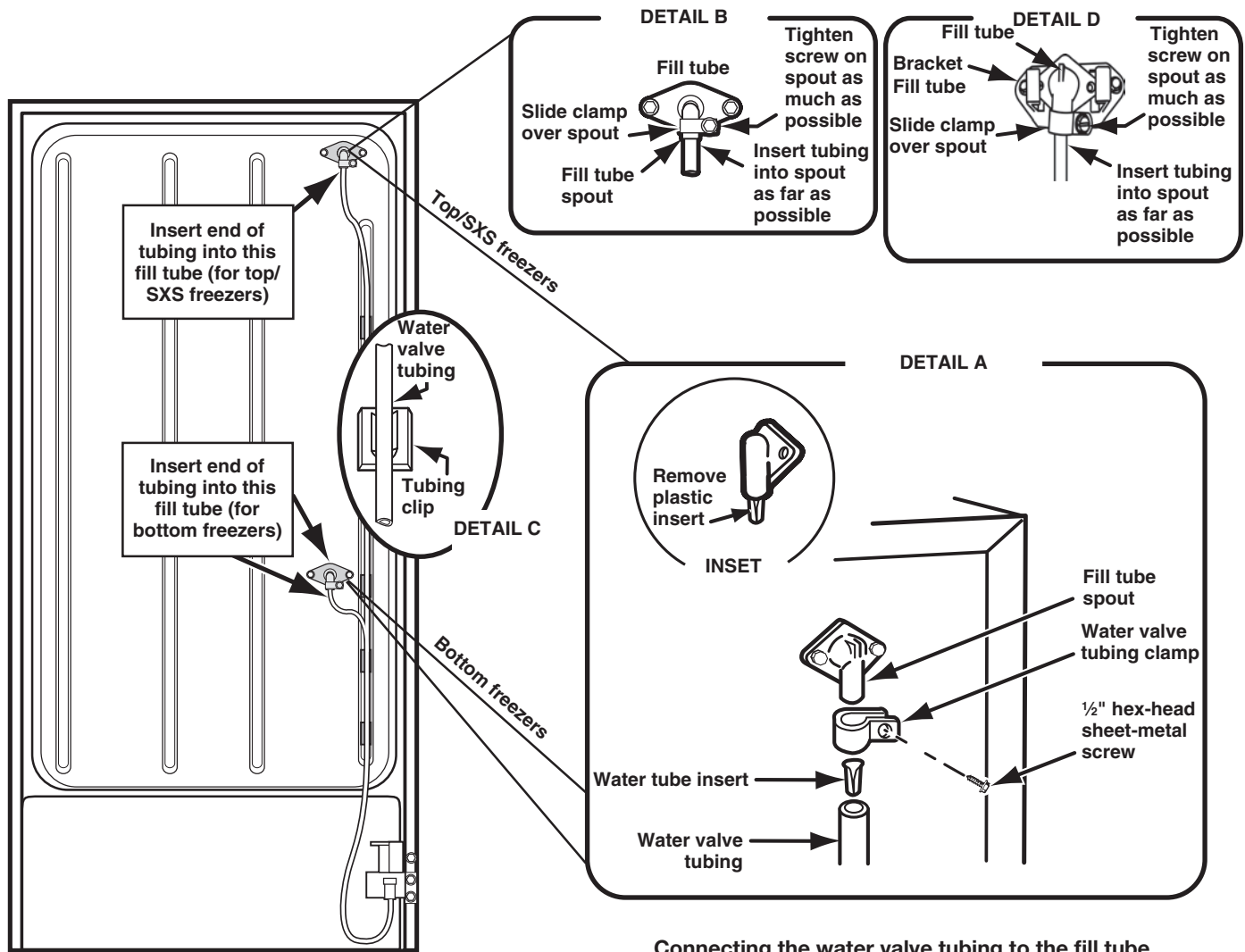
Mounting the water valve



Connecting the water valve tubing

Refer to the diagram below for the following steps.

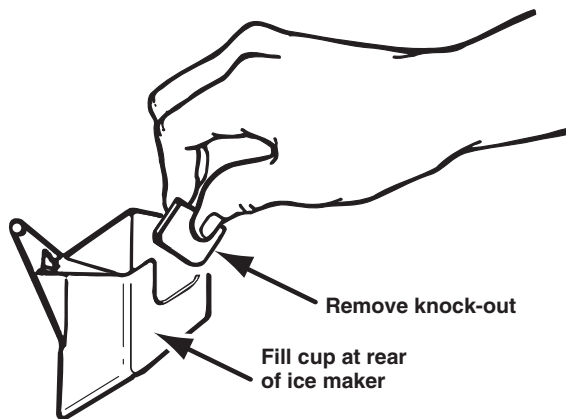
1. Refer to the inset in DETAIL A and pull the plastic insert out of the fill tube spout and discard it.
2. Locate the water valve tubing clamp (from the ice maker kit), and note that one of the flanges is made for a threaded screw and the other side has a round hole. Position this clamp with the round hole side facing up, and slide it over the end of the spout (see DETAILS A, B and D). Thread a 1/2" hex-head sheet metal screw into the clamp with your fingers as far as possible. You will tighten the screw later.
3. Refer to DETAIL A, and position the metal water tube insert as shown, then press it all the way into the water valve tubing.
4. Refer to DETAIL B and D, and slide the end of the tubing into the end of the fill tube spout as far as it will go (if the tubing does not reach, pull as much as necessary up through the clips), then tighten the tubing clamp screw as much as possible. Pull on the tubing to make sure that it is secure. If it slides out of the spout, push it back in, and tighten the clamp screw further until the tubing is secure.
5. Press the tubing into the two clips (see DETAIL C) you installed earlier on the back of the cabinet. You will connect the free end of the tubing later.
6. Pull any excess tubing near the fill tube down through the two clamps so it forms a straight line with a loop at the bottom of the water valve.



Mounting the ice maker

Refer to the side diagram for the following step.

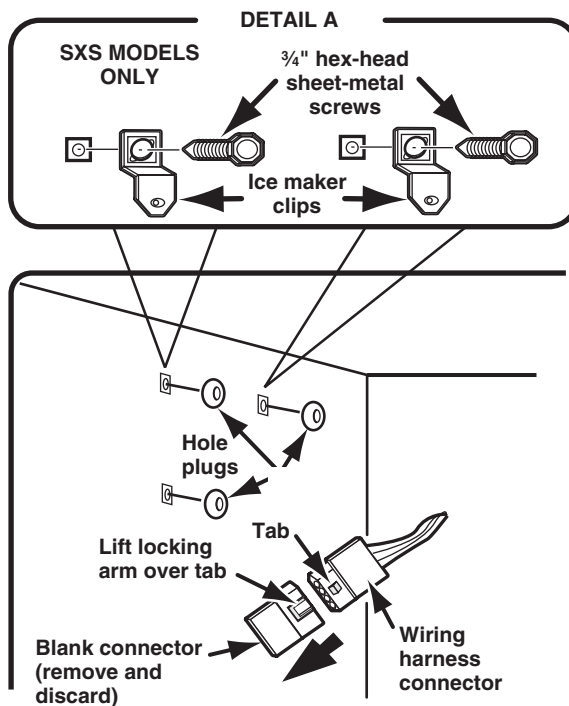
1. Look at the ice maker's fill cup and note that the rear of the cup has a "U" shaped groove (either of the sides may also be grooved). Use your fingers, (or a pair of pliers, if it is easier), and remove only the rear "knock-out" from the cup. Bend the area back and forth inside the groove until it breaks free. The fill tube will fit through this cutout when you install the ice maker.



Removing the knock-out

Refer to the side diagram for the following steps.

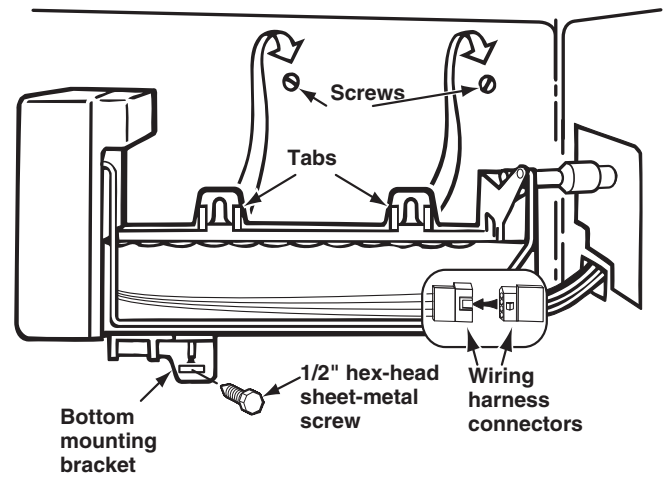
1. Remove and discard the blank connector from the wiring harness. To remove it, lift the locking arm on the side of the blank connector so it is over the tab of the wiring harness connector, and pull the blank connector off.
2. Insert the end of a small-bladed screwdriver under the edges of each of the three ice maker mounting hole plugs in the side of the freezer liner, and pry them out of their holes. You can discard the plugs.
3. For Top/Bottom Freezers Only: Partially install two 3/4" hex-head sheet-metal screws into the two top mounting holes (shown in the diagram) of the freezer liner. You will hang the ice maker over these two screws later, so make sure that they protrude out far enough.
4. For Side-By-Side Models Only: Refer to DETAIL A and mount the two mounting clips (from the ice maker kit) to the top mounting holes of the freezer liner with two 3/4" hex-head sheet-metal screws. Make sure that both clips hang straight down and then tighten the screws.



Installing the ice maker clips

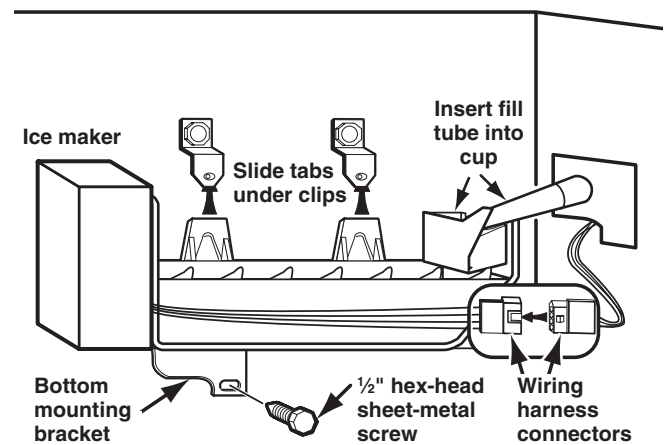
Refer to the side diagrams for the following steps.

1. Position the ice maker inside the freezer compartment and connect its wiring connector to the wiring harness connector so they lock together (the locking arm will snap over the raised tab). The connectors will fit together only one way.
2. For Top/Bottom Freezers Only: Hang the ice maker over the two hex-head screws you installed earlier. Make sure that the bottom mounting bracket hole is aligned with the mounting hole in the freezer liner, then tighten the two top hex head screws. Be careful not to overtighten the screws.



**Mounting the ice maker
(top and bottom freezers)**

3. For Side-By-Side Models Only: Position the ice maker so that its top and bottom mounting tabs are flat against the side of the freezer liner. Center the top tabs under the two mounting clips, and push the ice maker straight up so that the mounting clips snap over the tabs and lock into place (you should hear them "click" as they lock).
4. Mount the bottom bracket of the ice maker to the freezer liner mounting hole with a 3/4" hex-head sheet-metal screw.



**Mounting the ice maker (side-
by-side models)**

Connecting the Water Supply

Read all directions before you begin.

IMPORTANT:

Connect to potable water supply only.

Do not use with water that is microbiologically unsafe or of unknown quality without adequate disinfection before or after the system. Systems certified for cyst reduction may be used on disinfected waters that may contain filterable cysts.

- Plumbing must be installed in accordance with the International Plumbing Code and any local codes and ordinances.
- Copper and PEX tubing connections from the household water line to the refrigerator are acceptable and will help avoid off-taste or odor in your ice or water. Check for leaks.
- If PEX tubing is used instead of copper, we recommend the following part numbers: W10505928RP (7 ft [2.14 m] jacketed PEX), 8212547RP (5 ft [1.52 m] PEX), or W10267701RP (25 ft [7.62 m] PEX).
- Install tubing only in areas where temperatures will remain above freezing.

Tools Needed:

Gather the required tools and parts before starting installation.

- Flat-blade screwdriver
- 7/16" and 1/2" open-end wrenches or 2 adjustable wrenches
- 1/4" nut driver

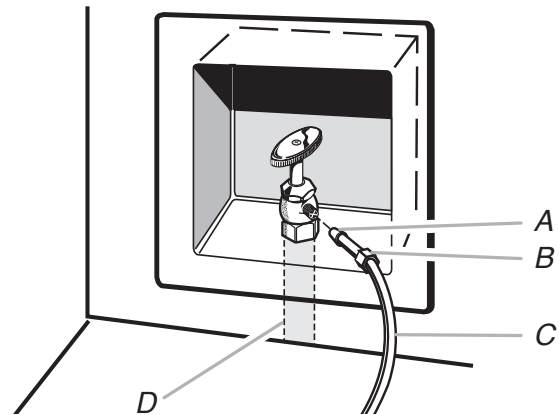
NOTE: Do not use a piercing-type or 3/16" (4.76 mm) saddle valve, which reduces water flow and clogs easier.

Connect to Water Line

IMPORTANT: If you have turned the refrigerator on before the water was connected, turn off the ice maker.

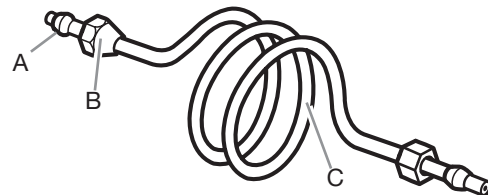
1. Unplug refrigerator or disconnect power.
2. Turn off main water supply. Turn on nearest faucet long enough to reduce water pressure in the water line.
3. Use a quarter-turn shut-off valve or the equivalent, served by a 1/2" household supply line.

NOTE: To allow sufficient water flow to the refrigerator, a minimum 1/2" (12.7 mm) size household supply line is recommended.



A. Sleeve
B. Nut
C. Copper tubing (to refrigerator)
D. Household supply line (1/2" minimum)

4. Now you are ready to connect the copper tubing to the shut-off valve. Use 1/4" (6.35 mm) O.D. (outside diameter) soft copper tubing to connect the shut-off valve and the refrigerator.
5. Ensure that you have the proper length needed for the job. Be sure both ends of the copper tubing are cut square.
6. Slip compression sleeve and compression nut onto copper tubing as shown. Insert end of tubing into outlet end squarely as far as it will go. Screw compression nut onto outlet end with adjustable wrench. Do not overtighten.



A. Compression sleeve
B. Compression nut
C. Copper tubing

7. Place the free end of the tubing into a container or sink and turn on main water supply to flush out tubing until water is clear. Turn off shut-off valve on the water pipe.

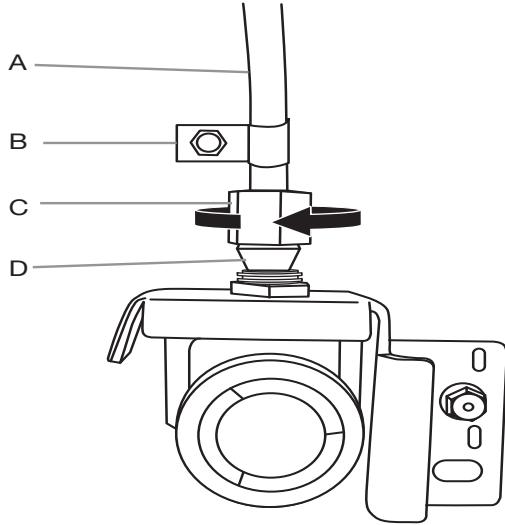
Note: Always drain the water line before making the final connection to the inlet of the water valve to avoid possible water valve malfunction.

8. Bend the copper tubing to meet the water line inlet, located on the back of the refrigerator cabinet as shown. Leave a coil of copper tubing to allow the refrigerator to be pulled out of the cabinet or away from the wall for service.

Connect to Refrigerator

Follow the connection instructions specific to your model.

1. Remove plastic cap from water valve inlet port. Attach the copper tubing to the valve inlet using a compression nut and sleeve as shown. Tighten the compression nut. Do not overtighten. Confirm copper tubing is secure by pulling on copper tubing.
2. Create a service loop with the copper tubing. Avoid kinks when coiling the copper tubing. Secure copper tubing to the rear panel with a "P" clamp, using the original screw in the panel slot above the valve.



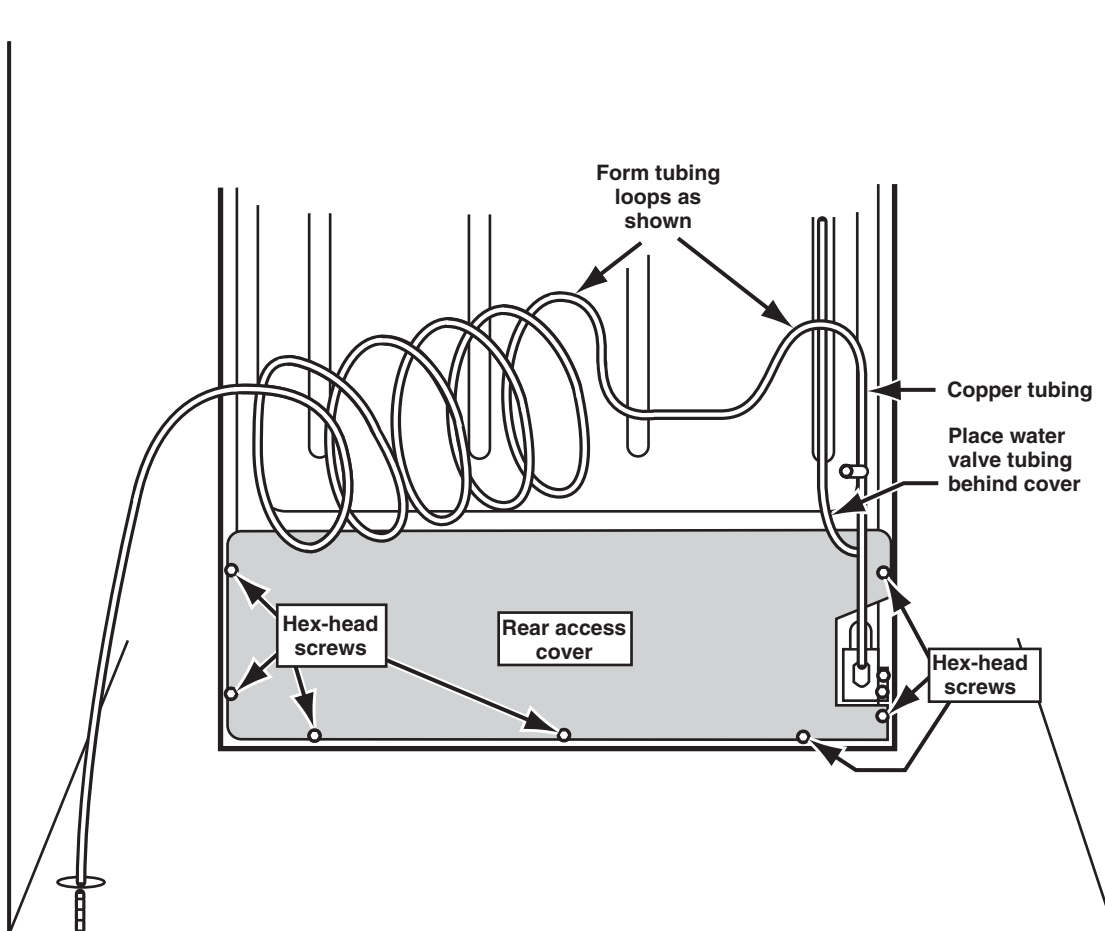
A. Copper tubing C. Compression nut
B. "P" clamp D. Compression sleeve

3. Turn on water supply to refrigerator and check for leaks. Correct any leaks.

Final Installation

Installing the access cover and forming the copper tubing


1. Reinstall the rear access cover on the refrigerator so the water valve tubing is inside the cover, and the copper water line is outside (see the diagram below), then secure the cover with the seven hex-head screws you removed earlier.
2. Loop the copper tubing coming from the water valve as shown. Position the coiled copper tubing near the center of the unit so that it forms an “accordion-fold” (as shown in the diagram below) when it is moved to-and- from the wall.



Installing the access cover and forming the copper tubing

Connecting the power/leveling the unit

⚠ WARNING



Electrical Shock Hazard

Plug into a grounded 3 prong outlet.

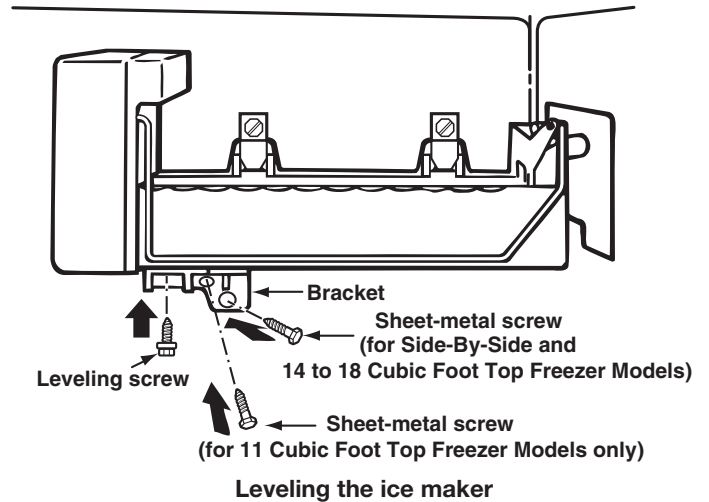
Do not remove ground prong.

Do not use an adapter.

Do not use an extension cord.

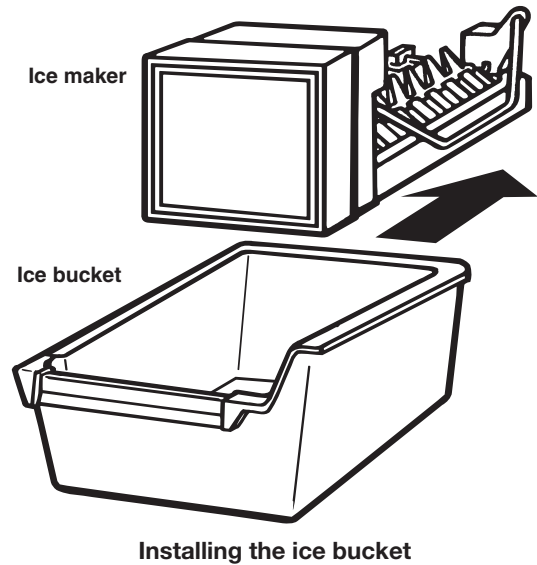
Failure to follow these instructions can result in death, fire, or electrical shock.

1. Plug the power cord into its AC outlet, and carefully push the refrigerator back against the wall.
2. Place a level on top of the cabinet. If you need to re-level the refrigerator, follow the procedure to adjust the front casters, as outlined in your refrigerator's "Use and Care Guide."
3. Check the position of the ice maker. If it is crooked and needs to be adjusted, loosen the bottom bracket screws (see the side diagram) and position the unit as desired, then tighten the bracket screws.



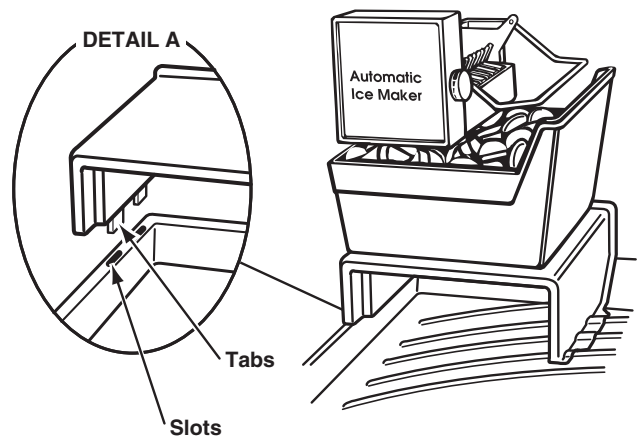
Starting the Ice Maker

1. Wash out the ice bucket, and then slide it under the ice maker (see the side diagram) as far as it will go. The ice bucket will be sitting on top of the freezer shelf.



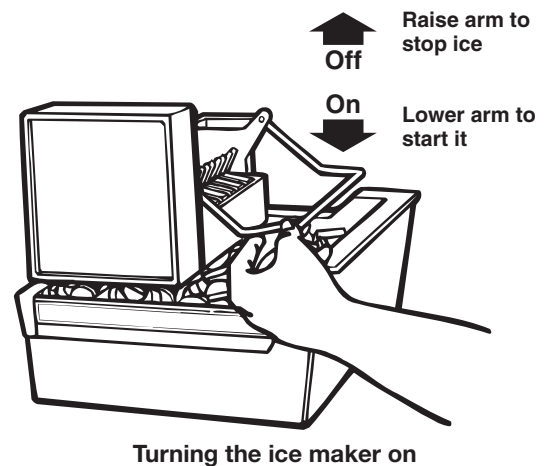
IMPORTANT: On top-mount models without a full-width freezer shelf, you will need to place the ice bucket on top of the inverted ice tray shelf. First, position the ice tray shelf face down so that the shorter side is alongside the freezer wall (see DETAIL A). Then insert the tabs on the shorter side of the shelf into the slots on the edge of the freezer floor. This will hold the shelf in position. Next, place the ice bucket on top of the inverted ice tray shelf and slide it under the ice maker (see side diagram). The ice maker will not function properly if the ice bucket is placed directly on the freezer floor.

2. Place the items back into the freezer compartment.
3. Lower the arm on the ice maker (see the side diagram) to its "on" position, and close the freezer door. The ice maker will begin to make ice within 24 hours.



NOTE: It usually takes approximately 24 hours for the ice maker to begin producing ice. Once ice is available, you may notice that it has an "off taste." If this happens, make two or three batches of ice and discard them. After that, the "off-taste" should be gone. If you have any problems, refer to "Troubleshooting" on page 22.

This completes the installation of your Ice Maker.



Troubleshooting

Operational notes

1. The Ice Maker water valve contains a flow washer that acts like a pressure regulator to control the water flow. For the Ice Maker to work properly, the water pressure in your home must be between 20 and 120 pounds per-square-inch (psi). If you encounter problems with your Ice Maker's ability to produce ice, call your water utility company and have the water pressure checked.
2. The Ice Maker's water valve is equipped with two strainers: a plastic basket type and a wire-mesh screen. Both of these can be cleaned by turning off the water and disassembling the water valve (your service center should be able to provide this service). If local water conditions require periodic cleaning, or if you use a well as a water source, you should consider installing a second water strainer in the water line. You can obtain a water strainer from your local appliance dealer.

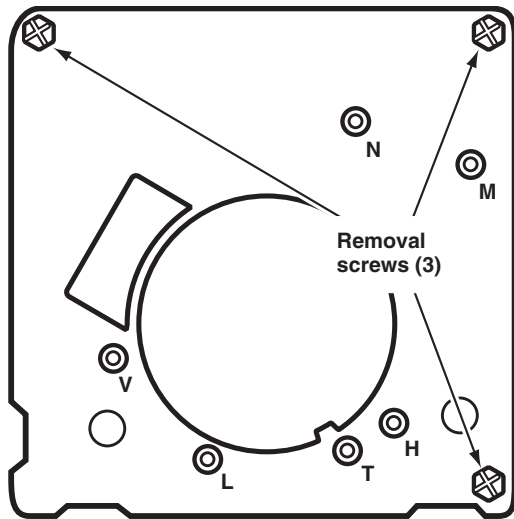
Troubleshooting chart

The following chart lists several common problems that could occur with your Ice Maker.

PROBLEM	CAUSE
One or more of the following sounds is heard: <ul style="list-style-type: none">• Buzzing• Trickling water• Thud (clatter of ice)	The water valve is operating. Water is entering the Ice Maker fill cup. Ice is being dumped into the ice bin.
Ice tastes stale.	The ice is old. Make a new batch.
Water in Ice Maker overflows.	Refrigerator or Ice Maker is not level. If the Ice Maker still overflows after leveling, turn off the Ice Maker's water supply at the shut-off valve, and raise the Ice Maker's bail arm to the "off" position (see page 21); then contact your local service center.
Not enough ice.	It will take 48 hours to fill the ice bucket. The ice maker will make ice every 2 to 3 hours. For more ice, adjust the freezer control for a colder setting.
Ice making has stopped.	Be sure that the bail arm is lowered into the ice bucket (see page 21). Make sure that the water shut-off valve is on. The water shut-off valve or the water valve screen is clogged (contact your local service center).

The modular ice maker service sheet

Module Test Points



EJECTOR BLADES OR STRIPPER

REMOVE MODULE, MOTOR, SUPPORT ASSEMBLY.
WHEN REINSTALLING EJECTOR BLADES, REALIGN "D"
COUPLING WITH MODEL CAM.

Specifications

MOLD HEATER – 185 WATTS, 72 OHMS
THERMOSTAT – CLOSE $17^{\circ} \pm 3^{\circ}$
(BIMETAL) OPEN $32^{\circ} \pm 3^{\circ}$
WATER FILL – 140CC, 7.5 SEC.
MOTOR – 1.5 WATTS, 8800 OHMS
MODULE – STAMPED CIRCUIT, PLUG-IN CONNECTORS
CYCLE – ONE REVOLUTION (EJECTS AND WATER FILL)
FOR 120 VOLT MODEL

Water level adjustment

TURNING THE SCREW CLOCKWISE DECREASES THE WATER
FILL.

- 1/2 TURN EQUALS 20CC OR 1.2 SEC.
- FULL TURN EQUALS 40CC OR 2.4 SEC.
- MAXIMUM ADJUSTMENT IS ONE FULL TURN EITHER DIRECTION. ADDITIONAL ROTATION COULD DAMAGE MODULE.

MODULE OHMMETER CHECKS (NO POWER TO ICE MAKER AND EJECTOR BLADES IN PARK)			
TEST POINTS	COMPONENT	MODULE POSITION	OHMS
L-H	MOLD HEATER	ATTACHED TO SUPPORT	72
L-M	MOTOR	DISCONNECT FROM SUPPORT	8800

Service Procedures

COVER

PULL WATER ADJUSTMENT KNOB FIRST AND SNAP OFF COVER. INDEX KNOB AND REINSTALL IN SAME POSITION FOR WATER FILL.

MODULE, MOTOR, AND SUPPORT ASSEMBLY

INSERT PHILLIPS DRIVER IN ACCESS PORTS IN MODULE. LOOSEN BOTH SCREWS. DISCONNECT SHUT-OFF ARM. PULL MOLD FROM SUPPORT ASSEMBLY.

SHUT-OFF ARM

PULL OUT FROM SUPPORT. REINSERT TO FULL DEPTH.

MOLD AND HEATER

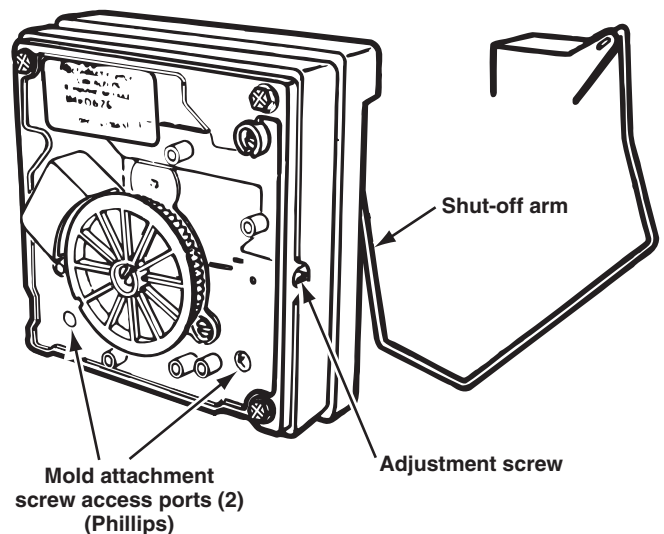
REMOVE MODULE, MOTOR, AND SUPPORT ASSEMBLY.

BIMETAL

REMOVE MODULE, MOTOR, AND SUPPORT ASSEMBLY. PULL OUT RETAINING CLIPS WITH BIMETAL.

FILL CUP

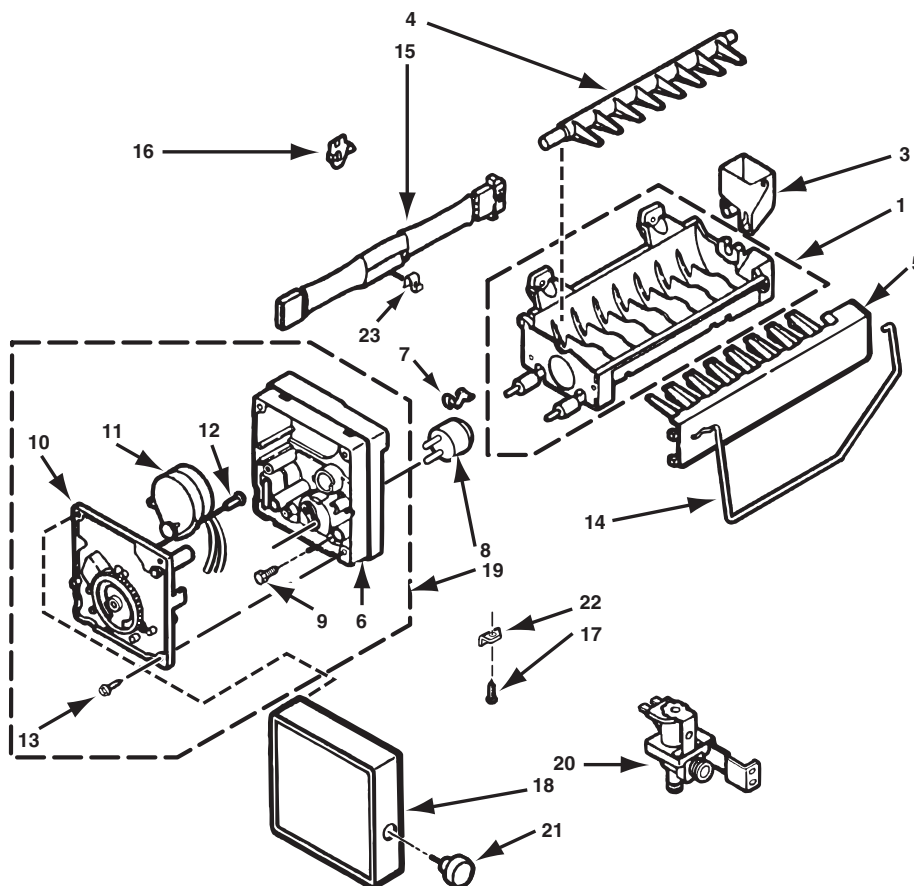
REMOVE MODULE, MOTOR, AND SUPPORT ASSEMBLY. REMOVE EJECTOR BLADES AND SHUT-OFF ARM. PULL FILL CUP FROM MOLD.



Ice maker replacement parts list

When you place an order for a part, use the "Part Number," not the "Key Number."

Key Number	Part Number	Description
1	628228	Mold and Heater Assembly
3	628356	Bearing and Inlet
4	627843	Ejector
5	627788	Ice Stripper
6	627790	Support
7	627796	Retainer, Thermostat (2)
8	627985	Thermostat (also Order #542369 Cement Alumilastic)
9	489322	Screw, (2) 10-32 x 49/64"
10	628358	Module, Assembly
11	628258	Motor
12	489136	Screw, (2) 3-24 x 23/64"
13	489276	Screw, (3)
14	627792	Shut-off Arm
15	628256	Wiring, Harness
16	2155021	Clip, Ice Maker
17	489128	Screw, 8-32 x 27/64"
18	1115846	Cover
19	628366	Module Assembly (Includes Items 10, 11, and 12)
20	627929	Valve, Solenoid
21	1115844	Knob, Water
22	628229	Bracket
23	628379	Clip, Thermal Fuse



Ice maker replacement parts list (cont'd)

The following parts are not illustrated.

Optional parts are not included in this list.

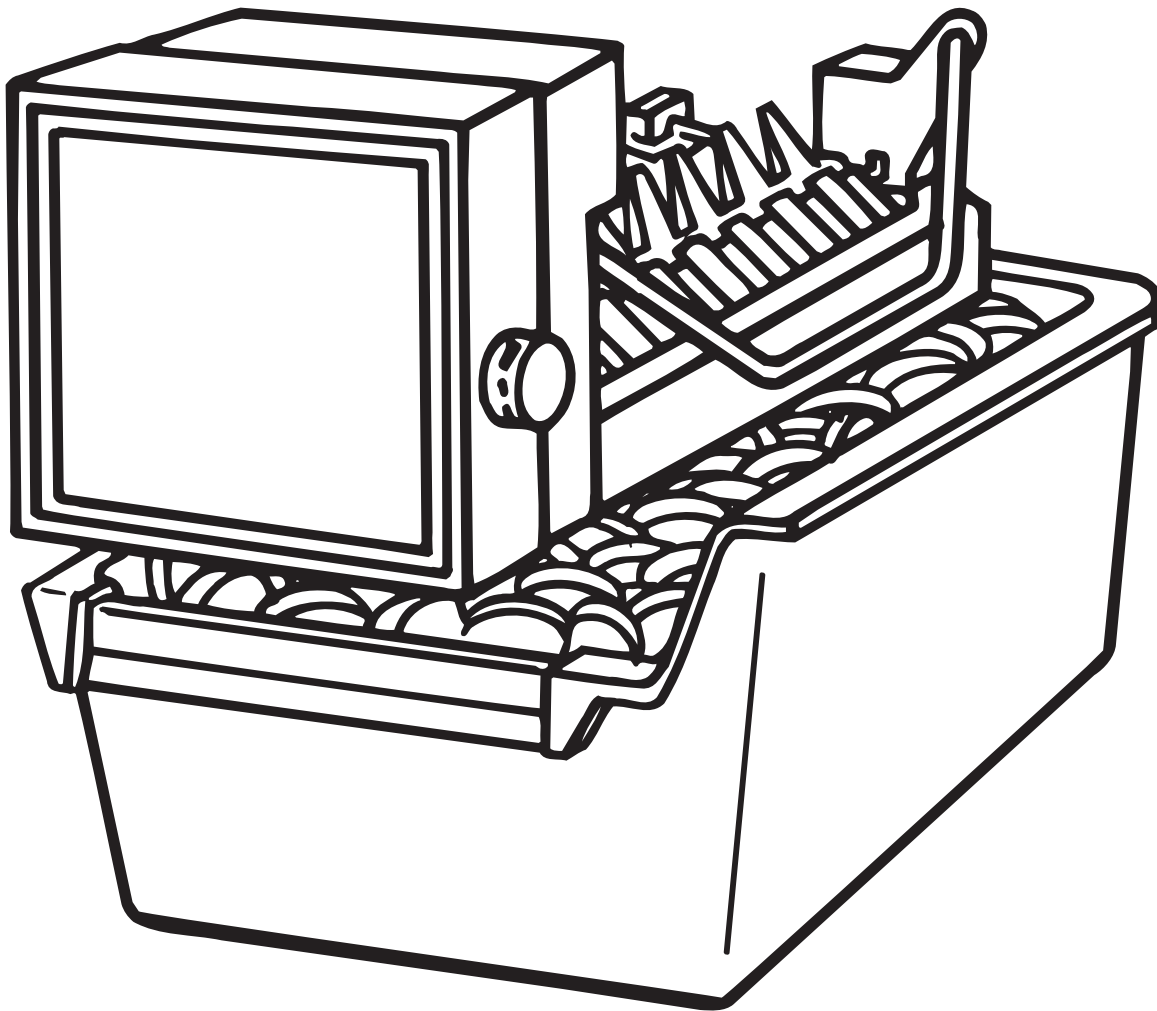
Part Number	Description
939529	Ice Cube Pan
837142	Trim, Ice Cube Pan
1121997	Accessory Bag, Outside
*836489	Fitting, Water Tube
*1106508	Seal Gasket (not needed for 11 Cubic Foot Top Freezer Models)
*488645	Screw, 8 x 1/2"
*488649	Screw, 8-32 x 1/2"
*841707	Insert, Plastic Tube
*627854	Tube Assembly, Inlet Valve
*537588	Nut, Inlet Valve
*488292	Washer
*836074	Dampener
*510716	Tube Clamp
*488366	Tube Clamp
*488878	Tube Clamp
*549193	Clamp, Service Cord
*653499	Plastic Tube
*627018	Nut and Sleeve Assembly
*841707	Insert, Plastic Tube
**1121995	Accessory Bag, Inside
**489069	Screw, 8 x 1/2"
*939027	Tube, Water Inlet
944811	Wiring Assembly, Ice Maker
W10310299	Ice Cube Pan (for 11 Cubic Foot Top Freezer Models)
2174760	Fitting, Water Tube (for 11 Cubic Foot Top Freezer Models)
W10315448	Accessory Bag, Inside (for 11 Cubic Foot Top Freezer Models)
W10315444	Tube, Water Inlet (for 11 Cubic Foot Top Freezer Models)

* Components of Accessory Bag Outside.

** Components of Accessory Bag Inside.

Whirlpool®

G U I D E
d'installation



MACHINE À GLAÇONS MODULAIRE (ENSEMBLE)

www.whirlpool.com

Table des matières

DEMANDE D'ASSISTANCE OU DE DÉPANNAGE	27
INFORMATION IMPORTANTE	28
AVANT DE COMMENCER	29
Outillage nécessaire	29
Notes concernant l'installation	29
Composants	30
INSTALLATION DE LA MACHINE À GLAÇONS	31
Opérations préparatoires	31
Modèle à compartiments juxtaposés	32
Modèle à compartiments superposés	34
Modèle à compartiments superposés (suite)	35
Installation des agrafes de retenue du tube de cuivre malléable	36
Préparation du tube de l'électrovanne d'admission d'eau (seulement pour un modèle à congélateur en bas).....	37
Montage de l'électrovanne d'admission d'eau	38
Raccordement du tube de l'électrovanne d'admission d'eau	39
Mounting the ice maker	40
DERNIÈRES ÉTAPES DE L'INSTALLATION.....	42
Installation du couvercle de l'ouverture d'accès et formage du tube de cuivre malléable	42
RACCORDEMENT À LA CONDUITE D'EAU.....	43
Rétablissement de l'alimentation électrique /réglage de l'aplomb de l'appareil	45
MISE EN MARCHÉ DE LA MACHINE À GLAÇONS	46
DÉPANNAGE.....	47
Notes sur le fonctionnement de l'appareil	47
Tableau de diagnostic/dépannage.....	47
Machine à glaçons modulaire - Fiche technique.....	48
Machine à glaçons - Liste des pièces de rechange	49
Machine à glaçons - Liste des pièces de rechange (suite)	50

Demande d'assistance ou de dépannage

Pour tout besoin d'assistance, contacter le revendeur ou téléphoner sans frais au Centre d'assistance aux consommateurs de Whirlpool au 18006932538 (accessible 24 heures sur 24).

Information importante

L'information d'avertissement suivante est répétée en divers endroits dans ce Guide d'installation; il convient de lire attentivement et de se familiariser parfaitement avec cette information d'avertissement.

Votre sécurité et celle des autres est très importante.

Nous donnons de nombreux messages de sécurité importants dans ce manuel et sur votre appareil ménager. Assurez-vous de toujours lire tous les messages de sécurité et de vous y conformer.



Voici le symbole d'alerte de sécurité.

Ce symbole d'alerte de sécurité vous signale les dangers potentiels de décès et de blessures graves à vous et à d'autres.

Tous les messages de sécurité suivront le symbole d'alerte de sécurité et le mot "DANGER" ou "AVERTISSEMENT". Ces mots signifient :

⚠ DANGER

Risque possible de décès ou de blessure grave si vous ne suivez pas immédiatement les instructions.

⚠ AVERTISSEMENT

Risque possible de décès ou de blessure grave si vous ne suivez pas les instructions.

Tous les messages de sécurité vous diront quel est le danger potentiel et vous disent comment réduire le risque de blessure et ce qui peut se produire en cas de non-respect des instructions.

- Ce Guide d'installation présente les instructions complètes d'installation de la machine à glaçons dans le congélateur du réfrigérateur, et les instructions de raccordement entre la canalisation d'arrivée d'eau et la machine. Lire attentivement le guide, et exécuter les instructions exactement telles qu'elles sont présentées. Veillez également à respecter toutes les instructions de "sécurité".
- Cet ensemble a été conçu pour que toute personne puisse l'installer; ceci nécessite cependant un niveau minimum de compétence ou d'aptitude mécanique.
- Avant d'entreprendre l'installation de la machine à glaçons, il est nécessaire d'acquérir un ensemble "Tube de cuivre malléable", contenant un ensemble robinet d'arrêt ordinaire/ bride de prise en charge (pour réfrigérateur avec machine à glaçons automatique ou casiers autoremplissables). L'ensemble contient tout le matériel nécessaire pour le raccordement de la machine à glaçons à la source d'eau. On peut acheter l'ensemble nécessaire dans la plupart des magasins de quincaillerie ou de fournitures de plomberie.
- **NE PAS UTILISER UN ROBINET D'ARRÊT DE 3/16" OU À AIGUILLE PERÇANTE;** un tel robinet d'arrêt limite le débit d'eau vers la machine à glaçons et peut facilement s'obstruer.
- **NE PAS UTILISER UN TUBE DE POLYÉTHYLÈNE FLEXIBLE;** pour raccorder la machine à glaçons à la canalisation d'arrivée d'eau; utiliser uniquement un tube de cuivre malléable, dia. ext. 1/4".

**L'INSTALLATION RÉALISÉE PAR LE CLIENT/
UTILISATEUR N'EST PAS GARANTIE PAR LE
FABRICANT DU RÉFRIGÉRATEUR OU DE LA
MACHINE À GLAÇONS.**

Avant de commencer

Outillage nécessaire

Rassembler les outils et composants nécessaires avant d'entreprendre le processus d'installation. Lire et observer les instructions fournies avec chaque outil mentionné dans la liste ci-dessous.

1. Tournevis ordinaire
2. Tournevis Phillips
3. Clés plates de 7/16" et 1/2" (ou clé à molette)
4. Pince
5. Tourne-écrou de 1/4"
6. Perceuse manuelle avec foret de 1/4"
7. Petit niveau manuel (option)
8. Petite lime ronde 3/4
9. Coupe-tube
10. Pointeau
11. Marteau
12. Ciseaux
13. Règle
14. Tabouret (option)

Notes concernant l'installation

1. Exécuter les instructions exactement telles qu'elles sont décrites; lire la totalité de la description de chaque étape pour bien comprendre le processus avant de l'exécuter.
2. Les illustrations présentées dans ce Guide d'installation clarifient la description des étapes de l'installation à exécuter. Pour chaque groupe d'étapes, étudier le diagramme présenté juste à côté ou au-dessous du texte, pour tout besoin de clarification. Certaines illustrations contiennent également des "DÉTAILS" dans un cercle à côté de l'illustration à plus petite échelle. Un DÉTAIL présente un gros plan d'une certaine partie d'un diagramme, ou une illustration d'une étape spécifique à exécuter. Les DÉTAILS par un code alphabétique (A, B ou C), et il y est fait clairement référence dans le texte descriptif de chaque étape.
3. Lorsqu'il est nécessaire d'installer une pièce, positionner la pièce tel que ceci est représenté sur l'illustration.

Composants

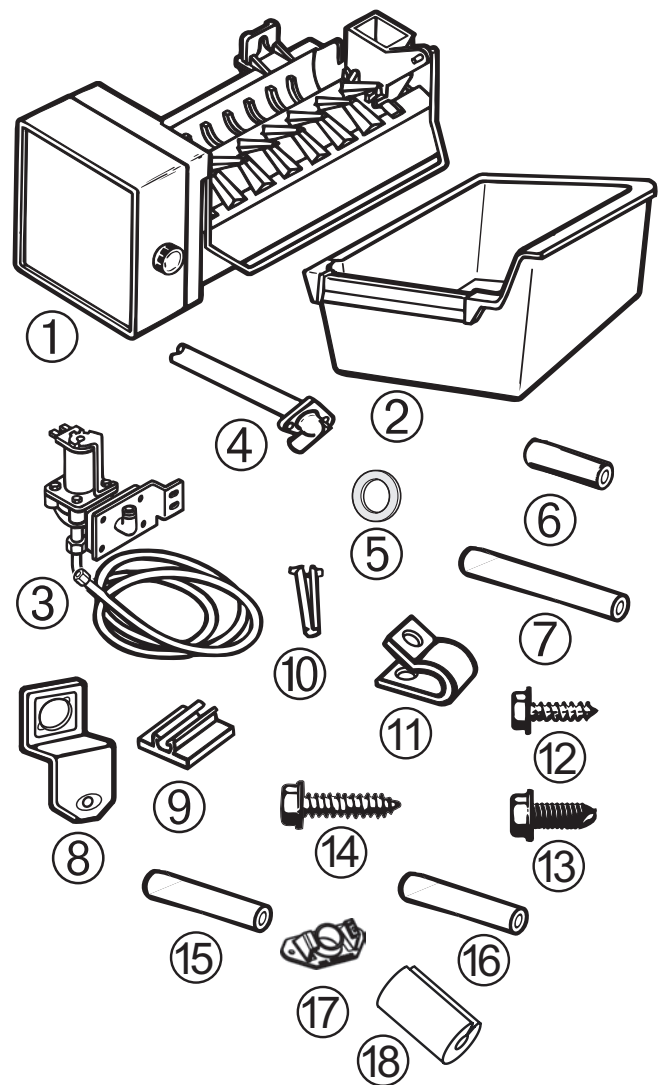
Ôter les divers articles de l'emballage d'expédition, et placer ceux-ci sur une table pour pouvoir les identifier facilement. Vérifier la présence de chaque composant de l'ensemble, par comparaison à la liste; ceci permet également à l'installateur de se familiariser avec les composants. Après avoir identifié un composant, placer une marque de cochage (3) à côté de son nom. Les CODES DE REPÉRAGE correspondent à l'«Illustration des composants».

IMPORTANT: Lorsqu'on retire l'électrovanne d'admission d'eau et le tube malléable de leur emballage de polystyrène, veiller à ne pas séparer le tube de cuivre malléable de l'électrovanne; les deux composants ont été assemblés à l'usine, et ceci a fait l'objet d'un test de recherche des fuites. Ne pas modifier la position de l'écrou de compression qui connecte le tube de cuivre malléable sur l'électrovanne, sinon l'électrovanne pourrait manifester une fuite après le raccordement à la source d'eau.

Ne jeter aucun matériau d'emballage avant d'avoir vérifié la présence de tous les composants. S'il est nécessaire de commander une pièce de rechange pour la machine à glaçons, voir la liste des pièces de rechange présentée à la page 49.

REPÈRE	QTÉ.	DESCRIPTION
1	1	Machine à glaçons
2	1	Panier à glaçons
3	1	Électrovanne d'admission d'eau avec tube malléable
4	1	Tube de remplissage
5	1	Joint – seulement pour * (et) **
6	1	Tube d'extension (court) de 2 1/2"
7	1	Tube d'extension (long) de 6" *
8	2	Pattes de retenue de la machine à glaçons *
9	2	Agrafes de retenue du tube malléable
10	1	Élément inséré métallique pour tube malléable
11	1	Bride d'arrimage du tube malléable, pour électrovanne d'admission d'eau
12	4	Vis de tôlerie/tête hexagonale de 1/2"
13	2	Vis à métaux/tête hexagonale de 1/2"
14	2	Vis de tôlerie/tête hexagonale de 3/4"
15	1	Tube d'extension de 4" **
16	1	Tube d'extension de 3 3/8"***
17	1	Bride de support du tube de remplissage***
18	1	Condenseur à oeillet**

ILLUSTRATION DES COMPOSANTS



Installation de la machine à glaçons

Opérations préparatoires

Voir l'illustration ci-dessous au sujet des étapes suivantes.

1. Écarter doucement le réfrigérateur du mur pour pouvoir accéder facilement au panneau arrière.

⚠ AVERTISSEMENT



Risque de choc électrique
Déconnecter la source de courant électrique avant l'installation de la machine à glaçons.
Le non-respect de cette instruction peut causer un décès ou un choc électrique.

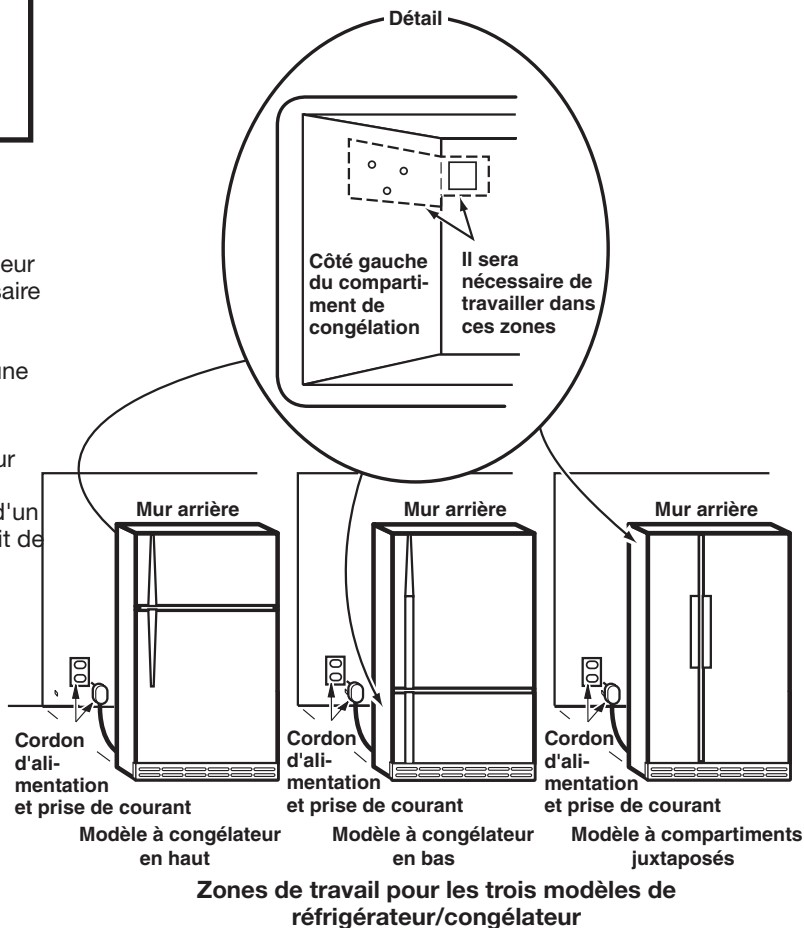
2. Débrancher le réfrigérateur ou déconnecter la source de courant électrique.

IMPORTANT: Dans le cas d'un appareil congélateur/réfrigérateur à compartiments juxtaposés (côte à côte), lorsqu'il est nécessaire d'ouvrir la porte du congélateur pour travailler à l'intérieur du compartiment de congélation, veiller à ne pas forcer la porte contre la butée présente en bas de la porte; si la butée subit une déformation, la porte ne pourra plus se fermer correctement.

3. Dans le cas d'un appareil congélateur/ réfrigérateur à compartiments superposés, ouvrir la porte du congélateur et retirer tous les articles alimentaires qui se trouvent à l'intérieur du compartiment de congélation. Dans le cas d'un appareil à compartiments juxtaposés (côte à côte), il suffit de retirer les articles alimentaires qui se trouvent dans la moitié supérieure du compartiment de congélation; ceci permet de dégager un espace suffisant pour accéder à la zone d'installation de la machine à glaçons.

4. Pour un appareil à congélateur en bas, ôter le panier monté sur glissières, les casiers à glaçons et la tringle de retenue des glaçons (si nécessaire, consulter le "Guide d'utilisation et d'entretien" au sujet du processus); conserver ces articles à part. Pour un appareil à congélateur en haut qui ne comporte pas une étagère pleine largeur dans le congélateur, retirer l'étagère du casier à glaçons. Placer l'étagère à part; elle sera réutilisée comme support du panier à glaçons. Pour un appareil à compartiments juxtaposés, passer à la section "Modèle à compartiments juxtaposés" à la page 32. Pour un appareil à congélateur en haut ou à congélateur en bas, passer à la section "Modèle à compartiments superposés" à la page 34.

REMARQUE: Pour les trois modèles de réfrigérateur/congélateur, la zone de travail est identifiée par l'illustration DÉTAIL A ci-dessous.



Modèle à compartiments juxtaposés

Voir le diagramme adjacent au sujet des étapes suivantes. Il sera nécessaire de travailler à l'intérieur du compartiment de congélation.

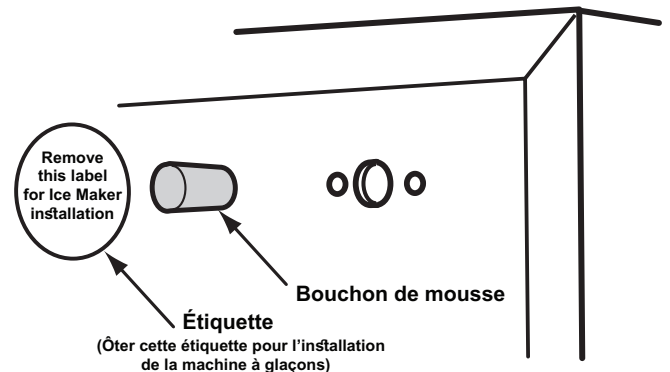
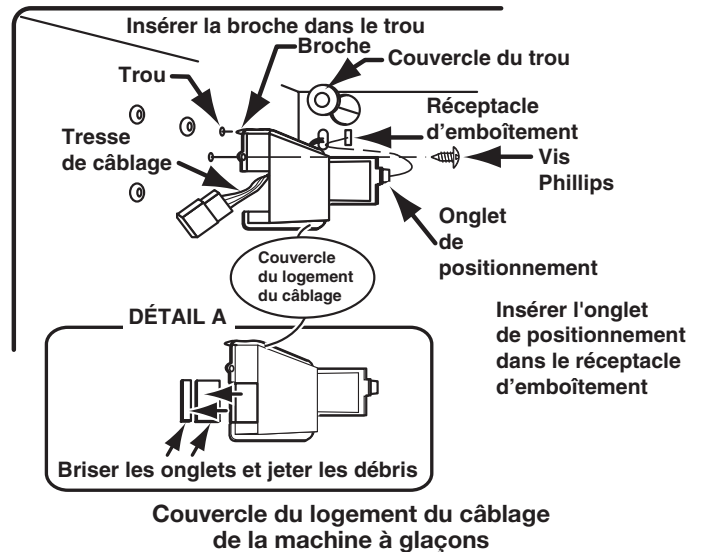
1. Ôter la vis Phillips qui retient le couvercle du logement du câblage de la machine à glaçons, et ôter le couvercle.
2. Voir le DÉTAIL A; avec une pince, briser les onglets du couvercle du câblage; jeter ces débris.
3. Insérer la lame d'un petit tournevis sous le bord du bouchon du trou de passage du tube de remplissage (à l'arrière de la doublure du congélateur); extraire le bouchon; jeter le bouchon.

Voir le diagramme adjacent au sujet des étapes suivantes. Il sera nécessaire de travailler à l'extérieur à l'arrière de la caisse du réfrigérateur.

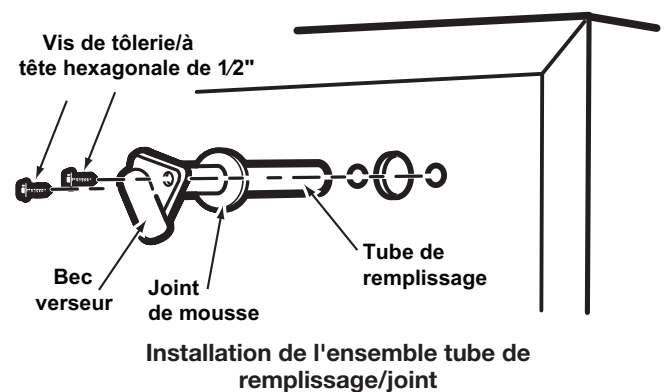
1. Dans l'angle supérieur droit de la caisse du réfrigérateur, décoller l'étiquette placée par-dessus le trou de passage du tube de remplissage.
2. Extraire le bouchon de mousse du trou de passage du tube de remplissage; jeter le bouchon.

Voir le diagramme adjacent au sujet des étapes suivantes.

1. Dans l'ensemble Machine à glaçons, identifier le tube de remplissage et le joint de mousse rond (le joint peut avoir déjà été installé sur le tube de remplissage); si cela n'est pas déjà fait, enfiler le joint sur l'extrémité du tube de remplissage.
2. Insérer le tube de remplissage à travers le trou à l'arrière du réfrigérateur; le bec verseur doit être orienté vers le bas. Fixer le tube de remplissage avec deux vis de tôlerie/à tête hexagonale de 1/2".

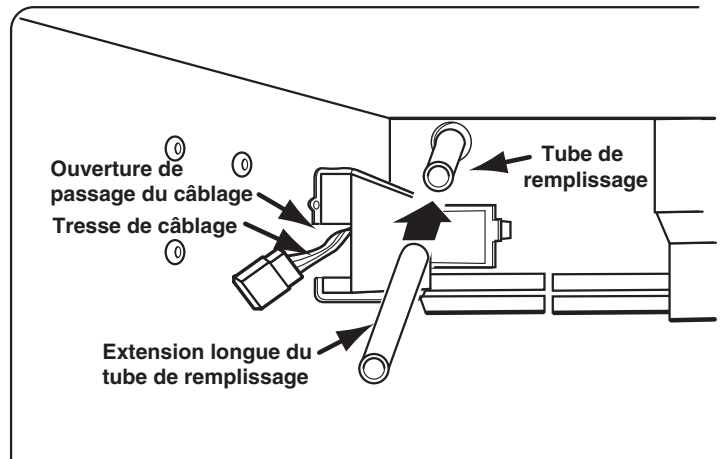


Suppression de l'étiquette et du bouchon de mousse



Voir le diagramme adjacent au sujet de l'étape suivante. Il sera nécessaire de travailler à l'intérieur du compartiment de congélation.

1. Installer l'extension de plastique - faire glisser le composant d'extension sur le tube de remplissage, aussi loin qu'il peut aller.

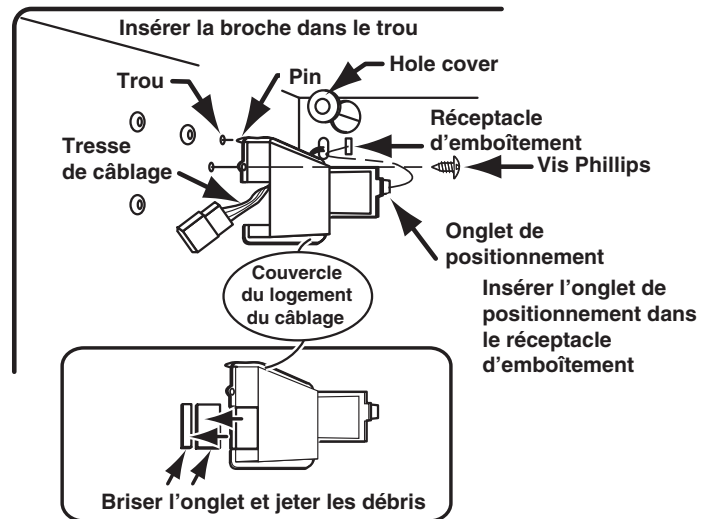


Installation de l'extension longue du tube de remplissage

Voir le diagramme adjacent au sujet de l'étape suivante.

2. Positionner la tresse de câblage pour la placer à travers l'ouverture du couvercle du logement du câblage. Insérer l'onglet de positionnement qui se trouve à l'arrière du couvercle du logement du câblage dans le réceptacle d'emboîtement correspondant sur la doublure du congélateur. Enfoncer la broche (sur le côté du couvercle du logement du câblage) dans le trou (sur le côté de la doublure du congélateur); veiller à obtenir un bon emboîtement. Fixer le couvercle du logement du câblage avec la vis Phillips qui avait été déposée précédemment.

Passer à la section "Installation des agrafes du tube de cuivre malléable" à la page 36.



Réinstallation du couvercle du logement du câblage de la machine à glaçons

Modèle à compartiments superposés

Voir les diagrammes adjacents au sujet des 2 étapes suivantes. Il sera nécessaire de travailler à l'intérieur du compartiment de congélation.

1. Pour un modèle avec goulotte de remplissage pour la machine à glaçons, et couvercle du logement du câblage :

Ôter la vis de fixation du couvercle du logement du câblage de la machine à glaçons. Appuyer en haut et en bas pour libérer et dégager les pattes de positionnement. Ôter et jeter le couvercle du logement du câblage de la machine à glaçons.

Pour un modèle avec couvercle plat :

Ôter la vis de fixation du couvercle du logement du câblage de la machine à glaçons. Décrocher l'onglet de positionnement du côté droit du bord du couvercle arrière. Ôter le couvercle du logement du câblage de la machine à glaçons.

Examiner le côté arrière du couvercle plat du logement du câblage, et noter les rainures. Utiliser une pince et exercer des flexions alternées au niveau des rainures pour briser le matériau et détacher la partie amovible.

2. Tirer le câblage (4 conducteurs) de la machine à glaçons aussi loin que possible depuis le panneau arrière du congélateur, et placer le câblage en suspension sur le bord de l'ouverture découpée. Ne faire sortir aucun autre élément de câblage travers l'ouverture découpée.

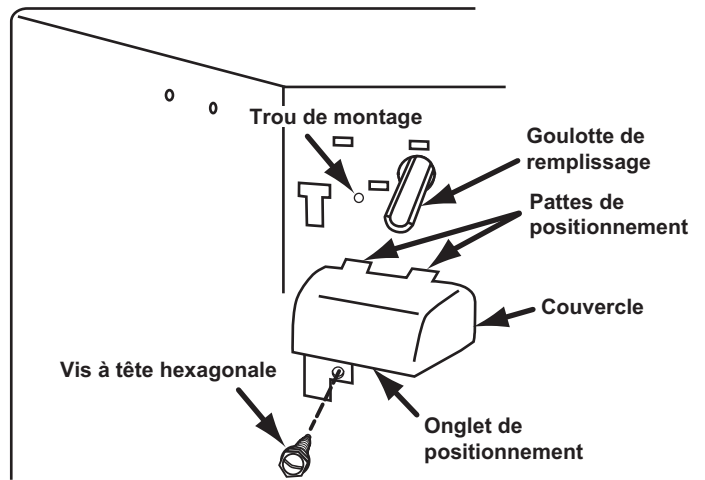
Voir les diagrammes adjacents au sujet de l'étape suivante. Il sera nécessaire de travailler à l'arrière de la caisse du réfrigérateur.

3. À l'arrière de la caisse du réfrigérateur, décoller l'étiquette qui recouvre le trou de passage du tube de remplissage.

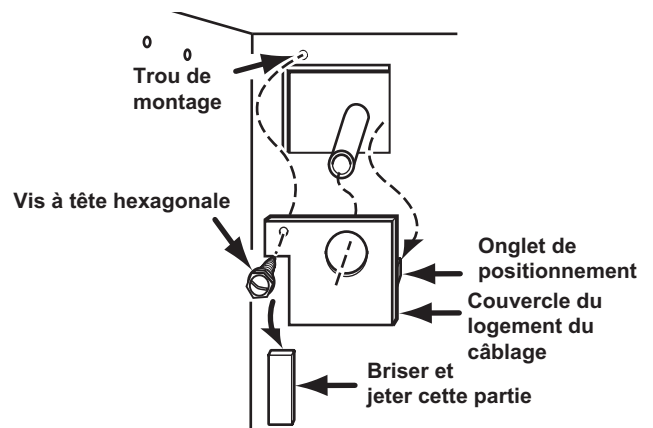
SEULEMENT pour un modèle à congélateur en haut, de 11 pi³ (ensemble 24ECKMF)

Installer la "bride de support du tube de remplissage" sur la paroi arrière du réfrigérateur; utiliser comme référence les trous dans la paroi arrière du réfrigérateur. Insérer le tube de remplissage à travers le trou de la "bride de support du tube de remplissage" avec bec verseur; effectuer un mouvement de torsion pour caler le bec verseur en place.

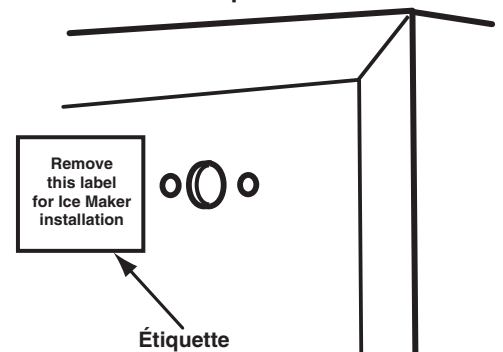
Vérifier que le bec verseur est maintenu en place par les pattes de retenue sur la "bride de support du tube de remplissage". Pour ce type d'installation, aucune vis n'est utilisée sur le bec verseur; les vis seront insérées dans la "bride de support du tube de remplissage".



Dépose du couvercle du logement du câblage - modèle avec goulotte de remplissage

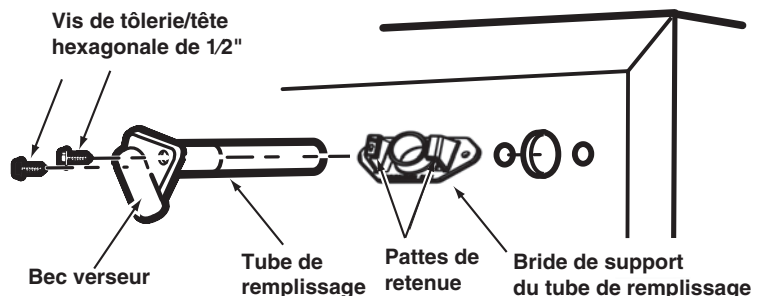


Dépose du couvercle du logement du câblage - couvercle plat



(Enlever cette étiquette pour l'installation de la machine à glaçons)

Dépose de l'étiquette



Installation de l'ensemble tube de remplissage/bride de support du tube de remplissage (modèles de 11 pi³)

Modèle à compartiments superposés (suite)

Voir les diagrammes adjacents au sujet des étapes suivantes.

3. (suite)

Modèle à congélateur en haut et modèle à congélateur en bas (de 14 à 18 pi³)

Dans l'ensemble de machine à glaçons, identifier le tube de remplissage et le joint de mousse rond (le joint peut avoir déjà été installé sur le tube de remplissage); si cela n'est pas déjà fait, enfiler le joint sur l'extrémité du tube de remplissage.

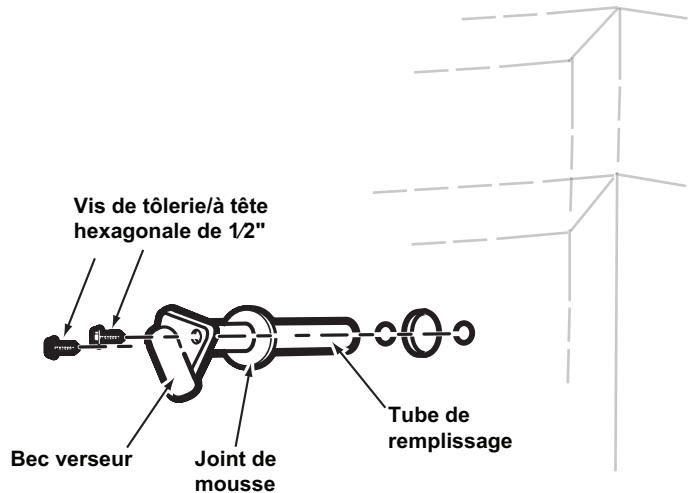
Insérer le tube de remplissage à travers le trou à l'arrière du réfrigérateur; le bec verseur doit être orienté vers le bas. Fixer le tube de remplissage avec deux vis de tôlerie/à tête hexagonale de 1/2".

Voir les diagrammes adjacents au sujet des étapes suivantes. Il sera nécessaire de travailler à l'intérieur du compartiment de congélation.

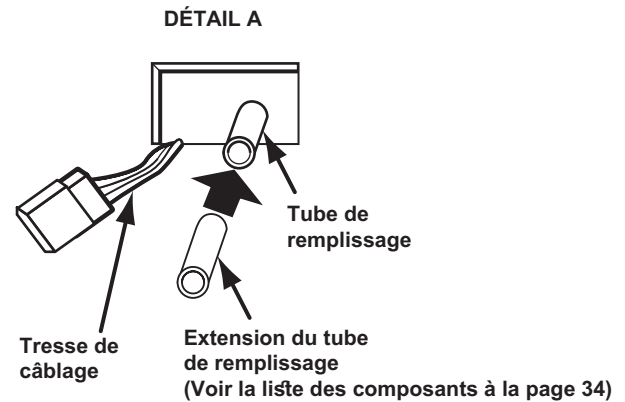
4. Enfiler l'extension en plastique du tube de remplissage (voir la liste des composants à la page 30) sur l'extrémité du tube de remplissage, aussi loin qu'elle peut aller (voir DÉTAIL A).

REMARQUE : L'extension en plastique du tube de remplissage n'est pas nécessaire pour un modèle avec goulotte de remplissage.

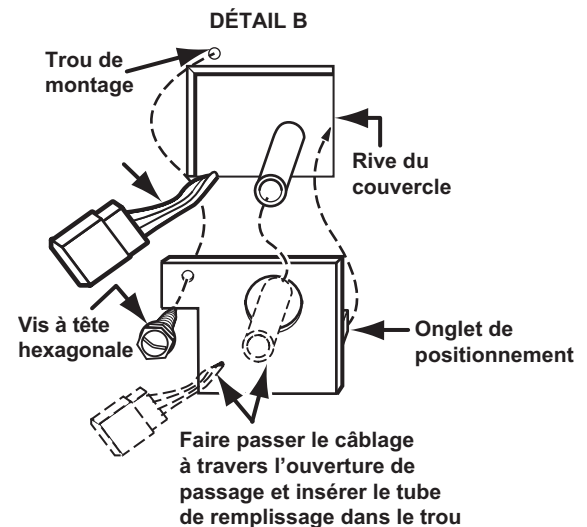
5. **Couvercle du logement du câblage - couvercle plat :** Installer le couvercle du logement du câblage par-dessus le tube de remplissage - faire passer la tresse de câblage à travers l'ouverture de passage. Insérer l'onglet de positionnement sur le côté du couvercle du logement du câblage dans le réceptacle d'emboîtement correspondant dans le panneau arrière du congélateur; assujettir le couvercle avec la vis déposée précédemment (voir DÉTAIL B).



Installation de l'ensemble tube de remplissage/joint (Modèles à congélateur en bas - 14 à 18 pi³)



Installation de l'extension du tube de remplissage



Réinstallation du couvercle du logement du câblage

Installation des agrafes de retenue du tube de cuivre malléable

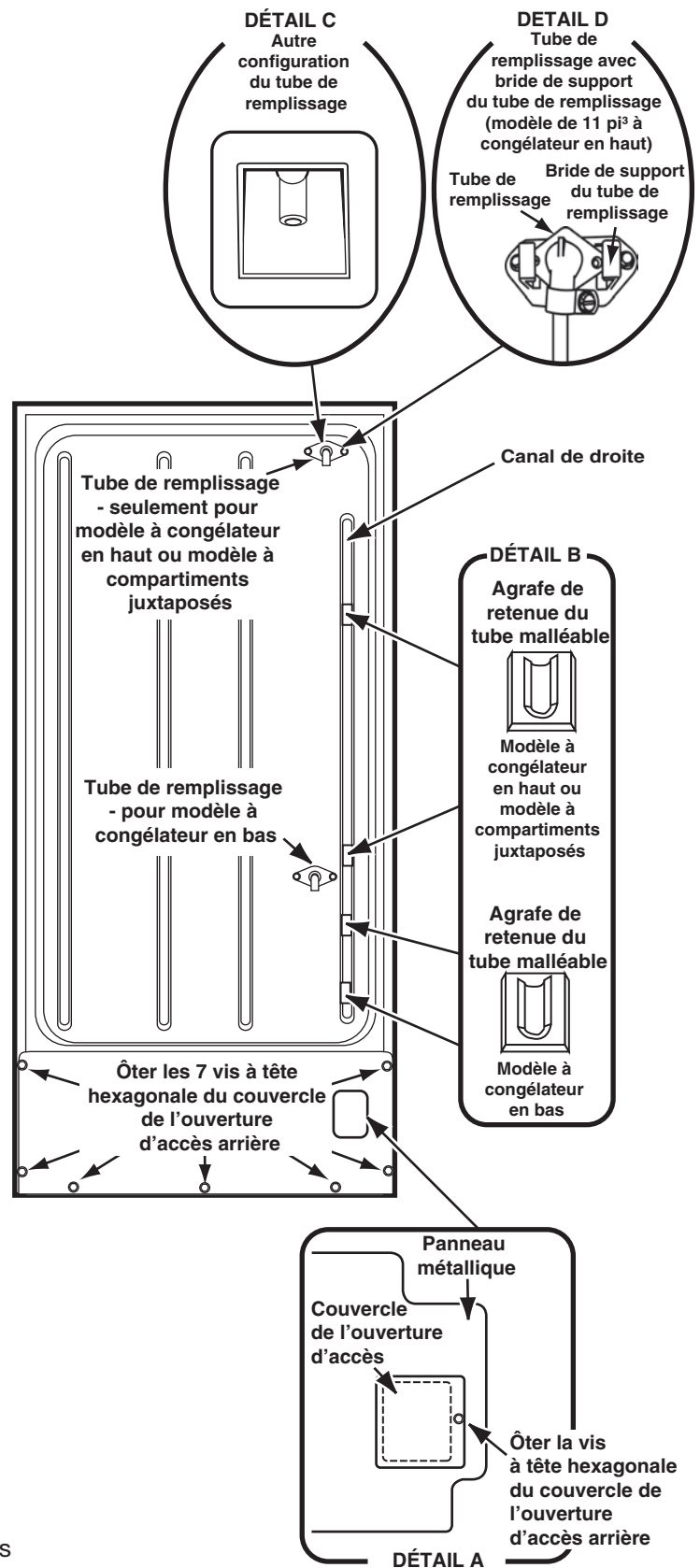
Voir le diagramme adjacent au sujet des étapes suivantes.

1. Ôter les sept vis à tête hexagonale du couvercle de l'ouverture d'accès arrière; ôter le couvercle et conserver celui-ci à part.

REMARQUE : Dans le cas d'un appareil récent avec panneau métallique, (voir DÉTAIL A), ôter la vis à tête hexagonale du couvercle de l'ouverture d'accès. Jeter le couvercle et la vis. Ne pas ôter les 7 vis à tête hexagonale du couvercle de l'ouverture d'accès de plus grande taille.

2. Ôter la feuille de protection de la surface adhésive des agrafes de retenue du tube de cuivre malléable. Apposer les agrafes contre l'arrière de la caisse du réfrigérateur, dans le canal de droite, approximativement aux emplacements identifiés sur le DÉTAIL B. Centrer les agrafes entre le tube de remplissage et le sommet de l'ouverture d'accès. Les illustrations DÉTAIL C et DÉTAIL D présentent une autre configuration du tube de remplissage (pour un modèle de 11 pi³ à congélateur en haut, avec tube de remplissage et bride de support du tube de remplissage).

Pour un modèle à congélateur en bas, passer à la page 37.
 Pour un appareil à compartiments juxtaposés ou un modèle à congélateur en haut, passer à la page 38.



* Pour installation seulement dans un modèle à compartiments juxtaposés (côte à côte).

** Pour installation dans un modèle à congélateur en haut (de 14 à 18 pi³).

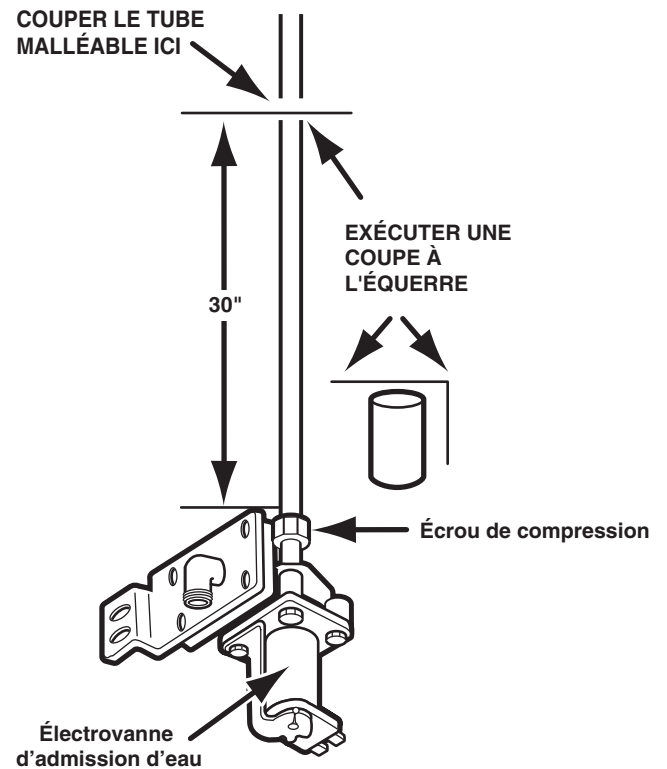
*** Pour installation seulement dans un modèle à congélateur en haut (de 11 pi³) (ensemble 24ECKMF).

Installation des agrafes de retenue du tube de cuivre malléable

Préparation du tube de l'électrovanne d'admission d'eau (seulement pour un modèle à congélateur en bas)

Voir le diagramme adjacent au sujet des étapes suivantes.

1. Enlever le ruban du tube souple en spirale provenant du robinet, puis redresser ce dernier.
2. Depuis le sommet de l'écrou de compression sur l'électrovanne d'admission d'eau, mesurer une distance de 30" sur le tube de cuivre malléable; marquer l'emplacement correspondant sur le tube de cuivre malléable avec un stylo.
3. Utiliser une paire de ciseaux ou un couteau de bricolage pour exécuter une coupe à l'équerre à travers le tube de l'électrovanne d'admission d'eau, à l'emplacement marqué à l'étape précédente (dimension de 30"); jeter l'excès de tube malléable.



Préparation du tube de l'électrovanne d'admission d'eau (seulement pour un modèle à congélateur en bas)

Montage de l'électrovanne d'admission d'eau

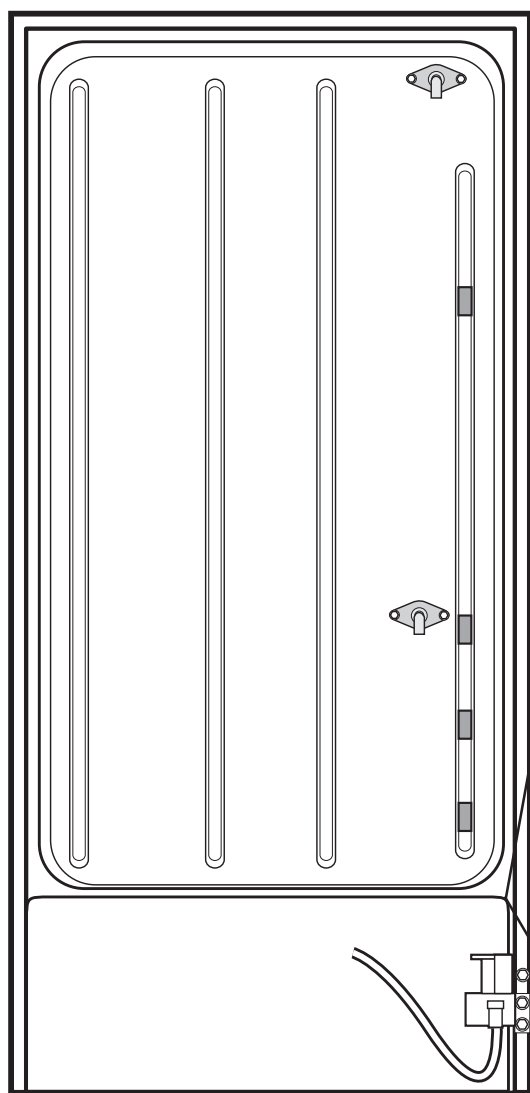
Voir le diagramme ci-dessous au sujet des étapes suivantes.

REMARQUE : Seulement pour un modèle de 11 pi³ à congélateur en haut, utiliser une attache de câblage pour assujettir ensemble le tube capillaire et le module d'assèchement. L'installateur devrait exécuter cette opération avant d'installer l'électrovanne d'admission d'eau, pour disposer de plus d'espace pour l'installation de l'électrovanne d'admission d'eau. L'installateur devrait veiller à placer tout le tube mince parallèlement à la caisse du réfrigérateur (paroi latérale du réfrigérateur); ainsi, aucune partie du tube de cuivre ne sera au-dessus du connecteur de l'électrovanne (voir DÉTAIL A).

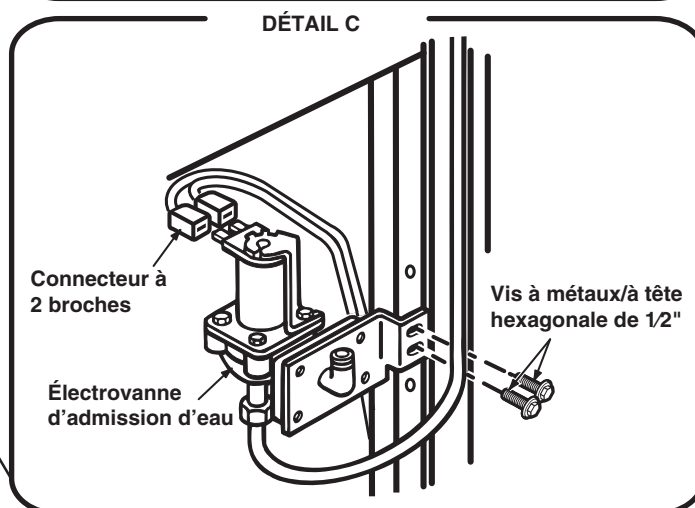
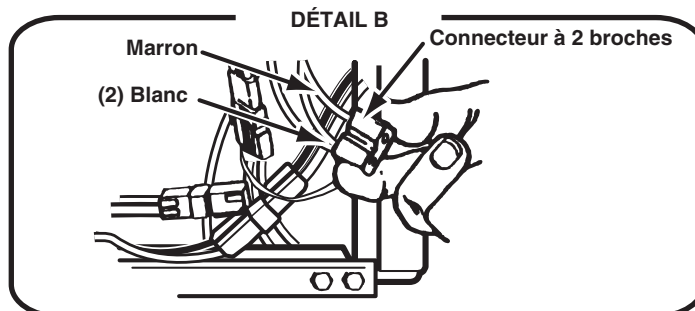
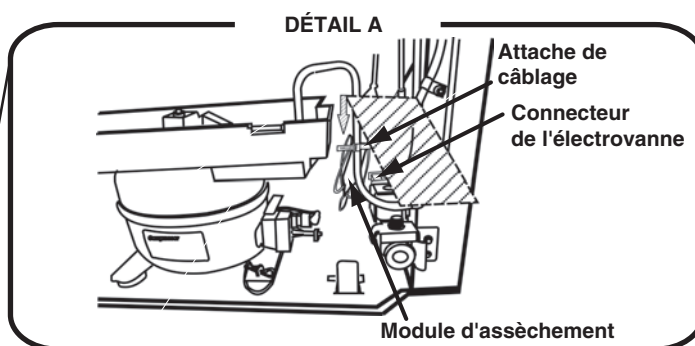
1. Identifier le connecteur électrique à 2 broches de l'électrovanne d'admission d'eau (avec conducteur marron et deux conducteurs blancs) assujetti avec du ruban adhésif sur.

la tresse de câblage principale dans l'angle inférieur droit de l'ouverture d'accès arrière (voir DÉTAIL B).

2. Voir le DÉTAIL C - Brancher le connecteur sur les broches de connexion de l'électrovanne d'admission d'eau - enfoncer aussi loin que possible (si la tresse de câblage n'est pas suffisamment longue, briser le ruban adhésif qui l'assujettit à la tresse de câblage principale). Le connecteur n'est pas polarisé.
3. Voir le DÉTAIL C - Fixer l'électrovanne d'admission d'eau sur la caisse du réfrigérateur, avec deux vis à métaux/à tête hexagonale de 1/2" - utiliser les trous de montage présents dans le châssis de la caisse du réfrigérateur. Veiller à bien serrer les deux vis de fixation.



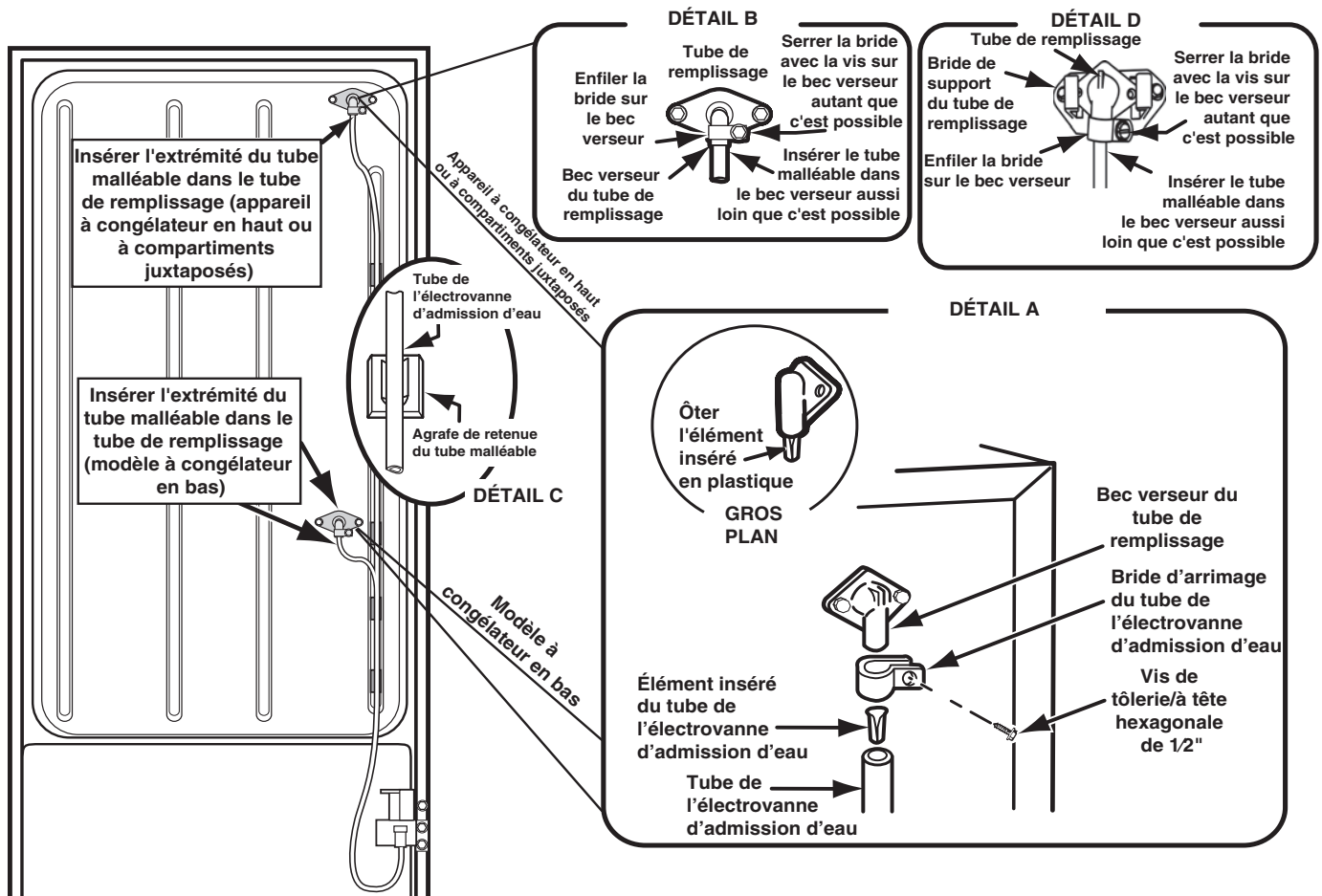
Montage de l'électrovanne d'admission d'eau



Raccordement du tube de l'électrovanne d'admission d'eau

Voir le diagramme ci-dessous au sujet des étapes suivantes.

1. Voir l'illustration DÉTAIL A - Extraire l'élément inséré en plastique du bec verseur du tube de remplissage; jeter cet élément inséré.
2. Trouver la bride d'arrimage du tube de l'électrovanne d'admission d'eau (dans l'ensemble de la machine à glaçons); noter que l'un des trous est conçu pour recevoir une vis filetée, et que l'autre trou est lisse. Positionner la bride pour que le trou lisse soit orienté vers le haut; enfiler la bride sur l'extrémité du bec verseur (voir DÉTAILS A, B et D). Insérer une vis de tôlerie/à tête hexagonale de 1/2" dans la bride; visser avec les doigts aussi loin que possible; on serrera cette vis plus tard.
3. Voir le DÉTAIL A - Positionner l'élément inséré métallique du tube d'arrivée d'eau selon l'indication de l'illustration; enfoncer complètement l'élément inséré dans le tube de l'électrovanne d'admission d'eau.
4. Voir les DÉTAILS B et D - Insérer l'extrémité du tube de cuivre malléable dans l'extrémité du bec verseur du tube de remplissage (aussi loin qu'il peut aller) (si le tube de cuivre malléable semble ne pas être suffisamment long, tirer le tube autant que c'est nécessaire à travers les agrafes), puis serrer au maximum la vis de serrage de la bride d'arrimage du tube de cuivre malléable. Tirer sur le tube de cuivre malléable pour vérifier qu'il est bien assujéti; si le tube glisse hors du bec verseur, réinsérer le tube dans le bec verseur et serrer encore la bride, jusqu'à ce que le tube de cuivre malléable soit solidement fixé.
5. Emboîter le tube de cuivre malléable dans les deux agrafes (voir DÉTAIL C) installées précédemment à l'arrière de la caisse du libre du tube de cuivre malléable.
6. Tirer tout excès de tube malléable près du tube de remplissage, vers le bas à travers les deux brides, pour former un segment rectiligne et une boucle en bas de l'électrovanne d'admission d'eau.



Raccordement du tube de l'électrovanne d'admission d'eau au tube de remplissage

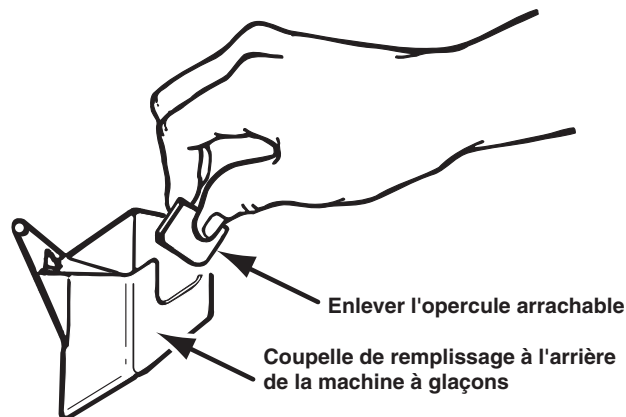
Mounting the ice maker

Voir le diagramme adjacent au sujet de l'étape suivante.

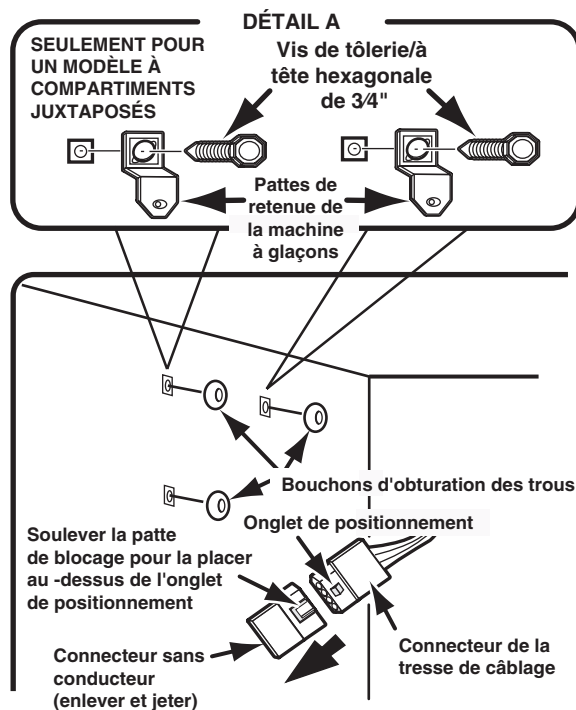
1. Examiner la coupelle de remplissage de la machine à glaçons; noter la rainure en "U" à l'arrière (il peut également y avoir des rainures sur un côté ou l'autre). À la force des doigts (ou utiliser une pince si c'est plus facile), enlever uniquement l'opercule arrachable à l'arrière de la coupelle. Effectuer un mouvement de flexion alternative sur la ligne de jointure (rainure) pour détacher l'opercule; lors de l'installation de la machine à glaçons, le tube de remplissage passera par cette ouverture ainsi libérée.

Voir le diagramme adjacent au sujet des étapes suivantes.

1. Ôter et jeter le connecteur sans conducteur de la tresse de câblage; pour l'ôter, soulever la patte de blocage sur le côté du connecteur sans conducteur pour la placer au-dessus de l'onglet de positionnement du connecteur de la tresse de câblage, et tirer sur le connecteur sans conducteur pour l'enlever.
2. Insérer l'extrémité d'un petit tournevis à lame plate sous le bord de chaque bouchon dans les trois trous de montage de la machine à glaçons, sur le côté de la doublure du congélateur, et extraire chaque bouchon de son trou. Jeter les bouchons.
3. Seulement pour un appareil à compartiments superposés : Insérer partiellement deux vis de tôlerie/à tête hexagonale de 3/4" dans les deux trous de montage supérieurs (voir l'illustration) dans la doublure du congélateur; plus tard, on suspendra la machine à glaçons à ces deux vis; il faut donc veiller à ce que les deux vis soient placées suffisamment en saillie.
4. Seulement pour un appareil à compartiments juxtaposés : Voir le DÉTAIL A; fixer les deux pattes de retenue de la machine à glaçons (présentes dans l'ensemble de la machine à glaçons); utiliser les trous de montage supérieurs dans la doublure du congélateur, et deux vis de tôlerie/à tête hexagonale de 3/4". Veiller à ce que les deux pattes de retenue soient correctement orientées vers le bas, puis serrer les vis.



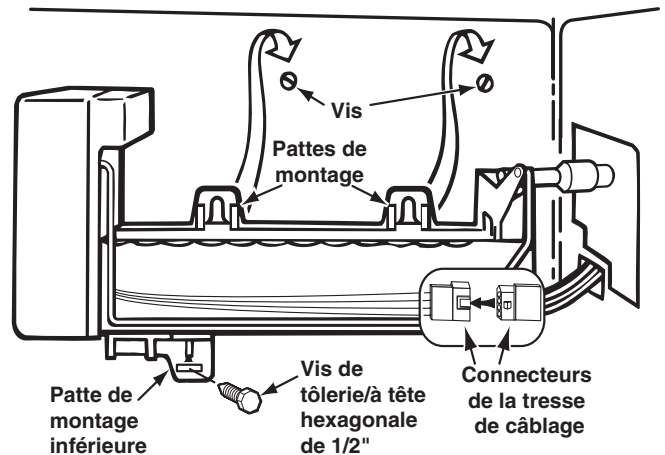
Suppression de l'opercule arrachable



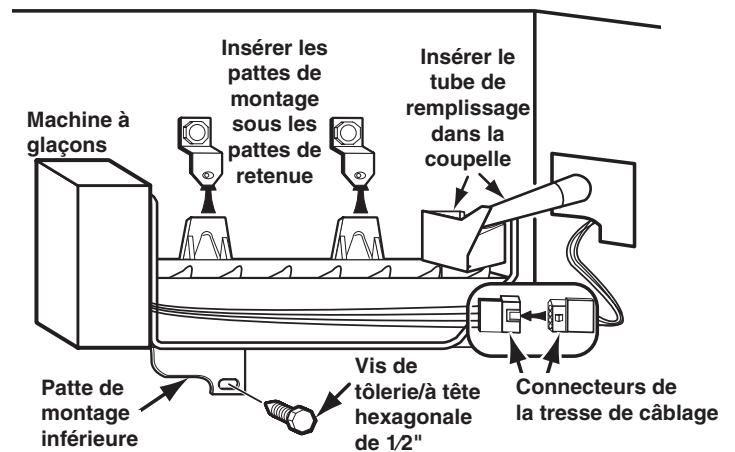
Installation des pattes de retenue de la machine à glaçons

Voir les diagrammes adjacents au sujet des étapes suivantes.

1. Positionner la machine à glaçons à l'intérieur du compartiment de congélation, et raccorder/verrouiller ensemble son connecteur de câblage et le connecteur de la tresse de câblage (la patte de blocage se calera au-dessus de l'onglet de positionnement en saillie). Une seule orientation relative des deux parties du connecteur permet leur emboîtement.
2. Seulement pour un appareil à compartiments superposés : Suspendre la machine à glaçons sur les deux vis à tête hexagonale qui ont été installées précédemment. Veiller à ce que le trou de la patte de montage inférieure soit aligné avec le trou de montage dans la doublure du congélateur, puis serrer les deux vis supérieures à tête hexagonale. Veiller à ne pas serrer excessivement les vis.
3. Seulement pour un appareil à compartiments juxtaposés : Positionner la machine à glaçons de telle manière que les pattes de montage supérieures et inférieure soient à plat contre la doublure du congélateur. Centrer les pattes de montage supérieures sous les deux pattes de retenue, et pousser la machine à glaçons en ligne droite vers le haut pour emboîter les pattes de montage sur les pattes de retenue et obtenir le blocage approprié sur place (on doit percevoir le déclic lorsque l'emboîtement se produit).
4. Fixer la patte de montage inférieure de la machine à glaçons sur la doublure du congélateur - utiliser le trou de montage dans la doublure de l'appareil et une vis de tôlerie à tête hexagonale de 3/4".



**Montage de la machine à glaçons
(Appareil à congélateur en haut ou
appareil à congélateur en bas)**

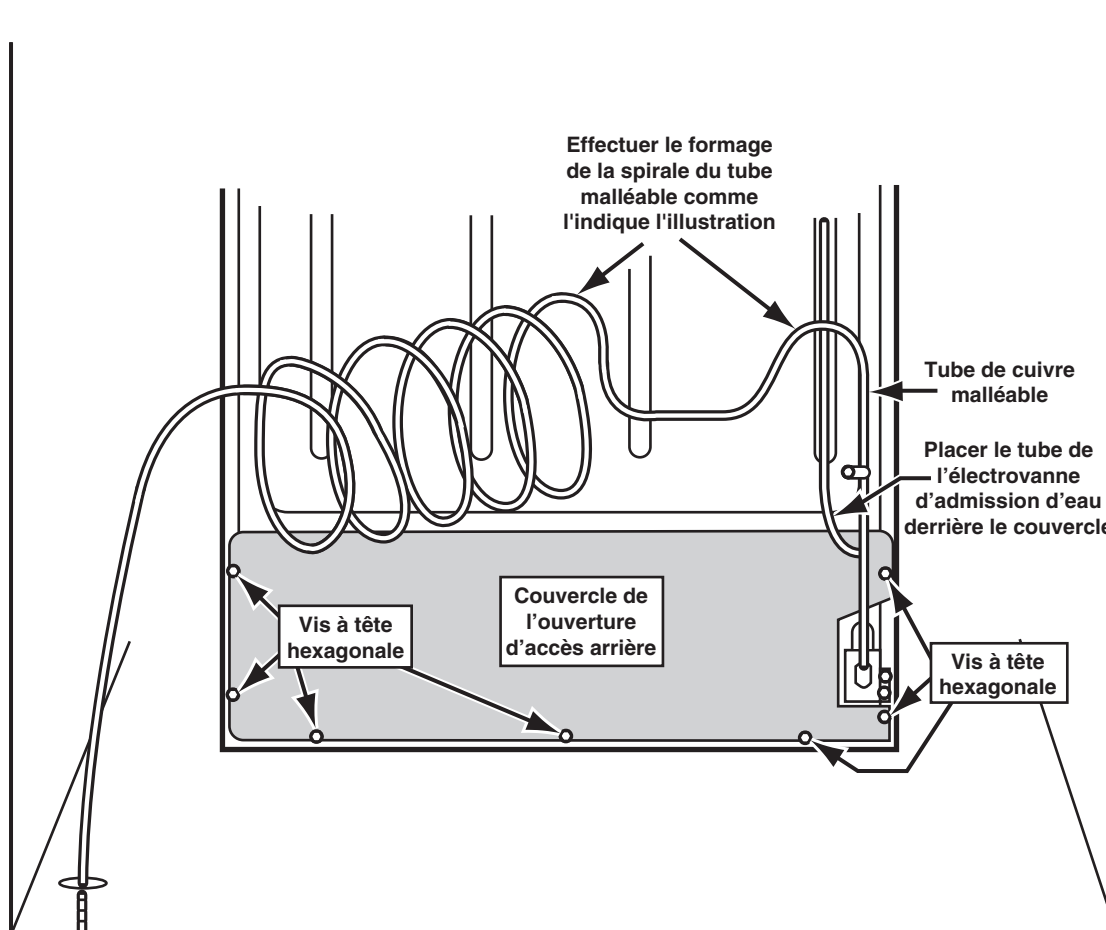


**Montage de la machine à glaçons (Modèle à
compartiments juxtaposés)**

Dernières étapes de l'installation

Installation du couvercle de l'ouverture d'accès et formage du tube de cuivre malléable

1. Réinstaller le couvercle de l'ouverture d'accès arrière sur le réfrigérateur – il faudra que le tube de l'électrovanne d'admission d'eau soit à l'intérieur sous le couvercle, et que la canalisation d'arrivée d'eau en cuivre soit à l'extérieur (voir le diagramme ci-dessous); fixer ensuite le couvercle avec les sept vis à tête hexagonale qui ont été déposées précédemment.
2. Former une spirale avec le tube de cuivre malléable, à partir de l'électrovanne d'admission d'eau, comme on le voit sur l'illustration. Positionner la spirale de tube de cuivre malléable près du centre de l'appareil, pour que la spirale puisse se déployer et se contracter en "accordéon" (voir le diagramme ci-dessous) lorsqu'on écarte l'appareil du mur et lorsqu'on le rapproche du mur.



Installation du couvercle de l'ouverture d'accès et formage du tube de cuivre malléable

Raccordement à la conduite d'eau

Lire toutes les instructions avant de commencer.

IMPORTANT :

- Brancher sur une alimentation en eau potable uniquement.

Ne pas utiliser pour le filtrage d'une eau microbiologiquement polluée ou de qualité inconnue en l'absence d'un dispositif de désinfection adéquat avant ou après le système. Les systèmes certifiés pour la réduction de kyste peuvent être utilisés pour l'eau désinfectée qui peut contenir des kystes filtrables.

- Réaliser l'installation de plomberie conformément aux prescriptions du International Plumbing Code et des normes et codes locaux en vigueur.
- Il est possible d'utiliser des raccords en cuivre ou en polyéthylène réticulé pour le raccordement de la conduite d'eau du domicile au réfrigérateur ; ils contribuent à éviter que l'eau ait un goût ou une odeur désagréable. Vérifier qu'il n'y a pas de fuites.
- Si on utilise un tube en polyéthylène réticulé au lieu d'un tube en cuivre, nous recommandons les numéros de pièce suivants : W10505928RP (PEX chemisé de 7 pi [2,14 m]), 8212547RP (PEX de 5 pi [1,52 m]), ou W10267701RP (PEX de 25 pi [7,62 m]).
- Installer des tubes seulement là où les températures resteront au-dessus du point de congélation.

Outils requis :

Rassembler les outils et pièces nécessaires avant d'entreprendre l'installation.

- Tournevis à tête plate
- Clés plates de 7/16 po et 1/2 po ou 2 clés à molette
- Tourne-écrou de 1/4 po

REMARQUE : Ne pas employer de robinet d'arrêt à étrier de 3/16 po (4,76 mm) ou de type à percer, car cela réduit le débit d'eau et augmente le risque d'obstruction.

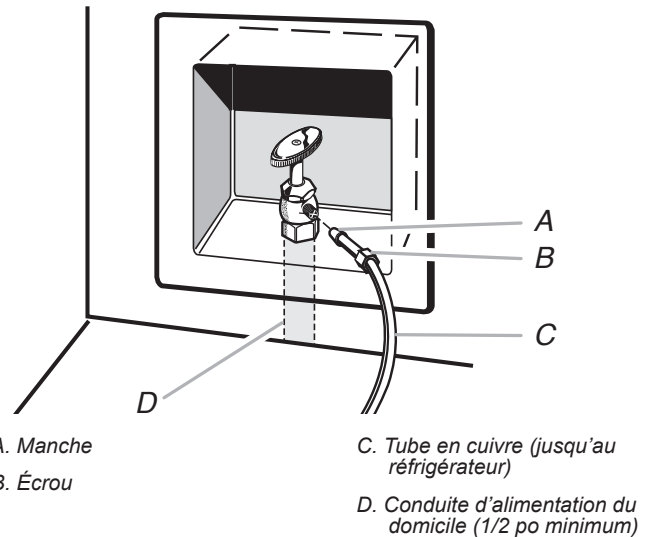
Raccordement à la conduite d'eau

IMPORTANT : Si le réfrigérateur est mis en marche avant de raccorder la conduite d'eau, mettre la machine à glaçons à l'arrêt.

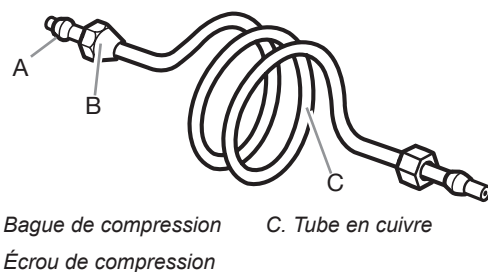
1. Débrancher le réfrigérateur ou déconnecter la source de courant électrique.
2. Couper l'alimentation principale en eau. Ouvrir le robinet le plus proche suffisamment longtemps pour réduire la pression de l'eau dans la conduite d'eau.

3. Utiliser un robinet d'arrêt quart de tour ou équivalent alimenté par une conduite d'alimentation domestique de 1/2 po.

REMARQUE : Pour que le réfrigérateur reçoive un débit d'eau suffisant, on recommande l'emploi d'une conduite d'alimentation domestique en cuivre de 1/2 po (12,7 mm).



4. Il est maintenant possible de connecter le tube en cuivre au robinet d'arrêt. Utiliser un tube en cuivre de 1/4 po (6,35 mm) (diamètre externe) pour raccorder le robinet d'arrêt au réfrigérateur.
5. S'assurer d'avoir la longueur nécessaire pour une installation correcte. Il faut s'assurer que les deux extrémités du tube en cuivre sont bien coupées à angle droit.
6. Installer la bague et l'écrou à compression sur le tube en cuivre comme indiqué. Insérer l'extrémité du tube aussi profondément que possible dans l'extrémité de sortie et à l'équerre. Visser l'écrou de compression sur l'extrémité de sortie du raccord à l'aide d'une clé à molette. Ne pas serrer excessivement.



- Placer l'extrémité libre du tube dans un contenant ou un évier et rétablir l'alimentation principale en eau pour nettoyer le tuyau jusqu'à ce que l'eau soit limpide. Fermer le robinet d'arrêt sur le tuyau d'alimentation en eau.

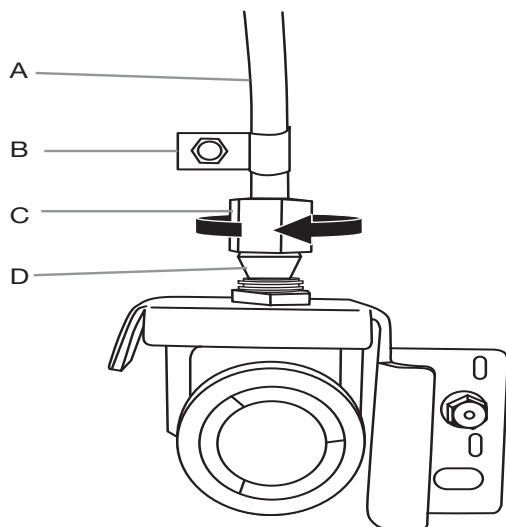
Remarque : Toujours vidanger la conduite d'alimentation en eau avant de faire le raccordement final sur l'entrée du robinet pour éviter tout mauvais fonctionnement éventuel du robinet.

- Courber le tube en cuivre de façon à le raccorder à l'arrivée de la conduite d'eau située à l'arrière de la caisse du réfrigérateur, comme illustré. Laisser une partie du tube en cuivre enroulée pour permettre de dégager le réfrigérateur de la caisse ou du mur en cas de dépannage.

Raccordement au réfrigérateur

Suivre les instructions relatives au modèle utilisé pour le raccordement.

- Ôter le bouchon de plastique de l'orifice d'entrée d'eau. Raccorder le tube en cuivre au robinet d'arrivée d'eau à l'aide d'un écrou et d'une bague de compression, comme illustré. Serrer l'écrou de compression. Ne pas serrer excessivement. Vérifier la solidité du raccordement en tirant sur le tube en cuivre.
- Créer une boucle de service avec le tube en cuivre. Éviter de déformer le tube en cuivre en l'enroulant. Fixer le tube en cuivre au panneau arrière avec une pince en « P », en utilisant la vis d'origine dans la fente du panneau au-dessus de l'électrovanne.



A. Tube en cuivre

C. Écrou à compression

B. Bride en « P »

D. Bague de compression

- Ouvrir l'arrivée d'eau alimentant le réfrigérateur et vérifier l'absence de fuites. Éliminer toute fuite détectée.

Rétablissement de l'alimentation électrique /réglage de l'aplomb de l'appareil

⚠ AVERTISSEMENT



Risque de choc électrique

Brancher sur une prise à 3 alvéoles reliée à la terre.

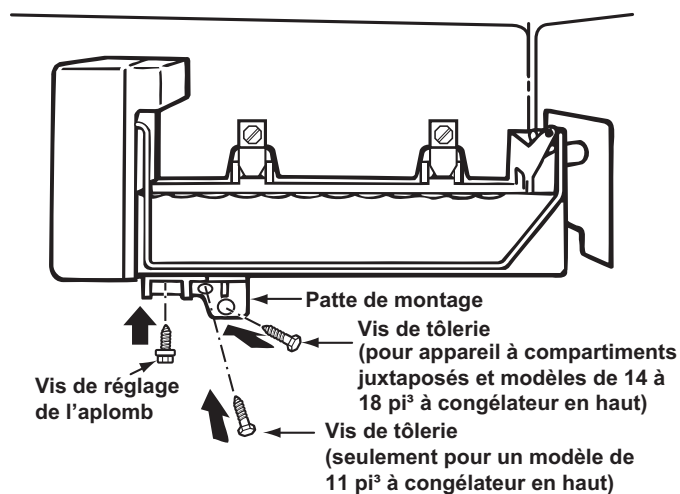
Ne pas enlever la broche de liaison à la terre.

Ne pas utiliser un adaptateur.

Ne pas utiliser un câble de rallonge.

Le non-respect de ces instructions peut causer un décès, un incendie ou un choc électrique.

1. Brancher le cordon d'alimentation de l'appareil sur une prise de courant CA; pousser prudemment le réfrigérateur vers le mur arrière.
2. Placer un niveau au sommet de la caisse du réfrigérateur. S'il est nécessaire d'ajuster l'aplomb du réfrigérateur, employer le processus de réglage des roulettes avant, décrit dans le "Guide d'utilisation et d'entretien du réfrigérateur".
3. Contrôler la position de la machine à glaçons; si la position est incorrecte et si un ajustement est nécessaire, desserrer les vis de la patte de montage inférieure (voir le diagramme adjacent) et positionner la machine à glaçons à la position correcte, puis resserrer la vis de la patte de montage.



Réglage de l'aplomb la machine à glaçons

Mise en marche de la machine à glaçons

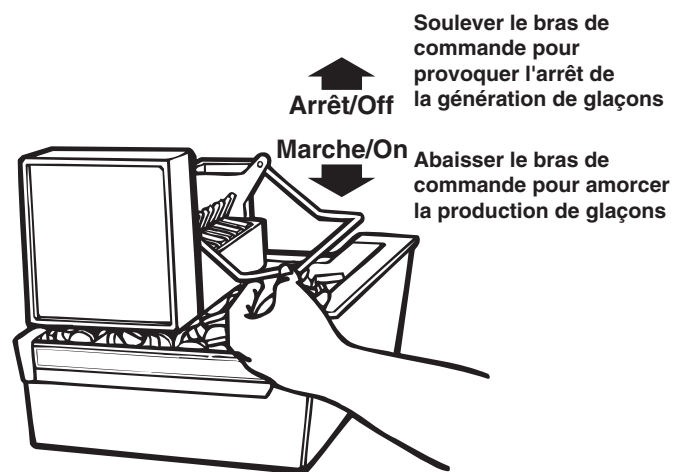
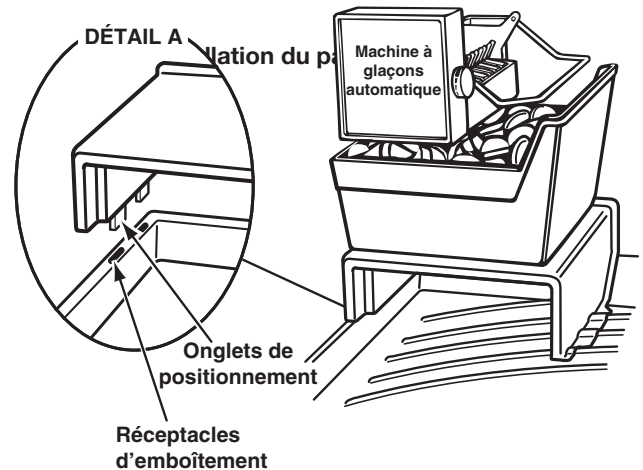
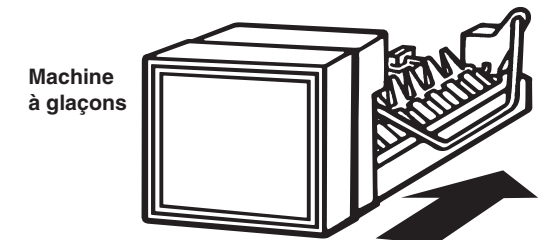
1. Laver le panier à glaçons, et faire glisser le panier sous la machine à glaçons (voir le diagramme adjacent) aussi loin qu'il peut aller. Le panier à glaçons reposera sur le sommet de l'étagère du congélateur.

IMPORTANT : Dans le cas d'un appareil à congélateur en haut, sans étagère de pleine largeur dans le congélateur, il sera nécessaire de placer le panier à glaçons au sommet de l'étagère inversée des casiers à glaçons. Tout d'abord, positionner l'étagère du casier à glaçons face vers le bas, pour que le côté le plus court soit placé le long de la paroi du congélateur (voir DÉTAIL A). Insérer ensuite les onglets de positionnement (sur le côté le plus court de l'étagère) dans les réceptacles d'emboîtement sur le bord du plancher du congélateur; ceci permettra de maintenir l'étagère à la position correcte. Ensuite, placer le panier à glaçons au sommet de l'étagère inversée des casiers à glaçons et faire glisser le panier sous la machine à glaçons (voir le diagramme adjacent). La machine à glaçons ne peut pas fonctionner correctement si le panier à glaçons est placé directement sur le plancher du congélateur.

2. Remettre dans le compartiment de congélation les articles alimentaires qui avaient été retirés précédemment.
3. Abaisser le bras de commande de la machine à glaçons (voir le diagramme adjacent) à sa position de fonctionnement (On) et fermer la porte du congélateur. La machine à glaçons commencera à produire des glaçons dans les 24 heures.

REMARQUE : Il faut généralement attendre environ 24 heures pour que la machine à glaçons commence à produire des glaçons. Lorsque de la glace est disponible, on remarquera peut-être une saveur inhabituelle; si c'est le cas, jeter les deux ou trois premiers lots de glaçons produits; après cela la saveur inhabituelle observée devrait disparaître. En cas de problème, consulter la page "Dépannage" à la page 47.

Ceci termine le processus d'installation de la machine à glaçons.



Mise en marche de la machine à glaçons

Dépannage

Notes sur le fonctionnement de l'appareil

1. L'électrovanne d'admission d'eau de la machine à glaçons comporte un dispositif qui tient lieu de régulateur de pression et contrôle ainsi le débit d'eau. Pour que la machine à glaçons fonctionne correctement, il faut que la pression de l'eau dans le circuit de la résidence soit d'environ 20 à 120 livres par pouce carré (lb/po²). En cas de problème affectant la capacité de la machine à glaçons à produire de la glace, contacter la compagnie locale de distribution d'eau pour demander un contrôle de la pression de distribution.
2. L'électrovanne d'admission d'eau de la machine à glaçons comporte deux éléments de filtrage : une crépine en plastique en forme de panier, et un tamis métallique; pour le nettoyage des deux éléments de filtrage, fermer l'arrivée d'eau et démonter l'électrovanne d'admission d'eau (ce travail peut être confié à un centre de service après-vente local). Si la qualité de l'eau distribuée localement nécessite l'exécution d'un nettoyage périodique, ou si l'eau utilisée provient d'un puits, il pourra être utile d'installer un second dispositif de filtrage de l'eau dans la canalisation d'arrivée d'eau. On peut acquérir un dispositif de filtrage de l'eau chez un revendeur local d'appareils ménagers.

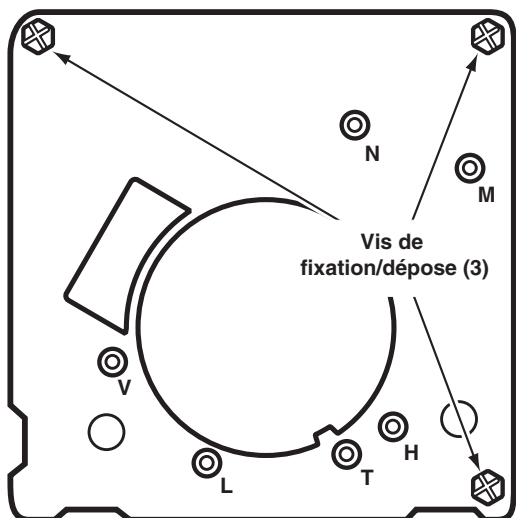
Tableau de diagnostic/dépannage

Le tableau qui suit décrit quelques problèmes usuels qui peuvent survenir et affecter la machine à glaçons.

PROBLÈME	CAUSE
Bruit perceptible (un ou plusieurs des bruits suivants) : <ul style="list-style-type: none">• Bourdonnement• Écoulement d'eau lent• Claquement (émanant des glaçons)	Manoeuvre de l'électrovanne d'admission d'eau. L'eau pénètre dans la coupelle de remplissage de la machine à glaçons. Déversement des glaçons dans le panier à glaçons.
Saveur de "pas frais" des glaçons.	Les glaçons sont vieux. Préparer un nouveau lot de glaçons.
Débordement d'eau dans la machine à glaçons.	Défaut d'aplomb du réfrigérateur ou de la machine à glaçons. Si on observe encore un débordement dans la machine à glaçons après le réglage de l'aplomb, fermer l'arrivée d'eau de la machine à glaçons (au niveau du robinet d'arrêt), et soulever le bras de commande de la machine à glaçons à la position d'arrêt "off" (voir page 50); contacter ensuite le centre de dépannage local.
Quantité de glaçons insuffisante.	Le délai de remplissage du panier à glaçons est d'environ 48 heures. La machine à glaçons produit des glaçons à intervalles de 2 à 3 heures. Pour augmenter la production de glace, régler le thermostat du congélateur pour une plus basse température.
Arrêt de la production de glace.	Veiller à abaisser le bras de commande dans le panier à glaçons (voir page 50). Vérifier que le robinet d'arrêt de la canalisation d'eau est ouvert. Le robinet d'arrêt de la canalisation d'eau ou le tamis de filtrage de l'électrovanne d'admission d'eau est obstrué (contacter le centre local de service après-vente).

Machine à glaçons modulaire - Fiche technique

Points de test sur le module



ÉLÉMENT CHAUFFANT DU MOULE – 185 WATTS, 72 OHMS
 THERMOSTAT – FERMETURE À $17^{\circ} \pm 3^{\circ}$
 (BILAME) OUVERTURE À $32^{\circ} \pm 3^{\circ}$
 REMPLISSAGE D'EAU – 140 CC, 7,5 S
 MOTEUR – 1,5 WATT, 8800 OHMS
 MODULE – CIRCUIT IMPRIMÉ, CONNECTEURS ENFICHABLES
 CYCLE – UNE RÉVOLUTION
 (ÉJECTION ET REMPLISSAGE D'EAU)
 POUR MODÈLE 120 VOLTS

Réglage du niveau d'eau

LA ROTATION DE LA VIS DANS LE SENS HORAIRE RÉDUIT LE REMPLISSAGE D'EAU.

- 1/2 TOUR REPRÉSENTE 20 CC ou 1,2 S
- UNE ROTATION COMPLÈTE REPRÉSENTE 40 CC ou 2,4 S
- L'AMPLITUDE DE RÉGLAGE MAXIMALE CORRESPOND À UNE ROTATION COMPLÈTE DANS UN SENS OU DANS L'AUTRE; UNE ROTATION AU-DELÀ DE CETTE LIMITE POURRAIT FAIRE SUBIR DES DOMMAGES AU MODULE.

CONTRÔLES DU MODULE AVEC UN OHMMÈTRE (MACHINE À GLAÇONS PAS ALIMENTÉE ET LAMES D'ÉJECTION À LA POSITION DE STATIONNEMENT)			
POINTS DE TEST	COMPOSANT	POSITION DU MODULE	OHMS
L-H	ÉLÉMENT CHAUFFANT DU MOULE	FIXATION SUR SUPPORT	72
L-M	MOTEUR	DÉCONNEXION DU SUPPORT	8800

Opérations de dépannage

COUVERCLE

TIRER D'ABORD SUR LE BOUTON DE RÉGLAGE DU DÉBIT D'EAU ET DÉBOÎTER LE COUVERCLE. FAIRE TOURNER LE BOUTON (INDEXAGE) ET RÉINSTALLER À LA MÊME POSITION POUR LE REMPLISSAGE D'EAU.

MODULE, MOTEUR ET ENSEMBLE DE SUPPORT

INSÉRER UN TOURNEVIS PHILLIPS DANS LES OUVERTURES D'ACCÈS DU MODULE. DESSERRER LES DEUX VIS. DÉCONNECTER LE BRAS DE COMMANDE. DÉTACHER LE MOULE DE L'ENSEMBLE DE SUPPORT.

BRAS DE COMMANDE

DÉTACHER DE L'ENSEMBLE DE SUPPORT. RÉINSÉRER À LA POSITION D'ABAISSEMENT COMPLET.

MOULE ET ÉLÉMENT CHAUFFANT

ÔTER MODULE, MOTEUR ET ENSEMBLE DE SUPPORT.

BILAME

ÔTER MODULE, MOTEUR ET ENSEMBLE DE SUPPORT. ENLEVER LES AGRAFES DE RETENUE AVEC LE BILAME.

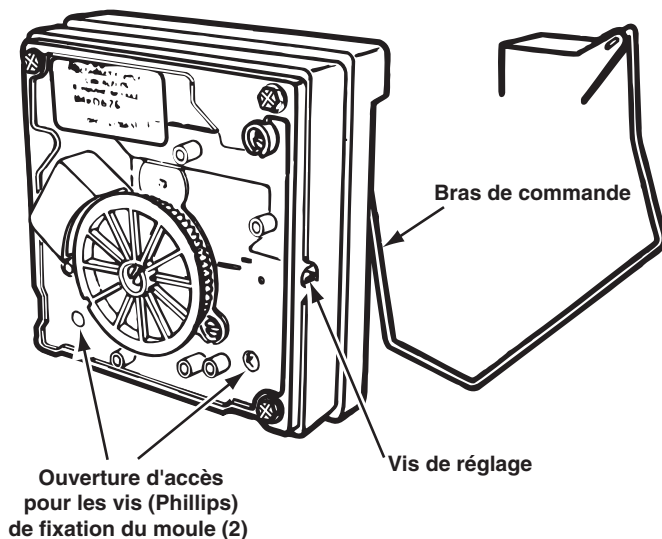
COUPELLE DE REMPLISSAGE

ÔTER MODULE, MOTEUR ET ENSEMBLE DE SUPPORT. ÔTER LES LAMES D'ÉJECTION ET LE BRAS DE COMMANDE. RETIRER LA COUPELLE DE REMPLISSAGE DU MOULE.

LAMES D'ÉJECTION OU DISPOSITIF D'ÉJECTION

ÔTER MODULE, MOTEUR, ENSEMBLE DE SUPPORT. LORS DE LA RÉINSTALLATION DES LAMES D'ÉJECTION, RÉALIGNER CORRECTEMENT L'ÉLÉMENT DE COUPLAGE "D" AVEC LA CAME DE SÉLECTION DU MODÈLE.

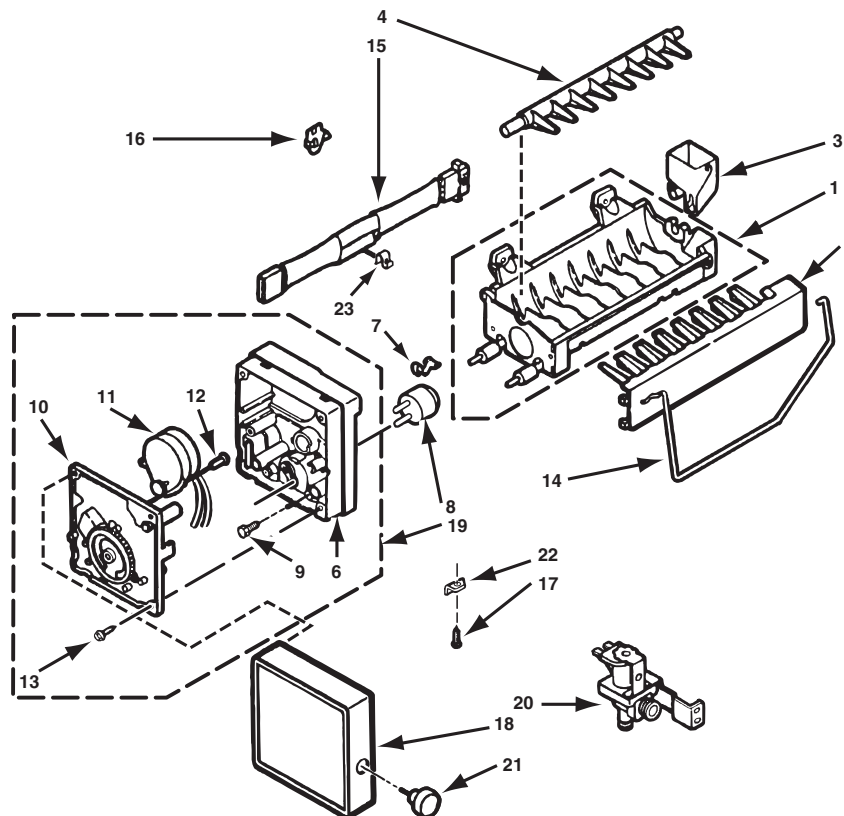
Spécifications



Machine à glaçons - Liste des pièces de rechange

Pour la commande de pièces, utiliser le "numéro de pièce" et non pas le "numéro de repérage".

Numéro de repérage	Numéro de pièce	Description
1	628228	Moule et élément chauffant (ensemble)
3	628356	Palier et entrée
4	627843	Éjecteur
5	627788	Dispositif d'expulsion des glaçons
6	627790	Support
7	627796	Pièce de retenue pour thermostat (2)
8	627985	Thermostat (commander également l'article no 542369, adhésif aluminé)
9	489322	Vis (2), 10-32 x 49/64"
10	628358	Module (ensemble)
11	628258	Moteur
12	489136	Vis (2), 3-24 x 23/64"
13	489276	Vis (3)
14	627792	Bras de commande
15	628256	Tresse de câblage
16	2155021	Patte de retenue pour machine à glaçons
17	489128	Vis, 8-32 x 27/64"
18	1115846	Couvercle
19	628366	Module (ensemble) (incluant les articles 10, 11, et 12)
20	627929	Électro-aimant pour électrovanne
21	1115844	Bouton de commande pour eau
22	628229	Bride de support
23	628379	Agrafe pour fusible thermique



Mac hine à glaçons - Liste des pièces de rechange (suite)

Les pièces suivantes n'apparaissent pas sur l'illustration.
Les pièces dont l'emploi est facultatif ne sont pas incluses dans cette liste.

Numéro de pièce	Description
939529	Plateau à glaçons
837142	Garniture pour plateau à glaçons
1121997	Sac d'accessoires (extérieur)
*836489	Raccord, tube d'admission d'eau
*1106508	Joint d'étanchéité (pas nécessaire pour modèle de 11 pi³ à congélateur en haut)
*488645	Vis n° 8 x 1/2"
*488649	Vis, 8-32 x 1/2"
*841707	Élément inséré en plastique pour tube
*627854	Ensemble Tube, pour électrovanne d'admission d'eau
*537588	Écrou - raccord d'entrée pour électrovanne
*488292	Rondelle
*836074	Amortisseur
*510716	Bride de fixation pour tube
*488366	Bride de fixation pour tube
*488878	Bride de fixation pour tube
*549193	Bride pour cordon d'alimentation (service)
*653499	Tube de plastique
*627018	Écrou et virole (ensemble)
*841707	Élément inséré en plastique, pour tube
**1121995	Sac d'accessoires (intérieur)
**489069	Vis n° 8 x 1/2"
**939027	Tube pour entrée d'eau
944811	Câblage (ensemble, pour machine à glaçons)
W10310299	Plateau à glaçons (pour modèle de 11 pi³ à congélateur en haut)
2174760	Raccord, Tube d'admission d'eau (pour modèle de 11 pi³ à congélateur en haut)
W10315448	Sac d'accessoires (intérieur) (pour modèle de 11 pi³ à congélateur en haut)
W10315444	Tube d'admission d'eau (pour modèle de 11 pi³ à congélateur en haut)

* Composants du sac d'accessoires (extérieur)

** Composants du sac d'accessoires (intérieur)

NOTES

NOTES

NOTES

NOTES

NOTES

