

# MPRE424

## 24" REFRIGERATOR



BrightShield protects against viruses, bacteria, mold and mildew.



### MARVEL PROFESSIONAL COLLECTION

#### MAIN FEATURES

- Models with BrightShield™ antimicrobial lighting create a more hygienic environment for foods and beverages
- 5.5 cu ft. capacity stores up to 20 wine bottles or 162 cans (12-oz)
- Upper zone features 3-in-1 Glide-Out Convertible Shelf with removable glass pane to convert to wine rack
- Half-width shelf allows for tall item storage
- Cantilevered shelving system can hold up to 35 lbs and features 11 adjustable heights
- MaxStore bin stores loose items
- Dynamic cooling technology delivers rapid cool down, frost-free operation, and temperature stability
- Argon-filled, UV-resistant tinted dual pane glass door options protect contents
- Digital controls allow you to select a temperature from 33°F to 70°F
- Door ajar and high/low temperature alerts
- Adjustable LED theater-style lighting in arctic white or sapphire blue (non-BrightShield models)
- Elegant midnight black interior
- Professional styling: Robust full-length handle and stainless steel accents
- Concealed soft close articulating door hinge
- Reversible door allows for right or left swing
- Door lock provides added security
- Panel ready model requires 3/4" or 5/8" custom panel and handle (not supplied by Marvel)

#### FINISH OPTIONS



DOOR STYLE	MODEL NUMBER
Stainless Steel Frame Glass	MPRE424-SG31A
Panel Ready Frame Glass	MPRE424-IG31A
Solid Stainless Steel	MPRE424-SS31A
Solid Panel Ready	MPRE424-IS31A

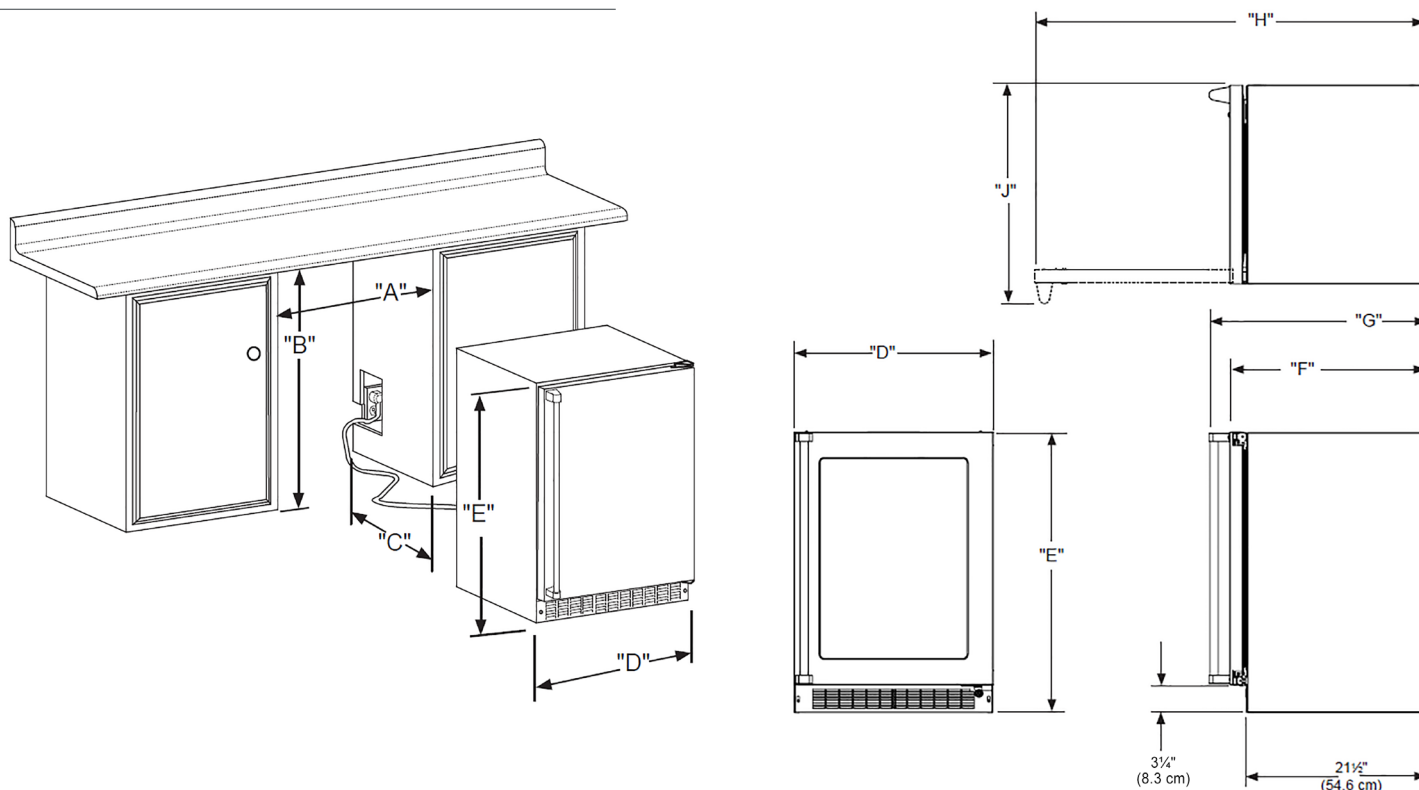
BRIGHTSHIELD™ MODELS	MODEL NUMBER
Stainless Steel Frame Glass	MPRE424-SG81A
Panel Ready Frame Glass	MPRE424-IG81A
Solid Stainless Steel	MPRE424-SS81A
Solid Panel Ready	MPRE424-IS81A

#### WARRANTY

- 3-year parts and labor warranty with product registration and 5-year sealed system parts warranty (see complete warranty for details)



## DIMENSIONAL DRAWINGS



### ROUGH IN DIMENSIONS\*

"A"	"B"	"C"
24"	34" to 35"	24"
(61 cm)	(86.4 cm to 88.9 cm)	(61 cm)

### CABINET DIMENSIONS\*

"D"	"E"	"F"	"G"	"H"	"J"
23-7/8"	33-3/4" to 34-3/4"	23-5/8"*	26-1/8"*	47-3/4"*	26-3/8"*
(60.7 cm)	(85.7 cm to 88.3 cm)	(60 cm)	(66.4 cm)	(121.3 cm)	(67 cm)

\*Stainless steel model dimensions only. For panel-ready models, see the owner's guide online at [marvelrefrigeration.com](http://marvelrefrigeration.com).

## PRODUCT SPECIFICATIONS

<b>Capacity</b>	5.5 cu. ft.
<b>Cord Length</b>	6 ft.
<b>Electrical Requirements</b>	115V / 60 Hz / 15A
<b>ENERGY STAR</b>	Yes
<b>Panel Height</b>	30-7/16" (77.3 cm)
<b>Panel Thickness</b>	5/8" (1.6 cm) or 3/4" (1.9 cm)
<b>Panel Type</b>	2-3/4" (7 cm) Frame Panel or Solid Panel
<b>Panel Width</b>	23-5/8" (60 cm)
<b>Refrigerant Type</b>	R600a

<b>Sabbath Mode</b>	Yes
<b>Shipping Dimensions</b>	28" W x 31" D x 37" H
<b>Shipping Weight</b>	160 lbs
<b>Temperature Range</b>	33°F to 70°F

For comprehensive installation instructions, including panel overlay details, please visit [marvelrefrigeration.com](http://marvelrefrigeration.com) to access the owner's guide. All specifications are subject to change without notice.

