

MORF224

24" REFRIGERATOR-FREEZER

MARVEL OUTDOOR COLLECTION



MAIN FEATURES

- 3.9 cu ft. capacity holds up to 72 cans (12-oz)
- 1 cu ft. freezer holds up to 12 pints of ice cream
- 2 half-width cantilevered shelves and 1 full-width fixed shelf
- MaxStore bin stores loose items
- Cantilevered shelving system can hold up to 35 lbs and features 11 adjustable heights
- Dynamic cooling technology delivers rapid cool down, frost-free operation, and temperature stability
- Digital controls allow you to select a refrigerator temperature from 34°F to 42°F
- Door ajar and high/low temperature alerts
- Arctic white LED theater-style lighting
- Arctic white interior
- Door lock provides added security
- Reversible door allows for right or left swing
- Designed for outdoor use

WARRANTY

- 1-year parts and labor warranty and 5-year sealed system parts warranty (see complete warranty for details)

FINISH OPTIONS



DOOR STYLE

Solid Stainless Steel

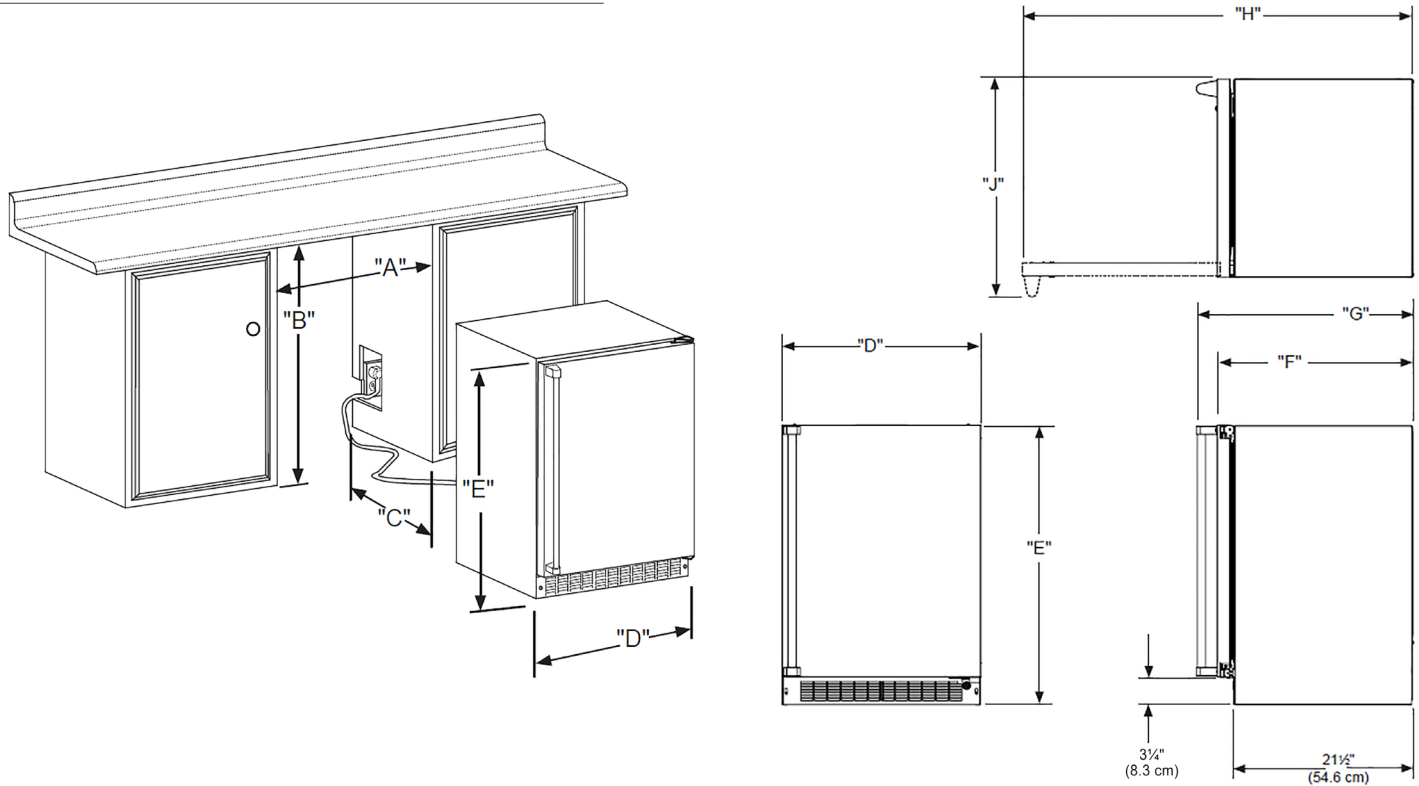
MODEL NUMBER

MORF224-SS31A





DIMENSIONAL DRAWINGS



ROUGH IN DIMENSIONS*

"A"	"B"	"C"
24"	34" to 35"	24"
(61 cm)	(86.4 cm to 88.9 cm)	(61 cm)

CABINET DIMENSIONS*

"D"	"E"	"F"	"G"	"H"	"J"
23-7/8"	33-3/4" to 34-3/4"	23-3/4"	26-1/4"	46-3/8"	26-3/8"
(60.7 cm)	(84.5 cm to 87 cm)	(60.3 cm)	(66.2 cm)	(117.8 cm)	(67 cm)

PRODUCT SPECIFICATIONS

Capacity	4.9 cu. ft.
Cord Length	6 ft.
Electrical Requirements	115V / 60 Hz / 15A
ENERGY STAR	Yes
Refrigerant Type	R600a
Sabbath Mode	Yes
Shipping Dimensions	28" W x 31" D x 37" H
Shipping Weight	160 lbs
Temperature Range	Refrigerator: 34°F to 42°F Freezer: -5°F to 0°F

For comprehensive installation instructions, please visit marvelrefrigeration.com to access the owner's guide. All specifications are subject to change without notice.

