

24" Series 5 Compact Combi-Microwave Oven

Series 5 | Contemporary

Stainless Steel

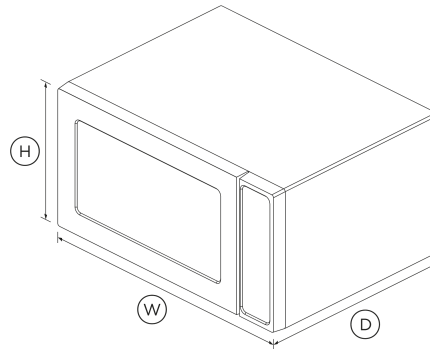


Heat or reheat entire dishes at once, fast, thanks to 1200 watts of power with multiple cook functions.

- Five cooking modes including Defrost, Warm and Reheat
- 2 cubic feet total capacity
- Use the 30" Microwave trim kit to integrate this microwave with your cabinetry

DIMENSIONS

Height	13 3/8 "
Width	24 "
Depth	19 1/8 "



SPECIFICATIONS

Accessories (sold separately)

Matching Trim Kit	TK30MOX1 (Traditional) / MOTTK-30
-------------------	---

Functions

Popcorn	•
---------	---

Product Dimensions

Depth	19 1/8 "
Height	13 3/8 "
Width	24 "

SKU	70996
-----	-------

The product dimensions and specifications in this page apply to the specific product and model. Under our policy of continuous improvement, these dimensions and specifications may change at any time. You should therefore check with Fisher & Paykel's Customer Care Centre to ensure this page correctly describes the model currently available. © Fisher & Paykel Appliances Ltd 2020

Other product downloads available at fisherpaykel.com

- [↓ 2D-DWG Microwave](#)
- [↓ 2D-DXF Microwave](#)
- [↓ Archicad Microwave Oven](#)
- [↓ Archicad Microwave Oven with 30inch Trim](#)
- [↓ Data Sheet Microwave](#)
- [↓ Service & Warranty](#)
- [↓ Installation Guide](#)
- [↓ Revit Microwave Oven](#)
- [↓ Revit Microwave Oven with 30" Trim](#)
- [↓ Rhino Microwave Oven](#)
- [↓ Rhino Microwave Oven with 30inch Trim](#)
- [↓ Sketchup Microwave Oven](#)
- [↓ Sketchup Microwave Oven with 30inch Trim](#)
- [↓ User Guide](#)

Where applicable:

All appliances use energy, and energy usage typically generates carbon emissions. **Fisher & Paykel Appliances' In-use Energy Carbon Emissions Estimate** indicates carbon emissions from a product's in-use energy. This is calculated either annually or per cycle, using the product's market-specific energy label energy consumption data multiplied by the carbon emissions factor for energy in your country or region.

Our In-use Energy Carbon Emissions Estimate is designed to assist customers in making informed purchasing decisions when comparing different Fisher & Paykel products. For example, a heat pump dryer typically has a lower In-use Energy Carbon Emissions Estimate than a vented dryer.



A PEACE OF MIND SALE
24 Hours 7 Days a Week Customer Support
T 1.888.936.7872 W www.fisherpaykel.com