

MLRE215

15" REFRIGERATOR



MARVEL CLASSIC COLLECTION

MAIN FEATURES

- 2.7 cu ft. capacity stores up to 72 cans (12-oz)
- Includes 2 cantilevered black steel-framed glass shelves
- Cantilevered shelving system can hold up to 35 lbs and features 11 adjustable heights
- Dynamic cooling technology delivers rapid cool down, frost-free operation, and temperature stability
- Argon-filled, UV-resistant tinted dual pane glass door options protect contents
- Digital controls allow you to select a temperature from 34°F to 60°F
- Door ajar and high/low temperature alerts
- Arctic white LED theater-style lighting
- Elegant midnight black interior
- Reversible door allows for right or left swing

WARRANTY

- 1-year parts and labor warranty and 5-year sealed system parts warranty (see complete warranty for details)

FINISH OPTIONS

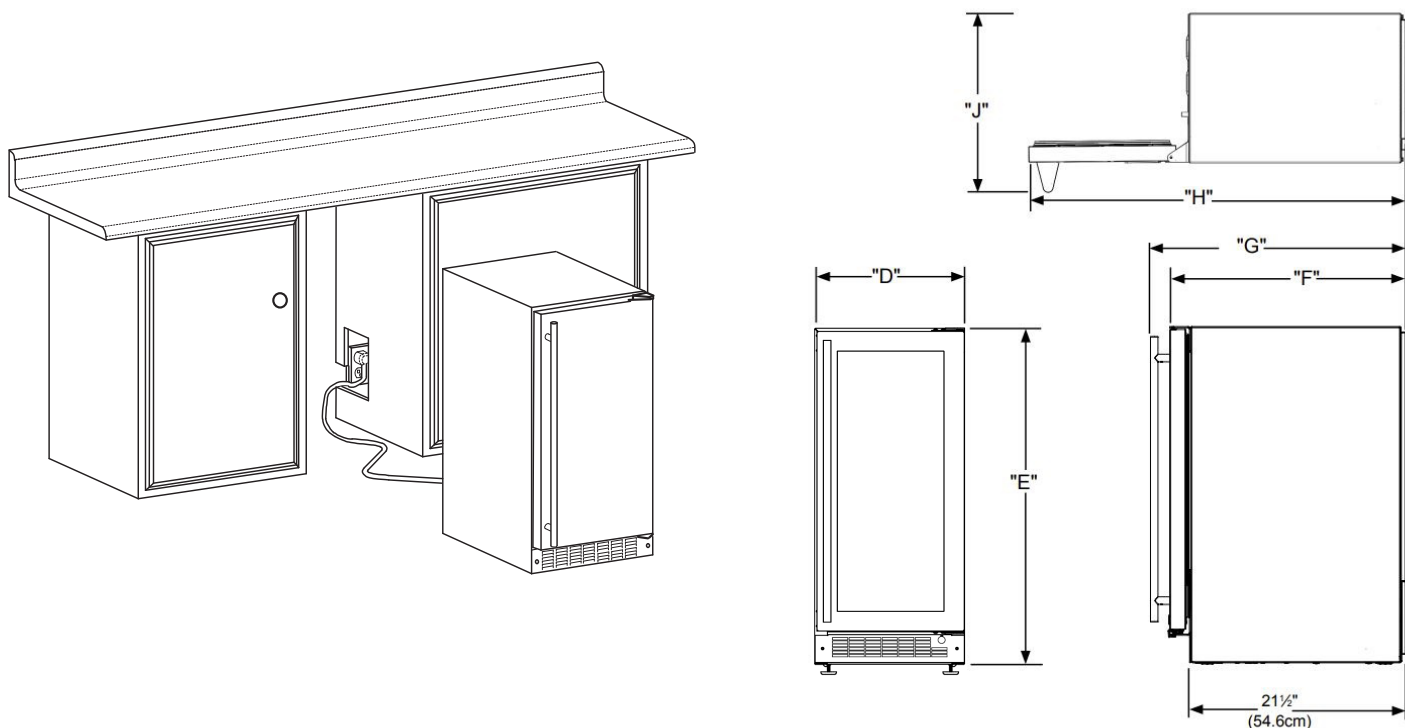


| DOOR STYLE | MODEL NUMBER |
|-----------------------------|---------------|
| Stainless Steel Frame Glass | MLRE215-SG01A |
| Panel Ready Frame Glass | MLRE215-IG01A |
| Solid Stainless Steel | MLRE215-SS01A |
| Solid Panel Ready | MLRE215-IS01A |





DIMENSIONAL DRAWINGS



ROUGH IN DIMENSIONS*

| "A" | "B" | "C" |
|-----------|----------------------|---------|
| 15" | 34" to 35" | 24" |
| (38.1 cm) | (86.4 cm to 88.9 cm) | (61 cm) |

CABINET DIMENSIONS*

| "D" | "E" | "F" | "G" | "H" | "J" |
|-----------|----------------------|----------|-----------|-----------|-----------|
| 14-7/8" | 33-3/4" to 34-3/4" | 23-5/8"* | 25-1/2"* | 37-3/8"* | 16-5/8"* |
| (37.8 cm) | (85.7 cm to 88.3 cm) | (60 cm) | (64.8 cm) | (94.9 cm) | (42.2 cm) |

*Stainless steel model dimensions only. For panel-ready models, see the owner's guide online at marvelrefrigeration.com.

PRODUCT SPECIFICATIONS

| | |
|--------------------------------|--|
| Capacity | 2.7 cu. ft. |
| Cord Length | 6 ft. |
| Electrical Requirements | 115V / 60 Hz / 15A |
| ENERGY STAR | Yes |
| Panel Height | 29-21/32" (75.4 cm) |
| Panel Thickness | 5/8" (1.6 cm) or 3/4" (1.9 cm) |
| Panel Type | 2-3/4" (7 cm) Frame Panel or Solid Panel |
| Panel Width | 14-5/8" (37.6 cm) |
| Refrigerant Type | R600a |

| | |
|----------------------------|-----------------------|
| Sabbath Mode | Yes |
| Shipping Dimensions | 19" W x 31" D x 37" H |
| Shipping Weight | 125 lbs |
| Temperature Range | 34°F to 60°F |

For comprehensive installation instructions, including panel overlay details, please visit marvelrefrigeration.com to access the owner's guide. All specifications are subject to change without notice.

