

MLKR224

24" BEVERAGE DISPENSER



MARVEL CLASSIC COLLECTION

MAIN FEATURES

- 5.7 cu ft. capacity
- Stores up to 1 half barrel, 1 quarter barrel, 1 slim quarter barrel, 2 slim 1/6 barrels, or 2 cornelius kegs (cornelius ball-lock fitting not included)
- Beer & Beverage Dispensers are designed to work with CO2 for beer, cider, seltzer, soda and more
- Wine & Beverage Dispensers use nitrogen to dispense wine or other non-carbonated draft beverages
- Lo-Boy coupler makes it easier to store, tap and swap out tall U.S. type D barrels
- Includes 2 stow-on-board stainless steel shelves to store bottles and cans
- Secure gas tank storage area and drain basin
- Dynamic Cooling Technology delivers temperature stability
- Integrated drain system keeps spillage under control
- Double-insulated tower reduces foam during pour
- Digital controls allow you to select a temperature from 34°F to 60°F
- Door ajar and high/low temperature alerts
- Arctic white LED theater-style lighting
- Reversible door allows for right or left swing
- Panel ready model requires 3/4" or 5/8" custom panel and handle (not supplied by Marvel)

WARRANTY

- 1-year parts and labor warranty and 5-year sealed system parts warranty (see complete warranty for details)

FINISH OPTIONS



DOOR STYLE	MODEL NUMBER
Solid Stainless Steel (Single Beer & Beverage Tap)	MLKR224-SSA1A
Solid Panel Ready (Single Beer & Beverage Tap)	MLKR224-ISA1A
Solid Stainless Steel (Twin Beer & Beverage Tap)	MLKR224-SSB1A
Solid Panel Ready (Twin Beer & Beverage Tap)	MLKR224-ISB1A
Solid Stainless Steel (Single Wine & Beverage Tap)	MLKR224-SSC1A
Solid Panel Ready (Single Wine & Beverage Tap)	MLKR224-ISC1A
Solid Stainless Steel (Twin Wine & Beverage Tap)	MLKR224-SSD1A
Solid Panel Ready (Twin Wine & Beverage Tap)	MLKR224-ISD1A

BEER & BEVERAGE TAP



Single Tap Twin Tap

WINE & BEVERAGE TAP

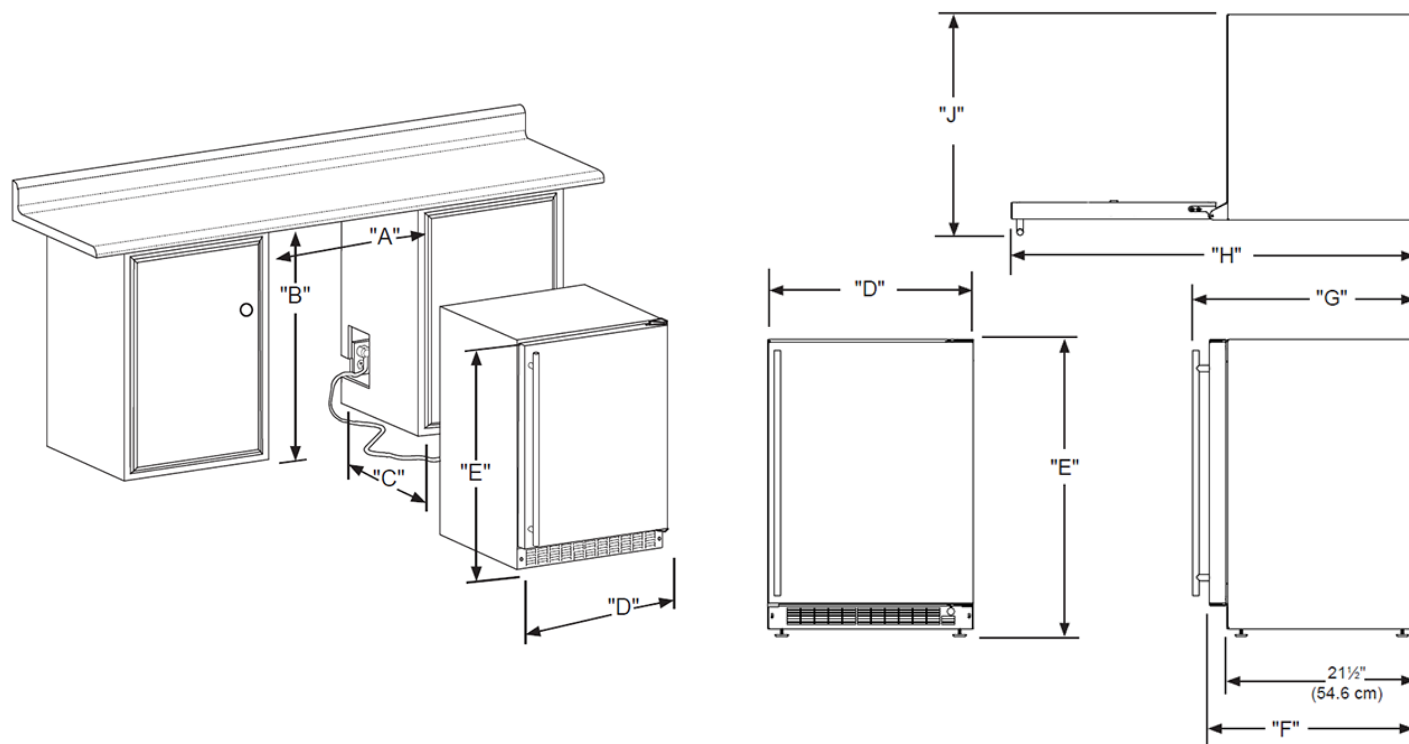


Single Tap Twin Tap





DIMENSIONAL DRAWINGS



ROUGH IN DIMENSIONS*

"A"	"B"	"C"
24"	34" to 35"	24"
(61 cm)	(86.4 to 88.9 cm)	(61 cm)

CABINET DIMENSIONS*

"D"	"E"	"F"	"G"	"H"	"J"
23-7/8"	33-3/4" to 34-3/4"	23-5/8"*	25-1/2"	46-3/8"*	25-3/4"*
(60.7 cm)	(85.7 cm to 88.3 cm)	(60 cm)	(64.8 cm)	(117.8 cm)	(65.4 cm)

*Stainless steel model dimensions only. For panel-ready models, see the owner's guide online at marvelrefrigeration.com.

PRODUCT SPECIFICATIONS

Capacity	5.7 cu. ft.
Cord Length	6 ft.
Electrical Requirements	115V / 60 Hz / 15A
ENERGY STAR	No
Panel Height	29-21/32" (75.3 cm)
Panel Thickness	5/8" (1.6 cm) or 3/4" (1.9 cm)
Panel Type	2-3/4" (7 cm) Solid Panel
Panel Width	23-5/8" (60 cm)
Refrigerant Type	R600a

Sabbath Mode	Yes
Shipping Dimensions	28" W x 31" D x 37" H
Shipping Weight	160-179.5 lbs
Temperature Range	34°F to 60°F

For comprehensive installation instructions, including panel overlay details, please visit marvelrefrigeration.com to access the owner's guide. All specifications are subject to change without notice.

