

# MLBV124

## 24" BEVERAGE CENTER

### MARVEL CLASSIC COLLECTION



### MAIN FEATURES

- 5.5 cu ft capacity stores up to 190 cans (12-oz) and 6 wine bottles
- 2 cantilevered steel shelves
- 1 removable 6-bottle wine cradle
- Cantilevered shelving system can hold up to 35 lbs and features 11 adjustable heights
- Dynamic cooling technology delivers rapid cool down, frost-free operation, and temperature stability
- Argon-filled, UV-resistant tinted dual pane glass door options protect contents
- Digital controls allow you to select a temperature from 34°F to 60°F
- Door ajar and high/low temperature alerts
- Arctic white LED theater-style lighting
- Elegant midnight black interior
- Reversible door allows for right or left swing

### WARRANTY

- 1-year parts and labor warranty and 5-year sealed system parts warranty (see complete warranty for details)

### FINISH OPTIONS



#### DOOR STYLE

Stainless Steel Frame Glass

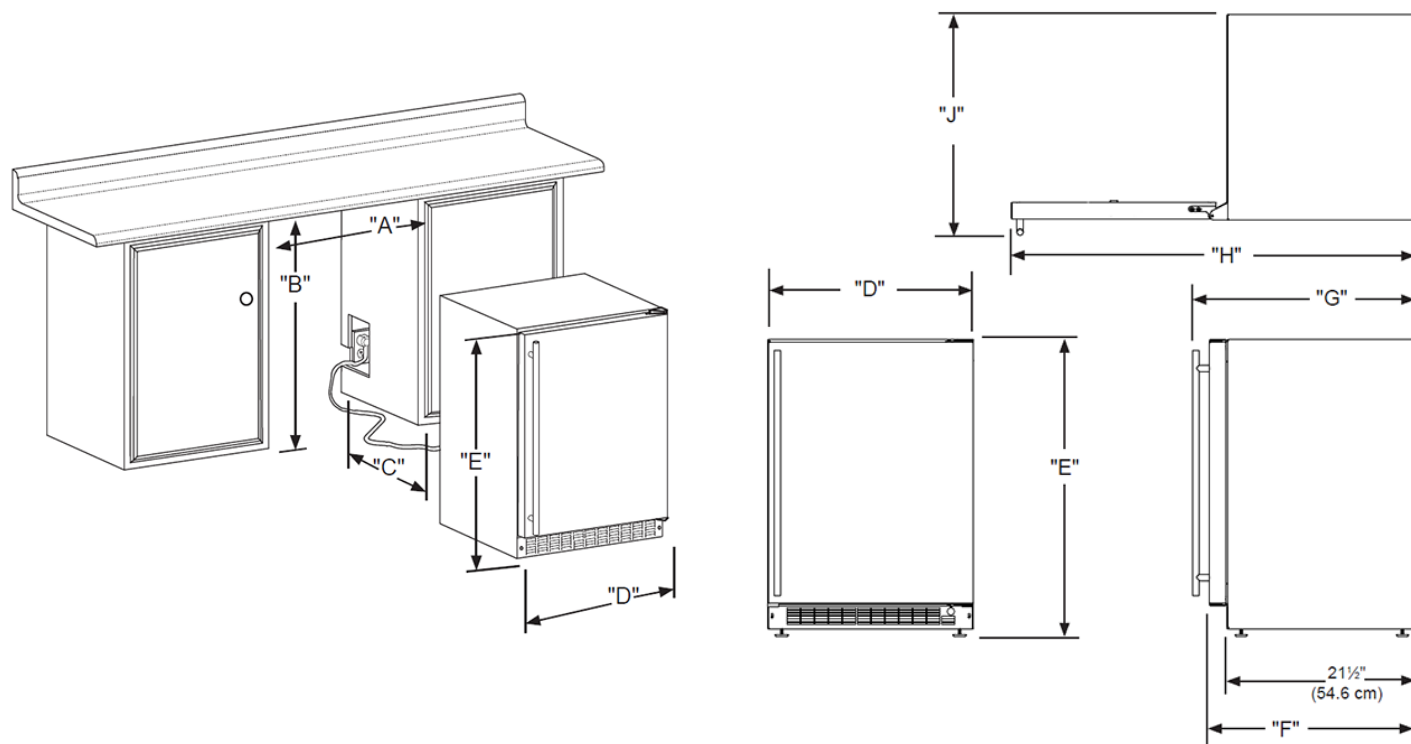
#### MODEL NUMBER

MLBV124-SG01A





## DIMENSIONAL DRAWINGS



### ROUGH IN DIMENSIONS\*

"A"	"B"	"C"
24"	34" to 35"	24"
(61 cm)	(86.4 to 88.9 cm)	(61 cm)

### CABINET DIMENSIONS\*

"D"	"E"	"F"	"G"	"H"	"J"
23-7/8"	33-3/4" to 34-3/4"	23-5/8"*	25-1/2*	46-3/8"*	25-3/4"*
(60.7 cm)	(85.7 cm to 88.3 cm)	(60 cm)	(64.8 cm)	(117.8 cm)	(65.4 cm)

## PRODUCT SPECIFICATIONS

<b>Capacity</b>	5.5 cu. ft.
<b>Cord Length</b>	6 ft.
<b>Electrical Requirements</b>	115V / 60 Hz / 15A
<b>ENERGY STAR</b>	Yes
<b>Refrigerant Type</b>	R600a
<b>Sabbath Mode</b>	Yes
<b>Shipping Dimensions</b>	28" W x 31" D x 37" H
<b>Shipping Weight</b>	160 lbs
<b>Temperature Range</b>	34°F to 60°F

For comprehensive installation instructions, please visit [marvelrefrigeration.com](http://marvelrefrigeration.com) to access the owner's guide. All specifications are subject to change without notice.

