

LG SIGNATURE

MHEU1738X

1.7 cu. ft. Smart Over-the-Range Convection Microwave Oven with Air Fry

- 1.7 cu.ft. Oven Capacity
- WideView™ Window
- PrintProof™ Stainless Steel Sensor Cooking
- Air Fry
- Touchless Lighting
- Wi-Fi Connect (ThinQ® Technology)
- ThinQ UP
- Auto Cook



LG ThinQ®



Air Fry



Control Panel



ThinQ App

SUMMARY

Oven Capacity (cu.ft.)	1.7 cu.ft.
Type	Over-the-Range Microwave
Color	PrintProof™ Stainless Steel

FEATURES

Microwave Power Output (W)	950
Convection Power Output (W)	1550
Exterior Design	WideView™ Window (One body frame Monitor look)
Control Type	Glass Touch (SmoothTouch™)
Backlit Control Panel	Yes
Control Location	Bottom
Display	White LED Scrolling, 2 Lines
EasyClean® Interior	No (STS)

COOKING FEATURES

Convection	Yes
Air Fry	Yes
Air Sous-Vide	Yes
Defrost	Auto/ Time
Proof	Yes
Warm	Yes
Power Levels for MW	10
Sensor Function	Yes (19) Sensor Reheat (6), Sensor Cook (2), Popcorn (1) Yes(34)
Auto Cook	Auto Defrost(5), Steam Cook(7), Soften(4), Melt(4), More Modes (7EA), Warm (1EA), Proof (1EA), Manual Cook(5EA)
Custom Settings	Yes

CONVENIENCE FEATURES

Wi-Fi Connect (ThinQ®)	Yes
ThinQ UP	Yes
ExtendaVent™ 2.0	No
Racks	1
Turntable Diameter (Inches)	13.5"
Clock	Yes
Kitchen Timer	Yes
Completion Beeper	Yes
Turntable On/Off	Yes
Add 30 Second	Yes
Included Accessories	Metal Tray, Steam Bowl, Metal Rack, Tray, Crisp
Touchless Light	Yes
EasyClean Mode	Yes

LIGHTING

Lighting (Exterior/ Interior)	LED Lighting
-------------------------------	--------------

SAFETY FEATURES

Child Lock	Yes
------------	-----

VENTING SYSTEM

Filtration	Charcoal Filter
Exhaust Grease Filter	2
Power Levels	4
Vent Grille Type	Hidden
Vent Air Flow (CFM)	300

MATERIALS AND FINISHES

All Available Colors	PrintProof™ Stainless Steel
PrintProof™ Finish	Yes
Interior Color	Stainless Steel
Handle Type	One Body

SMART FEATURES

ThinQ® (Wi-Fi Enabled)	Yes
ThinQ UP	Yes
Voice Control	Google Assistant Amazon Alexa
Smart Receipt (3rd Party Recipe App)	No
Proactive Customer Care	Yes
Smart Diagnosis™	Yes

ACCESSORIES

Crispy Tray	Yes
-------------	-----

POWER/ RATING

Volts	120/ 60
Amps/ Watts	14.5A/ 1700W

DIMENSIONS/ CLEARANCES/ WEIGHT

Cavity (WxHxD)	21 10/16" x 9 12/16" x 14 4/16"
Exterior (WxHxD) (without or with handle)	29 14/16" x 16 8/16" x 16 6/16"
Net Weight (lbs)	72.6
Shipping Weight (lbs)	85.8
Shipping Dimensions (WxHxD)	33 7/16" x 21 x 19 5/16"

LIMITED WARRANTY

Parts and Labor	2 Year
-----------------	--------

UPC CODE

MHEU1738X	048231349697
-----------	--------------

MHEU1738X

Smart Over the Range Convection Microwave

QUICK INSTALL & CLEARANCES

For full installation directions/clearances please refer to the corresponding User Manual and Installation Guide.

DIMENSIONS

Cavity (WxHxD)	21 10/16" x 9 12/16" x 14 4/16"
Exterior (WxHxD) (without or with handle)	29 14/16" x 16 8/16" x 16 6/16"
Net Weight (lbs)	72.6
Shipping Weight (lbs)	85.8
Shipping Dimensions (WxHxD)	33 7/16" x 21 x 19 5/16"

POWER SOURCE

Volts	120 / 60
Amps / Watts	14.5A / 1700W

IMPORTANT SAFETY INSTRUCTIONS

WARNING

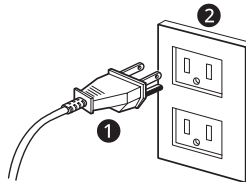
To reduce the risk of explosion, fire, death, electric shock, injury or scalding to persons when using this product, follow basic precautions, including the following:

Installation

- This appliance should not be installed by anyone except properly qualified service personnel.
- You will need two people to install this appliance. It is heavy and could cause personal injury if not handled properly.
- Avoid Electric Shock. Before you drill into the wall, note where electrical outlets are and where electrical wires might be concealed behind the wall. You could get an electric shock if you contact electrical wires with your drill bit. Locate and disconnect the power to any electrical circuits that could be affected by installing this appliance. If you do not disconnect the power, you could get an electric shock.
- This appliance must be grounded. If there is an electrical short circuit, grounding reduces the risk of electric shock by providing an escape wire for the electric current. This appliance is equipped with a cord which includes a grounding wire with a grounding plug.
- Place the plug into a properly installed and grounded outlet

- 1 Three-pronged (grounding) plug
- 2 Properly polarized and grounded outlet

- Do not use an extension cord.
- Keep the power cord dry and do not pinch or crush it. Failure to follow this instruction may cause a fire hazard.
- Do not, under any circumstances, remove the power supply cord grounding prong.
- If you use the grounding plug improperly, you risk electric shock and/or fire. Check with a qualified electrician if you are not sure whether the oven is properly grounded or if you do not completely understand the grounding instructions.
- Do not use a fuse in the neutral or grounding circuit.
- Improper grounding could result in electric shock, fire or other personal injury.



PRODUCT DIMENSIONS



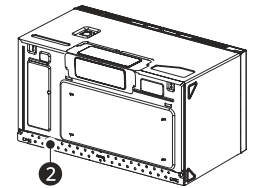
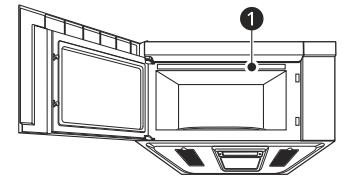
INSTALLATION

Before You Start

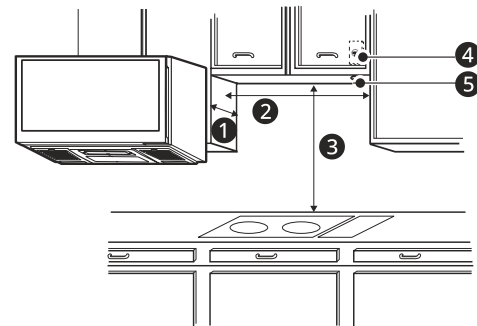
Be sure to read the following safety instructions

Read the entire manual before you begin. The model number plate ① is located on the oven front.

The mounting plate ② is located on the back side of the microwave oven



Be sure you have enough space (minimum vertical and horizontal clearance).



- 1 Maximum 13": cabinet depth
- 2 Minimum 30": cabinet opening width
- 3 Minimum 30": clearance from bottom of cabinet to cooking surface or countertop before installation. (Use templates included with installation instructions.)
- 4 Grounded Outlet (inside upper cabinet)
- 5 Power Supply Cord Hole