

MF 2451

Monolith Freezer- Fully Integrated,
panel ready

LIEBHERR

Refrigeration and Freezing



home.liebherr.com



MF 2451

Energy consumption (kWh / y)	438
Estimated Yearly Energy Cost in US \$ ¹	61
Sound rating dB(A) ²	39
Freezer capacity cu.ft. (l)	11.5 (325)
Number of shelves	4
Number of door racks	3
Number of FrostSafe Drawers	3
Electronic control	InfinitySwipe
Freezer temperature range °F (°C)	+7 °F to -17 °F (-14 °C to -27 °C)
Defrost type	Automatic
Interior light	InfinityLight
Water filter	Yes
IceMaker	Fixed water connection
Ice cube output lbs. (kg.)	3.5 (1.6)
Ice cube stock lbs. (kg.)	5.3 (2.4)
Door hinges ³	Left, reversible
Product dimensions	
in inch (H / W / D)	83 3/4" / 23 3/4" / 24"
in cm (H / W / D)	212.6 / 60.2 / 61
Cut out dimensions	
in inch (H / W / D)	84" / 24" / 25"
in cm (H / W / D)	213.4 / 61 / 63.5
Net weight lbs. (kg)	350.5 (159.0)
Voltage V / Hz	115/60

¹Estimated energy cost will depend on utility rates and use.

Estimated energy cost based on a national average electricity cost of 14 cents per kWh.

²Noise output – according to EN 60704-3.

³Please contact your Liebherr Authorized Dealer for door reversal.

Subject to modification. For up-to-date information, visit home.liebherr.com
Specifications are for planning purposes only. For more detailed information, refer to
installation instructions or Design Guide

Accessories

Stainless-steel door panel 24"	9901 883
Monolith brushed aluminum square handle	9901 461
Monolith stainless steel round handle	9901 489
Monolith brushed aluminum soft-edge handle	9901 492
Stainless-steel Toe Kick 24"	9901 496
Reverse door Kit	9902 399
Water filter	9880 980

Accessories for Side-by-Side installation

Side-by-Side kit (includes wall heater)	9901 428
--	----------

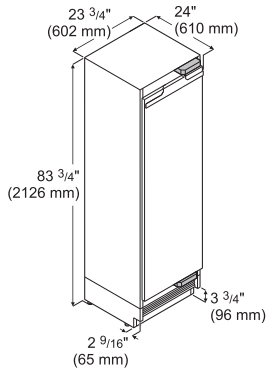
Other stainless-steel Toe Kicks for Side-by-Side installation, please visit home.liebherr.com/monolith or refer to the accessory section on the Design Guide for more information.

Features

Super Quiet	Noise levels are kept to a minimum thanks to virtually silent, speed-controlled and sound absorbing compressors.
Infinity Swipe	Intuitive electronic touch-control panel features a full-color 3.5-inch touch & swipe screen that allows you to control every function.
Infinity Light	Casts beautiful and even side lighting that can be tuned according to personal taste, including a soft brightening effect upon opening the doors.
Super Frost	Quick freeze just-bought groceries to preserve optimum food freshness, while sealing in flavors and maintaining essential vitamins and minerals.
Ice Maker	Monolith's automatic IceMaker produces 3.5 pounds (1.6 kg) of filtered ice in 24 hours. Activate the SuperFrost function for an even greater production capability. With a 5.3 pounds (2.4 kg) storage capacity, you'll never be without.

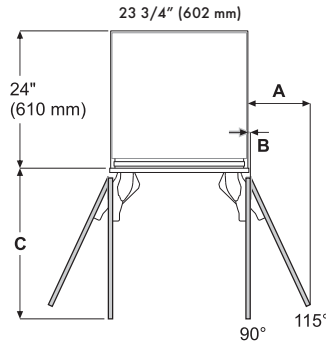
Diagrams

Product Dimensions



IMPORTANT!
Stated minimum height dimensions include when the leveled feet are fully inserted.

Height can be increased by a maximum of 1" (26 mm) by turning the adjustable feet. When the appliance is fitted in the recess, the appliance must be raised by turning the adjustable feet so that the appliance top has contact with the anti-tipping bracket. This results in a 4" (102 mm) Toe Kick height.



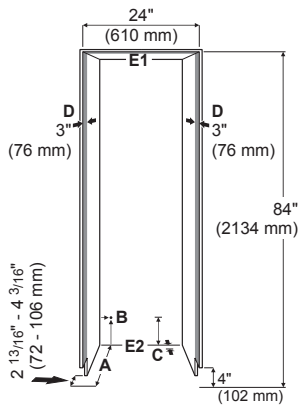
Inset
A = 10 3/4" (273 mm)
B = 1/2" (12.5 mm)
C = 25 7/8" (658 mm)

Frameless
A = 11" (279 mm)
B = 1/2" (12.5 mm)
C = 26 3/8" (670 mm)

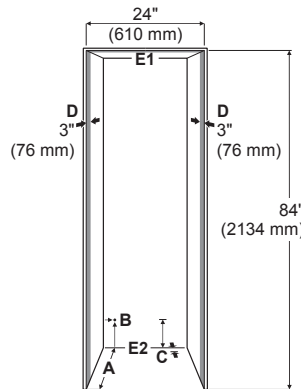
Dimension A = without mounted door handle

Cutout Dimensions

Continuous Toe Kick



Individual Toe Kick



A
Cabinet depth frameless installation style = 25" (635 mm)
Cabinet depth inset installation style = 25" (635 mm) + panel thickness.

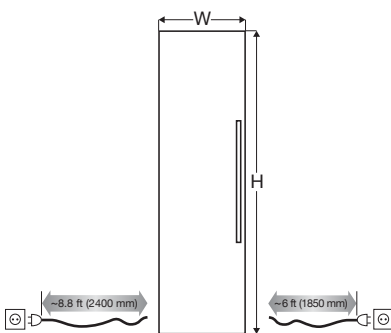
B
This is the point where the power cord exits from the appliance rear. 3/4" (19 mm) from the left and 5" (127 mm) from the floor. Free length of the power cord is 98" (2.5 m). We recommend the power outlet to be placed outside of the appliance opening. A 15 or 20 A, 110-120 VAC circuit grounded and protected by a circuit breaker or fuse is required.

C
The appliance has a recess in this area for cable and waterline laying. 1" (25 mm) in depth and 5 1/2" (140 mm) in height over the whole width of the appliance. The water pressure must be in the range of 40 - 90 psi. A shut-off valve must be installed between the water line and the main water supply. It must be easily accessible so the water supply can be stopped immediately if necessary.

D
This surface is visible when the appliance door is open. Designed finish is required.

E1, E2
Depending on the appliance, the anti-tipping bracket is positioned at the top (E1) or base (E2) of the appliance and must be secured to the wall or to the floor, please refer to the installation manual for more information.

Door Panel Dimensions and dimensions of free length for power



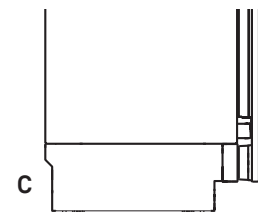
24" recess

Inset installation style
H = 79 7/8" (2029 mm)
W = 23 3/4" (603 mm)

Frameless installation style

H = 80" (2032 mm) Add overlapping dimension to the panel on the top.
W = 24" (610 mm) Add overlapping dimension to the panel on both sides.

Panel thickness: Min. 5/8" (16 mm)* / Max. 1" (25.4 mm)
Panel and handle weight: Max. 66 lbs. (30 kg)



* If a shaker style panel is used, which is thinner than the minimum panel thickness, shorter screws than those supplied in the accessory pack must be used.