

Use and care

GUIDE

Masterpiece® Series Built-in Single, Double and Combination Ovens

ME301WS MED301WS MED301LWS
MED301RWS ME302WS
MED302WS MED302LWS
MED302RWS MEM301WS
MEDMC301WS MEDMCW31WS



Table of contents

1 IMPORTANT SAFETY INSTRUCTIONS.....	4	9.3 Setting delayed operation with End Time	25
1.1 Safety definitions.....	4	9.4 Sabbath mode.....	25
1.2 General information.....	4	9.5 Yom Tov mode.....	25
1.3 Safe use.....	4	10 Basic settings.....	26
1.4 Child safety	6	10.1 Overview of the basic settings.....	26
1.5 Cleaning function	6	10.2 Changing the basic settings	26
1.6 Proper installation and maintenance	7	10.3 Oven temperature offset.....	26
1.7 Remote operation	8	10.4 Auto convection conversion.....	27
1.8 State of California Proposition 65 Warnings	8	11 Warming drawer operation.....	27
2 Preventing material damage	9	11.1 Turning the warming drawer on.....	27
2.1 General.....	9	11.2 Turning the warming drawer off.....	27
3 Environmental protection and energy-saving	9	11.3 Getting the most out of your warming drawer	27
3.1 Disposal of packaging	9	11.4 Warming drawer recommendations.....	28
3.2 Saving energy.....	9	11.5 Removing the warming drawer insert	28
4 Familiarizing yourself with your appliance	10	12 Home Connect®	28
4.1 Appliance	10	12.1 Setting up Home Connect®.....	29
4.2 Oven cavities	10	12.2 Home Connect® settings	29
4.3 Control panel.....	12	12.3 Changing the settings via the Home Connect® app.....	29
4.4 Basic features	12	12.4 Remote start.....	29
4.5 Main menu	13	12.5 Setting remote control	29
4.6 Heating modes and functions.....	13	12.6 Remote diagnostics.....	30
5 Software update.....	14	12.7 Software update	30
6 Accessories.....	15	12.8 Data Protection	30
6.1 Other accessories	15	13 Getting the most out of your appliance	30
6.2 Safe use of oven racks.....	16	13.1 Rack positions.....	30
6.3 Inserting the wire rack.....	16	13.2 Getting the best results	31
6.4 Inserting the telescopic rack.....	16	13.3 General tips for heating modes.....	31
7 Before using for the first time	17	14 Cleaning and maintenance	33
7.1 Initial adjustment of basic settings.....	17	14.1 Cleaning agents	33
7.2 Pairing your oven with Home Connect®.....	18	14.2 Cleaning the conventional oven.....	34
7.3 Cleaning the appliance before using it for the first time.....	18	14.3 Cleaning the warming drawer	36
8 Basic Operation	18	14.4 Maintenance.....	36
8.1 Turning the appliance on.....	18	15 Troubleshooting	39
8.2 Turning the appliance off.....	18	16 Disposal	40
8.3 Operating the full-touch display	18	16.1 Disposal of your old appliance.....	40
8.4 Setting the heating mode and temperature	19	17 Customer Service.....	40
8.5 Changing the heating mode or temperature	19	17.1 Model number (E-Nr.) and production number (FD).....	40
8.6 Canceling a heating mode.....	19	17.2 Rating plate location.....	41
8.7 Heating time limitation.....	19	17.3 Product registration	41
8.8 Preheating	20	18 STATEMENT OF LIMITED PRODUCT WARRANTY	41
8.9 Fast preheat.....	20	18.1 What this warranty covers & Who it applies to.....	41
8.10 Turning the panel lock on or off.....	20	18.2 How long the warranty lasts	41
8.11 Meat probe.....	20	18.3 Repair/replace as your exclusive remedy	41
8.12 Rotisserie.....	21	18.4 Out of warranty product.....	42
9 Timer functions.....	24		
9.1 Setting the oven timer	24		
9.2 Setting the kitchen timer.....	24		

18.5 Warranty exclusions..... 42
18.6 Obtaining warranty service..... 43
18.7 Product information..... 43



IMPORTANT SAFETY INSTRUCTIONS

READ AND SAVE THESE INSTRUCTIONS

Read all instructions carefully before use. These precautions will reduce the risk of electrical shock, fire and injury to persons. When using kitchen appliances, basic safety precautions must be followed including those in the following pages.

1.1 Safety definitions

Here you can find explanations of the safety signal words used in this manual.

WARNING

This indicates that death or serious injuries may occur as a result of non-observance of this warning.

CAUTION

This indicates that minor or moderate injuries may occur as a result of non-observance of this warning.

NOTICE:

This indicates that damage to the appliance or property may occur as a result of non-compliance with this advisory.

Note: This alerts you to important information and/or tips.

1.2 General information

Here you can find general information about this manual.

- Please read this manual carefully.
- Observe the safety instructions and warnings.
- Keep the manual and the product information in a safe place for future reference or for the next owner.
- Check the appliance for damage after unpacking it. Do not connect the appliance if it has been damaged in transit.

All product manuals may be downloaded online at www.thermador.com/us/support/owner-manuals.

1.3 Safe use

WARNING

When properly cared for, your new appliance has been designed to be safe and reliable.

- ▶ Read all instructions carefully before use. These precautions will reduce the risk of burns, electric shock, fire, and injury to persons.
- ▶ When using kitchen appliances, basic safety precautions must be followed, including those in the following pages.

WARNING

If materials inside an oven or warming drawer should ignite, keep door closed.

- ▶ Turn off the appliance and disconnect the circuit at the circuit breaker box.
- A fire could occur during cooking.
- ▶ Always have a working smoke detector near the kitchen.
 - ▶ Have an appropriate fire extinguisher available, nearby, highly visible and easily accessible near the appliance.
- NEVER cover any slots, holes or passages in the oven bottom or cover an entire rack with materials such as aluminum foil.
- ▶ Doing so blocks air flow through the oven.
 - ▶ Aluminum foil linings may also trap heat, causing a fire hazard.

Cooking fires can spread if extinguished incorrectly.

- ▶ Never use water on cooking fires.

Wear Proper Apparel. Loose-fitting or hanging garments, such as ties, scarves, jewelry, or dangling sleeves, should never be worn while using the appliance.

- ▶ Tie long hair so that it does not hang loose.
 - ▶ Secure all loose garments, etc. before beginning.
- In the event that personal clothing or hair catches fire, drop and roll immediately to extinguish flames.
- Do Not Use Water on Grease Fires.
- ▶ Smother fire or flame or use dry chemical or foam-type extinguisher.

CAUTION

The oven vents are important for air circulation. Covering the oven vents will cause the oven to overheat. Refer to the appliance overview for the location of the oven vents. → "Oven cavity components", Page 11

- ▶ Do not obstruct oven vents.

WARNING

Use Only Dry Potholders - Moist or damp potholders on hot surfaces may result in burns from steam.

- ▶ Do not let potholders touch hot heating elements.
 - ▶ Do not use a towel or other bulky cloth.
- DO NOT TOUCH HEATING ELEMENTS OR INTERIOR SURFACES OF OVEN - Heating elements may be hot even though they are dark in color. Interior surfaces of an oven become hot enough to cause burns.
- ▶ During and after use, do not touch, or let clothing, potholders, or other flammable materials contact heating elements or interior surfaces of oven until they have had sufficient time to cool. Other surfaces of the



IMPORTANT SAFETY INSTRUCTIONS

READ AND SAVE THESE INSTRUCTIONS

appliance may become hot enough to cause burns.

Among these surfaces are oven vent openings, surfaces near these openings and oven doors.

Use Care When Opening Door - Let hot air or steam escape before removing or replacing food.

- ▶ Standing to the side, open the door (or drawer) slowly and slightly to let hot air and/or steam escape.
- ▶ Keep your face clear of the opening and make sure there are no children or pets near the appliance.
- ▶ After the release of hot air and/or steam, proceed with your cooking.
- ▶ Keep doors shut unless necessary for cooking or cleaning purposes.
- ▶ Do not leave open doors unattended.

Do not clean the appliance while it is still hot. Some cleaners produce noxious fumes when applied to a hot surface. Wet clothes and sponges can cause burns from steam.

CAUTION

Use caution when cooking foods with high alcohol content (e.g. rum, brandy, bourbon) in the oven. Alcohol evaporates at high temperatures. There is a risk of burning as the alcohol vapors may catch fire in the oven.

- ▶ Use only small quantities of alcohol in foods, and open the oven door carefully.

Placement of Oven Racks - Always place oven racks in desired location while oven is cool. If the rack must be moved while the oven is hot, do not let potholders contact the hot heating elements in the oven. Use caution when removing oven racks from the lowest rack position to avoid contact with the hot oven door.

WARNING

Do not touch the interior surfaces of the drawer while it is in use. The interior of the drawer could become hot enough to cause burns.

- ▶ Allow drawer and rack (if equipped) to cool before handling.

The oven interior and the meat probe become very hot.

- ▶ Use oven mitts to plug and unplug the meat probe.

WARNING

Storage in or on Appliance - The use of corrosive chemicals in heating or cleaning will damage the appliance and could result in injury.

- ▶ Flammable materials, corrosive chemicals, vapors or non-food products should not be stored or used in an oven or on or near surface units.

- ▶ The appliance is specifically designed for use when heating or cooking food.

This appliance is intended for normal family household use only. It is not approved for outdoor use. See the Statement of Limited Product Warranty. If you have any questions, contact the manufacturer.

WARNING

Using this appliance other than for its intended use can cause fire or injury to persons.

- ▶ Use this appliance only for its intended use as described in this manual.
- ▶ NEVER use your appliances as a space heater for warming or heating the room. Doing so may result in overheating the appliance.
- ▶ Never use the appliance for storage.

WARNING - TO REDUCE THE RISK OF INJURY TO PERSONS IN THE EVENT OF A GREASE FIRE, OBSERVE THE FOLLOWING.

- ▶ SMOTHER FLAMES with a close-fitting lid, cookie sheet, or metal tray, then turn off the burner. BE CAREFUL TO PREVENT BURNS. If the flames do not go out immediately, EVACUATE AND CALL THE FIRE DEPARTMENT.
- ▶ NEVER PICK UP A FLAMING PAN – You may be burned.
- ▶ DO NOT USE WATER, including wet dishcloths or towels – a violent steam explosion will result.
- ▶ Use an extinguisher ONLY if:
 - You know you have a Class ABC extinguisher, and you already know how to operate it.
 - The fire is small and contained in the area where it started.
 - The fire department is being called.
 - You can fight the fire with your back to an exit.

Do not heat or warm unopened food containers. Build-up of pressure may cause the container to burst and cause injury.

Cooking or roasting bags might explode.

- ▶ Follow the manufacturer's directions when using cooking or roasting bags.

CAUTION

To avoid possible injury or damage to the appliance, ensure oven rack is installed exactly per installation instructions and not backwards or upside down.

Do not place anything on the oven cavity bottom. Do not cover it with aluminum foil. A build-up of heat could damage the appliance or cause injury.



IMPORTANT SAFETY INSTRUCTIONS

READ AND SAVE THESE INSTRUCTIONS

WARNING

Moisture intrusion may cause an electric shock.

- ▶ Do not use any steam cleaners or high-pressure cleaners to clean the appliance.

If the appliance or the power cord is damaged, this is dangerous.

- ▶ Do not turn the power on if the appliance or the power cord is damaged. Doing so may cause injury.
- ▶ Never operate a damaged appliance.
- ▶ If the appliance or the power cord is damaged, immediately switch off the breaker in the circuit breaker box.
- ▶ Call Customer Service. → *Page 40*
- ▶ Repairs to the appliance must only be performed by an authorized service provider.

WARNING

Scratched glass in the appliance door may develop into a crack.

- ▶ Do not use any harsh or abrasive cleaners or sharp metal scrapers to clean the glass on the oven door, as they may scratch the surface.

Use of a wrong meat probe can damage the insulation. Use only the meat probe intended for this appliance.

1.4 Child safety

This appliance is not intended for use by persons (including children) with reduced physical, sensory or mental capabilities, or lack of experience and knowledge, unless they have been given supervision or instruction concerning use of the appliance by a person responsible for their safety.

When children become old enough to use the appliance, it is the responsibility of the parents or legal guardians to ensure that they are instructed in safe practices by qualified persons.

WARNING

Do not allow children to use this appliance unless closely supervised by an adult.

- ▶ Children and pets should not be left alone or unattended in the area where the appliance is in use. They should never be allowed to play in its vicinity, whether or not the appliance is in use.

Do not allow anyone to climb, stand, lean, sit, or hang on any part of an appliance, especially a door, warming drawer, or storage drawer.

- ▶ This can damage the appliance, and the unit may tip over, potentially causing severe injury.

CAUTION

Do not store items of interest to children in an appliance, in cabinets above an appliance or on the backguard of an appliance. Children climbing on the appliance to reach items could be seriously injured.

Do Not Leave Children Alone.

- ▶ Children should not be left alone or unattended in the area where the appliance is in use.
- ▶ They should never be allowed to sit or stand on any part of the appliance.
- ▶ Always check inside the oven before turning it on.

WARNING

To avoid the risk of suffocation:

- ▶ Do not allow children to play with packaging material.
- ▶ Store small parts safely as they can be a choke hazard.

1.5 Cleaning function

Follow these safety instructions when using the cleaning function.

WARNING

Do not block the oven vent(s) during the self-cleaning cycle. Doing so may cause injury or damage to the appliance.

WARNING

During the elimination of soil during self-cleaning, small amounts of carbon monoxide can be created and the fiberglass insulation could give off very small amounts of formaldehyde during the first several cleaning cycles.

- ▶ To minimize exposure to these substances, provide good ventilation with an open window, or use a ventilation fan or hood.

The oven heats up to a very high temperature during self cleaning. Opening the door can result in injury.

- ▶ When self-cleaning, confirm that the door locks and will not open.
- ▶ If the door does not lock, do not run Self Clean. Contact Customer Service.



IMPORTANT SAFETY INSTRUCTIONS

READ AND SAVE THESE INSTRUCTIONS

WARNING

The outside of the appliance gets very hot when the cleaning function is in progress.

- ▶ Never touch the appliance door.
- ▶ Allow the appliance to cool down.
- ▶ Keep children at a safe distance.

WARNING

Do not leave food or cooking utensils, etc., in an oven during the pyrolytic self-cleaning mode of operation.

CAUTION

Remove broiler pans, pots, and other utensils and excess spillage before self-cleaning.

CAUTION

Birds have very sensitive respiratory systems.

- ▶ Keep pet birds out of the kitchen or other rooms where kitchen fumes could reach them.
- ▶ During self clean, fumes are released that may be harmful to birds.

WARNING

Do not clean the door gasket – The door gasket is essential for a good seal. Care should be taken not to rub, damage, or move the gasket.

WARNING

Do not use a protective coating to line the oven and do not use commercial oven cleaner.

Clean only parts listed in this manual.

Please note that some pets or humans can be sensitive to the odors created during the self-cleaning process whether it is a manufacturing residue burn off or food. It is recommended that those potentially affected be removed from the kitchen area during the self-clean process.

1.6 Proper installation and maintenance

See the Installation Guide for electrical requirements, grounding instructions and clearance to combustible material requirements.

WARNING

In the event of a malfunction, it might become necessary to turn off the power supply.

- ▶ Have the installer show you the circuit breaker or fuse. Mark it for easy reference.

To avoid electrical shock hazard, before servicing the appliance, turn power off at the service panel and lock the panel to prevent the power from being switched on accidentally.

Proper Installation - Improper installation or grounding can cause electric shock.

- ▶ This appliance must be properly installed and grounded by a qualified technician.
- ▶ Connect only to properly grounded outlet.
- ▶ Refer to installation instructions for details.

User Servicing - Do not repair or replace any part of the appliance unless specifically recommended in this manual.

- ▶ All other servicing should be referred to an authorized service provider.

Light socket is live when door is open if main power supply is not turned off.

- ▶ Turn off main power supply at the service panel before changing the light bulbs.

WARNING

Make sure the appliance and lights are cool and power to the appliance has been turned off before replacing the light bulb(s). Failure to do so could result in electrical shock or burns.

- ▶ The lenses must be in place when using the appliance.
- ▶ The lenses serve to protect the light bulb from breaking.
- ▶ The lenses are made of glass. Handle carefully to avoid breaking. Broken glass can cause an injury.

Failure to follow these instructions when removing the oven door may lead to personal injury or product damage.

- ▶ Make sure oven is cool and power to the oven has been turned off before removing the door. Failure to do so could result in electrical shock or burns.
- ▶ The oven door is heavy and parts of it are fragile. Use both hands to remove the oven door.
- ▶ The door front is glass. Handle it carefully to avoid breakage.
- ▶ Grasp only the side of the oven door. Do not grasp the handle. It may swing in your hand and cause damage or injury. Failure to grasp the oven door firmly and properly could result in personal injury or product damage.
- ▶ To avoid injury from hinge bracket snapping closed, be sure both levers are securely in place before removing the door.
- ▶ Do not force the door open or closed. The hinge could be damaged and cause damage or injury.
- ▶ Do not lay the removed door on sharp or pointed objects as this could break the glass. Lay it on a flat, smooth surface, positioned so that the door cannot fall over.



IMPORTANT SAFETY INSTRUCTIONS

READ AND SAVE THESE INSTRUCTIONS

WARNING

Grease and fat can ignite when heated.

- ▶ Keep the oven free from grease build up.

CAUTION

In the event of an error the display flashes and beeps continuously.

- ▶ Disconnect appliance from the power supply and call an authorized service provider.

WARNING

Malfunctions can cause injuries.

- ▶ Do not operate this appliance if it is not working properly, or if it has been damaged. Contact an authorized service provider.

1.7 Remote operation

CAUTION

This appliance may be configurable to allow remote operation at any time.

- ▶ Do not store any flammable materials or temperature sensitive items inside, on top or near surface units of the appliance.

1.8 State of California Proposition 65 Warnings

This product may contain a chemical known to the State of California, which can cause cancer or reproductive harm. Therefore, the packaging of your product may bear the following label as required by California:

STATE OF CALIFORNIA PROPOSITION 65 WARNING:



WARNING

Cancer and Reproductive Harm - www.P65Warnings.ca.gov

IMPORTANT SAFETY NOTICE: The California Safe Drinking and Toxic Enforcement Act requires the Governor of California to publish a list of substance known to the state to cause cancer, birth defect or other reproductive harm, and requires businesses to warn customers of potential exposure to such substances. The burning of gas cooking fuel and the elimination of soil during self-cleaning can generate small amounts of carbon monoxide. The fiberglass insulation in self clean ovens gives off very small amounts of formaldehyde

during the first several cleaning cycles. California lists formaldehyde as a potential cause of cancer. Carbon monoxide is a potential cause of reproductive toxicity. Exposure to these substances can be minimized by:

- Providing good ventilation when cooking with gas.
- Providing good ventilation during and immediately after self-cleaning the oven.
- Operating the unit according to the instructions in this manual.

2 Preventing material damage

2.1 General

NOTICE:

The presence of objects on the oven cavity bottom will cause heat to build up. The baking and roasting times will no longer be correct and the enamel will be damaged.

- ▶ Do not cover the oven cavity bottom with any sort of foil or greaseproof paper.

- ▶ Do not place accessories on the oven cavity bottom.

Do not allow aluminum foil in the oven cavity to come into contact with the door glass, it could cause permanent discoloration.

Never pour water into the oven cavity when it is still hot.

Never place cookware containing water on the oven cavity bottom.

The prolonged presence of moisture in the oven cavity leads to corrosion.

- ▶ Allow the oven cavity to dry after use.
- ▶ Do not keep moist food in the oven cavity for a long time with the door closed.
- ▶ Do not store food in the oven cavity.

Leaving the appliance to cool down with the door open will damage the front of neighboring kitchen units over time.

- ▶ Always allow the oven cavity to cool down with the door closed after cooking at high temperatures. Only leave the oven cavity to dry with the door open if a lot of moisture was produced during operation.

Fruit juice dripping from the baking tray leaves stains that cannot be removed.

- ▶ When baking very juicy fruit pies, do not pack too much on the baking tray.

If the seal is very dirty, the appliance door will not close properly when the appliance is in operation. This may damage the front of adjacent kitchen units.

- ▶ Never operate the appliance if the seal is damaged or missing.

Sitting or placing objects on the appliance door may damage it.

- ▶ Do not place or hang objects on the appliance door.
- ▶ Do not place cookware or accessories on the appliance door.

With certain models, accessories may scratch the door glass when closing the appliance door.

- ▶ Always push accessories fully into the oven cavity.

Carrying the appliance by the door handle could break it.

The door handle cannot support the weight of the appliance.

- ▶ Do not carry or hold the appliance by the door handle.

3 Environmental protection and energy-saving

3.1 Disposal of packaging

The packaging materials are environmentally compatible and can be recycled.

- ▶ Sort the individual components by type and dispose of them separately.

3.2 Saving energy

If you follow these recommendations, your appliance will use less energy.

Only preheat the appliance if the recipe or the recommended settings tell you to do so.

- ✓ Not preheating the appliance can reduce the energy used.

Use dark-colored, black-coated or enameled baking pans.

- ✓ These types of baking pans absorb the heat particularly well.

Open the appliance door as little as possible during operation.

- ✓ This will maintain the temperature in the oven cavity and eliminate the need for the appliance to reheat.

When baking multiple dishes, do so in succession or at the same time.

- ✓ The oven cavity is heated after baking the first dish. This reduces the baking time for the second dish.

If the cooking time is relatively long, you can switch the appliance off 10 minutes before the cooking time ends.

- ✓ There will be enough residual heat to finish cooking the dish.

Remove any accessories that are not being used from the oven cavity.

- ✓ An extra pan without food affects the browning and cooking.

Allow frozen food to defrost before cooking.

- ✓ This will save the energy that would otherwise be required to defrost it.

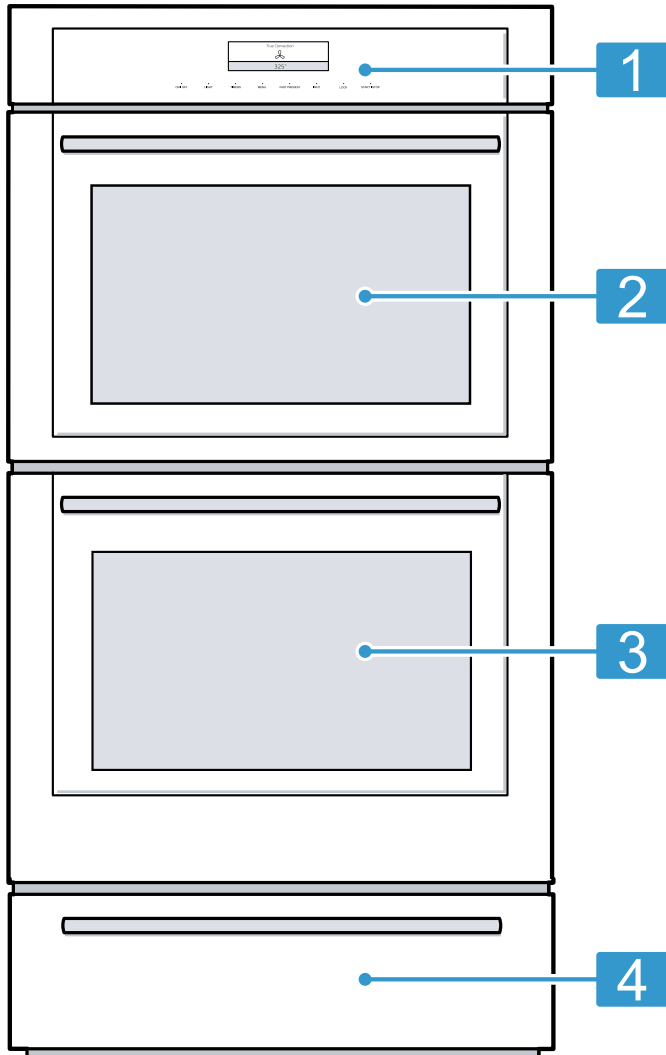
4 Familiarizing yourself with your appliance

This Use and Care Guide covers several models. Your model may have some but not all of the features listed.

4.1 Appliance

Here you can find an overview of the parts of your appliance.

Note: This Use and Care Guide covers several models. Your model may have some but not all of the features or displays listed.



1 Control panel

2 Upper oven

3 Lower oven

4 Warming drawer

4.2 Oven cavities

Here you can find information about the features of the oven cavities.

The bottom of the oven cavity conceals the lower heating element.

⚠ WARNING

Trapped heat and the use of metallic liners may result in a risk of electric shock or fire.

- ▶ Do not use aluminum foil or protective liners on any part of the appliance, especially the oven bottom.
- ▶ NEVER cover any slots, holes or passages in the oven bottom or cover an entire rack with materials such as aluminum foil. Doing so blocks air flow through the oven. Aluminum foil linings may also trap heat, causing a fire hazard.

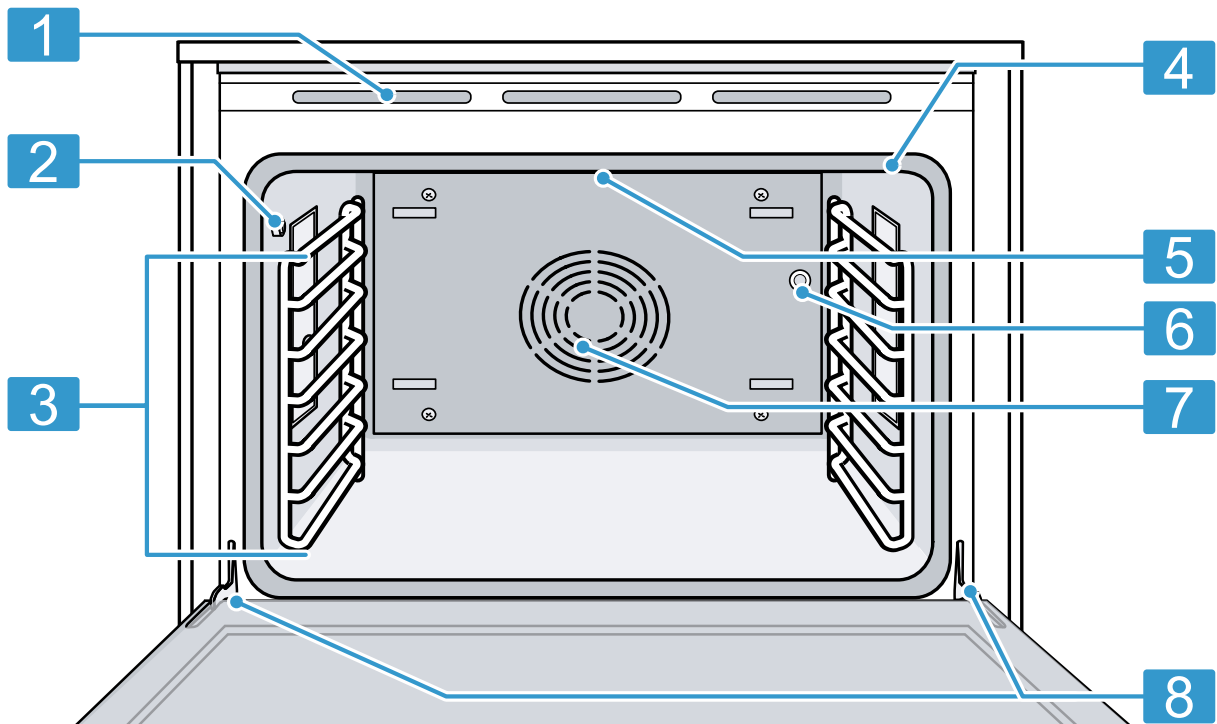
⚠ CAUTION

A build-up of heat can damage the appliance or cause injury.

- ▶ Do not place anything on the bottom of the oven cavity.
- ▶ Always place cookware on a rack.
- ▶ Do not cover the bottom of the oven cavity with aluminum foil.
- ▶ Do not place the broiler pan on the bottom of the oven cavity to catch spills. It will damage the surface of the oven cavity bottom.

Oven cavity components

Here you can find the components of the conventional oven cavity.



- | | |
|---|----------------------------|
| 1 | Oven vent |
| 2 | Socket for meat probe |
| 3 | Oven rails |
| 4 | Door gasket |
| 5 | Broil element |
| 6 | Socket for rotisserie spit |
| 7 | Convection fan |
| 8 | Door hinges |

Oven light

Your appliance is equipped with an oven light. When you open the appliance door, the oven light turns on. If the door remains open for longer than 20 minutes, the oven light turns off again. To turn the light back on, touch **LIGHT**.

Convection fan

Convection baking uses a fan to circulate the oven's heat evenly and continuously within the oven. This improved heat distribution allows for even cooking and excellent results using multiple racks at the same time.

Cooling fan

The cooling fan runs during all cooking modes.

The fan can be heard when it is running, and warm air may be felt as it is released from the oven vent. The fan may also run after the oven is off.

Oven vents

Warm air may be released from the oven vents before, during and after cooking. It is normal to see steam escaping from the vents, and condensation may collect in this area. This area may be warm when the oven is in use.

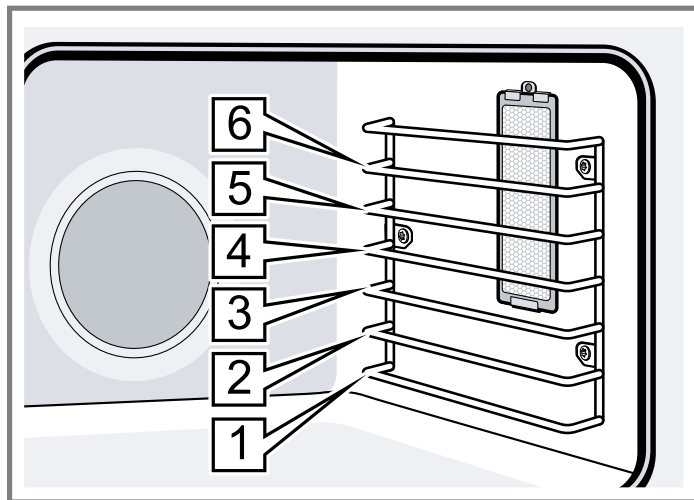
⚠ CAUTION

The oven vents are important for air circulation. Covering the oven vents will cause the oven to overheat. Refer to the appliance overview for the location of the oven vents. → "Oven cavity components", Page 11
 ▶ Do not obstruct oven vents.

Rack positions

Your oven has six rack positions. The rack positions are counted from bottom to top.

Use rack positions 1 through 6 only. DO NOT attempt to use the top guide to support an oven rack.



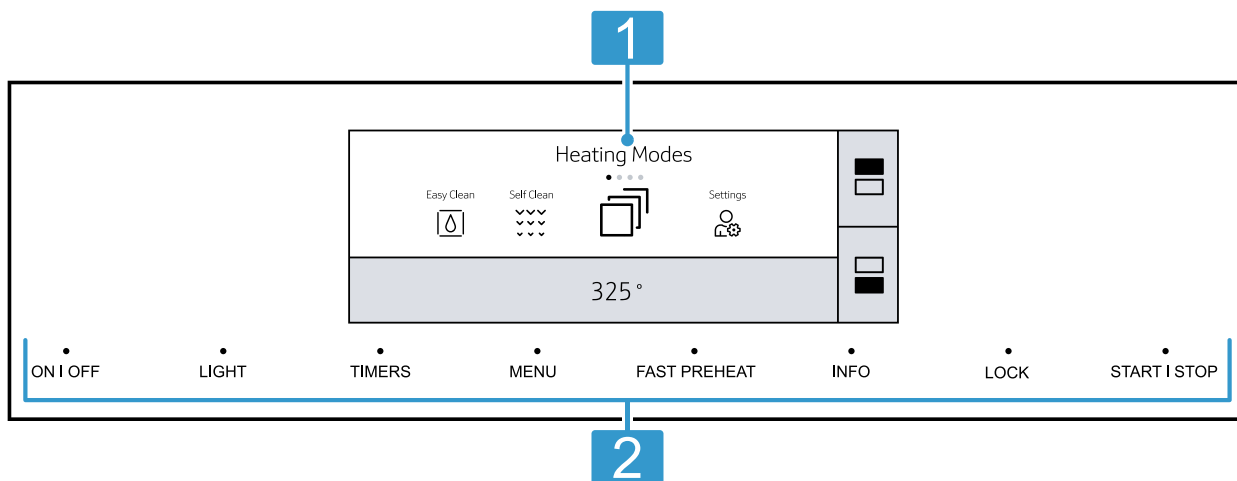
CAUTION

Use caution when removing oven racks from the lowest rack position to avoid contact with the hot oven door.

4.3 Control panel

You can use the control panel to configure all functions of your appliance and to obtain information about the operating status.

Note: The control panel graphics are representative. Your oven may have different graphic appearances.







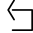
1	Full touch display	The full touch display is a touch sensitive area. Use it to navigate through the menus and select settings. The feature that is active will be illuminated in blue.
2	Touch keys	Touch keys are touch sensitive areas. Press on the words of the touch buttons to select a function. The available functions are indicated by a light above the respective touch button. Depending on the operation you are running, the number of available functions can change.

4.4 Basic features

Here you can find information on the basic operating features of your oven. This Use and Care Guide covers several models. Your model may have some but not all of the touch keys listed.

Touch key	Function
ON OFF	Main switch. Turns the oven on or off.

Touch key	Function
LIGHT	While the oven door is closed, press this key to turn the oven light on and off. When the oven door is opened, the oven light will automatically turn on. During self clean the oven light cannot be turned on.
START STOP	Starts or pauses the operation.

Touch key	Function
TIMERS	Enters the kitchen timer or oven timer function.
MENU	Enters the menu for operating modes and settings.
INFO	Displays additional information on current modes.
LOCK	Activates/deactivates panel lock
DRAWER	Activates the warming drawer
FAST PREHEAT	Activates or deactivates the fast preheat function. The display shows  .
	Select upper oven cavity to change settings.
	Select lower oven cavity to change settings.
	Confirm settings on the full touch display
	Return to prior screen on the full touch display

INFO touch key

If the **INFO** touch key lights up, important information regarding the mode you are using is available, for example recommendations on suitable cookware or how to prepare food for a safe cooking result.



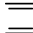

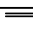
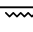
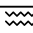
How to use this feature:

- When you press **INFO**, the information is displayed for a few seconds.

4.6 Heating modes and functions

Here you can find a list of heating modes and other features of your appliance.

This Use and Care Guide covers several models. Your model may have some but not all of the features or displays listed.

Symbol	Function/Mode	Temperature range °F (°C)	How it works and what it is used for
	True Convection	150 - 525 (65 - 275)	For baking and cooking small food items on one or more racks.
	Convection Bake	150 - 525 (65 - 275)	Use for large baked items and breads on 1 or 2 racks. Also suitable for side dishes and casseroles.
	Bake	150 - 525 (65 - 275)	Cooks with dry, heated air. Use for traditional baking and roasting on one level.
	Convection Roast	150 - 525 (65 - 275)	Uses intense heat and air circulated by a fan. Use for roasting of poultry, larger pieces of meat and vegetables.
	Roast	150 - 525 (65 - 275)	Use for roasting poultry or meats.
	Broil	450 - 550 (230 - 290)	Use for broiling flat items such as steaks or hamburgers, for making toast and for cooking au gratin.
	Max Broil	450 - 550 (230 - 290)	Use for cooking thin, tender cuts of meat, poultry and fish.

- To exit the information mode immediately, press **INFO** or touch the display.

Sounds

The appliance uses various sound signals during operation.






Sounds may indicate the following:

- A touch key or touch field has been pressed.
- An operation has started or finished.















You can adjust the volume of the sounds in the basic settings.

4.5 Main menu

Press **MENU** to access the main menu.

Menu	Function
	Heating modes Access the heating modes menu.
	Easy clean Uses steam to help lift food soils for cleaning.
	Self clean Uses high temperatures to burn off food soil.
	Settings Adjusting the basic settings of your appliance.
	Remote start This symbol appears when the Home Connect® setup is complete and Remote Start has been activated.

Note: Additional functions may be available as a result of software updates. If a software update is available, you can find further information in the Home Connect® app.

Symbol	Function/Mode	Temperature range °F (°C)	How it works and what it is used for
	Convection Broil	450 - 525 (230 - 275)	Combines intense heat from upper element with fan circulation. Use for roasting poultry, whole fish and larger pieces of meat.
	Max Convection Broil	450 - 550 (230 - 290)	Use for thick tender cuts of meat, poultry and fish.
	Speed Convection	150 - 525 (65 - 275)	Use for frozen convenience foods. Preheating is not required.
	Pizza	150 - 525 (65 - 275)	For preparing fresh or frozen pizza.
	Slow Roast	150 - 250 (65 - 120)	Use for gentle slow cooking of seared, tender pieces of meat in ovenware without a lid.
	Rotisserie	175 - 550 (80 - 290)	Use for roasting poultry and large pieces of meat. The food is slowly turned on a skewer.
	Dehydrate	100 - 160 (40 - 70)	Use for drying herbs, fruits and vegetables.
	Proof	85 - 110 (30 - 45)	Maintains the warm, non-drafty environment needed for proofing yeast leavened product. Use for yeast doughs and sourdough.
	Warm	150 - 225 (65 - 110)	Use for keeping cooked food warm.
	Sabbath	100 - 450 (40 - 230)	The Sabbath mode enables those of particular faiths to use their ovens on the Sabbath.
	Yom Tov	100 - 450 (40 - 230)	The Yom Tov mode enables those of particular faiths to use their ovens during Yom Tov.
	Easy Clean	n/a	Alternative cleaning method using steam to loosen food soils for easier cleaning.
	Self Clean	n/a	This cleaning program uses high temperatures to burn off food soil.
	Remote Start	n/a	Allows you to start, pause, and abort oven programs remotely via the Home Connect® app on a mobile device.

5 Software update

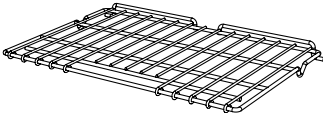
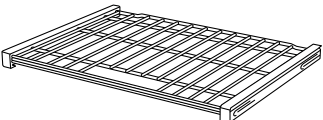
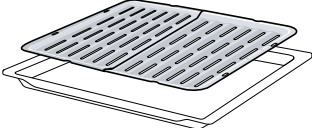
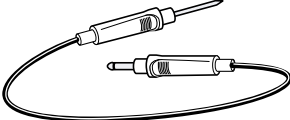
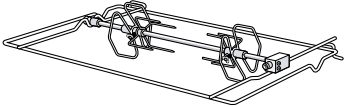
If the appliance is connected to Home Connect®, some functions may be available with a software update. More information on the availability of additional functions can be found on the website www.thermador.com/us/home-connect.

6 Accessories

Only use original accessories. These are designed especially for your appliance.

Note: Accessories may become deformed if they get hot. Deformation has no effect on function. As the accessory cools down, it will regain its original shape.

The accessories supplied may differ depending on the appliance model.

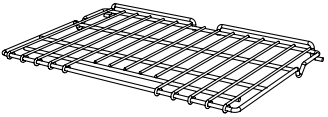
Accessories	Use
Wire rack	 <ul style="list-style-type: none"> ■ These racks can be used for most cooking. ■ You can use multiple racks at the same time. <p>Note: Do not clean using the SELF CLEAN function.</p>
Telescopic rack	 <p>Use with heavier dishes to make placement into the oven easier.</p> <p>Note: Do not clean using the SELF CLEAN function.</p>
Broiler pan and grid	 <p>Use for broiling and roasting.</p> <p>Notes</p> <ul style="list-style-type: none"> ■ Do not clean using the SELF CLEAN function. ■ You can clean this accessory in the dishwasher.
Meat probe	 <p>Depending on your oven model, the oven comes with a single-point or multi-point meat probe.</p> <ul style="list-style-type: none"> ■ Single-point meat probe: One measurement point determines the internal doneness or the end temperature of many foods, especially meats and poultry. ■ Multi-point meat probe: Three measurement points enable precision roasting to your exact requirements. <p>Notes</p> <ul style="list-style-type: none"> ■ Do not clean using the SELF CLEAN function. ■ Do not clean in the dishwasher.
Rotisserie	 <p>Use this accessory when using the rotisserie mode.</p> <p>Note: Do not clean using the SELF CLEAN function.</p>

6.1 Other accessories

You can purchase other accessories from our Customer Service, specialist retailers or online. You will find a comprehensive range of products for your appliance in our brochures and online: www.thermador.com

Accessories are appliance-specific. When purchasing, always check for compatibility with your appliance model number (E-Nr).

You can find out which accessories are available for your appliance in our online shop or from our Customer Service.

Other accessories		Use
Self cleaning rack for conventional oven (3 pack)		For ovenware, cake pans and ovenproof dishes. These racks do not need to be removed during SELF CLEAN .

6.2 Safe use of oven racks

For your safety, follow these recommendations on how to use the oven racks correctly.

⚠ CAUTION

Placement of Oven Racks - Always place oven racks in desired location while oven is cool. If the rack must be moved while the oven is hot, do not let potholders contact the hot heating elements in the oven. Use caution when removing oven racks from the lowest rack position to avoid contact with the hot oven door.

⚠ CAUTION

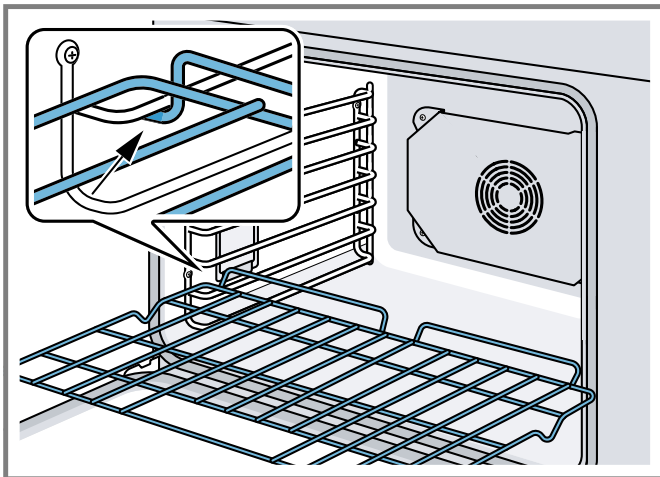
To avoid possible injury or damage to the appliance, ensure oven rack is installed exactly per installation instructions and not backwards or upside down. Do not slide any accessories between the rack positions, or they may tip.

6.3 Inserting the wire rack

The wire rack can be used in the conventional oven on level 1 to 6.

Requirement: You have read the recommendation on → "Safe use of oven racks", Page 16.

1. Grasp the rack firmly on both sides.
2. Tilt the rack up to allow the stop into rack guide.

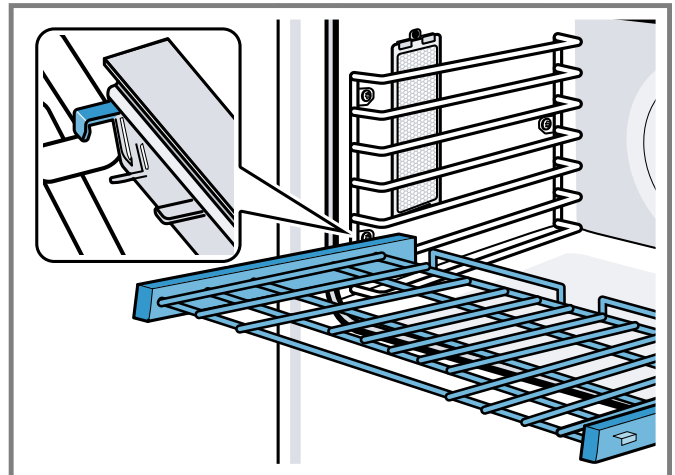


3. Bring the rack to a horizontal position and push it in the rest of the way.
The rack should be straight and flat, not crooked.

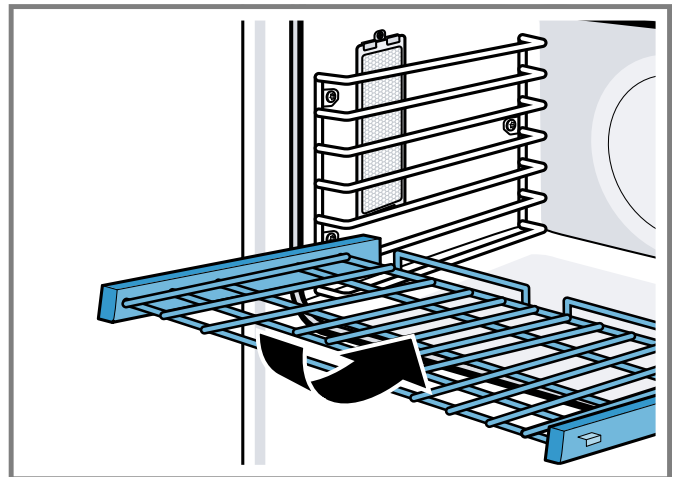
6.4 Inserting the telescopic rack

Requirement: You have read the recommendation on → "Safe use of oven racks", Page 16.

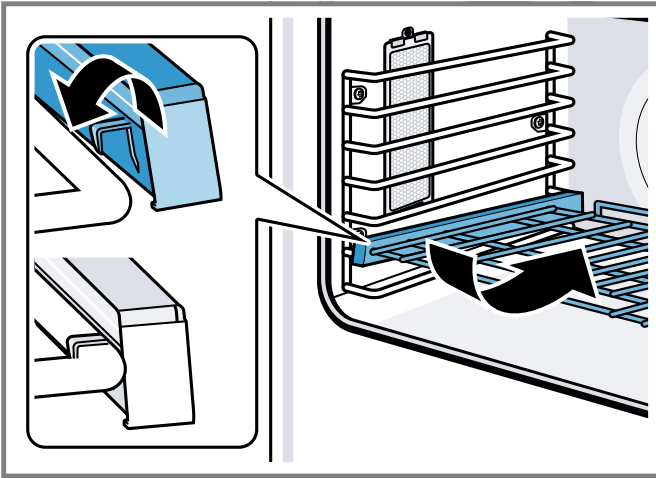
1. Hold the telescopic rack at a slight angle and engage the rear hooks in the oven rails on both sides of the oven cavity.



2. Hold the rack straight to allow the second tab to rest over the oven rail.
3. Push the rack in until it is even with the front hooks.



4. Lift the rack up to lock the last hook into place.



5. Push the rack in completely.
6. Make sure that the front hooks of the telescopic rack engage in the oven rails.

7 Before using for the first time

Carry out these steps before using your appliance.

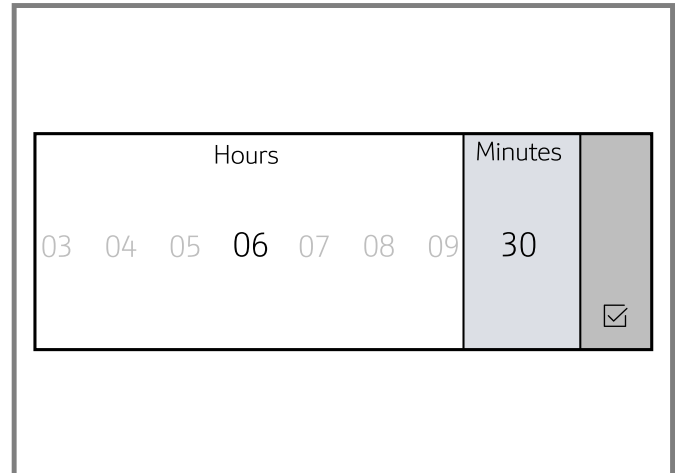
- The appliance must be properly installed by a qualified service provider before use.
- Read and understand all safety precautions → *Page 4* and information in the Use and Care Guide prior to operating.
- Download the Home Connect® (America) app to remotely control your appliance, get cooking inspiration, and access service tips and support.
→ *"Home Connect®", Page 28*
- This Use and Care Guide covers several models. Not all features are available on all models.

7.1 Initial adjustment of basic settings

After the appliance has been connected to the power supply, you are prompted to set some basic settings to ensure you can use your appliance conveniently and safely.

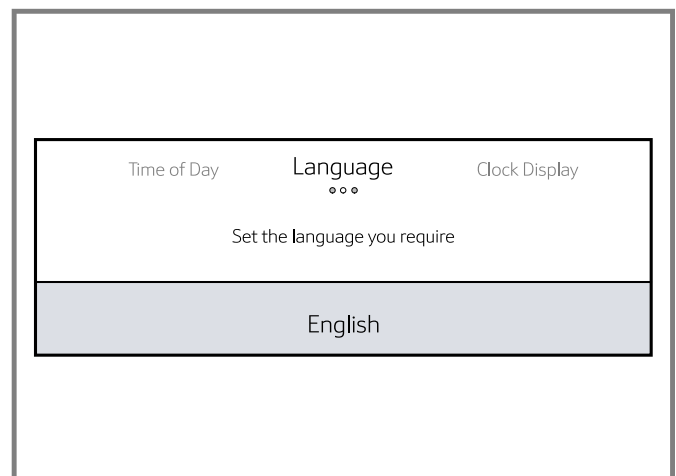
1. Setting the clock:

- Touch the bottom line on the full-touch display. The time setting options are displayed.
- Touch "Hours" and swipe to the left or right until the desired number is in focus.
- Touch "Minutes" and swipe to the left or right until the correct number is in focus.
- Touch to confirm.



2. Setting the language:

- Touch the bottom line on the full-touch display.
- Swipe to the left or right in the bottom line until the desired language is in focus.
- Touch the bottom line and swipe to the left or right until the correct language is in focus.
- Touch the top line.



3. Setting the clock display:

- Touch "Clock Display".
- Touch the bottom line.
- Swipe to the left or right to select "digital" or "analogue".
- Touch the top line.

7.2 Pairing your oven with Home Connect®

In order to utilize the full feature potential of the appliance, download the Home Connect® (America) app on a smart device and pair the appliance to the home's Wi-Fi device.

- ▶ For step-by-step instructions, see
→ "Home Connect® ", Page 28.

7.3 Cleaning the appliance before using it for the first time

Clean the oven cavity and accessories before using the appliance to prepare food for the first time.

NOTICE:

ENAMEL DAMAGE!

- ▶ Do not start an operation if water is on the bottom of the oven cavity.
- ▶ Let the appliance cool down and wipe the water from the oven cavity bottom before starting an operation.

Note: There may be a slight odor during first uses. This is normal and will disappear.

1. Remove all packaging materials from inside and outside the oven.
2. Before heating the appliance, wipe the smooth surfaces in the oven cavity with a soft, damp cloth and dry.
3. Keep the room ventilated while the appliance is heating.
4. Close both oven doors.
5. Press **ON I OFF**.
6. Select the heating mode and temperature.

Heating mode	Bake
Temperature	475°F (245°C)
Duration	30 minutes

7. Switch off the appliance after the specified cooking time by pressing **ON I OFF**.
8. Wait until the oven cavities have cooled off.
9. Clean the smooth surfaces with soapy water and a dish cloth.
10. Wash the accessories thoroughly with soapy water and a cloth and rinse well.

8 Basic Operation

8.1 Turning the appliance on

- ▶ Press **ON I OFF**.

8.2 Turning the appliance off

Switch off your appliance when you do not need to use it.

- ▶ Press **ON I OFF**.

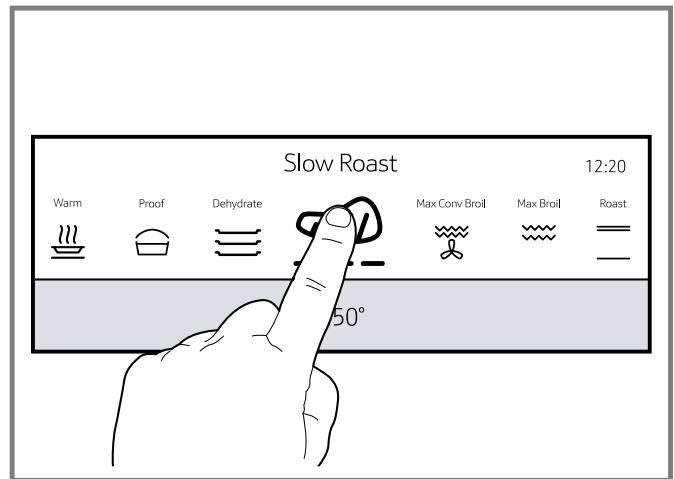
If no settings are applied for a long time, the appliance switches itself off automatically.

- ✓ The cooling fan may continue to run.

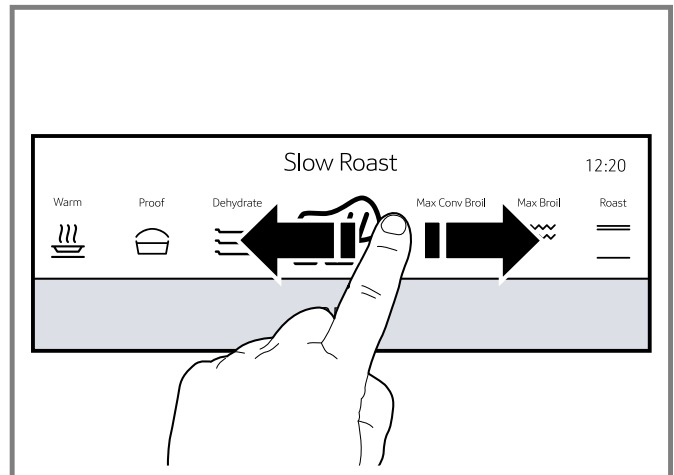
- ✓ Certain indicators remain visible on the display after the appliance has been switched off, for example the residual heat notification.

8.3 Operating the full-touch display

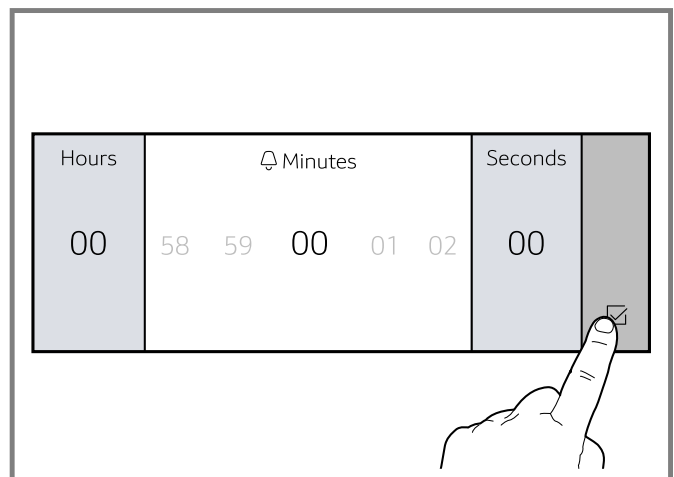
1. Touch the desired area on the display to select an option.




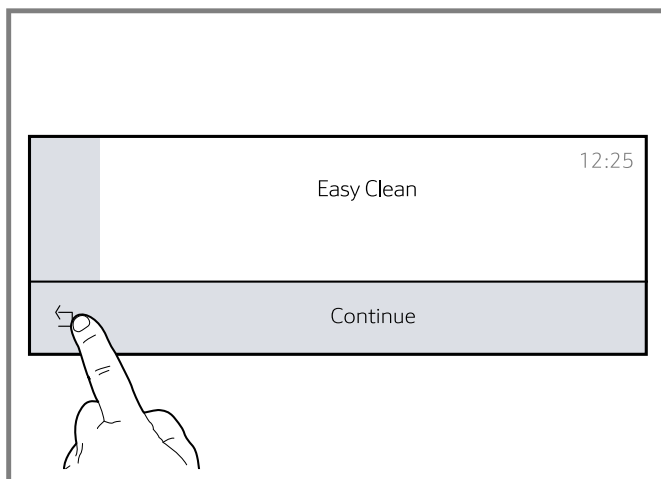
2. Swipe to the left or right to move through the various settings.





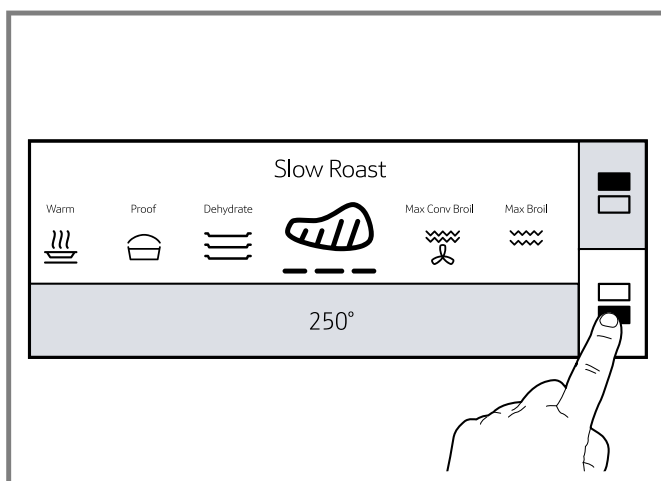
- ✓ The setting that is in focus appears larger and blue.
3. In some instances settings need to be confirmed by touching .



4. Some operations allow you to return to the previous screen by touching 



5. For double ovens, you have to select the desired oven cavity first. Touch  to select the upper oven, touch  to select the lower oven.



The oven cavity icons light up in different colors:

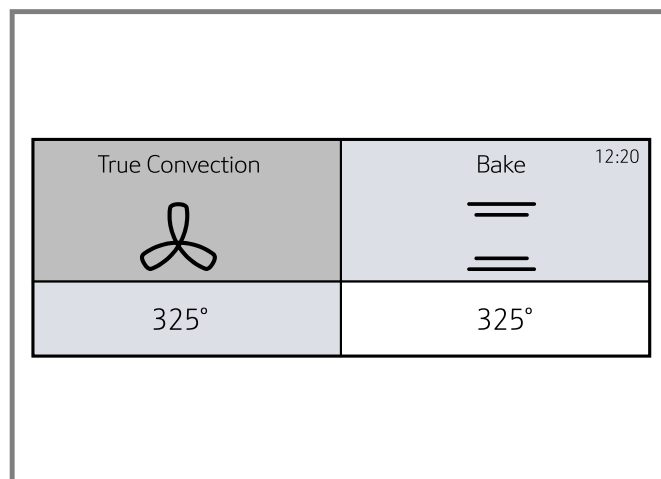
Color of cavity icon	Meaning
Blue	The oven cavity is selected, proceed to make settings.
White	The oven cavity is operating.
Gray	The oven cavity is inactive.

8.4 Setting the heating mode and temperature

1. Select the desired oven cavity.
2. Press **ON I OFF**.
 - ✓ The heating modes menu appears on the display.
3. Swipe to the left or right in the top line of the display until the desired heating mode is in focus.
 - ✓ The default temperature is displayed in the bottom line of the display.
4. Swipe to the left or right in the bottom line of the display until the desired temperature is in focus.

5. Press **START I STOP**.

- ✓ The oven begins to preheat. The preheat bar begins to fill in.
6. Select the other oven cavity and make the desired settings.
- You can only make settings for one oven cavity at a time.
- ✓ The settings for both oven cavities are shown side by side on the display. The upper oven settings are shown in the left half, the lower oven settings are shown in the right half of the display. Select an oven cavity by touching the display half of the desired oven cavity.



7. If you want to adjust settings, touch the display half of the desired oven cavity and adjust the desired setting.

8.5 Changing the heating mode or temperature

1. For double ovens: Select the desired oven cavity.
2. Touch the area of the setting you want to change.
3. Swipe to change the setting.
 - ✓ The appliance continues operation with the changed settings.

8.6 Canceling a heating mode

1. Select the desired oven cavity.
2. Press **START I STOP**.

8.7 Heating time limitation

The maximum heating time is limited. If you forget to turn off the oven, it turns off automatically after a set period of time.

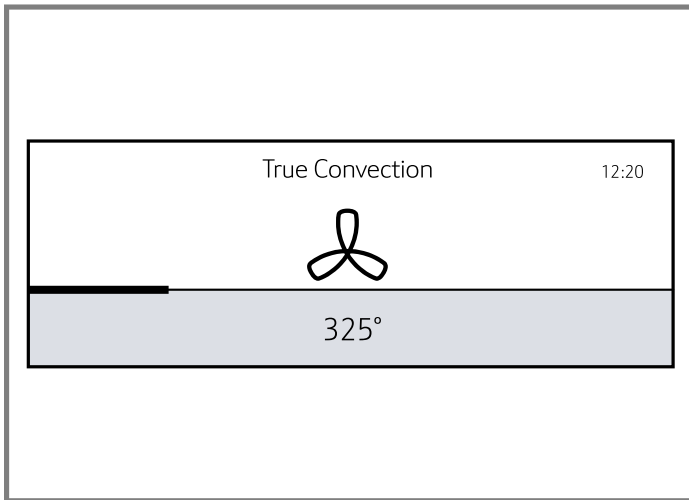
The maximum time for Sabbath mode is 74 hours. For all other heating modes the maximum allowed time is 24 hours.

Temperature °F (°C)	Max. time allowed without activity
100 - 200 (30 - 120)	24 hours

Temperature °F (°C)	Max. time allowed without activity
201 - 550 (121 - 300)	12 hours

8.8 Preheating

Place the food into the oven after preheating is complete. As soon as a new heating mode is started, the preheating bar appears on the display. The preheating bar indicates the temperature increase in the oven cavity. When the oven is fully preheated, a signal tone sounds.



8.9 Fast preheat

With this function you can shorten the time the oven needs to reach the set temperature.

Fast preheat is available for the following heating modes:

- "True Convection"
- "Convection Bake"
- "Bake"
- "Roast"
- "Convection Roast"

Note: If the **FAST PREHEAT** touch key lights up, the function can be activated.

Setting fast preheat

To achieve an even cooking result, wait until fast preheat is complete before placing your food or accessories into the oven cavity.

1. Set the desired heating mode and temperature.
2. Press **START | STOP**.
3. Press **FAST PREHEAT**.
 - ✓ lights up on the display.
 - ✓ When the set temperature is reached, the function turns off automatically. The indicator turns off.
4. Place the food into the oven cavity.

Note: You can turn off fast preheat manually by pressing **FAST PREHEAT**.

8.10 Turning the panel lock on or off

With the panel lock you can disable all touch keys on the control panel.

Note: Depending on your model your appliance may not have a **LOCK** touch key. For these models the **TIMERS** touch key activates the panel lock.

Requirement: The oven is in standby mode.

1. Press and hold **LOCK** for 4 seconds.
 - ✓ The panel lock is activated.
2. Press and hold **LOCK** again for 4 seconds to turn off the panel lock.
 - ✓ The display returns to standby mode.

8.11 Meat probe

The meat probe measures the internal temperature of the food. You can set a core temperature and the heating mode turns off automatically as soon as the set temperature is reached.

The multi-point meat probe measures the temperature in three different areas of your food ensuring the most accurate cooking results.

WARNING

Use of a wrong meat probe can damage the insulation.

- ▶ Use only the meat probe intended for this appliance.

Suitable heating modes:

- "True Convection"
 - "Convection Bake"
 - "Bake"
 - "Convection Roast"
 - "Roast"
 - "Slow Roast"
- The meat probe measures the temperature on the inside of the food between 85°F (30°C) and 210°F (99°C).
 - To prevent the meat probe from being damaged, do not set an oven temperature above 480°F (250°C).
 - Use only the meat probe supplied with your appliance. Additional or replacement meat probes can be ordered from Customer Service.
 - Do not store the probe in the oven cavity. Always remove the meat probe from the oven cavity after use.

Inserting the meat probe

Requirements

- Food must be completely thawed before inserting the probe into the meat.
 - The probe ships with a black plastic safety cap over the pointed metal end of the probe. The cap must be removed prior to use.
1. Insert the tip of the probe in the middle and thickest part of the meat or the breast for poultry. Make sure the probe is not touching fat, bone or parts of the oven or the pan.

Always use the handle of the probe for inserting and removing.

Note: The handle of the probe becomes hot during cooking. Always use oven mitts when touching the probe handle.

2. Insert the plug of the probe into the socket at the side of the oven cavity.

Push the probe in all the way and pull back until it catches in the socket.

Setting the meat probe

⚠ WARNING

The oven interior and the meat probe become very hot.

- ▶ Use oven mitts to plug and unplug the meat probe.

1. Insert the meat probe into the food.
→ "Inserting the meat probe", Page 20
2. Insert the plug of the probe into the socket at the side of the oven cavity.
 - ✓ lights up on the display.
3. Close the appliance door.
4. Set the desired heating mode and temperature.
5. Touch .
6. Touch and swipe to the left or right to select the required core temperature.

The set oven cavity temperature must be at least 50°F (10°C) higher than the meat probe temperature.

7. Press **START | STOP**.
 - ✓ The current and the target temperature of the probe are displayed.
 - ✓ When the set probe temperature is reached, the heating mode turns off.
8. Unplug the meat probe from the socket.

8.12 Rotisserie

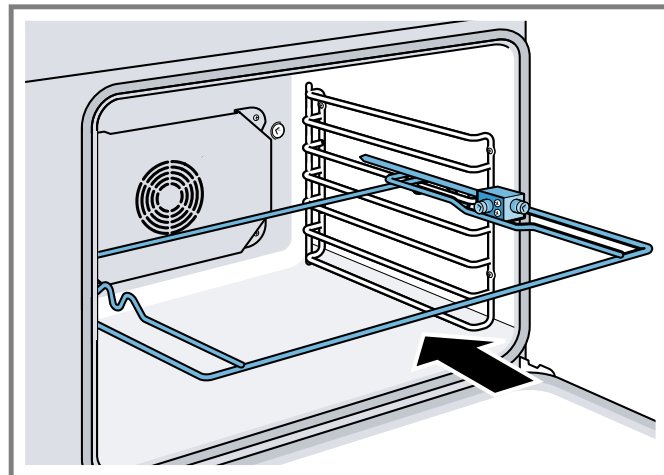
The rotisserie uses heat radiated from the broil element. The food is slowly turned on a skewer in the center of the oven. This mode helps seal in flavor and juices while allowing the meat to be cooked without the addition of fats or liquids.

The rotisserie mode is best suited for cooking large pieces of meat, such as a whole chicken, turkey or a large roast. General notes:

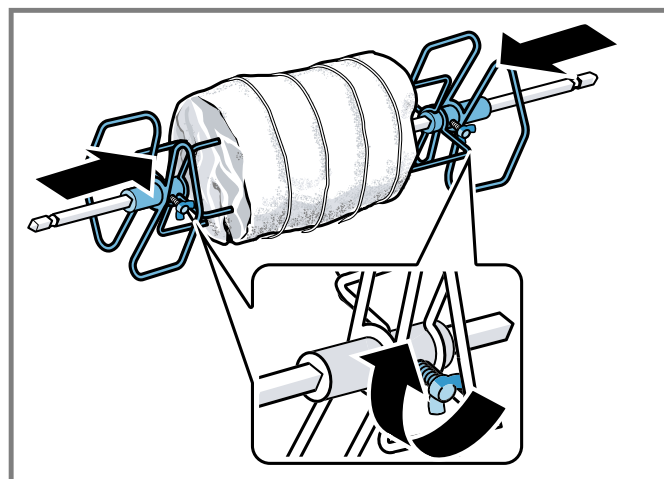
- The maximum weight allowed for the rotisserie is 12 lb (6 kg).
- Use a meat thermometer to check the internal temperature of the meat.
- The allowed temperature range is 175 - 550°F (80 - 290°C).

Assembling the rotisserie

1. Insert the rotisserie rack half way into the oven on rack position 5.

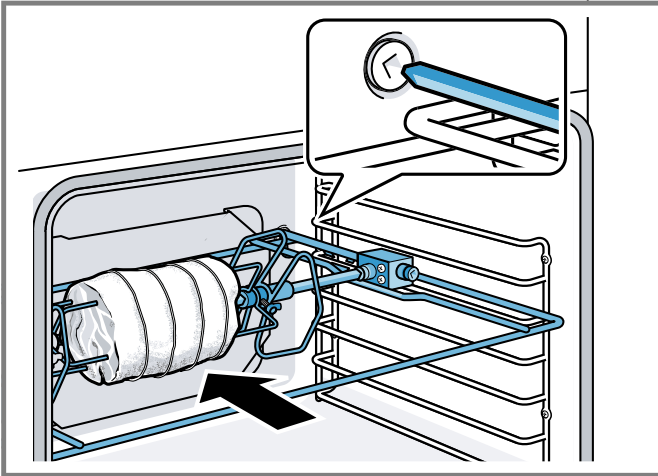


2. Slide the left fork into the skewer and tighten the screw.
3. Slide meat or poultry for roasting onto the skewer.
4. Slide the right fork onto the skewer and tighten the screw.
5. Check the balance of the food on the skewer by rolling the skewer in the palms of your hands. Food that is not evenly balanced on the skewer will not cook evenly.



6. Place the rotisserie skewer onto the rack.

7. Place the skewer rack into the oven and insert the drive shaft into the opening on the back oven wall.

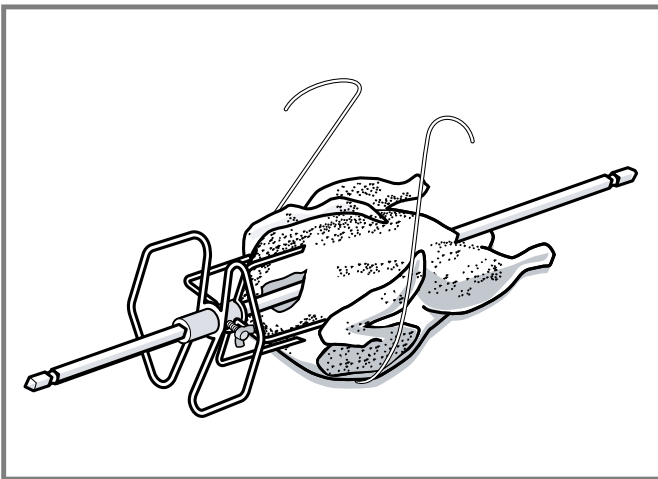


If necessary, turn the rotisserie skewer slightly so that the drive shaft fits properly into the opening.

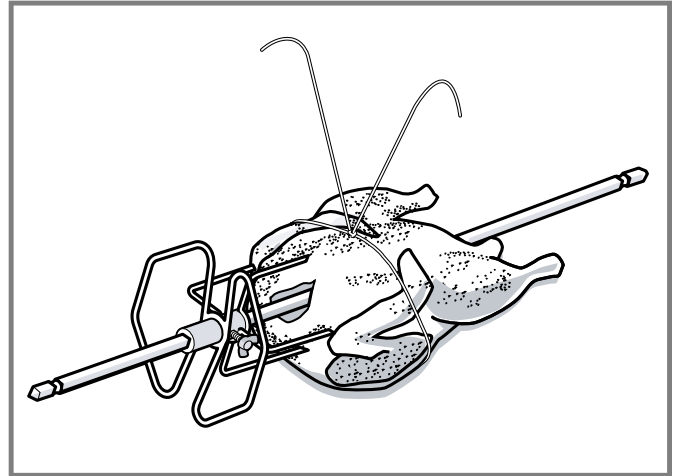
8. Insert the rack on position 1 and use the broiler pan to catch drippings.

Trussing poultry for the rotisserie

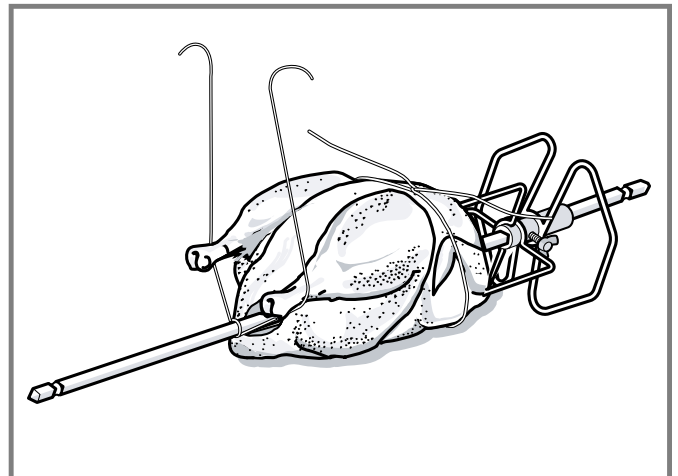
1. Slip one of the forks onto the skewer with the tines pointing to the tip of the skewer. Loosely tighten the screw to keep it from slipping.
2. Insert the skewer through the poultry securing the poultry with the fork.
3. Cut 24" (61 cm) of kitchen string and lay it under the poultry, breast side up, with equal lengths of string on each side.



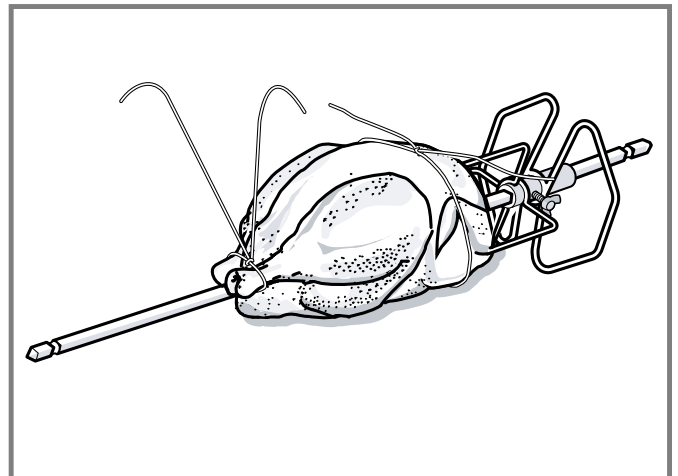
4. Wrap each end of the string around each of the wings. Catch each wing tip as you bring the string tightly together at the top and knot it. Do not cut off the extra string.



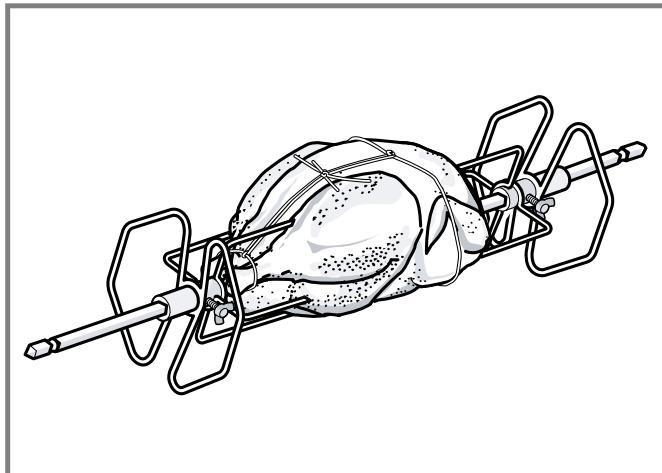
5. Cut another 24" (61 cm) of string and lay it under the back. Wrap it around the tail and then around the skewer. Cinch tightly.



6. Pull the legs forward, cross them on top of the skewer. Bring the string around and tie a knot.



7. Connect the string holding the legs to the string holding the wings and knot them together. Add the other fork and push the tines into the drumsticks to secure.



8. Check the balance by rolling the skewer in your palms. The poultry should not rotate or be loose in any way. If it does, redo the trussing.

The poultry will not cook evenly if it is not balanced on the skewer.

Starting the rotisserie mode

1. Select the rotisserie mode.
 - ✓ The default temperature is 400°F (200°C) is displayed.
2. Swipe to adjust temperature and press **START | STOP**.

Cooking recommendations for rotisserie

Here you can find recommendations for cooking different foods with the rotisserie mode.

Beef

Food item	Weight in lb	Oven temperature in °F (°C)	Time in min./lb	Internal food temperature in °F (°C)
Rib eye roast, medium rare	3 - 5.5	400 (200)	17 - 23	145 (65)
Rib eye roast, medium	3 - 5.5	400 (200)	18 - 27	160 (70)

Pork

Food item	Weight in lb	Oven temperature in °F (°C)	Time in min./lb	Internal food temperature in °F (°C)
Loin roast, boneless	1.5 - 4	400 (200)	16 - 24	145 (65)
Loin roast, boneless	1.5 - 4	400 (200)	20 - 26	160 (70)

Poultry

Food item	Weight in lb	Oven temperature in °F (°C)	Time in min./lb	Internal food temperature in °F (°C)
Chicken, whole	4 - 8	450 (230)	12 - 17	165 (75)
Turkey, whole	10 - 12	400 (200)	10 - 12	165 (75)
Turkey breast	4 - 7	400 (200)	16 - 19	165 (75)
4 Cornish hens	1.5 each	450 (230)	60 - 70 total	165 (75)

Lamb

Food item	Weight in lb	Oven temperature in °F (°C)	Time in min./lb	Internal food temperature in °F (°C)
Leg, boneless, medium	4 - 6	400 (200)	20 - 23	160 (70)
Leg, boneless, well	4 - 6	400 (200)	27 - 29	170 (75)

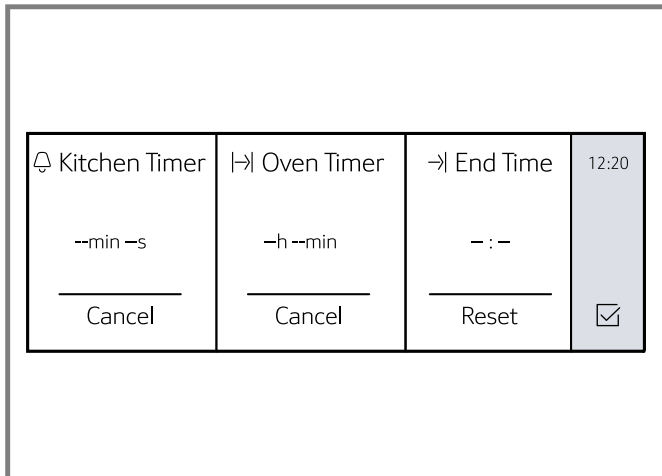
9 Timer functions

Your appliance has various time setting functions.

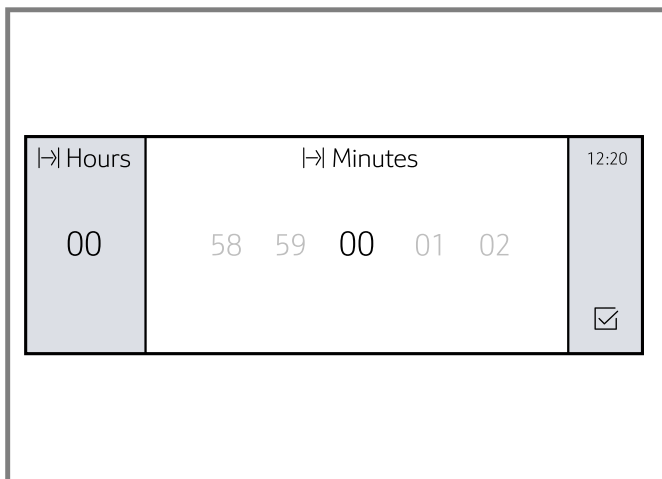
9.1 Setting the oven timer

If you set an oven timer, operation of the oven stops automatically once this time has elapsed.

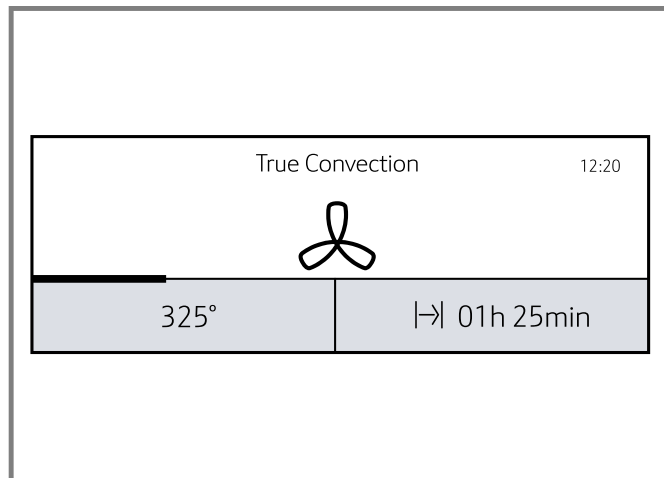
1. Set a heating mode and temperature.
2. Press **TIMERS**.



3. Touch "Oven Timer".
4. Swipe to the left or right to select the desired value. You can set hours and minutes.



5. Touch .
6. Press **START | STOP**.
 - ✓ The oven timer begins to count down.
 - ✓ The timer value and are displayed in the bottom line of the display.



- ✓ When the time has elapsed, signal sounds. A notification is shown on the display.

Editing or canceling the oven timer

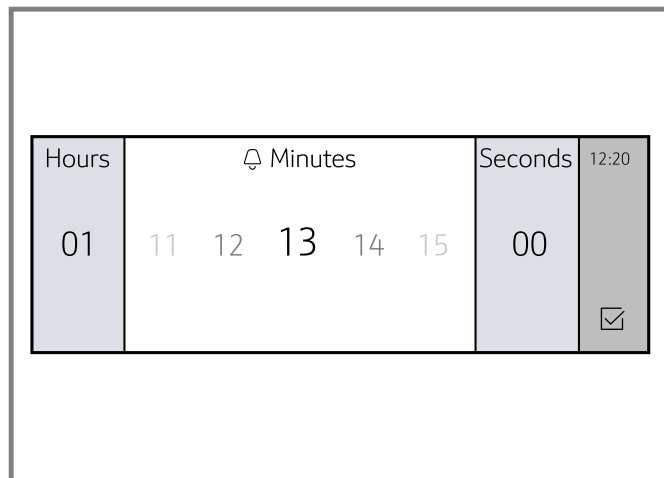
1. Press **TIMERS**.
2. Select "Oven Timer".
3. Set a new value and touch . To cancel the oven timer select 0 or touch "Cancel".

9.2 Setting the kitchen timer

The kitchen timer is a countdown timer that has no affect on oven heating.

Note: You can set the kitchen timer when the appliance is turned on or off.

1. Press **TIMERS**.
2. If the appliance is switched on, touch "Kitchen Timer".
3. Swipe to the left or right to select the desired value. You can set hours, minutes and seconds.



4. Touch .
 - ✓ The kitchen timer begins to count down.
 - ✓ The timer value and are displayed in the top left corner of the display.
 - ✓ When the time has elapsed, a signal sounds. A notification is shown on the display.

Editing or canceling the kitchen timer

1. Press **TIMERS**.
2. Select "Kitchen Timer".
3. Set a new value and touch . To cancel the kitchen timer select 0 or touch "clear".

9.3 Setting delayed operation with End Time

With this feature you can program your oven to finish a heating mode at a predetermined time.

CAUTION

Food might spoil when left standing for too long.

- ▶ To maintain food safety, do not leave food in the oven for more than one hour before or after cooking.

1. Place the food onto the appropriate accessory in the oven cavity and close the appliance door.
2. Select the desired oven cavity.
3. Set a heating mode and temperature.
4. Press **TIMERS**.
5. Set an oven timer and touch .
6. Press **TIMERS**.
7. Set an end time for delayed cooking.
8. Touch .
9. Press **START I STOP**.
 - ✓ The appliance waits until the appropriate time to start the operation.
 - ✓ When the time has elapsed, signal sounds. A notification is shown on the display.

Editing or canceling delay time

1. Press **TIMERS**.
2. Select "End Time".
3. Set a new value and touch . To cancel the end time select 0 or touch "Cancel".

9.4 Sabbath mode

The Sabbath mode enables those of particular faiths to use their ovens on the Sabbath.

- Sabbath mode has to be enabled in the basic settings menu.
- Sabbath mode automatically uses the heating mode "Bake". The heating mode cannot be changed.
- The temperature range may be set between 100 °F (38 °C) and 450 °F (230 °C).
- You can set a duration of up to 74 hours.
- Kitchen timer, oven timer and meat probe function are not available in Sabbath mode.
- Pressing any of the touch keys while the oven is in Sabbath mode will have no effect.
- If the oven light is on when you set Sabbath mode, the light remains on. If it is off when you set Sabbath mode, the light remains off.

- You can run Sabbath mode on one oven cavity or on both oven cavities at the same time. The two oven cavities share one Sabbath mode timer but you can set different temperatures for each oven cavity.

Setting the Sabbath mode

1. Press **ON I OFF**.
2. Select the desired oven cavity.
3. Scroll to the left or right to select "Sabbath".
 - ✓ "Bake" is set as the default heating mode and cannot be changed.
4. Set a temperature within the allowed temperature range in the bottom line of the display.
5. Touch .
6. Touch "Oven Timer" and set the desired time.
7. Touch .
8. Press **START I STOP**.
 - ✓ Sabbath mode starts after 5 minutes. During this time you can still make changes.
 - ✓ Once Sabbath mode has started, all controls apart from **ON I OFF** are disabled.
 - ✓ The operation is not interrupted if you open the appliance door.
 - ✓ Once the Sabbath mode duration has elapsed, a signal sounds. The appliance stops heating.
9. Press **ON I OFF**.

Canceling Sabbath mode

You can cancel the function at any time.

- ▶ Press **ON I OFF**.

9.5 Yom Tov mode

With Yom Tov mode, you can set a cooking time of up to 74 hours, during which you can select from six cooking temperatures.

Setting the Yom Tov mode

1. Press **ON I OFF**.
2. Select the desired oven cavity.
3. Scroll to the left or right to select "Yom Tov".
 - ✓ "Bake" is set as the default heating mode and cannot be changed.
4. Set a temperature within the allowed temperature range in the bottom line of the display.
5. Touch .
6. Touch "Oven Timer" and set the desired time.
7. Touch .
8. Press **START I STOP**.
 - ✓ Yom Tov mode starts after 5 minutes. During this time you can still make changes.
 - ✓ Once Yom Tov mode has started, all controls apart from **ON I OFF** are disabled.
 - ✓ Six temperatures are displayed on the display.
9. You can change the temperature by touching the desired field.

- ✓ The temperature is changed without response of the display.
- ✓ Once the Yom Tov mode duration has elapsed, a signal sounds. The appliance stops heating.

10. Press **ON I OFF**.

Canceling Yom Tov mode

You can cancel the function at any time.

- ▶ Press **ON I OFF**.

10 Basic settings


You can configure the basic settings for your appliance to meet your needs.

10.1 Overview of the basic settings

Here you can find an overview of the basic settings and factory settings. The basic settings depend on the features of your appliance.

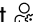
Setting	Option
Time of day	Time in hours and minutes
Language	<ul style="list-style-type: none"> ▪ English¹ ▪ Français ▪ Español
Clock format	<ul style="list-style-type: none"> ▪ 12 hr¹ ▪ 24 hr
Clock display	<ul style="list-style-type: none"> ▪ digital ▪ analogue
Temperature format	<ul style="list-style-type: none"> ▪ °F¹ ▪ °C
Weight format	<ul style="list-style-type: none"> ▪ lb¹ ▪ kg
Signal volume	<ul style="list-style-type: none"> ▪ 1 ▪ 2 ▪ 3 ▪ 4 ▪ 5
Key press sound	<ul style="list-style-type: none"> ▪ On ▪ Off
Display brightness	<ul style="list-style-type: none"> ▪ 1 ▪ 2 ▪ 3 ▪ 4 ▪ 5
Dark mode	Turn on dark mode for improved contrast. <ul style="list-style-type: none"> ▪ On ▪ Off
Standby mode	<ul style="list-style-type: none"> ▪ On ▪ Off
Start-up animation	<ul style="list-style-type: none"> ▪ On ▪ Off

¹ Factory setting (may vary according to model)

Setting	Option
Convection conversion	<ul style="list-style-type: none"> ▪ On ▪ Off¹
Temperature offset	<ul style="list-style-type: none"> ▪ Temp offset: Upper (-35°F to +35°F) (-20°C to +20°C) ▪ Temp offset: Lower (-35°F to +35°F) (-20°C to +20°C)
Sabbath mode	<ul style="list-style-type: none"> ▪ On ▪ Off
Home Connect	<ul style="list-style-type: none"> ▪ Wi-Fi: <ul style="list-style-type: none"> On Off ▪ Remote control <ul style="list-style-type: none"> On Off ▪ Disconnect from network ▪ Connect to app ▪ Show network status ▪ Customer Service access: <ul style="list-style-type: none"> Allow  Deny
Demo mode	Only available in the settings menu within 5 minutes after the appliance is connected to the power supply. <ul style="list-style-type: none"> ▪ On ▪ Off
Factory settings	Restore
Customer Service	Customer Service contact information

¹ Factory setting (may vary according to model)

10.2 Changing the basic settings

1. Press **ON I OFF**.
2. Press **MENU**.
3. Swipe to the left or right on the top line to select  "Settings".
4. Touch "Continue".
5. Swipe to the left or right on the top line to select the desired setting.
6. Swipe to the left or right in the bottom line to select the desired value.
7. Touch (for some settings).
8. Press **MENU**.
9. Touch "Save".

10.3 Oven temperature offset

The oven is calibrated to provide accurate results. This feature is useful if you prefer your foods lighter or darker.

- When an offset temperature is selected, the actual oven temperature is raised or lowered by this value.

- Do not use residential oven thermometers to evaluate oven temperatures as they will fluctuate throughout cooking.
- You can set a temperature offset from the factory baseline. Each time you call up the temperature offset option in the basic settings menu, the factory baseline temperature is restored so you can set a new offset value.

10.4 Auto convection conversion

Convection bake and convection multi-rack modes require a 25°F reduction in temperature. Auto convection conversion reduces the temperature you enter automatically.

- Simply enter the package or recipe temperature when setting the mode. The control calculates the correct temperature and it is shown in the display.

11 Warming drawer operation

Here you will find out everything you need to know about operating your warming drawer.

⚠ WARNING

Do not use aluminum foil or protective liners to line any part of the appliance, especially the oven bottom. Installing these liners may result in risk of electric shock or fire.

⚠ WARNING

Risk of fire

- ▶ DO NOT store flammable materials in the warming drawer. This includes paper, plastic or cloth items, such as cookbooks and towels, as well as flammable liquids.
- ▶ DO NOT use the warming drawer to heat towels.
- ▶ DO NOT store explosives, such as aerosol cans, in or near the drawer. Flammable materials may explode and result in fire or property damage.

⚠ CAUTION

Food might spoil when left standing for too long.

- ▶ To maintain food safety, do not leave food in the oven for more than one hour before or after cooking.

NOTICE:

Plastic containers or plastic wrap can melt if they come in direct contact with the drawer or a hot utensil. If it melts onto the drawer, it may not be removable.

IMPORTANT:

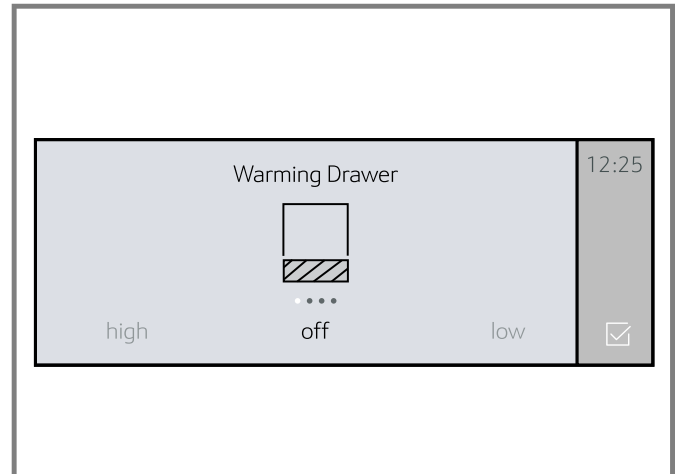
- Use ONLY heat-safe dishes in the warming drawer.
- The warming drawer will keep hot, cooked foods at serving temperature. Always start with hot food. DO NOT use the warming drawer to heat cold food other than crisping crackers, chips, and dry cereal or warming dishes or plates.
- The warming drawer will automatically shut off after 12 hours.

11.1 Turning the warming drawer on

Triple ovens include a warming drawer that is operated using the oven operating panel. These appliances will have a **DRAWER** touch button instead of the **LOCK** touch button.

Requirement: You can also use the warming drawer when the oven is turned off.

1. Press **DRAWER**.
2. Touch the bottom line and swipe to the left or right to select the desired intensity.



Available settings:

- High
- Medium
- Low
- Off

3. Touch .
- ✓ The warming drawer starts heating. If you do not touch the warming drawer starts heating automatically after some time.
- ✓ The warming drawer icon is displayed on the top left corner of the display as long as the warming drawer is running.

11.2 Turning the warming drawer off

Requirement: You can also use the warming drawer when the oven is turned off.

1. Press **DRAWER**.
2. Touch the bottom line, swipe to the left or right and select "Off".
3. Touch .

11.3 Getting the most out of your warming drawer

Keeping food warm

- ▶ You can leave food in the cookware it was prepared in. You can also transfer food to a heat-safe serving dish before placing it in the warming drawer. Aluminum foil may be used to cover food.

Warming plates and bowls

1. Place plates and bowls in the warming drawer.
2. Set the heat level to **HIGH**.
3. Allow the cookware to heat up slowly as the warming drawer preheats.
Note: DO NOT place cold plates in an already heated warming drawer. Placing a cold dish into a hot environment can cause the glass to expand rapidly, which may cause the cookware to break.
4. Use pot holders to remove hot plates after heating.

Crisping stale items

1. Use pot holders to remove hot plates after heating.
2. Set the heat level to **LOW**.
3. Preheat for 5 minutes, then place the dish in the warming drawer.
4. Check crispness after 45 minutes. Continue crisping if needed.

11.4 Warming drawer recommendations

Food/cookware	Level
Bacon ¹	high
Beef ¹ Medium rare	low
Beef ¹ Medium - well done	medium
Bread, quick ^{1, 2} Hard rolls, soft rolls, coffee cakes, biscuits, toast	medium
Casseroles ^{1, 2}	medium
Cereal, cooked ^{1, 2}	medium
Crisping stale items ¹	medium
Dough (to proof) ²	low
Eggs ^{1, 2}	high
Fried foods ¹	high
Gravy, cream sauces ^{1, 2}	medium
Ham, lamb, pork ^{1, 2}	medium
Pies ¹	medium
Pizza ¹	high
Potatoes, baked ^{1, 2}	high
Potatoes, mashed ^{1, 2}	medium
Poultry, roasted ^{1, 2}	medium
Seafood ^{1, 2}	medium
Vegetables ^{1, 2}	medium
Waffles, pancakes ¹	high
Plates	low
Plate of food ^{1, 2}	medium

¹ Preheat cookware

² Cover food

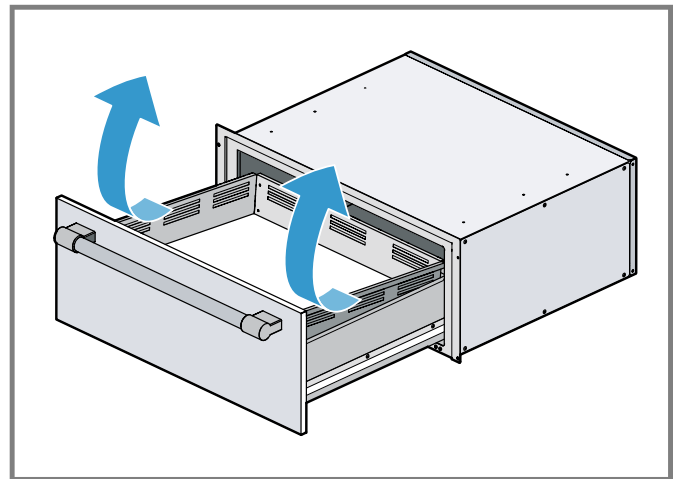
11.5 Removing the warming drawer insert

⚠ WARNING

Do not operate the warming drawer without the insert. The heating elements will become very hot and might cause injury.

Note: The picture show a warming drawer model with handle. Depending on the appliance model, individual details may differ.

1. Open the drawer fully.
2. Grasp the flange of the insert about midway on each side of the drawer and lift it for approximately 2" (3 cm).
3. While holding the insert up rotate the front of the insert upward to clear the front inside of the drawer.



4. With the insert removed, the drawer base can be cleaned if necessary. Special care must be taken to prevent any damage to the now exposed heating element below the drawer insert.

12 Home Connect®

This appliance may be network-capable. Connecting your appliance to a mobile device lets you control its functions via the Home Connect® app, adjust its basic settings and monitor its operating status.

The Home Connect® services are not available in every country. The availability of the Home Connect® function depends on the availability of Home Connect® services in your country. You can find information on this at: www.home-connect.com.

The Home Connect® app guides you through the entire registration process. Follow the instructions in the Home Connect® app to implement the settings.

Tips

- Consult the Home Connect® documents supplied.
- Follow the instructions in the Home Connect® app as well.

Notes

- Also note the safety information in this instruction manual and ensure that it is also observed when operating the appliance using the Home Connect® app.

- Operating the appliance on the appliance itself always takes priority. It is not possible to operate the appliance using the Home Connect® app during this time.
- In networked standby mode, the appliance requires a maximum of 2 watts.

12.1 Setting up Home Connect®

Requirements

- The appliance is connected to the power supply and is switched on.
- You have a mobile device with a current version of the iOS or Android operating system, e.g. a smartphone.
- The mobile device and the appliance are within range of your home network's WLAN signal.

1. Download the Home Connect® app.



2. Open the Home Connect® app and scan the following QR code.



3. Follow the instructions in the Home Connect® app.

12.2 Home Connect® settings

Adapt Home Connect® to your needs.

You can find the Home Connect® settings in the basic settings for your appliance. Which settings the display shows will depend on whether Home Connect® has been set up and whether the appliance is connected to your home network.

12.3 Changing the settings via the Home Connect® app

You can use the Home Connect® app to change the appliance settings and send them to the appliance.

Prerequisites for using the Home Connect®:

- The appliance is connected to the home network and to the Home Connect® app.
- In order to set the appliance via the app, Home Connect® must be activated in the basic settings. Activate Home Connect ON in the oven basic settings.
- The oven must be turned on.

12.4 Remote start

If you want to start an oven operation using your mobile device, you must activate Remote Start.

⚠ WARNING


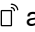
REMOTE OPERATION This appliance is configurable to allow remote operation at any time.

- ▶ Do not store any flammable materials or temperature sensitive items inside, on top or near surface units of the appliance.

Notes

- For some models a permanent Remote start can be activated via the Home Connect® app. This function allows a remote start of the available operating modes without automatically deactivating Remote start.
- Remote start can only be activated if the Home Connect® set-up has been successfully completed.
- Some operating modes can only be started on the oven itself.

Setting remote start

1. Press **MENU**.
2. Swipe to select  "Remote Start".
 - ✓  appears in the display.
 - ✓ When you start the oven operation on the appliance, remote start is automatically activated. You can make changes from your mobile device or start a new operation.


Note: If set to manual for remote control level, **REMOTE START** must be enabled the day you intend to use it. Opening the oven door after enabling **REMOTE START** will deactivate it in certain circumstances. If so, pressing **REMOTE START** will enable it again.

12.5 Setting remote control

You can use the Home Connect® app to easily access the functions of your oven.

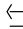
Notes

- You can select from three different remote control preferences.
- Operating the appliance directly from the oven always has priority. During this time, it is not possible to operate the oven using the Home Connect® app.
- The remote control is already activated when you connect your oven.
- If the remote control has been deactivated, only the oven's operating statuses will be displayed in the Home Connect® app.
- The remote control is automatically activated when remote start is activated.

1. Press **MENU**.
2. Swipe to the left or right on the top line to select  "Settings".
3. Touch "Continue".

4. Swipe to select "Home Connect".
5. Press "Open settings".
6. Swipe to select "Remote control".
7. Touch the bottom line and swipe to select the desired setting.

Setting	Function
Monitoring	You can view your appliance status remotely, but you cannot start or operate your appliance remotely.
Manual Remote Start	You can start and operate your device remotely, but you must press the Remote Start button on the appliance before you start the first remote operation and again after any instance where the door is opened. This is the default setting.
Permanent Remote Start	You can start and operate your appliance at any time without pressing any touch key on your appliance.
Off	No remote control possible.

8. Touch  to return to the "Home Connect" menu.

12.6 Remote diagnostics

The Customer Service can access your appliance via Remote Diagnostics if you ask them to do so, if your appliance is connected to the Home Connect® server and if Remote Diagnostics is available in the country where you are using the appliance.

Tip: Further information and details about the availability of Remote Diagnostics in your country can be found in the Service/Support section of your local website: www.home-connect.com.

12.7 Software update

The oven checks at regular intervals whether updates are available for the Home Connect® software.

To do this, you need to be a registered Home Connect® user, have installed the app on your mobile device and be connected to the Home Connect® server.

As soon as a software update is available, you will be informed by the Home Connect® app, from which you will also be able to download the update. Once the update has been successfully downloaded, you can start installing it via the basic settings of your oven, or the Home Connect® app if you are on your local area network. The Home Connect® app will notify you once installation is complete.

Notes

- You can continue to use your oven as usual while updates are downloading.
- Depending on your personal settings in the app, software updates can also be set to download automatically.

- We recommend that you install security updates as soon as possible.

12.8 Data Protection

Please see the information on data protection.

The first time your appliance is registered on a home network connected to the Internet, your appliance will transmit the following types of data to the Home Connect® server (initial registration):

- Unique appliance identification (consisting of appliance codes as well as the MAC address of the installed Wi-Fi communication module).
- Security certificate of the Wi-Fi communication module (to ensure a secure data connection).
- The current software and hardware version of your appliance.
- Status of any previous reset to factory settings.

This initial registration prepares the Home Connect® functions for use and is only required when you want to use the Home Connect® functions for the first time.

Note: Please note that the Home Connect® functions can be utilized only with the Home Connect® app. Information on data protection can be called up in the Home Connect® app.

13 Getting the most out of your appliance

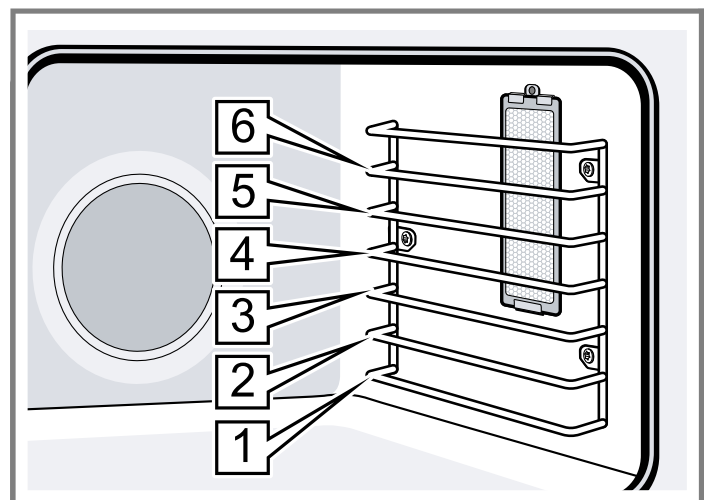
Here, you can find tips on how best to use the heating modes and accessories of your oven. You can also find recommended settings for various dishes as well as the best accessories and cookware.

Download the Home Connect® (America) app to access cooking tips and tricks, as well as get cooking inspiration.

13.1 Rack positions

Your oven has six rack positions. The rack positions are counted from bottom to top.

Use rack positions 1 through 6 only. DO NOT attempt to use the top guide to support an oven rack.



Rack position	Best for
6	Broiling hamburgers and 1" (2.5 cm) steaks
5	Broiling 1½" (4 cm) steaks, broiling most meats, melting cheese
4	Thicker meats
3	Broiling poultry, most baked goods on a cookie sheet or baking pan using a single rack, includes frozen convenience foods, cakes, casseroles, frozen pizza, Bundt® ¹ cakes
2	Small roasts or poultry, pies, breads
1	Large roasts, turkey, angel food cake

¹ These marks are registered trademarks of their respective owners. All other trademarks are trademarks of BSH Home Appliances Corporation or its affiliated companies.

Rack placement

One rack baking	Position the rack in the middle of the oven.
Two rack baking	Position the racks in the top and bottom of the oven.
Three rack baking	Space rack positions evenly apart.

13.2 Getting the best results

- Minimize opening the oven door.
- Use the rack position recommended by the recipe.
- Use the bakeware recommended in the recipe.
- Store pans outside the oven. An extra pan without food affects the browning and cooking.
- The type of pan used affects the browning.
 - For tender, golden brown crusts, use light non-stick/anodized or shiny metal pans.
 - For brown crisp crusts, use dark non-stick, anodized or dark, dull metal pans or glass bakeware. These may require lowering the bake temperature 25° F.

Preheating the oven

- Most cooking times in recipes are designed for a preheated oven and require that the oven already be at a certain temperature before cooking starts. Refer to your recipe for preheating recommendations.
- Preheating time depends on the temperature setting and the number of racks in the oven. Remove unused oven racks to shorten the preheat time.
- Preheating is not necessary for **ROAST** and **CONV ROAST**.

Bakeware type

- Metal bakeware with or without a non-stick finish, heat-proof glass, glass-ceramic, pottery, or other utensils are suitable for the oven.

- Suitable cookie sheets have a small lip on one side. Heavy sheets or those with more than one side may affect the baking time.

Pan placement

- Allow at least 1" (2.5 cm) of space between the pans and the oven walls so heat can circulate around each pan.
- Stagger bakeware so that one is not directly above another. Allow 1½" (4 cm) above and below each pan.

High altitude baking

When cooking at high altitudes, recipes and cooking times will vary. For accurate information, go to www.csuextstore.com, or write to the Extension Service, Colorado State University, Fort Collins, Colorado 80521. There may be a cost for the guides. Specify which high altitude food preparation guide you prefer: general information, cakes, cookies, breads, etc.

Condensation

It is normal for a certain amount of moisture to evaporate from the food during any cooking process. The amount depends on the moisture content of the food. The moisture will condense on any surface cooler than the inside of the oven, such as the control panel.

13.3 General tips for heating modes

How to use BAKE mode

Use the **BAKE** mode to prepare a variety of food items, from pastries to casseroles. Refer to recipe or package directions for oven temperature and baking time.

Note

- Fully preheat the oven before baking items like cakes, biscuits and breads.
- **BAKE** is the best function to use for baking cakes on two racks.
- Allow at least 2" (5 cm) of space between bakeware for proper air circulation.
- Dark or dull bakeware absorbs more heat than shiny bakeware, resulting in dark or over browned foods. It may be necessary to reduce oven temperature or cook time to prevent overbrowning of some foods.
- Shiny pans are recommended for cakes, cookies, and muffins.
- Do not open oven door often. Opening the door will reduce the temperature in the oven and may increase cook time.
- For cakes stagger pans so that one is not directly above the other.

How to use CONV BAKE mode

Use the **CONV BAKE** mode for bar cookies and breads. This mode takes advantage of the bottom heat, yielding a better crust on baked items.

The benefits of convection bake include a slight decrease in cook time and a higher dough volume, for example yeast items rise higher with this mode.

Note

- Reduce recipe temperature by 25° F.
- Place food in shallow, uncovered pans, such as cookie sheets without sides.
- If baking more than one pan on a rack, allow at least 1" to 1½" (2.5 to 4 cm) of air space around the pan.
- Allow at least 2" (5 cm) of space between bakeware for proper air circulation.
- For cakes stagger pans so that one is not directly above the other.

How to use TRUE CONV mode

Use true convection for cooking individual serving-sized foods such as cookies and biscuits. It is also good for cooking on multiple racks (2 or 3) at the same time. The benefits of **TRUE CONV** include even browning and time savings as a result of using multiple racks at one time.

Note

- Baking cookies is possible on 6 racks simultaneously. In this case, the baking time increases slightly.
- Reduce recipe temperature by 25° F if auto convection conversion is not activated.
- Place food in low-sided, uncovered pans such as cookie sheets without sides.
- If baking more than one pan on a rack, allow at least 1" to 1½" (2.5 to 4 cm) of air space around the pan.
- Stagger pans so that one is not directly above the other.

How to use PIZZA mode

Note

Follow these recommendations:

- There might be a slight decrease in baking time. Check before minimum package time.
- When baking a frozen pizza: For a crispy crust, place directly on the rack. For a softer crust, use a pizza pan.
- When proofing pizza dough, coat dough with olive oil and cover it in a bowl tightly with plastic wrap to prevent crust formation.
- If par baking handmade pizza dough, prick the dough with a fork before baking.
- If using a pizza pan, choose a dark, perforated pan for a more crisp crust and a non-perforated pan for a softer crust.
- Preheat baking stones following manufacturer's recommendations while the oven is preheating.
- Bake homemade pizzas on rack position 2 in the center of the rack.
- Follow manufacturer's directions for frozen pizza.
- The convection fan cycles on and off when using pizza mode.

How to use ROAST mode

Use **ROAST** mode for large cuts of meat and poultry.

Note

- Preheating the oven is not necessary.
- Use a high-sided broil pan or roasting pan. Cover dish with a lid or foil for less tender cuts of meat.
- For less tender cuts of meat, add liquids, such as water, juice, wine, bouillon or stock for flavor and moisture.
- Roasting bags and using a liquid are suitable for use in this mode.
- When roasting whole chicken or turkey, tuck wings behind back and loosely tie legs with kitchen string.
- When cooking large meats (e.g. turkey over 10 lbs) do not use the lowest rack position.

How to use CONV ROAST mode

Use the **CONV ROAST** mode for preparing tender cuts of meat and poultry. It is also suitable for roasting vegetables.

The benefits of **CONV ROAST** mode include as much as 25% faster cooking than non-convection modes and rich, golden browning.

Note

- Preheating the oven is not necessary.
- Use the same temperature as indicated in the recipe.
- Check doneness early, since roasting time may decrease.
- Do not cover meat or use cooking bags.
- Use a broil pan with a rack and grid or a shallow, uncovered pan with a rack for roasting.
- Use a meat thermometer to determine the internal temperature of the meat.
- If the meat is browned to your liking, but is not yet done, foil can be placed over the meat to prevent overbrowning.
- Let meat stand covered with foil 10-15 minutes after removing it from the oven.
- When cooking large meats (e.g. turkey over 10 lbs) do not use the lowest rack position.

How to use BROIL mode

The **BROIL** mode uses intense heat radiated from the upper element. Use this mode for cooking thin, tender cuts of meat, 1" (2.5 cm) or less, poultry and fish. It can also be used to brown breads and casseroles.

Note

- Always broil with the oven door closed.
- Preheat the oven for 3 to 4 minutes. Do not preheat for more than 5 minutes.
- Steaks and chops should be at least ¾" (2 cm) thick.
- Use the broil pan and grid or a deep pan with a metal rack, for broiling.
- Do not cover the broil grid with foil. It is designed to drain fats and oils away from the cooking surface to prevent smoking and spattering.
- Turn meats once during the recommended cook time. Fish does not need to be turned.
- When top browning casseroles, use only metal or glass ceramic dishes such as Corningware®.
- Never use heat-proof glass, such as Pyrex®; it cannot tolerate the high temperature.

How to use CONV BROIL mode

Use the **CONV BROIL** mode for cooking thick, tender cuts of meat, poultry and fish. This mode is not recommended for browning breads, casseroles and other foods. In addition to the benefits of standard broiling, convection broiling is faster.

Note

- Always use convection broil with the oven door closed.
- Preheat the oven for 3 to 4 minutes. Do not preheat for more than 5 minutes.
- Steaks and chops should be at least 1½" (4 cm) thick.
- Use the broil pan and grid or a deep pan with a metal rack, for broiling.
- Do not cover the broil grid with foil. It is designed to drain fats and oils away from the cooking surface to prevent smoking and spattering.
- Turn meats once during the recommended cook time. Fish does not need to be turned.
- Never use heat-proof glass, such as Pyrex®; it cannot tolerate the high temperature.

How to use PROOF mode

Use the **PROOF** mode to raise yeast dough.

Note

- Start with a cool oven when using this mode.
- Allow frozen dough to thaw first.
- The ideal temperature for proofing will be maintained until the mode is turned off. Dough has proofed when it has doubled in size.
- Loosely cover the bowl or pan and use any rack that accommodates the size of the container.
- Keep the door closed and use the oven light to check the rising of the dough.

Size	Time in min.
Loaf, 1 lb (4.5 kg)	60 - 75
Rolls, 0.1 lb (50 g)	30 - 45

How to use WARM mode

Use the **WARM** mode to keep hot, cooked foods at serving temperature.

CAUTION

- Food may spoil when kept warm for too long.
- ▶ Do not use the warm mode to heat cold food.
 - ▶ Be sure to maintain proper food temperature. The USDA recommends holding hot food at 140°F (60 °C) or warmer.
 - ▶ DO NOT warm food longer than one hour.

Note

- ALWAYS start with hot food. DO NOT use this mode to heat cold food other than for crisping crackers, chips, and dry cereal.

- Serving dishes, plates, and cups may be kept warm with this mode.
- Foods that must be kept moist should be covered with a lid or aluminum foil.
- Aluminum foil may be used to cover food. Use only heat-safe dishes.
- DO NOT open the oven door unnecessarily. Opening the door will reduce the temperature of the oven.
- When keeping cooked food warm, allow time for the oven to preheat before placing the item in the oven.

14 Cleaning and maintenance

To keep your appliance working efficiently for a long time, it is important to clean and maintain it carefully.

For more cleaning recommendations and tips to get the most out of your appliance, refer to the website:

- USA: www.thermador.com/us/support/customer-care
- Canada: www.thermador.ca/en/support/customer-care

WARNING

Do not clean the appliance while it is still hot. Some cleaners produce noxious fumes when applied to a hot surface. Wet clothes and sponges can cause burns from steam.

- For customers in the USA:
You can purchase suitable cleaners from Customer Support or in our online shop www.thermador.com/us/accessories.
- For customers in Canada:
Visit this web page to learn how to purchase cleaners for your appliance, www.thermador.ca/en/support/filters-cleaners-accessories.

14.1 Cleaning agents

Only use suitable cleaning agents to avoid damage to the appliance surfaces.

Brand names

- The use of brand names is intended only to indicate a type of cleaner. This does not constitute an endorsement.
- The omission of any brand name cleaner does not imply its adequacy or inadequacy.
- Many products are regional in distribution and can be found in local markets.
- It is imperative that all cleaning products be used in strict accordance with the instructions on its package.

Avoid these cleaners

Do not use commercial oven cleaners such as Easy Off®¹. They may damage the oven finish or parts. Chlorine or chlorine compounds in some cleansers are corrosive to stainless steel. Check ingredients on label. Never use scouring pads or abrasive cleaners.

¹ These marks are registered trademarks of their respective owners. All other trademarks are trademarks of BSH Home Appliances Corporation or its affiliated companies.

⚠ WARNING

Be sure the entire appliance (including the light bulb) has cooled and grease has solidified before attempting to clean any part of the appliance.

⚠ WARNING

To avoid risk of electrical shock, DO NOT use a steam cleaner or high pressure cleaners to clean the appliance. Penetrating moisture may cause electrical shock.

14.2 Cleaning the conventional oven

Here you can find information on cleaning the conventional oven cavity.

Self clean function

With pyrolytic self cleaning the oven is heated to a very high temperature. Stubborn soil is burnt off and can be wiped out after self clean is finished and the oven has cooled.

After the completion of a self-clean cycle, the oven will not allow you to start another self-clean cycle for 24 hours. For a double oven, if one cavity runs self clean, neither cavity may operate a self clean cycle for 24 hours.

Preparing self clean

⚠ WARNING

During the elimination of soil during self-cleaning, small amounts of carbon monoxide can be created and the fiberglass insulation could give off very small amounts of formaldehyde during the first several cleaning cycles.

- ▶ To minimize exposure to these substances, provide good ventilation with an open window, or use a ventilation fan or hood.

During the self clean cycle, parts of the appliance may become potentially harmful to persons who lack adult knowledge of appliances and adult reactions to potentially harmful conditions.

- ▶ Children should not be left alone or unattended in an area where appliances are in use.

The oven heats up to a very high temperature during self cleaning. Opening the door can result in injury.

- ▶ When self-cleaning, confirm that the door locks and will not open.
- ▶ If the door does not lock, do not run Self Clean. Contact Customer Service.

⚠ CAUTION

Remove broiler pans, pots, and other utensils and excess spillage before self-cleaning.

Do not leave food or cooking utensils, etc., in the oven during the pyrolytic self-cleaning mode of operation.

⚠ CAUTION

The oven vents are important for air circulation. Covering the oven vents will cause the oven to overheat. Refer to the appliance overview for the location of the oven vents.

→ "Oven cavity components", Page 11

- ▶ Do not obstruct oven vents.



NOTICE:

Do not clean parts or accessories with the self clean function.

1. Remove all accessories, racks and rack guides from the oven.
2. Wipe out excessive spillage from the oven cavity.

Starting self clean

Requirement: You have carried out the steps for preparing the oven for self clean → Page 34.

1. Select the lower oven cavity .
2. Press **MENU**.
3. Swipe to select "Self Clean" .
4. Select a cleaning intensity according to the amount of soiling.

Intensity level	Duration (excluding cool off)
high	3 hours
medium	2½ hours
low	2 hours

5. Touch "Continue".
6. Press **START I STOP**.
 - ✓ The oven door locks automatically.
 - ✓ When self clean is finished, a signal sounds and the appliance is turned off.
 - ✓ The door remains locked until the appliance has cooled off.
7. Wipe the remaining ash from the oven with a moist cloth.

Note: After the self clean cycle is completed, the appliance will not allow you to start another self clean cycle for 24 hours.

Easy clean

This function makes it easier to clean the bottom of the oven cavity. Food and food spills are soaked and can then be removed more easily.

Setting easy clean for the conventional oven


⚠ CAUTION

Hot steam can arise due to water in the hot oven cavity.

- ▶ Never pour water into the hot oven cavity.

Note: Do not open the appliance door during operation, or the function will be interrupted.

Requirement: The oven cavity has cooled off.

1. Place the wire rack on level 3. Remove all other racks and accessories from the oven cavity.
2. Mix 2 cups of water and ½ cup of vinegar into the broiler pan and place it on the wire rack.
3. Press **ON I OFF**.
4. Select the lower oven cavity.
5. Press **MENU**.
6. Swipe to select "Easy Clean" .

7. Touch the bottom line of the display.
8. Press **START | STOP**.
 - ✓ The cleaning time counts down on the display.
9. Carry out the steps for subsequent cleaning.

Subsequently cleaning the oven cavity after the cleaning function

Clean the oven cavity manually as soon as it has cooled off after the cleaning function.

NOTICE:

Moisture in the oven cavity can cause damage to the surfaces.

- ▶ Remove remaining water from the oven cavity promptly.
- ▶ Do not leave the remaining water in the oven cavity for a long time, for example overnight.

- ▶ Do not operate the appliance when the oven cavity is still wet or damp.
1. Open the appliance door and remove the remaining water with an absorbent sponge cloth.
 2. Clean the smooth surfaces in the oven cavity with a dish cloth or a soft brush. Stubborn residues can be removed using a soft scouring pad.
 3. Remove limescale with a cloth soaked in vinegar and wipe it with clean water. Rub the oven cavity dry with a soft cloth; also dry under the door seal.
 4. Turn the appliance off.
 5. Leave the appliance door ajar in the stop position (approx. 30°) for about one hour to allow the enamel surfaces in the oven cavity to dry thoroughly.

Cleaning recommendations

Clean only those parts of you oven that are listed in this cleaning chart.

Part	Suitable cleaning method	Recommendations
Flat rack	<ul style="list-style-type: none"> ■ Wash with soapy water. ■ Rinse thoroughly and dry, or gently rub with cleansing powder or soap-filled pads as directed. 	<ul style="list-style-type: none"> ■ DO NOT CLEAN USING THE SELF CLEAN FUNCTION. ■ If the flat racks remain in the oven during the self clean mode, they will loose their shiny finish and may not glide smoothly. If this happens, wipe the rack edges with a small amount of vegetable oil. Then wipe off excess oil.
Telescopic rack	<ul style="list-style-type: none"> ■ Wash with soapy water. ■ Rinse thoroughly and dry, or gently rub with cleansing powder or soap-filled pads as directed. 	<ul style="list-style-type: none"> ■ DO NOT CLEAN USING THE SELF CLEAN FUNCTION. ■ Avoid getting cleansing powder in the telescopic slides. Re-lubrication may become necessary. Use only high-temperature food-grade lubricants to re-lubricate the slides.
Door gasket	<ul style="list-style-type: none"> ■ None 	<ul style="list-style-type: none"> ■ DO NOT CLEAN THE DOOR GASKET. ■ The door gasket is essential for a good seal. Care should be taken not to rub, damage, or move the gasket.
Glass	<ul style="list-style-type: none"> ■ Wash with soap and water or glass cleaner. ■ Use Fantastik®¹ on a clean sponge or paper towel and wipe clean. 	<ul style="list-style-type: none"> ■ Avoid using powder cleaning agents, steel wool pads and oven cleaners.
Painted surfaces	<ul style="list-style-type: none"> ■ Clean with hot soapy water or apply Fantastik®¹ to a clean sponge or paper towel and wipe clean. 	<ul style="list-style-type: none"> ■ Avoid using powder cleaning agents, steel wool pads and oven cleaners.
Porcelain surfaces	<ul style="list-style-type: none"> ■ Immediately wipe up acid spills like fruit juice, milk, and tomatoes with a dry cloth. ■ When cool, clean with hot soapy water or apply Bon-Ami®¹ or Soft Scrub®¹ to a damp sponge. Rinse and dry. ■ For stubborn stains, use soap-filled pads. 	<ul style="list-style-type: none"> ■ Do not use a moistened sponge/cloth on hot porcelain. It is normal for porcelain to show fine lines with age due to exposure to heat and food soil.

¹ These marks are registered trademarks of their respective owners. All other trademarks are trademarks of BSH Home Appliances Corporation or its affiliated companies.

Part	Suitable cleaning method	Recommendations
Heat resistant enamel and polished components in the oven cavity	<ul style="list-style-type: none"> Use the self clean function for heavy soiling. 	<ul style="list-style-type: none"> These surfaces can become discolored over time. This is normal and does not affect operation. Do not use scouring pads or abrasive cleaners to treat discolorations.
Stainless steel surfaces	<ul style="list-style-type: none"> Clean with soapy water and soft cloth, then rinse and dry with a soft cloth. Condition steel with the Thermador Stainless Steel Conditioner (part # 00576697). Remove water spots with a cloth dampened with white vinegar. Remove heat discoloration with Bar Keeper's Friend®¹. 	<ul style="list-style-type: none"> Never allow food stains or salt to remain on stainless steel for any length of time. Always wipe or rub in the direction of the grain. Chlorine or chlorine compounds in some cleansers are corrosive to stainless steel. Check the ingredients on the label of the cleanser.
Plastic and controls	<ul style="list-style-type: none"> When cool, clean with soapy water, rinse and dry. 	
Probe	<ul style="list-style-type: none"> Wipe with soapy water. 	<ul style="list-style-type: none"> Do not submerge in water. Do not wash in the dishwasher.
Rotisserie spit	<ul style="list-style-type: none"> Clean with soapy water and a dish cloth or brush. 	<ul style="list-style-type: none"> Do not soak or clean the rotisserie spit drive in the dishwasher.
Printed areas (words and numbers)		<ul style="list-style-type: none"> Do not use abrasive cleaners or petroleum based solvents.

¹ These marks are registered trademarks of their respective owners. All other trademarks are trademarks of BSH Home Appliances Corporation or its affiliated companies.

14.3 Cleaning the warming drawer

Part	Suitable cleaning method	Recommendations
Warming drawer interior	<ul style="list-style-type: none"> Wash with soapy water. Rinse thoroughly and dry. For hard water spots or scale, use white vinegar. Apply with a sponge or cloth, rinse, and dry. 	<ul style="list-style-type: none"> Chlorine or chlorine compounds in some cleansers are corrosive to stainless steel. Check ingredients on label. You can remove the warming drawer insert for easier cleaning. → "Removing the warming drawer insert", Page 28

14.4 Maintenance

Replacing a conventional oven light bulb

When the conventional oven light fails you can exchange the light bulb.

⚠ WARNING

Light socket is live when door is open if main power supply is not turned off.

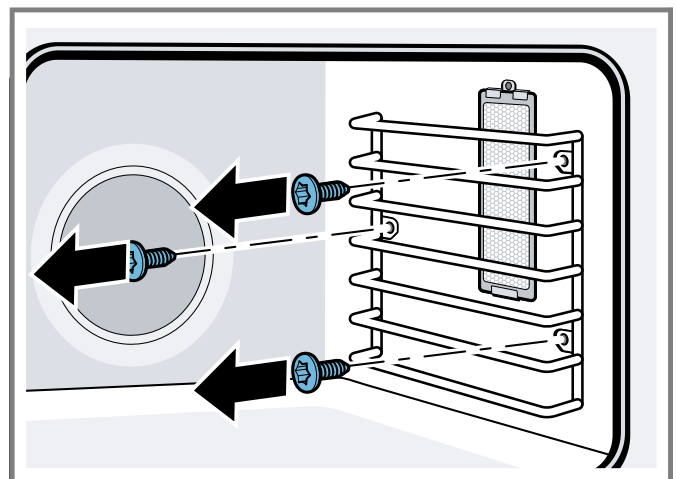
- ▶ Turn off main power supply at the service panel before changing the light bulbs.

⚠ WARNING

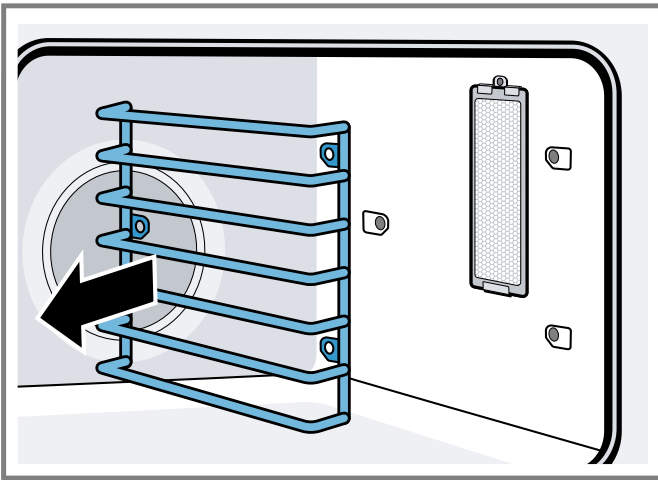
Make sure the appliance and lights are cool and power to the appliance has been turned off before replacing the light bulb(s). Failure to do so could result in electrical shock or burns.

- ▶ The lenses must be in place when using the appliance.
- ▶ The lenses serve to protect the light bulb from breaking.
- ▶ The lenses are made of glass. Handle carefully to avoid breaking. Broken glass can cause an injury.

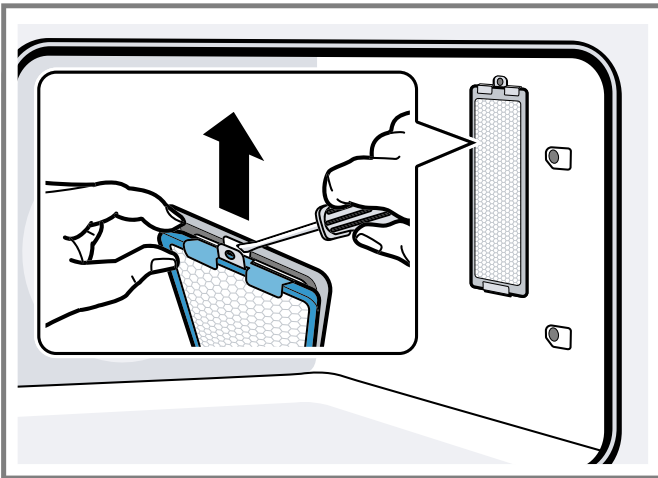
1. Turn off the power to the oven at the main power supply in the fuse or breaker box.
2. Remove the 3 screws that hold the oven rails in place.



3. Detach the oven rails to access the bulb housing.

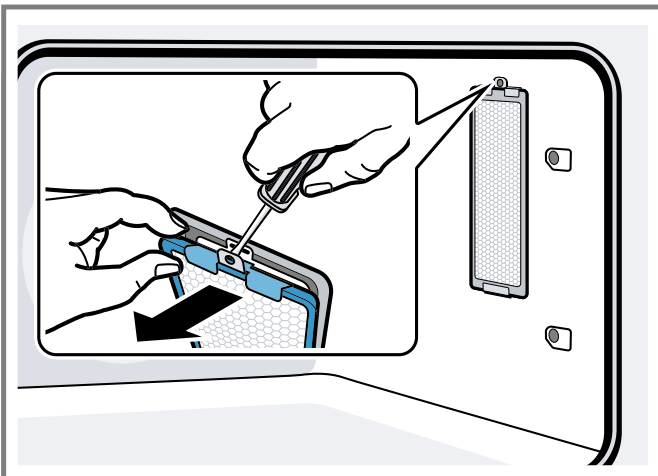


4. Remove the screw from the top of the bulb housing.
5. Insert the tip of a narrow flat-blade screwdriver between the metal clips at about a 40° angle.

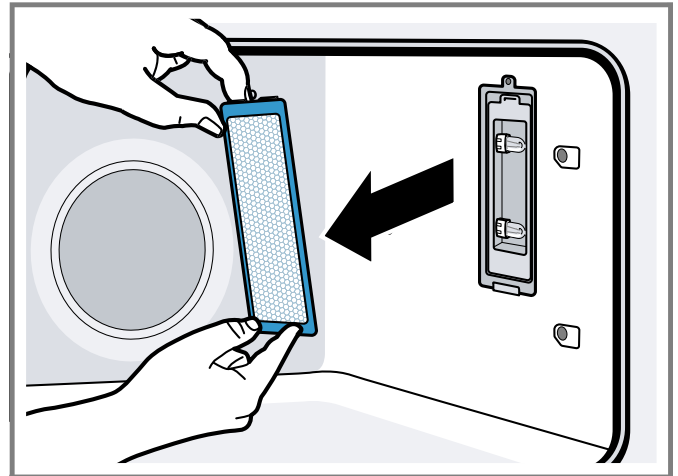


The screwdriver blade must be able to pass between the metal clips to reach the inner catch.

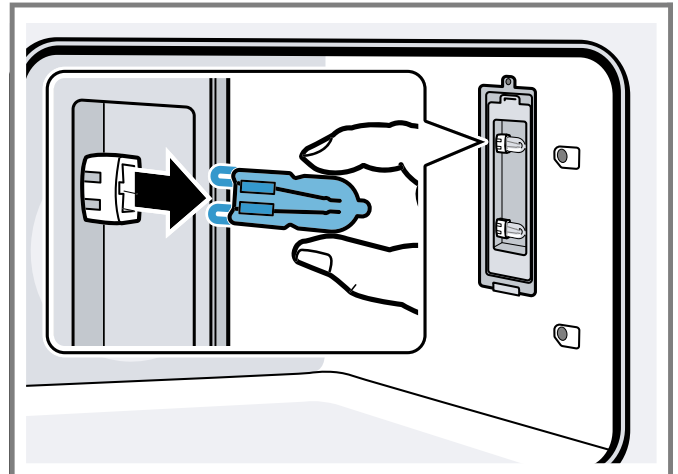
6. Push the screwdriver blade inward to disengage the catch from the slot in the bulb housing. Gently pry the lens off by moving the screwdriver handle away from the oven wall.



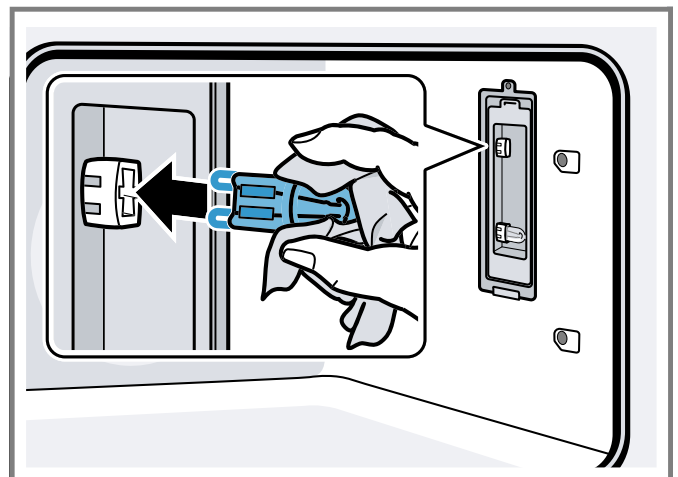
7. Support the glass lens cover with both hands to prevent the cover from falling to the bottom of the oven. The lens should detach easily. Do not attempt to force it.



8. Remove the bulb by grasping and sliding the bulb straight back until the two prongs have cleared the ceramic holder.



9. **DO NOT** touch the glass of the new replacement bulb with your fingers. It may cause the bulb to fail when it first lights. Grasp the replacement bulb with a clean dry cloth. Locate the two prongs in the ceramic holder, gently poking until the two prongs locate in the ceramic socket.



10. Press down to seat the bulb.
11. Put the glass lense cover back on by inserting it into the mounting clip and pressing the end nearest you into the housing until it locks into place. Insert the screw through the glass lense cover and tighten.
12. Reinstall the oven rails.
13. Turn on the circuit breaker.

15 Troubleshooting


You can eliminate minor issues on your appliance yourself. Please read the information on eliminating issues before contacting Customer Service. This may avoid unnecessary repair visits.

⚠ WARNING

Improper repairs are dangerous.

- ▶ Only authorized service providers should repair the appliance.

- ▶ If the power cord of this appliance becomes damaged, it must be replaced by the manufacturer, the manufacturer's Customer Service, or an authorized service provider in order to prevent injury.
- ▶ Only original spare parts may be used to repair the appliance.
- ▶ If the appliance has an issue, call Customer Service.

Issue	Cause and troubleshooting
Oven door is locked and will not open, even after cooling. The door lock symbol  lights up.	The door lock is engaged <ol style="list-style-type: none"> 1. Turn the oven off at the circuit breaker and wait five minutes. 2. Turn breaker back on. ✓ The oven should reset itself and will be operable.
Oven is not heating	There is no power supply to the appliance <ol style="list-style-type: none"> 1. Check circuit breaker or fuse box to your house. 2. Make sure there is proper electrical power to the oven. <hr/> There is no cooking temperature set <ul style="list-style-type: none"> ▶ Set a heating mode temperature.
Baking results are not as expected	The rack position is not ideal <ul style="list-style-type: none"> ▶ Refer to the tips and suggestions for using the appliance.
Food takes longer to cook than expected	The oven temperature needs to be recalibrated <p>Note: The oven is carefully calibrated to provide accurate results.</p> <ul style="list-style-type: none"> ▶ If food is consistently too brown or too light the temperature can be offset. → "Oven temperature offset", Page 26
Food is overcooked	The oven temperature needs to be recalibrated <p>Note: The oven is carefully calibrated to provide accurate results.</p> <ul style="list-style-type: none"> ▶ If food is consistently too brown or too light the temperature can be offset. → "Oven temperature offset", Page 26
Oven light is not working properly	The oven light bulb is loose or burnt out <ul style="list-style-type: none"> ▶ Replace or reinsert the light bulb. <p>Tip: Touching the bulb with fingers may cause the bulb to burn out.</p>
Oven light does not turn off	The oven door does not close properly <ol style="list-style-type: none"> 1. Check the oven door for obstructions. 2. Check to see if the hinge is bent. <hr/> The oven light is turned on <ul style="list-style-type: none"> ▶ Press the oven light button to turn the oven light off.
Cannot remove lens cover on cavity light	There is soil build-up around the lens cover <ol style="list-style-type: none"> 1. Let the oven cavity cool off. 2. Wipe the lens cover area with a clean, dry towel, then try to remove the lens cover.
Oven is not self-cleaning properly	The oven is too hot to start self clean <ol style="list-style-type: none"> 1. Allow the oven to cool before running self clean. 2. Always wipe out loose soils or heavy spillovers before running self clean. 3. If the oven is heavily soiled, set the maximum self clean time.
Clock and timer are not working properly	There is no power supply to the appliance <ol style="list-style-type: none"> 1. Check circuit breaker or fuse box to your house. 2. Make sure there is proper electrical power to the oven.

Issue	Cause and troubleshooting
"E" and a number appears in display and control beeps	An electronics fault has occurred 1. Press TIMERS to stop the beeping. 2. Reset the oven if necessary. 3. Call an authorized service provider.
With a new oven there is a strong odor when oven is turned on	This is normal with a new oven and will disappear after a few uses ▶ Operate the self clean mode to burn-off the smell more quickly.
Control does not react when a key is touched	The control is wet or soiled ▶ Clean the control panel and wipe it dry. The touch keys are not pressed correctly 1. Press the center of the button. 2. Use the flat part of your finger.
Warm air or steam escapes from oven vent	It is normal to see or feel steam or warm air escaping from the oven vent ⚠ CAUTION The oven vents are important for air circulation. Covering the oven vents will cause the oven to overheat. Refer to the appliance overview for the location of the oven vents. → "Oven cavity components", Page 11 ▶ Do not obstruct oven vents.
Cooling fan runs even when the oven is turned off	The cooling fan will continue to run, even after the oven has been turned off, until the oven has cooled sufficiently ▶ This is normal. There is no action required.

16 Disposal

16.1 Disposal of your old appliance

Environmentally compatible disposal allows valuable raw materials to be recycled.

- ▶ Dispose of the appliance in an environmentally responsible manner.

Information about current disposal methods can be obtained from your specialist dealer or local authority.

17 Customer Service

With any warranty repair, we will make sure your appliance is repaired by an authorized service provider using genuine replacement parts. We use only genuine replacement parts for all repairs.

Detailed information on the warranty period and terms of warranty can be found in the Statement of Limited Product Warranty, from your retailer, or on our website.

If you contact Customer Service, you will need the model number (E-Nr.) and the production number (FD) of your appliance.

USA:

1-800-735-4328

www.thermador.com/support

www.thermador.com/us/accessories

CA:

1-800-735-4328

www.thermador.ca

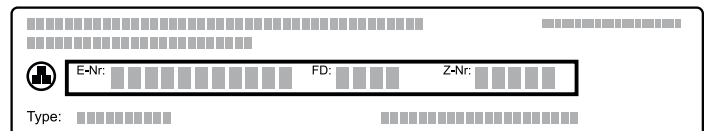
www.thermador.ca/en/support/filters-cleaners-accessories

For assistance with connecting to Home Connect®, you can also view instructions here:

www.home-connect.com/us/en/help-support/set-up

17.1 Model number (E-Nr.) and production number (FD)

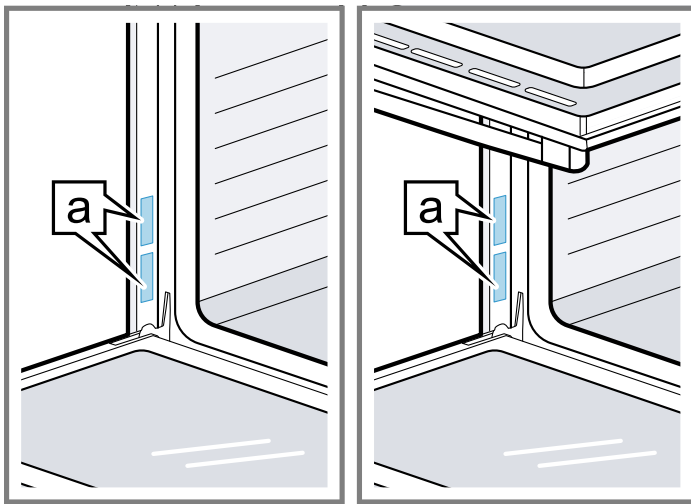
You can find the model number (E-Nr.) and the production number (FD) on the appliance's rating plate.



Making a note of your appliance's details and the Customer Service telephone number will enable you to find them again quickly.

17.2 Rating plate location

The rating plate is located at the left hand side of the door trim.



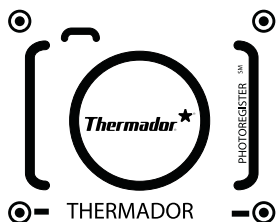
a Rating plate

17.3 Product registration

Register your Thermador product to access information related to your product.

You may register your product through one of the following ways:

- Register with your phone (USA only):



- Take a photo of the camera icon on the registration card, including the points (⊙).
- Text the photo to 21432.
(USA only, text and data rates may apply.)
- Mail in the completed product registration card to the address printed on the card.
- Register your product online at
 - US: www.thermador.com
 - Canada: www.thermador.ca
- Call Thermador Customer Service at 1-800-735-4328.

18 STATEMENT OF LIMITED PRODUCT WARRANTY

18.1 What this warranty covers & Who it applies to

The limited warranty provided by BSH Home Appliances (“Thermador”) in this Statement of Limited Product Warranty applies only to the Thermador appliance sold to you (“Product”), provided that the Product was purchased:

- For your normal, household (non-commercial) use, and has in fact at all times only been used for normal household purposes.
- New at retail from a BSH authorized dealer or directly from BSH (not a display, “as is”, or previously returned model), and not for resale, or commercial use.
- Within the United States or Canada, and has at all times remained within the country of original purchase.

The warranties stated herein apply to the original purchaser of the product warranted herein and to each succeeding owner of the product purchased for ordinary home use during the term of the warranty.

Please make sure to register your Product; while not necessary to effectuate warranty coverage, it is the best way for Thermador to notify you in the unlikely event of a safety notice or product recall.

18.2 How long the warranty lasts

Thermador warrants that the Product is free from defects in materials and workmanship for a period of seven hundred and thirty (730) days from the date of the original delivery. The foregoing timeline begins to run upon the date of original delivery, and shall not be stalled, tolled, extended, or suspended, for any reason whatsoever. This Product is also warranted to be free from **cosmetic** defects in material and workmanship (such as scratches of stainless steel, paint/porcelain blemishes, chips, dents, or other damage to the finish) of the Product, for a period of sixty (60) days from the date of delivery or closing date for new construction. This **cosmetic** warranty excludes slight color variations due to inherent differences in painted and porcelain parts, as well as differences caused by kitchen lighting, product location, or other similar factors. This **cosmetic** warranty specifically excludes any display, floor, “As Is”, or “B” stock appliances.

18.3 Repair/replace as your exclusive remedy

During this warranty period, Thermador or one of its authorized service providers will repair your Product without charge to you (subject to certain limitations stated herein) if your Product proves to have been manufactured with a defect in materials or workmanship. If reasonable attempts to repair the Product have been made without success, then Thermador will replace your Product (upgraded models may be available to you, in Thermador’s sole discretion, for an additional charge).

Nothing in this warranty requires damaged or defective parts to be replaced with parts of a different type or design than the original part. All removed parts and components shall become the property of Thermador at its sole option. All replaced and/or repaired parts shall assume the identity of the original part for purposes of this warranty and this warranty shall not be extended with respect to such parts. Thermador's sole liability and responsibility hereunder is to repair manufacturer-defective Product only, using a Thermador authorized service provider during normal business hours. For safety and property damage concerns, Thermador highly recommends that you do not attempt to repair the Product yourself, or use a non-authorized service provider; Thermador will have no responsibility or liability for damage resulting from repairs or work performed by a non-authorized service provider. Authorized service providers are those persons or companies that have been specially trained on Thermador products, and who possess, in Thermador's opinion, a superior reputation for customer service and technical ability (note that they are independent entities and are not agents, partners, affiliates or representatives of Thermador). Nevertheless, taking your product to be serviced by a repair shop that is not affiliated with or an authorized dealer of Thermador will not void this warranty. Also, using third-party parts will not void this warranty. Notwithstanding the foregoing, Thermador will not incur any liability, or have responsibility, for the Product if it is located in a remote area (more than 100 miles from an authorized service provider) or is reasonably inaccessible, hazardous, threatening, or treacherous locale, surroundings, or environment; in any such event, if you request, Thermador would still pay for labor and parts and ship the parts to the nearest authorized service provider, but you would still be fully liable and responsible for any travel time or other special charges by the service company, assuming they agree to make the service call. Further, to the extent you have installed the Product in a difficult-to-access location or have otherwise installed temporary or permanent fixtures that create barriers to accessing or removing the Product, Thermador will not incur any liability for, or have responsibility, for work or

costs associated with moving the Product or otherwise creating access to the Product in order to repair or replace it. All such costs shall be your sole responsibility.

18.4 Out of warranty product

Thermador is under no obligation, at law or otherwise, to provide you with any concessions, including repairs, prorates, or Product replacement, once this warranty has expired.

18.5 Warranty exclusions

The warranty coverage described herein excludes all defects or damage that are not the direct fault of Thermador, including without limitation, one or more of the following:

- Use of the Product in anything other than its normal, customary and intended manner (including without limitation, any form of commercial use, use or storage of an indoor product outdoors, use of the Product in conjunction with air or water-going vessels).
- Any party's willful misconduct, negligence, misuse, abuse, accidents, neglect, improper operation, failure to maintain, improper or negligent installation, tampering, failure to follow operating instructions, mishandling, unauthorized service (including selfperformed "fixing" or exploration of the appliance's internal workings).
- Adjustment, alteration or modification of any kind.
- A failure to comply with any applicable state, local, city, or county electrical, plumbing and/or building codes, regulations, or laws, including failure to install the product in strict conformity with local fire and building codes and regulations.
- Ordinary wear and tear, spills of food, liquid, grease accumulations, or other substances that accumulate on, in, or around the Product.
- Any external, elemental and/or environmental forces and factors, including without limitation, rain, wind, sand, floods, fires, mud slides, freezing temperatures, excessive moisture or extended exposure to humidity, lightning, power surges, structural failures surrounding the appliance, and acts of God.
- Service calls to correct the installation of your Product, to instruct you how to use your Product, to replace house fuses or correct house wiring or plumbing.
- Removal and replacement of trim or decorative panels that interfere with servicing the Product.
- Damage or defects caused by labor or parts installed by any non-authorized service provider, unless approved by Thermador before service is performed.

In no event shall Thermador have any liability or responsibility whatsoever for damage to surrounding property, including cabinetry, floors, ceilings, and other structures or objects around the Product. Also excluded from this warranty are Products, on which the serial numbers have been altered, defaced, or removed; service visits to teach you how to use the Product, or visits where there is nothing wrong with the Product; correction of installation problems (you are solely responsible for any

structure and setting for the Product, including all electrical, plumbing or other connecting facilities, for proper foundation/flooring, and for any alterations including without limitation cabinetry, walls, floors, shelving, etc.); and resetting of breakers or fuses TO THE EXTENT ALLOWED BY LAW, THIS WARRANTY SETS OUT YOUR EXCLUSIVE REMEDIES WITH RESPECT TO PRODUCT, WHETHER THE CLAIM ARISES IN CONTRACT OR TORT (INCLUDING STRICT LIABILITY, OR NEGLIGENCE) OR OTHERWISE. THIS WARRANTY IS IN LIEU OF ALL OTHER WARRANTIES, WHETHER EXPRESS OR IMPLIED. ANY WARRANTY IMPLIED BY LAW, WHETHER FOR MERCHANTABILITY OR FITNESS FOR A PARTICULAR PURPOSE, OR OTHERWISE, SHALL BE EFFECTIVE ONLY FOR THE PERIOD THAT THIS EXPRESS LIMITED WARRANTY IS EFFECTIVE. IN NO EVENT WILL THE MANUFACTURER BE LIABLE FOR CONSEQUENTIAL, SPECIAL, INCIDENTAL, INDIRECT, "BUSINESS LOSS", AND/OR PUNITIVE DAMAGES, LOSSES, OR EXPENSES, INCLUDING WITHOUT LIMITATION TIME AWAY FROM WORK, HOTELS AND/OR RESTAURANT MEALS, REMODELLING EXPENSES IN EXCESS OF DIRECT DAMAGES WHICH ARE DEFINITELY CAUSED EXCLUSIVELY BY THERMADOR, OR OTHERWISE. SOME STATES DO NOT ALLOW THE EXCLUSION OR LIMITATION OF INCIDENTAL OR CONSEQUENTIAL DAMAGES, AND SOME STATES DO NOT ALLOW LIMITATIONS ON HOW LONG AN IMPLIED WARRANTY LASTS, SO THE ABOVE EXCLUSIONS OR LIMITATIONS MAY NOT APPLY TO YOU. THIS WARRANTY GIVES YOU SPECIFIC LEGAL RIGHTS, AND YOU MAY ALSO HAVE OTHER RIGHTS WHICH VARY FROM STATE TO STATE.

No attempt to alter, modify or amend this warranty shall be effective unless authorized in writing by an officer of BSH.

18.6 Obtaining warranty service

To obtain warranty service for your product, you should contact Thermador Customer Support at 1-800-735-4328 to schedule a repair.

18.7 Product information

For handy reference, copy the information below from the rating plate. Keep your invoice and/or delivery documents for warranty validation.

Model number (E-Nr.)
Production number (FD)
Date of delivery

Table des matières

1 IMPORTANTES CONSIGNES DE SÉCURITÉ	46	9 Fonctions de minuterie.....	68
1.1 Définitions des termes de sécurité	46	9.1 Réglage de la minuterie du four.....	68
1.2 Informations générales.....	46	9.2 Réglage de la minuterie de cuisine.....	69
1.3 Utilisation sécuritaire	46	9.3 Réglage du fonctionnement différé avec Heure de fin	69
1.4 Sécurité des enfants	48	9.4 Mode sabbat	70
1.5 Fonction de nettoyage.....	49	9.5 Mode Yom Tov	70
1.6 Installation et entretien appropriés	50	10 Réglages de base.....	71
1.7 Fonctionnement à distance	51	10.1 Présentation des paramètres de base.....	71
1.8 Mises en garde conformément à la proposition 65 de l'État de Californie	51	10.2 Modification des réglages de base	71
2 Prévenir les bris matériels	52	10.3 Décalage de la température du four	71
2.1 Généralités	52	10.4 Conversion de convection automatique.....	72
3 Protection de l'environnement et économies	52	11 Fonctionnement du tiroir réchaud	72
3.1 Mise au rebut de l'emballage	52	11.1 Allumer le tiroir réchaud.....	72
3.2 Économie d'énergie	52	11.2 Éteindre le tiroir réchaud	72
4 Description de l'appareil	53	11.3 Tirer le meilleur parti de votre tiroir chauffant.....	73
4.1 Électroménager.....	53	11.4 Recommandations concernant le tiroir-réchaud	73
4.2 Cavités du four.....	53	11.5 Retrait de l'insert du tiroir-réchaud.....	73
4.3 Panneau de commande	55	12 Home Connect®	74
4.4 Caractéristiques de base	55	12.1 Configurer Home Connect®	74
4.5 Menu principal.....	56	12.2 Home Connect® Réglages.....	74
4.6 Modes et fonctions de chauffage.....	56	12.3 Modification des paramètres via l'application Home Connect®.....	74
5 Mise à jour logicielle.....	58	12.4 Démarrage à distance	74
6 Accessoires.....	59	12.5 Réglage du contrôle à distance	75
6.1 Autres accessoires.....	59	12.6 Diagnostic à distance	75
6.2 Utilisation sûre des grilles de four.....	60	12.7 Mise à jour logicielle	75
6.3 Insertion de la grille métallique.....	60	12.8 Protection des données.....	75
6.4 Insertion de la grille télescopique	60	13 Tirer le meilleur parti de l'électroménager	76
7 Avant d'utiliser pour la première fois.....	61	13.1 Positions des grilles.....	76
7.1 Réglage initial des paramètres de base	61	13.2 Obtenir les meilleurs résultats	76
7.2 Jumeler votre four avec Home Connect®.....	62	13.3 Conseils généraux pour les modes de chauffage..	77
7.3 Nettoyage de l'appareil avant sa première utilisation.....	62	14 Nettoyage et entretien	79
8 Opération de base.....	62	14.1 Produits de nettoyage	79
8.1 Allumer l'appareil.....	62	14.2 Nettoyage du four conventionnel.....	80
8.2 Éteindre l'appareil	62	14.3 Nettoyer le tiroir réchaud	83
8.3 Utilisation de l'écran tactile.....	62	14.4 Entretien.....	83
8.4 Réglage du mode de chauffage et de la température	63	15 Dépannage.....	85
8.5 Modification du mode de chauffage ou de la température	64	16 Élimination.....	86
8.6 Annulation d'un mode de chauffage	64	16.1 Éliminer un appareil usagé	86
8.7 Limitation du temps de chauffage.....	64	17 Service à la clientèle	86
8.8 Préchauffage.....	64	17.1 Numéro de modèle (E-Nr.) et numéro de fabrication (FD)	87
8.9 Préchauffage rapide.....	64	17.2 Emplacement de la plaque signalétique	87
8.10 Activer ou désactiver le verrouillage du panneau ..	65	17.3 Enregistrement de produit	87
8.11 Sonde thermométrique.....	65		
8.12 Rôtissoire.....	66		

18 ÉNONCÉ DE LA GARANTIE LIMITÉE DU PRODUIT.....	87
18.1 Couverture de la garantie limitée.....	87
18.2 Durée de la garantie.....	87
18.3 Réparation ou remplacement : votre recours exclusif.....	88
18.4 Produit hors garantie.....	88
18.5 Exclusions de garantie	88
18.6 Obtention du service de garantie.....	89
18.7 Information sur le produit	89



IMPORTANTES CONSIGNES DE SÉCURITÉ

LIRE ET CONSERVER CES INSTRUCTIONS

Lisez toutes les instructions attentivement avant l'utilisation. Ces précautions réduiront le risque d'électrocution, d'incendie et de blessure pour les personnes utilisant l'appareil. Lorsque vous utilisez des appareils électroménagers, il importe de suivre les précautions de sécurité de base, y compris celles indiquées dans les pages suivantes.

1.1 Définitions des termes de sécurité

Vous trouverez ici des explications sur les mots de signalisation de sécurité utilisés dans ce manuel.

AVERTISSEMENT

Signale un risque de mort ou de blessure grave si l'avertissement n'est pas respecté.

MISE EN GARDE

Signale un risque de blessures mineures ou modérées si l'avertissement n'est pas respecté.

AVIS :

Ceci indique que la non-conformité à cet avis de sécurité peut entraîner des dégâts matériels ou endommager l'appareil.

Remarque : Ceci vous signale des informations et/ou indications importantes.

1.2 Informations générales

Vous trouverez ici des informations générales sur ce manuel.

- Veuillez lire attentivement ce manuel.
- Respectez les consignes de sécurité et les avertissements.
- Conservez le manuel et les informations sur le produit dans un endroit sûr pour référence future ou pour le prochain propriétaire.
- Vérifiez que l'appareil n'est pas endommagé après l'avoir déballé. Ne branchez pas l'appareil s'il a été endommagé pendant le transport.

Tous les manuels des produits peuvent être téléchargés en ligne à l'adresse www.thermador.ca/fr/soutien/manuels-du-propietaire.

1.3 Utilisation sécuritaire

AVERTISSEMENT

Lorsqu'il est correctement entretenu, votre nouvel appareil a été conçu pour être sûr et fiable.

- ▶ Lisez toutes les instructions attentivement avant l'utilisation. Ces consignes réduiront le risque de brûlure, d'électrocution, d'incendie et de blessure pour les personnes utilisant l'appareil.
- ▶ Lorsque vous utilisez des appareils électroménagers, il importe de suivre les précautions de sécurité de base, y compris celles indiquées dans les pages suivantes.

AVERTISSEMENT

Si une matière à l'intérieur du four ou un tiroir-réchaud venait à prendre feu, conservez la porte fermée.

- ▶ Éteindre l'appareil et déconnecter le circuit depuis le boîtier de disjoncteurs.
- Un incendie pourrait se produire pendant la cuisson.
- ▶ Toujours avoir un détecteur de fumée en état de marche près de la cuisine.
 - ▶ Prière d'avoir à portée de main un extincteur d'incendie en bon état de marche, placé visiblement près de l'appareil électroménager et facile d'accès.
- NE couvrez JAMAIS les fentes, les orifices ou les canaux de la sole du four, ni ne couvrez toute une grille avec une matière comme du papier d'aluminium.
- ▶ Cela bloque la circulation de l'air à travers le four.
 - ▶ Utiliser une feuille de papier aluminium pourrait également emprisonner la chaleur, entraînant un risque d'incendie.

Les incendies de cuisson peuvent se propager s'ils ne s'éteignent pas correctement.

- ▶ Ne jamais utiliser d'eau sur les feux de cuisson. Portez des vêtements appropriés. Les vêtements amples ou suspendus, tels que les cravates, les foulards, les bijoux ou les manches pendantes, ne doivent jamais être portés lors de l'utilisation de l'appareil.
- ▶ Attachez les cheveux longs pour qu'ils ne pendent pas.
- ▶ Fixez tous les vêtements amples, etc. avant de commencer.

Si des vêtements ou des cheveux s'enflamment, rouler par terre immédiatement pour éteindre les flammes. N'utilisez pas d'eau sur les feux de graisse.

- ▶ Étouffer le feu ou la flamme ou utiliser un extincteur à sec chimique ou à mousse.



IMPORTANTES CONSIGNES DE SÉCURITÉ

LIRE ET CONSERVER CES INSTRUCTIONS

MISE EN GARDE

Les événements du four sont importants pour la circulation de l'air. Couvrir les événements du four entraînera une surchauffe du four. Reportez-vous à l'aperçu de l'appareil pour connaître l'emplacement des événements du four.

→ "Composants de la cavité du four", Page 54

- ▶ N'obstruez pas les événements du four.

AVERTISSEMENT

Utiliser seulement des maniques sèches - Des maniques mouillées ou humides sur des surfaces chaudes peuvent entraîner en brûlures de vapeur.

- ▶ Ne laissez pas les maniques toucher les éléments chauffants chauds.
 - ▶ N'utilisez pas de serviette ou autre chiffon volumineux.
- NE PAS TOUCHER LES ÉLÉMENTS CHAUFFANTS OU LES SURFACES INTÉRIEURES DU FOUR** - Les éléments chauffants peuvent être chauds même s'ils sont de couleur sombre. Les parois intérieures d'un four peuvent devenir suffisamment chaudes pour provoquer des brûlures.

- ▶ Pendant et après l'utilisation, ne touchez pas et ne laissez pas les vêtements, les maniques ou autres matériaux inflammables entrer en contact avec les éléments chauffants ou les surfaces intérieures du four avant d'avoir suffisamment de temps pour refroidir. Les autres surfaces de l'appareil peuvent devenir suffisamment chaudes pour provoquer des brûlures.

Parmi ces surfaces se trouvent les ouvertures de ventilation du four, les surfaces proches de ces ouvertures et les portes du four.

Soyez prudent lors de l'ouverture de la porte - Laissez l'air chaud ou la vapeur s'échapper avant de retirer ou remplacer les aliments.

- ▶ En se plaçant sur le côté, ouvrir la porte lentement et légèrement pour laisser l'air chaud et/ou la vapeur s'échapper du four.
- ▶ Éloigner le visage de l'ouverture et s'assurer qu'aucun enfant ou animal ne se trouve près de l'appareil.
- ▶ Une fois l'air chaud et/ou la vapeur sortis, continuer la cuisson.
- ▶ Ne pas laisser les portes ouvertes à moins que l'on soit en train de cuisiner ou de nettoyer.

- ▶ Ne pas laisser les portes ouvertes sans surveillance.
- Ne pas nettoyer l'appareil pendant qu'il est encore chaud. Certains nettoyants produisent des émanations toxiques lorsqu'ils sont appliqués sur une surface chaude. Les vêtements et les éponges mouillés peuvent provoquer des brûlures causées par la vapeur.

MISE EN GARDE

Soyez prudent lorsque vous cuisinez des aliments à forte teneur en alcool (par exemple rhum, brandy, bourbon) dans le four. L'alcool s'évapore à des températures élevées. Il y a un risque de brûlure car les vapeurs d'alcool peuvent prendre feu dans le four.

- ▶ N'utilisez que de petites quantités d'alcool dans les aliments et ouvrez soigneusement la porte du four.
- Placement des grilles du four - Placez toujours les grilles du four dans l'emplacement pendant que le four est froid. Si la grille doit être déplacée alors que le four est chaud, ne laissez pas les maniques entrer en contact avec les éléments chauffants chauds du four. Soyez prudent lorsque vous retirez les grilles du four de la position la plus basse pour éviter tout contact avec la porte chaude du four.

AVERTISSEMENT

Ne touchez pas les surfaces intérieures du tiroir pendant son utilisation. L'intérieur du tiroir pourrait devenir suffisamment chaud pour causer des brûlures.

- ▶ Laisser le tiroir et la grille (s'il y en a une) refroidir avant de les manipuler.

L'intérieur du four et la sonde thermométrique peuvent devenir très chauds.

- ▶ Utiliser des gants de four pour enficher et débrancher la sonde thermométrique.

AVERTISSEMENT

Stockage dans ou sur l'appareil - L'utilisation de produits chimiques corrosifs dans le chauffage ou le nettoyage endommagera l'appareil et pourrait entraîner des blessures.

- ▶ Les matériaux inflammables, les produits chimiques corrosifs, les vapeurs ou les produits non alimentaires ne doivent pas être stockés ou utilisés dans un four ou sur ou près des unités de surface.
- ▶ L'appareil est spécialement conçu pour être utilisé lors du chauffage ou de la cuisson des aliments.

Cet appareil électroménager est conçu uniquement pour un usage domestique habituel. Il n'est pas approuvé pour une utilisation en extérieur. Consultez l'énoncé de garantie limitée de produit. Pour toute question, veiller à communiquer avec le fabricant.

AVERTISSEMENT

L'utilisation de cet appareil autrement que pour son utilisation prévue peut provoquer un incendie ou des blessures corporelles.

- ▶ N'utilisez cet appareil que pour l'usage auquel il est destiné, comme décrit dans ce manuel.



IMPORTANTES CONSIGNES DE SÉCURITÉ

LIRE ET CONSERVER CES INSTRUCTIONS

- ▶ N'utilisez JAMAIS vos appareils comme appareil de chauffage pour réchauffer ou chauffer la pièce. Cela pourrait entraîner une surchauffe de l'appareil.
 - ▶ N'utilisez jamais l'appareil pour le stockage.
- AVERTISSEMENT - POUR RÉDUIRE LE RISQUE DE BLESSURE AUX PERSONNES EN CAS D'INCENDIE DE GRAISSE, RESPECTEZ CE QUI SUIT.**
- ▶ **FLAMMES PLUS DOUCES** avec un ajustement serré du couvercle, plaque à biscuits ou plateau métallique, puis éteignez le brûleur. **FAIRE ATTENTION AUX BRÛLURES.** Si les flammes ne s'éteignent pas immédiatement, **ÉVACUEZ ET APPELEZ LE SERVICE D'INCENDIE.**
 - ▶ **NE JAMAIS PRENDRE UNE POÊLE A FLAMBER** - vous pourriez vous pourriez être brûlé.
 - ▶ **NE PAS UTILISER D'EAU**, y compris des torchons ou des serviettes mouillés, cela provoquerait une violente explosion de vapeur.
 - ▶ Utilisez un extincteur **UNIQUEMENT** si :
 - Vous savez que vous avez un extincteur de classe ABC, et vous savez déjà comment le faire fonctionner.
 - L'incendie est petit et contenu dans la zone où il a commencé.
 - Si vous avez appelé les pompiers.
 - Vous pouvez combattre l'incendie en gardant le dos tourné vers la sortie.

Ne chauffez pas et ne réchauffez pas des récipients non ouverts. L'accumulation de pression peut faire exploser le contenant et provoquer des blessures.

Les sacs de cuisson ou de rôtissage peuvent exploser.

- ▶ Observez les instructions du fabricant lors de l'utilisation de sacs de cuisson ou de rôtissage.

MISE EN GARDE

Pour éviter d'éventuelles blessures ou dommages à l'appareil, assurez-vous que la grille du four est installée exactement selon les instructions d'installation et non vers l'arrière ou à l'envers.

Ne placez rien sur le fond de la cavité du four. Ne couvrez pas la sole avec une feuille de papier aluminium. Une accumulation de chaleur pourrait endommager l'appareil ou causer des blessures.

AVERTISSEMENT

L'humidité qui pénètre peut occasionner une électrocution.

- ▶ N'utilisez pas de nettoyeur haute pression ou de nettoyeur à vapeur pour nettoyer l'appareil.

Si l'appareil ou le cordon d'alimentation est endommagé, cela est dangereux.

- ▶ Ne mettez pas l'appareil sous tension si l'appareil ou le cordon d'alimentation est endommagé. Cela pourrait causer des blessures.
- ▶ Ne faites jamais fonctionner un appareil endommagé.
- ▶ Si l'appareil ou le cordon d'alimentation est endommagé, coupez immédiatement le disjoncteur dans le boîtier du disjoncteur.
- ▶ Communiquez avec le service à la clientèle.
→ *Page 86*
- ▶ Les réparations de l'appareil ne doivent être effectuées que par du personnel qualifié formé à cet effet.

AVERTISSEMENT

Si la porte de l'appareil est rayée, le verre peut se fissurer.

- ▶ N'utilisez pas de nettoyeurs agressifs ou abrasifs ou de grattoirs métalliques tranchants pour nettoyer la vitre de la porte du four, car ils pourraient rayer la surface.

L'utilisation de la mauvaise sonde thermométrique peut endommager l'isolant. Utiliser uniquement la sonde thermométrique conçue pour cet appareil électroménager.

1.4 Sécurité des enfants

Cet appareil n'est pas destiné à être utilisé par des personnes (y compris des enfants) présentant des capacités physiques, sensorielles ou mentales réduites, à moins qu'elles n'aient été informées de la manière d'utiliser l'appareil par une personne responsable de leur sécurité.

Lorsque les enfants sont assez âgés pour utiliser l'appareil, il incombe aux parents ou tuteurs légaux de veiller à ce qu'ils soient formés aux pratiques sécuritaires par des personnes qualifiées.

AVERTISSEMENT

Ne pas permettre aux enfants d'utiliser cet appareil électroménager à moins d'être étroitement surveillés par un adulte.

- ▶ Les enfants et les animaux domestiques ne doivent pas être laissés seuls ou sans surveillance à un endroit où un appareil électroménager est utilisé. Ils ne doivent jamais jouer à proximité, que l'appareil soit utilisé ou non.



IMPORTANTES CONSIGNES DE SÉCURITÉ

LIRE ET CONSERVER CES INSTRUCTIONS

Ne pas laisser quiconque monter, se tenir debout, se pencher, s'asseoir ou se suspendre sur une partie quelconque de l'appareil électroménager, principalement une porte, un tiroir chauffant ou un tiroir de rangement.

- ▶ Cela peut endommager l'appareil et l'appareil peut basculer et provoquer des blessures graves.

MISE EN GARDE

Ne rangez pas d'objets présentant un intérêt pour les enfants dans un appareil, dans des armoires au-dessus d'un appareil ou sur le dossier d'un appareil. Les enfants qui essaient de monter sur un appareil électroménager pour atteindre ces articles pourraient être gravement blessés.

Ne laissez pas les enfants seuls.

- ▶ Les enfants ne doivent pas être laissés seuls ou sans surveillance à un endroit où un appareil électroménager est utilisé.
- ▶ Les enfants ne doivent jamais s'asseoir ou rester debout sur une partie quelconque de l'appareil.
- ▶ Vérifiez toujours l'intérieur du four avant de l'allumer.

AVERTISSEMENT

Pour éviter tout risque d'étouffement :

- ▶ Ne jamais laisser les enfants jouer avec le matériel d'emballage.
- ▶ Conservez les pièces de petite taille dans un endroit sûr, car elles peuvent être avalées facilement.

1.5 Fonction de nettoyage

Suivez ces consignes de sécurité lorsque vous utilisez la fonction de nettoyage.

AVERTISSEMENT

Ne pas bloquer les événements du four pendant le cycle d'autonettoyage. Cela pourrait causer des blessures ou endommager l'appareil.

AVERTISSEMENT

Lors de l'élimination des salissures lors de l'autonettoyage, de petites quantités de monoxyde de carbone peuvent être créées et l'isolant en fibre de verre peut dégager de très petites quantités de formaldéhyde au cours des premiers cycles de nettoyage.

- ▶ Pour minimiser l'exposition à ces substances, s'assurez d'avoir une bonne ventilation en laissant une fenêtre ouverte, ou utiliser un ventilateur ou une hotte d'aération.

Le four chauffe à très haute température pendant l'autonettoyage. L'ouverture de la porte peut entraîner des blessures.

- ▶ Lors de l'autonettoyage, vérifiez que la porte est verrouillée et ne s'ouvre pas.
- ▶ Si la porte ne se verrouille pas, ne pas lancer le Nettoyage Auto. Communiquez avec le service après-vente.

AVERTISSEMENT

L'extérieur de l'appareil devient très chaud lorsque la fonction de nettoyage est en cours.

- ▶ Ne touchez jamais la porte de l'appareil électroménager.
- ▶ Laissez refroidir l'appareil.
- ▶ Gardez les enfants à une distance sécuritaire.

AVERTISSEMENT

Ne laissez pas de nourriture ou d'ustensiles de cuisine, etc., dans le four pendant le mode de fonctionnement autonettoyant pyrolytique.

MISE EN GARDE

Retirez les poêles à griller, les casseroles et autres ustensiles et tout déversement excessif avant l'autonettoyage.

MISE EN GARDE

Les oiseaux ont un système respiratoire très sensible.

- ▶ Éloigner les oiseaux de compagnie de la cuisine ou des pièces où la fumée peut les atteindre.
- ▶ Pendant l'autonettoyage, des fumées sont libérées et peuvent être nocives pour les oiseaux.

AVERTISSEMENT

Ne nettoyez pas le joint de la porte : le joint de porte est essentiel pour une bonne étanchéité. Veillez à ne pas frotter, endommager ou déplacer le joint.

AVERTISSEMENT

N'utilisez pas de revêtement protecteur pour recouvrir le four et n'utilisez pas de nettoyant pour four du commerce. Nettoyez uniquement les pièces répertoriées dans ce manuel.

Veillez noter que certains animaux domestiques ou humains peuvent être sensibles aux odeurs créées pendant le processus d'auto-nettoyage, qu'il s'agisse de résidus de fabrication brûlés ou d'aliments. Il est recommandé que les personnes potentiellement affectées soient retirées de la cuisine pendant le processus d'auto-nettoyage.



IMPORTANTES CONSIGNES DE SÉCURITÉ

LIRE ET CONSERVER CES INSTRUCTIONS

1.6 Installation et entretien appropriés

Voir le manuel d'installation pour les exigences électriques, les instructions de mise à la terre et le dégagement aux exigences en matière de matériaux combustibles.

AVERTISSEMENT

En cas de dysfonctionnement, il peut s'avérer nécessaire de couper l'alimentation.

- ▶ Demandez à l'installateur de vous montrer le disjoncteur ou le fusible. Identifiez sa position pour pouvoir le retrouver facilement.

Pour éviter les risques d'électrocution, avant de réparer l'appareil, coupez l'alimentation au niveau du panneau de service et verrouillez le panneau pour éviter que l'alimentation ne soit accidentellement activée.

Installation correcte - Une installation ou une mise à la terre incorrecte peut provoquer un choc électrique.

- ▶ L'appareil doit être correctement installé et mis à la terre par un technicien qualifié.
- ▶ Raccordez l'appareil uniquement à une prise de courant correctement mise à la terre.
- ▶ Reportez-vous aux instructions d'installation pour plus de détails.

Entretien par l'utilisateur - Ne réparez ni ne remplacez aucune pièce de l'appareil à moins que ce ne soit spécifiquement recommandé dans ce manuel.

- ▶ Tous les autres services doivent être référés à un fournisseur de services agréé.

La prise d'éclairage est sous tension lorsque la porte est ouverte si l'alimentation principale n'est pas coupée.

- ▶ Coupez l'alimentation électrique principale sur le panneau de service avant de changer les ampoules.

AVERTISSEMENT

S'assurer que l'appareil et l'éclairage sont froids et veiller à couper l'alimentation électrique de l'appareil avant de remplacer la ou les ampoules. Le non-respect de cette précaution pourrait entraîner un choc électrique ou des brûlures.

- ▶ Les lentilles doivent être en place lors de l'utilisation de l'appareil.
- ▶ Les lentilles servent à protéger l'ampoule de la rupture.
- ▶ Les lentilles sont en verre. Manipulez les lentilles avec précaution pour éviter de les endommager. Les éclats de verre peuvent entraîner une blessure.

Le non-respect de ces instructions lors du retrait de la porte du four peut entraîner des blessures ou endommager le produit.

- ▶ Avant de démonter la porte, s'assurer que le four soit froid et que le courant qui l'alimente a été coupé. Le non-respect de cette précaution pourrait entraîner un choc électrique ou des brûlures.
- ▶ La porte du four est lourde et certaines parties sont fragiles. Utilisez les deux mains pour retirer la porte du four.
- ▶ Le devant de la porte est en verre. Manipulez-la avec précaution pour éviter des cassures.
- ▶ Saisir uniquement les côtés de la porte. Ne saisissez pas la poignée. Il peut osciller dans votre main et provoquer des dommages ou des blessures. Si la porte du four n'est pas saisie fermement et correctement, il y a un risque de blessure ou de dommage à l'appareil.
- ▶ Pour éviter toute blessure causée par l'enclenchement soudain du support de charnière, s'assurer que les deux leviers sont bien enclenchés avant d'enlever la porte.
- ▶ Ne forcez pas la porte pour l'ouvrir ou la fermer. La charnière pourrait être endommagée et provoquer des dommages ou des blessures.
- ▶ Ne pas déposer la porte sur des objets acérés ou pointus, car ils risquent de briser la vitre. Posez-la sur une surface plane et lisse, positionnée de manière à ce que la porte ne puisse pas tomber.

AVERTISSEMENT

La graisse et le gras peuvent s'enflammer lorsqu'elles sont chauffées.

- ▶ Gardez le four exempt de graisse.

MISE EN GARDE

En cas d'erreur, l'écran clignote et un signal sonore retentit en permanence.

- ▶ Débranchez l'appareil de l'alimentation électrique et appelez un prestataire de services agréé.

AVERTISSEMENT

Les dysfonctionnements peuvent provoquer des blessures.

- ▶ Ne pas utiliser cet appareil électroménager s'il ne fonctionne pas correctement ou s'il a été endommagé. Contactez un prestataire de services agréé.



IMPORTANTES CONSIGNES DE SÉCURITÉ

LIRE ET CONSERVER CES INSTRUCTIONS

1.7 Fonctionnement à distance

- utilisant l'appareil selon les instructions de ce manuel.

MISE EN GARDE

Cet appareil peut être configurable pour permettre un fonctionnement à distance à tout moment.

- ▶ Ne pas ranger de matières inflammables ou d'articles sensibles à la chaleur à l'intérieur, sur le dessus ou près de la surface de l'appareil.

1.8 Mises en garde conformément à la proposition 65 de l'État de Californie

Ce produit pourrait contenir un produit chimique reconnu par l'État de la Californie comme cancérigène ou ayant des effets nocifs sur la reproduction. Par conséquent, vous pourriez devoir apposer l'étiquette suivante sur l'emballage du produit comme requis par la Californie :

AVERTISSEMENT ISSUE DE LA PROPOSITION 65 DE L'ÉTAT DE LA CALIFORNIE :



AVERTISSEMENT

Cancer et dommages à la reproduction -
www.P65Warnings.ca.gov

AVIS DE SÉCURITÉ IMPORTANT : En application de la loi californienne concernant la salubrité de l'eau et la protection contre les substances chimiques (« California Safe Drinking Water and Toxic Enforcement Act »), le gouverneur de Californie est tenu de publier une liste des substances reconnues par l'État de Californie comme étant cancérigènes ou pouvant causer des malformations ou présenter un danger pour la reproduction, et les entreprises sont tenues d'avertir les consommateurs des risques potentiels d'exposition à de telles substances. La combustion de gaz combustible pour la cuisson et l'élimination de résidus pendant l'autonettoyage peuvent générer de faibles quantités de monoxyde de carbone. Dans les fours équipés du Nettoyage Auto, de faibles quantités de formaldéhyde peuvent se dégager lors de l'élimination des salissures pendant les quelques premiers cycles autonettoyants. La Californie classe le formaldéhyde parmi les produits potentiellement cancérigènes. Le monoxyde de carbone est une cause possible de toxicité pour la reproduction. Il est possible de réduire l'exposition à ces substances en :

- assurant une bonne ventilation lors de la cuisson au gaz; et
- assurant une bonne ventilation pendant et immédiatement après le cycle d'autonettoyage du four;

2 Prévenir les bris matériels

2.1 Généralités

AVIS :

La présence d'objets sur le fond de la cavité du four provoquera une accumulation de chaleur. Les temps de cuisson et de rôtissage ne seront alors plus exacts et cela risque d'endommager l'émail.

- ▶ Ne couvrez pas le fond de la cavité du four avec du papier d'aluminium ou du papier sulfurisé.
- ▶ Ne placez pas d'accessoires sur le fond de la cavité du four.

Ne laissez pas le papier d'aluminium dans la cavité du four entrer en contact avec la vitre de la porte, cela pourrait provoquer une décoloration permanente.

Ne versez jamais d'eau dans la cavité du four lorsqu'elle est encore chaude. Ne placez jamais d'ustensiles de cuisine contenant de l'eau sur le fond de la cavité du four. La présence prolongée d'humidité dans la cavité du four entraîne une corrosion.

- ▶ Laissez la cavité du four sécher après usage.
- ▶ Ne gardez pas les aliments humides dans la cavité du four pendant une longue période avec la porte fermée.
- ▶ Ne conservez pas d'aliments dans la cavité du four.

Laisser l'appareil refroidir avec la porte ouverte endommagera le devant des éléments de cuisine voisins au fil du temps.

- ▶ Laissez toujours la cavité du four refroidir avec la porte fermée après la cuisson à des températures élevées. Ne laissez la cavité du four sécher avec la porte ouverte que si beaucoup d'humidité a été produite pendant le fonctionnement.

Le jus de fruit qui s'égoutte d'un moule laisse des taches qui ne peuvent pas s'enlever.

- ▶ Lors de la cuisson de tartes aux fruits très juteuses, n'en mettez pas trop sur la plaque à pâtisserie.

Si le joint est très sale, la porte de l'appareil ne se fermera pas correctement lorsque l'appareil est en marche. Cela pourrait endommager l'avant des unités de cuisine adjacentes.

- ▶ Ne faites pas fonctionner l'appareil si le joint est endommagé ou manquant. Ne faites pas fonctionner l'appareil si le joint est endommagé ou manquant.

S'asseoir ou placer des objets sur la porte de l'appareil peut l'endommager.

- ▶ Ne placez pas et ne suspendez pas d'objets sur la porte de l'appareil.
- ▶ Ne placez pas d'ustensiles de cuisine ou d'accessoires sur la porte de l'appareil.

Avec certains modèles, les accessoires peuvent rayer la vitre de la porte lors de la fermeture de la porte de l'appareil.

- ▶ Poussez toujours complètement les accessoires dans la cavité du four.

Le transport de l'appareil par la poignée de porte pourrait le casser. La poignée de porte ne peut pas supporter le poids de l'appareil.

- ▶ Ne pas porter ou tenir l'appareil par la porte.

3 Protection de l'environnement et économies

3.1 Mise au rebut de l'emballage

Les matériaux d'emballage sont écologiques et recyclables.

- ▶ Veuillez éliminer les pièces détachées après les avoir triées par matières.

3.2 Économie d'énergie

Si vous suivez ces recommandations, votre appareil consommera moins d'énergie.

Préchauffez l'appareil uniquement si la recette ou les réglages recommandés vous le demandent.

- ✓ Ne pas préchauffer l'appareil peut réduire l'énergie consommée.

Utilisez des plaques de cuisson de couleur foncée, à revêtement noir ou émaillées.

- ✓ Ces types de moules absorbent particulièrement bien la chaleur.

Ouvrez la porte de l'appareil le moins possible pendant le fonctionnement.

- ✓ Cela maintiendra la température dans la cavité du four et éliminera le besoin de réchauffer l'appareil.

Lors de la cuisson de plusieurs plats, faites-le successivement ou en même temps.

- ✓ La cavité du four est chauffée après la cuisson du premier plat. Cela réduit le temps de cuisson du deuxième plat.

Si le temps de cuisson est relativement long, vous pouvez éteindre l'appareil 10 minutes avant la fin du temps de cuisson.

- ✓ Il y aura suffisamment de chaleur résiduelle pour terminer la cuisson du plat.

Retirez tous les accessoires non utilisés de la cavité du four.

- ✓ Une casserole supplémentaire sans nourriture affecte le brunissement et la cuisson.

Laissez décongeler les aliments congelés avant de les cuire.

- ✓ Cela permettra d'économiser l'énergie qui serait autrement nécessaire pour le dégivrer.

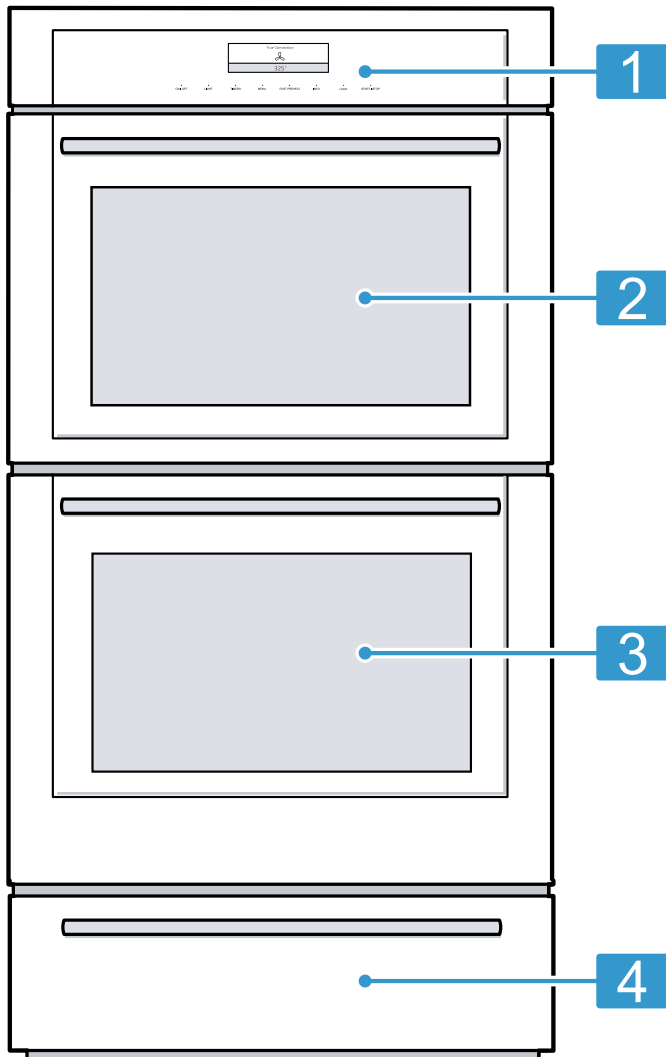
4 Description de l'appareil

Ce manuel couvre plusieurs modèles. Votre modèle peut avoir certaines des caractéristiques répertoriées, mais pas toutes.

4.1 Électroménager

Cette section contient une vue d'ensemble des composants de votre appareil.

Remarque : Ce manuel couvre plusieurs modèles. Votre modèle peut avoir certaines mais pas toutes les fonctionnalités ou affichages répertoriés.



- | | |
|---|---------------------|
| 1 | Panneau de commande |
| 2 | Four supérieur |
| 3 | Four inférieur |
| 4 | Tiroir-réchaud |

4.2 Cavités du four

Vous trouverez ici des informations sur les caractéristiques des cavités du four.

Le fond de la cavité du four cache l'élément chauffant inférieur.

⚠ AVERTISSEMENT

La chaleur emprisonnée et l'utilisation de doublures métalliques peuvent entraîner un risque d'électrocution ou d'incendie.

- ▶ Ne pas utiliser de papier aluminium ou de doublure de protection pour revêtir toute partie de l'appareil électroménager, et en particulier la sole du four.
- ▶ NE couvrez JAMAIS les fentes, les orifices ou les canaux de la sole du four, ni ne couvrez toute une grille avec une matière comme du papier d'aluminium. Cela bloque la circulation de l'air à travers le four. Utiliser une feuille de papier aluminium pourrait également emprisonner la chaleur, entraînant un risque d'incendie.

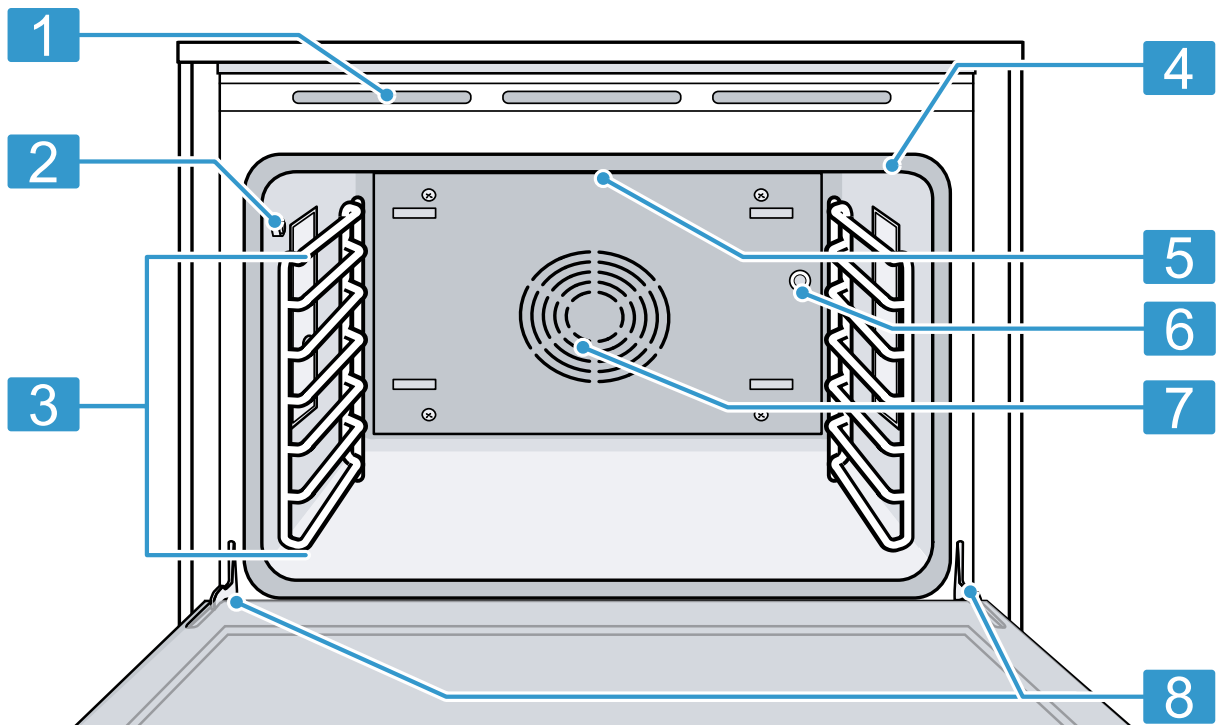
⚠ MISE EN GARDE

Une accumulation de chaleur peut endommager l'appareil ou causer des blessures.

- ▶ Ne placez rien sur la sole de la cavité du four.
- ▶ Placez toujours les ustensiles de cuisine sur une grille.
- ▶ Ne couvrez pas le fond de la cavité du four avec du papier d'aluminium.
- ▶ Ne placez pas la lèchefrite au fond de la cavité du four pour attraper les déversements. Cela endommagerait la surface du fond de la cavité du four.

Composants de la cavité du four

Vous trouverez ici les composants de la cavité de four conventionnelle.



1	Évent du four
2	Prise pour sonde thermique
3	Rails de four
4	Joint d'étanchéité de porte
5	Élément de gril
6	Prise pour broche de tournebroche
7	Ventilateur de convection
8	Charnières de porte

Éclairage de four

Votre appareil est équipé d'un éclairage de four. Lorsque vous ouvrez la porte l'appareil électroménager, l'éclairage de four s'allume. Si la porte reste ouverte plus de 20 minutes, l'éclairage du four s'éteint à nouveau. Pour rallumer, effleurez la touche tactile **LIGHT**.

Ventilateur de convection

La cuisson par convection utilise un ventilateur pour faire circuler la chaleur du four de manière uniforme et continue dans le four.

Cette distribution de chaleur améliorée permet une cuisson uniforme et d'excellents résultats en utilisant plusieurs grilles en même temps.

Ventilateur de refroidissement

Le ventilateur de refroidissement est en marche dans tous les modes de cuisson.

Lorsque le four est en marche, le ventilateur est audible et l'air chaud peut être ressenti par la ventilation du four. Il se peut également que le ventilateur continue de tourner après que le four a été éteint.

Évents de four

De l'air chaud peut s'échapper des évents du four avant, pendant et après la cuisson. Il est normal de voir de la vapeur s'échapper des évents, et de la condensation pourrait s'accumuler dans cette zone. Cette zone peut être chaude lorsque le four fonctionne.

⚠ MISE EN GARDE

Les évents du four sont importants pour la circulation de l'air. Couvrir les évents du four entraînera une surchauffe du four. Reportez-vous à l'aperçu de l'appareil pour connaître l'emplacement des évents du four.

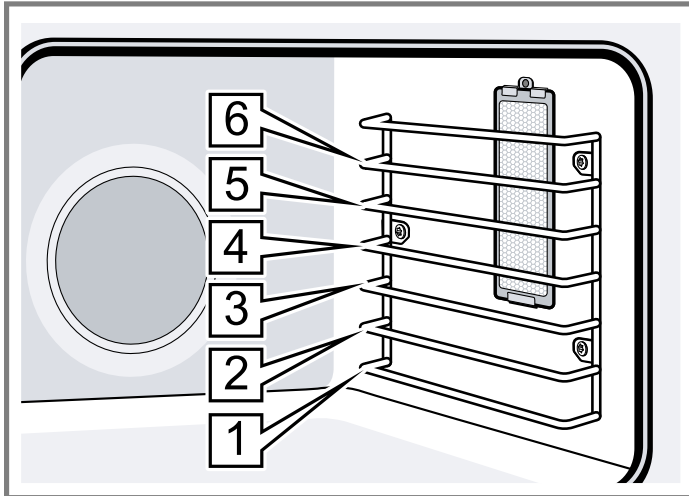
→ "Composants de la cavité du four", Page 54

► N'obstruez pas les évents du four.

Positions des grilles

Votre four a six positions de grille. Les positions de grille sont comptées de bas en haut.

Utiliser uniquement les positions de grille de 1 à 6. NE PAS tenter d'utiliser le dispositif de guidage supérieur pour soutenir une grille de four.



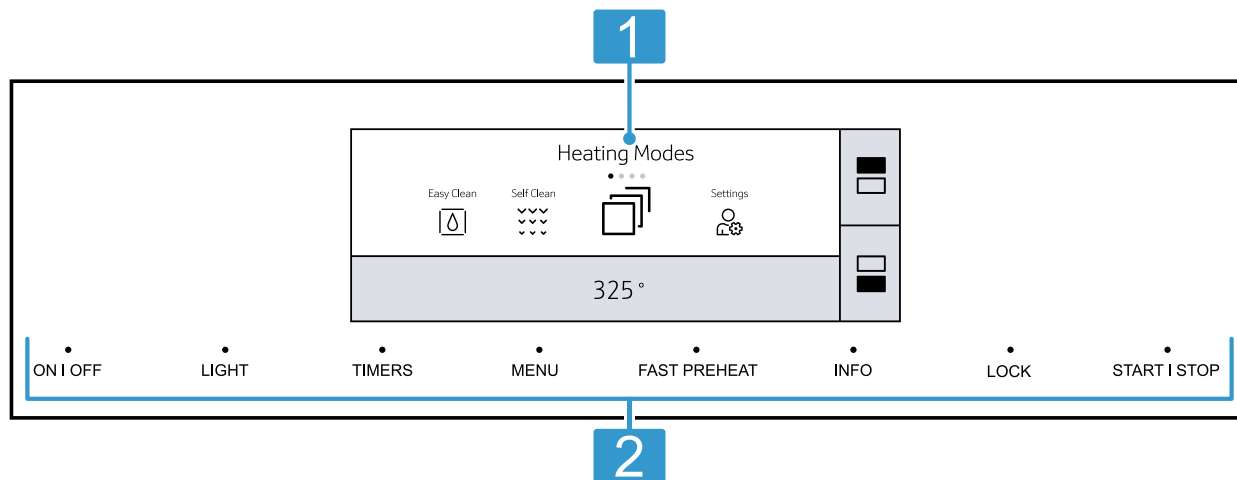
⚠ MISE EN GARDE

Soyez prudent lorsque vous retirez les grilles du four de la position la plus basse pour éviter tout contact avec la porte chaude du four.

4.3 Panneau de commande

Le bandeau de commande vous permet de configurer toutes les fonctions de votre appareil et d'obtenir des informations sur son état de fonctionnement.

Remarque : Les graphiques du panneau de commande sont représentatifs. Votre four peut avoir différentes apparences graphiques.



1	Écran tactile complet	L'écran tactile complet est une zone tactile. Utilisez-le pour naviguer dans les menus et sélectionner les paramètres. La fonctionnalité active s'illumine de bleu.
2	Touches tactiles	Les touches tactiles sont des zones sensibles au toucher. Appuyez sur les mots des touches tactiles pour sélectionner une fonction. Les fonctions disponibles sont indiquées par un voyant au-dessus du bouton tactile respectif. Selon l'opération que vous exécutez, le nombre de fonctions disponibles peut changer.

4.4 Caractéristiques de base

Vous trouverez ici des informations sur les fonctions de fonctionnement de base de votre four. Ce manuel couvre plusieurs modèles. Votre modèle peut avoir certaines mais pas toutes les touches tactiles répertoriées.

Touche tactile	Fonction
ON OFF	Interrupteur principal. Allume ou éteint le four.

Touche tactile	Fonction
LIGHT	Lorsque la porte du four est fermée, appuyez sur cette touche pour allumer et éteindre la lumière du four. Lorsque la porte du four est ouverte, la lumière du four s'allume automatiquement. Pendant l'autonettoyage, l'éclairage du four ne peut pas être allumé.
START STOP	Démarre ou interrompt l'opération.
TIMERS	Permet d'accéder à la fonction de minuterie de cuisine ou de minuterie du four.
MENU	Ouvre le menu des modes de fonctionnement et des paramètres.
INFO	Affiche des informations supplémentaires sur les modes actuels.
LOCK	Active/désactive le verrouillage du panneau
DRAWER	Active le tiroir chauffant
FAST PREHEAT	Active ou désactive la fonction de préchauffage rapide. L'écran affiche
	Sélectionnez la cavité du four supérieur pour modifier les paramètres.
	Sélectionnez la cavité inférieure du four pour modifier les paramètres.
	Confirmez les paramètres sur l'écran tactile complet
	Revenez à l'écran précédent sur l'écran tactile complet

4.6 Modes et fonctions de chauffage

Vous trouverez ici une liste des modes de chauffage et d'autres fonctionnalités de votre appareil. Ce manuel couvre plusieurs modèles. Votre modèle peut avoir certaines mais pas toutes les fonctionnalités ou affichages répertoriés.

Symbole	Fonction/Mode	Plage de température °F (°C)	Comment cela fonctionne et à quoi il sert
	Convection réelle	150 - 525 (65 - 275)	Pour la cuisson de petits mets sur une ou plusieurs grilles.
	Cuisson à Convection	150 - 525 (65 - 275)	Sert à cuire les grands plats d'aliment et les pains sur 1 ou 2 grilles. Convient également aux plats d'accompagnement et aux casseroles.

Touche tactile INFO

Si la touche tactile **INFO** s'allume, des informations importantes concernant le mode que vous utilisez sont disponibles, par exemple des recommandations sur des ustensiles de cuisine appropriés ou comment préparer les aliments pour un résultat de cuisson sûr.

Comment utiliser cette fonction :

- Lorsque vous appuyez sur **INFO**, les informations s'affichent pendant quelques secondes.
- Pour quitter immédiatement le mode information, appuyez sur **INFO** ou touchez l'écran.

Sons

L'appareil émet plusieurs sons en cours de fonctionnement.

Les sons peuvent indiquer ce qui suit :

- Une touche tactile ou un champ tactile a été enfoncé.
- Une opération a commencé ou s'est terminée.

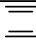


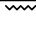






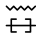


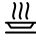





Vous pouvez régler le volume des sons dans les Paramètres de base.

4.5 Menu principal

Appuyez sur **MENU** pour accéder au menu principal.

Menu	Fonction
	Modes de chauffage Accéder au menu des modes de chauffage.
	Nettoyage facile Utilise la vapeur pour dégager les débris d'aliments pour le nettoyage.
	Auto nettoyant Utilise des températures élevées pour brûler la saleté des aliments.
	Réglages Ajuster les paramètres de base de votre appareil.
	Démarrage à distance Ce symbole apparaît lorsque la configuration de Home Connect® est terminée et que le démarrage à distance a été activé.

Remarque : Des fonctions supplémentaires peuvent être disponibles suite aux mises à jour logicielles. Si une mise à jour du logiciel est disponible, vous pouvez trouver de plus amples informations dans l'application Home Connect®.

Symbole	Fonction/Mode	Plage de température °F (°C)	Comment cela fonctionne et à quoi il sert
	Cuisson	150 - 525 (65 - 275)	Cuit les aliments avec de l'air chaud et sec. Utiliser pour la cuisson et le braisage traditionnels sur un niveau.
	Rôtissage par convection	150 - 525 (65 - 275)	Utilise une chaleur intense et de l'air circulé par un ventilateur. Utiliser pour rôtir de la volaille, de plus gros morceaux de viande et des légumes.
	Rôtissage	150 - 525 (65 - 275)	Utiliser pour rôtir de la volaille ou des viandes.
	Gril	450 - 550 (230 - 290)	À utiliser pour griller des plats plats comme des steaks ou des hamburgers, pour faire des rôtis et pour cuire des gratins.
	Gril Max	450 - 550 (230 - 290)	À utiliser pour la cuisson de coupes fines et tendres de viande, de volaille et de poisson.
	Gril à Convection	450 - 525 (230 - 275)	Allie la chaleur intense diffusée par l'élément supérieur à l'air chaud qui circule sous l'action d'un ventilateur. À utiliser pour rôtir de la volaille, du poisson entier et de plus gros morceaux de viande.
	Gril à convection max	450 - 550 (230 - 290)	À utiliser pour des pièces tendres et épaisses de viande, de volaille et de poisson.
	Convection rapide	150 - 525 (65 - 275)	À utiliser pour des plats préparés surgelés. Aucun préchauffage requis.
	Pizza	150 - 525 (65 - 275)	Pour la préparation de pizzas fraîches ou surgelées.
	Cuisson lente	150 - 250 (65 - 120)	À utiliser pour cuire lentement des morceaux de viande tendres poêlés pour aller dans un plat allant au four, sans couvercle.
	Rôtisserie	175 - 550 (80 - 290)	À utiliser pour rôtir de la volaille et des gros morceaux de viande. Les aliments tournent lentement sur une broche.
	Déshydratation	100 - 160 (40 - 70)	À utiliser pour déshydrater des herbes, des fruits et des légumes.
	Levée de pâte	85 - 110 (30 - 45)	Maintient l'environnement chaud et sans courants d'air nécessaire à la fermentation des produits à base de levure. À utiliser pour la fermentation de la pâte à levure et du pain au levain.
	Maintien au chaud	150 - 225 (65 - 110)	À utiliser pour conserver les aliments cuits au chaud.
	Sabbat	100 - 450 (40 - 230)	Le mode Sabbat permet à ceux de confessions particulières d'utiliser leurs fours le jour du sabbat.
	Yom Tov	100 - 450 (40 - 230)	Le mode Yom Tov permet aux personnes de confessions particulières d'utiliser leurs fours pendant le Yom Tov.
	Nettoyage facile	s/o	Méthode de nettoyage alternative utilisant de la vapeur pour détacher les salissures alimentaires pour un nettoyage plus facile.
	Nettoyage Auto	s/o	Ce programme de nettoyage utilise des températures élevées pour brûler la saleté des aliments.
	Démarrage à distance	s/o	Vous permet de démarrer, suspendre et abandonner les programmes du four à distance via l'application Home Connect® sur un appareil mobile.

5 Mise à jour logicielle

Si l'appareil est connecté à Home Connect®, certaines fonctions peuvent être disponibles avec une mise à jour logicielle.

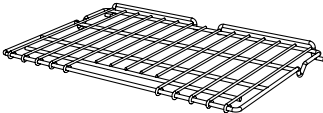
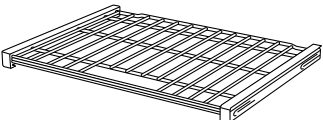
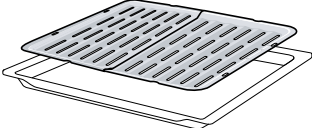
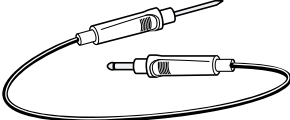
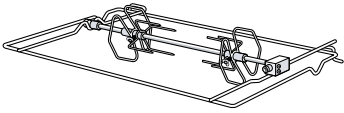
Plus d'informations sur la disponibilité de fonctions supplémentaires peuvent être trouvées sur le site Web www.thermador.ca/fr/home-connect.

6 Accessoires

Utilisez uniquement des accessoires d'origine. Ils ont été spécialement conçus pour votre appareil.

Remarque : Lorsque l'accessoire devient chaud il peut se déformer. Cela n'influe en rien sur son fonctionnement. Quand il refroidit, la déformation disparaît.

Les accessoires fournis peuvent différer selon le modèle d'appareil.

Accessoires	Utilisation
Grille métallique	 <ul style="list-style-type: none"> ■ Ces grilles peuvent être utilisées pour la plupart des cuissons. ■ Vous pouvez utiliser plusieurs grilles en même temps. <p>Remarque : Ne nettoyez pas en utilisant la fonction SELF CLEAN .</p>
Grille télescopique	 <p>Utiliser cette grille afin de faciliter l'insertion des plats dans le four.</p> <p>Remarque : Ne nettoyez pas en utilisant la fonction SELF CLEAN .</p>
Lèchefrite et grille	 <p>Sert à griller et rôtir.</p> <p>Remarques</p> <ul style="list-style-type: none"> ■ Ne nettoyez pas en utilisant la fonction SELF CLEAN . ■ Vous pouvez nettoyer cet accessoire au lave-vaisselle.
Sonde à viande	 <p>Selon votre modèle de four, le four est livré avec une sonde à viande monopoint ou multipoint.</p> <ul style="list-style-type: none"> ■ Sonde à viande monopoint : Un point de mesure détermine le niveau de cuisson interne ou la température finale de nombreux aliments, en particulier des viandes et de la volaille. ■ Sonde à viande multipoint : Les trois points de mesure permettent de rôtir à la perfection selon vos propres critères. <p>Remarques</p> <ul style="list-style-type: none"> ■ Ne nettoyez pas en utilisant la fonction SELF CLEAN . ■ Ne pas nettoyer au lave-vaisselle.
Rôtissoire	 <p>Utilisez cet accessoire en mode Tournebroche.</p> <p>Remarque : Ne nettoyez pas en utilisant la fonction SELF CLEAN .</p>

6.1 Autres accessoires

Vous pouvez acheter des accessoires supplémentaires auprès du service client, de revendeurs spécialisés ou sur Internet.

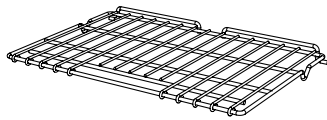
Vous pouvez trouver une gamme complète de votre appareil sur Internet ou dans nos brochures: www.thermador.com

Les accessoires sont spécifiques à l'appareil. Indiquez toujours la description exacte (n ° E) de votre appareil lors de l'achat.

Vous pouvez connaître les accessoires disponibles pour votre appareil dans la boutique en ligne ou auprès du service client.

Autres accessoires

Unterstützung autonettoyant gießen vier Conventionnel (Ensemble de 3)

**Utilisation**

Pour les plats et les mets allant au four, et les moules à gâteau. Il n'est pas nécessaire de retirer ces grilles au cours de **SELF CLEAN**.

6.2 Utilisation sûre des grilles de four

Pour votre sécurité, suivez ces recommandations sur l'utilisation correcte des grilles du four.

⚠ MISE EN GARDE

Placement des grilles du four - Placez toujours les grilles du four dans l'emplacement pendant que le four est froid. Si la grille doit être déplacée alors que le four est chaud, ne laissez pas les maniques entrer en contact avec les éléments chauffants chauds du four. Soyez prudent lorsque vous retirez les grilles du four de la position la plus basse pour éviter tout contact avec la porte chaude du four.

⚠ MISE EN GARDE

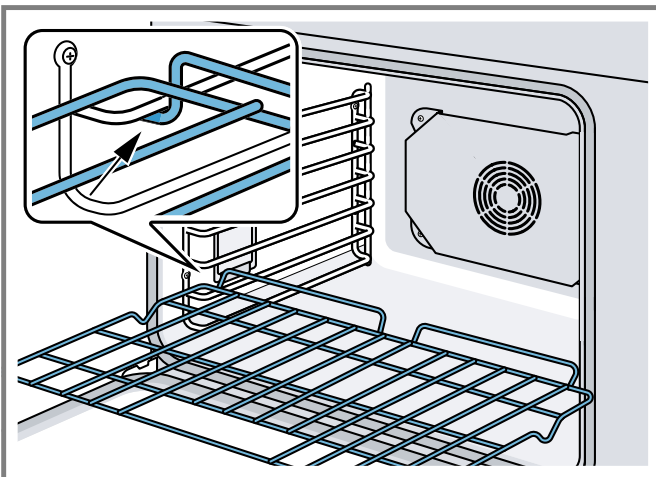
Pour éviter d'éventuelles blessures ou dommages à l'appareil, assurez-vous que la grille du four est installée exactement selon les instructions d'installation et non vers l'arrière ou à l'envers. Ne glissez pas d'accessoires entre les grilles, sinon ils risquent de se renverser.

6.3 Insertion de la grille métallique

La grille peut être utilisée dans le four conventionnel au niveau 1 à 6.

Exigence : Vous avez lu la recommandation sur → "Utilisation sûre des grilles de four", Page 60.

1. Saisissez fermement la grille des deux côtés.
2. Inclinez la grille vers le haut pour permettre l'arrêt dans le guide de la grille.



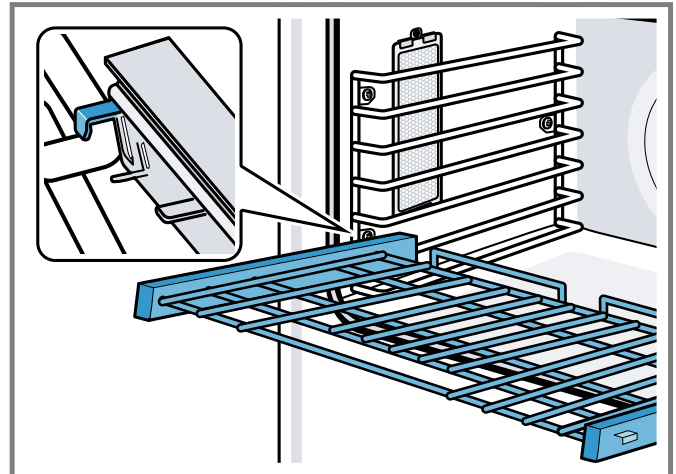
3. Amenez la grille en position horizontale et poussez-la à fond.

La grille doit être droite et plate, pas tordue.

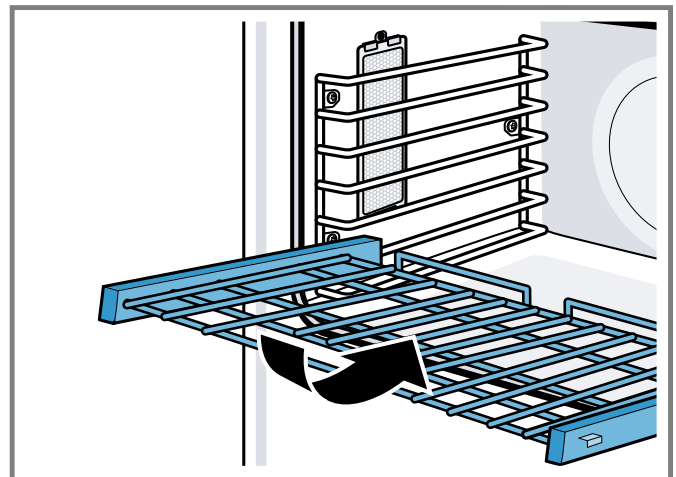
6.4 Insertion de la grille télescopique

Exigence : Vous avez lu la recommandation sur → "Utilisation sûre des grilles de four", Page 60.

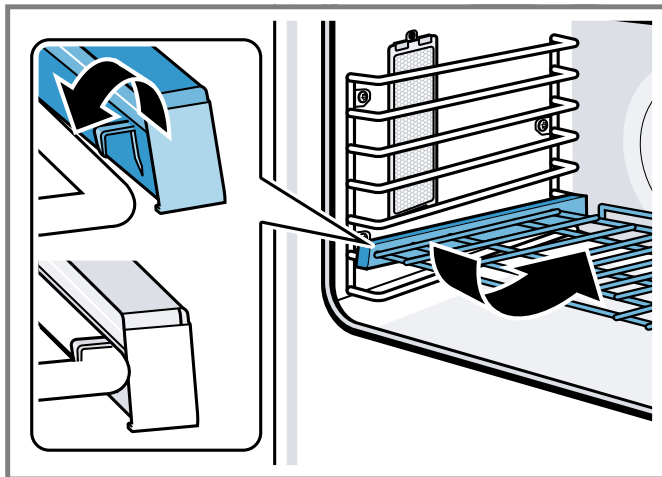
1. Tenez la grille télescopique légèrement inclinée et engagez les crochets arrière dans les rails du four des deux côtés de la cavité du four.



2. Tenez la grille bien droite pour permettre à la deuxième languette de reposer sur la barre du four.
3. Poussez la grille jusqu'à ce qu'elle soit de niveau avec les crochets avant.



- Levez la grille pour verrouiller la dernière languette en position.



- Enfoncez complètement la grille.
- Assurez-vous que les crochets avant de la grille télescopique s'engagent dans les rails du four.

7 Avant d'utiliser pour la première fois

Effectuez ces étapes avant d'utiliser votre appareil.

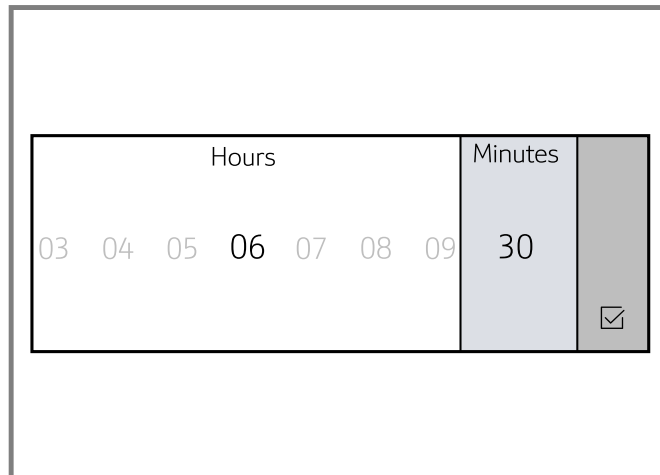
- L'appareil doit être correctement installé par un prestataire de services qualifié avant l'utilisation.
- Lisez et comprenez toutes les précautions et informations de sécurité → *Page 46* dans le manuel avant de l'utiliser.
- Téléchargez l'application Home Connect® (Amérique) pour contrôler à distance votre appareil, trouver l'inspiration pour cuisiner et accéder aux conseils et à l'assistance technique.
→ *"Home Connect®", Page 74*
- Ce manuel couvre plusieurs modèles. Toutes les fonctionnalités ne sont pas disponibles sur tous les modèles.

7.1 Réglage initial des paramètres de base

Une fois l'appareil connecté à l'alimentation électrique, vous êtes invité à définir certains paramètres de base pour vous assurer que vous pouvez utiliser votre appareil de manière pratique et sûre.

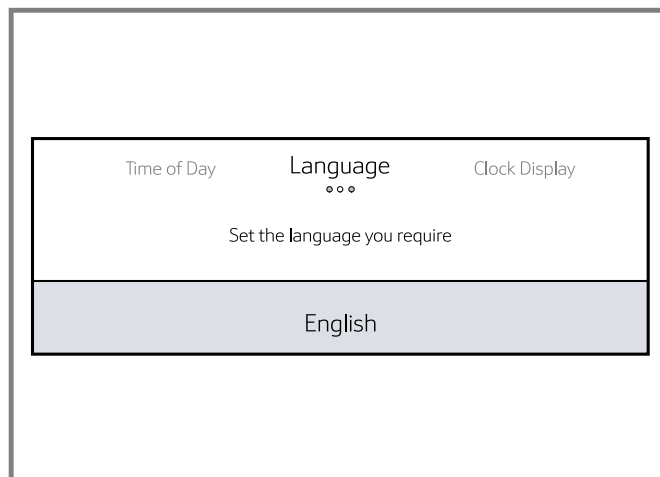
1. Réglage de l'horloge :

- Touchez la ligne du bas sur l'écran tactile. Les options de réglage du temps sont affichées.
- Touchez "Heures" et balayez vers la gauche ou la droite jusqu'à ce que le numéro souhaité soit net.
- Touchez "Minutes" et balayez vers la gauche ou la droite jusqu'à ce que le nombre correct soit net.
- Touchez pour confirmer.



2. Réglage de la langue :

- Touchez la ligne du bas sur l'écran tactile.
- Faites glisser votre doigt vers la gauche ou la droite jusqu'à la dernière ligne jusqu'à ce que la langue souhaitée soit nette.
- Appuyez sur la ligne du bas et faites glisser votre doigt vers la gauche ou la droite jusqu'à ce que la langue correcte soit mise au point.
- Effleurez la ligne du haut.



3. Réglages de l'affichage de l'heure :

- Touchez "Affichage de l'Heure".
- Effleurez la ligne du bas.

- Glissez vers la gauche ou la droite pour sélectionner "Numérique" ou "Analogue".
- Effleurez la ligne du haut.

7.2 Jumeler votre four avec Home Connect®

Pour utiliser toutes les fonctionnalités de l'appareil, téléchargez l'application Home Connect® (Amérique) sur un appareil intelligent et associez l'appareil à l'appareil Wi-Fi de la maison.

- ▶ Pour obtenir des instructions pas à pas, voir → "Home Connect®", Page 74.

7.3 Nettoyage de l'appareil avant sa première utilisation

Nettoyez la cavité du four et les accessoires avant d'utiliser l'appareil pour préparer des aliments pour la première fois.

AVIS :

DOMMAGES À L'ÉMAIL!

- ▶ Ne lancez pas une commande s'il y a de l'eau sur la sole de la cavité du four.
- ▶ Laissez l'appareil électroménager refroidir et essuyez l'eau sur la sole de la cavité du four avant de lancer une commande.

Remarque : Il peut y avoir une légère odeur aux premières utilisations. Ceci est normal et disparaîtra.

1. Retirez tout l'emballage à l'intérieur et à l'extérieur du four.
2. Avant de chauffer l'appareil, essuyez les surfaces lisses dans la cavité du four avec un chiffon doux et humide et séchez.
3. Gardez la pièce ventilée pendant que l'appareil chauffe.
4. Fermez les deux portes du four.
5. Appuyez sur **ON I OFF**.
6. Sélectionnez le mode de chauffage et la température.

Mode de cuisson	Cuisson
Température	475 °F (245 °C)
Durée	30 minutes

7. Éteignez l'appareil après le temps de cuisson spécifié en appuyant sur **ON I OFF**.
8. Attendez que les cavités du four se soient refroidies.
9. Nettoyez les surfaces lisses avec un torchon à vaisselle et de l'eau savonneuse.
10. Laver soigneusement les accessoires avec de l'eau savonneuse et un chiffon et bien rincer.

8 Opération de base

8.1 Allumer l'appareil

- ▶ Appuyez sur **ON I OFF**.

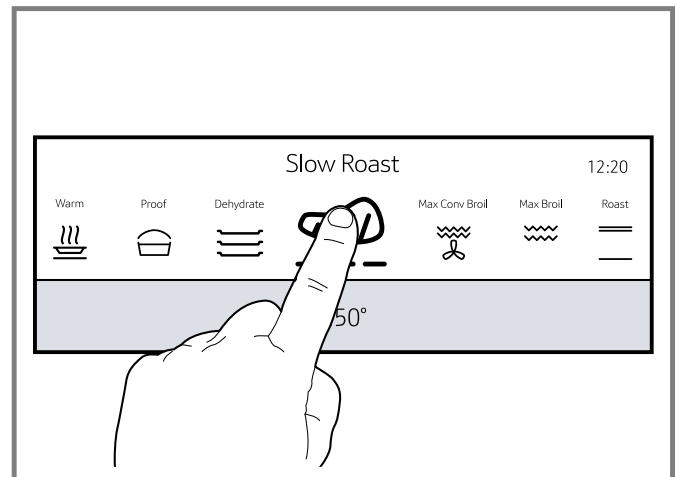
8.2 Éteindre l'appareil

Éteignez l'appareil électroménager lorsque vous ne l'utilisez pas.

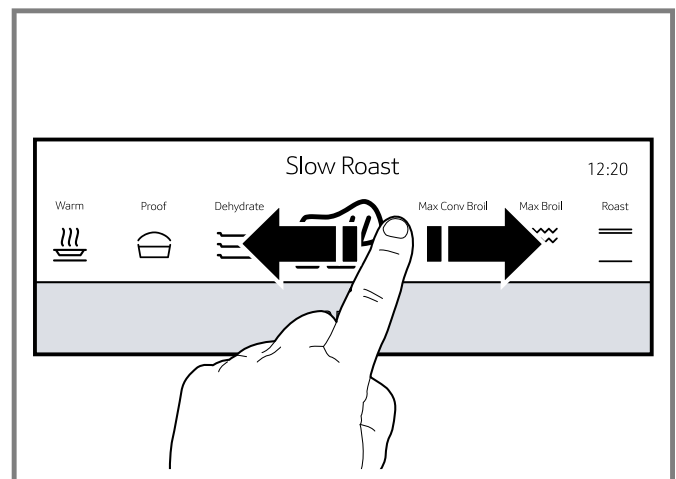
- ▶ Appuyez sur **ON I OFF**.
Il s'éteint de lui-même automatiquement lorsqu'aucun paramètre n'est saisi pendant un certain temps.
- ✓ Le ventilateur de refroidissement peut continuer à tourner.
- ✓ Certains indicateurs restent visibles à l'écran après l'arrêt de l'appareil, par exemple la notification de chaleur résiduelle.

8.3 Utilisation de l'écran tactile


1. Appuyez sur la zone souhaitée sur l'écran pour sélectionner une option.

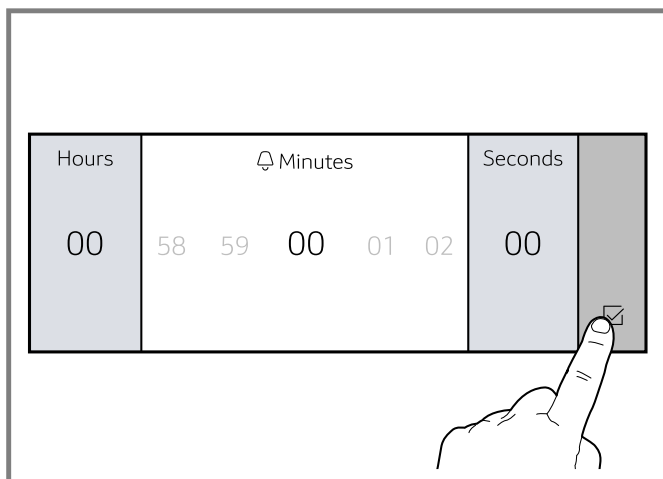



2. Faites glisser votre doigt vers la gauche ou la droite pour parcourir les différents paramètres.

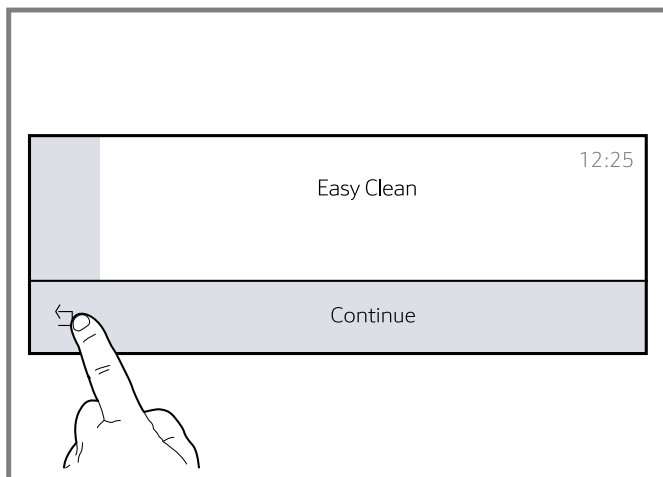




- ✓ Le paramètre mis au point apparaît plus grand et bleu.

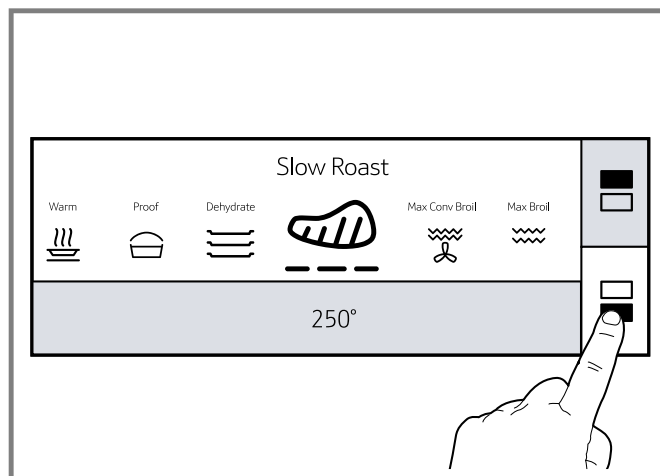
3. Dans certains cas, les paramètres doivent être confirmés en touchant .



4. Certaines opérations vous permettent de revenir à l'écran précédent en touchant .



5. Pour les fours doubles, vous devez d'abord sélectionner la cavité de four souhaitée. Touchez  pour sélectionner le four supérieur, touchez  pour sélectionner le four inférieur.



Les icônes de la cavité du four s'allument de différentes couleurs :

Couleur de l'icône de la cavité	Signification
Bleu	La cavité du four est sélectionnée, procédez aux réglages.
Blanc	La cavité du four est en cours de fonctionnement.
Gris	La cavité du four est inactive.

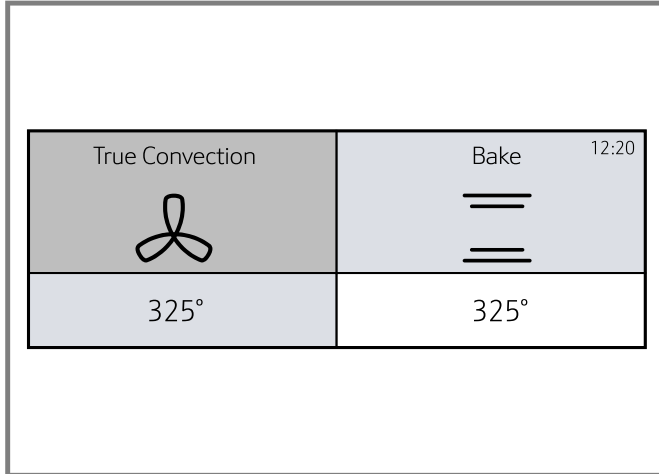
8.4 Réglage du mode de chauffage et de la température

- Sélectionnez la cavité de four souhaitée.
- Appuyez sur **ON I OFF**.
 - ✓ Le menu des modes de chauffage apparaît à l'écran.
- Balayez vers la gauche ou la droite sur la ligne supérieure de l'écran jusqu'à ce que le mode de chauffage souhaité soit mis au point.
 - ✓ La température par défaut est affichée sur la ligne inférieure de l'écran.
- Faites glisser votre doigt vers la gauche ou la droite sur la ligne inférieure de l'écran jusqu'à ce que la température souhaitée soit nette.
- Appuyez sur **START I STOP**.
 - ✓ Le four commence à préchauffer. La barre de préchauffage commence à se remplir.
- Sélectionnez l'autre cavité du four et effectuez les réglages souhaités.

Vous ne pouvez effectuer des réglages que pour une seule cavité du four à la fois.

 - ✓ L'écran affiche les réglages des deux cavités du four côte-à-côte. Les réglages du four supérieur sont affichés dans la moitié gauche, les réglages du four

inférieur sont affichés dans la moitié droite de l'écran. Sélectionnez une cavité de four en touchant la moitié d'affichage de la cavité de four désirée.



7. Si vous souhaitez ajuster les paramètres, touchez la moitié de l'écran de la cavité du four souhaitée et ajustez le paramètre souhaité.

8.5 Modification du mode de chauffage ou de la température

1. Pour les fours doubles : sélectionnez la cavité du four souhaitée.
 2. Appuyez sur la zone du paramètre que vous souhaitez modifier.
 3. Balayez pour modifier le paramètre.
- ✓ L'appareil continue de fonctionner avec les paramètres modifiés.

8.6 Annulation d'un mode de chauffage

1. Sélectionnez la cavité de four souhaitée.
2. Appuyez sur **START I STOP**.

8.7 Limitation du temps de chauffage

La durée de chauffage maximale est limitée. Si vous oubliez d'éteindre le four, il s'éteint automatiquement après une durée établie.

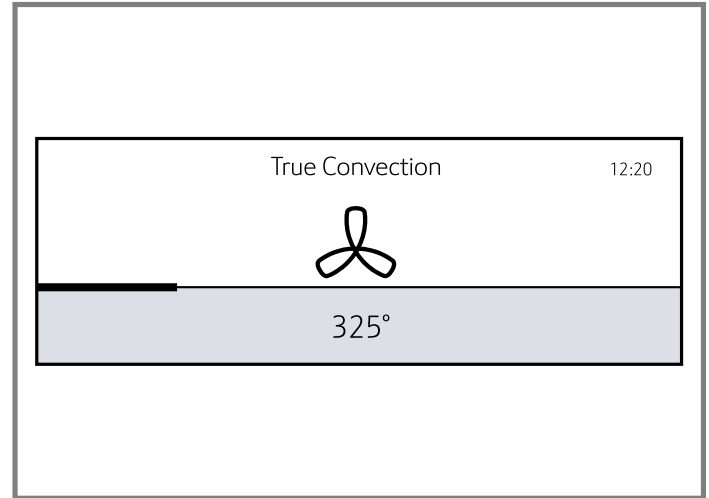
La durée maximale du mode Sabbath est de 74 heures. Pour tous les autres modes de chauffage, la durée maximale autorisée est de 24 heures.

Température °F (°C)	Maximum temps alloué sans activité
100 - 200 (30 - 120)	24 heures
201 - 550 (121 - 300)	12 heures

8.8 Préchauffage

Placez les aliments dans le four une fois le préchauffage terminé.

Dès qu'un nouveau mode de cuisson est amorcé, la barre de préchauffage apparaît à l'écran. Elle indique l'augmentation de la température dans la cavité du four. Lorsque le four est complètement préchauffé, un signal sonore retentit.



8.9 Préchauffage rapide

Cette fonction vous permet de raccourcir le temps nécessaire au four pour atteindre la température réglée. Le préchauffage rapide est disponible pour les modes de chauffage suivants :



- "Convection réelle"
- "Cuisson à Convection"
- "Cuisson"
- "Rôtissage"
- "Rôtissage par convection"

Remarque : Si la touche tactile **FAST PREHEAT** s'allume, la fonction peut être activée.

Réglage du préchauffage rapide

Pour obtenir un résultat de cuisson uniforme, attendez la fin du préchauffage rapide avant de placer vos aliments ou vos accessoires dans la cavité du four.

1. Réglez le mode de chauffage et la température souhaités.
2. Appuyez sur **START I STOP**.
3. Appuyez sur **FAST PREHEAT**.

- ✓  s'allume à l'écran.
 - ✓ Lorsque la température réglée est atteinte, la fonction se désactive automatiquement. L'indicateur  s'éteint.
4. Placez les aliments dans la cavité du four.

Remarque : Vous pouvez désactiver manuellement le préchauffage rapide en appuyant sur **FAST PREHEAT**.

8.10 Activer ou désactiver le verrouillage du panneau

Avec le verrouillage du panneau, vous pouvez désactiver toutes les touches tactiles du panneau de commande.

Remarque : Selon votre modèle, votre appareil peut ne pas avoir de touche tactile **LOCK**. Pour ces modèles, la touche tactile **TIMERS** active le verrouillage du panneau.

Exigence : Le four est en mode veille.

- Appuyez et maintenez **LOCK** pendant 4 secondes.
 - ✓ Le verrouillage du panneau est activé.
- Appuyez sur **LOCK** et maintenez à nouveau pendant 4 secondes pour désactiver le verrouillage du panneau.
 - ✓ L'écran repasse en mode veille.

8.11 Sonde thermométrique

La sonde à viande mesure la température interne de l'aliment. Vous pouvez régler une température à cœur et le mode de chauffage s'éteint automatiquement dès que la température réglée est atteinte.


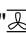
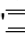



La sonde à viande multipoint mesure la température dans trois zones différentes de vos aliments pour garantir les résultats de cuisson les plus précis.

AVERTISSEMENT

L'utilisation de la mauvaise sonde thermométrique peut endommager l'isolant.

- ▶ Utiliser uniquement la sonde thermométrique conçue pour cet appareil électroménager.

Modes de chauffage appropriés :

- "Convection réelle" 
- "Cuisson à Convection" 
- "Cuisson" 
- "Rôtissage par convection" 
- "Rôtissage" 
- "Cuisson lente" 
- La sonde thermométrique mesure la température interne des mets entre 85 °F et 210 °F (30 °C et 99 °C).
- Pour éviter que la sonde thermique ne soit endommagée, ne réglez pas une température du four au-dessus de 480 °F (250 °C).
- Utilisez uniquement la sonde thermométrique fournie avec cet appareil électroménager. Des sondes à viande supplémentaires ou de remplacement peuvent être commandées auprès du service clientèle.
- Ne stockez pas la sonde dans la cavité du four. Retirez toujours la sonde thermique de la cavité du four après utilisation.

Insertion de la sonde à viande

Exigence

- L'aliment doit être complètement dégelé avant d'introduire la sonde dans la viande.
- La sonde est livrée avec un capuchon de plastique noir sur son extrémité. Le capuchon doit être retiré avant l'emploi.

- Introduire la pointe de la sonde dans la viande au milieu, dans la partie la plus épaisse de la viande ou de la poitrine, dans le cas d'une volaille. S'assurer que la sonde ne touche pas au gras, à l'os ou à des parties du four ou du plat.

Utilisez toujours la sonde par la poignée pour l'insérer et la retirer.

Remarque : La poignée de la sonde devient chaude pendant la cuisson. Utilisez toujours des gants de cuisine lorsque vous touchez la poignée de la sonde.

- Insérez la fiche de la sonde dans la prise située sur le côté de la cavité du four.

Poussez la sonde à fond et tirez-la jusqu'à ce qu'elle s'enclenche dans la douille.

Réglage de la sonde à viande

AVERTISSEMENT

L'intérieur du four et la sonde thermométrique peuvent devenir très chauds.

- ▶ Utiliser des gants de four pour enficher et débrancher la sonde thermométrique.


- Insérez la sonde à viande dans les aliments.
→ "Insertion de la sonde à viande", Page 65
- Insérez la fiche de la sonde dans la prise située sur le côté de la cavité du four.

✓  s'allume à l'écran.

- Fermer la porte de de l'appareil.

- Réglez le mode de chauffage et la température souhaités.

- Touchez .

- Touchez  et glissez vers la gauche ou la droite pour sélectionner la température interne requise.

La température réglée de la cavité du four doit être d'au moins 50 °F (10 °C) de plus que la température de la sonde thermométrique.

- Appuyez sur **START | STOP**.

✓ La température actuelle et la température cible de la sonde sont affichées.

✓ Lorsque la température de sonde réglée est atteinte, le mode de chauffage s'éteint.

- Débrancher la sonde thermométrique de la douille.

8.12 Rôtissoire

La rôtissoire utilise la chaleur rayonnée par l'élément de grill. Les aliments tournent lentement sur une broche au centre du four. Il permet de sceller la saveur et le jus tout en cuisant la viande sans ajout de matières grasses ou de liquides.

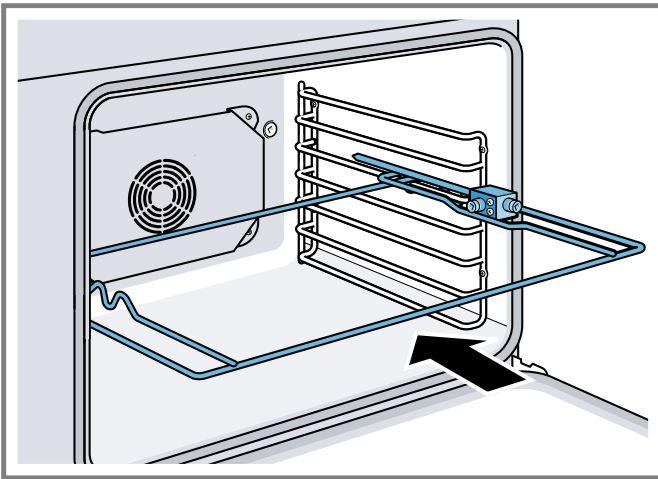
Le mode rôtisserie est le mieux adapté à la cuisson de gros morceaux de viande, comme un poulet entier, une dinde ou un gros rôti.

Notes générales :

- Le poids maximum permis pour l'utilisation du tournebroche est de 12 lb (6 kg).
- Utilisez une sonde thermométrique pour vérifier la température interne de la viande.
- La plage de température autorisée est de 175 à 550 °F (80 à 290 °C).

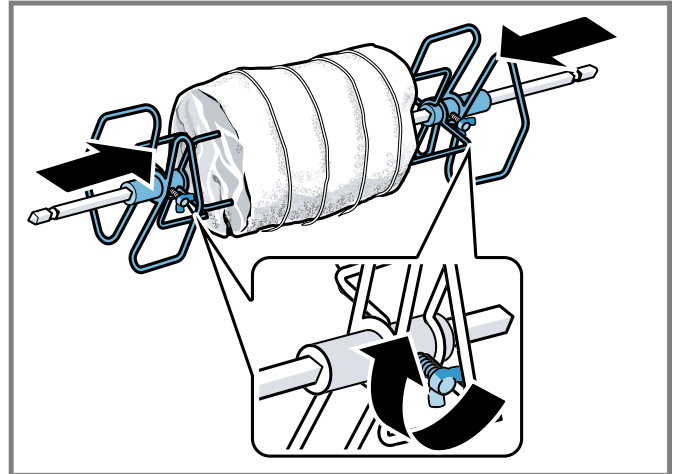
Assemblage de la rôtissoire

1. Insérez à moitié la grille du tourne-broche dans le four au niveau 5.

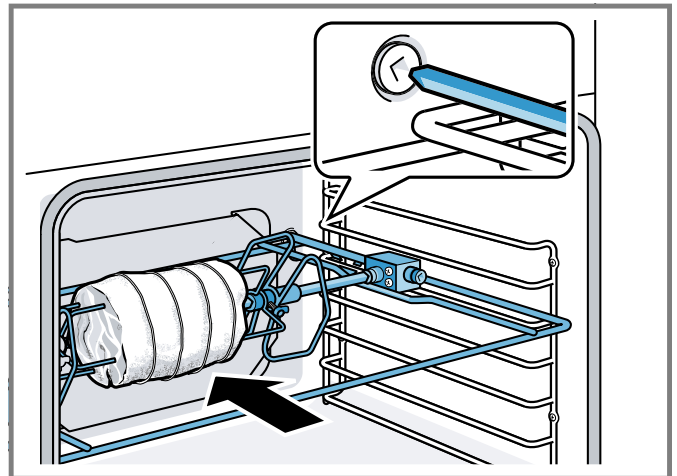


2. Coulez l'attache gauche sur la broche et serrez la vis.
3. Glissez la viande ou la volaille à rôtir sur la broche.
4. Coulez l'attache droite sur la broche et serrez la vis.

5. Vérifiez l'équilibre de l'aliment sur la broche en la tournant dans la paume de vos mains. La cuisson d'un aliment mal équilibré sur la broche ne sera pas uniforme.



6. Placez la broche du tourne-broche sur la grille.
7. Insérez la grille de la broche dans le four et insérez l'arbre d'entraînement dans l'orifice de la paroi arrière du four.



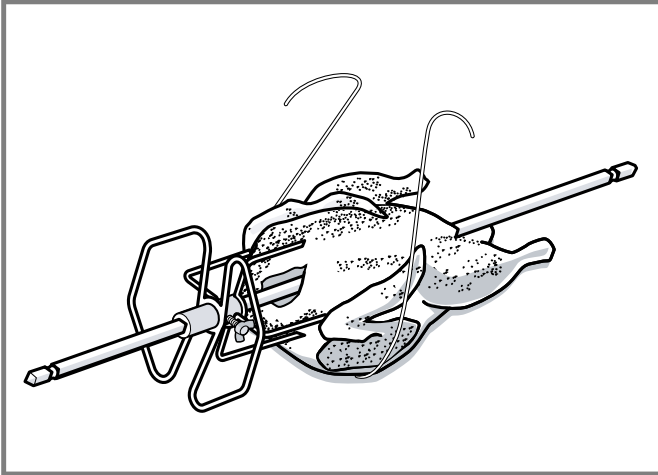
Au besoin, tournez légèrement la broche pour bien l'insérer dans l'orifice.

8. Insérez la grille en position 1 et utilisez la lèchefrite pour récupérer les gouttes.

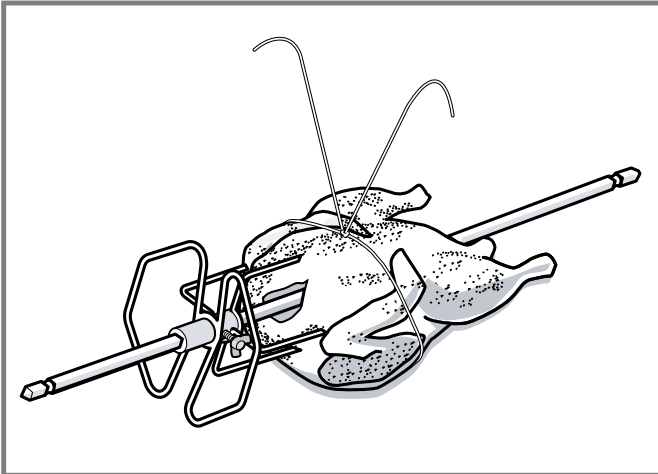
Briquer la volaille pour la rôtisserie

1. Glissez une attache sur la broche, les dents pointant vers l'extrémité de la broche. Serrez légèrement la vis pour l'empêcher de glisser.
2. Insérez la brochette dans la volaille en fixant la volaille avec la fourchette.

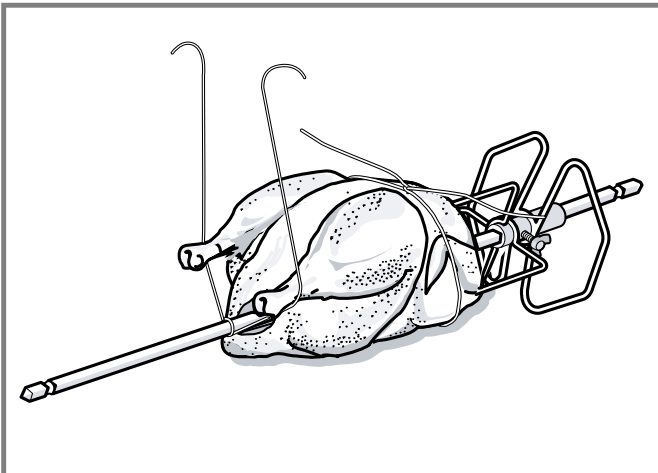
3. Coupez 24 po (61 cm) de corde de cuisine. Déposez la corde sous la volaille, poitrine vers le haut, en gardant les deux bouts égaux de chaque côté.



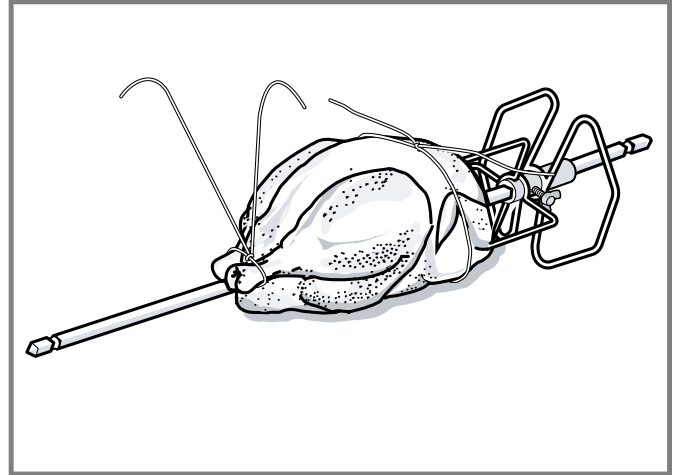
4. Enroulez chaque extrémité de la ficelle autour de chacune des ailes. Attrapez chaque extrémité de l'aile pendant que vous rapprochez la corde en haut et nouez-la. Ne coupez pas la corde restante.



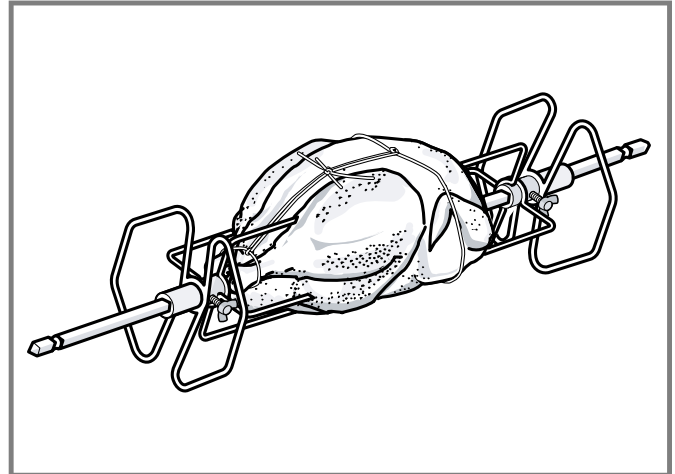
5. Coupez un autre bout de corde de cuisine de 24 po (61 cm) et déposez-la sur le dos. Enroulez la corde autour de la queue puis de la broche. Serrez bien.



6. Tirez les jambes vers l'avant, croisez-les sur le dessus de la brochette. Enroulez avec la corde et faites un nœud.



7. Connectez la ficelle qui retient les jambes à la ficelle tenant les ailes et nouez-les ensemble. Glissez l'autre attache et enfoncez les dents dans les pilons de la volaille pour les fixer solidement.



8. Vérifiez l'équilibre tournant la broche dans la paume de vos mains. La volaille ne devrait pas tourner sur la broche ni être lâche à un endroit quelconque. Si c'est le cas, bridez-la de nouveau.

La cuisson d'une volaille mal équilibrée sur la broche ne sera pas uniforme.

Démarrage du mode rôtisserie

1. Sélectionnez le mode de rôtisserie.
- ✓ La température par défaut est de 400 °F (200 °C).
2. Faites glisser pour régler la température et appuyez sur **START | STOP**.

Recommandations de cuisson pour la rôtisserie

Vous trouverez ici des recommandations pour la cuisson de différents aliments avec le mode rôtissoire.

Bœuf

Produit alimentaire	Poids en lb	Température du four en °F (°C)	Temps en min./lb	Température interne des aliments en °F (°C)
Rôti de faux-filet, mi-saignant	3 - 5,5	400 (200)	17 - 23	145 (65)
Rôti de faux-filet, moyen	3 - 5,5	400 (200)	18 - 27	160 (70)

Porc

Produit alimentaire	Poids en lb	Température du four en °F (°C)	Temps en min./lb	Température interne des aliments en °F (°C)
Rôti de longe, désossé	1,5 - 4	400 (200)	16 - 24	145 (65)
Rôti de longe, désossé	1,5 - 4	400 (200)	20 - 26	160 (70)

Volaille

Produit alimentaire	Poids en lb	Température du four en °F (°C)	Temps en min./lb	Température interne des aliments en °F (°C)
Poulet, entier	4 - 8	450 (230)	12 - 17	165 (75)
Dinde, entière	10 - 12	400 (200)	10 - 12	165 (75)
Poitrine de dinde	4 - 7	400 (200)	16 - 19	165 (75)
4 poulets de Cornouaille	1,5 chacune	450 (230)	60 - 70 total	165 (75)

Agneau

Produit alimentaire	Poids en lb	Température du four en °F (°C)	Temps en min./lb	Température interne des aliments en °F (°C)
Cuisse, désossée, moyenne	4 - 6	400 (200)	20 - 23	160 (70)
Cuisse, désossée, bien cuit	4 - 6	400 (200)	27 - 29	170 (75)

9 Fonctions de minuterie

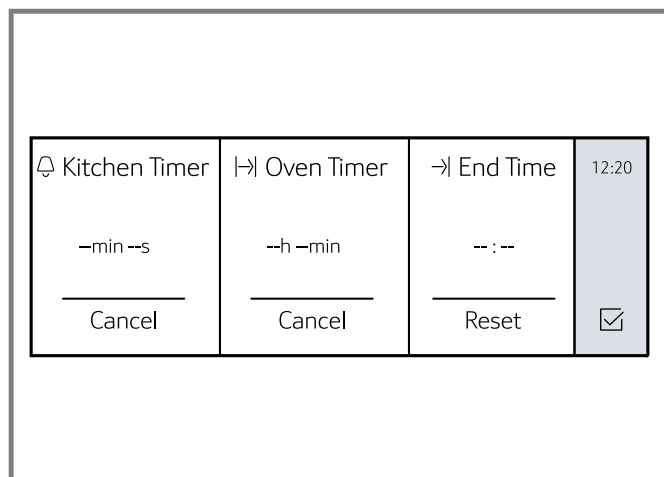
Votre appareil possède diverses fonctions de réglage de l'heure.

9.1 Réglage de la minuterie du four

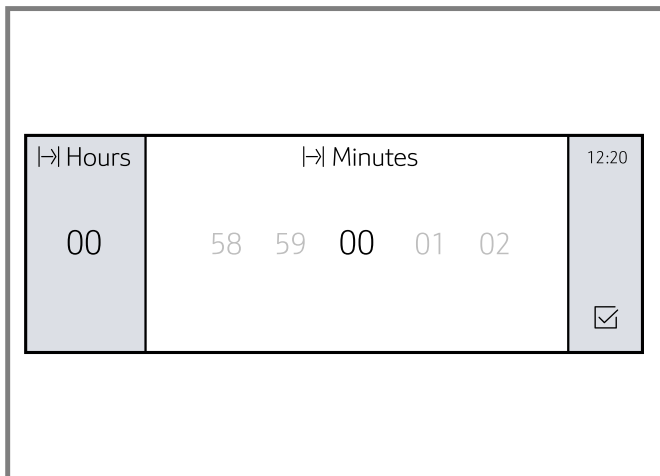
Si vous réglez une minuterie de four, le fonctionnement du four s'arrête automatiquement une fois ce temps écoulé.

1. Réglez un mode de chauffage et une température.

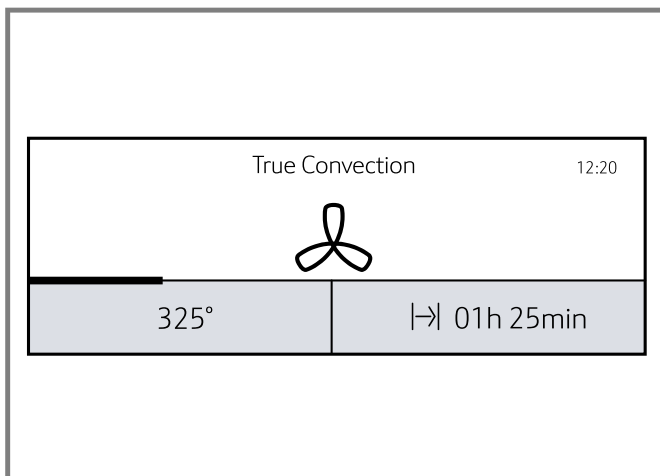
2. Appuyez sur **TIMERS**.



3. Touchez \rightarrow "Minuterie du four".
4. Faites glisser votre doigt vers la gauche ou la droite pour sélectionner la valeur souhaitée. Vous pouvez régler les heures et les minutes.



5. Touchez .
6. Appuyez sur **START | STOP**.
 - ✓ La minuterie de four lance le compte à rebours.
 - ✓ La valeur de la minuterie et \rightarrow s'affichent sur la dernière ligne de l'écran.



- ✓ Une fois le temps écoulé, un signal retentit. Une notification s'affiche à l'écran.

Modification ou annulation de la minuterie du four

1. Appuyez sur **TIMERS**.
2. Sélectionnez \rightarrow "Minuterie du four".
3. Définissez une nouvelle valeur et touchez . Pour annuler la minuterie du four, sélectionnez 0 ou touchez "Cancel".

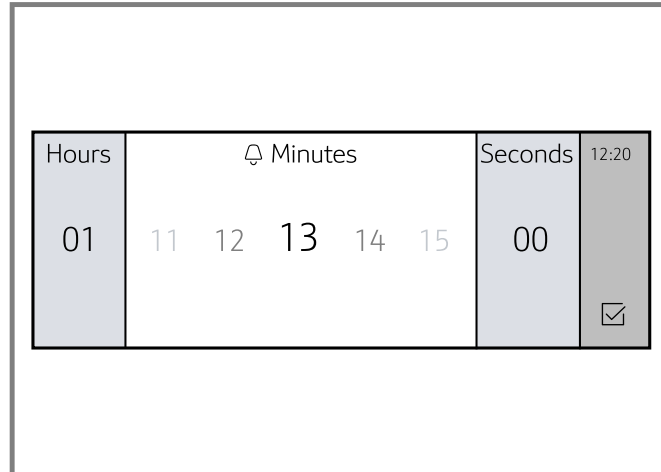
9.2 Réglage de la minuterie de cuisine

La minuterie de cuisine est une minuterie à compte à rebours qui n'a aucun effet sur le chauffage du four.

Remarque : Vous pouvez régler la minuterie de cuisine lorsque l'appareil est allumé ou éteint.

1. Appuyez sur **TIMERS**.

2. Si l'appareil électroménager est sous tension, touchez \rightarrow "Minuterie de cuisine".
3. Faites glisser votre doigt vers la gauche ou la droite pour sélectionner la valeur souhaitée. Vous pouvez régler les heures, les minutes et les secondes.



4. Touchez .
 - ✓ La minuterie de cuisine lance le compte à rebours.
 - ✓ La valeur de la minuterie et \rightarrow s'affichent dans le coin supérieur gauche de l'écran.
 - ✓ Une fois le temps écoulé, un signal retentit. Une notification s'affiche à l'écran.

Modification ou annulation du minuteur de cuisine

1. Appuyez sur **TIMERS**.
2. Sélectionnez \rightarrow "Minuterie de cuisine".
3. Définissez une nouvelle valeur et touchez . Pour annuler la minuterie de la cuisine, sélectionnez 0 ou touchez "clear".

9.3 Réglage du fonctionnement différé avec Heure de fin

Avec cette fonction, vous pouvez programmer votre four pour terminer un mode de chauffage à une heure prédéterminée.

⚠ MISE EN GARDE

La nourriture peut se gâter lorsqu'elle est laissée sur place trop longtemps.

- Pour préserver la sécurité alimentaire, ne pas laisser les aliments dans le four plus d'une heure avant ou après leur cuisson.

1. Placez les aliments dans le bon accessoire et glissez-le dans la cavité du four. Fermez la porte de l'appareil électroménager.
2. Sélectionnez la cavité de four souhaitée.
3. Réglez un mode de chauffage et une température.
4. Appuyez sur **TIMERS**.
5. Réglez une minuterie de four et touchez .
6. Appuyez sur **TIMERS**.
7. Définissez une heure de fin pour la cuisson différée.
8. Touchez .

9. Appuyez sur **START I STOP**.

- ✓ L'appareil électroménager attend la bonne heure pour lancer la commande.
- ✓ Une fois le temps écoulé, un signal retentit. Une notification s'affiche à l'écran.

Modification ou annulation du temps de délai



1. Appuyez sur **TIMERS**.
2. Sélectionnez →"Heure de fin".
3. Définissez une nouvelle valeur et touchez . Pour annuler l'heure de fin, sélectionnez 0 ou touchez "Cancel".

9.4 Mode sabbat

Le mode Sabbat permet à ceux de confessions particulières d'utiliser leurs fours le jour du sabbat.

- Le mode Sabbat doit être activé dans le menu des paramètres de base.
- Le mode Sabbat utilise automatiquement le mode chauffage "Cuisson". Le mode de chauffage ne peut pas être modifié.
- La plage de température peut être réglée entre 100°F (38 °C) et 450°F (230 °C).
- Vous pouvez définir une durée pouvant aller jusqu'à 74 heures.
- La minuterie de cuisine, la minuterie du four et la fonction de sonde à viande ne sont pas disponibles en mode Sabbat.
- Le fait d'appuyer sur l'une des touches tactiles lorsque le four est en mode Sabbat n'aura aucun effet.
- Si la lumière du four est allumée lorsque vous réglez le mode Sabbat, la lumière reste allumée. S'il est éteint lorsque vous réglez le mode Sabbat, le voyant reste éteint.
- Vous pouvez exécuter le mode Sabbat sur une cavité du four ou sur les deux cavités du four en même temps. Les deux cavités du four partagent une minuterie en mode Sabbat, mais vous pouvez définir des températures différentes pour chaque cavité du four.

Réglage du mode Sabbat

1. Appuyez sur **ON I OFF**.
2. Sélectionnez la cavité de four souhaitée.
3. Faites défiler vers la gauche ou la droite pour sélectionner  "Sabbat".
- ✓ "Cuisson" est défini comme mode de chauffage par défaut et ne peut pas être modifié.
4. Réglez une température dans la plage de température autorisée sur la ligne inférieure de l'écran.
5. Touchez .
6. Touchez  "Minuterie du four" et réglez l'heure souhaitée.
7. Touchez .
8. Appuyez sur **START I STOP**.

- ✓ Le mode Sabbat démarre après 5 minutes. Pendant ce temps, vous pouvez toujours apporter des modifications.
- ✓ Une fois que le mode Sabbat a démarré, toutes les commandes sauf **ON I OFF** sont désactivés.
- ✓ Le fonctionnement se poursuit même si vous ouvrez la porte de l'appareil électroménager.
- ✓ Une fois la durée du mode Sabbath écoulée, un signal sonore retentit. L'appareil cesse de chauffer.

9. Appuyez sur **ON I OFF**.

Annulation du mode Sabbat


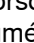
Vous pouvez annuler la fonction à tout moment.

- ▶ Appuyez sur **ON I OFF**.

9.5 Mode Yom Tov

Avec le mode Yom Tov, vous pouvez régler une durée de cuisson jusqu'à 74 heures au cours laquelle vous pouvez sélectionner six températures de cuisson.

Réglage du mode Yom Tov

1. Appuyez sur **ON I OFF**.
2. Sélectionnez la cavité de four souhaitée.
3. Faites défiler vers la gauche ou la droite pour sélectionner  "Yom Tov".
- ✓ "Cuisson" est défini comme mode de chauffage par défaut et ne peut pas être modifié.
4. Réglez une température dans la plage de température autorisée sur la ligne inférieure de l'écran.
5. Touchez .
6. Touchez  "Minuterie du four" et réglez l'heure souhaitée.
7. Touchez .
8. Appuyez sur **START I STOP**.
- ✓ Le mode Yom Tov démarre après 5 minutes. Pendant ce temps, vous pouvez toujours apporter des modifications.
- ✓ Une fois le mode Yom Tov lancé, toutes les commandes sauf **ON I OFF** sont désactivés.
- ✓ Six températures sont affichées sur l'écran.
9. Vous pouvez modifier la température en touchant le champ souhaité.
- ✓ La température est modifiée sans réponse de l'affichage.
- ✓ Une fois la durée du mode Yom Tov écoulée, un signal sonore retentit. L'appareil cesse de chauffer.
10. Appuyez sur **ON I OFF**.

Annulation du mode Yom Tov

Vous pouvez annuler la fonction à tout moment.

- ▶ Appuyez sur **ON I OFF**.

10 Réglages de base


Vous pouvez modifier les réglages de base de votre appareil en fonction de vos besoins.

10.1 Présentation des paramètres de base

Cette section contient une vue d'ensemble des réglages de base et d'usine. Les réglages de base dépendent de l'équipement de votre appareil.


Réglage	Option
Heure	Temps donnée en heures et en minutes
Langue	<ul style="list-style-type: none"> ■ Anglais¹ ■ Français ■ Espagnol
Format de l'Heure	<ul style="list-style-type: none"> ■ 12 hr ¹ ■ 24 h
Affichage de l'Heure	<ul style="list-style-type: none"> ■ Numérique ■ Analogue
Format Temperature	<ul style="list-style-type: none"> ■ °F¹ ■ °C
Format du poids	<ul style="list-style-type: none"> ■ lb ■ kg
Volume du Signal	<ul style="list-style-type: none"> ■ 1 ■ 2 ■ 3 ■ 4 ■ 5
Touch Son	<ul style="list-style-type: none"> ■ Marche ■ Arrêt
Luminosité Écran	<ul style="list-style-type: none"> ■ 1 ■ 2 ■ 3 ■ 4 ■ 5
Dark mode	Activez le mode sombre pour un contraste amélioré. <ul style="list-style-type: none"> ■ Marche ■ Arrêt
Mode Veille	<ul style="list-style-type: none"> ■ Marche ■ Arrêt
Démarrage animation	<ul style="list-style-type: none"> ■ Marche ■ Arrêt
Conversion Convection	<ul style="list-style-type: none"> ■ Marche ■ Arrêt¹
Écart de Température	<ul style="list-style-type: none"> ■ Écart temp. : Supérieur (de -35 °F à +35 °F) (de -20 °C à +20 °C) ■ Écart temp. : Inférieur (de -35 °F à +35 °F) (de -20 °C à +20 °C)
Mode Sabbat	<ul style="list-style-type: none"> ■ Marche ■ Arrêt

¹ Réglages d'usine (peut varier selon l'appareil)

Réglage	Option
Home Connect	<ul style="list-style-type: none"> ■ Wi-Fi : Marche Arrêt ■ Télécommande Marche Arrêt ■ Déconnexion du réseau ■ Connexion à l'application ■ Affiche l'état du réseau ■ Accès au Service après-vente : Autoriser  Refuser
Mode Démo	Uniquement disponible dans le menu des réglages dans les 5 minutes suivant le raccordement de l'appareil à l'alimentation électrique. <ul style="list-style-type: none"> ■ Marche ■ Arrêt
Réglages d'Usine	Restauration
Service Après-vente	Coordonnées du Service après-vente

¹ Réglages d'usine (peut varier selon l'appareil)

10.2 Modification des réglages de base

1. Appuyez sur **ON I OFF**.
2. Appuyez sur **MENU**.
3. Balayez vers la gauche ou la droite sur la ligne supérieure pour sélectionner  "Paramètres".
4. Touchez "Continuer".
5. Faites glisser votre doigt vers la gauche ou la droite sur la ligne supérieure pour sélectionner le paramètre souhaité.
6. Faites glisser votre doigt vers la gauche ou la droite sur la ligne du bas pour sélectionner la valeur souhaitée.
7. Touchez (pour certains paramètres).
8. Appuyez sur **MENU**.
9. Touchez "Save".

10.3 Décalage de la température du four

Le four est calibré de manière à offrir des résultats précis. La fonction est utile si vous préférez des aliments plus ou moins dorés.

- Lorsqu'une valeur compensée est saisie, la température réelle du four est augmentée ou diminuée de cette valeur.
- Ne pas utiliser les thermomètres de cuisson résidentiels pour mesurer les températures du four, car elles fluctueront au gré de la cuisson.
- Vous pouvez définir un décalage de température par rapport à la ligne de base d'usine. Chaque fois que vous appelez l'option de décalage de température dans

le menu des paramètres de base, la température de référence d'usine est restaurée afin que vous puissiez définir une nouvelle valeur de décalage.

10.4 Conversion de convection automatique

Les modes de cuisson par convection et multi-grilles de convection nécessitent une réduction de 25 ° F de la température. La conversion automatique par convection réduit la température que vous entrez automatiquement.

- Entrer simplement la température de la recette ou indiquée sur l'emballage lors du réglage du mode. La commande calcule la bonne température et l'affiche à l'écran.

11 Fonctionnement du tiroir réchaud

Vous trouverez ici tout ce que vous devez savoir sur le fonctionnement de votre tiroir chauffant.

⚠ AVERTISSEMENT

Ne pas utiliser de papier aluminium ou de doublure de protection pour revêtir toute partie de l'appareil électroménager, et en particulier la sole du four. L'utilisation de ces doublures peut entraîner un risque de choc électrique ou d'incendie.

⚠ AVERTISSEMENT

Risque d'incendie

- ▶ NE PAS entreposer de matériaux inflammables dans le tiroir-réchaud. Cela comprend les articles en papier, en plastique ou en tissu, tels que les livres de cuisine et les serviettes, ainsi que les liquides inflammables.
- ▶ N'UTILISEZ PAS le tiroir-réchaud pour chauffer des serviettes.
- ▶ NE PAS stocker d'explosifs, tels que des bombes aérosols, dans ou à proximité du tiroir. Les matériaux inflammables peuvent exploser et provoquer un incendie ou des dommages matériels.

⚠ MISE EN GARDE

La nourriture peut se gâter lorsqu'elle est laissée sur place trop longtemps.

- ▶ Pour préserver la sécurité alimentaire, ne pas laisser les aliments dans le four plus d'une heure avant ou après leur cuisson.

AVIS :

Les contenants en plastique ou la pellicule de plastique peuvent fondre s'ils entrent en contact direct avec le tiroir ou un ustensile chaud. Si le plastique fond sur le tiroir, il peut ne pas être possible de l'enlever.

IMPORTANT :

- Utilisez UNIQUEMENT de la vaisselle résistante à la chaleur dans le tiroir-réchaud.
- Le tiroir-réchaud conserve les aliments cuits au chaud à la température de service. Toujours commencer par des aliments chauds. N'UTILISEZ PAS le tiroir-réchaud pour

réchauffer des aliments froids autres que des craquelins croustillants, des croustilles et des céréales sèches ou pour réchauffer des plats ou des assiettes.

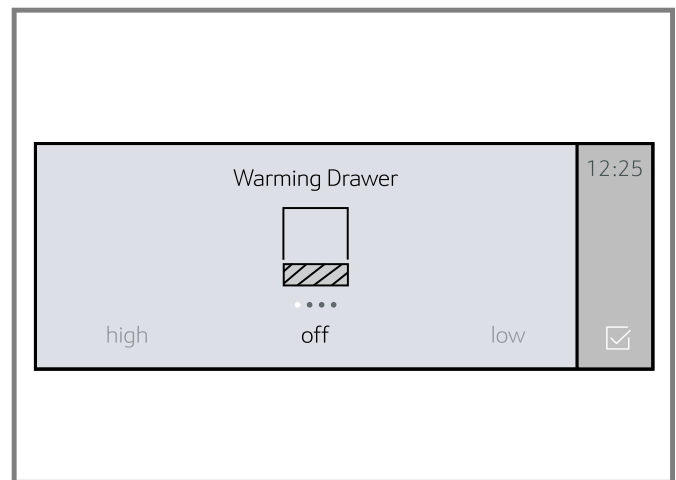
- Le tiroir chauffant s'éteindra automatiquement après 12 heures.

11.1 Allumer le tiroir réchaud

Les fours triples comprennent un tiroir chauffant commandé par le panneau de commandes du four. Ces appareils électroménagers comportent une touche tactile **DRAWER** au lieu de la touche tactile **LOCK**.

Exigence : Vous pouvez également utiliser le tiroir-réchaud lorsque le four est éteint.

1. Appuyez sur **DRAWER**.
2. Effleurez la ligne inférieure et glissez vers la gauche ou la droite pour sélectionner l'intensité souhaitée.



Réglages offerts :

- Élevé
- Moyen
- Faible
- Arrêt

3. Touchez .

- ✓ Le tiroir chauffant commence à chauffer. Si vous ne touchez pas , le tiroir-réchaud commence à chauffer automatiquement après un certain temps.
- ✓ L'icône du tiroir chauffant apparaît dans le coin supérieur gauche de l'écran aussi longtemps qu'il fonctionne.

11.2 Éteindre le tiroir réchaud

Exigence : Vous pouvez également utiliser le tiroir-réchaud lorsque le four est éteint.

1. Appuyez sur **DRAWER**.
2. Appuyez sur la ligne du bas, balayez vers la gauche ou la droite et sélectionnez "Off".
3. Touchez .

11.3 Tirer le meilleur parti de votre tiroir chauffant

Garder les aliments au chaud

- Vous pouvez laisser les aliments dans la batterie de cuisine dans laquelle ils ont été préparés. Vous pouvez également transférer les aliments dans un plat de service résistant à la chaleur avant de les placer dans le tiroir-réchaud. Il est possible de couvrir le plat de papier d'aluminium.

Réchauffer les assiettes et bols

- Placez les assiettes et les bols dans le tiroir-réchaud.
- Réglez le niveau de chaleur sur **HIGH**.
- Laissez les ustensiles de cuisine chauffer lentement pendant le préchauffage du tiroir-réchaud.

Remarque : NE placez PAS d'assiettes froides dans un tiroir-réchaud déjà chauffé. Placer un plat froid dans un environnement chaud peut provoquer une dilatation rapide du verre, ce qui peut entraîner la rupture de la batterie de cuisine.

- Utilisez des maniques pour retirer les plaques chauffantes après le chauffage.

Mettre croustillant des articles rassis

- Utilisez des maniques pour retirer les plaques chauffantes après le chauffage.
- Réglez le niveau de chaleur sur **LOW**.
- Préchauffez pendant 5 minutes, puis placez le plat dans le tiroir chauffant.
- Vérifier le croustillant après 45 minutes. Continuez à croustiller si nécessaire.

11.4 Recommandations concernant le tiroir-réchaud

Nourriture/ustensiles de cuisine	Niveau
Bacon ¹	high
Bœuf ¹ Mi-saignant	low
Bœuf ¹ Moyen - bien cuit	medium
Pain, rapide ^{1, 2} Petits pains durs, petits pains mous, gâteaux au café, biscuits, pains grillés	medium
Plats en casserole ^{1, 2}	medium
Céréales, cuites ^{1, 2}	medium
Mettre croustillant des articles rassis ¹	medium
Levée de pâte (fermentation) ²	low
Œufs ^{1, 2}	high
Aliments frits ¹	high
Sauce, sauces à la crème ^{1, 2}	medium

¹ Préchauffer les ustensiles de cuisine

² Couvrez la nourriture

Nourriture/ustensiles de cuisine	Niveau
Jambon, agneau, porc ^{1, 2}	medium
Tartes ¹	medium
Pizza ¹	high
Pommes de terre, au four ^{1, 2}	high
Pommes de terre, purée ^{1, 2}	medium
Volaille, rôtie ^{1, 2}	medium
Fruits de mer ^{1, 2}	medium
Légumes ^{1, 2}	medium
Gaufres, crêpes ¹	high
Assiettes	low
Plat de nourriture ^{1, 2}	medium

¹ Préchauffer les ustensiles de cuisine
² Couvrez la nourriture

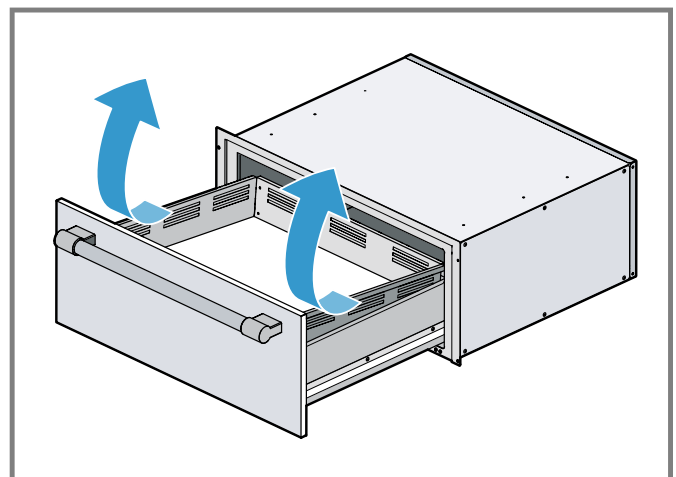
11.5 Retrait de l'insert du tiroir-réchaud

⚠ AVERTISSEMENT

Ne faites pas fonctionner le tiroir-réchaud sans l'insert. Les éléments chauffants deviennent très chauds et peuvent entraîner des blessures.

Remarque : La photo montre un modèle de tiroir chauffant avec poignée. Les garnitures individuelles peuvent être différentes selon le modèle de l'appareil électroménager.

- Ouvrir entièrement le tiroir.
- Saisissez le rebord de l'insert à mi-chemin de chaque côté du tiroir et soulevez-le d'environ 2 po (3 cm).
- Tout en tenant l'insert vers le haut, tourner la section avant vers le haut pour dégager l'avant à l'intérieur du tiroir.



- Sans l'insert, il est possible de nettoyer la base du tiroir au besoin. Prendre grand soin de ne pas endommager l'élément chauffant maintenant exposé. Il était sous l'insert du tiroir.

12 Home Connect®

Cet appareil peut être mis en réseau. Connectez votre appareil à un appareil mobile pour utiliser ses fonctions via l'appli Home Connect®, modifier ses réglages de base ou surveiller son état de fonctionnement.

Les Home Connect® ne sont pas proposés dans tous les pays. La disponibilité de la fonction Home Connect® de l'offre des services Home Connect® dans votre pays.

Vous trouverez de plus amples informations à ce sujet à l'adresse : www.home-connect.com.

L'application Home Connect® vous guide tout au long du processus de connexion. Suivez les étapes prescrites par l'application Home Connect® pour procéder aux réglages.

Conseils

- Pour ce faire, observez les documents Home Connect® fournis.
- Observez également les consignes dans l'application Home Connect®.

Remarques

- Observez les consignes de sécurité de la présente notice d'utilisation et assurez-vous qu'elles sont également respectées si vous utilisez l'appareil via l'application Home Connect®.
- Les commandes sur l'appareil même ont toujours priorité. Pendant ce temps, la commande via l'application Home Connect® n'est pas possible.
- En veille avec maintien de la connexion au réseau, l'appareil consomme au plus 2 W.

12.1 Configurer Home Connect®

Exigence

- L'appareil est déjà connecté au réseau électrique et est allumé.
- Vous disposez d'un terminal mobile doté de la version actuelle du système d'exploitation iOS ou Android, par ex. un smartphone.
- Le terminal mobile et l'appareil se trouvent à portée du signal WLAN de votre réseau domestique.

1. Télécharger l'appli Home Connect®.



2. Ouvrir l'appli Home Connect® et scanner le code QR suivant.



3. Suivre les instructions de l'application Home Connect®.

12.2 Home Connect® Réglages

Ajustez Home Connect® à vos besoins personnels. Vous trouverez les réglages Home Connect® dans les réglages de base de votre appareil. Les réglages qui s'affichent dépendent de la configuration de Home Connect® et de la connexion de l'appareil au réseau domestique.

12.3 Modification des paramètres via l'application Home Connect®

Vous pouvez utiliser l'application Home Connect® pour modifier les paramètres de l'appareil et les envoyer à l'appareil.

Prérequis pour utiliser le Home Connect® :

- L'appareil est connecté au réseau domestique et à l'application Home Connect®.
- Pour configurer l'appareil via l'application, Home Connect® doit être activé dans les réglages de base.
Activez Home Connect ON (Marche) dans les réglages de base du four.
- Le four doit être allumé.

12.4 Démarrage à distance

Vous devez activer le démarrage à distance pour lancer une commande de four avec l'appareil mobile.

⚠ AVERTISSEMENT

FONCTIONNEMENT À DISTANCE On peut configurer cet appareil électroménager pour le télécommander à tout moment.

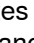

- ▶ Ne pas ranger de matières inflammables ou d'articles sensibles à la chaleur à l'intérieur, sur le dessus ou près de la surface de l'appareil.

Remarques

- Pour certains modèles, un démarrage à distance permanent peut être activé via l'application Home Connect®. Cette fonction permet un démarrage à distance des modes de fonctionnement disponibles sans désactiver automatiquement le démarrage à distance.
- Le démarrage à distance peut uniquement être activé après la réussite de la configuration de Home Connect®.

- Certains modes de fonctionnement se lancent uniquement sur le four.

Réglage du démarrage à distance

1. Appuyez sur **MENU**.
 2. Faites glisser pour sélectionner  "Démarrage à distance".
- ✓  s'affiche à l'écran.
 - ✓ Lorsque vous démarrez le fonctionnement du four sur l'appareil, le démarrage à distance est automatiquement activé. Vous pouvez apporter des modifications à partir de votre appareil mobile ou démarrer une nouvelle opération.


Remarque : S'il est réglé sur manuel pour le niveau de télécommande, **REMOTE START** doit être activé le jour où vous comptez l'utiliser. Ouvrir la porte du four après avoir activé **REMOTE START** le désactivera dans certaines circonstances. Si tel est le cas, appuyez sur **REMOTE START** pour le réactiver.

12.5 Réglage du contrôle à distance

Vous pouvez utiliser l'appli Home Connect® pour accéder facilement aux fonctions du four.

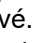
Remarques

- Vous pouvez sélectionner parmi trois préférences de télécommande différentes.
- Les commandes données directement depuis le four ont toujours préséance sur les autres. Au cours de cette période, il est impossible de faire fonctionner le four avec l'appli Home Connect®.
- La télécommande est déjà active à la connexion du four.
- Si elle a été désactivée, seul l'état du fonctionnement du four apparaîtra à l'appli Home Connect®.
- Le contrôle à distance est automatiquement activée lorsque le démarrage à distance est activé.

1. Appuyez sur **MENU**.
2. Balayez vers la gauche ou la droite sur la ligne supérieure pour sélectionner  "Paramètres".
3. Touchez "Continuer".
4. Faites glisser pour sélectionner "Home Connect".
5. Appuyez sur "Open settings".
6. Faites glisser pour sélectionner "Remote control".
7. Appuyez sur la ligne du bas et balayez pour sélectionner le paramètre souhaité.

Réglage	Fonction
Monitoring	Vous pouvez afficher l'état de votre appareil à distance, mais vous ne pouvez pas démarrer ou faire fonctionner votre appareil à distance.
Manual Remote Start	Vous pouvez démarrer et utiliser votre appareil à distance, mais vous devez appuyer sur le bouton de démarrage à distance de l'appareil avant de démarrer la première

Réglage	Fonction
	opération à distance et à nouveau après tout cas où la porte est ouverte. Ce sont les paramètres par défauts.
Permanent Remote Start	Vous pouvez démarrer et utiliser votre appareil à tout moment sans appuyer sur aucune touche tactile de votre appareil.
Arrêt	Aucune télécommande possible.

8. Toucher  pour revenir au menu "Home Connect".

12.6 Diagnostic à distance

Le service à la clientèle peut accéder à votre appareil via le diagnostic à distance si vous en faites la demande spécifique, si votre appareil est connecté au serveur Home Connect® et si le diagnostic à distance est disponible dans le pays où vous utilisez l'appareil.

Conseil : Pour plus d'informations et pour connaître la disponibilité du service de diagnostic à distance dans votre pays, veuillez consulter la section Service/Support du site Web local : www.home-connect.com.

12.7 Mise à jour logicielle

Le four vérifie à intervalles réguliers si des mises à jour sont disponibles pour le logiciel Home Connect®. Pour ce faire, vous devez être inscrit comme utilisateur Home Connect®, disposer de l'appli sur votre appareil mobile et avoir une connexion au serveur Home Connect®.

Dès l'offre d'une mise à jour, l'appli Home Connect® vous en avise. Vous pourrez aussi l'utiliser pour télécharger cette mise à jour. Une fois le téléchargement réussi, installez la mise à jour par les réglages de base du four ou l'appli Home Connect® si vous êtes sur le réseau domestique. L'appli Home Connect® vous avisera à la fin de l'installation.

Remarques

- Vous pouvez utiliser le four comme d'habitude au cours du téléchargement des mises à jour.
- Dans les réglages personnels de l'appli, il est également possible d'automatiser les téléchargements.
- Nous vous recommandons d'installer les mises à jour de sécurité dès que possible.

12.8 Protection des données

Observez les consignes de protection des données. Lors de la première connexion de votre appareil à un réseau domestique branché à Internet, votre appareil transmet les catégories de données suivantes au serveur Home Connect® (premier enregistrement) :

- Code d'appareil univoque (constitué de clés d'appareil ainsi que de l'adresse MAC du module de communication Wi-Fi intégré).
- Certificat de sécurité du module de communication Wi-Fi (pour la protection des informations de la connexion).

- La version actuelle du logiciel et du matériel de l'électroménager.
- État d'une précédente restauration éventuelle des réglages d'usine.

Ce premier enregistrement prépare l'utilisation des fonctions Home Connect® et ne s'avère nécessaire qu'au moment où vous voulez utiliser les fonctions Home Connect® pour la première fois.

Remarque : Veuillez noter que les fonctions Home Connect® ne sont utilisables qu'avec l'application Home Connect®. Vous pouvez consulter les informations sur la protection des données dans l'application Home Connect®.

13 Tirer le meilleur parti de l'électroménager

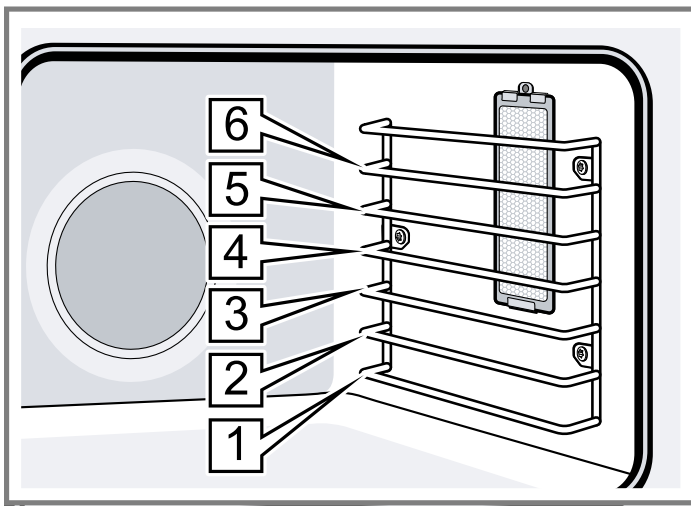
Vous trouverez ici des conseils sur la meilleure façon d'utiliser les modes de chauffage et les accessoires de votre four. Vous pouvez également trouver les réglages recommandés pour divers plats ainsi que les meilleurs accessoires et ustensiles de cuisine.

Téléchargez l'application Home Connect® (Amérique) pour accéder à des conseils et astuces de cuisine, ainsi que pour vous inspirer en cuisine.

13.1 Positions des grilles

Votre four a six positions de grille. Les positions de grille sont comptées de bas en haut.

Utiliser uniquement les positions de grille de 1 à 6. NE PAS tenter d'utiliser le dispositif de guidage supérieur pour soutenir une grille de four.



Grille position	Idéal pour
6	Faire griller des hamburgers et des steaks de 1 po (2,5 cm)

¹ Ces marques sont des marques déposées de leurs propriétaires respectifs. Toutes les autres marques sont des marques de BSH Home Appliances Corporation ou ses sociétés affiliées.

Grille position	Idéal pour
5	Griller des steaks de 1 ½ po (4 cm), griller la plupart des viandes, faire fondre du fromage
4	Viandes plus épaisses
3	Faire griller de la volaille, la plupart des produits de boulangerie sur une plaque à biscuits ou un plat de cuisson à l'aide d'une seule grille, y compris les plats cuisinés surgelés, les gâteaux, les ragoûts, les pizzas surgelées et les gâteaux Bundt® ¹
2	Petits rôtis ou volailles, tartes, pains
1	Gros rôtis, dinde, gâteau aux anges

¹ Ces marques sont des marques déposées de leurs propriétaires respectifs. Toutes les autres marques sont des marques de BSH Home Appliances Corporation ou ses sociétés affiliées.

Placement des grilles

Cuisson sur une seule grille	Placer la grille au milieu du four.
Cuisson sur deux grilles	Positionner les grilles en haut et en bas du four.
Cuisson à trois grilles	Espacez les positions de la grille de manière égale.

13.2 Obtenir les meilleurs résultats

- Minimisez l'ouverture des portes du four.
- Utilisez la position de grille recommandée par la recette.
- Utilisez les ustensiles de cuisson recommandés dans la recette.
- Rangez les poêles à l'extérieur du four. Une casserole supplémentaire sans nourriture affecte le brunissement et la cuisson.
- Le type de casserole utilisé affecte le brunissement.
 - Pour les croûtes tendres et dorées, utilisez des casseroles métalliques légères antiadhésives/anodisées ou brillantes.
 - Pour les croûtes croustillantes brunes, utilisez des casseroles métalliques antiadhésives foncées, anodisées ou foncées, ternes ou des ustensiles de cuisson en verre. Ceux-ci peuvent nécessiter d'abaisser la température de cuisson de 25 ° F.

Préchauffe du four

- La plupart des temps de cuisson dans les recettes sont conçus pour un four préchauffé et nécessitent que le four soit déjà à une certaine température avant le début de la cuisson. Reportez-vous à votre recette pour les recommandations de préchauffage.
- Le temps de préchauffage dépend du réglage de température et du nombre de grilles dans le four. Retirez les grilles de four inutilisées pour raccourcir le temps de préchauffage.

- Le préchauffage n'est pas nécessaire pour **ROAST** et **CONV ROAST**.

Type d'ustensiles de cuisson

- Des ustensiles de cuisson en métal avec ou sans finition antiadhésive, du verre résistant à la chaleur, de la vitrocéramique, de la poterie ou d'autres ustensiles conviennent au four.
- Les plaques à biscuits appropriées ont une petite lèvre d'un côté. Les feuilles épaisses ou celles avec plus d'un côté peuvent affecter le temps de cuisson.

Positionnement de plats de cuisson

- Laissez au moins 1 po (2,5 cm) d'espace entre les casseroles et les parois du four pour que la chaleur puisse circuler autour de chaque poêle.
- Décaler les ustensiles de cuisson de sorte que l'un ne soit pas directement au-dessus d'un autre. Laisser 1½ po (4 cm) au-dessus et au-dessous de chaque casserole.

Cuisson à haute altitude

À haute altitude, les recettes et les temps de cuisson peuvent varier. Pour des informations précises, consultez www.csuextstore.com ou écrivez au service d'extension, Colorado State University, Fort Collins, Colorado 80521. Des frais peuvent être exigés pour l'achat de ces guides de cuisson. Préciser le nom du guide de préparation culinaire à haute altitude que vous désirez : renseignements généraux, gâteaux, biscuits, pains, etc.

Condensation

Il est normal de voir une certaine quantité de vapeur d'eau s'échapper des aliments lors de la cuisson. La quantité dépend de la teneur en humidité de l'aliment. L'humidité se condensera sur toute surface plus froide que l'intérieur du four, comme le panneau de commande.

13.3 Conseils généraux pour les modes de chauffage

Comment utiliser le mode BAKE

Utilisez le mode **BAKE** pour préparer une variété d'aliments, des pâtisseries aux casseroles. Consultez les conseils de préparation de la recette ou de l'emballage pour connaître les températures et les temps de cuisson.

Remarque

- Préchauffez complètement le four avant de cuire des objets comme des gâteaux, des biscuits et du pain.
- **BAKE** est la meilleure fonction à utiliser pour cuire des gâteaux sur deux grilles.
- Laissez au moins 2 po (5 cm) d'espace entre les ustensiles de cuisson pour une bonne circulation de l'air.
- Les ustensiles de cuisson foncés ou ternes absorbent plus de chaleur que les ustensiles de cuisson brillants, ce qui donne des aliments brunis ou trop dorés. Il peut

être nécessaire de réduire la température du four ou le temps de cuisson pour éviter la coloration excessive de certains aliments.

- Des moules brillants sont recommandés pour les gâteaux, les biscuits et les muffins.
- N'ouvrez pas souvent la porte du four. L'ouverture de la porte réduira la température du four et peut augmenter le temps de cuisson.
- Pour les gâteaux, décalez les moules de manière à ce que l'un ne soit pas directement au-dessus de l'autre.

Comment utiliser le mode CONV BAKE

Utilisez le mode **CONV BAKE** pour les biscuits et les pains. Ce mode profite de la chaleur du fond, produisant une meilleure croûte sur les plats cuits.

Les avantages de la cuisson par convection incluent une légère diminution du temps de cuisson et un volume de pâte plus élevé, par exemple les levures augmentent plus avec ce mode.

Remarque

- Réduire la température du four indiquée dans la recette de 25 ° F (3,9 ° C).
- Mettez les aliments dans des moules peu profonds, non couverts, telles des plaques à biscuit sans rebords.
- Si plus d'un plat cuit sur une grille, laissez environ 1 à 1,5 po (2,5 à 4 cm) d'espace entre les plats.
- Laissez au moins 2 po (5 cm) d'espace entre les ustensiles de cuisson pour une bonne circulation de l'air.
- Pour les gâteaux, décalez les moules de manière à ce que l'un ne soit pas directement au-dessus de l'autre.

Comment utiliser le mode TRUE CONV

Utilisez la véritable convection pour cuire des aliments individuels tels que des biscuits. Il est également efficace pour la cuisson sur plusieurs grilles (2 ou 3) en même temps.

Les avantages de **TRUE CONV** incluent un brunissement uniforme et un gain de temps grâce à l'utilisation de plusieurs grilles à la fois.

Remarque

- La cuisson des biscuits peut se faire sur 6 grilles différentes simultanément. Dans ce cas, le temps de cuisson augmente légèrement.
- Réduisez la température de la recette de 25 ° F si la conversion automatique par convection n'est pas activée.
- Mettez les aliments dans des plats peu profonds, non couverts, telles des plaques à biscuit sans rebords.
- Si plus d'un plat cuit sur une grille, laissez environ 1 à 1,5 po (2,5 à 4 cm) d'espace entre les plats.
- Étagez les plats de manière à ce que l'un ne soit pas placé directement au-dessus de l'autre.

Comment utiliser le mode PIZZA

Remarque

Suivez ces recommandations :

- Il se peut qu'il ait une légère diminution du temps de cuisson. Vérifiez la durée minimale inscrite sur l'emballage.
- Lors de la cuisson d'une pizza surgelée : Pour une croûte croustillante, placez-la directement sur la grille. Pour obtenir une croûte plus molle, utilisez une plaque à pizza.
- Pour apprêter la pâte à pizza, badigeonnez celle-ci d'huile d'olive et mettez-la dans un saladier couvert hermétiquement d'un film plastique pour éviter qu'une croûte ne se forme à la surface.
- Si vous faites cuire à blanc une pâte à pizza faites à la main, piquez le fond avec une fourchette avant de la mettre au four.
- Si vous utilisez un moule à pizza, choisissez un moule foncé muni de trous pour obtenir une croûte plus croustillante et un moule non troué pour obtenir une croûte plus molle.
- Faites préchauffer les pierres à pizza au four en suivant les recommandations du fabricant pendant.
- Faites cuire les pizzas maison au centre de la grille et placez celles-ci en position 2.
- Pour les pizzas congelées, observez les recommandations du fabricant.
- Lors de l'utilisation du mode Pizza, le ventilateur à convection s'allume et s'éteint par intermittence.

Comment utiliser le mode ROAST

Utilisez le mode **ROAST** pour les grosses coupes de viande et de volaille.

Remarque

- Il n'est pas nécessaire de préchauffer le four.
- Utilisez un plat à rôtir ou une rôtissoire à grands rebords. Couvrir le plat avec un couvercle ou une feuille d'aluminium pour faire cuire les coupes de viande moins tendres.
- Pour les coupes de viande moins tendres, ajouter des liquides, tels de l'eau, du jus, du vin, du bouillon ou un fond pour parfumer et mouiller la viande.
- Les sacs à rôtir se prêtent bien à ce mode de cuisson de même que les couvercles.
- Pour faire rôtir un poulet entier ou une dinde entiers, replier les ailes en dessous et attacher les cuisses de manière lâche avec de la ficelle de cuisine.
- Lors de la cuisson de grosses viandes (par exemple, une dinde de plus de 10 lb), n'utilisez pas la position de grille la plus basse.

Comment utiliser le mode CONV ROAST

Utilisez le mode **CONV ROAST** pour préparer des morceaux de viande et de volaille tendres. Il convient également au rôtissage de légumes.

Les avantages du mode **CONV ROAST** incluent une cuisson jusqu'à 25 % plus rapide que les modes sans convection et un brunissement doré qui est riche.

Remarque

- Il n'est pas nécessaire de préchauffer le four.
- Utilisez la température exacte indiquée sur la recette.
- Vérifiez la cuisson au début car la durée de rôtissage peut être écourtée.
- Ne couvrez pas la viande. N'utilisez pas de sac brunisseur.
- Utilisez un plat à rôtir avec une grille, un lèche frite ou un plat peu profond, à découvert, doté d'une grille pour le rôtissage.
- Utilisez un thermomètre à viande pour déterminer la température interne de celle-ci.
- Si la viande est dorée à votre goût, mais n'est pas encore terminée, du papier d'aluminium peut être placé sur la viande pour éviter la coloration excessive.
- Une fois la viande sortie du four, la couvrir avec du papier d'aluminium et laisser reposer de 10 à 15 minutes.
- Lors de la cuisson de grosses viandes (par exemple, une dinde de plus de 10 lb), n'utilisez pas la position de grille la plus basse.

Comment utiliser le mode BROIL

Le mode **BROIL** utilise une chaleur intense rayonnée par l'élément supérieur. Utilisez ce mode pour cuire de fines coupes de viande tendres, 1 po (2,5 cm) ou moins, de la volaille et du poisson. On peut l'utiliser également pour faire griller le pain et gratiner les plats en casserole.

Remarque

- Faites toujours griller avec la porte du four fermée.
- Préchauffez le four pendant 3 à 4 minutes. Ne préchauffez pas plus de 5 minutes.
- Le steak et les côtelettes doivent avoir au moins 3/4 po (2 cm) d'épaisseur.
- Pour le rôtissage, utiliser un plat à rôtir et une lèche frite ou un plat profond doté d'une plaque-gril en métal.
- Ne recouvrez pas la grille avec du papier d'aluminium. Elle est conçue pour évacuer les graisses et les huiles de la surface de cuisson afin d'éviter la fumée et les éclaboussures.
- Retournez les viandes une fois pendant le temps de cuisson recommandé. Le poisson n'a pas besoin d'être retourné.
- Pour faire gratiner les plats en casserole, utiliser uniquement des plats en métal ou en céramique de verre tels que Corningware®.
- N'utilisez jamais de verre résistant à la chaleur, comme le Pyrex®; il ne peut pas tolérer la température élevée.

Comment utiliser le mode CONV BROIL

Utilisez le mode **CONV BROIL** pour cuire des coupes tendres de viande, de volaille et de poisson. Ce mode n'est pas recommandé pour le brunissage des pains, des plats en casserole et d'autres aliments.

Outre les avantages de la cuisson au gril normale, le mode Gril Convection est plus rapide.

Remarque

- Utilisez toujours le gril à convection avec la porte du four fermée.

- Préchauffez le four pendant 3 à 4 minutes. Ne préchauffez pas plus de 5 minutes.
- Le steak et les côtelettes doivent avoir au moins 1 1/2 po (4 cm) d'épaisseur.
- Pour le rôtissage, utiliser un plat à rôtir et une lèchefrite ou un plat profond doté d'une plaque-gril en métal.
- Ne recouvrez pas la grille avec du papier d'aluminium. Elle est conçue pour évacuer les graisses et les huiles de la surface de cuisson afin d'éviter la fumée et les éclaboussures.
- Retournez les viandes une fois pendant le temps de cuisson recommandé. Le poisson n'a pas besoin d'être retourné.
- N'utilisez jamais de verre résistant à la chaleur, comme le Pyrex®; il ne peut pas tolérer la température élevée.

Comment utiliser le mode PROOF

Utilisez le mode **PROOF** pour lever la pâte à levure.

Remarque

- Commencez avec un four froid lorsque vous utilisez ce mode.
- Laissez d'abord décongeler la pâte congelée.
- La température idéale pour la fermentation sera maintenue jusqu'à ce que le mode soit désactivé. La pâte a fait ses preuves lorsqu'elle a doublé de volume.
- Couvrez sans serrer le bol ou l'ustensile de cuisson et utilisez une grille adaptée à la taille du contenant.
- Laissez la porte fermée et utilisez l'éclairage du four pour vérifier la levée de la pâte.

Taille	Durée en minute
Miche, 1 lb (4,5 kg)	60 - 75
Roulades, 0,1 lb (50 g)	30 - 45

Comment utiliser le mode WARM

Utilisez le mode **WARM** pour conserver les aliments chauds et cuits à la température de service.

MISE EN GARDE

Les aliments peuvent se gâter lorsqu'ils sont gardés au chaud trop longtemps.

- ▶ N'utilisez pas le mode maintenir au chaud pour chauffer des aliments froids.
- ▶ Veillez à garder la nourriture à la bonne température. L'USDA recommande de maintenir les aliments chauds à 140 ° F (60 ° C) ou plus.
- ▶ NE PAS maintenir des aliments au chaud pendant plus d'une heure.

Remarque

- Commencez TOUJOURS par des plats chauds. N'UTILISEZ PAS ce mode pour chauffer des aliments froids autres que des craquelins, des croustilles et des céréales sèches.
- Dans ce mode, il est possible de maintenir au chaud les plats préparés, les assiettes et les tasses.
- Protéger les aliments devant rester humides avec un couvercle ou du papier d'aluminium.

- Il est possible de couvrir le plat de papier d'aluminium. N'utiliser que de la vaisselle résistante à la chaleur.
- N'ouvrez PAS la porte du four inutilement. Vous réduirez ainsi la température du four.
- Pour maintenir les aliments cuits au chaud, laissez le temps au four de préchauffer avant d'enfourner les plats.

14 Nettoyage et entretien

Pour que votre appareil reste longtemps opérationnel, nettoyez-le et entretenez-le avec soin.

Pour plus de recommandations de nettoyage et de conseils pour tirer le meilleur parti de votre appareil, consultez le site Web :

- États-Unis : www.thermador.com/us/support/customer-care
- Canada : <https://www.thermador.ca/fr/soutien/assistance-a-la-clientele>

AVERTISSEMENT

Ne pas nettoyer l'appareil pendant qu'il est encore chaud. Certains nettoyeurs produisent des émanations toxiques lorsqu'ils sont appliqués sur une surface chaude. Les vêtements et les éponges mouillés peuvent provoquer des brûlures causées par la vapeur.

- Pour les clients aux États-Unis : Vous pouvez acheter des nettoyeurs appropriés auprès du service à la clientèle ou dans notre boutique en ligne www.thermador.com/us/accessories.
- Pour les clients au Canada : Visitez cette page Web pour savoir comment acheter des nettoyeurs pour votre appareil, <https://www.thermador.ca/fr/soutien/filtres-nettoyeurs-accessoires>.

14.1 Produits de nettoyage

Utilisez uniquement des produits de nettoyage appropriés pour éviter d'endommager les surfaces de l'appareil.

Noms de marques

- L'utilisation de noms de marque vise uniquement à indiquer un type de nettoyeur. Cela ne constitue pas une approbation.
- L'omission d'un nettoyeur de marque n'implique pas son adéquation ou son insuffisance.
- De nombreux produits sont de distribution régionale et peuvent être trouvés sur les marchés locaux.
- Il est impératif que tous les produits de nettoyage soient utilisés en stricte conformité avec les instructions sur son emballage.

Éviter ces produits de nettoyage

Ne pas utiliser les produits de nettoyage commerciaux tels que Easy Off®¹. Ils risquent d'abîmer le fini ou les pièces du four. Le chlore ou les composés chlorés de certains nettoyants sont corrosif pour l'acier inoxydable. Vérifier les ingrédients sur l'étiquette. Ne jamais utiliser des tampons à récurer ou des produits de nettoyage abrasifs.

⚠ AVERTISSEMENT

Assurez-vous que tout l'appareil (y compris l'ampoule) a refroidi et que la graisse s'est solidifiée avant d'essayer de nettoyer une partie de l'appareil.

⚠ AVERTISSEMENT

Pour éviter tout risque d'électrocution, N'UTILISEZ PAS de nettoyeur haute pression ou de nettoyer à vapeur pour nettoyer l'appareil. L'humidité qui pénètre peut occasionner une électrocution.

14.2 Nettoyage du four conventionnel

Vous trouverez ici des informations sur le nettoyage de la cavité du four conventionnel.

Fonction autonettoyante

Avec l'autonettoyage pyrolytique, le four est chauffé à une température très élevée. La saleté tenace est brûlée et peut être essuyée une fois l'auto-nettoyage terminé et le four refroidi.

Après la fin d'un cycle d'autonettoyage, le four ne vous permettra pas de démarrer un autre cycle d'autonettoyage pendant 24 heures.

Pour un four double, si une cavité fonctionne en autonettoyage, aucune d'entre elles ne peut exécuter un cycle d'autonettoyage pendant 24 heures.

Préparation de l'autonettoyage

⚠ AVERTISSEMENT

Lors de l'élimination des salissures lors de l'autonettoyage, de petites quantités de monoxyde de carbone peuvent être créées et l'isolant en fibre de verre peut dégager de très petites quantités de formaldéhyde au cours des premiers cycles de nettoyage.

- ▶ Pour minimiser l'exposition à ces substances, s'assurez d'avoir une bonne ventilation en laissant une fenêtre ouverte, ou utiliser un ventilateur ou une hotte d'aération.

Pendant le cycle d'autonettoyage, certaines parties de l'appareil peuvent devenir potentiellement dangereuses pour les personnes qui ne connaissent pas les appareils et les réactions des adultes à des conditions potentiellement dangereuses.

- ▶ Ne pas laisser les enfants seuls ou sans surveillance lorsque l'appareil est en cours d'utilisation.

Le four chauffe à très haute température pendant l'autonettoyage. L'ouverture de la porte peut entraîner des blessures.

- ▶ Lors de l'autonettoyage, vérifier que la porte est verrouillée et ne s'ouvre pas.
- ▶ Si la porte de ne se verrouille pas, ne pas lancer le Nettoyage Auto. Communiquez avec le service après-vente.

⚠ MISE EN GARDE

Retirez les poêles à griller, les casseroles et autres ustensiles et tout déversement excessif avant l'autonettoyage.

Ne laissez pas de nourriture ou d'ustensiles de cuisine, etc., dans le four pendant le mode de fonctionnement autonettoyant pyrolytique.

⚠ MISE EN GARDE

Les événements du four sont importants pour la circulation de l'air. Couvrir les événements du four entraînera une surchauffe du four. Reportez-vous à l'aperçu de l'appareil pour connaître l'emplacement des événements du four.

→ "Composants de la cavité du four", Page 54

- ▶ N'obstruez pas les événements du four.



AVIS :

Ne nettoyez pas les pièces ou les accessoires avec la fonction d'autonettoyage.

1. Retirez tous les accessoires, grilles et guides de grille du four.
2. Essuyez tout déversement excessif de la cavité du four.

Démarrage de l'autonettoyage

Exigence : Vous avez effectué les étapes pour la préparation du four pour l'autonettoyage → Page 80.

1. Sélectionnez la cavité inférieure du four .
2. Appuyez sur **MENU**.
3. Faites glisser pour sélectionner "Nettoyage Auto" .
4. Sélectionnez une intensité de nettoyage en fonction de la quantité de saleté.

Niveau de puissance	Durée (exclut la période de refroidissement)
élevée	3 heures
medium (moyenne)	2½ heures
faible	2 heures

5. Touchez "Continuer".
6. Appuyez sur **START | STOP**.
 - ✓ La porte du four se verrouille automatiquement.
 - ✓ Lorsque l'autonettoyage est terminé, un signal retentit et l'appareil s'éteint.
 - ✓ La porte reste verrouillée jusqu'à ce que l'appareil refroidisse.

¹ Ces marques sont des marques déposées de leurs propriétaires respectifs. Toutes les autres marques sont des marques de BSH Home Appliances Corporation ou ses sociétés affiliées.

7. Essuyez les cendres restantes du four avec un chiffon humide.

Remarque : Une fois le cycle d'autonettoyage terminé, l'appareil ne vous permettra pas de démarrer un autre cycle d'autonettoyage pendant 24 heures.

Nettoyage facile

Cette fonction facilite le nettoyage du fond de la cavité du four. La nourriture et les éclaboussures de nourriture sont trempées et peuvent ensuite être éliminées plus facilement.

Réglage facile à nettoyer pour le four conventionnel


MISE EN GARDE

De l'eau dans la cavité du four chaude peut générer de la vapeur chaude.

- ▶ Ne jamais verser d'eau dans la cavité d'un four chaud.

Remarque : N'ouvrez pas la porte de l'appareil pendant le fonctionnement, sinon la fonction sera interrompue.

Exigence : La cavité du four s'est refroidie.

1. Placez la grille au niveau 3. Retirez toutes les autres grilles et accessoires de la cavité du four.
2. Mélangez 2 tasses d'eau et ½ tasse de vinaigre dans le lèche-frite et placez-le sur la grille.
3. Appuyez sur **ON I OFF**.
4. Sélectionnez la cavité inférieure du four.
5. Appuyez sur **MENU**.
6. Faites glisser pour sélectionner "Nettoyage facile" .
7. Effleurez la ligne inférieure de l'écran.

8. Appuyez sur **START I STOP**.

✓ Le temps de nettoyage est décompté sur l'écran.

9. Suivez les étapes du nettoyage ultérieur.

Nettoyage ultérieur de la cavité du four après la fonction de nettoyage

Nettoyez la cavité du four manuellement dès qu'elle s'est refroidie après la fonction de nettoyage.

AVIS :

L'humidité dans la cavité du four peut endommager les surfaces.

- ▶ Retirez rapidement l'eau restante de la cavité du four.
 - ▶ Ne laissez pas l'eau restante dans la cavité du four pendant une longue période, par exemple pendant la nuit.
 - ▶ N'utilisez pas l'appareil lorsque la cavité du four est encore mouillée ou humide.
1. Ouvrez la porte de l'appareil électroménager et retirez l'eau restante avec un chiffon absorbant.
 2. Nettoyez les surfaces lisses de la cavité du four avec un torchon à vaisselle ou une brosse à soies douces. Les résidus tenaces peuvent être éliminés avec un tampon à récurer doux.
 3. Éliminez le calcaire avec un chiffon imbibé de vinaigre et essuyez-le avec de l'eau propre. Frottez la cavité du four avec un chiffon doux ; sécher également sous le joint de porte.
 4. Éteignez l'appareil.
 5. Laissez la porte de l'appareil entrouverte en position d'arrêt (environ 30°) pendant environ une heure pour permettre aux surfaces en émail dans la cavité du four de sécher complètement.

Recommandations en matière de nettoyage

Nettoyez uniquement les parties de votre four répertoriées dans ce tableau de nettoyage.

Pièce	Méthode de nettoyage appropriée	Recommandations
Support plat	<ul style="list-style-type: none"> ■ Laver à l'eau savonneuse. ■ Rincez à fond et séchez ou frottez doucement avec une poudre de nettoyage ou des tampons savonneux selon les instructions. 	<ul style="list-style-type: none"> ■ NE PAS NETTOYER À L'AIDE DE LA FONCTION D'AUTONETTOYAGE. ■ Si les grilles plates restent dans le four pendant le mode d'autonettoyage, elles perdront leur finition brillante et pourraient ne pas glisser en douceur. Si cela se produit, frotter les bords de la grille avec un peu d'huile végétale. Essuyez ensuite l'excès d'huile.
Grille télescopique	<ul style="list-style-type: none"> ■ Laver à l'eau savonneuse. ■ Rincez à fond et séchez ou frottez doucement avec une poudre de nettoyage ou des tampons savonneux selon les instructions. 	<ul style="list-style-type: none"> ■ NE PAS NETTOYER À L'AIDE DE LA FONCTION D'AUTONETTOYAGE. ■ Évitez d'insérer de la poudre de nettoyage dans les rails télescopiques. Il peut s'avérer nécessaire de lubrifier de nouveau les glissières. Utilisez uniquement des lubrifiants pour haute température de qualité alimentaire pour les lubrifier.

¹ Ces marques sont des marques déposées de leurs propriétaires respectifs. Toutes les autres marques sont des marques de BSH Home Appliances Corporation ou ses sociétés affiliées.

Pièce	Méthode de nettoyage appropriée	Recommandations
Joint d'étanchéité de porte	<ul style="list-style-type: none"> ▪ Aucun 	<ul style="list-style-type: none"> ▪ NE PAS NETTOYER LE JOINT DE PORTE. ▪ Le joint de la porte est essentiel pour maintenir une bonne étanchéité. Veillez à ne pas frotter, endommager ou déplacer le joint.
Verre	<ul style="list-style-type: none"> ▪ Laver avec de l'eau et du savon ou avec un nettoyant pour vitres. ▪ Utilisez Fantastik®¹ sur une éponge ou une serviette en papier propre et essuyez. 	<ul style="list-style-type: none"> ▪ Évitez d'utiliser des produits de nettoyage en poudre, des tampons de laine d'acier et des nettoyants pour fours.
Surfaces peintes	<ul style="list-style-type: none"> ▪ Nettoyer avec de l'eau savonneuse chaude ou appliquer Fantastik®¹ sur une éponge ou une serviette en papier propre et essuyer. 	<ul style="list-style-type: none"> ▪ Évitez d'utiliser des produits de nettoyage en poudre, des tampons de laine d'acier et des nettoyants pour fours.
Surfaces en porcelaine	<ul style="list-style-type: none"> ▪ Essuyer immédiatement les déversements acides comme le jus de fruits, le lait et les tomates avec un chiffon sec. ▪ Une fois refroidi, nettoyez avec de l'eau chaude savonneuse ou appliquez le nettoyant Bon-Ami®¹ ou Soft Scrub®¹ sur une éponge humide. Rincez et séchez. ▪ Pour les taches tenaces, utiliser des tampons savonneux. 	<ul style="list-style-type: none"> ▪ N'utilisez pas d'éponge ou de chiffon humide sur la porcelaine chaude. Il est normal que la porcelaine présente de fines ridules avec l'âge en raison de l'exposition à la chaleur et au sol alimentaire.
Émail résistant à la chaleur et composants polis dans la cavité du four	<ul style="list-style-type: none"> ▪ Utilisez la fonction autonettoyante pour les salissures importantes. 	<ul style="list-style-type: none"> ▪ Ces surfaces peuvent se décolorer avec le temps. Cela est normal et n'a aucune incidence sur le fonctionnement. ▪ Ne pas utiliser des tampons à récurer ou des produits de nettoyage abrasifs pour tenter d'éliminer les décolorations.
Surfaces en acier inoxydable	<ul style="list-style-type: none"> ▪ Nettoyez avec de l'eau savonneuse et un chiffon doux, puis rincez et séchez avec un chiffon doux. ▪ Conditionner l'acier avec le conditionneur pour acier inoxydable Thermador (pièce n° 00576697). ▪ Retirer les traces d'eau avec un chiffon humecté de vinaigre blanc. ▪ Éliminez la décoloration due à la chaleur avec Bar Keeper's Friend®¹. 	<ul style="list-style-type: none"> ▪ Ne laissez jamais de taches alimentaires ou du sel sur de l'acier inoxydable, peu importe la durée de temps. ▪ Essuyez ou frottez toujours dans la direction du grain. ▪ Le chlore ou les composés chlorés de certains nettoyants sont corrosifs pour l'acier inoxydable. Vérifiez les ingrédients sur l'étiquette du nettoyant.
Plastique et contrôles	<ul style="list-style-type: none"> ▪ Lorsqu'il est refroidi, nettoyez à l'eau savonneuse puis rincez et séchez. 	
Sonde thermométrique	<ul style="list-style-type: none"> ▪ Essuyez à l'eau savonneuse. 	<ul style="list-style-type: none"> ▪ Ne plongez pas dans l'eau. ▪ Ne lavez pas au lave-vaisselle.

¹ Ces marques sont des marques déposées de leurs propriétaires respectifs. Toutes les autres marques sont des marques de BSH Home Appliances Corporation ou ses sociétés affiliées.

Pièce	Méthode de nettoyage appropriée	Recommandations
Broche de rôtisserie	<ul style="list-style-type: none"> Nettoyer avec de l'eau savonneuse et un torchon ou une brosse. 	<ul style="list-style-type: none"> Ne trempez pas et ne nettoyez pas l'entraînement de la broche de rôtisserie dans le lave-vaisselle.
Zones imprimées (mots et chiffres)		<ul style="list-style-type: none"> N'utilisez pas de nettoyeurs abrasifs ou de solvants à base de pétrole.

¹ Ces marques sont des marques déposées de leurs propriétaires respectifs. Toutes les autres marques sont des marques de BSH Home Appliances Corporation ou ses sociétés affiliées.

14.3 Nettoyer le tiroir réchaud

Pièce	Méthode de nettoyage appropriée	Recommandations
Intérieur du tiroir chauffant	<ul style="list-style-type: none"> Laver à l'eau savonneuse. Rincez à fond et séchez. Pour les taches de calcaire ou de tartre, utiliser du vinaigre blanc. Appliquer avec une éponge ou un chiffon, rincer et sécher. 	<ul style="list-style-type: none"> Le chlore ou les composés chlorés de certains nettoyeurs sont corrosif pour l'acier inoxydable. Vérifier les ingrédients sur l'étiquette. Vous pouvez retirer l'insert du tiroir-réchaud pour un nettoyage plus facile. → "Retrait de l'insert du tiroir-réchaud", Page 73

14.4 Entretien

Remplacement d'une ampoule de four conventionnelle

Lorsque la lumière du four conventionnelle tombe en panne, vous pouvez remplacer l'ampoule.

⚠ AVERTISSEMENT

La prise d'éclairage est sous tension lorsque la porte est ouverte si l'alimentation principale n'est pas coupée.

- ▶ Coupez l'alimentation électrique principale sur le panneau de service avant de changer les ampoules.

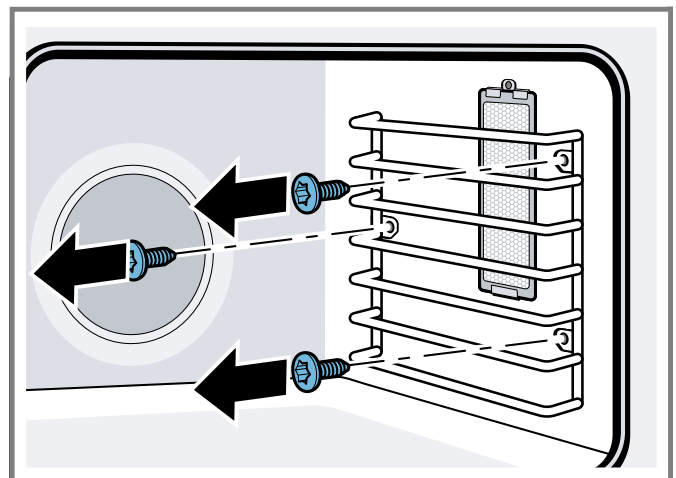
⚠ AVERTISSEMENT

S'assurer que l'appareil et l'éclairage sont froids et veiller à couper l'alimentation électrique de l'appareil avant de remplacer la ou les ampoules. Le non-respect de cette précaution pourrait entraîner un choc électrique ou des brûlures.

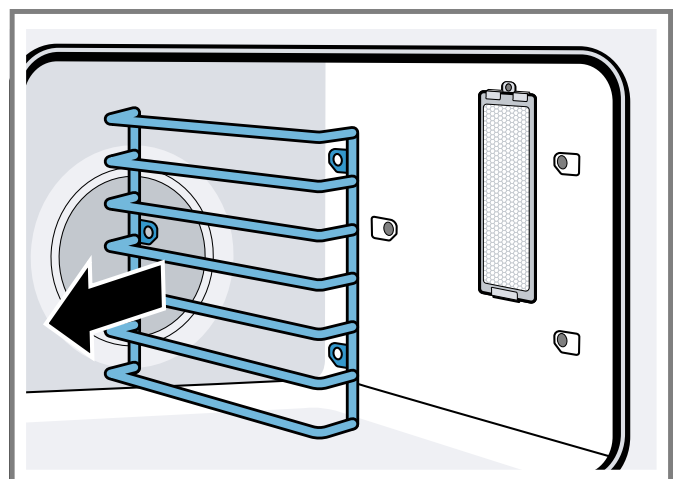
- ▶ Les lentilles doivent être en place lors de l'utilisation de l'appareil.
- ▶ Les lentilles servent à protéger l'ampoule de la rupture.
- ▶ Les lentilles sont en verre. Manipulez les lentilles avec précaution pour éviter de les endommager. Les éclats de verre peuvent entraîner une blessure.

1. Coupez l'alimentation du four au niveau de l'alimentation principale du fusible ou du disjoncteur.

2. Retirez les 3 vis qui maintiennent les rails du four en place.

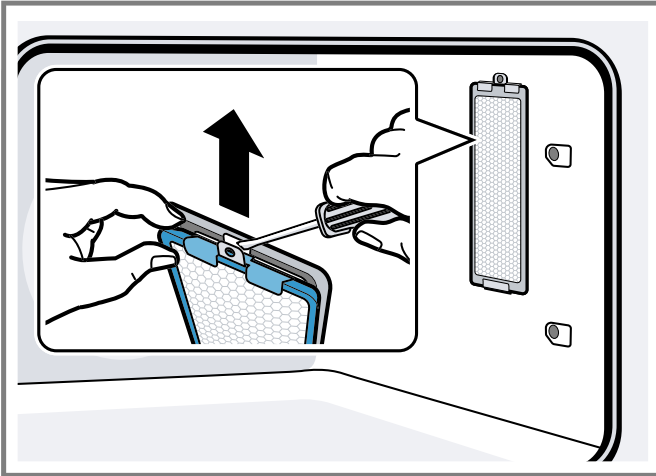


3. Détachez les rails du four pour accéder au boîtier de l'ampoule.



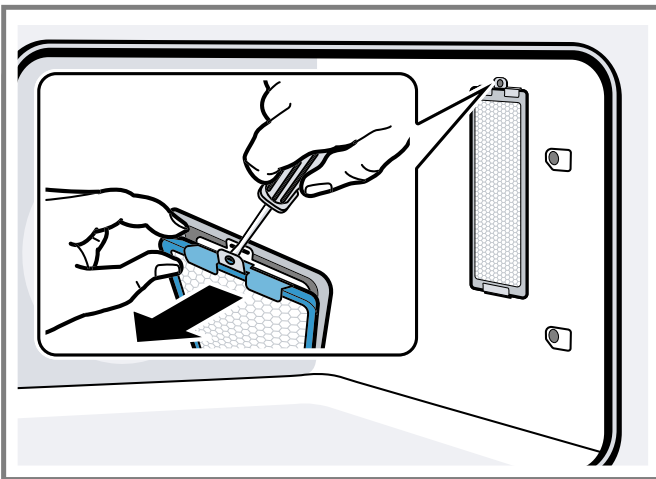
4. Retirez la vis du haut du boîtier de l'ampoule.

5. Insérez l'extrémité du tournevis à lame plate étroite à un angle de 40 degrés entre les clips de métal.

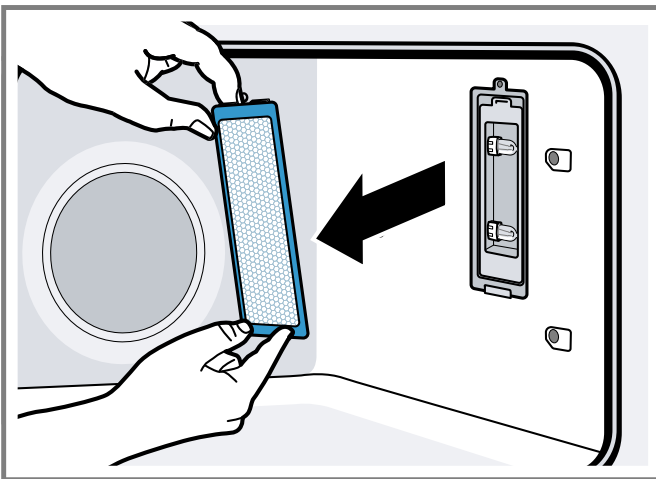


La lame du tournevis doit être en mesure de passer entre les clips de métal pour atteindre le loquet interne.

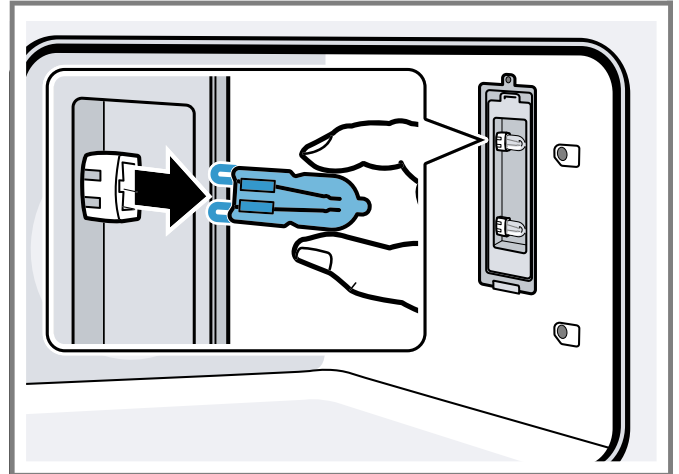
6. Enfoncez la lame du tournevis pour dégager loquet de la fente dans le boîtier de l'ampoule. Soulever délicatement la lentille en éloignant la poignée du tournevis de la paroi du four.



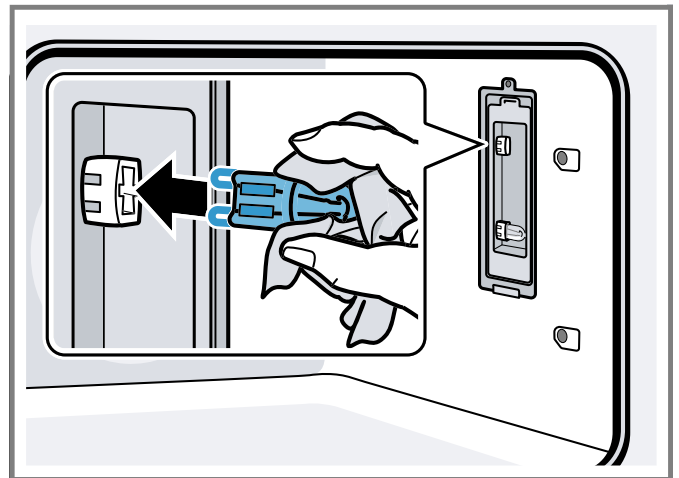
7. Maintenez le couvercle de la lentille en verre avec les deux mains pour empêcher le couvercle de tomber au fond du four. La lentille doit se détacher facilement. Ne essayez pas de le décoller de force.



8. Retirez l'ampoule en saisissant et en faisant glisser l'ampoule vers l'arrière jusqu'à ce que les deux broches aient dégagé le support en céramique.



9. NE touchez PAS au verre de la nouvelle ampoule de remplacement avec les doigts. Cela pourrait provoquer la défaillance de l'ampoule lorsqu'elle s'allume pour la première fois. Saisissez l'ampoule de remplacement avec un chiffon propre et sec. Repérez les deux tiges dans le support de céramique, en tâtant légèrement jusqu'à ce que les deux tiges s'insèrent dans la douille céramique.



10. Appuyez pour asseoir l'ampoule.
11. Remettez le couvercle de la lentille en place en l'insérant sur les brides de fixation. Appuyez sur l'extrémité la plus proche de vous pour l'enfoncer sur le boîtier jusqu'à ce que le couvercle s'enclenche. Insérez la vis dans le couvercle de la lentille en verre et serrez.
12. Réinstallez les rails du four.
13. Allumez le disjoncteur.

15 Dépannage


Vous pouvez éliminer vous-même les défauts mineurs de votre appareil. Veuillez lire les informations de dépannage avant de contacter le service à la clientèle. Cela peut éviter des frais de visite inutiles.


AVERTISSEMENT

Des réparations mal exécutées sont dangereuses.

- ▶ Seuls les prestataires de services agréés doivent réparer l'appareil.

- ▶ Afin d'écartier tout danger, quand le cordon d'alimentation de cet appareil est endommagé, seul le fabricant, son service à la clientèle ou toute autre personne de qualification équivalente est habilité à le faire.
- ▶ Seules des pièces de rechange d'origine peuvent être utilisées pour réparer l'appareil.
- ▶ Si l'appareil a un problème, appelez le service client.

Défaut	Cause et dépannage
La porte du four est verrouillée et refuse de s'ouvrir, même après le refroidissement. Le symbole de serrure de porte  s'allume.	La serrure de porte est enclenchée <ol style="list-style-type: none"> 1. Mettre le four hors circuit au disjoncteur et attendre cinq minutes. 2. Remettre le disjoncteur en circuit. <ul style="list-style-type: none"> ✓ Le four devrait se réinitialiser et être fonctionnel.
Le four ne chauffe pas	Il n'y a pas d'alimentation électrique à l'appareil <ol style="list-style-type: none"> 1. Vérifier le disjoncteur ou le boîtier à fusibles de la résidence. 2. S'assurer que l'alimentation électrique du four est adéquate. <hr/> Il n'y a pas de température de cuisson réglée <ul style="list-style-type: none"> ▶ Réglez une température de mode de chauffage.
Les résultats de cuisson ne sont pas satisfaisants	La position de la grille n'est pas idéale <ul style="list-style-type: none"> ▶ Reportez-vous aux conseils et suggestions d'utilisation de l'appareil.
La durée de cuisson des aliments est plus longue que prévue	La température du four doit être recalibrée Remarque : Le four est soigneusement étalonné de manière à offrir des résultats précis. <ul style="list-style-type: none"> ▶ Si la nourriture est toujours trop brune ou trop claire, la température peut être décalée. → "Décalage de la température du four", Page 71
Les aliments sont trop cuits	La température du four doit être recalibrée Remarque : Le four est soigneusement étalonné de manière à offrir des résultats précis. <ul style="list-style-type: none"> ▶ Si la nourriture est toujours trop brune ou trop claire, la température peut être décalée. → "Décalage de la température du four", Page 71
L'éclairage du four fonctionne mal	L'ampoule du four est desserrée ou brûlée <ul style="list-style-type: none"> ▶ Remplacez ou réinsérez l'ampoule. Conseil : Toucher l'ampoule avec les doigts peut la faire griller.
L'éclairage refuse de s'éteindre	La porte du four ne se ferme pas correctement <ol style="list-style-type: none"> 1. Vérifiez que la porte du four n'est pas obstruée. 2. Vérifiez si la charnière est pliée. <hr/> La lumière du four est allumée <ul style="list-style-type: none"> ▶ Appuyez sur le bouton d'éclairage du four pour éteindre l'éclairage du four.
Impossible de retirer le couvercle de la lentille sur la lumière de la cavité	Il y a une accumulation de saleté autour du couvercle de l'objectif <ol style="list-style-type: none"> 1. Laissez refroidir la cavité du four. 2. Essayez la zone du couvercle de la lentille avec une serviette propre et sèche, puis essayez de retirer le couvercle de la lentille.

Défaut	Cause et dépannage
La fonctionnalité d'autonettoyage du four ne fonctionne pas correctement	Le four est trop chaud pour démarrer l'autonettoyage <ol style="list-style-type: none"> 1. Laissez le four refroidir avant de lancer l'autonettoyage. 2. Essuyez toujours les saletés libres ou les déversements importants avant de procéder à un autonettoyage. 3. Si le four est très sale, réglez la durée maximale d'autonettoyage.
L'horloge et la minuterie fonctionnent mal	Il n'y a pas d'alimentation électrique à l'appareil <ol style="list-style-type: none"> 1. Vérifier le disjoncteur ou le boîtier à fusibles de la résidence. 2. S'assurer que l'alimentation électrique du four est adéquate.
« E » et un numéro s'affichent à l'écran et la commande émet un signal sonore	Une panne électronique s'est produite <ol style="list-style-type: none"> 1. Appuyez sur TIMERS pour arrêter le bip. 2. Réinitialisez le four si nécessaire. 3. Appelez un fournisseur de services agréé.
Une forte odeur se dégage du four neuf lorsqu'il est mis sous tension	Cela est normal pour un four neuf et l'odeur disparaîtra après quelques utilisations <ul style="list-style-type: none"> ▶ Utilisez le mode autonettoyant pour brûler l'odeur plus rapidement.
Le panneau de commande ne répond pas lorsqu'une touche est activée	Le contrôle est mouillé ou sale <ul style="list-style-type: none"> ▶ Nettoyez le panneau de commande et essuyez-le. Les touches tactiles ne sont pas correctement enfoncées <ol style="list-style-type: none"> 1. Appuyez au centre du bouton. 2. Utiliser le plat du doigt.
De l'air chaud ou de la vapeur s'échappent de l'évent du four	Il est normal de voir ou de sentir de la vapeur ou de l'air chaud s'échapper de l'évent du four  MISE EN GARDE Les événements du four sont importants pour la circulation de l'air. Couvrir les événements du four entraînera une surchauffe du four. Reportez-vous à l'aperçu de l'appareil pour connaître l'emplacement des événements du four. → <i>"Composants de la cavité du four"</i> , Page 54 <ul style="list-style-type: none"> ▶ N'obstruez pas les événements du four.
Le ventilateur de refroidissement fonctionne même si le four est éteint	Le ventilateur de refroidissement peut encore fonctionner, même après avoir éteint le four, jusqu'au refroidissement suffisant du four <ul style="list-style-type: none"> ▶ Cela est normal. Aucune action n'est requise.

16 Élimination

16.1 Éliminer un appareil usagé

L'élimination dans le respect de l'environnement permet de récupérer de précieuses matières premières.

- ▶ Éliminez l'appareil dans le respect de l'environnement.
Pour connaître les circuits d'élimination actuels, veuillez vous adresser à votre revendeur ou à votre administration municipale.

17 Service à la clientèle

Lors de toute réparation réalisée dans le cadre de la garantie, nous nous assurons que votre appareil est réparé avec des pièces de rechange d'origine par un

technicien dûment formé et agréé. Nous utilisons exclusivement des pièces de rechange d'origine lors des réparations.

Pour plus d'informations sur la durée et les conditions de la garantie dans votre pays, consultez nos modalités de garantie auprès de votre détaillant ou sur notre site Web. Si vous contactez le service à la clientèle, indiquez le numéro de modèle (E-Nr.) et le numéro de fabrication (FD) de l'appareil.

USA:

1-800-735-4328

www.thermador.com/support

www.thermador.com/us/accessories

CA:

1-800-735-4328

www.thermador.ca

www.thermador.ca/fr/soutien/filtres-nettoyants-accessoires

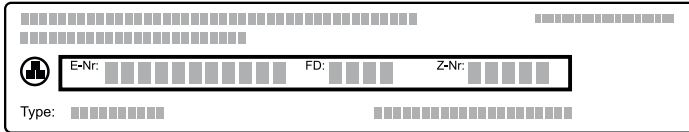
Vous trouverez également de l'aide pour contacter

Home Connect® à l'adresse suivante :

www.home-connect.com/us/en/help-support/set-up

17.1 Numéro de modèle (E-Nr.) et numéro de fabrication (FD)

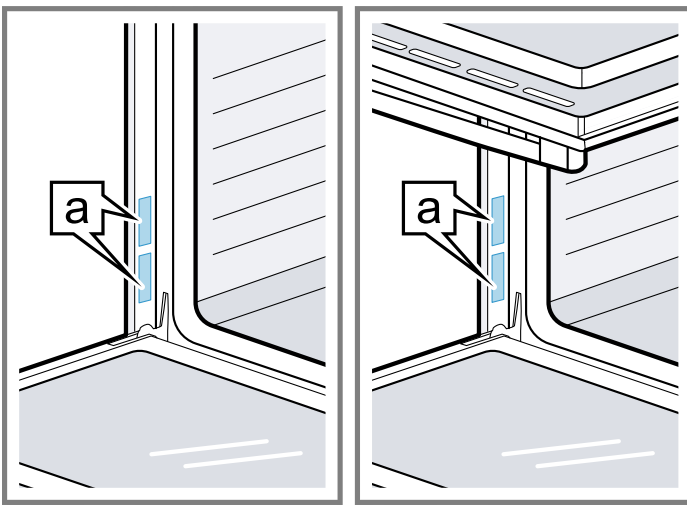
Le numéro de modèle (E-Nr.) et le numéro de fabrication (FD) sont indiqués sur la plaque signalétique de l'appareil.



Pour retrouver rapidement les données de votre appareil et le numéro de téléphone du service à la clientèle, n'hésitez pas à les recopier ailleurs.

17.2 Emplacement de la plaque signalétique

La plaque signalétique est située sur le côté gauche de la garniture de porte.



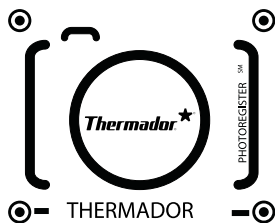
a Plaque signalétique

17.3 Enregistrement de produit

Enregistrez votre produit Thermador pour accéder aux informations relatives à votre produit.

Vous pouvez enregistrer votre produit de plusieurs manières :

- Inscrivez-vous avec votre téléphone (aux É.-U. seulement) :



- Prenez une photo de l'icône de la caméra sur la carte d'enregistrement, y compris les points (⊙).
- Envoyez la photo par texto au numéro 21432. (É.-U. seulement, des frais de messagerie et de données peuvent s'appliquer.)
- Postez la carte d'enregistrement du produit remplie à l'adresse imprimée sur la carte.

- Enregistrez le produit en ligne au
 - É.-U. : www.thermador.com
 - Canada : www.thermador.ca
- Appelez Thermador Support à la clientèle au 1-800-735-4328.

18 ÉNONCÉ DE LA GARANTIE LIMITÉE DU PRODUIT

18.1 Couverture de la garantie limitée

La garantie limitée fournie par BSH Home Appliances (« Thermador ») dans cet énoncé de garantie limitée s'applique seulement à l'appareil Thermador qui vous a été vendu (« Produit »), pour autant que le produit ait été acheté :

- Pour une utilisation normale résidentielle (non commerciale), et qu'il a été utilisé en tout temps pour un usage domestique normal.
- Neuf au détail auprès d'un revendeur agréé BSH ou directement auprès de BSH (pas un présentoir, « tel quel », ou un modèle précédemment retourné), et non destiné à la revente ou à un usage commercial.
- Aux États-Unis ou au Canada et qu'il est demeuré en tout temps dans son pays d'achat.

Les garanties aux présentes s'appliquent à l'acheteur original du produit sous garantie et à tout propriétaire successif du produit acheté pour une utilisation résidentielle habituelle et la durée de la garantie. Assurez-vous d'enregistrer votre produit ; Bien qu'il ne soit pas nécessaire pour appliquer la garantie, c'est le meilleur moyen pour Thermador de vous informer dans le cas peu probable d'un avis de sécurité ou d'un rappel de produit.

18.2 Durée de la garantie

Thermador garantit que le produit est exempt de défaut de matériau et de fabrication pour une période de sept cent trente (730) jours à compter de la date de livraison. La période susmentionnée commence à partir de la date de livraison et ne doit pas être retenue, retardée, prolongée, ou interrompue pour une raison quelconque. Ce Produit est également garanti exempt de défauts **cosmétiques** de matériaux et de fabrication (tels que des rayures sur l'acier inoxydable, des taches de peinture/porcelaine, des éclats, des bosses ou d'autres dommages à la finition) du Produit, pendant une période de soixante (60) jours à compter de la date de livraison ou de la date de clôture pour une nouvelle construction. La présente garantie **cosmétique** exclut les variations légères de couleur causées par les différences inhérentes entre les sections peintes et les sections en porcelaine, de même que les différences causées par l'éclairage de la cuisine, l'emplacement du

produit et autres facteurs similaires. La présente garantie **cosmétique** exclut spécifiquement tous les appareils en montre, de plancher, « tel quel » et remis à neuf.

18.3 Réparation ou remplacement : votre recours exclusif

Pendant cette période de garantie, Thermador ou l'un de ses centres de réparations autorisés réparera gratuitement votre Produit (sous réserve de certaines restrictions aux présentes) si celui-ci présente des défauts de matériels ou de fabrication. Si des tentatives raisonnables pour réparer le produit sont vaines, alors Thermador remplacera le produit (un modèle supérieur peut être offert, à la seule discrétion de Thermador, moyennant des frais supplémentaires). Rien dans cette garantie n'exige que les pièces endommagées ou défectueuses soient remplacées par des pièces d'un type ou d'une conception différent de la pièce d'origine. Toutes les pièces ou les composants enlevés demeurent la seule propriété de Thermador. Toute pièce remplacée ou réparée doit être identique à la pièce d'origine aux fins de la présente garantie et la garantie ne sera pas prolongée en regard de telles pièces. La seule responsabilité de Thermador, en vertu des présentes, se limite à la réparation des produits défectueux au départ de l'usine, par le biais d'un fournisseur de services agréé Thermador pendant les heures de travail normales. Pour des raisons de sécurité et de dommages matériels, Thermador vous recommande fortement de ne pas essayer de réparer le produit vous-même ou de faire appel à un fournisseur de services non autorisé ; Thermador n'assume aucune responsabilité pour les dommages résultant de réparations ou de travaux effectués par un fournisseur de services non autorisé. Les centres de réparation autorisés sont les personnes ou les entreprises qui ont été spécialement formées sur les produits Thermador et qui possèdent, selon l'opinion de Thermador, une réputation supérieure pour le service après-vente et la capacité technique (il est à noter qu'elles sont des entités indépendantes et non des agents, partenaires, affiliés ou représentants de Thermador). Néanmoins, le fait de confier l'entretien de votre produit à un atelier de réparation qui n'est pas affilié à Thermador ou à un revendeur agréé de Thermador n'annulera pas cette garantie. De plus, l'utilisation de pièces tierces n'annulera pas cette garantie. Nonobstant ce qui suit, Thermador ne sera pas tenue responsable d'aucune façon si le produit est situé dans une région éloignée (supérieure à 100 miles d'un centre de réparation autorisé) ou n'est pas accessible de façon raisonnable, dans un environnement ou un local dangereux, menaçant ou périlleux; dans une telle éventualité, à la demande du consommateur, Thermador pourrait encore payer les frais de main-d'œuvre et de pièces et expédier les pièces au centre de réparation autorisé le plus près, mais le consommateur serait entièrement responsable pour tous les frais de déplacement et autres frais spéciaux encourus par le centre de réparation, en autant qu'il accepte la demande de réparation. De plus, dans la mesure où vous avez

installé le produit dans un endroit difficile d'accès ou avez autrement installé des installations temporaires ou permanentes qui créent des obstacles à l'accès ou au retrait du produit, Thermador n'encourra aucune responsabilité ou n'aura aucune responsabilité pour les travaux ou les coûts associés au déplacement du Produit ou à la création d'un accès au Produit afin de le réparer ou de le remplacer. Tous ces frais seront à votre charge exclusive.

18.4 Produit hors garantie

Thermador n'a aucune obligation, aux termes de la loi ou autrement, d'offrir toute concession, incluant réparation, prorata ou remplacement de produit une fois la garantie expirée.

18.5 Exclusions de garantie

La couverture de garantie décrite dans les présentes exclut tous les défauts ou dommages pour lesquels Thermador serait directement imputable, y compris, sans s'y limiter, l'un ou plusieurs des cas suivants :

- Utilisation du produit autre qu'un usage normal, habituel et de la façon destinée (incluant, sans s'y limiter, toute forme d'utilisation commerciale, d'utilisation ou de rangement d'un produit pour l'intérieur à l'extérieur, d'utilisation du produit de concert avec un transporteur aérien ou marin).
- Mauvaise conduite de toute partie, négligence, mauvaise utilisation, abus, accidents, fonctionnement inadéquat, mauvais entretien, installation inadéquate ou négligente, altération, manquement d'observer les instructions de fonctionnement, mauvaise manipulation, service non autorisé (incluant réparation par le consommateur ou exploration du fonctionnement interne du produit).
- Réglage, modification ou altération de tout type.
- Non conformité aux normes fédérales, provinciales, municipales ou électriques en vigueur au pays, aux codes de plomberie ou du bâtiment, aux réglementations ou aux lois, incluant le non respect d'installer le produit en stricte conformité avec les codes et les réglementations du bâtiment et d'incendie locaux.
- Bris et usure normaux, déversements d'aliments ou de liquides, accumulations de graisse ou d'autres substances dans, sur ou autour du Produit.
- Toute force ou tout facteur externe, élémentaire et / ou environnemental, incluant sans limitation, la pluie, le vent, le sable, les inondations, les incendies, les coulées de boue, le gel, l'humidité excessive ou l'exposition prolongée à l'humidité, la foudre, les surtensions, les problèmes de structure autour de l'appareil et les désastres naturels.
- Demandes de service visant à corriger l'installation de votre Produit, à obtenir des conseils à propos de son utilisation, à remplacer les fusibles de votre maison ou à réparer l'installation électrique ou la plomberie de votre foyer.

- Retrait et remplacement de la garniture ou des panneaux de décoration qui entravent l'entretien du produit.
- Dommages ou défauts résultant de la main-d'œuvre ou de pièces installées par un centre de réparation non autorisé, à moins d'être approuvé par Thermador avant de procéder à sa réparation.

En aucun cas, Thermador ne sera tenue responsable de dommages survenus à la propriété environnantes, incluant les armoires, les planchers, les plafonds et les autres objets ou structures situés autour du produit. Également exclus de la garantie sont les Produits dont les numéros de série ont été modifiés, effacés ou enlevés; les demandes de réparations pour enseigner le fonctionnement du Produit ou les visites où il n'y a aucun problème avec le produit; la correction de problèmes d'installation (le consommateur est seul responsable pour toute structure et tout réglage du Produit, incluant l'électricité, la plomberie et les autres raccordements nécessaires, pour une fondation / plancher approprié[e], et pour toute modification incluant, sans limitation, armoires, murs, planchers, tablettes, etc.) et le réenclenchement de disjoncteurs ou le remplacement de fusibles.

DANS LA MESURE AUTORISÉE PAR LOI, LA PRÉSENTE GARANTIE PRÉCISE LES RECOURS EXCLUSIFS DONT VOUS DISPOSEZ À L'ÉGARD DU PRODUIT, QUE LA DEMANDE SOIT FONDÉE SUR UN CONTRAT OU DÉLIT (Y COMPRIS RESPONSABILITÉ ABSOLUE OU NÉGLIGENCE) OU AUTRE. LA PRÉSENTE GARANTIE REMPLACE TOUTES LES AUTRES GARANTIES, EXPRESSES OU IMPLICITES. TOUTES GARANTIES IMPLICITES AUX TERMES DE LA LOI, QUE SE SOIT LES GARANTIES DE QUALITÉ MARCHANDE OU D'APTITUDE À UN USAGE PARTICULIER, OU AUTRES, SONT LIMITÉES DANS LE TEMPS À LA DURÉE DE CETTE GARANTIE LIMITÉE EXPRESSE. LE FABRICANT NE SERA EN AUCUN CAS RESPONSABLE DE DOMMAGES CONSÉCUTIFS, SPÉCIAUX, ACCESSOIRES, INDIRECTS OU DE « PERTES COMMERCIALES » ET / OU DE DOMMAGES PUNITIFS, DE PERTES OU DE DÉPENSES, Y COMPRIS SANS S'Y LIMITER, ABSENCE DU TRAVAIL, FRAIS D'HÔTEL ET / OU FRAIS DE RESTAURANT, FRAIS DE REMANIEMENT EN EXCÉDENT DES DOMMAGES DIRECTS QUI SONT DÉFINITIVEMENT CAUSÉS EXCLUSIVEMENT PAR THERMADOR, OU AUTREMENT. CERTAINS ÉTATS N'AUTORISENT PAS L'EXCLUSION OU LA LIMITATION DE DOMMAGES ACCESSOIRES OU CONSÉCUTIFS, ET CERTAINS ÉTATS N'AUTORISENT PAS LA LIMITATION DE LA DURÉE DES GARANTIES IMPLICITES. PAR CONSÉQUENT, LES EXCLUSIONS OU LES LIMITES SUSMENTIONNÉES POURRAIENT NE PAS VOUS CONCERNER. LA PRÉSENTE GARANTIE VOUS DONNE DES DROITS PRÉCIS RECONNUS PAR LA LOI ET VOUS POUVEZ ÉGALEMENT AVOIR D'AUTRES DROITS QUI VARIENT D'UN ÉTAT À L'AUTRE.

Aucune tentative de modifier, changer ou amender la présente garantie ne peut être valide sans le consentement écrit autorisé par un dirigeant de BSH.

18.6 Obtention du service de garantie

Pour obtenir le service de garantie de votre produit, vous devez contacter le service client de Thermador au 1-800-735-4328 pour planifier une réparation.

18.7 Information sur le produit

Pour référence pratique, copiez l'information ci-après de la plaque signalétique. Conservez votre facture et/ou vos documents de livraison pour la validation de la garantie.

Numéro de modèle
(E-Nr.)

Numéro de
fabrication (FD)

Date de livraison



1901 MAIN STREET, SUITE 600 IRVINE, CA 92614 USA // 1-800-735-4328 // WWW.THERMADOR.COM
© 2023 BSH HOME APPLIANCES CORPORATION
8001252118 // en-us, fr-ca // 031009