

*Installation*  
**GUIDE**

---

Built-in oven

ME301YP ME302YP





## Table of contents

<b>IMPORTANT SAFETY INSTRUCTIONS .....</b>	<b>4</b>
Safety definitions .....	4
General information.....	4
Intended use.....	4
Restriction on user group.....	4
General safety instructions.....	4
Appliance handling safety .....	5
Safety codes and standards .....	5
Electrical safety .....	5
State of California Proposition 65 Warnings.....	6
Transport .....	6
<b>Before you begin.....</b>	<b>7</b>
Combination installations .....	7
Parts included .....	7
Tools and parts needed .....	7
Power requirements and grounding .....	7
<b>Package removal.....</b>	<b>7</b>
Removing the packaging from built-in single and double ovens.....	7
<b>Installation requirements.....</b>	<b>7</b>
Appliance weight.....	7
Location requirements.....	7
<b>30" Single oven dimensions.....</b>	<b>8</b>
30" Single oven appliance dimensions.....	8
30" Single oven traditional installation .....	8
30" Single oven flush mount installation.....	8
30" Single oven under-counter installation .....	9
<b>30" Double oven dimensions .....</b>	<b>9</b>
30" Double oven appliance dimensions .....	9
30" Double oven traditional installation .....	10
30" Double oven flush mount installation .....	10
<b>Prior to installation .....</b>	<b>10</b>
Lifting the appliance .....	10
Removing the oven door from bottom hinge con- ventional ovens .....	11
<b>Installing the ovens into the cabinet.....</b>	<b>12</b>
Reinstalling the oven door .....	12
<b>Electrical connection .....</b>	<b>14</b>
Electrical requirements.....	14
Location of the power outlet.....	14
Routing the electrical conduit cable.....	14
Installing a four-wire connection.....	14
Installing a three-wire connection.....	15
<b>Testing the operation.....</b>	<b>15</b>
<b>Customer support .....</b>	<b>15</b>
Contacting customer support.....	15
Product number (E-Nr.), production number (FD) and consecutive numbering (Z-Nr.) .....	15
Rating plate location .....	15
Filters, cleaners, accessories and parts .....	16
Home Connect™ .....	16



# IMPORTANT SAFETY INSTRUCTIONS

READ AND SAVE THESE INSTRUCTIONS

Please read the safety information to ensure that you use the appliance safely.

## Safety definitions

Here you can find explanations of the safety signal words used in this manual.

### **WARNING – Risk of injury!**

This indicates that death or serious injuries may occur as a result of non-observance of this warning.

### **CAUTION – Risk of injury!**

This indicates that minor or moderate injuries may occur as a result of non-observance of this warning.

### **NOTICE:**

This indicates that damage to the appliance or property may occur as a result of non-compliance with this advisory.

**Note:** This alerts you to important information and/or tips.

## General information

Here you can find general information about this manual.

- Please read this manual carefully.
- Observe the safety instructions and warnings.
- Keep the manual and the product information in a safe place for future reference or for the next owner.
- Check the appliance for damage after unpacking it. Do not connect the appliance if it has been damaged in transit.

## Intended use

Read all information about this appliance, including its intended use.

Only a qualified professional may connect appliances without plugs. The manufacturer is not responsible for damage caused by incorrect connections. Please see the Statement of Limited Product Warranty in the Use and Care Guide.

Only use this appliance:

- in private households (non-commercial).

## Restriction on user group

Avoid placing children and vulnerable persons at risk.

- This appliance is not intended for use by persons (including children) with reduced physical, sensory or mental capabilities, or lack of experience and knowledge, unless they have been given supervision or instruction concerning use of the appliance by a person responsible for their safety.
- Do not let children play with the appliance.
- When children become old enough to use the appliance, it is the responsibility of the parents or legal guardians to ensure that they are instructed in safe practices by qualified persons.
- Children should be supervised to ensure that they do not play with the appliance.

## General safety instructions

Read these instructions before beginning the installation of your appliance.

**IMPORTANT:** SAVE THESE INSTRUCTIONS FOR THE LOCAL ELECTRICAL INSPECTOR'S USE.

**INSTALLER:** LEAVE THESE INSTALLATION INSTRUCTIONS WITH THE UNIT FOR THE OWNER.

**OWNER:** PLEASE RETAIN THESE INSTRUCTIONS FOR FUTURE REFERENCE.

## Risk of injury

### **WARNING – Risk of injury!**

- If the information in this manual is not followed exactly, fire or shock may result causing property damage or personal injury.
- Do not repair, replace or remove any part of the appliance unless specifically recommended in the manuals. Improper installation, service or maintenance can cause injury or property damage.
  - ▶ Refer to this manual for guidance.
  - ▶ All other servicing should be done by an authorized service provider.



# IMPORTANT SAFETY INSTRUCTIONS

READ AND SAVE THESE INSTRUCTIONS

- When installing a cooktop over a single oven, be sure to follow the instructions in both the oven's and the cooktop's installation manuals.
- Never modify or alter the construction of the appliance.
  - ▶ For example, do not remove leveling legs, panels, wire covers or anti-tip brackets/screws.

## Risk of suffocation

### **WARNING – Risk of suffocation!**

Remove all tape and packaging before using the appliance.

- ▶ Destroy the packaging after unpacking the appliance.
- ▶ Never allow children to play with packaging material.

## Appliance handling safety

Follow these instructions when moving or handling your appliance.

## Risk of injury

### **WARNING – Risk of injury!**



Unit is heavy and requires at least two people or proper equipment to move.

- ▶ For double and triple ovens, three or more people are needed to assist with lifting the unit into place.
- ▶ Do not lift appliance by door handle.
- ▶ Remove the door for easier handling and installation. See instructions in this manual.

## Risk of cutting

### **WARNING – Risk of cutting!**



Hidden surfaces may have sharp edges.

- ▶ Use caution when reaching behind or under appliance.

## Safety codes and standards

This appliance complies with the latest version of one or more of the following standards:

- CAN/CSA C22.2 No. 61 - Household Cooking Ranges
- CSA C22.2 No. 64 - Household Cooking and Liquid- Heating Appliances
- UL 1026 - Electric Household Cooking and Food Serving Appliances
- UL 858 - Household Electric Ranges

It is the responsibility of the owner and the installer to determine if additional requirements and/or standards apply to specific installations.

## Electrical safety

Follow these safety instructions to avoid risk by electric shock.

- **Installer** - show the owner the location of the circuit breaker or fuse. Mark it for easy reference.
- If required by the National Electrical Code (or Canadian Electrical Code), this appliance must be installed on a separate branch circuit.
- Local codes vary. The installer is responsible for ensuring that the installation, connections, and grounding comply with all applicable codes. The manufacturer is not responsible for any issues associated with the improper installation of this product.
- Refer to the rating plate for more information.
  - "Rating plate location", Page 15

## Risk of electric shock

### **WARNING – Risk of electric shock!**

- Before you turn on power supply, make sure all controls are in the OFF position.



#### ■ **ELECTRIC SHOCK HAZARD**

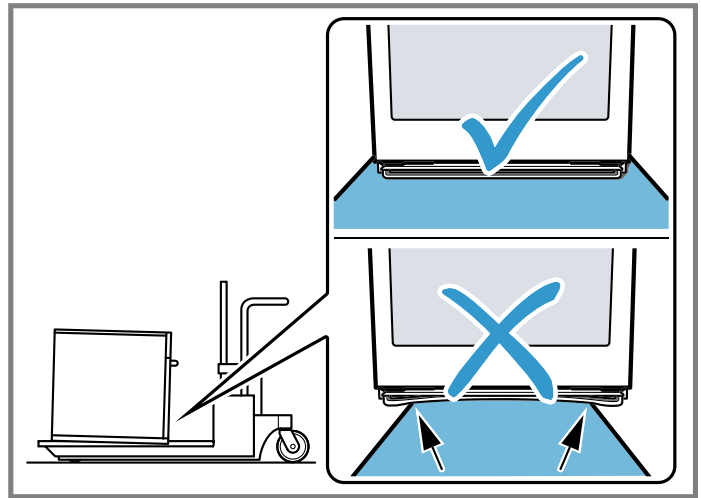
- ▶ Disconnect power before installing or servicing. Before turning power ON, be sure that all controls are in the OFF position.
- ▶ DO NOT remove connections.
- ▶ DO NOT use an extension cord.



# IMPORTANT SAFETY INSTRUCTIONS

READ AND SAVE THESE INSTRUCTIONS

- ▶ Improper grounding can result in a risk of electric shock.
- ▶ Failure to follow these instructions can result in death, fire, or electrical shock.
- Before you plug in an electrical cord, be sure all controls are in the OFF position.
- Before installing, turn power OFF at the service panel.
  - ▶ Lock service panel to prevent power from being turned ON accidentally.
- GROUNDING INSTRUCTIONS This appliance must be grounded.
  - ▶ Grounding reduces the risk of electric shock by providing a safe pathway for electric current in the event of a short circuit.
  - ▶ Be sure your appliance is properly installed and grounded by a qualified technician.
  - ▶ Installation, electrical connections and grounding must comply with all applicable codes.



## State of California Proposition 65 Warnings

This product may contain a chemical known to the State of California, which can cause cancer or reproductive harm. Therefore, the packaging of your product may bear the following label as required by California:

**STATE OF CALIFORNIA PROPOSITION 65 WARNING:**

 **WARNING**

Cancer and Reproductive Harm - [www.P65Warnings.ca.gov](http://www.P65Warnings.ca.gov)

## Transport

Follow these precautions when transporting your appliance.

### NOTICE:

To avoid damaging the appliance, use the transport method shown in the picture below.

## Before you begin


Read these instructions before you begin to install your appliance.

## Combination installations

For combination installations with other Thermador products (i.e. cooktop over oven, side-by-side ovens, etc.), refer to the Approved Combination Guide located in the manual set or on our website for additional clearance requirements for your specific installation.

## Parts included

After unpacking all the parts, check for any damage in transit and for completeness of delivery.

8 x ⊕		8 x Oven mounting screws (located in the red poly bag in the broil pan package) Refer to enclosed leaflet SCREW INSTALLATION
-------	---	--

## Tools and parts needed

Prepare these tools and accessories before you start to install your appliance.

- Pencil
- Measuring tape
- Level
- T-20 star bit screwdriver
- Cross head screwdriver
- Drill with bit 1/8"
- Knife
- Gloves

## Power requirements and grounding

The outlet must be properly grounded in accordance with all applicable codes.

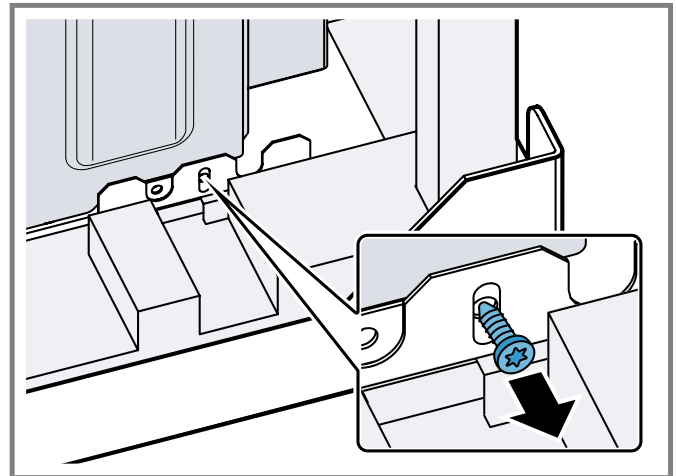
## Package removal

Protect any finished flooring before you move the oven.

### Removing the packaging from built-in single and double ovens

1. Cut the box straps.
2. Open the top of the carton and remove the top wood frame.
3. Remove the carton by lifting it up and off the unit.  
Alternatively you can carefully cut along the cut line on the back left side of the carton with a blade shorter than 3/4" (20 mm).
4. Place the unit in front of the cabinet where it is to be installed. The unit should be in line with the cabinet cutout.  
Leave the unit on the packaging base until it is ready to be lifted into the cabinet cutout.
5. Remove all internal protective packaging, racks, accessories, and instruction manuals from the oven cavity.

6. Remove the packaging brackets.
  - With a T-20 star bit screwdriver, remove the screws that go through the slotted holes in the mounting brackets on the left and right side.
  - Do not remove any additional screws from the oven.



- ✓ The oven is released from the packaging base.
  - ✓ The brackets remain in the packaging base.
7. Leave the appliance on the packaging base until you lift it into the cabinet cutout or onto the lower oven.

## Installation requirements

Read these instructions to prepare the installation space for your appliance.

### Appliance weight

The cabinet base must support the weight of your oven as stated in this table.

Oven type	Weight
30" Single oven	232 lbs (105 kg)
30" Double oven	390 lbs (177 kg)

### Location requirements

Ensure your installation location fulfills the following requirements before you begin with the installation procedure.

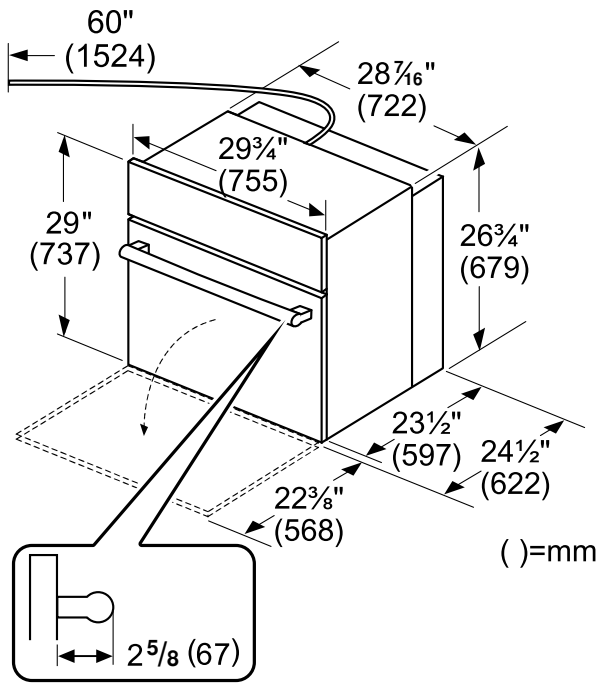
- When an oven is installed at the end of a cabinet run, adjacent to a perpendicular wall or a cabinet door, allow at least 1/4" (6.4 mm) space between the side of the oven and the wall or door.
- For oven support, install 2x4s extending front to back flush with the bottom and the sides of the opening.
- The supporting base must be well secured to the floor or cabinet and must be level.
- The cabinet opening must be plumb and the base must be flat and level.
- When installing a side hinge oven, leave at least 10" (254 mm) clearance to allow the door to open.
- Junction boxes can be located anywhere within reach of the oven's power cable.

- The cabinet base must be flat and capable of supporting the weight of your unit. Refer to the "appliance weight table" → Page 7 for the requirements of your oven.
- Under-oven dimensions are provided as a general guideline and may be adjusted as needed based on a particular application. Consult a design professional for optimizing personal preferences.

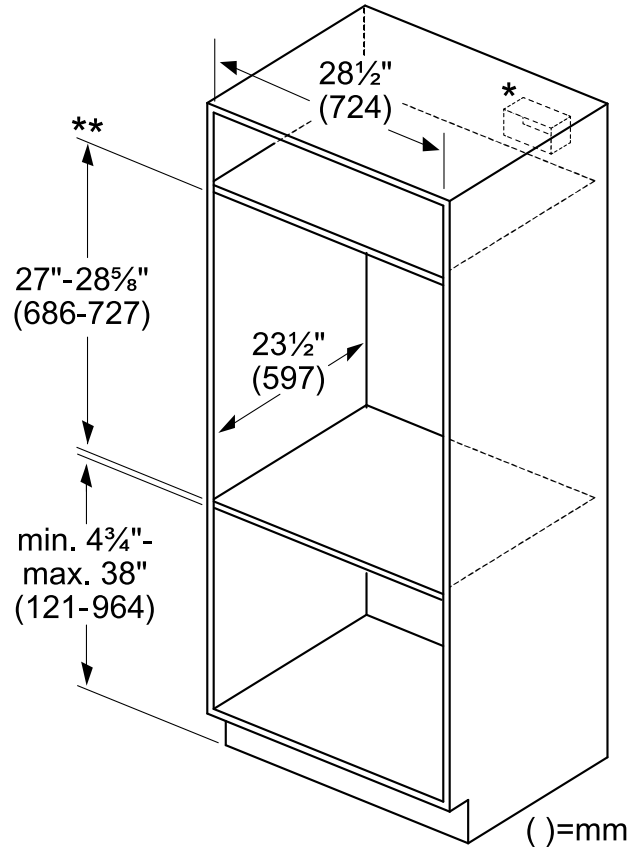
### 30" Single oven dimensions

Read here for appliance and cabinet dimensions for 30" single ovens.

### 30" Single oven appliance dimensions



### 30" Single oven traditional installation

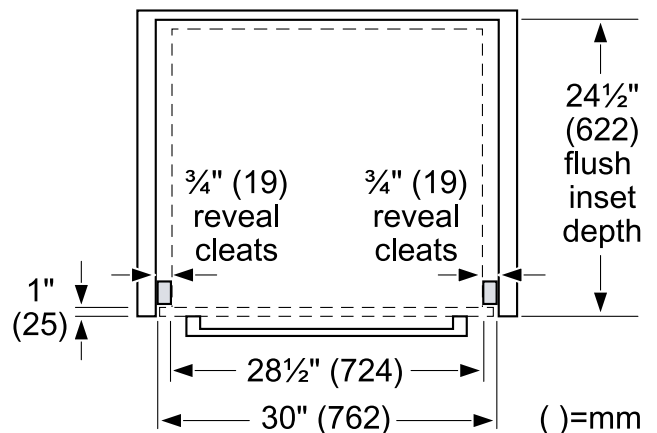


\*The junction box may be located above, beneath, left or right of the unit within reach of the flexible conduit.  
 \*\*Control panel overlap: min. 3/8" (10mm) to max. 2" (51mm).

### 30" Single oven flush mount installation

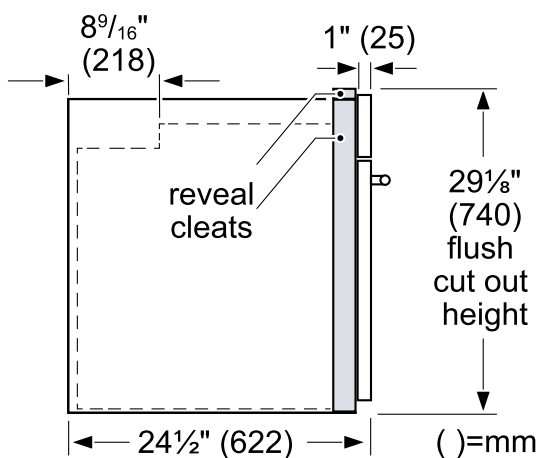
Flush installation requires two side cleats to be attached inside the cabinet frame, recessed from the front.

#### Top view bottom hinged door

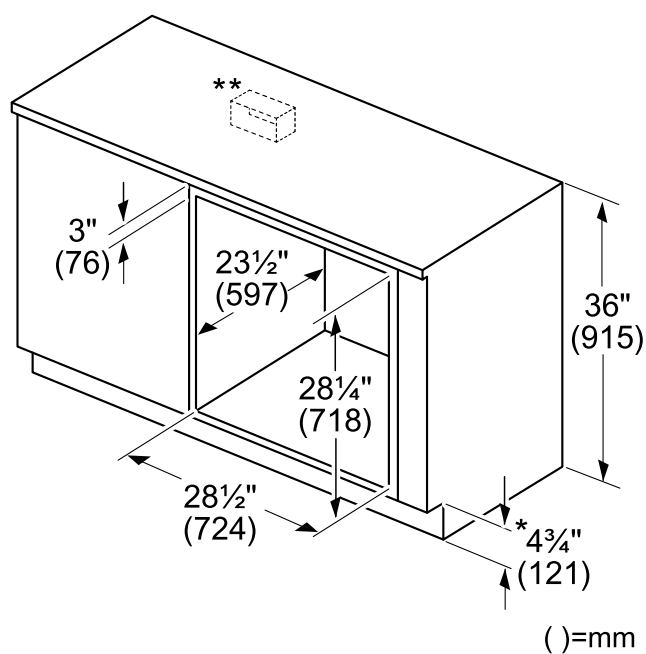




Side view



30" Single oven under-counter installation

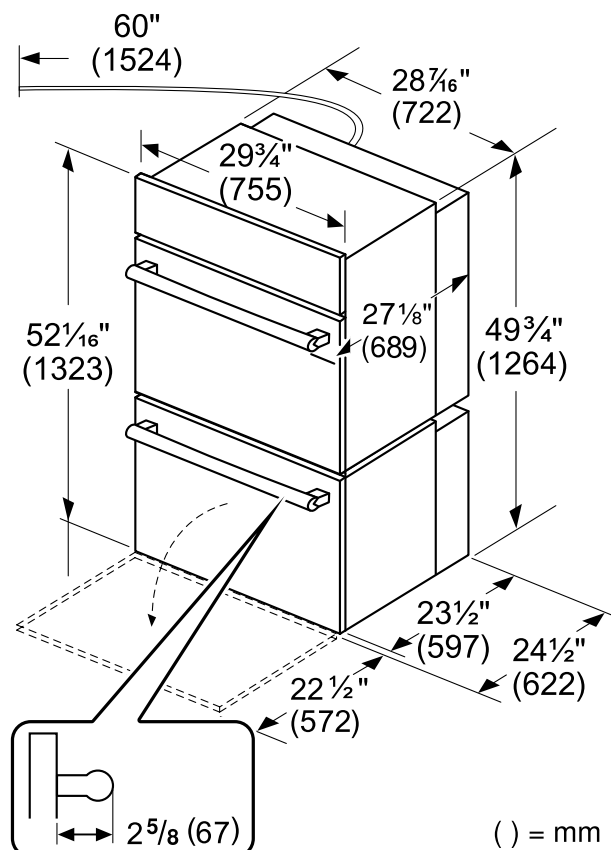


\*Includes 3/4" (19 mm) base plate.  
\*\*The junction box may be located to the left or right of the unit within reach of the flexible conduit.

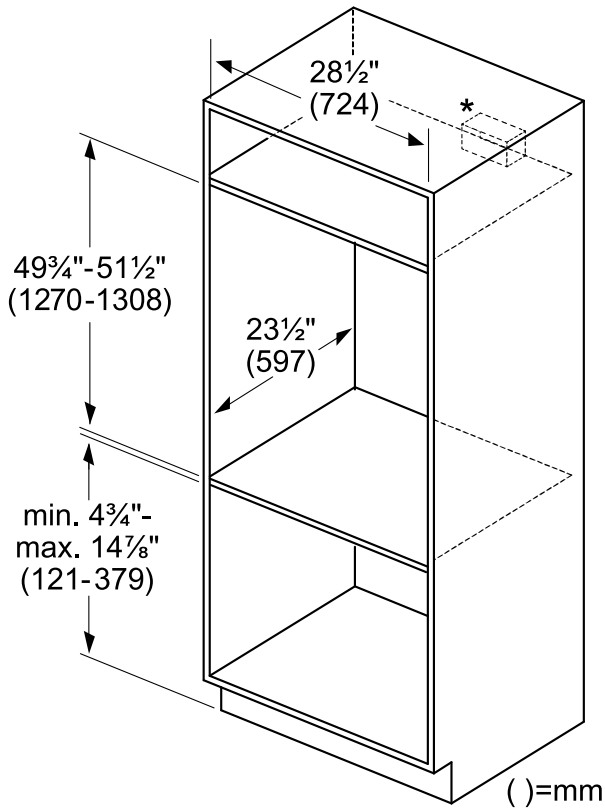
30" Double oven dimensions

Read here for appliance and cabinet dimensions for 30" double ovens.

30" Double oven appliance dimensions



### 30" Double oven traditional installation

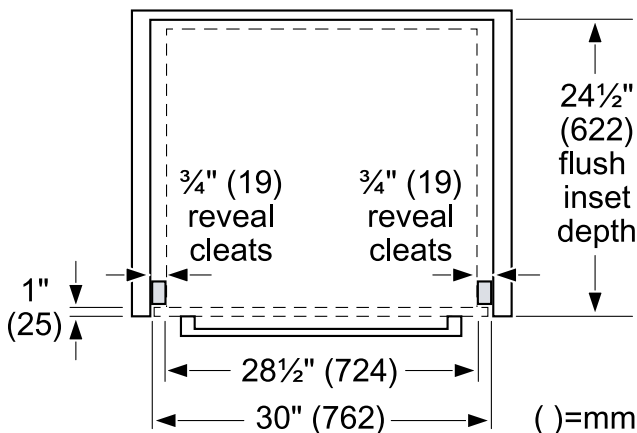


\*Junction box location: above, left or right of the unit within reach of the flexible conduit.  
Control panel overlap: min. 3/8" (10mm) to max. 2" (51mm).

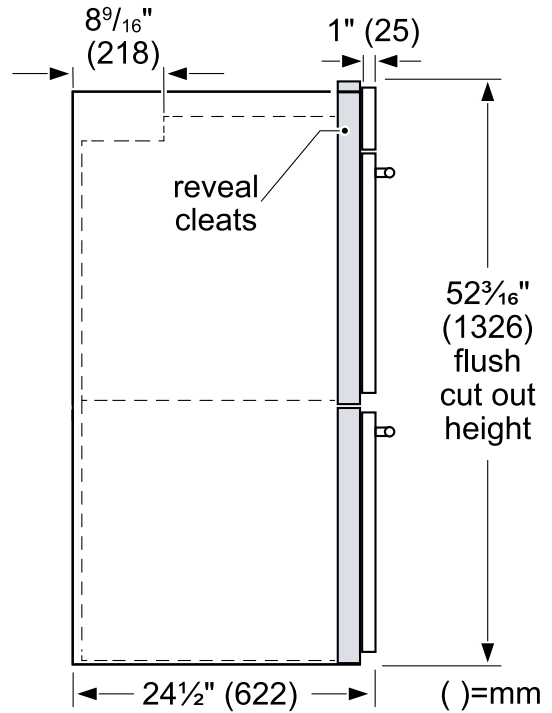
### 30" Double oven flush mount installation

Flush installation requires two side cleats to be attached inside the cabinet frame, recessed from the front.

#### Top view bottom hinged door



#### Side view



### Prior to installation

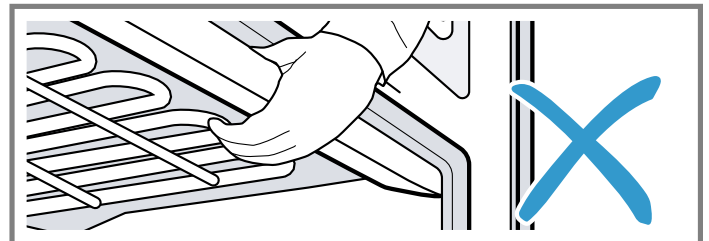
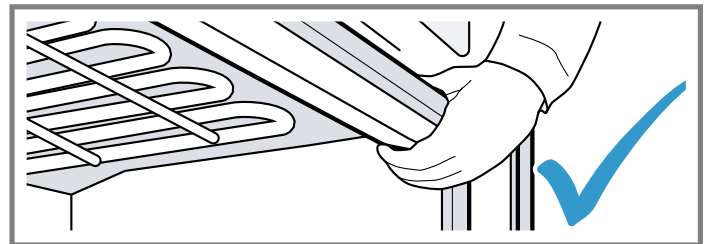
Carry out these steps to prepare your appliance for installation.

### Lifting the appliance

Follow these recommendations to prevent injury and damage to the appliance during lifting.

**CAUTION**  
**Risk of crushing!**

DO NOT attempt to lift the unit by holding the oven's upper heating element.



- Remove the bottom hinge oven door prior to installation to access the necessary lifting points and to significantly reduce the unit weight. For double ovens

with bottom hinge doors, you can remove both oven doors.

→ "Removing the oven door from bottom hinge conventional ovens", Page 11

- The oven can be difficult for two people to handle during installation. It is recommended to have three or more people available to assist with lifting the unit into place.
- There is a ridge across the top front of the oven cavity. Lift by grasping this ridge with one hand while placing the other hand on the back of the unit. If a third helper is lifting from the front, both hands should lift by holding this ridge area.  
→ "Lifting points", Page 11
- The recommended lifting method depends on the oven door type.

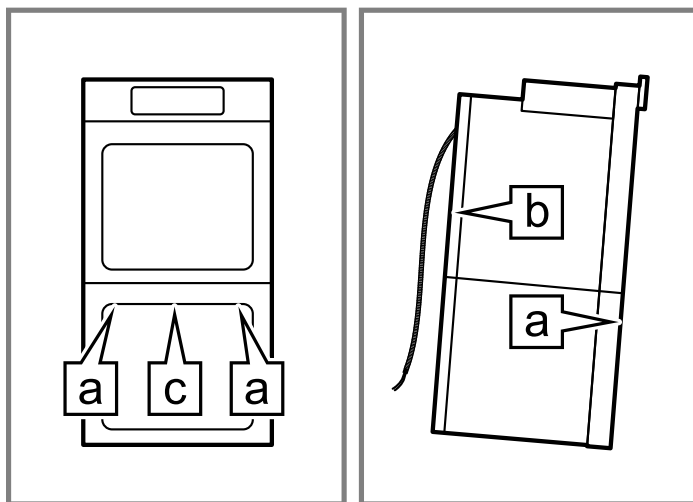
### Lifting points

The persons lifting the appliance should stand on either side of the oven, using the lifting points specified in the chart and illustrations. A third person helping to lift the unit should stand in front of the oven, facing the oven cavity.

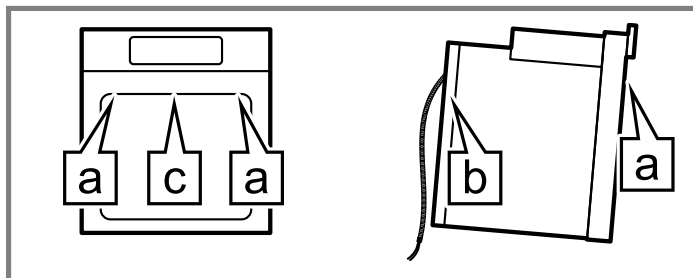
**Note:** The lifting points are shown with the door removed.

Lifting points	Description
a	Front location of the hand for the helpers lifting from the sides of the unit
b	Back location of the hand for the helpers lifting from the sides of the unit
c	Location for a third person to help lift the unit

#### Double ovens with bottom hinge door



#### Single ovens with bottom hinge door



## Removing the oven door from bottom hinge conventional ovens

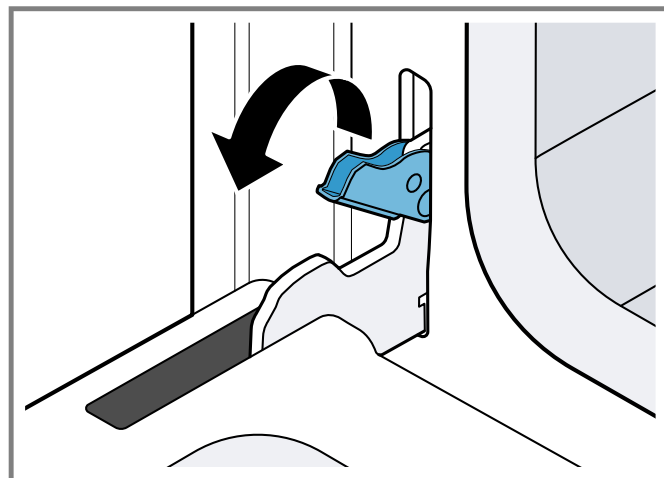
It is recommended to remove the bottom hinge door of conventional ovens to reduce the weight of the appliance and to facilitate its handling and installation. For double ovens with bottom hinge doors you can remove both oven doors.

### **⚠ WARNING** Risk of injury!

Failure to follow these instructions when removing the oven door may lead to personal injury or product damage.

- ▶ Make sure oven is cool and power to the oven has been turned off before removing the door.
  - ✓ Failure to do so could result in electrical shock or burns.
- ▶ The oven door is heavy and parts of it are fragile. Use both hands to remove the oven door.
- ▶ The door front is glass. Handle it carefully to avoid breakage.
- ▶ Grasp only the side of the oven door. Do not grasp the handle.
  - ✓ It may swing in your hand and cause damage or injury.
  - ✓ Failure to grasp the oven door firmly and properly could result in personal injury or product damage.
- ▶ To avoid injury from hinge bracket snapping closed, be sure both levers are securely in place before removing the door.
- ▶ Do not force the door open or closed.
  - ✓ The hinge could be damaged and cause damage or injury.
- ▶ Do not lay the removed door on sharp or pointed objects as this could break the glass. Lay it on a flat, smooth surface, positioned so that the door cannot fall over.

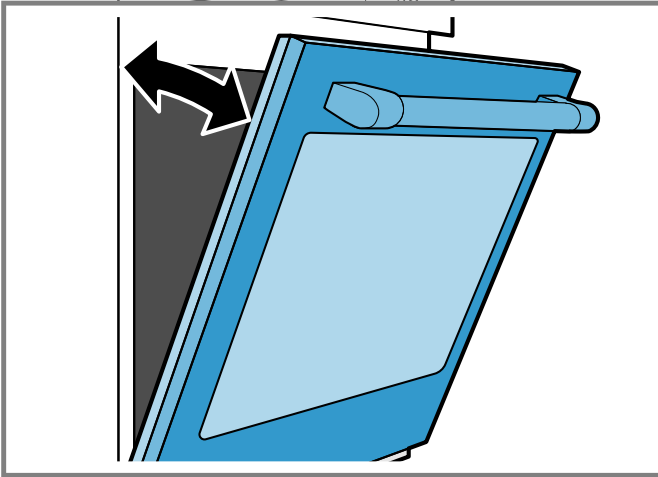
1. Open the oven door to its fully open position.
2. Flip levers on hinges toward you.



If necessary, use a tool, such as a screwdriver, to gently pry the upper part of the lever away from the housing. Take care to avoid scratching the housing.

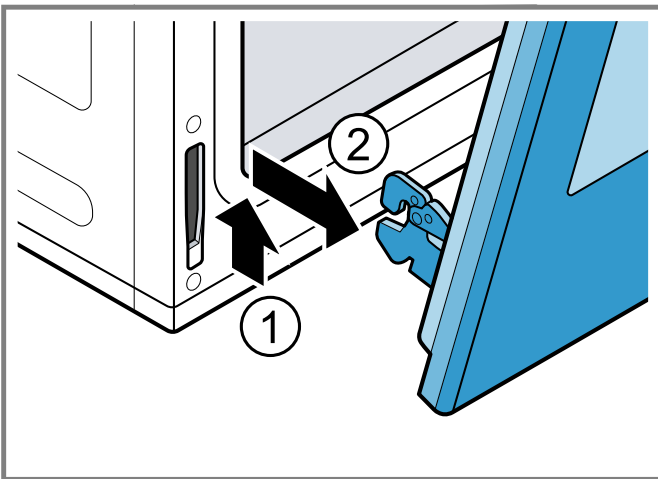
3. Bring both door hinge levers to their fullest down position. The left and right door hinges differ slightly but operate in the same manner.

4. **⚠ CAUTION - Risk of injury!** Follow the instructions below to prevent the latch from slamming shut and pinching or cutting your hand.  
Close the oven door until it catches on the hinge stop levers, locking the hinges at the proper angle for door removal.



✓ The door will be open about 7" (18 cm) at the top.

5. **⚠ CAUTION - Risk of injury!** The door is heavy.  
Do not grip the door by the handle.  
Use both hands to firmly grip it by the sides.  
Maintaining the door angle, lift the door straight up approximately 3/4" (2 cm) to unhook the hinges from the slots and then pull it out towards you until the hinges are clear of the oven housing.



6. Place the door in a convenient and stable location. Do not lay the door on its handle. This could cause dents or scratches.

## Installing the ovens into the cabinet

Follow these instructions to install your appliance in the cabinet.

### ⚠ CAUTION Risk of injury!

It is recommended to wear protective clothing during the lifting process.

- ▶ Wear gloves and long sleeves to protect hands and forearms from abrasion and potential scratches.
- ▶ Take off watches and jewelry.
- ▶ Wear work shoes for foot protection.

### ⚠ CAUTION Risk of crushing!

- DO NOT attempt to lift the unit by holding the oven's upper heating element.
- Three people or proper equipment are needed to safely lift the combination oven into the cabinet opening.

### Requirements

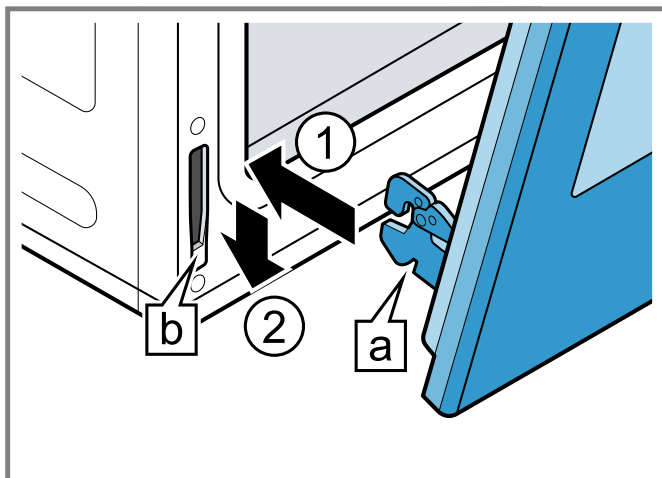
- You have verified the cabinet dimensions and electrical connections.
  - You have removed the oven door.  
→ "Removing the oven door from bottom hinge conventional ovens", Page 11
  - "You have read the lifting recommendations"  
→ Page 10.
1. Position the unit on its packaging base close to and in front of the cabinet opening.
  2. Lift or slide the unit into the cabinet cutout. Do not allow the unit base to contact the flooring.
  3. Guide the unit straight back into the cabinet cutout. Push the unit straight in until the oven trim is about 2" (5 cm) from being flush with cabinet wall.
  4. Check that the electrical conduit cable is not crimped between the oven and the cabinet back wall. If necessary, guide the electric conduit cable into the wall of the cabinet access hole so it does not prevent the unit from being pushed all the way into the cabinet opening.
  5. Check that the oven is straight and level.
  6. Push the unit all the way back into the cabinet cutout until the front edge of the unit is flush with the front of the cabinet.
  7. Install the supplied screws through the tap holes in the trim.

Refer to the enclosed SCREW INSTALLATION leaflet.

## Reinstalling the oven door

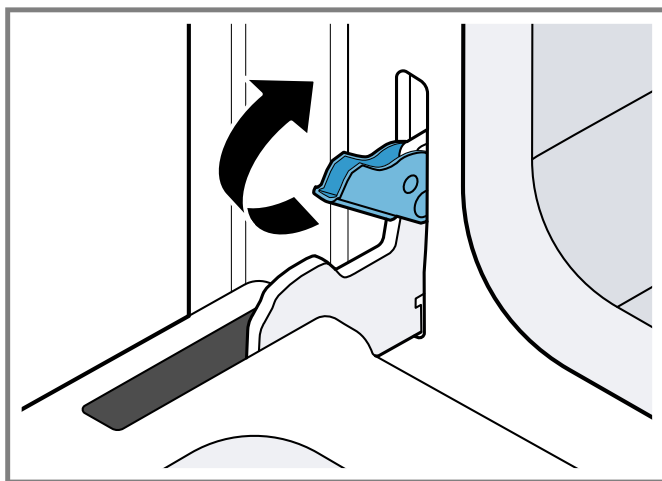
1. Hold the door firmly in both hands. Grip it on either side, not by the handle.
2. Tilt the door back slightly towards you until it opens about 7" (18 cm) at the top.

3. Slide the hinges **a** into the slots **b** as far as they will go ① and lower the door straight down ②.



The angle of the door may need to be adjusted slightly to allow the hinges to engage properly and the door to lower into place. The door should lower about 3/4" (2 cm) and stop. If it does not, the hinges have not engaged properly and the door could fall if it is released.

4. Once both hinges are fully engaged, gently open the door until it is fully open.
5. Push the levers on both the hinges up and forward until they are locked into the slot and flush with the front of the oven body.



6. Close and open the door slowly to be sure it is correctly and securely in place.

## Electrical connection

Read these instructions to safely connect your appliance to the electrical supply.

### Electrical requirements

Make sure your electrical installation supports the following requirements.

This appliance must be supplied with the proper voltage and frequency and connected to an individual, properly grounded branch circuit, protected by a circuit breaker or fuse. To know the circuit breaker or fuse required by

your model, see the rating plate to find the wattage consumption and refer to the ratings table to get the circuit breaker or fuse amperage.

All oven models on the front cover of this Installation Guide are dual rated, designed to be connected to either 208 V or 240 V AC, 60 Hz, 4-wire, single-phase power supply.

Model	Circuit required	Watts @ 240 V	Circuit required	Watts @ 208 V
ME301YP	30 A	6400	30 A	4800
ME302YP	40 A	8500	40 A	6500

### Location of the power outlet

Before you install the appliance, check the location of the power outlet.

- If the electrical supply is located in the cabinet opening, the electrical connection must be made prior to placing the oven in the opening.
- If the electrical supply is in an adjacent cabinet, electrical connection can be made after placing the oven in the opening.

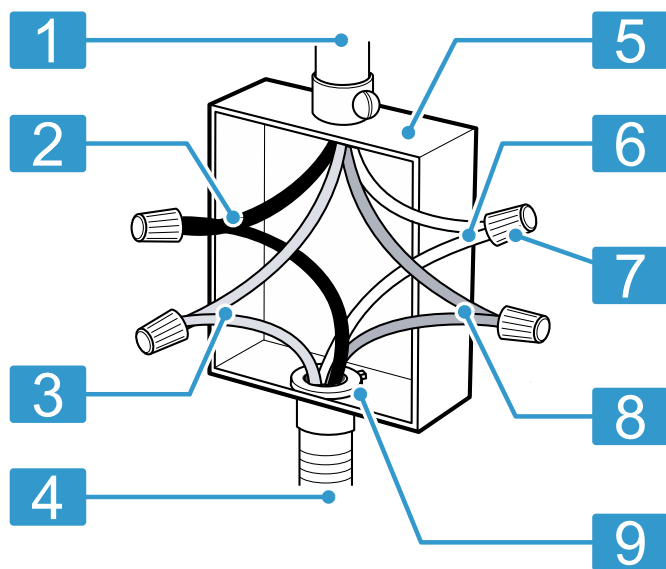
### Routing the electrical conduit cable

#### Requirements

- A hole in the cabinet has been prepared to route the electric conduit from the oven to the junction box.
- Serviceability must be maintained. Do not shorten the electric conduit cable. Route the electric conduit cable in a way to permit temporary removal of the oven.
- ▶ The electrical conduit cable swivels where it is connected at the oven. Rotate the electric conduit cable upward or downward and direct it through the prepared hole in the cabinet.

### Installing a four-wire connection

1. **IMPORTANT:** Use the four-wire cable from home power supply in the U.S. where local codes do not allow grounding through neutral, New Branch circuit installations (1996 NEC), mobile homes and recreational vehicles, new construction and in Canada.

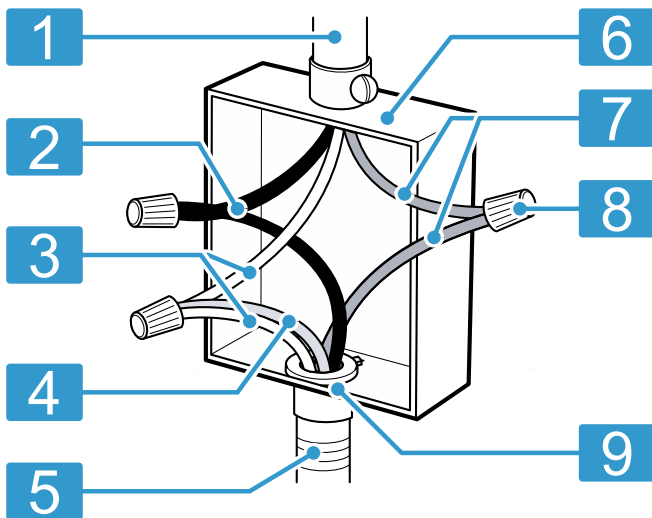


1	Cable from home power supply
2	Black wires
3	Red wires
4	4-wire flexible conduit from oven
5	Junction box
6	White wires
7	UL listed wire connectors
8	Green (or bare) ground wire
9	UL listed or CSA approved conduit connector

2. Connect the red oven wire to the red electrical supply wire (hot wire).
3. Connect the black oven wire to the black electrical supply wire (hot wire).
4. Connect the white neutral oven wire to the white neutral (not bare or green ground) electrical supply wire.
5. Connect the green ground oven wire to the bare or green ground electrical supply wire.

## Installing a three-wire connection

1. **IMPORTANT:** Use the three-wire cable from home power supply only where local codes permit a three-wire connection.



1	Cable from home power supply
2	Black wires
3	White wires
4	Green (or bare) ground wire (from oven)
5	4-wire flexible conduit from oven
6	Junction box
7	Red wires
8	UL listed wire connectors
9	UL listed or CSA approved conduit connector

2. Connect the red wire from the oven to the red wire in the junction box.
3. Connect the black wire from the oven to the black wire in the junction box.
4. Connect both green ground wire and white wire from the oven to the white, green or bare neutral wire in the junction box.

## Testing the operation

Check if your unit is working properly after you have completed the installation steps.

1. Turn on power at the breaker.
2. To test the oven select the **bake** mode. See the User Manual for detailed operating instructions.
3. Verify that the oven light comes on and the oven begins to preheat.
4. To test the door lock set the **self clean** mode. Confirm that the door locks when the lock icon appears in the display.

## Customer support

We're happy to assist you with cleaning and care instructions, accessories, troubleshooting, scheduling service visits and more.

Browse our online resources, such as FAQs and How-to Videos, or call us.

## Contacting customer support

Please have the product number (E-Nr.), the production number (FD) and the consecutive numbering (Z-Nr.) of your appliance noted.

This information can be found on the appliance rating plate.

→ "Rating plate location", Page 15

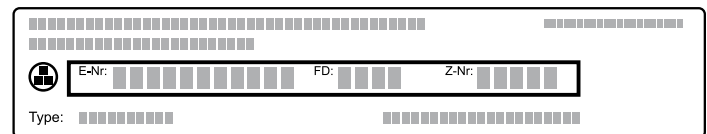
- USA:  
800-735-4328  
[www.thermador.com/support](http://www.thermador.com/support)
- Canada:  
1-800-735-4328  
[www.thermador.ca](http://www.thermador.ca)

## Product number (E-Nr.), production number (FD) and consecutive numbering (Z-Nr.)

You can find the product number (E-Nr.), the production number (FD) and the consecutive numbering (Z-Nr.) on the appliance's rating plate.

You can see the rating plate with these numbers when you open the appliance door.

→ "Rating plate location", Page 15



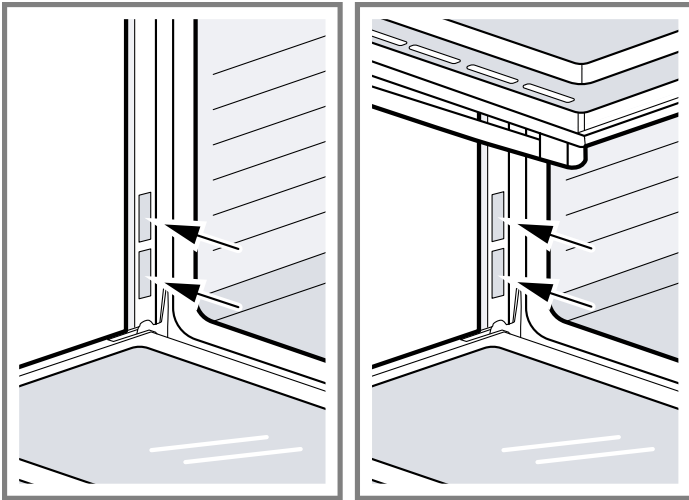
Making a note of your appliance's details and the after-sales telephone number will enable you to find them again quickly.

## Rating plate location

Refer to this section to see where the rating plate of your appliance is located.

## Single and double oven rating plate

The rating plate is located at the left hand side of the door trim.



## Filters, cleaners, accessories and parts

Filters, descalers, cleaners, griddles, parts, and more can be purchased at Thermador online.

- USA:  
[www.store.thermador.com/us](http://www.store.thermador.com/us)
- Canada:  
Purchase through our distributors:
  - Marcone: 1-800-287-1627
  - Reliable Parts: 1-800-663-6060

## Home Connect™

Connect your appliance via the Home Connect™ app for a world of possibilities that enhance your appliance experience.

For assistance with connecting, contact us at the phone number above, or view instructions here: [www.home-connect.com/us/en/help-support/set-up](http://www.home-connect.com/us/en/help-support/set-up).



## Table des matières

<b>IMPORTANTES CONSIGNES DE SÉCURITÉ .....</b>	<b>.. 18</b>
Définitions des termes de sécurité .....	.. 18
Informations générales.....	.. 18
Utilisation prévue.....	.. 18
Restriction sur le groupe d'utilisateurs.....	.. 18
Consignes générales de sécurité .....	.. 18
Manipulation sécuritaire des appareils .....	.. 19
Codes et normes de sécurité.....	.. 19
Sécurité électrique.....	.. 19
Mises en garde conformément à la proposition 65 de l'État de Californie .....	.. 20
Transport .....	.. 20
<b>Avant de commencer .....</b>	<b>.. 21</b>
Installations combinées.....	.. 21
Pièces incluses.....	.. 21
Outils et pièces nécessaires .....	.. 21
Exigences d'alimentation et mise à la terre .....	.. 21
<b>Élimination de l'emballage .....</b>	<b>.. 21</b>
Retrait de l'emballage des fours simples et doubles intégrés.....	.. 21
<b>Exigences d'installation .....</b>	<b>.. 21</b>
Poids de l'électroménager .....	.. 21
Exigences concernant l'emplacement .....	.. 21
<b>Dimensions pour les fours simples de 30 po.....</b>	<b>.. 22</b>
Dimensions de l'appareil à four simple de 30 po ....	.. 22
Installation traditionnelle d'un four simple de 30 po.	.. 22
Installation affleurante d'un four simple de 30 po ....	.. 22
Installation sous le comptoir d'un four simple de 30 po.....	.. 23
<b>Dimensions du four double de 30 po.....</b>	<b>.. 23</b>
Dimensions de l'appareil à four double de 30 po ....	.. 23
Installation traditionnelle d'un four double de 30 po	.. 24
Installation affleurante d'un four double de 30 po....	.. 24
<b>Avant l'installation .....</b>	<b>.. 24</b>
Soulever l'appareil.....	.. 24
Retrait de la porte du four des fours conventionnels à charnière inférieure .....	.. 25
<b>Installation des fours dans l'armoire .....</b>	<b>.. 26</b>
Réinstallation de la porte du four.....	.. 27
<b>Raccordement électrique .....</b>	<b>.. 28</b>
Exigences électriques .....	.. 28
Emplacement de la prise de courant.....	.. 28
Acheminement du câble de conduit électrique .....	.. 28
Installation d'une connexion à quatre fils.....	.. 29
Installation d'une connexion à trois fils .....	.. 29
<b>Opération d'essai .....</b>	<b>.. 29</b>
<b>Support à la clientèle .....</b>	<b>.. 30</b>
Contacter le support à la clientèle .....	.. 30
Numéro de série (E-Nr.), numéro de fabrication (FD) et numéro de comptage (Z-Nr.).....	.. 30
Emplacement de la plaque signalétique.....	.. 30
Filtres, nettoyeurs, accessoires et pièces .....	.. 30
Home Connect™ .....	.. 30



# IMPORTANTES CONSIGNES DE SÉCURITÉ

LIRE ET CONSERVER CES INSTRUCTIONS

Veillez observer les consignes de sécurité afin de faire un usage sécuritaire de votre appareil.

## Définitions des termes de sécurité

Vous trouverez ici des explications sur les mots de signalisation de sécurité utilisés dans ce manuel.

### **⚠ AVERTISSEMENT – Risque de blessure !**

Signale un risque de mort ou de blessure grave si l'avertissement n'est pas respecté.

### **⚠ MISE EN GARDE – Risque de blessure !**

Signale un risque de blessures mineures ou modérées si l'avertissement n'est pas respecté.

### **AVIS :**

Ceci indique que la non-conformité à cet avis de sécurité peut entraîner des dégâts matériels ou endommager l'appareil.

**Remarque :** Ceci vous signale des informations et/ou indications importantes.

## Informations générales

Vous trouverez ici des informations générales sur ce manuel.

- Veuillez lire attentivement ce manuel.
- Respectez les consignes de sécurité et les avertissements.
- Conservez le manuel et les informations sur le produit dans un endroit sûr pour référence future ou pour le prochain propriétaire.
- Vérifiez que l'appareil n'est pas endommagé après l'avoir déballé. Ne branchez pas l'appareil s'il a été endommagé pendant le transport.

## Utilisation prévue

Lisez toutes les informations sur cet appareil, y compris son utilisation prévue.

Seul un professionnel qualifié peut connecter des appareils sans prise. Le fabricant n'est pas responsable des dommages causés par

des connexions incorrectes. Veuillez consulter la déclaration de garantie limitée du produit dans le manuel.

Utilisez uniquement cet appareil :

- dans les ménages privés (non commerciaux).

## Restriction sur le groupe d'utilisateurs

Évitez de mettre en danger les enfants et les personnes vulnérables.

- Cet appareil n'est pas destiné à être utilisé par des personnes (y compris des enfants) présentant des capacités physiques, sensorielles ou mentales réduites, à moins qu'elles n'aient été informées de la manière d'utiliser l'appareil par une personne responsable de leur sécurité.
- Ne laissez pas les enfants jouer avec l'appareil.
- Lorsque les enfants sont assez âgés pour utiliser l'appareil, il incombe aux parents ou tuteurs légaux de veiller à ce qu'ils soient formés aux pratiques sécuritaires par des personnes qualifiées.
- Les enfants doivent être surveillés afin de s'assurer qu'ils ne jouent pas avec l'appareil.

## Consignes générales de sécurité

Lisez ces instructions avant de commencer l'installation de votre appareil.

**IMPORTANT :** CONSERVEZ CES INSTRUCTIONS POUR L'UTILISATION DE L'INSPECTEUR ÉLECTRIQUE LOCAL.

**INSTALLATEUR :** LAISSER CES INSTRUCTIONS D'INSTALLATION AVEC L'UNITÉ POUR LE PROPRIÉTAIRE.

**PROPRIÉTAIRE :** VEUILLEZ CONSERVER CES INSTRUCTIONS POUR RÉFÉRENCE FUTURE.

## Risque de blessure

### **⚠ AVERTISSEMENT – Risque de blessure !**

- Si les consignes du présent manuel ne sont pas suivies à la lettre, il y a un risque d'incendie ou d'électrocution pouvant entraîner des dommages matériels ou des blessures.



# IMPORTANTES CONSIGNES DE SÉCURITÉ

LIRE ET CONSERVER CES INSTRUCTIONS

- Ne pas réparer, remplacer ni retirer toute pièce de l'électroménager à moins que cela ne soit spécifiquement recommandé par les manuels. L'installation, les réparations ou l'entretien inadéquats pourraient causer des blessures ou des dégâts matériels.
  - ▶ Consulter ce manuel pour les directives d'utilisation.
  - ▶ Toutes les autres réparations doivent être effectuées par un prestataire de services agréé.
- Lorsque vous installez une table de cuisson sur un seul four, veillez à suivre les instructions des manuels d'installation du four et de la table de cuisson.
- Ne jamais modifier ni altérer la structure de l'appareil électroménager.
  - ▶ Par exemple, ne retirez pas les pieds d'ajustement, les panneaux, les couvre-fils ou les vis ou supports anti-basculement.


## Risque d'asphyxie

- ⚠ AVERTISSEMENT – Risque d'asphyxie !**  
Retirer tout le ruban adhésif et l'emballage avant d'utiliser l'électroménager.
- ▶ Jetez l'emballage après avoir déballé l'électroménager.
  - ▶ Ne laissez jamais les enfants jouer avec le matériel d'emballage.

## Manipulation sécuritaire des appareils

Suivez ces instructions lorsque vous déplacez ou manipulez votre appareil.

## Risque de blessure

- ⚠ AVERTISSEMENT – Risque de blessure !**
-  L'unité est lourde et son déplacement exige au moins deux personnes ou encore un équipement approprié.
- ▶ Pour les fours doubles et triples, trois personnes ou plus sont nécessaires pour aider à soulever l'unité en place.
  - ▶ Ne pas soulever l'appareil par la poignée de porte.

- ▶ Retirez la porte pour une manipulation et une installation plus faciles. Voir les instructions dans ce manuel.

## Risque de coupure

### ⚠ AVERTISSEMENT – Risque de coupure !



- Certaines surfaces cachées peuvent avoir des rebords tranchants.
- ▶ Redoubler de vigilance quand vous passez la main derrière ou sous l'appareil électroménager.

## Codes et normes de sécurité

Cet appareil est conforme aux plus récentes versions de l'une ou plus des normes suivantes :

- CAN/CSA C22.2 no 61 - Cuisinières domestiques
- CSA C22.2 no 64 - Appareils ménagers de cuisson et de chauffage à liquide
- UL 1026 - Appareils électroménagers pour la cuisson et la préparation des aliments
- UL 858 - Cuisinières électriques domestiques

Il est de la responsabilité du propriétaire et de l'installateur de déterminer si des exigences et/ou des normes supplémentaires s'appliquent à des installations spécifiques.

## Sécurité électrique

Suivez ces consignes de sécurité pour éviter tout risque de choc électrique.

- **Installateur** : indiquez au propriétaire l'emplacement du disjoncteur ou du fusible. Identifiez sa position pour pouvoir le retrouver facilement.
- S'il y a lieu, conformément au Code national de l'électricité (ou au Code canadien de l'électricité), cet appareil doit être installé sur un circuit de dérivation séparé.
- Les codes locaux peuvent varier. L'installateur est responsable de s'assurer que l'installation, les connexions et la mise à la terre sont conformes à tous les codes



# IMPORTANTES CONSIGNES DE SÉCURITÉ

LIRE ET CONSERVER CES INSTRUCTIONS

applicables. Le fabricant n'est pas responsable des problèmes associés à une mauvaise installation de ce produit.

- Voir la fiche signalétique pour plus d'information.  
→ "Emplacement de la plaque signalétique", Page 30

## Risque d'électrocution

### ⚠ AVERTISSEMENT – Risque d'électrocution !

- Avant de mettre sous tension la source d'alimentation, vérifiez que toutes les commandes sont à la position OFF (Arrêt).



- **RISQUE D'ÉLECTROCUTION**
  - ▶ Débranchez l'alimentation avant l'installation ou l'entretien. Avant de rétablir l'alimentation, s'assurer que toutes les commandes sont à la position d'arrêt (OFF).
  - ▶ NE PAS enlever de raccords.
  - ▶ NE PAS utiliser de rallonge.
  - ▶ Une mise à la terre inadéquate peut entraîner un risque d'électrocution.
  - ▶ Tout manquement à ces directives peut entraîner la mort ou une électrocution, ou déclencher un incendie.
- Avant de brancher le cordon électrique, vérifiez que toutes les commandes sont à la position OFF (Arrêt).
- Avant l'installation, couper l'alimentation au panneau de service.
  - ▶ Verrouiller le panneau de service pour empêcher que l'alimentation ne soit rétablie par accident.
- **INSTRUCTIONS DE MISE À LA TERRE** Cet appareil électroménager doit être mis à la terre.
  - ▶ La mise à la terre réduit le risque de choc électrique en fournissant une voie sûre pour le courant électrique en cas de court-circuit.
  - ▶ Assurez-vous que l'appareil est correctement installé et mis à la terre par un technicien qualifié.

- ▶ L'installation, les raccordements électriques et la mise à la terre doivent être conformes avec tous les codes en vigueur.

## Mises en garde conformément à la proposition 65 de l'État de Californie

Ce produit pourrait contenir un produit chimique reconnu par l'État de la Californie comme cancérigène ou ayant des effets nocifs sur la reproduction. Par conséquent, vous pourriez devoir apposer l'étiquette suivante sur l'emballage du produit comme requis par la Californie :

**AVERTISSEMENT ISSUE DE LA PROPOSITION 65 DE L'ÉTAT DE LA CALIFORNIE :**

**⚠ AVERTISSEMENT**

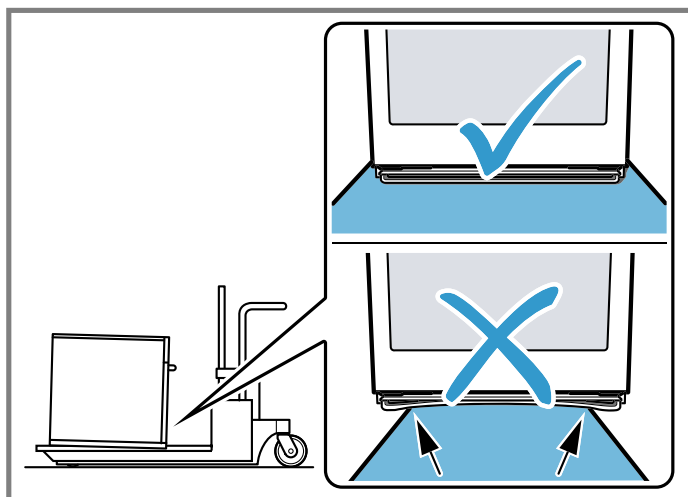
Cancer et dommages à la reproduction -  
[www.P65Warnings.ca.gov](http://www.P65Warnings.ca.gov)

## Transport

Suivez ces précautions lors du transport de votre appareil.

### AVIS :

Pour éviter d'endommager l'appareil, utilisez la méthode de transport indiquée sur l'image ci-dessous.



## Avant de commencer


Lisez ces instructions avant de commencer l'installation de votre appareil.

## Installations combinées

Pour les installations combinées avec d'autres produits Thermador (c.-à-d. table de cuisson au-dessus du four, fours côte à côte, etc.), reportez-vous au Guide de combinaison approuvé situé dans le jeu de manuels ou sur notre site Web pour les exigences de dégagement supplémentaires pour votre installation spécifique.

## Pièces incluses

Après avoir déballé le produit, inspectez toutes les pièces pour détecter d'éventuels dégâts dus au transport et pour vous assurer de l'intégralité de la livraison.

8 x ⊕		8 x vis de montage du four (situé dans le sac en polyéthylène rouge dans l'emballage de la casserole de gril) Se reporter à la notice jointe INSTALLATION DES VIS
-------	---	--

## Outils et pièces nécessaires

Préparez ces outils et accessoires avant de commencer à installer votre électroménager.

- Crayon
- Ruban à mesurer
- Niveau
- Tournevis à embout étoile T-20
- Tournevis cruciforme
- Perceuse avec mèche (1/8 po)
- Couteau
- Gants

## Exigences d'alimentation et mise à la terre

La prise de courant doit être correctement mise à la terre selon tous les codes applicables.

## Élimination de l'emballage

Protégez tout revêtement de sol fini avant de déplacer le four.

## Retrait de l'emballage des fours simples et doubles intégrés

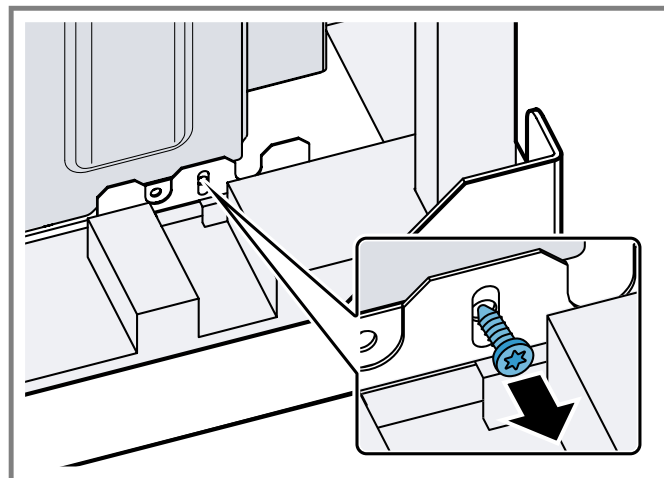
1. Coupez les sangles de la boîte.
2. Ouvrez le haut du carton et retirez le cadre supérieur en bois.
3. Retirez le carton en la soulevant à la verticale pour l'enlever de l'unité.

Alternativement, vous pouvez couper soigneusement le long de la ligne de coupe sur le côté arrière gauche du carton avec une lame plus courte que 3/4 po (20 mm).

4. Placez l'unité devant l'armoire où elle doit être installée. L'unité doit être alignée avec la découpe de l'armoire.

Laissez l'unité sur la base de l'emballage jusqu'à ce qu'elle soit prête à être soulevée dans la découpe de l'armoire.

5. Retirez tous les emballages de protection internes, les grilles, les accessoires et les manuels d'instructions de la cavité du four.
6. Retirez les supports d'emballage.
  - À l'aide d'un tournevis à embout étoile T-20, retirez les vis qui traversent les trous oblongs des supports de montage sur les côtés gauche et droit.
  - Ne retirez aucune autre vis du four.



- ✓ Le four est libéré de la base d'emballage.
  - ✓ Les supports restent dans la base d'emballage.
7. Laissez l'appareil sur la base de l'emballage jusqu'à ce que vous le souleviez dans la découpe de l'armoire ou sur le four inférieur.

## Exigences d'installation

Lisez ces instructions pour préparer l'espace d'installation de votre appareil.

## Poids de l'électroménager

La base de l'armoire doit supporter le poids de votre four comme indiqué dans ce tableau.

Type de four	Poids
Four simple de 30 po	232 lb (105 kg)
Four double de 30 po	390 lb (177 kg)

## Exigences concernant l'emplacement

Assurez-vous que votre emplacement d'installation remplit les conditions suivantes avant de commencer la procédure d'installation.

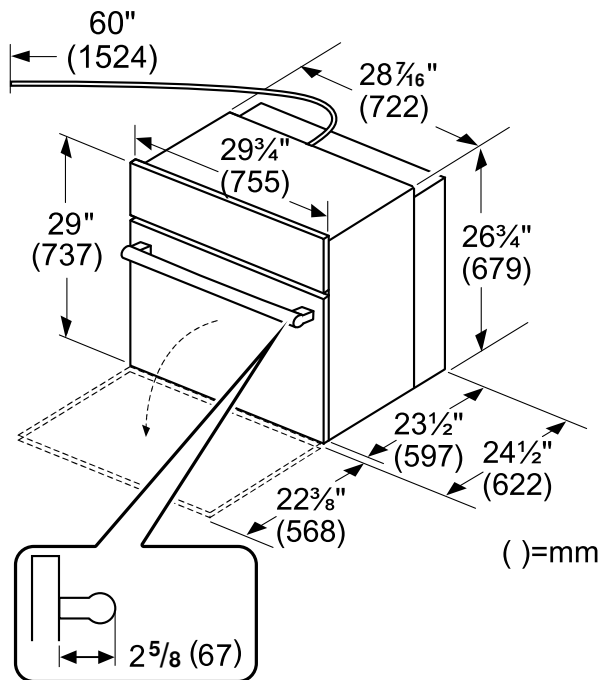
- Lorsqu'un four est installé à la fin d'une rangée d'armoire, à côté d'un mur perpendiculaire ou d'une porte d'armoire, laissez au moins 1/4 po (6,4 mm) d'espace entre le côté du four et le mur ou la porte.

- Installez des planches de 5,1 cm (2 po) sur 10,2 cm (4 po) qui s'étendent d'avant en arrière et qui sont de niveau avec le fond et le côté de l'ouverture pour servir de support au four.
- La base de support doit être bien fixée au sol ou à l'armoire et doit être de niveau.
- L'ouverture de l'armoire doit être d'aplomb et la base doit être plate et de niveau.
- Lors de l'installation d'un four à charnière latérale, laisser un dégagement d'au moins 10 po (254 mm) pour permettre l'ouverture de la porte.
- Les boîtes de raccordement peuvent être situées n'importe où, à la portée du câble d'alimentation du four.
- La base de l'armoire doit être plate et capable de supporter le poids de votre appareil. Consultez le "tableau des poids de l'appareil" → Page 21 pour connaître les exigences de votre four.
- Les dimensions sous le four sont fournies à titre indicatif et peuvent être ajustées au besoin en fonction d'une application particulière. Consultez un professionnel en design pour optimiser les préférences personnelles.

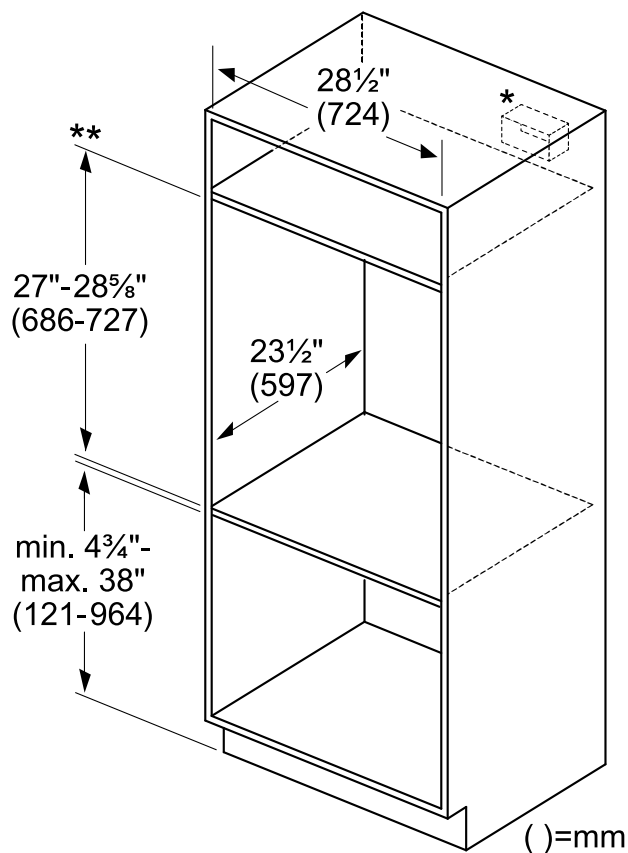
## Dimensions pour les fours simples de 30 po

Lisez ici les dimensions de l'appareil et de l'armoire pour les fours simples de 30 po.

## Dimensions de l'appareil à four simple de 30 po



## Installation traditionnelle d'un four simple de 30 po



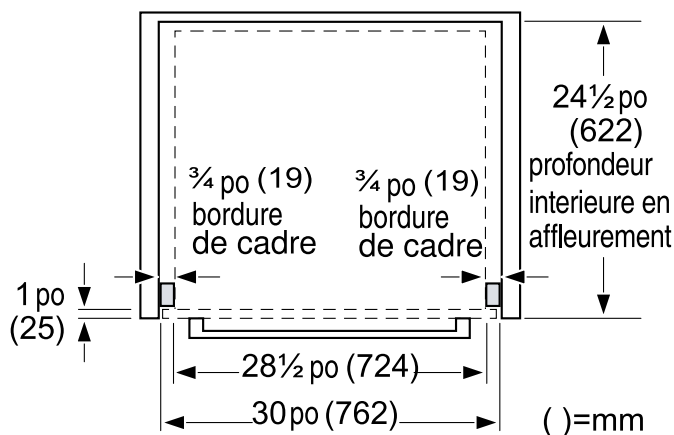
\* La boîte de jonction peut être située au-dessus, en dessous, à gauche ou à droite de l'unité à portée du conduit flexible.

\*\* Chevauchement du panneau de commande : min 3/8 po (10 mm) à max 2 po (51 mm).

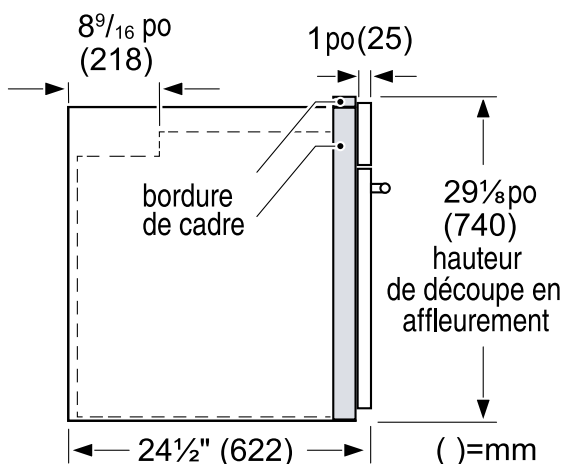
## Installation affleurante d'un four simple de 30 po

Une installation affleurée nécessite la fixation de deux taquets latéraux à l'intérieur du cadre de l'armoire, en retrait par l'avant.

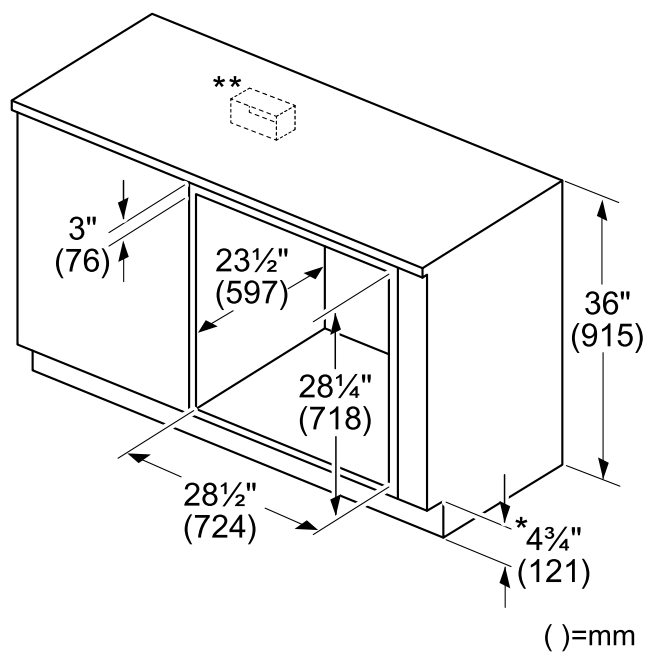
### Vue de dessus porte à charnières inférieure



Vue latérale



Installation sous le comptoir d'un four simple de 30 po



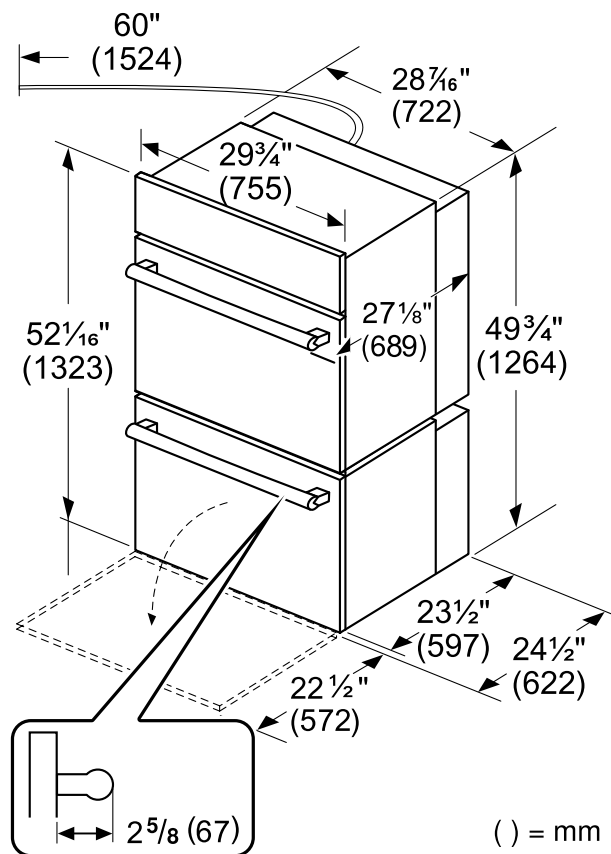
\* Comprend un socle de 3/4 po (19 mm).

\*\* La boîte de jonction peut être située à gauche ou à droite de l'unité à portée du conduit flexible.

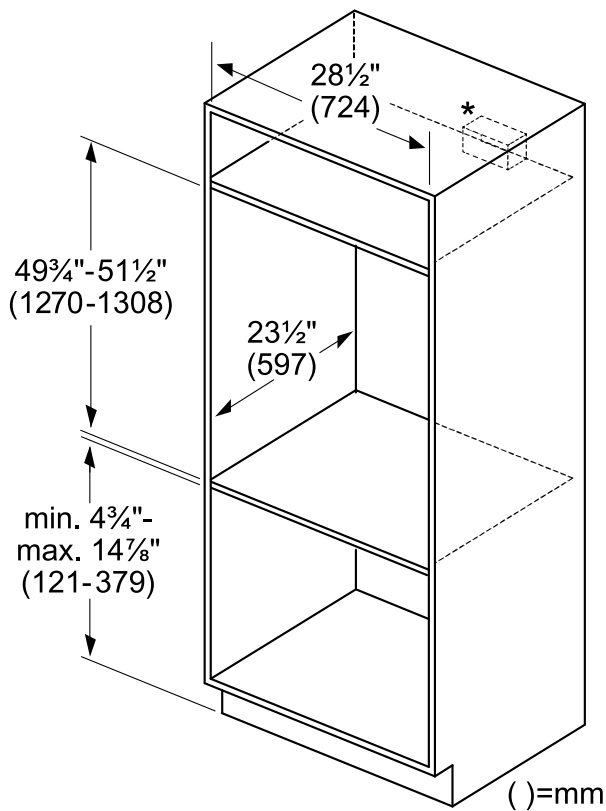
Dimensions du four double de 30 po

Lisez ici les dimensions de l'appareil et de l'armoire pour les fours doubles de 30 po.

Dimensions de l'appareil à four double de 30 po



## Installation traditionnelle d'un four double de 30 po



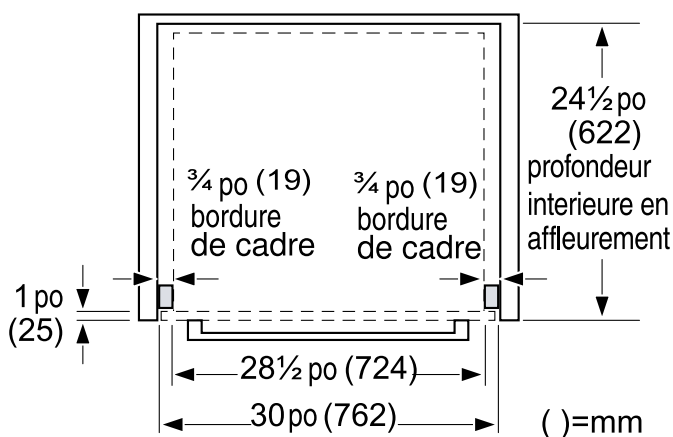
\* Emplacement de la boîte de jonction: au-dessus, à gauche ou à droite de l'unité à la portée du conduit flexible.

Chevauchement du panneau de commande : min  $\frac{3}{8}$  po (10 mm) à max 2 po (51 mm).

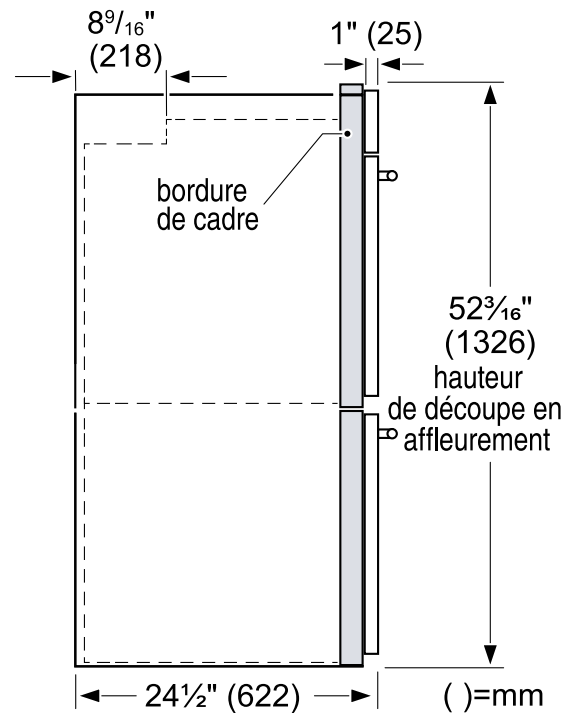
## Installation affleurante d'un four double de 30 po

Une installation affleurée nécessite la fixation de deux taquets latéraux à l'intérieur du cadre de l'armoire, en retrait par l'avant.

### Vue de dessus porte à charnières inférieure



### Vue latérale



## Avant l'installation

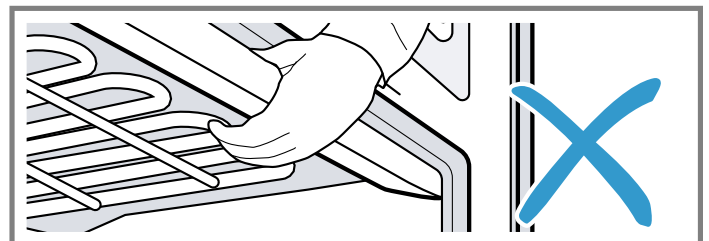
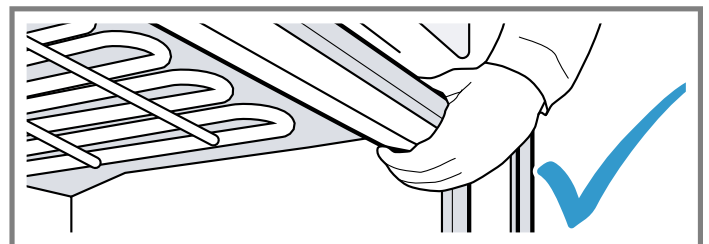
Effectuez ces étapes pour préparer votre appareil à l'installation.

## Soulever l'appareil

Suivez ces recommandations pour éviter les blessures et les dommages à l'appareil pendant le levage.

### ⚠ MISE EN GARDE Risque d'écrasement !

NE PAS essayer de soulever l'appareil en tenant l'élément chauffant supérieur du four.



- Retirez la porte du four à charnière inférieure avant l'installation pour accéder aux points de levage nécessaires et pour réduire considérablement le



pois de l'unité. Pour les fours doubles avec portes à charnière inférieure, vous pouvez retirer les deux portes du four.

→ "Retrait de la porte du four des fours conventionnels à charnière inférieure", Page 25

- Le four peut être difficile à manipuler pendant l'installation. Il est recommandé de faire intervenir trois personnes ou plus pour aider à soulever l'appareil afin de le mettre en place.
  - Il existe un rebord en travers de la partie supérieure avant de la cavité du four. Soulevez en saisissant cette arête d'une main tout en plaçant l'autre main à l'arrière de l'appareil. Si une troisième personne soulève l'appareil par le devant, elle devra se servir des deux mains pour saisir l'appareil à l'endroit où se trouve ce rebord.
- "Points de levage", Page 25
- La méthode de levage recommandée dépend du type de porte du four.

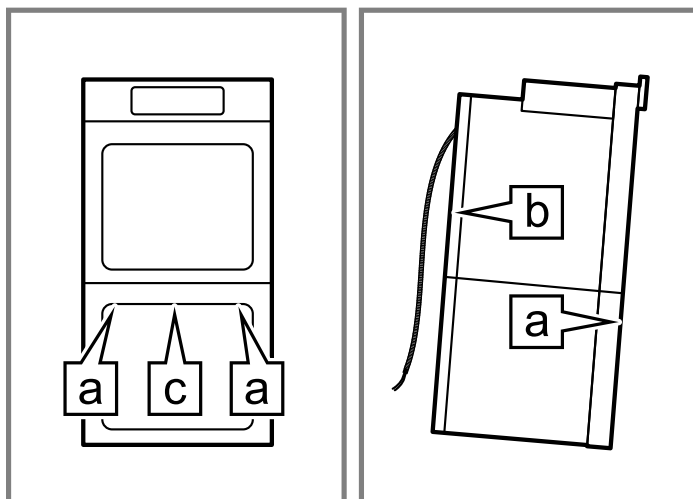
## Points de levage

Les personnes soulevant l'appareil doivent se tenir de chaque côté du four, en utilisant les points de levage spécifiés dans le tableau et les illustrations. Une troisième personne aidant à soulever l'appareil doit se tenir devant le four, face à la cavité du four.

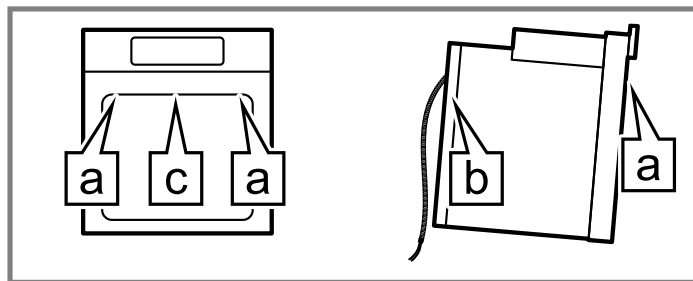
**Remarque :** Les points de levage sont indiqués avec la porte retirée.

Points de levage	Description
a	Emplacement avant de la main pour les aides qui se soulèvent des côtés de l'unité
b	Emplacement arrière de la main pour les aides qui se soulèvent des côtés de l'unité
c	Emplacement pour une troisième personne pour aider à soulever l'unité

## Fours doubles avec porte à charnière inférieure



## Fours simples avec porte à charnière inférieure



## Retrait de la porte du four des fours conventionnels à charnière inférieure

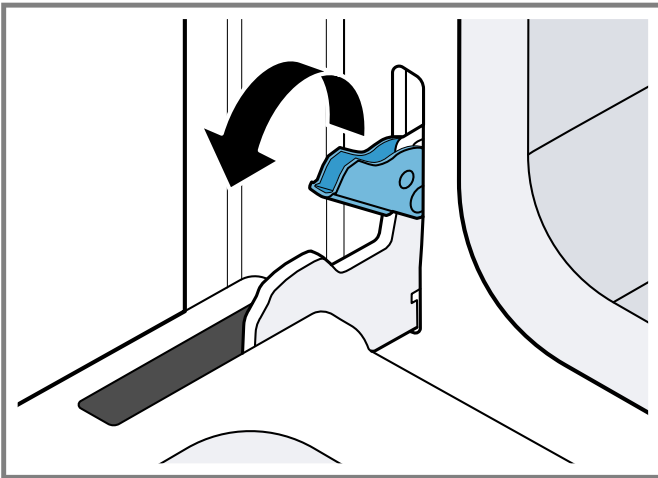
Il est recommandé de retirer la porte de la charnière inférieure des fours conventionnels pour réduire le poids de l'appareil et faciliter sa manipulation et son installation. Pour les fours doubles avec portes à charnière inférieure, vous pouvez retirer les deux portes du four.

### ⚠ AVERTISSEMENT Risque de blessure !

Le non-respect de ces instructions lors du retrait de la porte du four peut entraîner des blessures ou endommager le produit.

- ▶ Avant de démonter la porte, s'assurer que le four soit froid et que le courant qui l'alimente a été coupé.
    - ✓ Le non-respect de cette précaution pourrait entraîner un choc électrique ou des brûlures.
  - ▶ La porte du four est lourde et certaines parties sont fragiles. Utilisez les deux mains pour retirer la porte du four.
  - ▶ Le devant de la porte est en verre. Manipulez-la avec précaution pour éviter des cassures.
  - ▶ Saisir uniquement les côtés de la porte. Ne saisissez pas la poignée.
    - ✓ Il peut osciller dans votre main et provoquer des dommages ou des blessures.
    - ✓ Si la porte du four n'est pas saisie fermement et correctement, il y a un risque de blessure ou de dommage à l'appareil.
  - ▶ Pour éviter toute blessure causée par l'enclenchement soudain du support de charnière, s'assurer que les deux leviers sont bien enclenchés avant d'enlever la porte.
  - ▶ Ne forcez pas la porte pour l'ouvrir ou la fermer.
    - ✓ La charnière pourrait être endommagée et provoquer des dommages ou des blessures.
  - ▶ Ne pas déposer la porte sur des objets acérés ou pointus, car ils risquent de briser la vitre. Posez-la sur une surface plane et lisse, positionnée de manière à ce que la porte ne puisse pas tomber.
1. Ouvrez la porte du four dans sa position complètement ouverte.

2. Basculez les leviers des charnières vers vous.

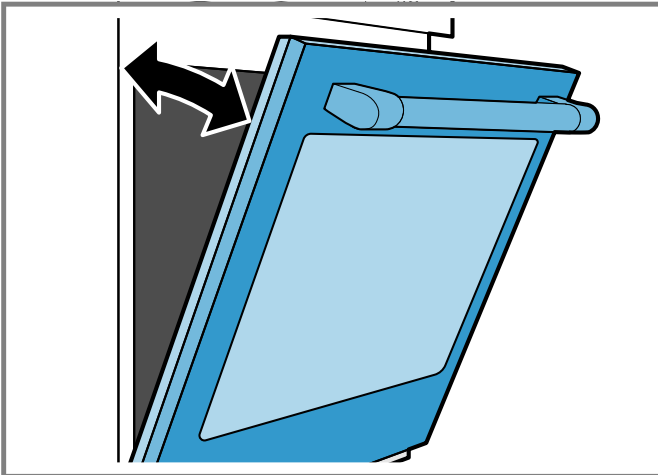


Si nécessaire, utilisez un outil, tel qu'un tournevis, pour retirer délicatement la partie supérieure du levier du boîtier. Veillez à ne pas rayer le boîtier.

3. Amenez les deux leviers de charnière de porte à leur position la plus basse. Les charnières gauche et droite de la porte diffèrent légèrement, mais fonctionnent de la même manière.

4. **⚠ MISE EN GARDE - Risque de blessure!** Suivez les instructions ci-dessous pour empêcher le loquet de se refermer et de pincer ou de vous couper la main.

Fermez la porte du four jusqu'à ce qu'elle s'accroche sur les leviers d'arrêt des charnières, verrouillant ainsi les charnières au bon angle pour le démontage de la porte.



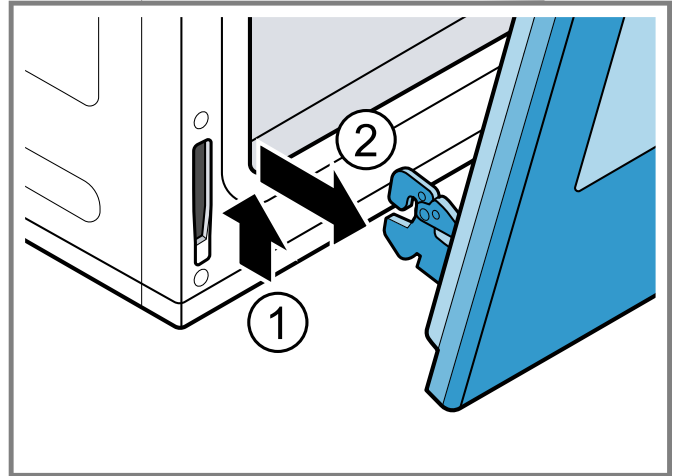
- ✓ La porte sera ouverte d'environ 7 po (18 cm) en haut.

5. **⚠ MISE EN GARDE - Risque de blessure!** La porte est lourde.

▶ Ne saisissez pas la porte par la poignée.

▶ Utilisez les deux mains pour le saisir fermement par les côtés.

En maintenant l'angle de la porte, soulevez la porte vers le haut d'environ 3/4 po (2 cm) pour décrocher les charnières des fentes, puis tirez-la vers vous jusqu'à ce que les charnières soient dégagées du boîtier du four.



6. Placez la porte dans un endroit pratique et stable. Ne posez pas la porte sur sa poignée. Cela pourrait provoquer des bosses ou des rayures.

## Installation des fours dans l'armoire

Suivez ces instructions pour installer votre appareil dans l'armoire.

### **⚠ MISE EN GARDE** **Risque de blessure !**

Il est recommandé de porter des vêtements de protection pendant le processus de levage.

- ▶ Portez des gants et des manches longues pour protéger les mains et les avant-bras de l'abrasion et des rayures potentielles.
- ▶ Enlevez montres et bijoux.
- ▶ Portez des chaussures de travail pour protéger vos pieds.

### **⚠ MISE EN GARDE** **Risque d'écrasement !**

- NE PAS essayer de soulever l'appareil en tenant l'élément chauffant supérieur du four.
- Trois personnes, ou l'équipement approprié, sont requis pour soulever de façon sécuritaire le four combiné dans l'ouverture de l'armoire.

### **Exigence**

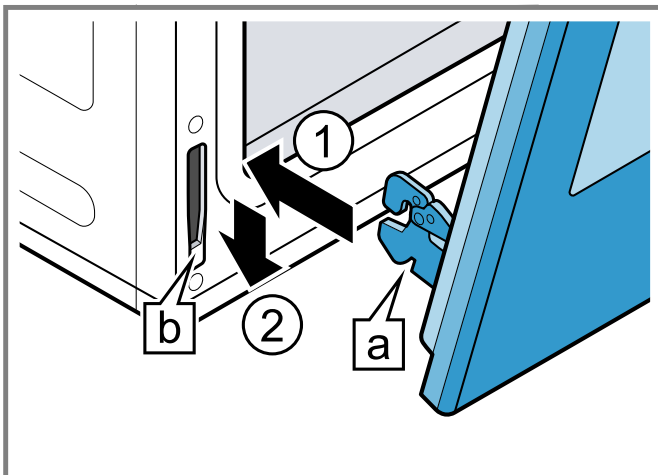
- Vous avez vérifié les dimensions de l'armoire et les connexions électriques.
- Vous avez retiré la porte du four.  
→ "Retrait de la porte du four des fours conventionnels à charnière inférieure", Page 25
- "Vous avez lu les recommandations de levage"  
→ Page 24.

1. Positionnez l'unité sur sa base d'emballage près de et devant l'ouverture de l'armoire.
2. Soulevez ou faites glisser l'unité dans la découpe de l'armoire. Ne laissez pas la base de l'unité entrer en contact avec le sol.
3. Glissez l'appareil directement vers l'arrière dans la découpe de l'armoire. Poussez l'appareil tout droit jusqu'à ce que la garniture du four soit à 2 po (5 cm) avant d'affleurer avec la paroi de l'armoire.
4. Vérifiez que le câble du conduit électrique n'est pas serti entre le four et la paroi arrière de l'armoire. Si nécessaire, guidez le câble du conduit électrique dans la paroi du trou d'accès à l'armoire afin qu'il n'empêche pas l'unité d'être poussée à fond dans l'ouverture de l'armoire.
5. Vérifiez que le four est droit et de niveau.
6. Encastrez l'appareil jusqu'au fond de la découpe de l'armoire. L'avant de l'appareil doit affleurer avec la façade de l'armoire.
7. Installez les vis fournies dans les trous de robinetterie de la garniture.

Reportez-vous à la notice d'installation de la vis ci-jointe.

## Réinstallation de la porte du four

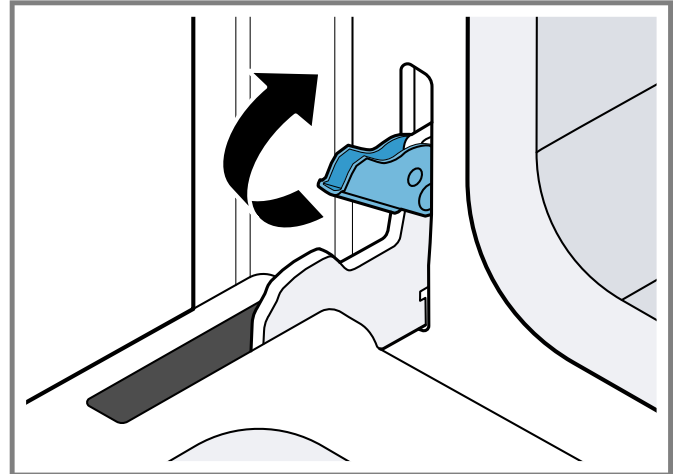
1. Maintenir fermement la porte des deux mains. Saisissez-le de chaque côté, pas par la poignée.
2. Incliner légèrement la porte vers soi, jusqu'à ce que sa partie supérieure s'ouvre d'environ 7 po (18 cm).
3. Faites glisser les charnières **a** dans les fentes **b** aussi loin que possible **1** et abaissez la porte vers le bas **2**.



L'angle de la porte peut nécessiter un léger ajustement pour permettre d'engager les charnières convenablement et d'abaisser la porte en place. La porte devrait s'abaisser d'environ  $\frac{3}{4}$  po (2 cm) et s'arrêter. Si ce n'est pas le cas, les charnières ne sont pas engagées correctement et la porte pourrait tomber si elle était libérée.

4. Une fois les deux charnières complètement engagées, ouvrez doucement la porte jusqu'à ce qu'elle soit complètement ouverte.

5. Poussez les loquets à levier sur les deux charnières vers le haut et l'avant, jusqu'à ce qu'ils s'enclenchent dans logements, affleurant à l'avant du four.



6. Fermer et ouvrir la porte lentement pour s'assurer qu'elle est correctement et solidement installée.

## Raccordement électrique

Lisez ces instructions pour connecter votre appareil en toute sécurité à l'alimentation électrique.

### Exigences électriques

Assurez-vous que votre installation électrique prend en charge les exigences suivantes. Cet appareil doit être alimenté avec la tension et la fréquence appropriées et connecté à un circuit de dérivation individuel correctement mis à la terre, protégé par un disjoncteur ou un fusible. Pour connaître le disjoncteur ou le fusible requis par votre modèle, consultez la plaque signalétique pour trouver la

consommation de puissance et reportez-vous au tableau des valeurs nominales pour obtenir l'ampérage du disjoncteur ou du fusible. Tous les modèles de four sur le capot avant de celui-ci manuel d'installation sont à double nominale, conçus pour être connectés à une alimentation électrique monophasée de 208 V ou 240 V CA, 60 Hz, 4 fils.

Modèle	Circuit requis	Watts @ 240 V	Circuit requis	Watts @ 208 V
ME301YP	30 A	6 400	30 A	4 800
ME302YP	40 A	8 500	40 A	6 500

### Emplacement de la prise de courant

Avant d'installer l'appareil, vérifiez l'emplacement de la prise de courant.

- Si l'alimentation électrique est située dans l'ouverture de l'armoire, la connexion électrique doit être effectuée avant de placer le four dans l'ouverture.
- Si l'alimentation électrique se trouve dans une armoire adjacente, une connexion électrique peut être effectuée après avoir placé le four dans l'ouverture.

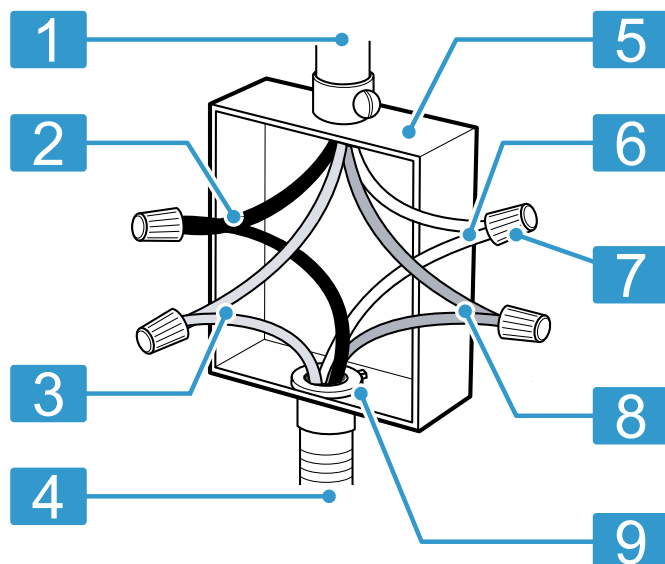
### Acheminement du câble de conduit électrique

#### Exigence

- Un trou dans l'armoire a été préparé pour acheminer le conduit électrique du four à la boîte de jonction.
- La facilité d'entretien doit être maintenue. Ne raccourcissez pas le câble du conduit électrique. Acheminez le câble du conduit électrique de manière à permettre le retrait temporaire du four.
- ▶ Le câble du conduit électrique pivote là où il est connecté au four. Faites pivoter le câble du conduit électrique vers le haut ou vers le bas et dirigez-le à travers le trou préparé dans l'armoire.

## Installation d'une connexion à quatre fils

1. **IMPORTANT** : Utilisez le câble à quatre fils de l'alimentation domestique aux États-Unis où les codes locaux ne permettent pas la mise à la terre par le biais d'installations de circuit neutres et neuves (NEC 1996), de maisons mobiles et de véhicules de loisirs, de nouvelles constructions et au Canada.

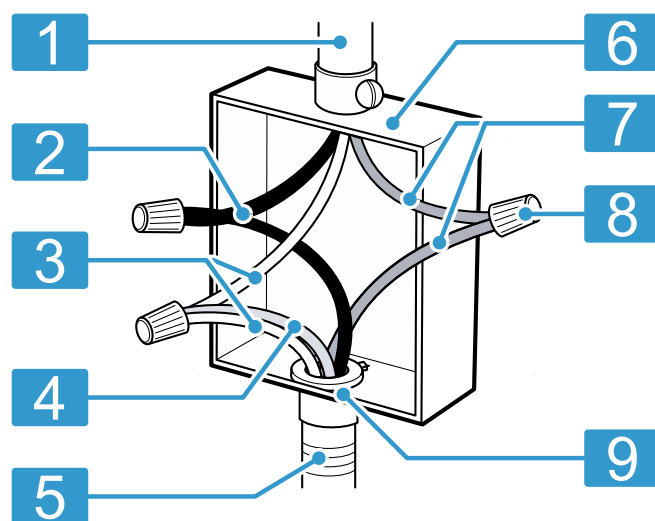


1	Câble d'alimentation électrique domestique
2	Fils noirs
3	Fils rouges
4	conduit flexible à 4 fils du four
5	Boîte de jonction
6	Fils blancs
7	Connecteurs pour fils homologués UL
8	Fil de terre vert (ou dénudé)
9	Connecteur de conduit homologué UL ou approuvé CSA

2. Branchez le fil de four rouge dans le fil d'alimentation électrique rouge (fil sous tension).
3. Branchez le fil de four noir sur le fil d'alimentation électrique (fil sous tension).
4. Raccordez le fil neutre blanc du four au fil d'alimentation électrique neutre blanc (pas au fil de mise à la terre dénudé ou vert).
5. Raccordez le fil de mise à la terre vert du four au fil de mise à la terre dénudé ou vert de l'alimentation électrique.

## Installation d'une connexion à trois fils

1. **IMPORTANT**: Use the three-wire cable from home power supply only where local codes permit a three-wire connection.



1	Cable from home power supply
2	Black wires
3	White wires
4	Green (or bare) ground wire (from oven)
5	4-wire flexible conduit from oven
6	Junction box
7	Red wires
8	UL listed wire connectors
9	UL listed or CSA approved conduit connector

2. Connect the red wire from the oven to the red wire in the junction box.
3. Connect the black wire from the oven to the black wire in the junction box.
4. Connect both green ground wire and white wire from the oven to the white, green or bare neutral wire in the junction box.

## Opération d'essai

Vérifiez si votre appareil fonctionne correctement après avoir terminé les étapes d'installation.

1. Mettez sous tension au disjoncteur.
2. Pour tester le four, sélectionnez le mode **cuisson**. Reportez-vous au manuel d'utilisation pour obtenir des instructions d'utilisation détaillées.
3. Vérifiez que l'éclairage du four s'allume et que le four se met à préchauffer.

4. Pour tester le verrouillage de la porte, sélectionnez le mode **nettoyage automatique**. Confirmez que la porte se verrouille lorsque l'icône de verrouillage s'affiche à l'écran.

## Support à la clientèle

Nous sommes heureux de vous aider avec les instructions de nettoyage et d'entretien, les accessoires, le dépannage, la planification des visites de service et plus encore.

Parcourez nos ressources en ligne, telles que les FAQ et les vidéos pratiques, ou appelez-nous.

## Contactez le support à la clientèle

Veillez noter le numéro de produit (E-Nr.), Le numéro de production (FD) et la numérotation consécutive (Z-Nr.) De votre appareil.

Ces informations figurent sur la plaque signalétique de l'appareil.

→ "Emplacement de la plaque signalétique", Page 30

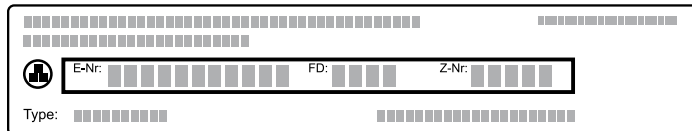
- États-Unis :  
800-735-4328  
[www.thermador.com/support](http://www.thermador.com/support)
- Canada :  
1-800-735-4328  
[www.thermador.ca](http://www.thermador.ca)

## Numéro de série (E-Nr.), numéro de fabrication (FD) et numéro de comptage (Z-Nr.)

Le numéro de série (E-Nr.), le numéro de fabrication (FD) et le numéro de comptage (Z-Nr.) sont indiqués sur la plaque signalétique de l'appareil.

La plaque signalétique avec les numéros se trouve à l'intérieur du hublot.

→ "Emplacement de la plaque signalétique", Page 30



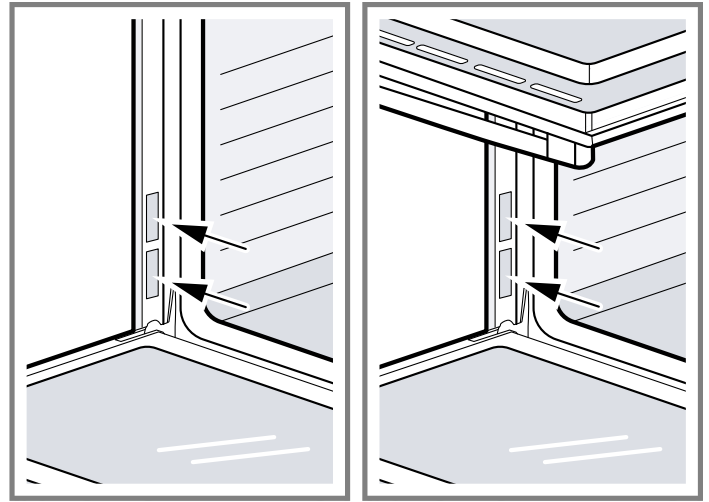
Pour retrouver rapidement les données de votre appareil et le numéro de téléphone du service à la clientèle, n'hésitez pas à les recopier ailleurs.

## Emplacement de la plaque signalétique

Référez-vous à cette section pour voir où se trouve la plaque signalétique de votre appareil.

## Plaque signalétique pour four simple et double

La plaque signalétique est située sur le côté gauche de la garniture de porte.



## Filtres, nettoyants, accessoires et pièces

Les filtres, détartrants, nettoyants, plaques de cuisson, pièces et plus peuvent être achetés Thermador en ligne.

- États-Unis :  
[www.store.thermador.com/us](http://www.store.thermador.com/us)
- Canada :  
Achetez via nos distributeurs :
  - Marcone : 1-800-287-1627
  - Reliable Parts : 1-800-663-6060

## Home Connect™

Connectez votre appareil via Home Connect™ l'application pour un monde de possibilités qui améliorent votre expérience de l'appareil.

Pour obtenir de l'aide pour vous connecter, contactez-nous au numéro de téléphone ci-dessus ou consultez les instructions ici : [www.home-connect.com/us/en/help-support/set-up](http://www.home-connect.com/us/en/help-support/set-up).

## Tabla de contenidos

### INSTRUCCIONES DE SEGURIDAD

<b>IMPORTANTES</b> ..	<b>32</b>
Definiciones de seguridad ..	32
Información general ..	32
Uso previsto ..	32
Restricciones relativas a grupos de usuarios.....	32
Instrucciones generales de seguridad.....	32
Seguridad de manejo del aparato ..	33
Códigos y normas de seguridad ..	33
Seguridad eléctrica ..	34
Advertencias en virtud de la Proposición 65 del estado de California ..	34
Transporte ..	34
<b>Antes de empezar</b> ..	<b>36</b>
Instalaciones combinadas.....	36
Partes incluidas ..	36
Herramientas y partes necesarias ..	36
Requisitos de potencia y de conexión a tierra ..	36
<b>Eliminación del embalaje</b> .....	<b>36</b>
Eliminación del embalaje de hornos individuales y dobles integrados ..	36
<b>Requisitos de instalación</b> ..	<b>36</b>
Peso del aparato ..	36
Requisitos de ubicación.....	37
<b>Medidas para hornos individuales de 30"</b> ..	<b>37</b>
Dimensiones del aparato: horno individual de 30"...	37
Horno individual de 30": instalación tradicional ..	38
Horno individual de 30": instalación enrasada ..	38
Horno individual de 30": instalación bajo cubierta ...	38
<b>Medidas para el horno doble de 30"</b> ..	<b>39</b>
Dimensiones de aparato: horno doble de 30" ..	39
Horno doble de 30": instalación tradicional.....	39
Horno doble de 30": instalación enrasada ..	39
<b>Antes de la instalación</b> ..	<b>40</b>
Elevación del aparato.....	40
Extracción de la puerta del horno (en modelos convencionales con bisagra inferior).....	41
<b>Instalación de los hornos en el gabinete</b> ..	<b>42</b>
Reinstalación de la puerta del horno ..	42
<b>Conexión eléctrica</b> ..	<b>44</b>
Requisitos eléctricos ..	44
Ubicación de la toma de corriente ..	44
Enrutado del tubo pasacables eléctrico ..	44
Instalación de una conexión de cuatro cables.....	45
Instalación de una conexión de tres cables ..	45
<b>Comprobación del funcionamiento</b> ..	<b>45</b>
<b>Soporte de asistencia técnica</b> ..	<b>46</b>
Contacto con el servicio de asistencia técnica ..	46
Número de producto (E-Nr.), número de fabricación (FD) y número de conteo (Z-Nr.) ..	46
Ubicación de la placa de características del aparato ..	46

Filtros, limpiadores, accesorios y componentes .....	46
Home Connect™ .....	46



# INSTRUCCIONES DE SEGURIDAD IMPORTANTES

LEA Y CONSERVE ESTAS INSTRUCCIONES

Tenga en cuenta la información relacionada con la seguridad para poder utilizar el aparato de forma segura.

## Definiciones de seguridad

Aquí puede encontrar explicaciones de las palabras de señal de seguridad utilizadas en este manual.

**⚠ ADVERTENCIA – ¡Riesgo de lesiones!**  
Esto indica que pueden producirse la muerte o heridas graves si no se cumple con esta advertencia.

**⚠ PRECAUCIÓN – ¡Riesgo de lesiones!**  
Esto indica que pueden producirse heridas leves o moderadas si no se cumple con esta advertencia.

### AVISO:

Esto indica que pueden producirse daños en el aparato o en los bienes si no se cumple con este aviso.

**Nota:** Esto alerta sobre información o sugerencias importantes.

## Información general

Esta sección ofrece información general sobre el presente manual.

- Leer detenidamente el presente manual.
- Tener en cuenta los avisos y las instrucciones de seguridad.
- Conservar el manual y la información del producto en un lugar seguro para futuras referencias o para el siguiente propietario.
- Comprobar posibles daños en el aparato una vez desembalado. No conectar el aparato si este ha sufrido algún daño durante el transporte.

## Uso previsto

Lea toda la información sobre el aparato, incluido su uso previsto.

Solo un profesional calificado puede conectar los aparatos sin los enchufes. El fabricante no es responsable de los daños que pueda causar una conexión incorrecta. Véase la declaración de garantía limitada del producto en manual.

Utilizar este aparato únicamente:

- en instalaciones domésticas (no comerciales).

## Restricciones relativas a grupos de usuarios

Es preciso evitar todo riesgo para niños y personas vulnerables.

- Este aparato no está diseñado para ser utilizado por personas (incluidos niños) con capacidades físicas, sensoriales o mentales reducidas, o falta de experiencia y conocimiento, a menos que sean supervisados o instruidos acerca del uso del aparato por una persona que sea responsable de su seguridad.
- No dejar que los niños jueguen con el aparato.
- Cuando los niños alcanzan la edad adecuada para utilizar el aparato, es responsabilidad de los padres o tutores legales asegurarse de que reciban las instrucciones sobre prácticas seguras por parte de personas calificadas.
- Se debe supervisar a los niños para asegurarse de que no juegan con el aparato.

## Instrucciones generales de seguridad

Leer las presentes instrucciones antes de proceder con la instalación del aparato.

**IMPORTANTE:** CONSERVAR ESTAS INSTRUCCIONES PARA QUE PUEDA USARLAS EL INSPECTOR DE ELECTRICIDAD LOCAL.

**INSTALADOR:** DEJAR ESTAS INSTRUCCIONES DE INSTALACIÓN JUNTO A LA UNIDAD, PARA EL PROPIETARIO.

**PROPIETARIO:** CONSERVAR ESTAS INSTRUCCIONES PARA FUTURAS REFERENCIAS.





# INSTRUCCIONES DE SEGURIDAD IMPORTANTES

LEA Y CONSERVE ESTAS INSTRUCCIONES

## Riesgo de lesiones

- ⚠ ADVERTENCIA – ¡Riesgo de lesiones!**
- Si no se sigue con exactitud la información de este manual, se puede producir un incendio o una descarga eléctrica que podrían causar daños materiales o lesiones personales.
  - No reparar, reemplazar ni retirar ninguna parte del aparato a menos que se recomiende específicamente en los manuales. La instalación, el servicio técnico o el mantenimiento incorrectos pueden causar lesiones o daños materiales.
    - ▶ Consultar este manual como guía.
    - ▶ Cualquier otra labor de mantenimiento debe de ser efectuada por un proveedor de servicios de mantenimiento autorizado.
  - Al instalar una placa de cocción sobre un horno individual, es preciso asegurarse de seguir las instrucciones de los manuales de instalación tanto del horno como de la placa de cocción.
  - No modificar ni alterar la construcción del aparato.
    - ▶ Por ejemplo, no retirar las patas de nivelación, los paneles, las cubiertas para cables ni los tornillos o soportes antivuelco.

## Riesgo de asfixia

- ⚠ ADVERTENCIA – ¡Riesgo de asfixia!**
- Retirar toda la cinta y el embalaje antes de usar el electrodoméstico.
- ▶ Destruir el embalaje después de desembalar el electrodoméstico.
  - ▶ No dejar nunca que los niños jueguen con el material de embalaje.

## Seguridad de manejo del aparato

Seguir estas instrucciones al desplazar o manipular el aparato.

## Riesgo de lesiones

- ⚠ ADVERTENCIA – ¡Riesgo de lesiones!**



- La unidad pesa mucho y se requieren al menos dos personas o un equipo adecuado para trasladarla.
- ▶ En el caso de los hornos dobles y triples, se necesitan tres personas o más para levantar la unidad y colocarla en su sitio.
  - ▶ No levantar el aparato agarrándolo del asa de la puerta.
  - ▶ Para un manejo y una instalación más cómodos, extraer la puerta. Véanse las instrucciones a tal efecto en el presente manual.

## Riesgo de cortes

- ⚠ ADVERTENCIA – ¡Riesgo de cortes!**



- Las superficies ocultas pueden tener bordes afilados.
- ▶ Proceder con cuidado al intentar sujetar el aparato por la parte trasera o desde abajo.

## Códigos y normas de seguridad

Este aparato cumple con la última versión de una o varias de las siguientes normas:

- CAN/CSA-C22.2 n.º 61: electrodomésticos de cocción
- CSA-C22.2 n.º 64: electrodomésticos de cocción y de calentamiento de líquidos
- UL 1026: electrodomésticos eléctricos de cocción y para servir comida
- UL 858: estufas eléctricas de uso doméstico

Es responsabilidad del propietario y del instalador determinar si son aplicables otros requisitos y/o normas en instalaciones específicas.



# INSTRUCCIONES DE SEGURIDAD IMPORTANTES

LEA Y CONSERVE ESTAS INSTRUCCIONES

## Seguridad eléctrica

Seguir estas instrucciones de seguridad para evitar riesgos de descarga eléctrica.

- **Instalador:** es preciso mostrar al propietario la ubicación del breaker del circuito o del fusible. Marcarla para recordarla más fácilmente.
- Si el Código Nacional Eléctrico (o el Código Eléctrico Canadiense) así lo exige, este aparato debe instalarse con un circuito dedicado por separado.
- Las normativas locales varían. El instalador es responsable de asegurarse de que la instalación, las conexiones y la puesta a tierra cumplan con todas las normativas aplicables. El fabricante no se hace responsable de los problemas asociados a un montaje incorrecto de este producto.
- Para obtener más información, consultar la placa de características.  
→ "Ubicación de la placa de características del aparato", Página 46

## Riesgo de descarga eléctrica

### **ADVERTENCIA – ¡Riesgo de descarga eléctrica!**

- Antes de conectar o encender la fuente de alimentación eléctrica, asegurarse de que todos los controles se encuentren en la posición OFF (Apagado).



### ■ **PELIGRO DE DESCARGA ELÉCTRICA**

- ▶ Desconectar la alimentación eléctrica antes de proceder a la instalación o al mantenimiento. Antes de encender la alimentación, es preciso asegurarse de que todos los controles estén en la posición OFF (apagado).
- ▶ NO quitar las conexiones.
- ▶ NO usar un cable de extensión.
- ▶ Una puesta a tierra incorrecta puede causar una descarga eléctrica.
- ▶ No seguir estas instrucciones puede producir la muerte, provocar un incendio o una descarga eléctrica.

- Antes de enchufar un cable eléctrico, asegurarse de que todos los controles se encuentren en la posición OFF (apagado).
- Antes de realizar la instalación, desconectar la alimentación eléctrica en el panel de servicio.
  - ▶ Bloquear el panel de servicio para impedir que se conecte accidentalmente la alimentación eléctrica.
- **INSTRUCCIONES PARA LA CONEXIÓN A TIERRA** Este aparato debe estar puesto a tierra.
  - ▶ La puesta a tierra reduce el riesgo de descargas eléctricas, ya que proporciona una vía de escape de la corriente eléctrica en caso de cortocircuito.
  - ▶ Asegurarse de que el aparato esté correctamente instalado y conectado a tierra por un técnico calificado.
  - ▶ La instalación, las conexiones eléctricas y la puesta a tierra deben cumplir con todas las normas aplicables.

## Advertencias en virtud de la Proposición 65 del estado de California

Este producto puede contener un químico que el Estado de California reconoce como potencialmente cancerígeno o causante de daños reproductivos. Por tanto, su producto debe llevar en su embalaje la siguiente etiqueta de conformidad con la legislación de California:

### **ADVERTENCIA EN VIRTUD DE LA PROPOSICIÓN 65 DEL ESTADO DE CALIFORNIA:**

#### **ADVERTENCIA**

Cáncer y daño reproductivo - [www.P65Warnings.ca.gov](http://www.P65Warnings.ca.gov)

## Transporte

Tomar las siguientes precauciones al transportar el aparato.

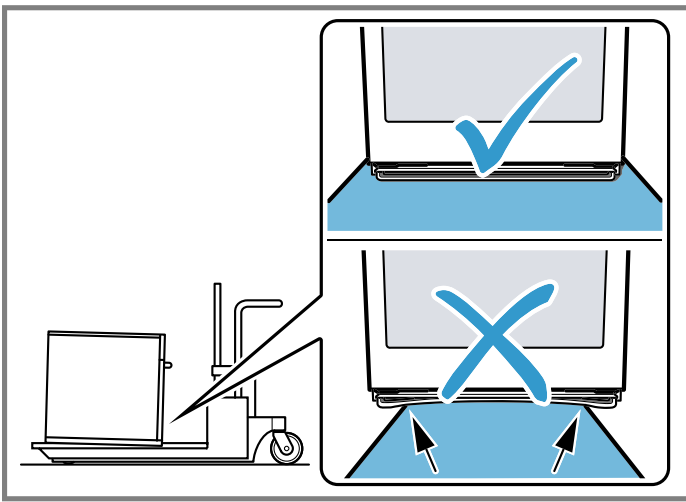
### **AVISO:**

Para evitar dañar el aparato, emplear el método de transporte que se muestra en la imagen siguiente.



# INSTRUCCIONES DE SEGURIDAD IMPORTANTES

LEA Y CONSERVE ESTAS INSTRUCCIONES



## Antes de empezar

Leer estas instrucciones antes de comenzar la instalación del aparato.

### Instalaciones combinadas

Para instalar el aparato junto a otros productos de Thermador (por ejemplo, instalar placas de cocción sobre el horno, instalar varios hornos uno al lado del otro, etc.), se deben consultar los requisitos específicos sobre la distancia entre aparatos que se pueden encontrar en la guía sobre combinaciones aprobadas incluida en el manual o en nuestro sitio web.

### Partes incluidas

Después de desembalar el aparato, verifique que todas las piezas no presenten daños ocasionados durante el transporte, así como que el volumen de suministro esté completo.

8 x ⊕		8 tornillos de montaje para el horno (guardados en la bolsa roja de plástico que se encuentra en el embalaje de la parrilla) Véase el folleto adjunto: INSTALACIÓN DE LOS TORNILLOS
-------	---	--

### Herramientas y partes necesarias

Preparar las siguientes herramientas y artículos antes de comenzar la instalación del aparato.

- Lápiz
- Cinta métrica
- Nivel
- Desarmador Torx T-20
- Desarmador Phillips
- Taladro con broca de 1/8"
- Cuchillo
- Guantes

### Requisitos de potencia y de conexión a tierra

El contacto para el enchufe debe incorporar una conexión a tierra adecuada de conformidad con todas las normas aplicables.

### Eliminación del embalaje

Proteger los acabados del piso antes de mover el horno.

### Eliminación del embalaje de hornos individuales y dobles integrados

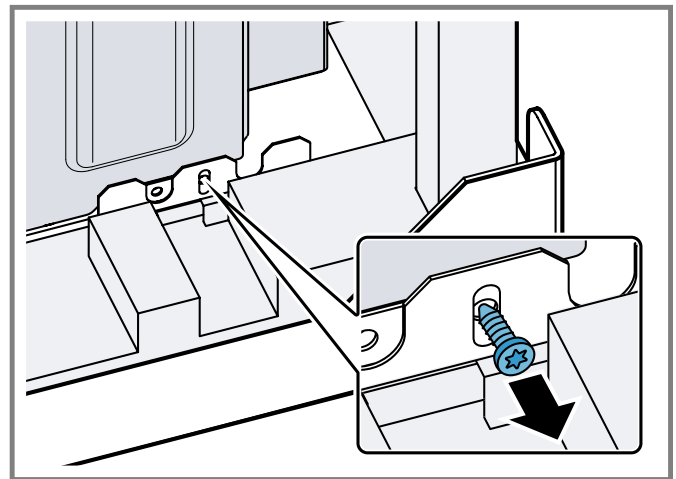
1. Cortar los flejes de la caja.
2. Abrir la parte superior del embalaje de cartón y retirar el marco de madera de la parte superior.
3. Retirar la caja de cartón; levantándola y sacándola de la unidad.

Alternativamente, es posible cortar con cuidado por la línea de corte del lateral trasero de la caja de cartón con una cuchilla de longitud inferior a 3/4" (20 mm).

4. Colocar la unidad delante del gabinete en el que se va a instalar. La unidad debe estar alineada con el hueco del gabinete.

La unidad debe permanecer en la base de embalaje hasta que esté preparada para colocarse en el hueco del gabinete.

5. Retirar todos los embalajes de protección internos, rejillas, accesorios y manuales de instrucciones del interior de la cavidad del horno.
6. Retirar las placas de fijación de los embalajes.
  - Con un desarmador Torx T-20, extraer los tornillos que atraviesan los orificios ranurados en los soportes de montaje de los lados izquierdo y derecho.
  - No extraer ningún otro tornillo del horno.



- ✓ El horno está ahora separado de la base de embalaje.
  - ✓ Los soportes se mantienen en la base del embalaje.
7. La unidad debe permanecer en la base de embalaje hasta el momento de elevarla y colocarla en el hueco del gabinete o sobre el horno inferior.

### Requisitos de instalación

Leer las presentes instrucciones para preparar el espacio de instalación del aparato.

### Peso del aparato

El gabinete de base debe poder soportar el peso del horno, según se especifica en la tabla siguiente.

Tipo de horno	Peso
Horno individual, 30"	232 lb (105 kg)
Horno doble, 30"	390 lb (177 kg)

## Requisitos de ubicación

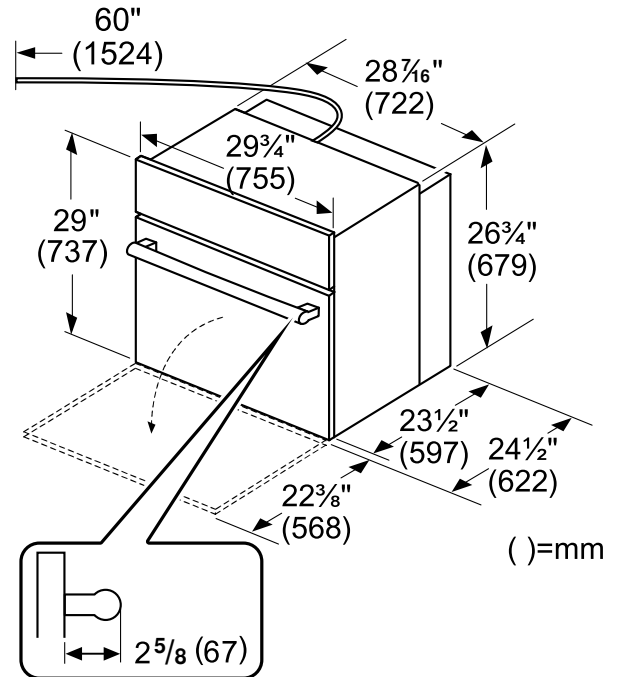
Antes de comenzar con el proceso de montaje, es preciso asegurarse de que la ubicación de montaje cumpla con los siguientes requisitos.

- Cuando se instala un horno al final de un gabinete en batería, junto a una pared perpendicular o a una puerta del gabinete, se aconseja dejar un espacio de, por lo menos, 1/4" (6.4 mm) entre el lado del horno y la pared o puerta.
- Para apoyar el horno, colocar tiras de 2" x 4" para ampliar el enrasado de adelante hasta atrás con la parte inferior y los laterales de la abertura.
- La base de apoyo debe estar bien asegurada al piso o gabinete y correctamente nivelada.
- La abertura del gabinete debe estar a plomada y la base debe ser plana y estar correctamente nivelada.
- Al instalar un horno con bisagra lateral, dejar como mínimo un espacio de 10" (254 mm) para permitir que la puerta se abra.
- Las cajas de conexiones se pueden ubicar en cualquier lugar al alcance del cable de corriente del horno.
- La base del gabinete debe ser plana y capaz de soportar el peso de la unidad. Consultar la "tabla de pesos de aparatos" → *Página 36* para conocer los requisitos para cada horno.
- Las medidas de debajo del horno son orientativas y se pueden ajustar en función de las necesidades de cada aplicación particular. Consultar a un profesional del diseño para optimizarlas según las preferencias personales.

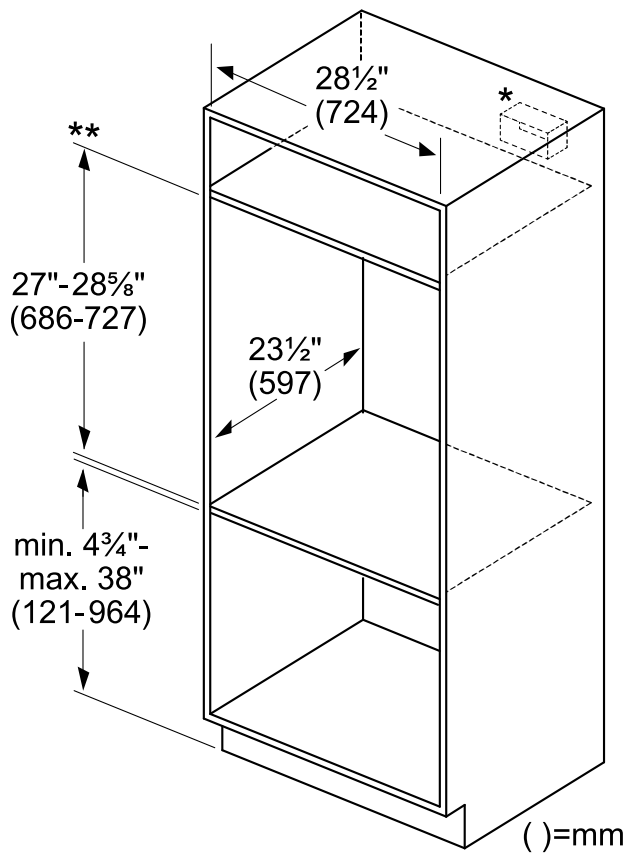
## Medidas para hornos individuales de 30"

Consultar esta sección para conocer las dimensiones de aparato y gabinete para hornos individuales de 30".

### Dimensiones del aparato: horno individual de 30"



## Horno individual de 30": instalación tradicional



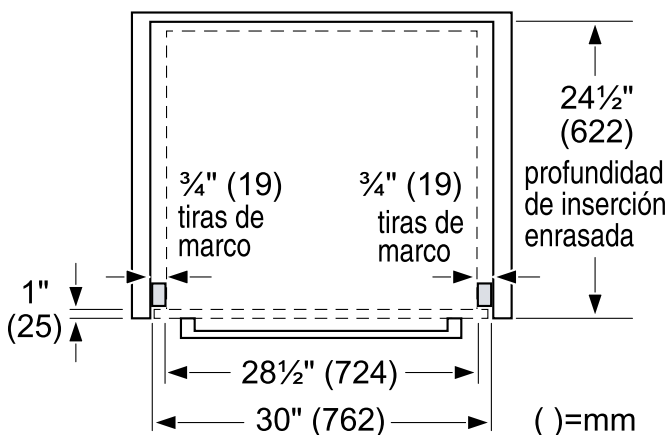
\*La caja de conexiones debe situarse encima o debajo, a la izquierda o a la derecha, de la unidad, al alcance del tubo flexible.

\*\*Superposición del panel de control: de 3/8" (10 mm) como mínimo a 2" (51 mm) como máximo.

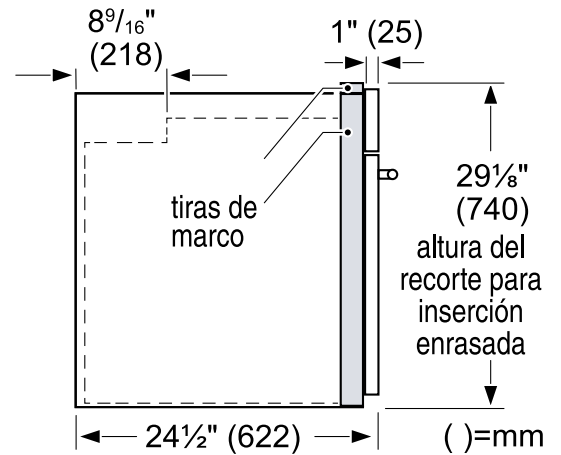
## Horno individual de 30": instalación enrasada

La instalación enrasada necesita dos refuerzos laterales fijados dentro del marco del gabinete, empotrados desde la parte delantera.

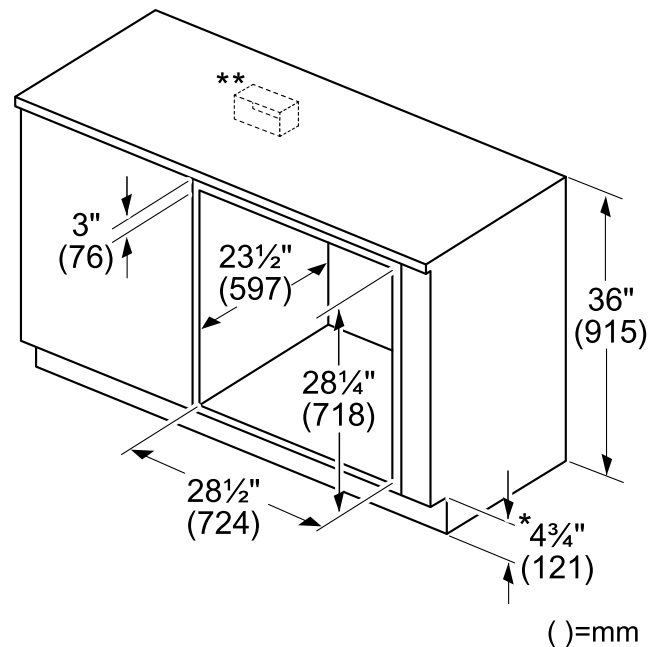
### Puerta con bisagra inferior, vista superior



### Vista lateral



## Horno individual de 30": instalación bajo cubierta



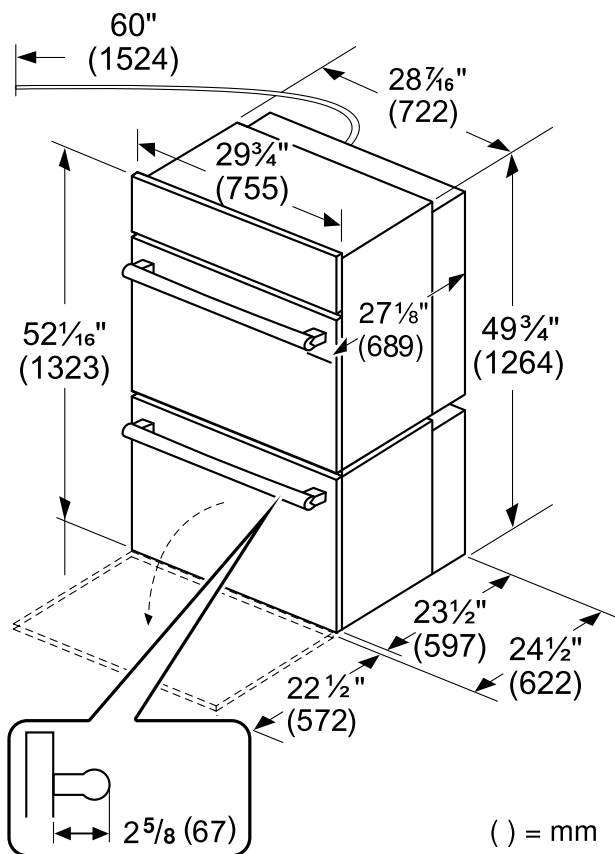
\*Incluye una placa de base de 3/4 pulgadas (19 mm).

\*\*La caja de conexiones debe situarse a la izquierda o a la derecha de la unidad, al alcance del tubo flexible.

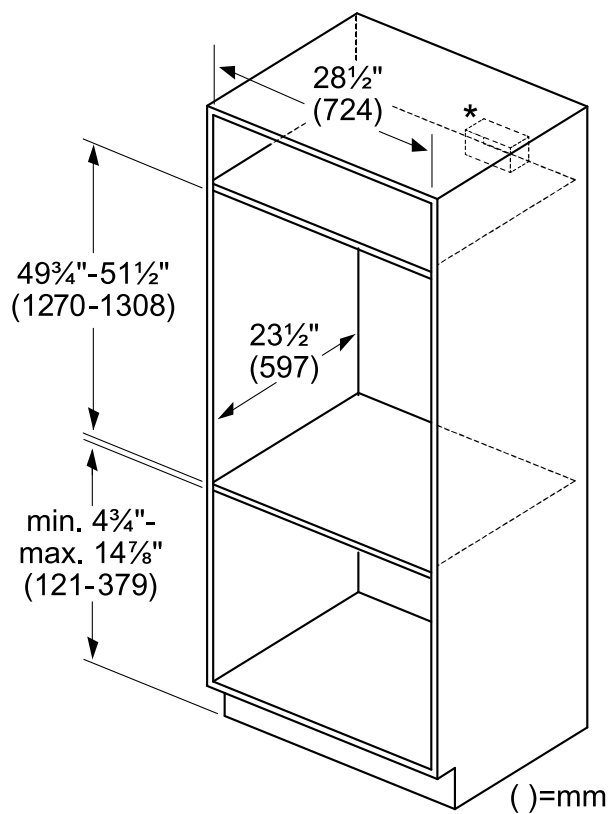
## Medidas para el horno doble de 30"

Consultar esta sección para conocer las dimensiones de aparato y gabinete para hornos dobles de 30".

### Dimensiones de aparato: horno doble de 30"



## Horno doble de 30": instalación tradicional



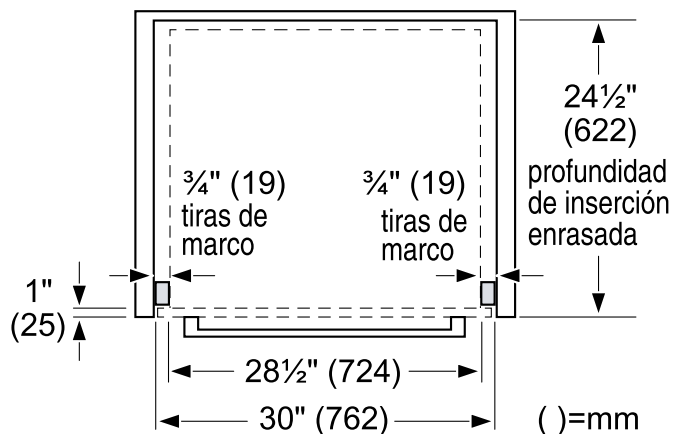
\*Ubicación de la caja de conexiones: arriba, a la izquierda o a la derecha de la unidad, al alcance del tubo flexible.

Superposición del panel de control: de 3/8" (10 mm) como mínimo a 2" (51 mm) como máximo.

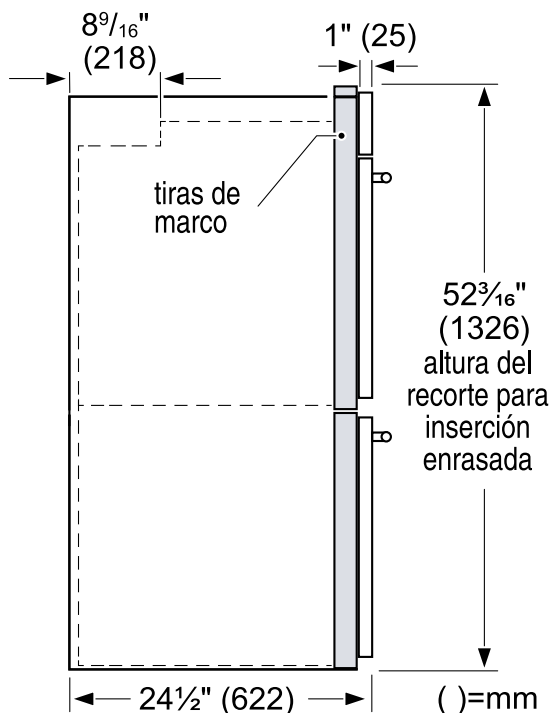
## Horno doble de 30": instalación enrasada

La instalación enrasada necesita dos refuerzos laterales fijados dentro del marco del gabinete, empotrados desde la parte delantera.

### Puerta con bisagra inferior, vista superior



Vista lateral



notablemente le peso de la unidad. En los hornos dobles con puertas con bisagra inferior, es posible retirar ambas puertas.

- "Extracción de la puerta del horno (en modelos convencionales con bisagra inferior)", Página 41
- El manejo del horno durante su instalación puede resultar difícil para solo dos personas. Se recomienda que estén disponibles tres personas o más para ayudar a levantar la unidad y colocarla en su sitio.
- Hay un reborde en todo el frontal superior de la cavidad del horno. Para levantarlo, agarrar este reborde con una mano y colocar la otra mano en la parte trasera de la unidad. Si hay un tercer ayudante que levanta desde el frontal, ambas manos deben sostener esta zona del reborde para levantarlo. → "Puntos de elevación", Página 40
- El método de elevación recomendado depende del tipo de puerta del horno.

**Puntos de elevación**

Las personas que elevan el aparato deben colocarse a cada lado del horno y utilizar los puntos de elevación que se especifican en la tabla y en las ilustraciones. Debe haber una tercer persona colocada frente a la cavidad del horno que ayude a levantar la unidad.

**Nota:** Los puntos de izado se muestran con la puerta extraída.

Puntos de elevación	Descripción
a	Posición frontal de la mano para los ayudantes que levanten desde los laterales de la unidad.
b	Posición trasera de la mano para los ayudantes que levanten desde los laterales de la unidad.
c	Posición de una tercera persona que ayude a levantar la unidad.

**Antes de la instalación**

Llevar a cabo los siguientes pasos para preparar el aparato para su instalación.

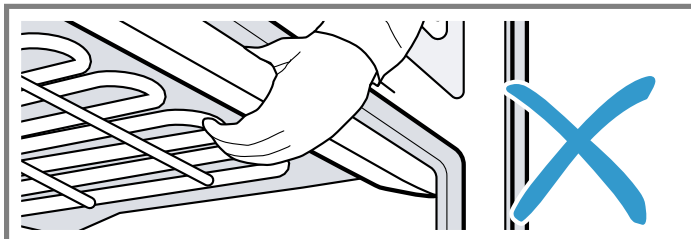
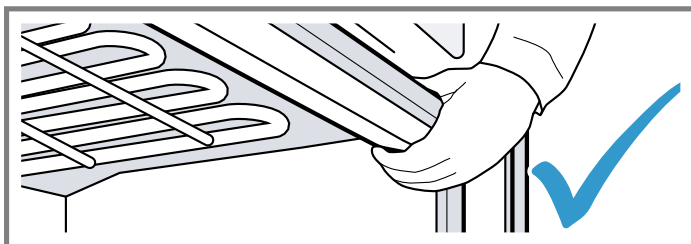
**Elevación del aparato**

Seguir las recomendaciones para evitar lesiones y daños en el aparato al elevarlo.

**⚠ PRECAUCIÓN**

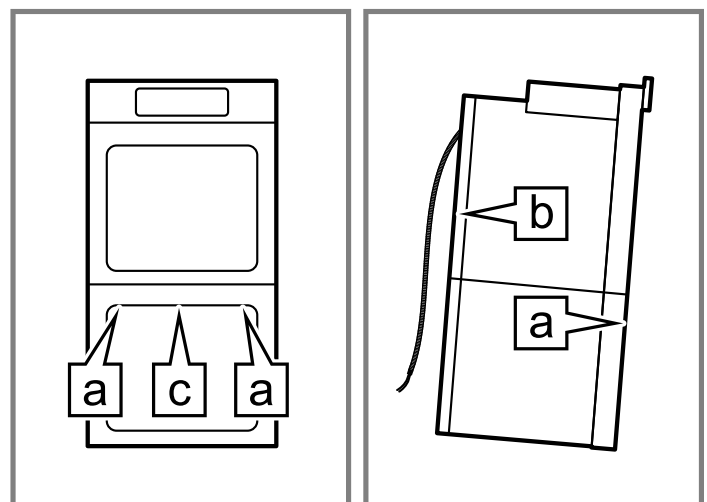
**Riesgo de aplastamiento!**

NO intentar levantar la unidad sosteniendo el elemento calefactor superior del horno.

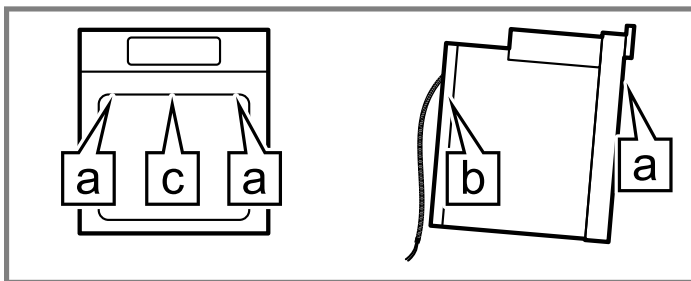


- Extraer la puerta del horno con bisagra inferior antes de proceder con la instalación para poder acceder a los puntos de elevación necesarios y para reducir

**Hornos dobles con puerta con bisagra inferior**





**Hornos individuales con puerta con bisagra inferior****Extracción de la puerta del horno (en modelos convencionales con bisagra inferior)**

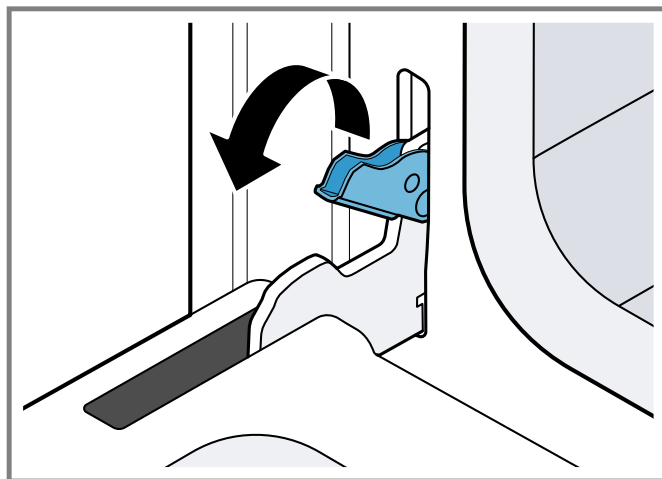
Se recomienda extraer la puerta del horno con bisagra inferior en los hornos convencionales, a fin de reducir el peso del aparato y así facilitar su manejo y su instalación. En los hornos dobles con puertas con bisagra inferior, es posible retirar ambas puertas.

**⚠ ADVERTENCIA**  
**Riesgo de lesiones!**

Si no se siguen las presentes instrucciones para retirar la puerta del horno, existe un riesgo de sufrir lesiones personales o dañar el producto.

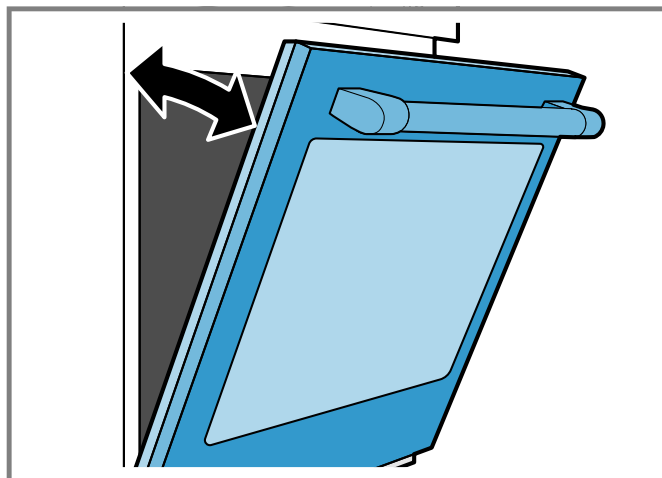
- ▶ Asegurarse de que el horno esté frío y de que se haya desconectado el aparato de la corriente eléctrica antes de retirar la puerta.
    - ✓ De no hacerlo, se puede producir una descarga eléctrica o quemaduras.
  - ▶ La puerta del horno es pesada y algunas de sus partes son frágiles. Usar las dos manos para extraer la puerta del horno.
  - ▶ La puerta frontal es de cristal. Es preciso manejarla con cuidado para evitar que se rompa.
  - ▶ Agarrar solo el lateral de la puerta del horno. No se debe agarrar por el asa;
    - ✓ podría resbalar en la mano y causar daños o lesiones.
    - ✓ Si no se agarra la puerta del horno con firmeza y adecuadamente, podrían producirse lesiones personales o daños en el producto.
  - ▶ Para evitar lesiones al cerrarse bruscamente la placa de fijación de la bisagra, asegurarse de que las dos palancas estén firmemente colocadas antes de quitar la puerta.
  - ▶ No forzar la apertura ni el cierre de la puerta;
    - ✓ se podría deteriorar la bisagra y se correría el riesgo de sufrir daños o lesiones.
  - ▶ No dejar la puerta extraída sobre objetos afilados o puntiagudos, ya que se podría romper el cristal. Colocarla sobre una superficie plana y suave para que no se caiga.
1. Abrir la puerta del horno hasta una posición completamente abierta.

2. Voltear las palancas de las bisagras hacia sí mismo.



En caso necesario, utilizar una herramienta, como un desarmador, para separar con cuidado la parte superior de la palanca fuera de la carcasa. Tener cuidado de evitar rayar la carcasa.

3. Poner ambas bisagras móviles de la puerta en su posición más baja posible. Las bisagras izquierda y derecha de la puerta difieren ligeramente, pero funcionan de la misma forma.
4. **⚠ PRECAUCIÓN - Riesgo de lesiones!** Seguir las instrucciones siguientes para evitar que el pestillo se cierre de repente; si esto ocurriese, existe el riesgo de pellizcarse o sufrir cortes en la mano.  
 Cerrar la puerta del horno hasta que se enganche en las palancas de tope de la bisagra, lo que bloquea las bisagras en el ángulo adecuado para extraer la puerta.



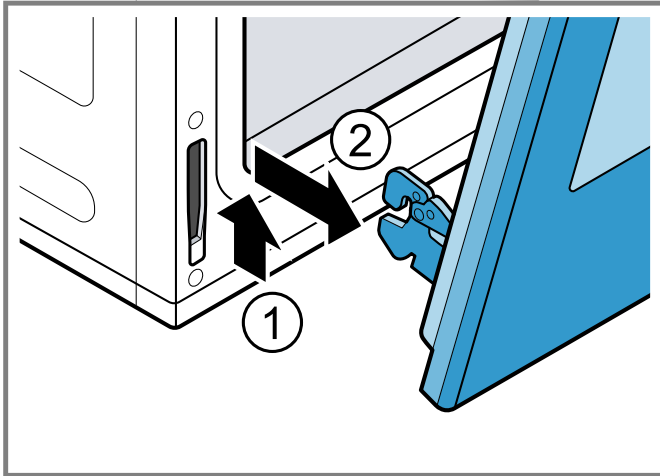
- ✓ La puerta quedará abierta unas 7 pulgadas (18 cm) en la parte superior.

5. **⚠ PRECAUCIÓN - Riesgo de lesiones!** La puerta pesa mucho.

▶ No sujetar la puerta por el asa.

▶ Usar ambas manos para sujetarla con firmeza por ambos lados.

Mantener el ángulo de la puerta, elevar la puerta recta aprox. 3/4 pulgadas (2 cm) para sacar las bisagras de las ranuras y después jalarla hacia uno hasta que las bisagras hayan salido de la caja del horno.



6. Colocar la puerta en una ubicación adecuada y estable.

No colocar la puerta recostada por el lado de su asa; esto podría provocar arañazos o abolladuras.

## Instalación de los hornos en el gabinete

Seguir las presentes instrucciones para instalar el aparato en el gabinete.

**⚠ PRECAUCIÓN**  
**Riesgo de lesiones!**

Se recomienda llevar ropa protectora durante el proceso de elevación.

- ▶ Se recomienda llevar guantes y ropa de manga larga para proteger las manos y los antebrazos contra la abrasión y posibles arañazos.
- ▶ Es preferible no llevar relojes ni joyas.
- ▶ Se aconseja llevar zapatos de trabajo para proteger los pies.

**⚠ PRECAUCIÓN**  
**Riesgo de aplastamiento!**

- NO intentar levantar la unidad sosteniendo el elemento calefactor superior del horno.
- Se necesitan tres personas o el equipamiento adecuado para levantar de forma segura el horno de combinación hasta la abertura del gabinete.

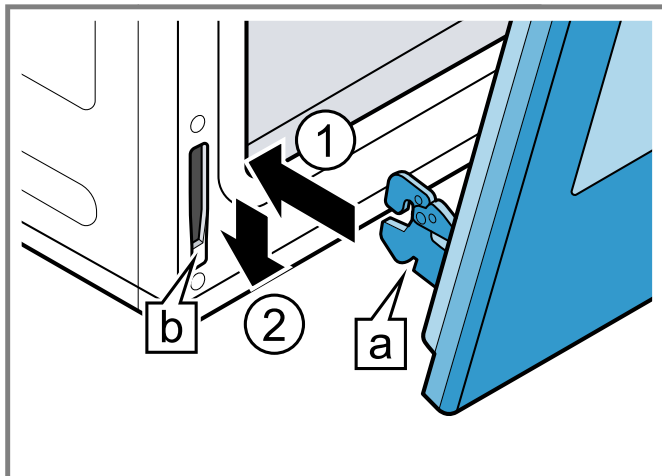
### Requisitos

- Deben haberse verificado las medidas del gabinete y las conexiones eléctricas.
  - Debe haberse extraído la puerta del horno.  
→ "Extracción de la puerta del horno (en modelos convencionales con bisagra inferior)", *Página 41*
  - "Deben haberse leído las recomendaciones de elevación" → *Página 40*.
1. Colocar la unidad, sobre su base de embalaje, cerca de la abertura del gabinete, concretamente frente a la misma.
  2. Elevar o deslizar la unidad en el espacio del gabinete. No dejar que la base de la unidad entre en contacto con el piso.
  3. Guiar la unidad directamente al hueco del gabinete. Empujar la unidad hacia adentro hasta que el borde del horno sobresalga unas 2 pulgadas (5 cm) del gabinete.
  4. Comprobar que el conducto de cables no esté aprisionado entre el horno y la pared trasera del gabinete. En caso necesario, guiar el conducto de cables en el orificio de acceso de la pared del gabinete, de modo que no evite que la unidad se pueda empujar en la abertura del gabinete.
  5. Comprobar que el horno esté recto y nivelado.
  6. Empujar la unidad hasta el fondo del hueco del gabinete hasta que su borde frontal quede al mismo nivel que el frontal del gabinete.
  7. Instalar los tornillos proporcionados en los orificios roscados de la moldura.  
Véase el folleto adjunto: MONTAJE DE LOS TORNILLOS.

## Reinstalación de la puerta del horno

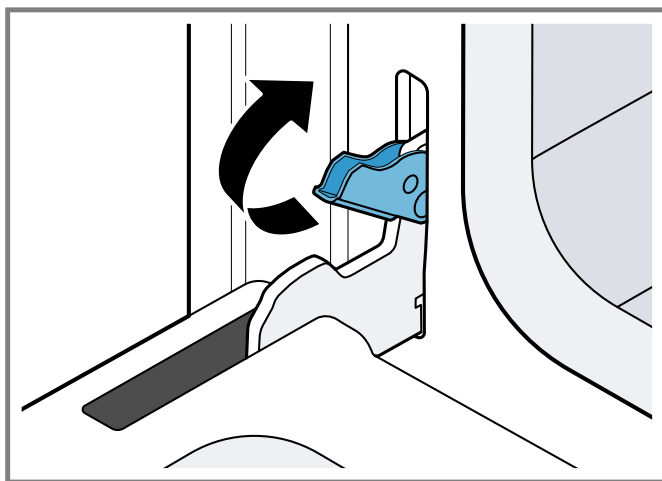
1. Sostener la puerta firmemente con ambas manos. Sujetarla por cada lado, no por el asa.
2. Inclinar la puerta ligeramente hacia ud. hasta que se abra aprox. 7" (18 cm) por su parte superior.

3. Deslizar las bisagras **a** en las ranuras **b** hasta el fondo **1** y después bajar la puerta hacia abajo, en dirección recta **2**.



Puede ser necesario ajustar el ángulo de la puerta ligeramente para permitir que las bisagras encajen adecuadamente y la puerta baje hasta su lugar. La puerta debe bajar aproximadamente tres cuartos de pulgada (2 cm) y detenerse; de no ser así, las bisagras no se han enganchado correctamente y la puerta podría caerse al soltarla.

4. Una vez que ambas bisagras estén totalmente encajadas, abrir con cuidado la puerta hasta que esté completamente abierta.
5. Presionar las palancas de ambas bisagras hacia arriba y adelante hasta que queden bloqueadas en la ranura y alineadas con el frente del cuerpo del horno.



6. Cerrar y abrir la puerta lentamente para asegurarse de que esté bien colocada y de forma segura.

## Conexión eléctrica

Leer las presentes instrucciones para conectar con seguridad el aparato al suministro eléctrico.

### Requisitos eléctricos

Es preciso asegurarse de que la instalación eléctrica sea compatible con los siguientes requisitos. El aparato debe recibir una voltaje y una frecuencia adecuadas, y debe estar conectado a un circuito dedicado independiente y con su correcta conexión a tierra, protegido por un breaker o un fusible. Para saber qué tipo de breaker o de fusible requiere cada modelo, véase la placa de características, en la que se

menciona el consumo de potencia en vatios, y consultar la tabla de clasificaciones para conocer el amperaje necesario del breaker o del fusible.

Todos los modelos de hornos que figuran en la cubierta frontal del presente manual de instalación cuentan con una clasificación doble, y están diseñados para su conexión a una red de alimentación monofásica de 4 hilos (4 cables) de 208 V o 240 V CA, 60 Hz.

Modelo	Circuito requerido	Vatios @ 240 V	Circuito requerido	Vatios @ 208 V
ME301YP	30 A	6400	30 A	4800
ME302YP	40 A	8500	40 A	6500

### Ubicación de la toma de corriente

Antes de instalar el aparato, comprobar la ubicación de la toma de corriente.

- Si el suministro eléctrico se ubica en la abertura del gabinete, es preciso realizar la conexión eléctrica antes de colocar el horno en la abertura.
- Si el suministro eléctrico se ubica en un gabinete adyacente, la conexión eléctrica puede realizarse después de colocar el horno en la abertura.

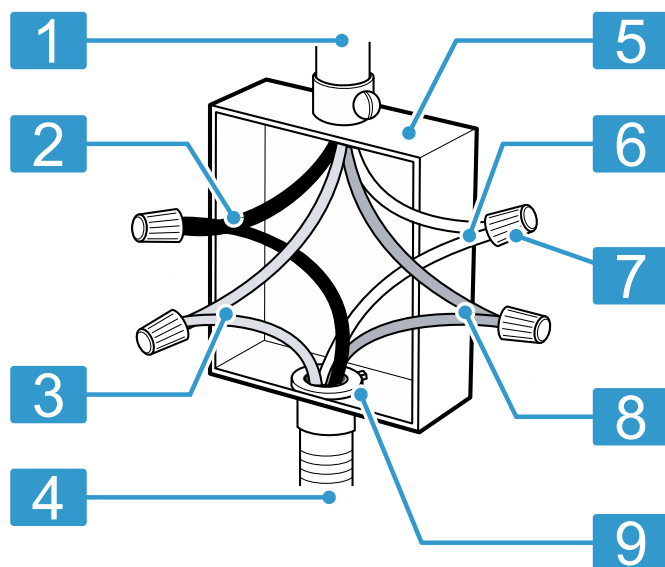
### Enrutado del tubo pasacables eléctrico

#### Requisitos

- Se debe haber preparado un orificio en el gabinete para enrutar el conducto eléctrico del horno a la caja de conexiones.
- Debe garantizarse que sea posible acceder para tareas de mantenimiento. No se debe acortar el tubo pasacables eléctrico. Enrutar el tubo pasacables eléctrico de modo que se pueda extraer temporalmente el horno.
- ▶ El conducto de cables de electricidad gira en el punto en el que se conecta al horno. Girar el conducto de cables de electricidad hacia arriba o hacia abajo y dirigirlo a través del orificio preparado en el gabinete para ese propósito.

## Instalación de una conexión de cuatro cables

1. **IMPORTANTE:** utilizar la conexión de cuatro cables del suministro eléctrico doméstico en EE. UU. en aquellas ubicaciones en que las normativas locales no permitan la conexión del neutro a tierra, en nuevas instalaciones de circuitos derivados (1996 NEC), caravanas y vehículos recreativos, nuevas construcciones y en Canadá.

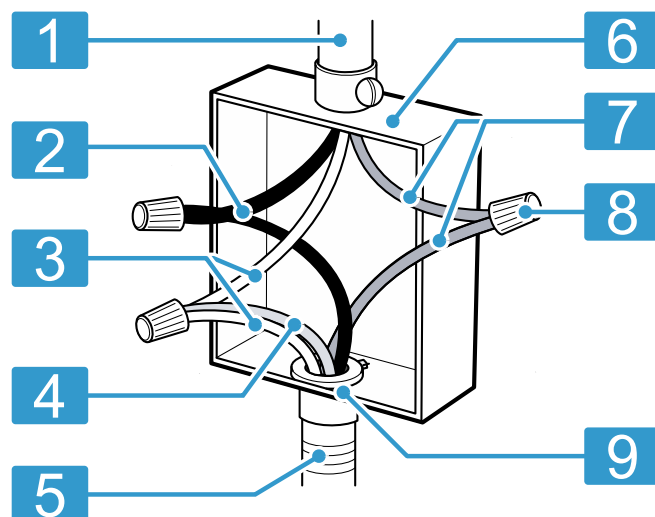


1	Cable de alimentación eléctrica doméstica
2	Cables negros
3	Cables rojos
4	Conducto flexible de cuatro cables procedente del horno
5	Caja de conexiones
6	Cables blancos
7	Conectores de cable con certificación UL
8	Cable verde (o desnudo) de conexión a tierra
9	Tubo conector con homologación CSA o certificación UL

- Conectar el cable rojo del horno al cable rojo del suministro eléctrico (cable con corriente).
- Conecte el cable negro del horno al cable negro del suministro eléctrico (cable con corriente).
- Conectar el cable neutro blanco del horno al cable neutro blanco del suministro eléctrico (no al cable de conexión a tierra desnudo o verde).
- Conectar el cable de conexión a tierra verde del horno al cable de conexión a tierra desnudo o verde del suministro eléctrico.

## Instalación de una conexión de tres cables

1. **IMPORTANT:** Use the three-wire cable from home power supply only where local codes permit a three-wire connection.



1	Cable from home power supply
2	Black wires
3	White wires
4	Green (or bare) ground wire (from oven)
5	4-wire flexible conduit from oven
6	Junction box
7	Red wires
8	UL listed wire connectors
9	UL listed or CSA approved conduit connector

- Connect the red wire from the oven to the red wire in the junction box.
- Connect the black wire from the oven to the black wire in the junction box.
- Connect both green ground wire and white wire from the oven to the white, green or bare neutral wire in the junction box.

## Comprobación del funcionamiento

Una vez completados los pasos de instalación, comprobar si la unidad funciona correctamente.

- Encender la energía eléctrica en el breaker.
- Para comprobar el funcionamiento del horno, seleccionar el modo de **horneado**. Véase el manual de usuario para consultar las instrucciones de funcionamiento detalladas.

3. Verificar que la luz del horno se encienda y que el horno comience a precalentar.
4. Para comprobar el funcionamiento del cierre de la puerta, seleccionar el modo de **autolimpieza**. Confirmar que la puerta se bloquea cuando aparece el símbolo de bloqueo en el display.

## Soporte de asistencia técnica

Nos encantará asistirle con las instrucciones de limpieza y cuidado, accesorios, solución de problemas, visitas del servicio técnico y más.

Explore nuestros recursos en línea, como nuestras preguntas frecuentes y videos tutoriales, o llámenos.

## Contacto con el servicio de asistencia técnica

Es preciso tener preparados el número del producto (E-Nr.), el número de fabricación (FD) y la numeración consecutiva (Z-Nr.) del aparato.

Estos datos se encuentran en la placa de características del aparato.

→ "Ubicación de la placa de características del aparato", *Página 46*

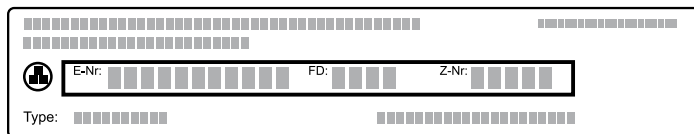
- EE. UU.:  
800-735-4328  
[www.thermador.com/support](http://www.thermador.com/support)
- Canadá:  
1-800-735-4328  
[www.thermador.ca](http://www.thermador.ca)

## Número de producto (E-Nr.), número de fabricación (FD) y número de conteo (Z-Nr.)

El número de producto (E-Nr.), el número de fabricación (FD) y el número de conteo (Z-Nr.) se encuentran en la placa de características del aparato.

La placa de características con los correspondientes números se encuentra al abrir la puerta del aparato.

→ "Ubicación de la placa de características del aparato", *Página 46*



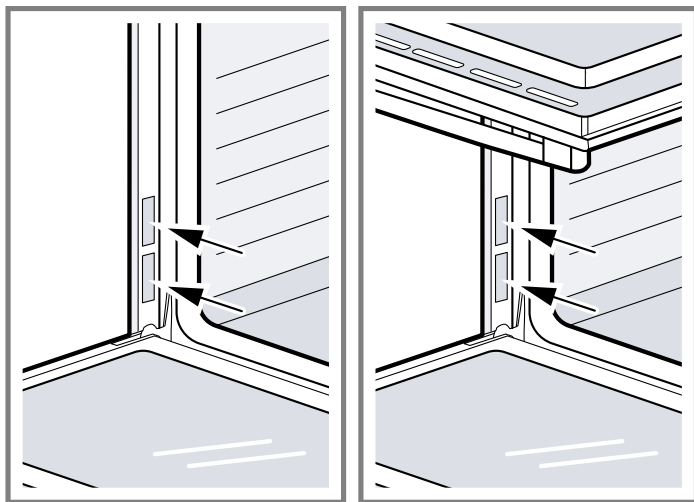
Para volver a encontrar rápidamente los datos del aparato o el número de teléfono del servicio de atención al cliente, puede anotar dichos datos.

## Ubicación de la placa de características del aparato

Consultar esta sección para descubrir dónde se sitúa la placa de características del aparato.

## Placa de características del horno individual y doble

La placa de características se encuentra en el lateral izquierdo de la moldura de la puerta.



## Filtros, limpiadores, accesorios y componentes

Es posible adquirir filtros, descalcificadores, limpiadores, parrillas, componentes y mucho más en línea, en Thermador.

- EE. UU.:  
[www.store.thermador.com/us](http://www.store.thermador.com/us)
- Canadá:  
Compras a través de nuestros distribuidores:
  - Marcone: 1-800-287-1627
  - Reliable Parts: 1-800-663-6060

## Home Connect™

Conecte el aparato a través de la aplicación Home Connect™ para descubrir el mundo de posibilidades que le permitirá mejorar su experiencia de usuario.

Si necesita asistencia para conectarlo, contáctenos en el número de teléfono facilitado más arriba o consulte las instrucciones aquí: [www.home-connect.com/us/en/help-support/set-up](http://www.home-connect.com/us/en/help-support/set-up).



A series of horizontal lines for writing, starting from the top of the page and extending to the bottom. The lines are evenly spaced and cover the majority of the page's width.



1901 MAIN STREET, SUITE 600 IRVINE, CA 92614 // 1-800-735-4328 // WWW.THERMADOR.COM  
© 2020 BSH HOME APPLIANCES CORPORATION  
8001189463 // en-us, fr-ca, es-mx // 001112