

# MC12DB8700CK

SAMSUNG

1.2 cu. ft. Countertop Convection Microwave with Air Fry



## Available Color



**Black Glass**  
MC12DB8700CK

## Features

- Power Convection
- Air Fry
- PowerGrill Duo™
- 30" Trim Kit Available
- Ceramic Enamel Interior
- Glass-Touch Controls
- 1.2 cu. ft. Capacity
- Grilling Element with Round Rack & Platter
- LED Display
- Drop-Down Door Design
- Cooking Presets
- Eco Mode

## Convenience

- Child Safety Lock
- Clock (12 hr/24 hr)
- Reminder End Signal
- Sound On/Off

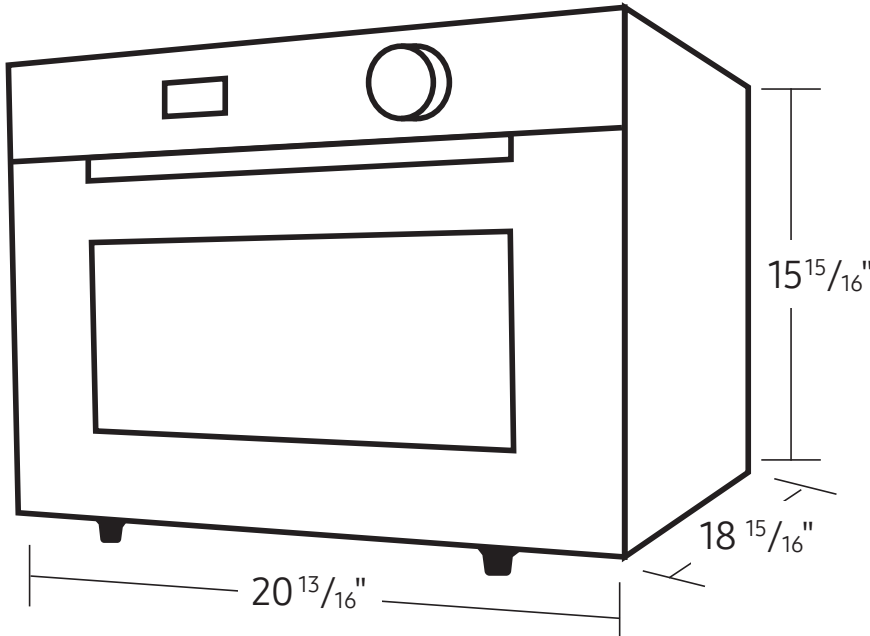
## Additional Specifications

- Oven Cavity: 1.2 cu. ft.
- Power Output:
  - Microwave: 900W
  - PowerDuo Grill™: 1600W
  - Power Convection: 1650W
- Power Source: 120V/60HZ
- Power Consumption: 1600W
- Control Method: Glass-Touch
- Display: LED
- Cooking Control: 10 Power Levels
- Microwave Distribution System: Turntable

# MC12DB8700CK

SAMSUNG

1.2 cu. ft. Countertop Convection Microwave with Air Fry



## Warranty

One (1) Year Parts and Labor  
Ten (10) Years Parts Warranty for Magnetron

## Dimensions

### Product Dimensions & Weight (WxHxD)

Cavity Dimensions:

15<sup>3</sup>/<sub>4</sub>" x 8<sup>5</sup>/<sub>8</sub>" x 15<sup>5</sup>/<sub>8</sub>"

Outside Net Dimensions:

20<sup>13</sup>/<sub>16</sub>" x 15<sup>15</sup>/<sub>16</sub>" x 18<sup>15</sup>/<sub>16</sub>"

Weight: 62.8 lb

### Shipping Dimensions & Weight (WxHxD)

Dimensions: 27<sup>7</sup>/<sub>16</sub>" x 18<sup>3</sup>/<sub>8</sub>" x 21<sup>3</sup>/<sub>4</sub>"

Weight: 71.6 lb

Microwave Color	Model #	UPC Code
Black Glass	MC12DB8700CK	887276868851



Shown with Stainless Steel Trim Kit

## 30" Trim Kit

### Trim Kit Dimensions & Weight (WxHxD)

Dimensions: 29<sup>13</sup>/<sub>16</sub>" x 20<sup>1</sup>/<sub>8</sub>" x 1<sup>1</sup>/<sub>4</sub>"

Weight: 4.2 lbs

Trim Kit Color	Model #	UPC Code
Stainless Steel	MA-TK3080CT	887276083582