

**EN**

Instruction Manual


**FR**

Guide de l'utilisateur



**MAST30CSEX**  
**PROF30CSEX**

# CALIFORNIA PROPOSITION 65

 **WARNING:** Cancer and Reproductive Harm –  
[www.P65Warnings.ca.gov](http://www.P65Warnings.ca.gov).

 **ADVERTENCIA:** Cáncer y Daño Reproductivo –  
[www.P65Warnings.ca.gov](http://www.P65Warnings.ca.gov).

 **AVERTISSEMENT:** Cancer et Troubles de l'appareil reproducteur –  
[www.P65Warnings.ca.gov](http://www.P65Warnings.ca.gov).

# Contents

Grounding Instructions .....	4
Safety Information .....	5
Safety Instructions .....	7
Description of your oven.....	8
Basic settings .....	10
Basic functions .....	12
Auto Cooking functions .....	15
Water filling .....	17
When the oven is working.....	18
Usage, Tables and Tips .....	20
Care and maintenance .....	26
Oven Cleaning.....	29
What should I do if the oven doesn't work? .....	30
Technical characteristics .....	31
Specifications .....	32
Installation instructions .....	33
Installation dimensions .....	73

Dear Customer,

Before going any further, we want to thank you for preferring our **BERTAZZONI** product. We are sure that this modern, functional and practical steam oven, manufactured with top quality materials, will fully meet your expectations.

We ask you to read the instructions in this booklet very carefully as this will allow you to get the best results from using your steam oven.

**KEEP THE DOCUMENTATION OF THIS PRODUCT FOR FUTURE REFERENCE.**

**Always keep the instruction manual handy. If you lend the steam oven to someone else give them the manual as well!**

The user manual is also available for download at [www.bertazzoni.com](http://www.bertazzoni.com)


# Grounding Instructions

**This appliance must be connected to a grounded, metallic, permanent wiring system, or an equipment grounding conductor should be run with the circuit conductors and connected to the equipment grounding terminal or lead on the appliance.**

**Warning! IMPROPER USE OF THE GROUNDING CAN RESULT IN A RISK OF ELECTRICAL SHOCK.**

**Please refer to the Installation Instructions for further information.**

# Safety Information

 Carefully read the instructions before installing and using the equipment. The manufacturer is not liable for improper installation and use of the equipment that may cause injuries and damage. Always keep the instructions at hand, so they can be easily referred to during use.

## IMPORTANT SAFEGUARDS

**When using electrical appliances, basic safety precautions should always be followed including the following:**

1. Proper Installation – Be sure your appliance is properly installed and grounded by a qualified technician.
  2. Never Use Your Appliance for Warming or Heating the Room.
  3. Do Not Leave Children Alone – Children should not be left alone or unattended in area where appliance is in use. They should never be allowed to sit or stand on any part of the appliance.
  4. Wear Proper Apparel – Loose-fitting or hanging garments should never be worn while using the appliance.
  5. User Servicing – Do not repair or replace any part of the appliance unless specifically recommended in the manual. All other servicing should be referred to a qualified technician.
  6. Storage in or on Appliance – Flammable materials should not be stored in an oven
  7. Do Not Use Water on Grease Fires – Smother fire or flame or use dry chemical or foam-type extinguisher.
  8. Use Only Dry Potholders – Moist or damp potholders on hot surfaces may result in burns from steam. Do not let potholder touch hot heating elements. Do not use a towel or other bulky cloth.
  9. Use Care When Opening Door – Let hot air or steam escape before removing or replacing food.
  10. Do Not Heat Unopened Food Containers – Build-up of pressure may cause container to burst and result in injury.
  11. Keep Oven Vent Ducts Unobstructed.
  12. Placement of Oven Racks – Always place oven racks in desired location while oven is cool. If rack must be moved while oven is hot, do not let potholder contact hot heating element in oven.
  13. DO NOT TOUCH HEATING ELEMENTS OR INTERIOR SURFACES OF OVEN – Heating elements may be hot even though they are dark in color. Interior surfaces of an oven become hot enough to cause burns. During and after use, do not touch, or let clothing or other flammable materials contact heating elements or interior surfaces of oven until they have had sufficient time to cool.
- This Steam Oven is for household use.

# Safety Information

## Safety of children and vulnerable adults

- ⚠ **WARNING!** Risk of choking, injury or permanent disability.
- This appliance can be used by children aged 8 years and above and persons with reduced physical, sensory or mental capabilities or lack of experience and knowledge if they are given supervision or instructions concerning how to use the appliance in a safe way and understand the hazards involved.
- Children should not play with the appliance.
- Keep packaging materials away from children. **Risk of suffocation!**
- Keep children away from the appliance during operation or when cooling.
- Cleaning and maintenance should not be done by children without supervision.

## Warnings on general safety

- During installation, follow the instructions supplied separately.
- Only qualified personnel can install the appliance and replace the cable.
- ⚠ **WARNING:** The appliance and its accessible parts become hot during use. Care should be taken to avoid touching heating elements. Children less than 8 years of age shall be kept away unless continuously supervised.
- During use the appliance becomes hot. Care should be taken to avoid touching heating elements inside the oven.
- ⚠ **WARNING:** Accessible parts may become hot during use. Young children should be kept away.
- Do not use steam cleaners to clean the appliance.
- Do not use abrasive detergents or metal scrapers to clean the appliance.
- The electric connection is made via an omnipolar switch, which is suitable for the intensity to be tolerated and which has a minimum gap of 3mm between its contacts, which will ensure disconnection in case of emergency or when cleaning the crockery warmer. If a plug is used for the electric connection, then it must be accessible after installation.
- The connection should include correct earthing, in compliance with current norms.
- Disconnect the appliance from the power supply before carrying out any maintenance operation.

# Safety Instructions

## **WARNING!**

Before connecting the appliance compare the power data (voltage and frequency) indicated on the characteristics plate with those of the power supply in question. If these data do not match there may be problems. In case of doubt, contact an electrician.

## **WARNING!**

If the electrical wire plug is removed, the appliance must be installed and connected by a technician. Contact a qualified electrician who knows and respects current safety standards. The manufacturer cannot be held responsible for damage resulting from fitting or connecting errors.

## **WARNING!**

The electrical safety of the appliance can only be guaranteed if it is earthed. The manufacturer cannot be held responsible for damage resulting from the absence of or defects in the installation's protection system (e.g. electrical shock).

## **WARNING!**

Only use the appliance once it has been fitted into its built-in position. Only in this manner can it be guaranteed that users cannot access the electrical components.

## **WARNING!**

Never open up the appliance's frame. Possible contacts with electrical conducting parts or changes

to electrical or mechanical components may represent a danger to users' safety and prejudice the correct working of the appliance.

## **WARNING!**

Repairs and maintenance, especially of parts carrying electrical current, must only be done by technicians authorised by the manufacturer. The manufacturer and retailers do not accept responsibility for any damaged caused to people, animals or property as a result of repairs and maintenance carried out by non-authorised personnel.

## **WARNING!**

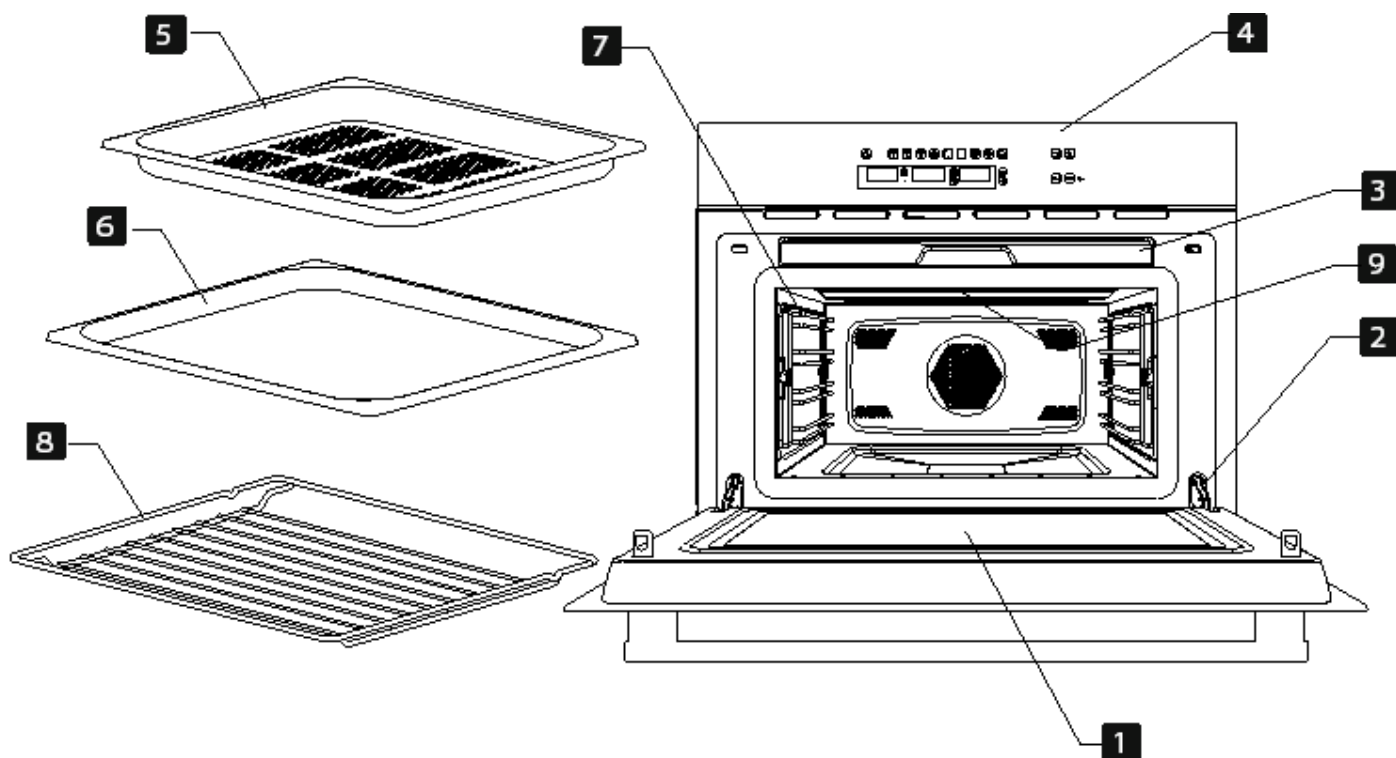
Repairs undertaken during the guarantee period must only be done by technicians authorised by the manufacturer. If this is not the case then any damage resulting from the repair in question is excluded from the guarantee

## **WARNING!**

The appliance must be disconnected from the electrical current when installation and repair work is being done. To disconnect the appliance from the current, one of the following conditions must apply:

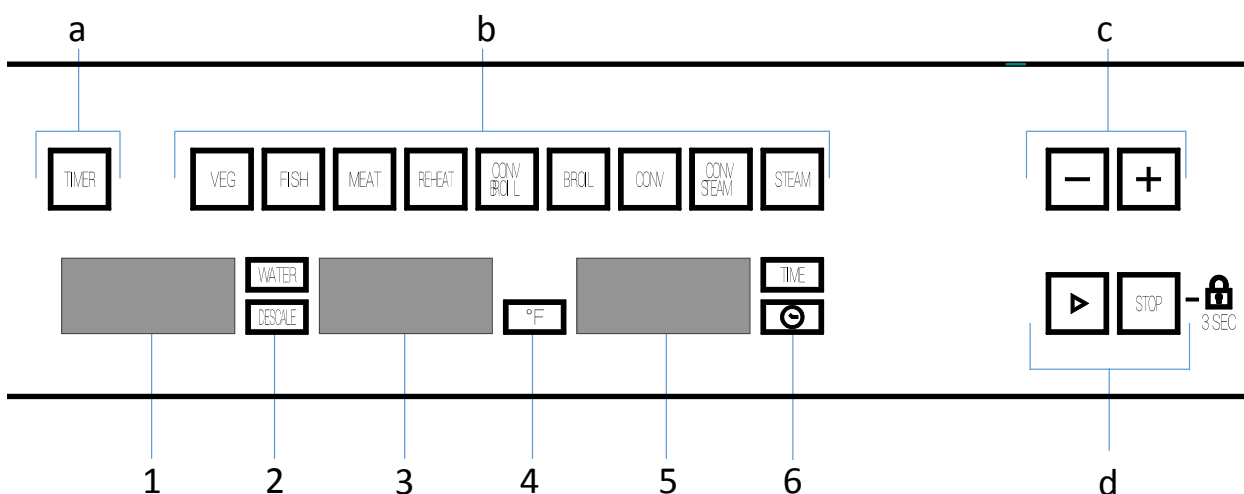
- The switchboard fuses / circuit breakers must be disconnected.
- The plug should be removed from the socket. To remove the plug from the socket do not pull on the electric cable but rather pull out the plug itself directly.

# Description of your oven



- 1. – Door window glass
- 2. – Safety catches
- 3. – Water tank
- 4. – Control panel

- 5. – Baking tray
- 6. – Perforated baking tray
- 7. – Shelf guides
- 8. – Rack
- 9. – Lamp bulb









- a. – Timer light
- b. – Function lights
- c. – “+” and “-” keys
- d. – Start and Stop keys

- 1. – Water Level / Descale display and key
- 2. – Water Level / Descale lights
- 3. – Temperature display and key
- 4. – Temperature light
- 5. – Clock / Duration display and key
- 6. – Clock / Duration lights



## Description of your oven

### Description of Functions

Symbol	Function	Foods
	Steam	Cooking all sorts of vegetables, rice, cereals and meat. Extracting juice from berries. Simultaneous defrosting and cooking of vegetables.
	Convection + Steam	Cooking meals with hot damp circulating air. Cooking potatoes, rice. Moist garnishing.
	Convection	Roasting and baking.
	Broil	Grilling meat and fish Grilling Potatoes – deep frozen, defrosting and roasting.
	Convection + Broil	Grilling food, Roasting and Baking
	Reheat	Regenerating plate dishes and ready-made meals. Sterilising/boiling down fruit.

## Basic settings

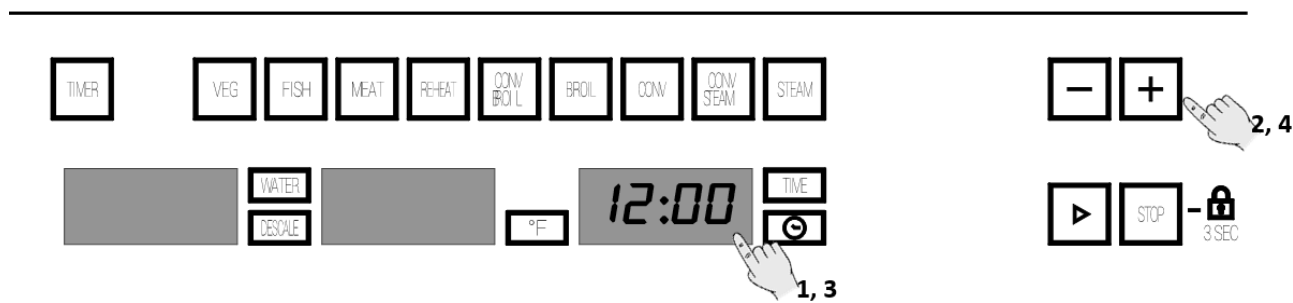
### Initial Settings

After your steam oven is first plugged in or after a power failure, the clock display will flash to indicate that the time shown is not correct.

The oven will not operate until the clock, the water hardness parameter and the Calibration is set.

To set the clock and the water hardness parameter value proceed as described in the following chapters.

### Setting the clock



To set the clock, proceed as follows:

1. Press the **Clock** key a few seconds. The hour numbers will start to flash (not necessary if your Steam oven is first plugged in or after a power failure).
2. Press the “+” and “-” to set the correct hour value.

3. Press again the **Clock** key to set the minutes. The minute numbers will start to flash.
4. Press the “+” and “-” to set the correct minute value.
5. To finish, press the **Clock** key again.

### Hiding/Displaying the Clock

If the clock display disturbs you, you can hide it by pressing the **Clock** setting key.

If you want to see the clock display again, press the **Clock** setting key again.

### Water Hardness setting

The appliance features a system that automatically indicates when it is time to descale.

The system can be optimised for households with very soft water (also through using a water softening appliance) and very hard water, by changing the user settings to the relevant range of water hardness (see table below).

To set the water hardness parameter, proceed as follows:

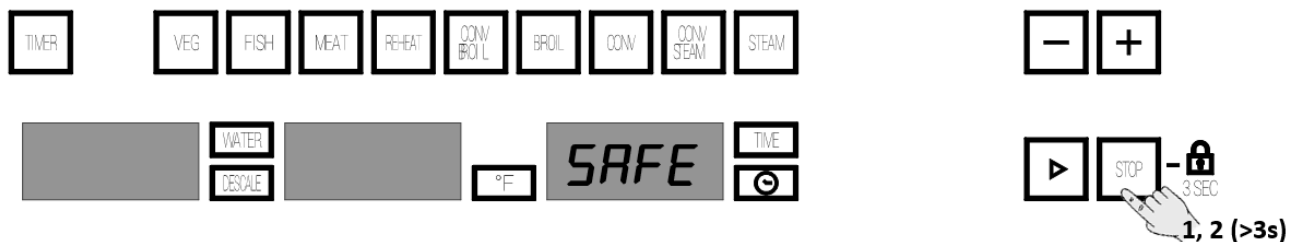
1. After setting the clock the hardness number will start to flash on the Descale display (not necessary if your Steam oven is first plugged in or after a power failure).
2. Press the “+” and “-” to set the correct water hardness parameter value, according to the below table.
3. Press the **Descal** key to set the parameter. The Descale display switches off.

Type	Water hardness				Display
	Ca + Mg (ppm)	English deg. [°eH]	French deg. [°dF]	German deg. [°dH]	
Soft water	0 to 150	0 to 11	0 to 15	0 to 8	1
Medium water	151 to 350	12 to 25	16 to 35	9 to 20	2
Hard water	351 to 500	26 to 35	36 to 50	21 to 28	3

## Basic settings

### Safety blocking

The oven functioning can be blocked (for example, to stop it being used by children).



1. To block the oven, press the **Stop** key for 3 seconds. You will hear a sound signal and the **display** will show the word "SAFE". The oven is blocked in this state and cannot be used.
2. To unblock the oven, press the **Stop** key again for 3 seconds. You will hear a sound signal and the **display** will show the time again.

### Timer



To set the Timer proceed as follows:

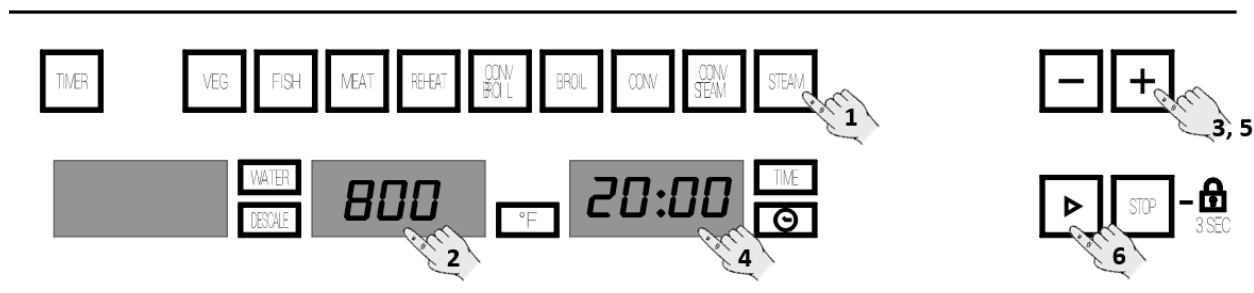
1. Press the **Timer** key. The function key lights up and the Clock display starts blinking.
2. Press the "+" and "-" keys to set the Timer value.
3. Press the **Timer** key to validate. The Timer will start counting-down.

When the set time has elapsed the oven will emit three beeps that will be repeated every 30 seconds or until the **Timer** or **Stop** keys are pressed.

While the Timer is running the Timer light is on. The display and lights show the following:

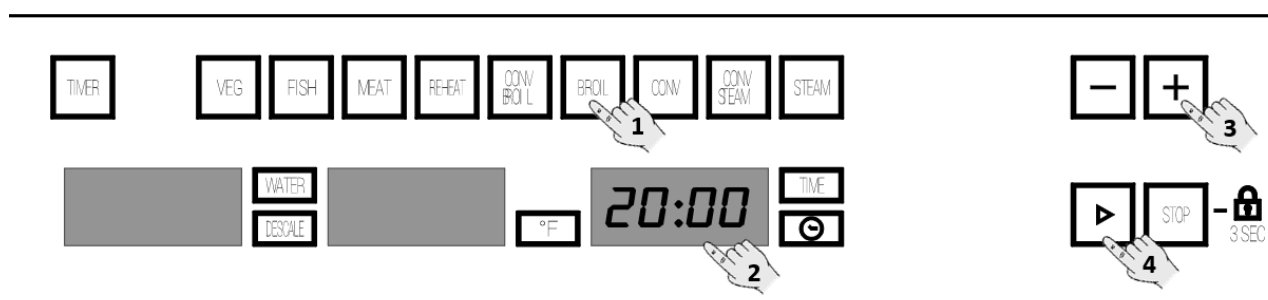
1. If there is no function running, the Clock display shows the Timer counting-down.
2. If there is an active function, the displays and lights show the normal function parameters. To check the Timer's remaining time press the Timer key. The Clock display will briefly show the Timer and resume the function indications after 10 seconds or once the Timer key is pressed again.

## Steam function



1. Press the **Steam Function** key. The function key lights up.
2. Press the **Temperature** key to set the desired value. The respective light will start to flash. If you do not press this key, the oven operates at 100 °C.
3. To change the Temperature, press the “+” and “-” keys.
4. Press the **Duration** key to change the operating time. The respective light will start to flash. This setting is optional. Please jump to point 6 if you don't want to set duration.
5. Select the operating time you want by pressing the “+” and “-” (for example, to 20 minutes).
6. Press the **Start** key. The oven will start to operate.

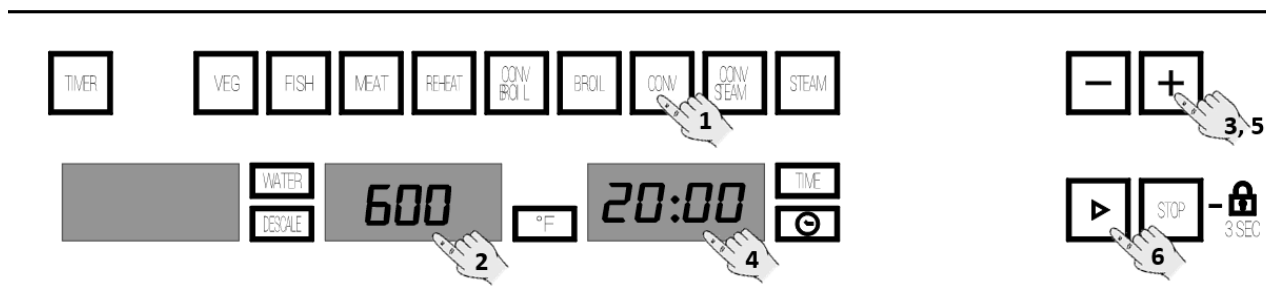
## Broil



1. Press the function key **Broil**. The function key lights up.
2. Press the **Time Selection** key to change the operating time. The correspondent light will start to flash.
3. Press key “-” and “+”, to change the function time (e.g. 15 minutes).
4. Press the **Start** key. The oven will start to operate.

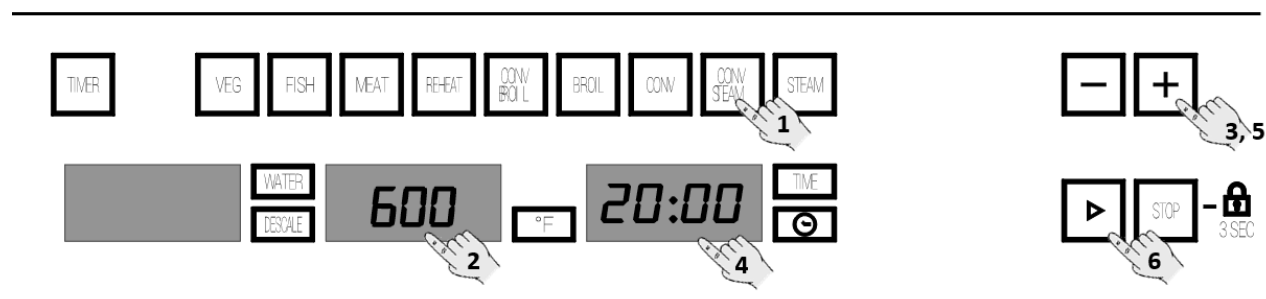
## Basic functions

### Convection



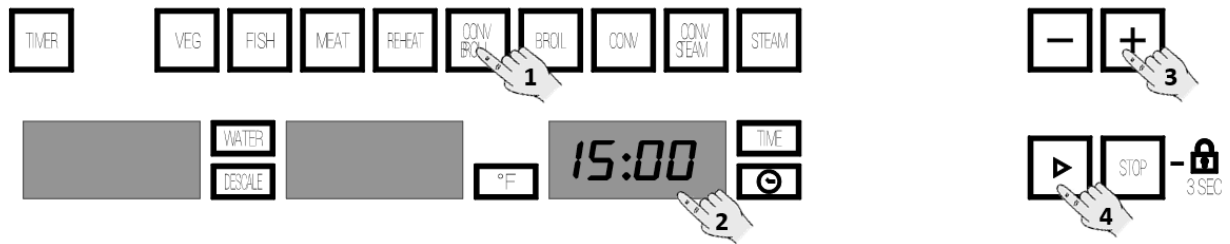
1. Press the function key **Convection**. The function key lights up.
2. Press the temperature key to change the temperature. The respective light will flash. If you do not press this key, the oven operates at 160°C.
3. To change the temperature press key “-” and “+”.
4. Press the **Time Selection** key to change the operating time. The respective light will start to flash.
5. Press key “-” and “+”, to change the function time (e.g. 12 minutes).
6. Press the **Start** key. The oven will start to operate.

### Steam + Convection



1. Press the function key **Steam + Convection**. The function key lights up.
2. Press the temperature key to change the temperature. The respective light will flash.
3. To change the temperature press key “-” and “+”.
4. Press the **Time Selection** key to change the operating time. The respective light will start to flash.
5. Press key “-” and “+”, to change the function time (e.g. 12 minutes).
6. Press the **Start** key. The oven will start to operate.

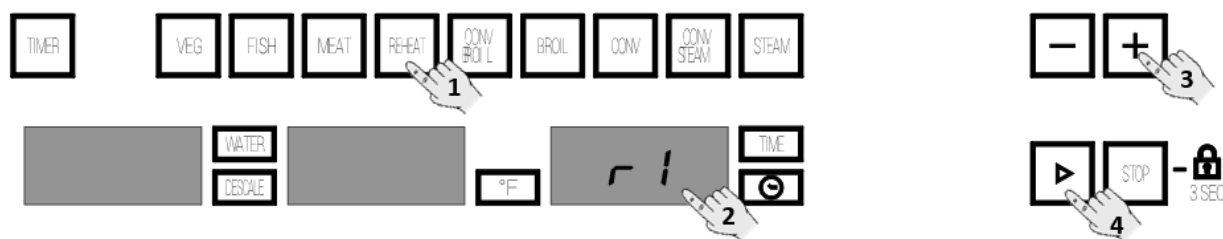
## Convection + Broiler



1. Press the function key **Convection + Broiler**. The function key lights up.
2. Press the **Time Selection** key to change the operating time. The respective light will start to flash
3. Press key “-” and “+”, to change the function time (e.g. 12 minutes).
4. Press the Start key. The oven will start to operate.

# Auto Cooking functions

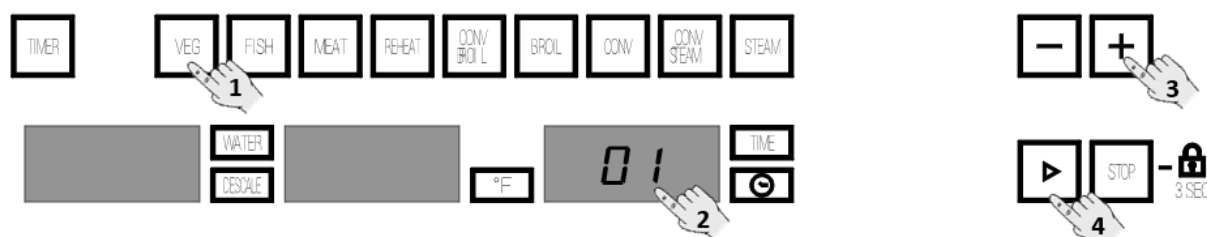
## Regenerating & Sterilising



1. Press the **Regenerating Function** key. The function key lights up.
2. Press the **Clock / Duration display and key** to change the food type. The respective light will start to flash.
3. To change the Programme press the “+” and “-” keys, e.g. “r 01” (see following table).
4. Press the **Start** key. The oven will start to operate.

Program	Type of Food	Temperature °F	Time (min)	Instructions
1	Plate dishes	210	13	
2	Ready-made meals / frozen	210	18	Remove lid from container and put on rack.
3	Beans	210	35	<b>Sterilising:</b> The times and temperatures refer to 1L preserving jars.
4	Cherries	175	35	
5	Plums	195	35	

## Auto cooking function: VEGETABLES

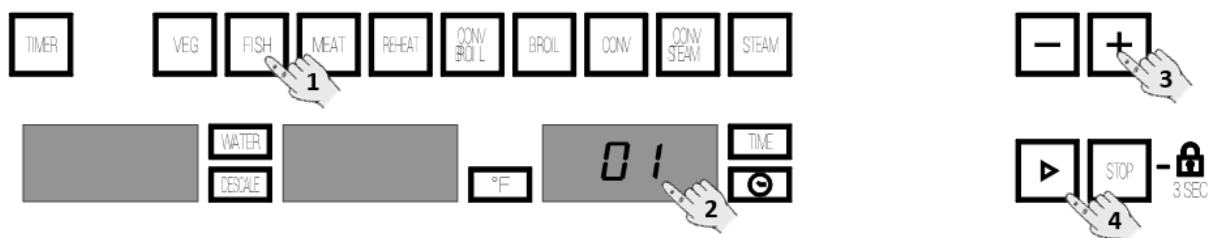


1. Press the **Vegetables** function key. The function key lights up.
2. Press the **Clock / Duration display and key** selection key to change the food type. The respective light will flash.
3. Press “+” and “-” keys to change the programme, e.g. “01” (see following table).
4. Press the **Start** key. The oven will start to operate.

Programme	Type of Food	Temperature °F	Time (min)
01	Broccoli/ florets	210	20
02	Cauliflower/ florets	210	25
03	Potatoes/ pieces	210	25
04	Snow peas	210	15
05	Asparagus	210	25
06	Carrots	210	25

## Auto Cooking functions

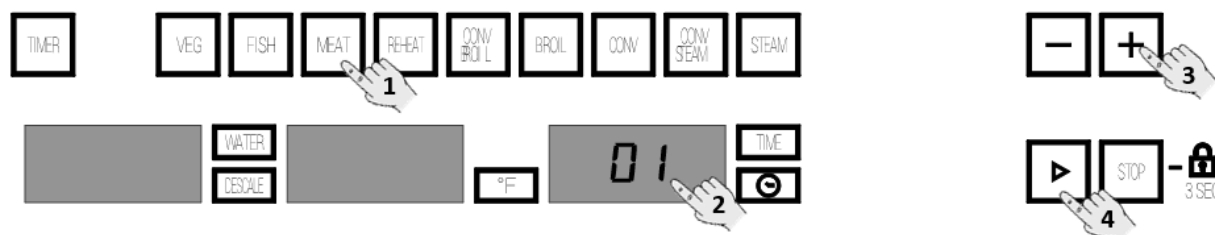
### Auto cooking function: FISH



1. Press the **Fish** function key. The function key lights up.
2. Press the **Clock / Duration display and key selection** key to change the food type. The respective light will flash.
3. Press “+” and “-” keys to change the programme, e.g. “01” (see following table).
4. Press the **Start** key. The oven will start to operate.

Programme	Type of Food	Temperature °F	Time (min)
01	Trout	175	25
02	Shrimp	195	15
03	Fish filet	175	18
04	Mussels	210	25
05	Lobster	210	30

### Auto cooking function: MEAT



1. Press the **Meat** function key. The function key lights up.
2. Press the **Clock / Duration display and key selection** key to change the food type. The respective light will flash.
3. Press “+” and “-” keys to change the programme, e.g. “01” (see following table).
4. Press the **Start** key. The oven will start to operate.

Programme	Type of Food	Temperature °F	Time (min)
01	Chicken breast	210	30
02	Smoked Pork	210	45
03	Turkey escalope	210	20
04	Pork filet, whole	210	25
05	Vienna sausages	210	15



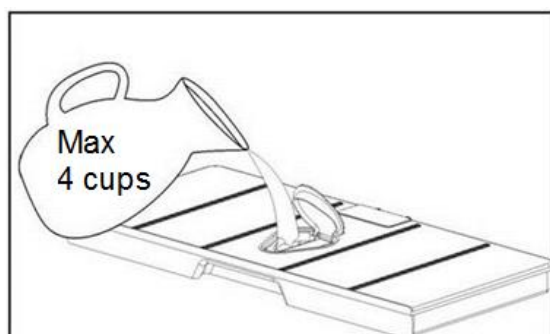
## Water filling

### Filling the water tank

All functions require the water tank to be full.

Fill the water tank up to the “MAX” mark with cold, fresh drinking water (approximately 4 cups/ 1L) and introduce it into the slot located above the cavity.

If the indication “rES” appears, it means that the water tank was not properly inserted.



### Water level indication

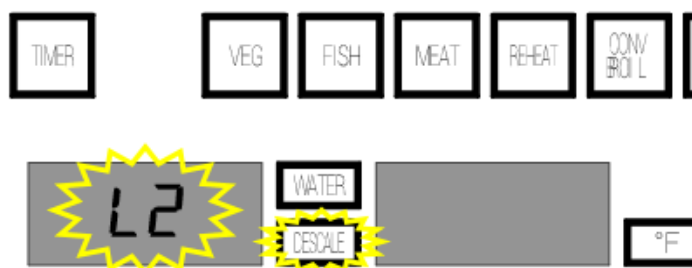
The water tank level is indicated in four levels:

“-L0-“ 0%-20%

“-L1-“ 20%-60%

“-L2-“ 60%-100%

These indications are shown in the leftmost display.



**Remark: To fill up take the water tank completely off. Wait approximately > 20seconds before reinstate the full water tank.**

### Refilling the water

The contents of the water tank normally suffice for one cooking session of 50-60 minutes.

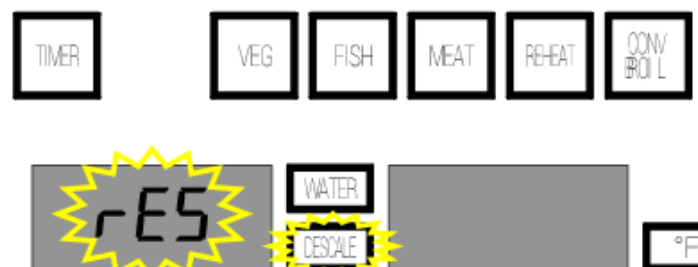
If, however, the water tank needs to be refilled this is signalled by the message “- L0 -” meaning that the water tank is empty.

**Warning! Only fill the water tank up to a maximum of 2 cups to ensure that the water**

**does not overflow when it is pumped back to the water tank. RISK OF OVERFLOW.**

### Water tank message

When the water tank is removed or misplaced, the Water Level display shows the message “rES”.



To clear the message, correctly insert the water tank.

### Emptying the water tank

When the appliance is switched off, the residual water is pumped back into the water tank.

While the water is being pumped the display shows “PUMP”.

This message stays on until the temperature of the water reaches 167° F before it can be pumped back to the water tank.

**Warning: the water in the tank may be hot. Danger of burns!**

After the water is pumped back to the water tank, the display will show the message “DEP” requiring the following actions:

1. Remove and empty the water tank.
2. Dry the water tank and introduce it back into the slot located above the cavity. Clean and dry the cooking space.
3. Leave the appliance door open so that the cooking space can cool down and dry completely.

**IMPORTANT NOTE: It is advisable to remove the water tank and empty it after a cooking cycle. This prevents the formation of bacteria and limestone inside the appliance.**

If the water tank has not been removed from the oven and a new cooking cycle is started, the oven displays the warning “DEP”.

This warning can be cleared by pressing the **Stop** key and proceed with the new cooking cycle without removing and emptying the water tank.

## When the oven is working...

### Interrupting a cooking cycle

You can stop the cooking process at any time by pressing the **Stop** key once.

The oven incorporates a steam-reduction function that is activated when the **Stop** key is pressed to gradually release the steam from the cavity, so that there is no sudden rush of steam when the appliance door is opened.

This function takes around 3 minutes and during it the display shows the word "VAP".

**Warning! When opening the door during or upon completion of the cooking cycle, be careful of the flow of hot air and/or steam coming out of the cooking chamber. Step back or to the side to avoid burns.**

At this point:

- The steam generation is interrupted.
- The cavity walls and the water tank are still very hot. **Danger of burning!**
- The timer stops and the display shows the remaining operating time (if this has been set).

If you wish, at this point you can:

1. Turn or stir the food to ensure it will be evenly cooked.
2. Change the cooking parameters.

To restart the process, close the door and press the **Start** key.

### Altering parameters

The operating parameters (time and temperature) can only be altered when the cooking process has been interrupted by proceeding as follows:

1. To alter the time, press "+" and "-" keys. The new time defined is immediately valid.
2. To alter the temperature, press the Temperature Selection key and the display and respective light start to flash. Alter the parameter by pressing the "+" and "-" keys and confirm by pressing the Temperature Selection key again.

### Cancelling a cooking cycle

If you wish to cancel the cooking process, press the **Stop** key twice.

You will then hear 3 beeps and the message "End" will appear on the **display**.

### End of a cooking cycle

At the end of the set duration or when you press the **Stop** key to finish the cooking cycle the oven starts the steam-reduction function.

This function gradually releases the steam from the cavity, so that there is no sudden rush of steam when the appliance door is opened.

This function takes around 3 minutes and during it the display shows the word "VAP".

At the end of this process you will hear three beeps and the display will show the word "PUMP" (you might hear the pumps during this process, because they will be pulling the water back into the water tank).

**Warning! When opening the door during or upon completion of the cooking cycle, be careful of the flow of hot air and/or steam coming out of the cooking chamber. Step back or to the side to avoid burns.**

The beeps are repeated every 30 seconds until the door is opened or the **Stop** key is pressed.

The cooling fan can continue to run for a certain length of time after the appliance has been switched off. This is a normal function that is meant to reduce the temperature inside the oven.

When the display shows the word "DEP", this means that the water was pumped and that the water tank can be removed.

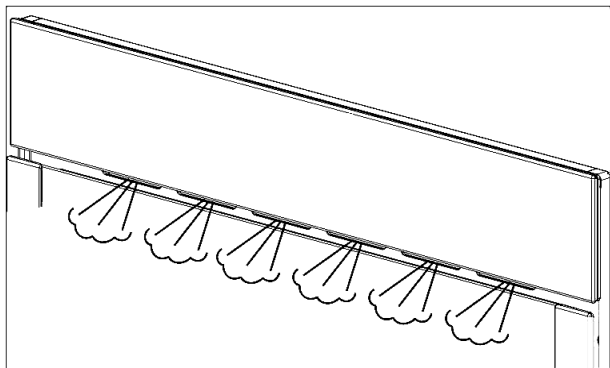
Remove the water tank and dry it thoroughly. Let the cooking space cool down for a moment and then clean and dry it with a cloth. The door should be left open for some time so that the appliance can dry completely.

## When the oven is working...

### Steam Flow

It is normal to have an intermittent steam flow, coming out from the oven front.

This is especially noticeable in winter time or in high moisture environments.



### Residual water in the oven

To reduce the residual water in the oven, it is recommended to insert a tray in the bottom rack level. The condensation released from the food begins to drip on the tray. The remaining residual water can be easily dried with a cloth.

## Usage, tables and tips

### Use of accessories

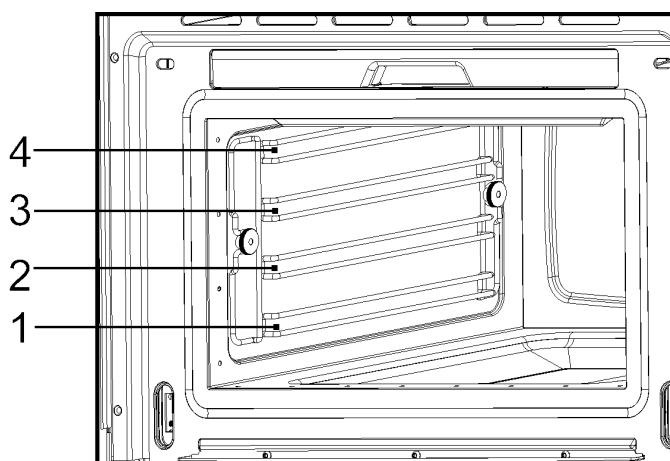
The perforated container is suitable for cooking fresh or deep-frozen vegetables, meat and poultry. In this case it is important that the non-perforated container is introduced into the first level. This way, dripping liquids are collected and the appliance does not get dirty. The perforated container with the food should be inserted into the second level.

The non-perforated container is used to steam sensitive foods, e.g. compotes and dumplings.

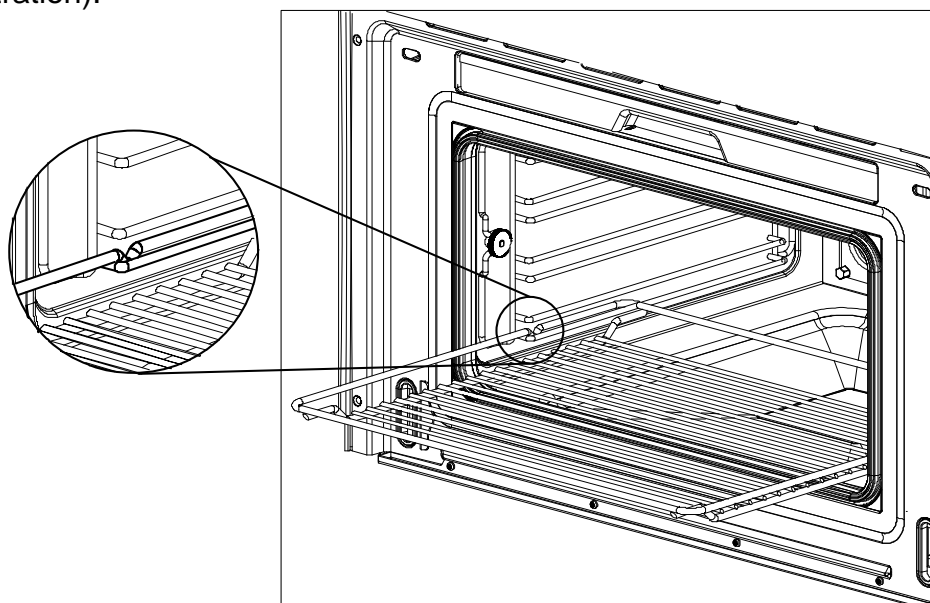
The rack is used when cooking with small containers, as for example, dessert bowls and to regenerate plate dishes.

For more precise information refer to the tables.

The suggested times and temperatures are guideline values. The actual cooking time can vary according to the type and quality of the foods.



To remove the rack, lift it upwards slightly at the front when the safety notches connect with the sides of the oven (see illustration).



**We recommend using the rack together with the baking tray when cooking items on the rack which might drip.**

## Cooking with Steam

### Steam cooking - Fish

Fish	Quantity	Temperature °F	Time min.	Container	Level
Gilthead sea bream	28.22 - 43.33 oz	175	30-40	Perforated	2
Trout	4 x 8.82 oz	175	20-25	Perforated	2
Salmon filet	17.64 – 35.27oz	175	15-25	Perforated	2
Salmon trout	35.27 – 42.33 oz	175	25-35	Perforated	1/2
King prawns	17.64 – 35.27oz	175	15-20	Perforated	2
Green-shell mussel	35.27 – 52.9 oz	210	25-35	Perforated	2
Halibut filet	17.64 – 35.27oz	175	20-25	Perforated	2
Cockles	17.64 – 35.27oz	210	10-20	Perforated	2
Lobster	28.22 - 42.33 oz	210	25-30	Perforated	1/2
Cod filet	35.27 – 42.33 oz	175	20-25	Perforated	2
Blue mussel	35.27 – 42.33 oz	210	15-25	Perforated	2
Lake trout	4 x 8.82 oz	175	25-30	Perforated	2
Haddock	35.27 – 42.33 oz	175	20-25	Perforated	2
Tuna filet	17.64 – 35.27oz	175	15-20	Perforated	2
Pike perch	4 x 8.82 oz	175	25-30	Perforated	2

### Steam cooking - Meat

Meat	Quantity	Temperature °F	Time min.	Container	Level
Chicken leg	4-10	210	40-45	Perforated	2
Chicken breast	4-6	210	25-35	Perforated	2
Smoked pork loin	17.64 – 35.27oz	210	40-50	Perforated	2
Turkey escalope	4-8	210	20-25	Perforated	2
Pork filet, whole	4-8	210	20-30	Perforated	2
Sausages		175-210	10-15	Perforated	2

### Steam cooking - Eggs

Eggs	Temperature °F	Time min.	Container	Level
Eggs in Glass	210	10-15	Rack	2
Eggs, hard	210	15	Rack	2
Eggs, soft	210	10-12	Rack	2

### Steam cooking - Side dishes

Side dishes	Quantity	Temperature °F	Time min.	Container	Level
Pearl barley + Liquid	7.05oz + 13.53 fl oz	210	30-35	Rack, glass bowl	2
Semolina + Liquid	7.05oz + 10.14 fl oz	210	10-20	Rack, glass bowl	2
Lentils + Liquid	7.05oz + 12.68 fl oz	210	20-50	Rack, glass bowl	2
Rice + Liquid	7.05oz + 8.45 fl oz	210	25-40	Rack, glass bowl	2

### Steam cooking - Dumplings

Dumplings	Temperature °F	Time min.	Container	Level
Sweet dumpling	210	20-30	Not perforated	2
Sweet yeast dumpling	210	15-20	Not perforated	2
Yeast dumpling	210	15-25	Not perforated	2
Bread dumpling	210	20-25	Not perforated	2
Napkin dumpling	210	25-30	Not perforated	2

## Cooking with Steam

### Steam cooking - Vegetables

Vegetables		Temperature °F	Time min.	Container	Level
Eggplant/Aubergine	in slices	210	15-20	Perforated	2
Beans		210	35-45	Perforated	2
Broccoli	florets with stalk	210	25-30	Perforated	2
Broccoli	florets without stalk	210	15-20	Perforated	2
Cauliflower	florets	210	25-30	Perforated	2
Cauliflower	whole head	210	40-45	Perforated	1
Peas		210	30-35	Perforated	2
Fennel	in stripes	210	15-20	Perforated	2
Fennel	cut in half	210	20-30	Perforated	2
Potatoes with skin	whole, very small	210	20-25	Perforated	2
Potatoes with skin	whole, very big	210	45-50	Perforated	2
Potatoes without skin	in pieces	210	20-25	Perforated	2
Turnip	in sticks	210	20-25	Perforated	2
Snow peas		210	15-20	Perforated	2
Carrots	in slices	210	25-30	Perforated	2
Corn cobs		210	50-60	Perforated	2
Bell peppers	in stripes	210	12-15	Perforated	2
Hot pepper		210	12-15	Perforated	2
Mushrooms	in quarters	210	12-15	Perforated	2
Leeks	in slices	210	10-12	Perforated	2
Brussels sprouts		210	25-35	Perforated	2
Celery	in stripes	210	15-20	Perforated	2
Asparagus		210	20-35	Perforated	2
Spinach		210	12-15	Perforated	2
Celery stalks		210	25-30	Perforated	2
Courgette	in slices	210	12-18	Perforated	2

### Steam cooking - Desserts

Desserts	Quantity	Temperature °F	Time min.	Container	Level
Stewed apples	17.64 - 52.9 oz	210	15-25	Not perforated	2
Stewed pears	17.64 - 52.9 oz	210	25-30	Not perforated	2
Crème brûlée	--	175	20-25	Rack - bowl	2
Crème caramel	--	175	25-30	Rack - bowl	2
Yogurt	--	105	4-6 hrs.	Rack - bowl	2
Stewed peaches	17.64 - 52.9 oz	210	15-20	Not perforated	2

### Steam cooking - Fruit (Sterilising/Boiling down)

Fruit	Quantity	Temperature °F	Time min.	Container	Level
Pears	4-6 4 fl.oz. glasses	210	30-35	Rack	1
Cherries	4-6 4 fl.oz. glasses	210	30-35	Rack	1
Peaches	4-6 4 fl.oz. glasses	175	30-35	Rack	1
Plums	4-6 4 fl.oz. glasses	175	30-35	Rack	1

## Cooking with Steam

### Steam cooking - Regenerate

Warming-up	Quantity	Temperature °F	Time min.	Container	Level
Plate dishes	1-2	210	12-15	Rack	2
Plate dishes	3-4	210	15-20	Rack	2
Ready-made meals	--	210	15-20	Rack	2

### Steam cooking - Blanch

Vegetables	Quantity	Temperature °F	Time min.	Container	Level
e.g. Beans, Leek		210	10-12	Perforated	2
Curly Kale	35.27 – 42.33 oz	210	12-16	Perforated	2
Savoy cabbage	10-20	210	12-15	Perforated	2
White cabbage, whole	70.55 -88.18 oz	210	30-45	Perforated	1
Tomatoes, peeled		175	12	Rack	2

### Steam cooking - Defrost

Vegetables / Side dish	Temperature °F	Time min.	Container	Level
Broccoli florets with stalk	210	15-20	Perforated	2
Mixed vegetables	210	15-20	Perforated	2
Spinach leaves portions	210	10-15	Not perforated	2
Cauliflower florets	210	15-20	Perforated	2
Peas	210	15-25	Perforated	2
Curly kale bigger portion	210	25-35	Not perforated	2
Carrots in slices	210	15-20	Perforated	2
Brussels sprouts	210	20-25	Perforated	2
Asparagus	210	25-30	Perforated	2
Ready-made meals	210	as required	Rack	2
Bread	210	10-25	Rack	2
Rice	210	15-25	Not perforated	2
Lentils	210	15-20	Not perforated	2
Noodles	210	15-20	Not perforated	2

### Two level cooking

#### Some suggestions:

When cooking with two levels the grill always belongs to the 2nd or 3rd level of insertion from the bottom to the top.

This way the usual vessels of porcelain, Jena glass or of stainless steel can be put inside the oven.

The container of cooking perforated or not, will be inserted in the 1st level from the bottom. It can also be cooked with two grills.

Different cooking times are controlled this way:

Foods that need a longer cooking time should be placed in the upper area of the oven. Foods with a shorter cooking time should be placed on the 1<sup>st</sup> level.

**One example:** Vegetables, potatoes and fish.

Place the vegetables and potatoes in any suitable container on the rack inserted in the 2<sup>nd</sup> or 3<sup>rd</sup> level.

Insert the fish in the 1<sup>st</sup> level.

When using the perforated tray to cook fish, the non-perforated tray must be inserted in the bottom of the appliance to collect liquid dripping from the fish. This way the appliance is kept clean.

Time: Vegetables and potatoes 25-35 Min.

Time: Fish – depending on type – 15-25 Min.

Select the longest cooking time. Because of the different levels the food is ready at the same time, without any over cooking.

## Cooking with the grill

For good results with the grill, use the grid iron supplied with the oven.

### IMPORTANT POINTS:

1. When the grill is used for the first time there will be some smoke and a smell coming from the oils used during oven manufacture.
2. The oven door window becomes very hot when the grill is working. **Keep children away.**
3. When the grill is operating, the cavity walls and the grid iron become very hot. You should use oven gloves.
4. If the grill is used for extended period of time it is normal to find that the elements will switch themselves off temporarily due to the safety thermostat.
5. When the grill is used it is possible that some splashes of fat may go onto the elements and be burnt. This is a normal situation and does not mean there is any kind of operating fault.
6. After you have finished cooking, clean the interior and the accessories so that cooking remains do not become encrusted.

Type of food	Quantity	Time (min.)	Instructions
<b>Fish</b>			
Bass	28.22 oz	18-24	Spread lightly with butter. After half of cooking time turn and spread with seasoning.
Sardines/gurnard	6-8 fish.	15-20	
<b>Meat</b>			
Sausages	6-8 units	22-26	Prick after half cooking time and turn.
Frozen hamburgers	3 units	18-20	
Spare rib (approx. 3 cm thick)	14.11 oz	25-30	After half of cooking time, baste and turn.
<b>Others</b>			
Toast	4 units	1½-3	Watch toasting.
Toasted sandwiches	2 units	5-10	Watch toasting.

Heat up the grill beforehand for 2 minutes. Unless indicated otherwise, use the grid iron. Place the grid on a bowl so that the water and the fat can drop. The times shown are merely indicative and can vary as a function of the composition and quantity of the food, as well as the final condition wished for. Fish and meat taste great if, before grilling, you brush them with vegetable oil, spices and herbs and leave to marinate for a few hours. Only add salt after grilling.

Sausages will not burst if you prick them with a fork before grilling.

After half the grilling time has passed, check on how the cooking is going and, if necessary, turn the food over.

The grill is especially suitable for cooking thin portions of meat and fish. Thin portions of meat only need to be turned once, but thicker portions should be turned several times.



# Cooking with Hot Air

## Roasting and baking

Type	Quantity (oz)	Temperature °F	Time (min)	Standing Time (min)	Comments
Beef stew	35.27	320/340	80/90	10	Do not put lid on container
Pork loin	17.64 / 21.16	355/375	35/40	10	Do not put lid on container
Whole chicken	35.27 / 42.33	390	30/40	10	Put lid on container. Breast facing upwards. Do not turn.
Chicken portions	28.22	390	25/35	10	Do not put lid on container. Arrange portions with skin facing upwards. Do not turn.
Duck	52.9 / 59.97	390	70/80	10	Put lid on container. Do not turn.

### Advice for roasting meat

Turn the pieces of meat halfway through the cooking time. When the roasted meat is ready you should let it stand for 10 minutes in the oven with this switched off and closed. This will ensure the juices in the meat are well distributed.

Add 2 to 3 soup spoons of gravy or similar liquid to lean meat and 8 to 10 soup spoons to stews, depending on the amount of meat in question.

The roasting temperature and time required depends on the type and amount of meat being cooked.

If the weight of the meat to be roasted does not appear on the table choose the settings for the weight immediately below and extend the cooking times.

### Advice on ovenware

Check that the ovenware fits inside the oven.

Hot glass containers should be put on a dry kitchen cloth. If such containers are put on a cold or wet surface the glass may crack and break. Use oven gloves to take the ovenware out of the oven.

## Cooking – Cakes

Type	Container	Level	Temperature °F	Time (min)
Walnut cake	Spring-form type tin	1	340/355	30/35
Fruit tart	Spring-form type tin	2	300/320	35/45
Fruit cakes	Cake tin with central hole	1	340/375	30/45
Savoury tarts	Spring-form type tin	2	320/355	50/70
Simple cake (sponge cake)	Spring-form type tin	1	320/340	40/45
Almond cakes	Cake tray	2	230	35/45
Puff pastry	Cake tray	2	340/355	35/45

### Advice on cake baking ware

The most commonly used type of baking ware is black metal tins.

### Advice on how to bake cakes

Different amounts and types of pastry require different temperatures and baking times. Try low settings first of all and then, if necessary, use higher temperatures next time. A lower temperature will result in more uniform baking. Always put the cake tray in the centre of the turntable.

### Baking suggestions

#### How to check if the cake is properly cooked

Start sticking a tooth pick in the highest part of the cake 10 minutes before the end of the baking time. When no dough sticks to the tooth pick the cake is ready.

If the cake is very dark on the outside

Next time choose a lower temperature and let the cake bake for a longer time.

#### If the cake is very dry

Make small holes in the cake with a tooth pick after baking has finished. Then sprinkle the cake with some fruit juice or alcoholic drink. Next time increase the temperature by about 10° and reduce the baking time.

#### If the cake does not come free when turned

Let the cake cool down for 5 to 10 minutes after baking and it will come out of the tin more easily. If the cake still does not come free run a knife carefully around the edges. Next time grease the cake tin well.

## Care and maintenance

### Cleaning the cooking space

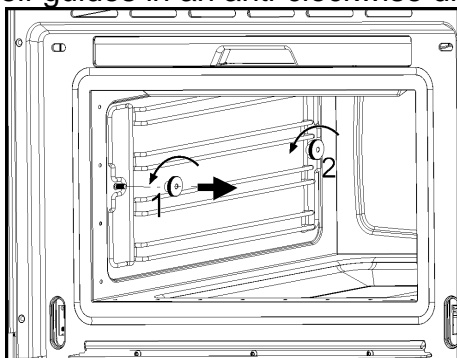
Avoid using abrasive cleaners such as scouring pads, steel wool, etc. as they can damage the surface.

Wipe the cooking space clean using a damp cloth whilst the appliance is still warm. Finish off by drying the cooking space.

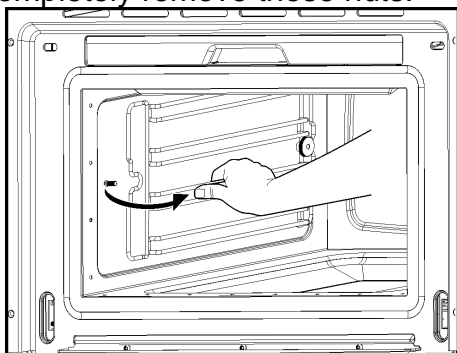
For ease of cleaning, the shelf guides can be removed (see the following chapter).

### Removing the shelf guides

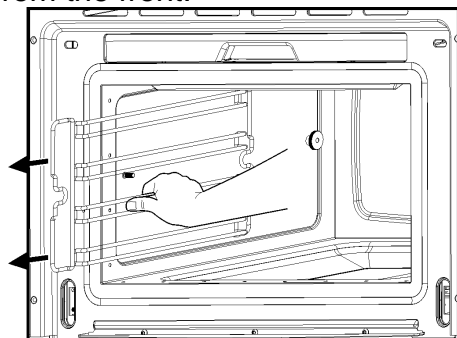
Unscrew and remove the knurled nuts 1 in the front of the shelf guides in an anti-clockwise direction.



Unscrew and loosen the knurled nuts 2 in the back of the shelf guides in an anti-clockwise direction. Do not completely remove these nuts.



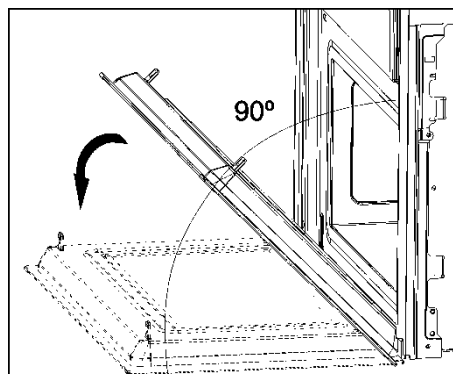
Pull the shelf guides to the inside of the cavity and remove from the front.



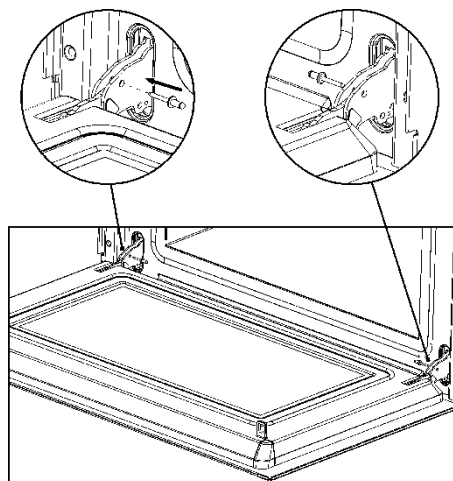
To put them back, insert the shelf guides into the knurled nuts 2 in the back and position on the screws in the front. Screw the knurled nuts 1 and 2 in a clockwise direction till tight.

### Removing the appliance door

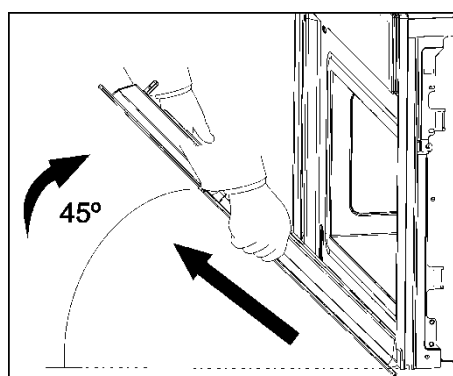
1. Open the appliance door as far as it will go.



2. Insert 2 pins inside the holes in the hinges.



3. Close the appliance door just enough that it can be lifted out.



4. To reassemble, push the hinges into the holes from the front.

5. Open the appliance door as far as it will go and remove the pins.

## Care and maintenance

### Descaling

Whenever steam is produced, irrespective of the hardness of the local water supply (i.e. the limescale content of the water), limescale is deposited inside the steam generator.

The time interval between descaling depends on the hardness of the water and frequency of use. If steaming 4x30 minutes per week, the appliance must be descaled (depending on water hardness) roughly as follows:

Water hardness	Descal after about
Very soft	18 months
Medium	9 months
Very hard	6 months

The appliance automatically detects when descaling is necessary and when this happens the Descal light stays on. If the Descaling procedure is not performed, some cooking cycles after the Descal light starts to flash. If once again the Descaling procedure is not performed, some cooking cycles after the oven functioning is blocked, the Descal light stays on and the display shows "CAL" blinking.

**IMPORTANT NOTE: Failure to descale the appliance will likely impair the functioning of or cause damage to the appliance.**

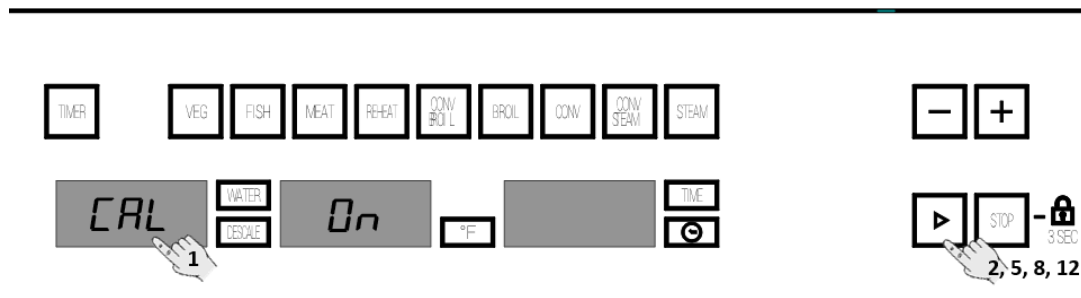
### Suitable descaling solutions

For descaling, use an adequate descaling solution.

**Warning! Do not use vinegar or vinegar-based products as they can cause damage to the oven's internal circuit.**

Traditional descaling solutions are not appropriate because they can contain foaming agents.

## Descaling procedure



**Warning: For safety reasons, the descaling process cannot be interrupted.**

The appliance has to be descaled with the appliance door closed. The appliance must be in idle state prior to starting the descaling cycle.

To run a descaling cycle proceed as follows:

1. Press the **Descal** key during 5 seconds. The display shows “**CAL**” and there is an intermittent beep. (In case you don't want to go ahead with the descaling procedure press the **Stop** key, or just wait for about 5 seconds without pressing any key).
2. Press the **Start** key.
3. When the display shows “**0.5L**”, remove the water tank.
4. Pour 0.5 litres of an adequate descaling solution into the water tank and put the water tank back.
5. Press the **Start** key. The Descale cycle is initiated and takes about 30 minutes.
6. When the Descale display shows “**1L**” flashing and the oven emits a beep, remove and empty the water tank.
7. Fill the water tank with 1.0 litres of cold water and put the water tank back.
8. Press the **Start** key. The first rinsing cycle starts.
9. When the Descale display shows again “**1L**” flashing and the oven emits a new beep, remove and empty the water tank.
10. Fill the water tank with 1.0 litres of cold water and put the water tank back.
12. Press the **Start** key. The second rinsing cycle starts.
13. When the rinsing cycle has finished the display shows “**End**”.
14. Remove, empty and dry the water tank.

## Oven cleaning

**Warning!** Cleaning should be done with the oven power switched off. Take the plug out of the socket or switch off the oven's power circuit. If the microwave is not kept clean its surfaces may deteriorate, **reducing the oven's working life and possibly resulting in a dangerous situation.**

**Do not use aggressive or abrasive cleaning products, scourers that scratch surfaces or sharp objects, since stains may appear.**

**Do not use high pressure or steam jet cleaning appliances.**

**For your safety, never turn on the oven if the back panel that covers the fan is not in place.**

### Front surface

Normally you just need to clean the oven with a damp cloth. If it is very dirty, add a few drops of dishwashing liquid to the cleaning water. Afterwards, wipe the oven with a dry cloth.

**In an oven with an aluminium front,** use a mild glass cleaning product and a soft cloth that does not release any fibres or threads. Wipe from side to side without exerting any pressure on the surface.

Immediately remove limescale, fat, starch or egg white stains. Corrosion can occur under these stains.

Do not let any water get inside the oven.

### Oven interior

After use, remove any water on the bottom of the cooking space with a soft cloth. Leave the appliance door open so that the cooking space can cool down.

To remove dirt that is harder to shift, use a non-aggressive cleaning product. **Do not use oven sprays or other aggressive or abrasive cleaning products.**

**Always keep the door and the oven front very clean to ensure that the door opens and closes properly.**

Make sure water does not enter the oven ventilation holes.

The glass lamp cover is located on the oven ceiling and can be removed easily for cleaning. For this you just need to unscrew it and clean it with water and dishwashing liquid.

Failure to maintain the oven in a clean condition could lead to deterioration of the surface that could adversely affect the life of the appliance and possibly result in a hazardous situation.

### Accessories

Clean the accessories after each use. If they are very dirty, soak them first of all and then use a brush and sponge. The accessories can be washed in a dish washing machine.

## What should I do if the oven doesn't work?

**WARNING!** Any type of repair must only be done by a specialised technician. Any repair done by a person not authorised by the manufacturer is dangerous.

You do not need to contact Technical Assistance to resolve the following questions:

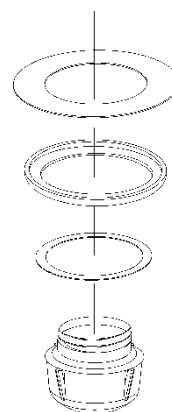
- **The display is not showing!** Check if:
  - The time indication has been switched off (see section on Basic Settings).
- **Nothing happens when I press the keys!** Check if:
  - The Safety Block is active (see section on Basic Settings).
- **The oven does not work!** Check if:
  - The plug is correctly fitted in the socket.
  - The oven's power is switched on.
- **When the oven is operating I can hear some strange noises!** This is not a problem.
  - It has to do with the operating noises that can occur during the cooking process, e.g. by the water pumps in the steam generator.
  - The steam inside the cavity produces a pressure build-up and sometimes the cavity walls may produce noise when they react to the pressure.
  - This noises are normal, there is no problem.
- **The food doesn't heat up or heats very slowly!** Check if:
  - You have selected the correct operating times and temperature setting.
  - The food you have put inside the oven is a larger amount or colder than you usually put in.
- **If the message "Err\_" appears in the display, please contact the Customer Care.**

- **The appliance still makes a noise after the cooking process is finished!** This is not a problem.
  - The cooling fan keeps on working for some time. When the temperature has dropped sufficiently, the fan will switch itself off.
- **The oven switches on but the interior light does not go on!**
  - If all the functions work properly it is probable that the lamp has blown. You can keep on using the oven.

### Replacing the light bulb

To replace the light bulb, proceed as follows:

- Disconnect the oven from the power supply. Take the plug out of the socket or switch off the oven's power circuit.
- Unscrew and remove the glass light cover **(1)**.
- Remove the light bulb **(2)**. Warning! **The bulb may be very hot.**
- Fit a new G9 230V/25W halogen bulb. Follow the lamp manufacturer's instructions.
- Screw the glass light cover into place **(1)**.
- Connect the oven again to the power supply.



# Technical characteristics

## Displays

Displays			Description
Display 1	Display 2	Display 3	
<b>Descaling</b>			
1		(clock)	Soft water.
2	---		Medium water.
3	---		Hard water.
CAL	---		Appliance must be descaled. Flashing – descaling starts.
0.5L	---	(clock)	Feed 0.6 litre descaling solution into the water tank.
1.0L	---	(clock)	Feed 1 litre cold water into the water tank for rinsing.
<b>Water level</b>			
-L0-	---	(Clock or time setting)	Insufficient water in water tank.
-L0- to -L2	---	(Clock or time setting)	Water level indication: -L4- for a complete tank and -L1- for low tank level.
<b>Water tank</b>			
rES	---/(Temperature or foodstuff group)	(Clock or time setting)	Indication that water tank is missing.
dEP	---	(Clock)	The water tank must be removed, emptied and reinserted.
<b>Special functions</b>			
(Water level)	A1 to A5	(Time setting)	Special functions with predefined temperatures and times.
	b1 to b5		
	c1 to c5		
	d1 to d5		
<b>Heating up</b>			
(Water level)	r1 to r5	(Time setting)	Special functions with predefined temperatures and times.
<b>Steam reduction</b>			
VAP	---	(Clock)	Indication that steam reduction process is ongoing.
PUMP	---	(Clock)	Indication that cold water is entering the boiler and hot water is being pumped to the water tank.
FULL	---	(Clock)	The water tank must be removed, emptied and reinserted.
<b>System warnings</b>			
---	LAMP	(Clock)	Damaged lamp.
---	HOT	(Clock)	Temperature in the PCB is too high.
---	Err_	(Clock)	Contact the Customer Service

**Specifications**

- AC Voltage..... (see rating plate)
- Power required ..... 2900 W
- Current required..... 13 A
- Steam power ..... 1500 W
- Broiler power ..... 1200 W
- Convection power ..... 1600 W
- Exterior dimensions (W×H×D)..... 29 <sup>3</sup>/<sub>4</sub> x 18 <sup>5</sup>/<sub>8</sub> x 21 <sup>1</sup>/<sub>2</sub>
- Interior dimensions (W×H×D)..... 16 <sup>1</sup>/<sub>2</sub> x 8 <sup>1</sup>/<sub>4</sub> x 15 <sup>1</sup>/<sub>2</sub>
- Oven capacity ..... 1,34 ft<sup>3</sup>
- Weight ..... 78 lbs



# Installation instructions

## Before installation

**Check that the input voltage** indicated on the rating plate is the same as the voltage of the power outlet you are going to use. The rating plate is located on the front part of the cavity and it is only visible after opening the door.

If required by the National Electrical Code (or Canadian Electrical Code), this appliance must be installed on a separate branch circuit.

Installer – show the owner the location of the circuit breaker or fuse. Mark it for easy reference.

Before installing, turn power OFF at the service panel. Lock service panel to prevent power from being turned ON accidentally.

Be sure your appliance is properly installed and grounded by a qualified technician. Installation, electrical connections and grounding must comply with all applicable codes.

Open the oven door and **take out all the accessories** and remove the packing material.

**Warning!** The front surface of the oven may be wrapped with a **protective film**. Before using the oven for the first time, carefully remove this film, starting on the inside.

**Make sure that the oven is not damaged in any way.** Check that the oven door closes correctly and that the interior of the door and the front of the oven opening are not damaged. If you find any damage contact the Technical Assistance Service.

**DO NOT USE THE OVEN** if the metal conduit is damaged, if the oven does not function correctly or if it has been damaged or dropped. Contact the Technical Assistance Service.

Place the oven on a flat and stable surface. The oven must not be put close to any sources of heat, radios or televisions.

## Electrical supply

Before installing the oven have a qualified electrician verify that your home is provided with adequate electrical service and that the addition of the oven will not overload the branch circuit on which it is to be installed.

A separate three-wire or four-wire single phase, 240 Volt, 60 Hz, branch circuit is required.

For hook-up of the oven you will need to have an approved junction box installed where it will be easily reached through the front of the cabinet where the oven will be located. The oven has 3 feet of conduit.

Allow two to three feet of slack in the line so that the oven can be moved if servicing is ever necessary.

DO NOT shorten the flexible conduit.

## Wiring requirements

When making the wire connections, use the entire length of the conduit provided (3 feet). The conduit must not be cut.

Before making connections make sure the power is off and read and observe the following:

1. A separate three-wire or four-wire, single phase, 240 Volt, 60 Hz branch circuit is required for the oven.
2. The oven must be connected with Copper or Aluminum wire.
3. In the United States:

Wiring must conform to the National Electrical Code, ANSI/NFPA No. 7 latest edition. You can obtain a copy of the National Electrical Code by writing to: National Fire Protection Association Battery Park Quincy, MA 02269

## Installation instructions

In Canada:

Wiring must conform to Canadian Electrical Code C22.1- latest edition. You can obtain a copy of the Canadian Electrical Code by writing to: Canadian Standards Association 178 Rexdale Boulevard Rexdale (Toronto), Ontario, Canada M9W 1R3

4. Wire size (Copper or Aluminum wire) and connections must be suitable for the rating of the appliance as per the National Electrical Code requirements. The flexible armoured cable extending from the oven should be connected directly to the junction box.
5. The junction box should be located so as to allow as much slack as possible between the junction box and the oven so it can be moved if servicing is ever required.
6. A U.L. listed conduit connector must be provided at each end of the power supply cable.

### Electrical connections

**Be sure your appliance is properly installed and grounded by a qualified technician. Ask your dealer to recommend a qualified technician or an authorized repair service.**

This appliance is manufactured with a green GROUND wire connected to the oven chassis. After making sure that the power has been turned off, connect the flexible conduit from the oven to the junction box using a U.L. listed conduit connector. The figures and the instructions provided below present the most common way of connecting the ovens.

Your local codes and ordinances, of course, take precedence over these instructions.

**WARNING” Risk of Electric Shock, frame grounded to neutral of appliance through a link.**

Grounding through the neutral conductor is prohibited for new branch-circuit installations (1996 NEC); mobile homes; and recreational vehicles, or in an area where local codes prohibit grounding through the neutral conductor. For installations where grounding through the neutral conductor is prohibited:

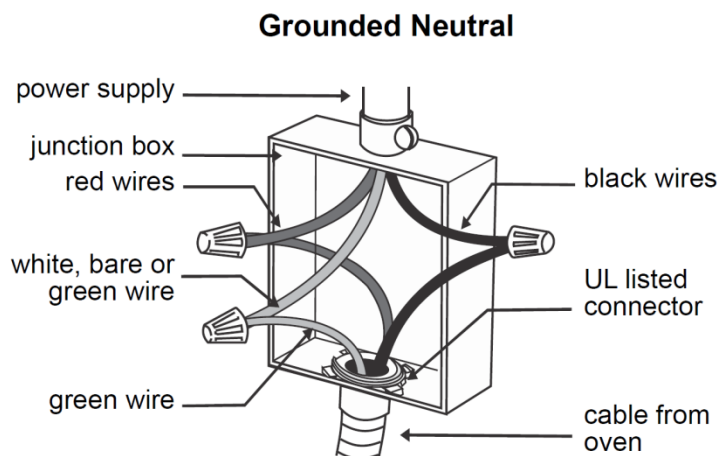
- Disconnect the ground from the neutral at free end of conduit;
- Use grounding terminal or lead to ground unit; and

- Connect neutral terminal or lead to branch circuit neutral in usual manner.

### 3-Wire branch circuit (for US only)

Refer to the following Figure, where local codes allow the connection of GROUND wire from the oven to the branch circuit NEUTRAL wire (gray or white colored wire):

- If local codes permit, connect the green GROUND wire from the oven and the white wire from the oven to the branch circuit NEUTRAL wire (gray or white colored wire).
- Connect the red and black leads from the oven to the corresponding leads in the junction box.



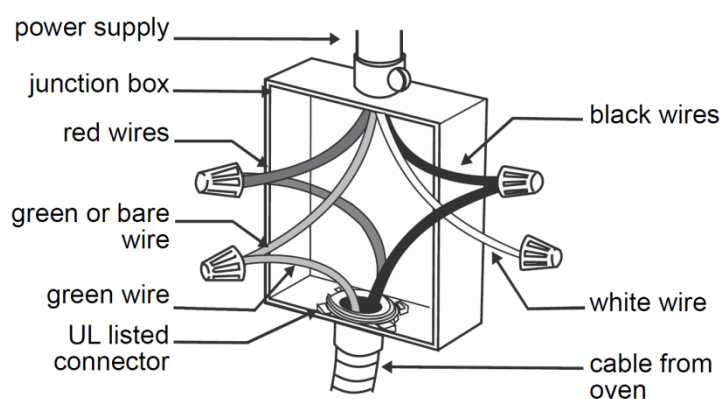
## Installation instructions

### 4-Wire branch circuit (for US and CANADA)

Refer to the following Figure:

- Disconnect ground from neutral at free end of conduit.
- Connect the green GROUND wire from the oven to the GROUND wire in the junction box (bare or green colored wire).
- Connect the red and black leads from the oven to the corresponding leads in the junction box.

#### Ungrounded Neutral



### After installation

**The oven only functions** when the door is closed correctly.

After the first use, clean the inside of the oven and the accessories, following the cleaning instructions given in the section "Oven cleaning and maintenance".

Instructions pour lier à la terre .....	37
Consignes de sécurité.....	38
Instructions de sécurité .....	41
Description de l'appareil .....	42
Installation de base .....	44
Fonctions essentielles .....	46
Fonctions spéciales .....	49
Alimentation en eau.....	52
Pendant le fonctionnement du four.....	53
Tableaux et conseils.....	55
Cuisiner au grill.....	60
Cuisiner au L'Air Chaud .....	61
Entretien .....	63
Nettoyage et maintenance de l'appareil.....	66
Que faire en cas de dysfonctionnement ?.....	67
Caractéristiques techniques.....	68
Instructions pour l'installation.....	70
Dimensions d'Installation .....	73

Cher client,

Nous vous remercions d'avoir préféré notre produit **BERTAZZONI**. Nous sommes certains que ce four à vapeur moderne, fonctionnel et pratique, fabriqué avec des matériaux de première qualité, vous donnera toute satisfaction.

Nous vous demandons une lecture attentive des instructions de ce manuel. Elles vous permettront d'utiliser votre four en obtenant les meilleurs résultats.

**CONSERVEZ TOUTE LA DOCUMENTATION DE CE PRODUIT POUR LA CONSULTER ULTÉRIEUREMENT.**

**Gardez toujours le manuel d'instructions à portée de main. Si vous cédez l'appareil à un tiers, remettez-lui également le manuel.**

Vous pouvez aussi télécharger le manuel d'utilisation sur [www.bertazzoni.com](http://www.bertazzoni.com)


# Instructions pour lier à la terre

L'appareil doit être lié à la terre. En cas de court-circuit électrique, la liaison à la terre réduit le risque de choc électrique grâce à la fuite permise par le fil de terre. L'appareil vient équipé avec un fil de terre ainsi que la prise de terre. La fiche doit être branchée dans une prise correctement installée et liée à la terre.

**Attention! UNE MAUVAISE LIAISON À LA TERRE PEUT PROVOQUER UN RISQUE DE CHOC ÉLECTRIQUE.**

S'il vous plait, consulter les instructions d'installation pour plus d'informations.

# Consignes de sécurité

 Avant d'installer et d'utiliser cet appareil, lisez soigneusement les instructions fournies. Le fabricant ne peut être tenu pour responsable des dommages et blessures liés à une mauvaise installation ou utilisation. Conservez toujours cette notice avec votre appareil pour vous y référer ultérieurement.

## MESURES DE SÉCURITÉ IMPORTANTES

**Lorsque vous utilisez des appareils électriques, des précautions de sécurité de base doivent toujours être observées, y compris ce qui suit:**

1. Installation correcte - Assurez-vous que votre appareil est correctement installé et mis à la terre par un technicien qualifié.
2. Ne jamais utiliser l'appareil pour réchauffer ou chauffer la pièce.
3. Ne pas laisser les enfants seuls - Les enfants ne doivent pas être laissés seuls ou sans surveillance dans la zone où l'appareil est en cours d'utilisation. Ils ne devraient jamais être autorisés à rester assis ou debout sur une partie de l'appareil.
4. Portez des vêtements appropriés – les vêtements larges ou vêtements suspendus ne doivent jamais être portés pendant l'utilisation de l'appareil.
5. Entretien par l'utilisateur - Ne pas réparer ou remplacer toute pièce de l'appareil à moins d'une recommandation précise dans le manuel. Tout autre entretien doit être confié à un technicien qualifié.
6. Rangement dans ou sur l'appareil: - Les matériaux inflammables ne doivent pas être stockés dans un four.
7. Ne pas utiliser d'eau sur un feu de graisse - Éteindre le feu ou les flammes, utiliser un produit chimique sec ou un extincteur à mousse.
8. Utilisez des poignées sèches - Des mitaines mouillées ou humides sur des surfaces chaudes peuvent provoquer des brûlures provenant de la vapeur. Ne pas laisser les mitaines de four toucher les éléments chauffants. Ne pas utiliser une serviette ou un tissu épais.
9. Utilisation prudente de l'ouverture de la porte - Laissez l'air chaud ou la vapeur s'évaporer avant de retirer ou de remplacer la nourriture.
10. Ne pas chauffer des récipients fermés - L'accumulation de pression peut faire exploser le récipient et causer des blessures.
11. Gardez les conduites de ventilation du four non obstruées
12. Placement des grilles du four - Toujours placer les grilles à l'emplacement désiré lorsque le four est froid.
13. Si la grille doit être déplacée pendant que le four est chaud, ne pas laisser les mitaines dans le four.

# Consignes de sécurité

14. NE PAS TOUCHER LES ÉLÉMENTS CHAUFFANTS OU LES SURFACES INTÉRIEURES DU FOUR - Les éléments chauffants peuvent être chauds même si ils sont en couleur foncée.
  15. Les surfaces intérieures d'un four deviennent assez chaudes pour causer des brûlures. Pendant et après l'utilisation, ne pas toucher, laisser des vêtements ou d'autres matériaux inflammables en contact avec les éléments chauffants ou les surfaces intérieures du four avant qu'ils aient eu le temps de refroidir.
- Ce Four à Vapeur est destiné à un usage domestique!

# Consignes de sécurité

## Sécurité des enfants et des personnes vulnérables

- ⚠ **AVERTISSEMENT!** Risque d'asphyxie, de blessure ou d'invalidité permanente.
- Cet appareil peut être utilisé par des enfants de plus de 8 ans, ainsi que des personnes dont les capacités physiques, sensorielles et mentales sont réduites ou dont les connaissances et l'expérience sont insuffisantes, à condition d'être surveillés par une personne responsable de leur sécurité.
- Ne laissez pas les enfants jouer avec l'appareil.
- Ne laissez pas les emballages à la portée des enfants. **Risque d'asphyxie!**
- ⚠ **AVERTISSEMENT!** Tenez les enfants éloignés de l'appareil lorsqu'il est en cours de fonctionnement ou lorsqu'il refroidit. Les parties accessibles sont chaudes.
- Les enfants ne doivent pas nettoyer ni entreprendre une opération de maintenance sur l'appareil sans surveillance.

## Sécurité générale

- Pendant l'installation, suivez les instructions fournies séparément.
- Repair and maintenance work, especially of current carrying parts, can only be carried out by technicians authorized by the manufacturer.
- ⚠ **AVERTISSEMENT!** L'intérieur de l'appareil devient chaud lorsqu'il est en fonctionnement. Ne touchez pas les éléments chauffants se trouvant dans l'appareil. Utilisez toujours des gants de cuisine pour retirer ou enfourner des accessoires ou des plats allant au four.
- La température des surfaces accessibles peut être élevée pendant le fonctionnement de l'appareil.
- N'utilisez pas de nettoyeur vapeur pour nettoyer l'appareil.
- N'utilisez pas de produits abrasifs ni de racloirs pointus en métal pour nettoyer l'appareil.
- Prévoir, pour l'installation électrique, un dispositif permettant de débrancher l'appareil du secteur au niveau de tous les pôles une ouverture des contacts d'au moins 3 mm. Sont considérés comme appropriés des dispositifs de protection tels que par ex. les disjoncteurs, les fusibles (dévisser les fusibles de leur socle), les disjoncteurs différentiels et les contacteurs.
- L'encastrement doit garantir la protection contre tout contact.
- Si le câble d'alimentation est endommagé, il ne doit être remplacé que par un professionnel qualifié afin d'éviter tout danger.
- Avant toute opération de maintenance, déconnectez l'alimentation électrique.



## Instructions de sécurité

### ATTENTION!

Avant de brancher l'appareil, comparez-en les données (tension et fréquence) indiquées sur la plaque des caractéristiques avec celles de votre réseau électrique. Elles doivent correspondre, pour éviter tout problème. En cas de doute, appelez un électricien.

### ATTENTION!

Si la prise de l'appareil doit être changée, l'installation et le branchement doivent être effectués par un technicien. Adressez-vous à un électricien attitré qui respecte les normes de sécurité. La responsabilité du fabricant n'est pas engagée pour des dommages provenant d'une erreur de montage ou de branchement.

### ATTENTION!

La sécurité électrique de l'appareil n'est assurée que s'il est relié à la terre. La responsabilité du fabricant n'est pas engagée pour des dommages provenant d'un manque ou d'un défaut du système de protection de l'installation (choc électrique par exemple).

### ATTENTION!

Ne mettez l'appareil en marche qu'une fois celui-ci dûment encastré, car c'est la seule façon d'interdire l'accès aux composants électriques.

### ATTENTION!

N'ouvrez jamais la structure de l'appareil. D'éventuels contacts avec les pièces conductrices

ou modifications des composants électriques ou mécaniques peuvent constituer un danger pour la sécurité de l'utilisateur et perturber le bon fonctionnement de l'appareil.

### ATTENTION!

Les réparations et entretiens, tout particulièrement sur les pièces sous tension, ne peuvent être effectués que par des techniciens agréés par le fabricant. **Le fabricant et les revendeurs déclinent toute responsabilité** pour d'éventuels dommages, causés aux personnes, aux animaux ou aux biens, qui découlent de réparations ou entretiens effectués par des personnes non autorisées.

### ATTENTION!

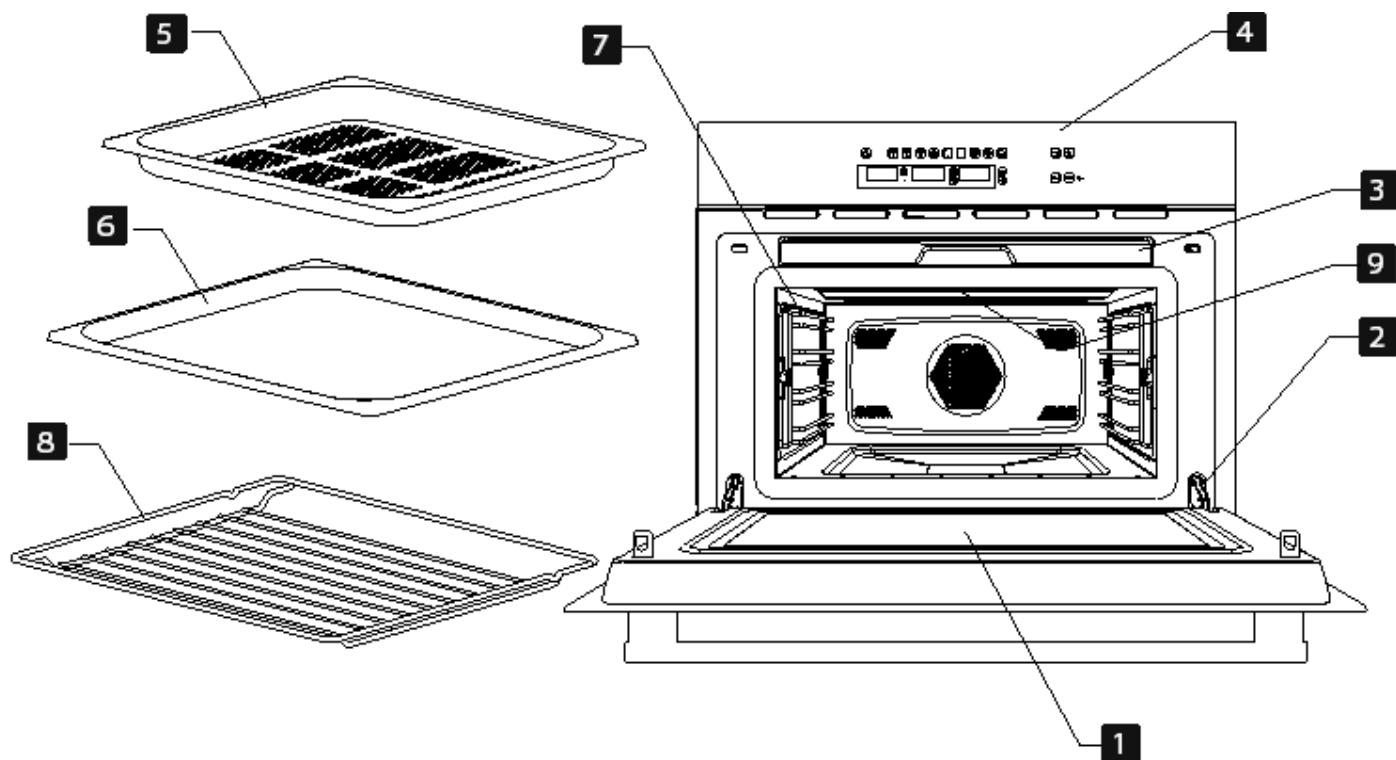
Les réparations au cours de la période de garantie ne doivent être exécutées que par des techniciens agréés par le fabricant. Dans le cas contraire, tout dommage provenant de ces réparations est exclu de la garantie.

### ATTENTION!

L'appareil doit être débranché du réseau électrique quand sont effectués les travaux d'installation et de réparation. Pour que l'appareil soit débranché, vous devez constater l'une des conditions suivantes:

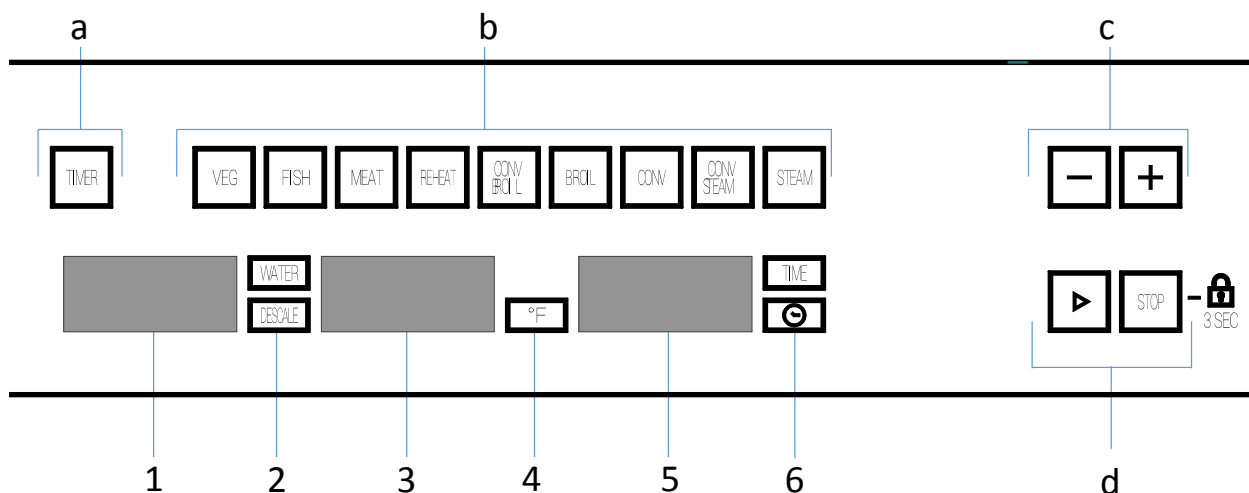
- Les fusibles/disjoncteur du tableau électrique sont débranchés.
- L'appareil est débranché de la prise murale, ce qui doit être fait en tirant sur la prise de l'appareil et non sur le câble électrique.

## Description de l'appareil



1. – Porte vitrée  
 2. – Fermetures de sécurité  
 3. – Ampoule  
 4. – Panneau de contrôle

5. – Bac de cuisson non-perforé  
 6. – Bac de cuisson perforé  
 7. – Rayonnages  
 8. – Grille









- a. – Voyant de la minuterie  
 b. – Voyant de fonctionnement  
 c. – Touches « + » et « - »  
 d. – Touches marche et arrêt

1. – Affichage et réglage du niveau d'eau / de détartrage  
 2. – Voyants du niveau d'eau / de détartrage  
 3. – Affichage et réglage température / poids  
 4. – Touche température / groupe de nourriture  
 5. – Affichage et réglage de l'heure / de la durée / du type de nourriture  
 6. – Voyants de l'heure / de la durée / du type de nourriture

## Description de l'appareil

### Description des fonctions

Symbole	Fonction	Nourriture
	Vapeur	Cuisson de toute sorte de légumes, riz, céréales et viande. Extraction du jus des baies. Action conjointe de décongélation et de cuisson des légumes.
	L'air chaud + Vapeur	Gratins, ragoûts et viandes
	L'air chaud	Gâteaux, pains et rôtis.
	Gril	Steaks, poissons et saucisses et de pain grillé brunissement et gratins.
	Gril + L'air chaud	Cuisson de morceaux de poissons ou de viande. Grillades de volaille. Pommes de terre - dégel produits et brunissement congelés.
	Régénération & stérilisation	Régénération des plats et des plats préparés. Stérilisation / cuisson des fruits.

## Installation de base

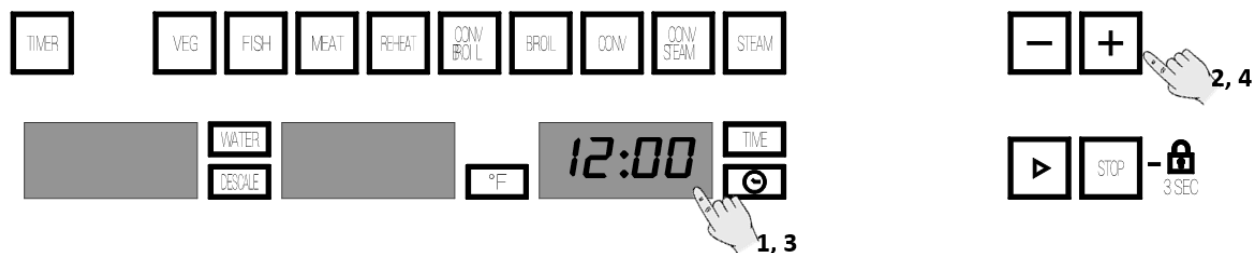
### Installation initiale

Après raccordement à la ligne de votre four à vapeur ou après une coupure de courant, l'affichage de l'heure clignote pour indiquer que l'heure n'est pas correcte. Le four ne fonctionnera

pas jusqu'à ce que l'heure, le paramètre de dureté de l'eau et la calibration ne soient réglés.

Pour régler l'heure et le paramètre de dureté de l'eau, suivez les consignes mentionnées dans les chapitres suivants.

### Réglage de l'heure



Pour régler l'heure, procédez comme suit :

1. Appuyez sur la touche **Heure**. Les chiffres des heures clignoteront (pas nécessaire si votre four à vapeur est branché pour la première fois ou après une coupure de courant).
2. Appuyez sur les touches « + » et « - » pour remettre l'heure exacte.

3. Appuyez à nouveau sur la touche **Heure** pour régler les minutes. Les chiffres des minutes clignoteront.
4. Appuyez sur les touches « + » et « - » pour remettre les minutes exactes.
5. Pour finir, appuyez à nouveau sur la touche **Heure**.

### Masquer/montrez l'heure

Si l'affichage de l'heure ne vous convient pas, vous pouvez le masquer en gardant la touche **Clock (Heure)**.

Si vous souhaitez à nouveau afficher l'heure, appuyez à nouveau sur la touche Clock (Heure).

### Réglage de la dureté de l'eau

L'appareil est équipé d'un système qui détecte automatiquement lorsqu'un détartrage est nécessaire. Le système peut être optimisé pour les foyers disposant d'une eau très douce (même si celle-ci résulte de l'utilisation d'un adoucisseur d'eau) et disposant d'une eau très dure, en changeant les réglages de la dureté de l'eau de l'utilisateur (voir le tableau ci-dessous). Pour régler les paramètres de dureté de l'eau, procédez comme suit :

1. Appuyez sur la touche **Descale (Détartrage)**. Les chiffres de la dureté clignoteront sur l'affichage

détartrage (pas nécessaire si votre four à vapeur est branché pour la première fois ou après une coupure de courant).

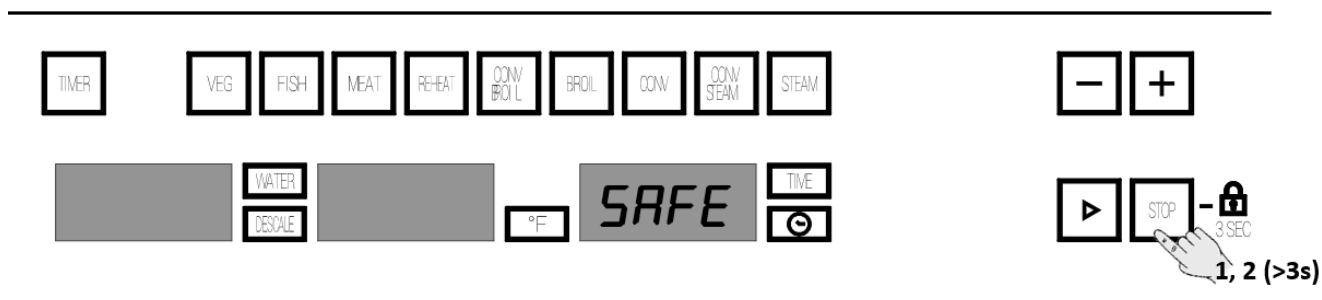
2. Appuyez sur les touches « + » et « - » pour régler correctement le paramètre de dureté de l'eau, en fonction du tableau ci-dessous.
3. Appuyez sur la touche **Descale (Détartrage)** pour enregistrer le paramètre. L'affichage Détartrage s'éteint.

Type	Dureté de l'eau				Affichage
	Ca + mg (ppm)	Degrés anglais [°da]	Degrés français [°df]	Degrés allemands [°da]	
Douce	0 à 150	0 à 11	0 à 15	0 à 8	1
Moyenne	151 à 350	12 à 25	16 à 35	9 à 20	2
Dure	351 à 500	26 à 35	36 à 50	21 à 28	3

## Installation de base

### Dispositif de sécurité

Le fonctionnement du four peut être bloqué (par exemple, pour éviter que les enfants ne l'utilisent).



1. Pour bloquer le four, appuyez sur la touche **Stop** pendant 3 secondes. Vous entendrez un signal sonore et le mot « **SAFE** (SECURITE) » sera **affiché**. Le four est alors bloqué et ne peut pas être utilisé.

2. Pour débloquer le four, appuyez sur la touche **Stop** pendant 3 secondes. Vous entendrez un signal sonore et l'heure sera à nouveau **affichée**.

### Minuterie

La minuterie fonctionne comme un minuteur. Elle peut être utilisée à n'importe quel moment et indépendamment de toutes les autres fonctions.



Pour régler la minuterie, procédez comme suit :

1. Appuyez sur la touche **Minuterie**. La touche de fonction s'allume et l'affichage de l'heure clignote.
2. Appuyez sur les touches « + » et « - » pour remettre la minuterie.
3. Appuyez sur la touche **Minuterie** pour enregistrer. La minuterie commencera à décompter.

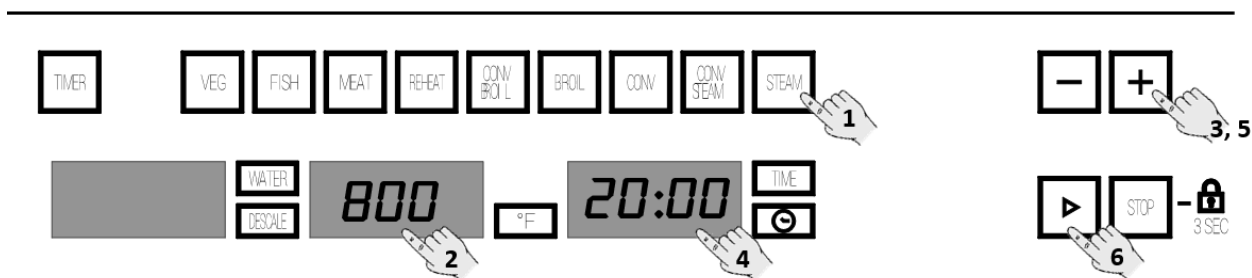
Quand le temps indiqué s'est écoulé, le four émettra un bip qui se répétera toutes les 30 secondes ou jusqu'à ce que vous ayez appuyé sur les touches **Minuterie** ou **Stop**.

Pendant le fonctionnement de la minuterie, le voyant de la minuterie est allumé. L'affichage et les voyants indiquent les éléments suivants :

1. En l'absence d'autres fonctions, l'affichage de l'heure indique le décompte de la minuterie.
2. Si une fonction est active, les affichages et les voyants indiquent les paramètres normaux de fonction. Pour vérifier le temps qu'il reste, appuyez sur la touche Timer (Minuterie). L'affichage de l'heure indiquera brièvement la minuterie et les indications de la fonction s'afficheront à nouveau après 10 secondes ou une fois que la touche Timer (Minuterie) ait été appuyée.

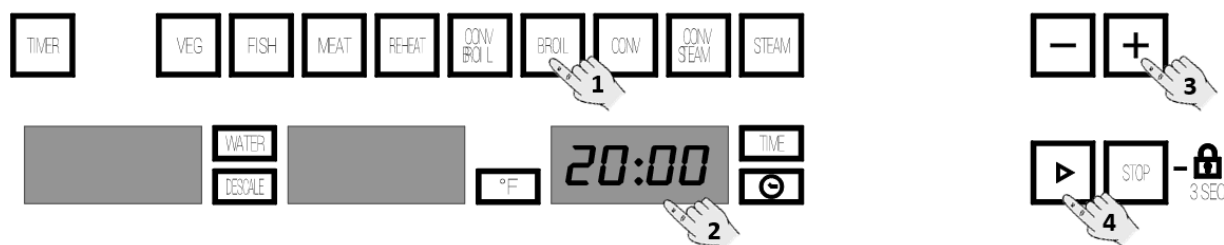
## Fonctions essentielles

### Fonction vapeur



1. Appuyez sur la touche **Fonction Vapeur**. La touche fonction s'allume.
2. Appuyez sur la touche **Température** pour régler la température souhaitée. Le voyant respectif clignotera. Si vous n'appuyez pas sur cette touche, le four fonctionnera à 100 °C.
3. Pour changer la température, appuyez sur les touches « + » et « - ».
4. Appuyez sur la touche **Durée** pour changer le temps de fonctionnement. Le voyant respectif clignotera. Ce réglage est optionnel. Passez directement au point 6 si vous ne souhaitez pas régler la durée.
5. Sélectionner le temps de fonctionnement que vous souhaitez en appuyant sur les touches « + » et « - » (par exemple, pour 20 minutes).
6. Appuyez sur la touche **Start** (Démarrer). Le four commencera à fonctionner.

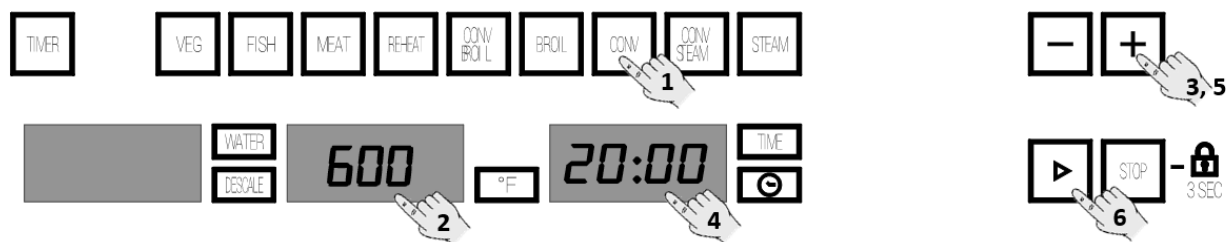
### Gril



1. Appuyez sur la touche **Grill**. La touche fonction s'allume.
2. Appuyez sur la touche **Durée** pour changer le temps de fonctionnement. Le voyant respectif clignotera.
3. Sélectionner le temps de fonctionnement que vous souhaitez en appuyant sur les touches « + » et « - » (par exemple, pour 20 minutes).
4. Appuyez sur la touche **Start** (Démarrer). Le four commencera à fonctionner.

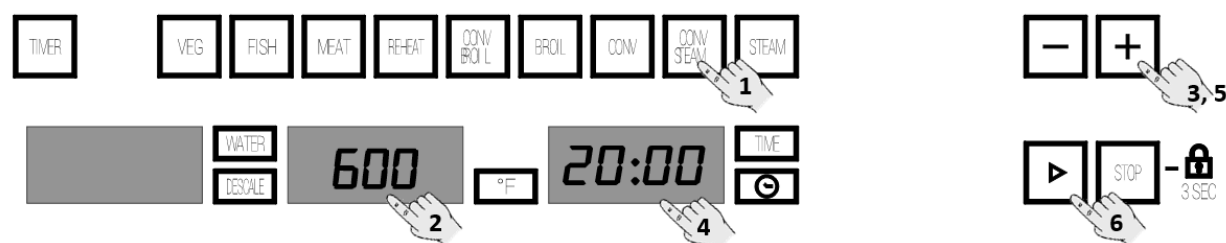
## Fonctions essentielles

### Chaleur tournante



1. Appuyez sur la touche **Chaleur tournante**. La touche fonction s'allume.
2. Appuyez sur la touche **Température** pour régler la température souhaitée. Le voyant respectif clignotera. Si vous n'appuyez pas sur cette touche, le four fonctionnera à 160 °C.
3. Pour changer la température, appuyez sur les touches « + » et « - ».
4. Appuyez sur la touche **Durée** pour changer le temps de fonctionnement. Le voyant respectif clignotera..
5. Sélectionner le temps de fonctionnement que vous souhaitez en appuyant sur les touches « + » et « - » (par exemple, pour 20 minutes).
6. Appuyez sur la touche **Start** (Démarrer). Le four commencera à fonctionner.

### Chaleur tournante + Vapeur

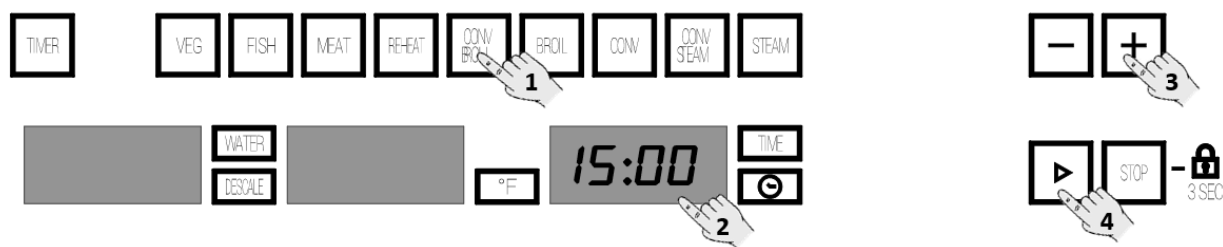


1. Appuyez sur la touche **Chaleur tournante + Vapeur** La touche fonction s'allume.
2. Appuyez sur la touche **Température** pour régler la température souhaitée. Le voyant respectif clignotera.
3. Pour changer la température, appuyez sur les touches « + » et « - ».
4. Appuyez sur la touche **Durée** pour changer le temps de fonctionnement. Le voyant respectif clignotera..
5. Sélectionner le temps de fonctionnement que vous souhaitez en appuyant sur les touches « + » et « - » (par exemple, pour 20 minutes).
6. Appuyez sur la touche **Start** (Démarrer). Le four commencera à fonctionner.

## Fonctions essentielles

### Gril + Fan

Utilisez cette fonction pour cuire les aliments de façon uniforme et en même temps vous obtenez un brun doré.



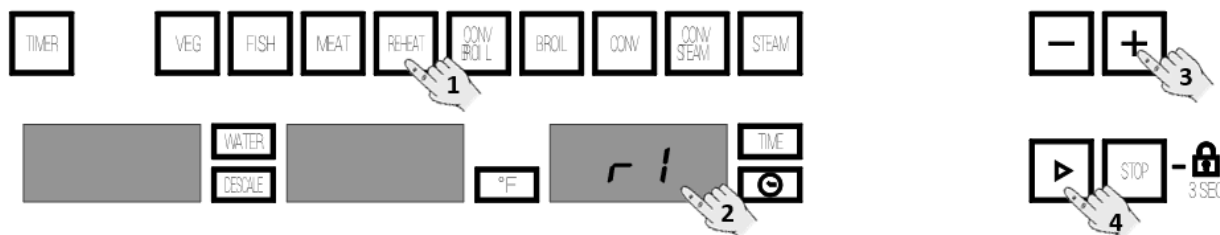
1. Appuyez sur la touche **Grill + Fan**. La touche fonction s'allume.
2. Appuyez sur la touche **Durée** pour changer le temps de fonctionnement. Le voyant respectif clignotera.
3. Sélectionner le temps de fonctionnement que vous souhaitez en appuyant sur les touches « + » et « - » (par exemple, pour 25 minutes).
4. Appuyez sur la touche **Start** (Démarrer). Le four commencera à fonctionner.



## Fonctions spéciales

### Régénération & Stérilisation

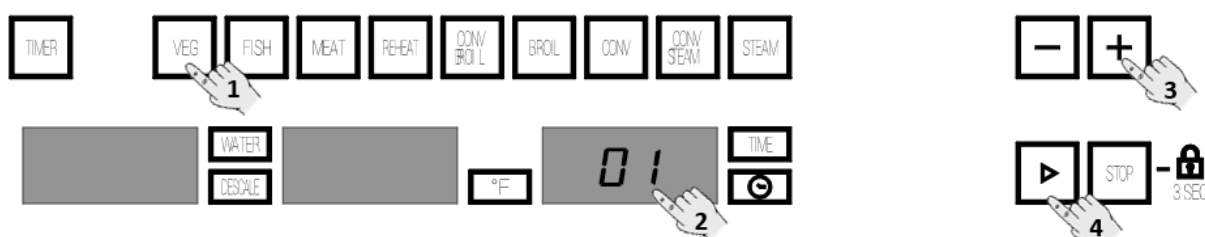
Utilisez cette fonction pour régénérer des plats et des plats préparés ou pour stériliser et cuisiner des fruits.



1. Appuyez sur la touche **Regenerating Function (fonction régénération)**. La touche fonction s'allume.
2. Appuyez sur la **touche Food group (groupe de nourriture)** pour changer le type de nourriture. Le voyant respectif clignotera.
3. Pour changer le programme, appuyez sur les touches « + » et « - », par exemple « r 01 » (voir le tableau suivant).
4. Appuyez sur la touche **Start (Démarrer)**. Le four commencera à fonctionner.

Programme	Type de nourriture	Température °F	Temps (min)	Instructions
r 1	Plats	210	13	
r 2	Plats préparés / congelés	210	18	Retirez le couvercle du récipient et positionner le sur la grille.
r 3	Haricots	210	35	Stérilisation :
r 4	Cerises	175	35	Les temps et températures sont basés sur des récipients de 1L.
r 5	Prunes	195	35	

### Fonction de cuisson automatique : LÉGUMES



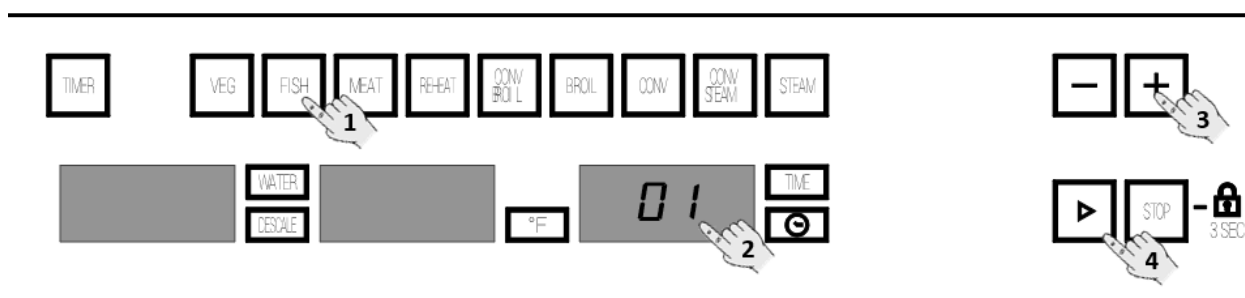
1. Appuyez sur la touche de fonction : Légumes. La touche fonction s'allume.
2. Appuyez sur la **touche groupe de nourriture** pour changer le type de nourriture. Le voyant respectif clignotera.
3. Appuyez sur les touches « + » et « - » pour changer le programme, par exemple « 01 » (voir le tableau suivant).
4. Appuyez sur la touche **Start (Démarrer)**. Le four commencera à fonctionner.

## Fonctions spéciales

Programme	Type de légumes	Température °F	Temps (min)
01	Brocoli / fleurette	210	20
02	Chou-fleur / fleurette	210	25
03	Pommes de terre / morceaux	210	25
04	Pois	210	15
05	Asperges	210	25
06	Carottes	210	25

### Fonction de cuisson automatique: POISSON

Utiliser cette fonction pour la cuisson de pain selon le tableau ci-dessous.

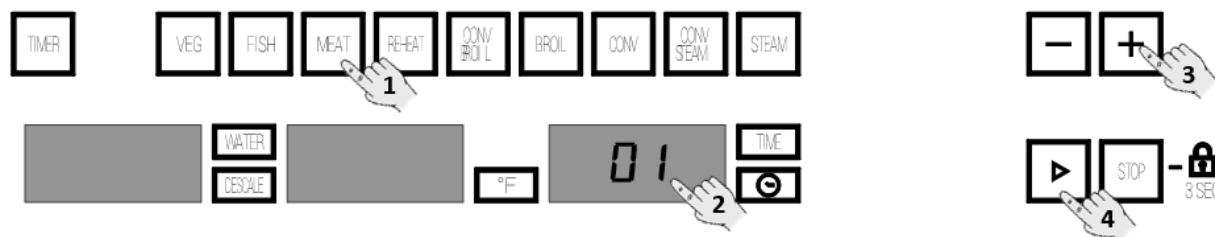


1. Appuyez sur la touche de fonction: **Poisson**. La touche fonction s'allume.
2. Appuyez sur la **touche groupe de nourriture** pour changer le type de nourriture. Le voyant respectif clignotera.
3. Appuyez sur les touches « + » et « - » pour changer le programme, par exemple « 01 » (voir le tableau suivant).
4. Appuyez sur la touche **Start (Démarrer)**. Le four commencera à fonctionner.

Programme	Type de poisson	Température °F	Temps (min)
01	Truite	175	25
02	Crevette	195	15
03	Filet de poisson	175	18
04	Moules	210	25
05	Homard	210	30

## Fonctions spéciales

### Fonction de cuisson automatique: VIANDE



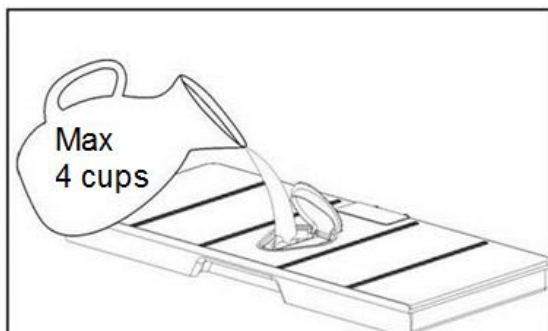
1. Appuyez sur la touche de fonction: **V viande**. La touche fonction s'allume.
2. Appuyez sur la **touche groupe de nourriture** pour changer le type de nourriture. Le voyant respectif clignotera.
3. Appuyez sur les touches « + » et « - » pour changer le programme, par exemple « 01 » (voir le tableau suivant).
4. Appuyez sur la touche **Start (Démarrer)**. Le four commencera à fonctionner.

Programme	Type de viande	Température °F	Temps (min)
01	Blanc de poulet	210	30
02	Bacon / morceaux	210	45
03	Escalope de dinde	210	20
04	Filet de porc, entier	210	25
05	Saucisses de Vienne	210	15

## Alimentation en eau

### Remplir le réservoir d'eau

Il est nécessaire que le réservoir d'eau soit plein pour que l'appareil fonctionne correctement. Remplissez le réservoir d'eau jusqu'au niveau maximum indiqué par la marque « MAX », en utilisant de l'eau potable froide et introduisez le réservoir dans l'emplacement situé au dessus de la cavité (approximativement 4 verres/ 1L). Si l'indication « rES » s'allume, cela signifie que le réservoir d'eau n'a pas été correctement positionné.



### Indication du niveau d'eau

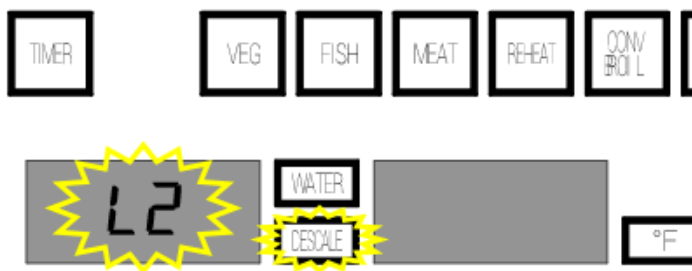
Le niveau du réservoir d'eau est indiqué sur quatre niveaux :

“-L0-“ 0%-20%

“-L1-“ 20%-60%

“-L2-“ 60%-100%

Ces indications sont affichées dans la partie la plus à gauche du cadran.



**Remarque : Pour remplir le réservoir, retirer le complètement. Attendez approximativement >20 secondes avant d'installer à nouveau le réservoir d'eau.**

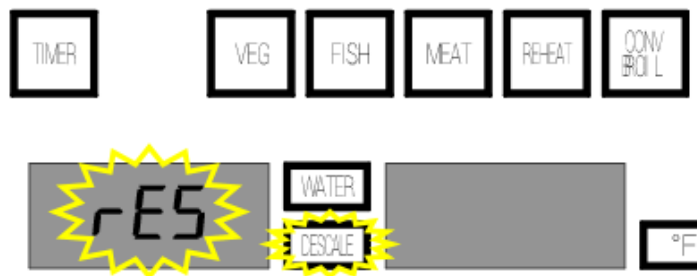
### Remplir à nouveau l'eau

Le contenu du réservoir d'eau suffit normalement pour une cuisson de 50 à 60 minutes. Si, néanmoins, il est nécessaire de remplir à nouveau le réservoir d'eau, cela sera signalé par un message “-L0-” qui signifie que le réservoir d'eau est vide.

**Attention ! Ne remplissez le réservoir d'eau qu'à un maximum de 2 verres pour vous assurer que l'eau ne déborde pas lorsqu'elle sera renvoyée dans le réservoir. RISQUE DE DEBORDEMENT.**

### Message concernant le réservoir d'eau

Quand le réservoir est enlevé ou mal positionné, l'affichage du niveau d'eau indique le message « RES ».



Pour que le message disparaisse, positionnez correctement le réservoir.

### Vider le réservoir d'eau

Quand l'appareil est éteint, l'eau résiduelle est renvoyée dans le réservoir. Pendant que l'eau est renvoyée, l'affichage indique « PUMP ». Ce message reste affiché jusqu'à ce que la température de l'eau atteigne 167° F, température à partir de laquelle elle sera renvoyée dans le réservoir.

**Attention ! L'eau dans le réservoir peut être chaude. Risque de brûlures !**

Une fois que l'eau a été renvoyée dans le réservoir d'eau, l'affichage indiquera le message « DEP » qui nécessite de procéder aux actions suivantes :

1. Retirez et videz le réservoir d'eau.
2. Séchez le réservoir d'eau et réintroduisez le dans l'emplacement situé au-dessus de la cavité. Nettoyez et séchez l'enceinte de cuisson.
3. Maintenez la porte de l'appareil ouverte pour laisser l'enceinte de cuisson refroidir et sécher complètement.

**NOTE IMPORTANTE : Il est conseillé de retirer le réservoir d'eau et de le vider après chaque cycle de cuisson. Ceci permet d'éviter la prolifération de bactéries et la formation de calcaire dans l'appareil.**

L'avertissement peut être éliminé en appuyant sur la touche **Stop** et en poursuivant le nouveau cycle de cuisson sans retirer et vider le réservoir d'eau.

## Pendant le fonctionnement du four...

### Interrompre un cycle de cuisson

Vous pouvez interrompre un la cuisson à n'importe quel moment en appuyant une seule fois sur la touche **Stop**.

Le four est équipé d'une fonction de réduction de vapeur qui est activée quand la touche **Stop** est appuyée afin de graduellement laisser la vapeur s'échapper de la cavité, pour qu'il n'y ait pas un nuage de vapeur soudain lorsque la porte de l'appareil est ouverte.

Cette fonction prend à peu près 3 minutes et pendant son fonctionnement, le mot « VAP » est affiché.

**Attention ! Lorsque vous ouvrez la porte pendant la cuisson ou à la fin de celle-ci, prenez garde à l'évacuation de l'air chaud et / ou de la vapeur qui s'échappe de l'enceinte de cuisson. Reculez ou mettez-vous sur le côté pour éviter les brûlures.**

A ce moment là:

- Le générateur de vapeur est interrompu.
- Les murs de la cavité et le réservoir sont encore très chauds. **Risque de brûlures !**
- La minuterie s'arrête et l'affichage indique le temps de fonctionnement restant (si celui-ci avait été réglé).

Si vous le souhaitez, à ce moment là, vous pouvez :

1. Tourner ou mélanger la nourriture pour vous assurer qu'elle soit cuite uniformément.
2. Changer les paramètres de cuisson.

Pour recommencer, fermer la porte et appuyer sur la touche **Start (Démarrer)**.

### Changer les paramètres

Il est possible de changer les paramètres de fonctionnement (temps et température) seulement quand la cuisson a été interrompue, en procédant comme suit :

3. Pour changer le temps, appuyez sur les touches « + » et « - ». Le nouveau temps réglé est immédiatement validé.
4. Pour changer la température, appuyez sur la touche de sélection de la température et l'affichage et le voyant respectif clignoteront. Pour changer le paramètre, appuyez sur les touches « + » et « - » et confirmez votre

sélection en appuyant à nouveau sur la touche de sélection de la température.

### Annuler un cycle de cuisson

Si vous souhaitez annuler le cycle de cuisson, appuyez sur la touche **Stop** deux fois.

Vous entendrez 3 bips et le message « End » s'affichera.

### Fin du cycle de cuisson

A la fin d'une durée déterminée ou quand vous appuyez sur la touche **Stop** pour signifier la fin du cycle de cuisson, la fonction de réduction de vapeur du four se met en marche.

Cette fonction laisse la vapeur s'échapper graduellement de la cavité, pour qu'il n'y ait pas un nuage de vapeur soudain lorsque la porte de l'appareil est ouverte.

Cette fonction prend à peu près 3 minutes et pendant son fonctionnement, le mot « VAP » est affiché.

A la fin du processus, vous entendrez trois bips et le mot « **End** » s'affichera”.

**Attention ! Lorsque vous ouvrez la porte pendant la cuisson ou à la fin de celle-ci, prenez garde à l'évacuation de l'air chaud et / ou de la vapeur qui s'échappe de l'enceinte de cuisson. Reculez ou mettez-vous sur le côté pour éviter les brûlures.**

Les bips se répètent toutes les 30 secondes jusqu'à ce que la porte soit ouverte ou que vous appuyiez sur la touche **Stop**.

Le ventilateur de refroidissement fonctionne encore un certain temps après que l'appareil ait été éteint. C'est une fonction normale qui

permet de diminuer la température à l'intérieur du four.

Lorsque l'affichage indique le mot « DEP », cela signifie que l'eau a été renvoyée dans le réservoir d'eau et que celui-ci peut être retiré.

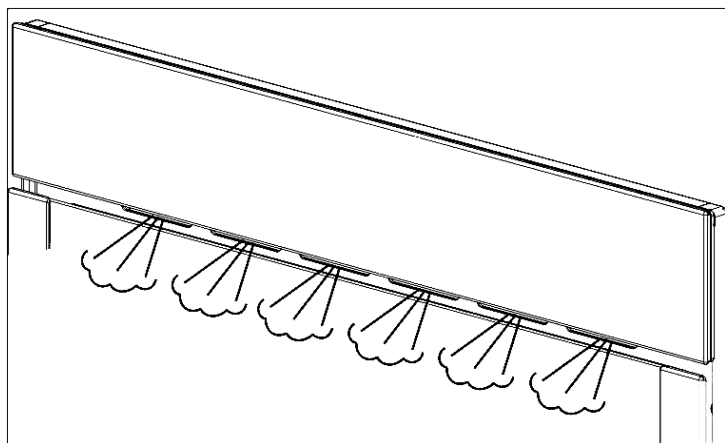
Retirez le réservoir d'eau et séchez-le complètement. Laissez l'espace cuisson se refroidir pendant un moment, puis nettoyez-le et séchez-le avec un chiffon. La porte de l'appareil doit rester ouverte un petit moment pour que celui-ci puisse sécher complètement.

## Pendant le fonctionnement du four...

### Écoulement de vapeur

Il est normal qu'il y ait un écoulement de vapeur intermittent sortant de la partie frontale du four.

Cela est spécialement visible en hiver ou dans un environnement très humide.



### Eau résiduelle dans le four

Afin de diminuer la quantité d'eau résiduelle dans le four, il est conseillé de placer un plateau en métal sur la grille inférieure. Le liquide condensé commence à suinter de la nourriture et goutte en eau résiduelle dans le plateau. Ce qui reste d'eau résiduelle peut être facilement essuyée avec un chiffon.

## Tableaux et conseils

### Utilisation des accessoires

Le bac de cuisson perforé sert à étuver des légumes, de la viande ou de la volaille frais ou congelés. Il est donc important que le bac de cuisson non perforé soit placé au premier niveau des supports en partant du bas. L'humidité va ainsi s'y déposer en gouttelettes et ne salira pas l'appareil. Le bac perforé contenant les aliments doit être placé au deuxième niveau en partant du bas.

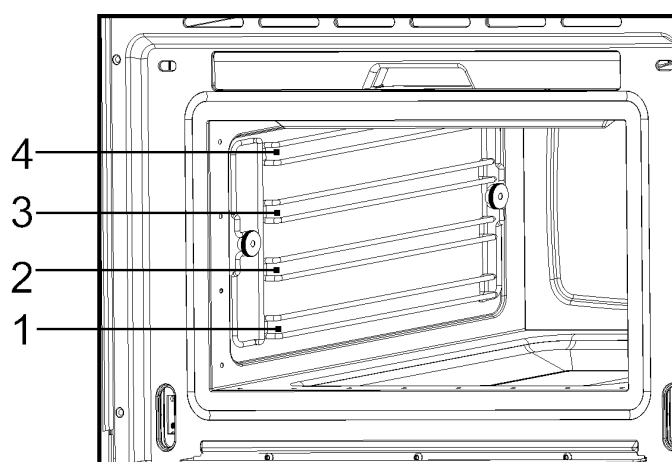
Le bac non perforé sert à étuver les aliments délicats, par ex. de la compote, des quenelles et les plats à base d'eau.

La grille s'utilise pour étuver les récipients de cuisson plus petits que l'emplacement prévu comme par exemple des coupes à dessert et pour régénérer des assiettes.

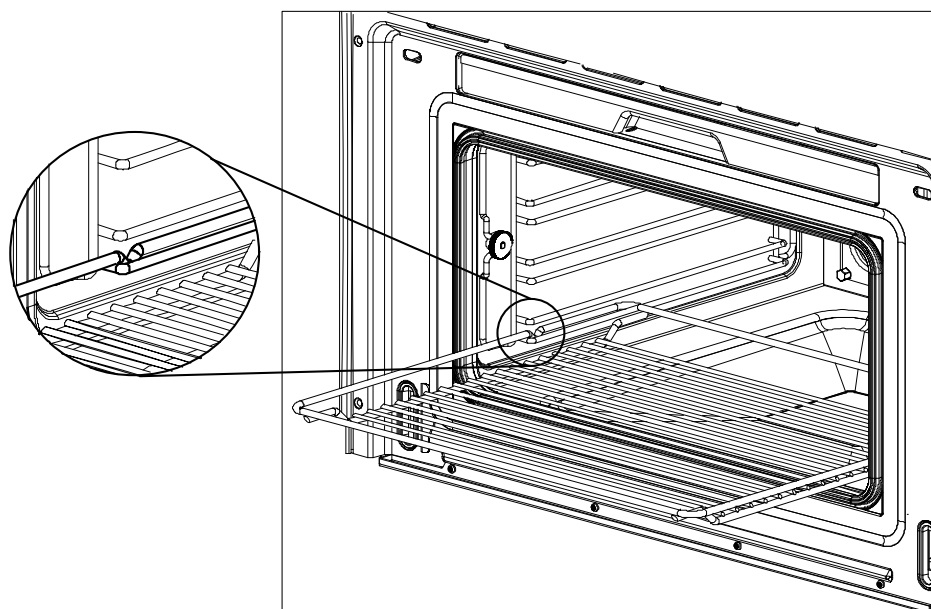
Les informations précises sont contenues dans les tableaux.

Les valeurs de durée de cuisson et de température sont fournies à titre indicatif. En fonction du type d'aliment et de sa constitution, la durée de cuisson

**Réelle peut varier..**



Pour retirer le support, soulevez légèrement la partie frontale des encoches sur les parois latérales du four (voir l'illustration).



**Il est recommandé d'utiliser le support avec la tôle de cuisson pour faire cuire des aliments qui peuvent goutter.**

## Tableaux et conseils

### Cuisson à la vapeur - Poisson

Poisson	Quantité	Température en °F	Temps de cuisson en min.	Récepteur	Niveau des supports en partant du bas
Dorade	28.22 - 43.33 oz	175	30-40	bac perforé	2
Truite	4 x 8.82 oz	175	20-25	bac perforé	2
Filet de saumon	17.64 – 35.27oz	175	15-25	bac perforé	2
Truite saumonée	35.27 – 42.33 oz	175	25-35	bac perforé	1/2
Crevettes	17.64 – 35.27oz	175	15-20	bac perforé	2
Moules vertes	35.27 – 52.9 oz	210	25-35	bac perforé	2
Filet de flétan	17.64 – 35.27oz	175	20-25	bac perforé	2
Bucardes	17.64 – 35.27oz	210	10-20	bac perforé	2
Homard, TK	28.22 - 42.33 oz	210	25-30	bac perforé	1/2
Filet de cabillaud	35.27 – 42.33 oz	175	20-25	bac perforé	2
Moules	35.27 – 42.33 oz	210	15-25	bac perforé	2
Omble	4 x 8.82 oz	175	25-30	bac perforé	2
Haddock	35.27 – 42.33 oz	175	20-25	bac perforé	2
Filet de thon	17.64 – 35.27oz	175	15-20	bac perforé	2
Sandre	4 x 8.82 oz	175	25-30	bac perforé	2

### Viande

Viande	Quantité	Température en °F	Temps de cuisson en min.	Accessoire/Récepteur	Niveau des supports en partant du bas
Boulettes de poulet	4-10	210	40-45	bac perforé	2
Poitrine de poulet	4-6	210	25-35	bac perforé	2
Côte de porc façon Kassel	17.64 – 35.27oz	210	40-50	bac perforé	2
Escalope de dinde	4-8	210	20-25	bac perforé	2
Filet de porc entier	4-8	210	20-30	bac perforé	2
Saucisses		175-210	10-15	bac perforé	2

### Garniture

Garniture	Quantité	Température en °F	Temps de cuisson en min.	Récepteur	Niveau des supports en partant du bas
Céréales + liquide	7.05oz + 13.53 fl oz	210	30-35	grille, coupe en verre	2
Semoule + liquide	7.05oz + 10.14 fl oz	210	10-20	grille, coupe en verre	2
Lentilles + liquide	7.05oz + 12.68 fl oz	210	20-50	grille, coupe en verre	2
Riz + liquide	7.05oz + 8.45 fl oz	210	25-40	grille, coupe en verre	2



## Tableaux et conseils

### Oeufs

Oeufs	Température en °F	Temps de cuisson en min.	Récipient	Niveau des supports en partant du bas
Oeuf au plat	210	10-15	grille	2
Oeuf dur	210	15	grille	2
Oeuf à la coque	210	10-12	grille	2

### Légumes

Légumes/ frais		Température en °F	Temps de cuisson en min.	Récipient	Niveau des supports en partant du bas
Aubergines	En tranches	210	15-20	bac perforé	2
Haricots		210	35-45	bac perforé	2
Brocoli	Fleurs avec la tige	210	25-30	bac perforé	2
Brocoli	Fleurs sans la tige	210	15-20	bac perforé	2
Choux-fleur	Bouquets	210	25-30	bac perforé	2
Choux-fleur	La tête entière	210	40-45	bac perforé	1
Pois		210	30-35	bac perforé	2
Fenouil	En lamelles	210	15-20	bac perforé	2
Fenouil	Coupé en deux	210	20-30	bac perforé	2
Pommes de terre avec peau	Entières, très petites	210	20-25	bac perforé	2
Pommes de terre avec peau	Entières, très grosses	210	45-50	bac perforé	2
Pommes de terre sans peau	En cubes	210	20-25	bac perforé	2
Chou-rave	En lamelles	210	20-25	bac perforé	2
Haricots mange-tout		210	15-20	bac perforé	2
Carottes	En rondelles	210	25-30	bac perforé	2
Épis de maïs		210	50-60	bac perforé	2
Poivrons	En lamelles	210	12-15	bac perforé	2
Piments		210	12-15	bac perforé	2
Champignons	En quartiers	210	12-15	bac perforé	2
Poireaux	En rondelles	210	10-12	bac perforé	2
Choux de Bruxelles		210	25-35	bac perforé	2
Céleri	En lamelles	210	15-20	bac perforé	2
Asperges		210	20-35	bac perforé	2
Épinards		210	12-15	bac perforé	2
Céleri en branches		210	25-30	bac perforé	2
Courgettes	En rondelles	210	12-18	bac perforé	2

## Tableaux et conseils

### Quenelles

Quenelles	Température en °F	Temps de cuisson en min.	Récipient	Niveau des supports en partant du bas
Boulette douce	210	20-30	bac non perforé	2
Boulette douce de levure	210	15-20	bac non perforé	2
Boulette de levure	210	15-25	bac non perforé	2
Quenelles de pain	210	20-25	bac non perforé	2
Quenelles serviette	210	25-30	bac non perforé	2

### Desserts

Desserts	Quantité	Température en °F	Temps de cuisson en min.	Récipient	Niveau des supports en partant du bas
Compote de pommes	17.64 - 52.9 oz	210	15-25	bac non perforé	2
Compote de poires	17.64 - 52.9 oz	210	25-30	bac non perforé	2
Crème brûlée	--	175	20-25	grille-coupes	2
Crème caramel	--	175	25-30	grille-coupes	2
Yaourt	--	105	4-6 h.	grille-coupes	2
Compote de pêches	17.64 - 52.9 oz	210	15-20	bac non perforé	2

### Fruits (Stériliser/ réduire)

Fruits	Quantité	Température en °F	Temps de cuisson en min.	Récipient	Niveau des supports en partant du bas
Poires	4-6 verres de 4 fl.oz.	210	30-35	grille	1
Cerises	4-6 verres de 4 fl.oz.	210	30-35	grille	1
Pêches	4-6 verres de 4 fl.oz.	175	30-35	grille	1
Prunes	4-6 verres de 4 fl.oz.	175	30-35	grille	1

### Régénérer

Réchauffer	Quantité	Température en °F	Temps de cuisson en min	Récipient	Niveau des supports en partant du bas
Assiette	1-2	210	12-15	grille	2
Assiette	3-4	210	15-20	grille	2
Plat préparé		210	15-20	grille	2

### Blanchir

Légumes	Quantité	Température en °F	Temps de cuisson en min	Récipient	Niveau des supports en partant du bas
Par ex. haricots, poireaux		210	10-12	bac perforé	2
Chou vert	35.27 – 42.33 oz	210	12-16	bac perforé	2
Chou frisé	10-20	210	12-15	bac perforé	2
Chou blanc, entier	70.55 -88.18 oz	210	30-45	bac perforé	1
Tomates, vidées		175	12	grille	2

## Tableaux et conseils

### Décongeler

Légumes/ garnitures		Température en °F	Temps de cuisson en min	Récipient	Niveau des supports en partant du bas
Brocoli	Fleurs avec tige	210	15-20	bac perforé	2
Macédoine de légumes		210	15-20	bac perforé	2
Feuilles d'épinards	Portions	210	10-15	bac non perforé	2
Chou-fleur	Bouquets	210	15-20	bac perforé	2
Haricots		210	15-25	bac perforé	2
Chou vert	Gros morceau	210	25-35	bac non perforé	2
Carottes	En rondelles	210	15-20	bac perforé	2
Choux de Bruxelles		210	20-25	bac perforé	2
Asperges		210	25-30	bac perforé	2
Plats préparés		210	selon le besoin	grille	2
Pain		210	10-25	grille	2
Riz		210	15-25	bac non perforé	2
Lentilles		210	15-20	bac non perforé	2
Nouilles		210	15-20	bac non perforé	2

### Cuisson sur 2 niveaux

Quelques consignes:

Pour une cuisson sur deux niveaux, les récipients doit toujours être placée aux niveaux 2 ou 3 e au niveau 1 en partant du bas.

Temps de cuisson différents sont contrôlés comme suit:

Les aliments qui nécessitent un temps de cuisson plus long doivent être placés dans la partie supérieure du four. Les aliments nécessitant un temps de cuisson plus court sont donc placés au premier niveau. **Un exemple:** Légumes, pommes de terre et poisson.

Mettez les légumes et les pommes de terre dans des récipients sur la grille au niveau 2 ou 3 en partant du bas.

Mettez le poisson au premier niveau en partant d'en bas.

Si vous utilisez le bac perforé pour cuire du poisson, placez le bac non perforé en bas de l'appareil pour recueillir les gouttes de jus de poisson. L'appareil reste propre.

Temps de cuisson: Légumes et pommes de terre 25-35 min.

Temps de cuisson: poisson (selon l'espèce) 15-25 min.

Réglez une durée de cuisson maximale, les différents niveaux permettent de cuire les mets pour que tout soit prêt en même temps et que rien ne soit trop cuit.

## Cuisiner au grill

Pour obtenir de bons résultats avec le grill, utilisez la grille fournie avec le four.

### INDICATIONS IMPORTANTES :

1. Lors de la première utilisation du grill, un peu de fumée odorante peut se dégager. Elle résulte de l'emploi d'huiles pendant le processus de fabrication.
2. La vitre de la porte atteint des températures très élevées quand le grill est utilisé. **Ne laissez pas les enfants s'approcher.**
3. Nous vous conseillons de porter des gants de cuisine car la grille et les parois de la cavité atteignent des températures très élevées.

4. Le thermostat de sécurité fait que les résistances s'éteignent temporairement lors d'une utilisation prolongée du grill.
5. Important ! Vous devez vérifier que les récipients que vous utilisez quand vous cuisinez ou faites griller des aliments sont bien adaptés au micro-ondes. Voir le chapitre sur le type de vaisselle !
6. Quand vous utilisez le grill, des éclaboussures de graisse peuvent atteindre la résistance et être brûlées. C'est une situation normale qui ne représente aucun problème de fonctionnement.
7. Nettoyez l'intérieur et les accessoires après chaque cuisson, pour que les saletés ne s'incrustent pas.

Aliment	Quantité (oz)	Temps en min.	Indications
<b>Poisson</b>			
Dorade	28.22 oz	18-24	Beurrez légèrement. Quand la moitié du temps est écoulée, retournez et ajoutez les condiments.
Sardine/ rascasse rouge	6-8 unités	15-20	
<b>Viande</b>			
Saucisse	6-8 unités	22-26	Percez et retournez quand la moitié du temps est écoulée.
Hamburger congelé	3 unités	18-20	Retourner 2 ou 3 fois.
Entrecôte (environ 3 cm d'épaisseur)	14.11 oz	25-30	Saucez et retournez quand la moitié du temps est écoulée.
<b>Autres</b>			
Toasts	4 unités	1½-3	Surveillez les toasts.
Gratiner des sandwichs	2 unités	5-10	Surveillez le gratin

Préchauffez le grill pendant 2 minutes. Sauf indication contraire, utilisez la grille. Placez la grille sur un récipient dans lequel l'eau et la graisse puissent couler.

Les temps sont mentionnés à titre d'indication car ils peuvent varier en fonction de la composition des aliments, de leur quantité et de la cuisson demandée. Le poisson et la viande gagnent un goût délicieux si, avant de les griller, vous les badigeonnez d'huile végétale, épices et herbes

aromatiques, et si vous les laissez mariner quelques heures. Ne salez qu'après la grillade.

Les saucisses n'éclatent pas si vous les percez préalablement avec une fourchette.

Au milieu du temps de fonctionnement, contrôlez la cuisson, remuez ou retournez si nécessaire.

Le grill est spécialement adapté pour la cuisson de la viande en morceaux et du poisson en filets. Les morceaux fins de viande peuvent être retournés une seule fois, les plus gros plusieurs fois.

## Cuisiner au L'Air Chaud

### Préparation de viande

Aliment	Quantité (oz)	Température °F	Temps en min.	Temps de repos	Indications
Rôti de veau	35.27	320/ 340	80/90	10	Récipient sans couvercle
Filet de porc Côtelette ou os Rôti de porc	17.64 / 21.16	355/ 375	35/40	10	Récipient sans couvercle
Poulet entier	35.27 / 42.33	390	30/40	10	Récipient avec couvercle. Bréchet vers le haut. Ne tournez pas.
Poulet en morceaux	28.22	390	25/35	10	Récipient sans couvercle. Placer les morceaux la peau en haut. Ne tournez pas.
Canard	52.9 / 59.97	390	70/80	10	Récipient avec couvercle. Ne tournez pas.

### Conseils pour la cuisson

Retournez les pièces de viande à la moitié du temps de cuisson. Quand le rôti est cuit, laissez-le reposer 20 minutes dans le four éteint et fermé. Le jus de la viande sera ainsi mieux réparti.

La température et le temps de cuisson dépendent du type et de la quantité d'aliment.

S'il n'y a pas d'indication du poids exact du rôti dans le tableau, choisissez le poids immédiatement inférieur et prolongez le temps.

### Conseils pour la vaisselle

Vérifiez que la vaisselle entre bien à l'intérieur du four.

Les récipients en verre, quand ils sont chauds, doivent être posés sur un chiffon de cuisine sec. Au contact d'une surface froide ou mouillée, le verre pourrait se fendiller et éclater. Utilisez un gant de cuisine pour retirer les plats du four

## Préparation des gâteaux

Aliment	Réceptacle	Niveau	Température°F	Temp en min.
Gâteau aux noix	Moule creux	1	340/355	30/35
Tarte aux fruits	Moule de Ø 28 cm	2	300/320	35/45
Gâteau anglais	Moule creux	1	340/375	30/45
Tarte salée	Moule rond en verre	2	320/355	50/70
Gâteau simple	Moule de Ø 26 cm	1	320/340	40/45
Bûche	Moule à gâteau en verre	2	230	35/45
Gâteau aux cerises	Moule à gâteau en verre	2	340/355	35/45

**Conseils pour les moules à gâteaux**

Les moules les plus fréquents sont les moules noirs en métal.

**Conseils pour cuisiner les gâteaux**

La température de cuisson des gâteaux dépend de la qualité et de la quantité de pâte. Essayez une première fois avec une température plutôt en dessous, ce qui permet d'obtenir un doré plus uniforme. La fois suivante, si nécessaire, choisissez une température plus forte.

**Suggestions pour une bonne cuisson****Comment vérifier que le gâteau est cuit :**

Enfoncez un couteau fin sur le dessus du gâteau. Si la pâte ne colle pas au couteau, le gâteau est cuit.

**Le gâteau est très foncé :**

La prochaine fois, sélectionnez une température plus basse et laissez cuire le gâteau plus longtemps.

**Le gâteau est très sec :**

Faites de petits orifices, avec une petite fourchette, dans le gâteau déjà cuit, puis arrosez avec du jus de fruit ou une boisson alcoolique. La prochaine fois, montez la température de près de 50°F et réduisez le temps de cuisson.

**Le gâteau ne veut pas sortir du moule :**

Laissez refroidir le gâteau 5 à 10 minutes. Si la situation perdure, passez la lame d'un couteau tout autour du gâteau pour le dégager. La prochaine fois, beurrez mieux le moule.

**Conseils pour économiser l'énergie**

Quand vous faites plus de 1 gâteau, il est préférable de les mettre au four les uns après les autres. Encore chaud, le four cuira le deuxième gâteau plus rapidement. Utilisez de préférence des moules foncés, peints ou émaillés en noir, car ils absorbent mieux la chaleur.

Dans le cas de cuissons qui demandent plus de temps, vous pouvez éteindre le four 10 minutes avant la fin pour profiter de la chaleur résiduelle

## Entretien

### Nettoyage de l'enceinte de cuisson

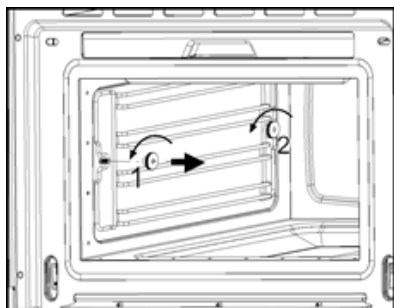
N'utilisez jamais de produit nettoyant agressif comme des éponges à récurer, des éponges métalliques, etc. Cela peut endommager la surface de l'enceinte de cuisson.

Nettoyez l'enceinte de cuisson à chaud avec un torchon humide. Pour terminer, essuyez avec un chiffon.

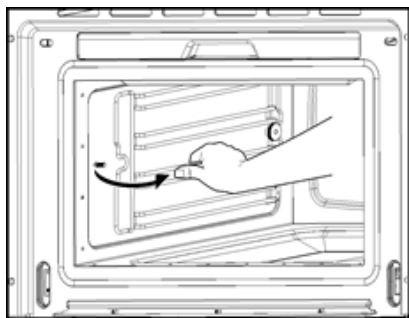
Pour faciliter le nettoyage, les supports latéraux peuvent être enlevés (voir chapitre suivant).

### Décrocher les supports latéraux

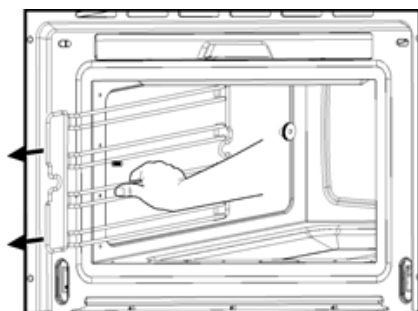
Dévissez l'écrou 1 à l'avant du support dans le sens inverse des aiguilles d'une montre.



Dévissez légèrement l'écrou 2 de la surface de fixation du support dans le sens inverse des aiguilles d'une montre. Ne pas ôter l'écrou.



Tirez légèrement le support vers l'avant et sortez-le du four.

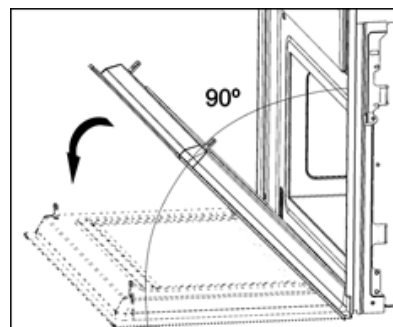


Pour remettre en place les supports, glissez-les dans l'écrou 2.

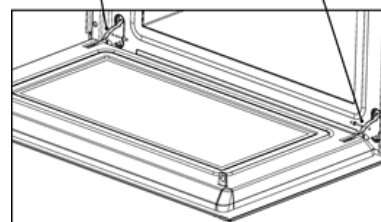
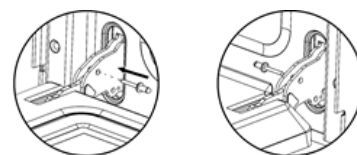
Vissez l'écrou 1 dans le sens des aiguilles d'une montre jusqu'à la butée, revissez fermement l'écrou 2.

### Enlever la porte de l'appareil

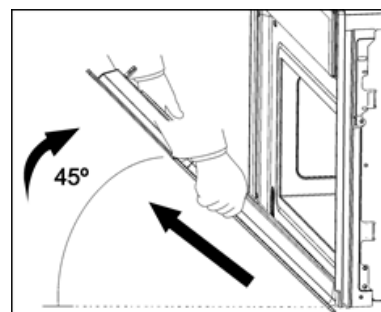
1. Ouvrez la porte au maximum.



2. Placez deux chevilles dans les gongs de la porte.



3. Fermez la porte juste ce qu'il faut pour pouvoir la soulever.



4. Pour remettre la porte en place, insérez les charnières dans les trous.

## Détartrage

À chaque production de vapeur, du calcaire se dépose dans le générateur de vapeur, quelle que soit la dureté de l'eau (c.-à-d. de la teneur en calcaire de l'eau)

La fréquence du détartrage dépend de la dureté de l'eau et de la fréquence d'utilisation. Si le four est utilisé à raison de 4x30 minutes par semaine, le détartrage doit s'effectuer comme suit en fonction de la dureté de l'eau:

Dureté de l'eau	Détartrage après
Très douce	18 mois
Moyenne	9 mois
Très dure	6 mois

L'appareil détecte automatiquement lorsqu'un détartrage est nécessaire. Le voyant de détartrage s'allume. Si le détartrage n'est pas effectué, le voyant se met à clignoter. Si après plusieurs cuissons, l'appareil n'est toujours pas détartré, le fonctionnement sera bloqué. Le message « CAL » s'affiche et les voyants clignotent.

**REMARQUE IMPORTANTE:** si l'appareil n'est pas détartré, l'appareil fonctionnera moins bien ou sera endommagé.

## Produits détartrants appropriés

Pour le détartrage, utilisez le produit détartrant «**durgol®**».

Ce produit vous permet de détartrer votre appareil de façon professionnelle et adéquate. Disponibles via le service après vente.

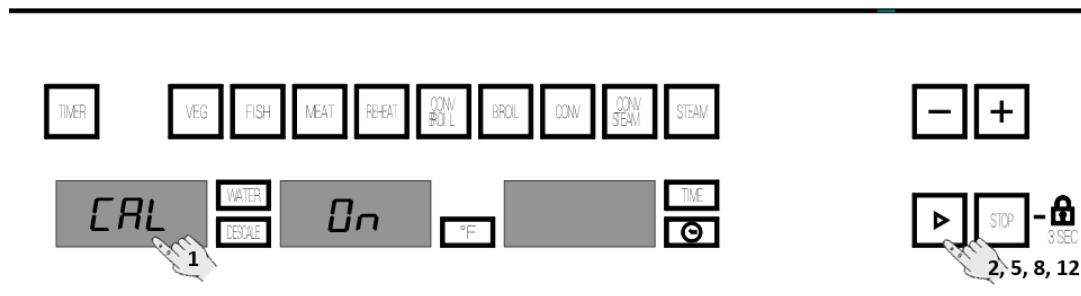
**Attention! N'utilisez pas de vinaigre ou de produit nettoyant à base de vinaigre car cela pourrait endommager le circuit d'eau interne.**

Les produits détartrants classiques ne sont pas appropriés. Ils peuvent contenir des additifs favorisant le développement de mousse



# Entretien

## Procédure de détartrage



**Attention : Pour des raisons de sécurité, il n'est pas possible d'interrompre le processus de détartrage.**

L'appareil peut être détartré que la porte de l'appareil soit ouverte ou fermée. L'appareil doit être éteint pour que le cycle de détartrage commence.

Pour lancer le cycle de détartrage, procédez comme suit :

1. Appuyez sur la touche **Descalage (Détartrage)** pendant 5 secondes. L'affichage indique « **CAL** » et un bip intermittent se fait entendre.
2. Appuyez sur la touche **Start (Démarrer)**.
3. Lorsque l'affiche indique « **0,5L** », retirez le réservoir d'eau.
4. Versez 0,5 litre d'un produit détartrant approprié dans le réservoir d'eau et remettez le réservoir d'eau.
5. Appuyez sur la touche **Start (Démarrer)**. Le cycle de détartrage commence et prend environ 30 minutes.
6. Lorsque « **1.0L** » clignote sur l'affichage détartrage et que le four émet un bip, retirez et videz le réservoir d'eau.
7. Remplissez le réservoir d'eau avec 1,0 litre d'eau froide et remettez le réservoir d'eau.
8. Appuyez sur la touche **Start (Démarrer)**. Le premier cycle de rinçage commence.
9. Lorsque « **1.0L** » clignote à nouveau sur l'affichage détartrage et que le four émet un autre bip, retirez et videz le réservoir d'eau.
10. Remplissez le réservoir d'eau avec 1,0 litre d'eau froide et remettez le réservoir d'eau.
12. Appuyez sur la touche **Start (Démarrer)**. Le deuxième cycle de rinçage commence.
13. Quand le cycle de rinçage est terminé, l'affichage indique « **End** ».
14. Retirez, videz et séchez le réservoir d'eau.

## Nettoyage et maintenance de l'appareil

**Attention!** Le nettoyage doit être effectué lorsque l'appareil est hors tension. Retirez la fiche de la prise ou bien débranchez le circuit électrique de l'appareil.

**N'utilisez pas de produit nettoyant ou de produit à récurer agressif, de serpillère abrasive ni d'objets tranchants car leur action peut laisser des traces sur l'appareil.**

**N'utilisez jamais de nettoyeur à haute pression ou à jet de vapeur.**

### Façade

Un chiffon humide suffit à nettoyer l'appareil. Si l'appareil est très encrassé, utilisez de l'eau additionnée de quelques gouttes de produit de vaisselle. Essuyez ensuite l'appareil avec un torchon sec.

Pour les **appareils avec une façade en aluminium**, utilisez un nettoyant pour vitres doux et un torchon doux et non pelucheux. Essuyez la façade horizontalement, sans exercer de pression sur la surface.

Éliminer immédiatement les tâches de calcaire, de graisse, d'amidon et de blanc d'œuf. Ces tâches peuvent provoquer une corrosion.

Ne laissez pas l'eau pénétrer dans l'enceinte de cuisson.

### Aire de cuisson

Nettoyez les surfaces intérieures après chaque utilisation à l'aide d'un torchon humide. Laissez la porte ouverte afin que l'enceinte de cuisson refroidisse et sèche.

**N'utilisez pas de produit nettoyant agressif pour éliminer les tâches tenaces. N'utilisez ni de nettoyant pour four ni d'autre produit récurant agressif.**

**Maintenez la porte et les parois de l'appareil propres en permanence afin de garantir son parfait fonctionnement.**

Ne laissez pas rentrer d'eau dans les aérations.

Le cache en verre de la lampe se trouve sur le haut de l'appareil et peut facilement être enlevé pour le nettoyage. Dévissez-le et nettoyez-le avec de l'eau additionnée de produit de vaisselle.

### Accessoires

Nettoyez chaque accessoire après utilisation. Si l'accessoire est très sale, laissez-le tremper d'abord et utilisez ensuite une brosse et une éponge. Les accessoires peuvent être lavés au lave-vaisselle.

## Que faire en cas de dysfonctionnement?

**ATTENTION!** Toute réparation ne doit être effectuée que par un technicien. Toute intervention effectuée par une personne autre que la personne autorisée par le fabricant est dangereuse.

Les problèmes suivants peuvent être résolus sans recourir au service après-vente:

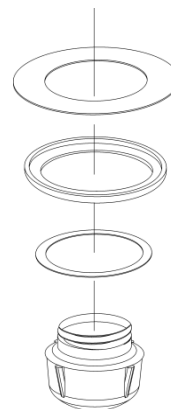
- **Il n'y a plus d'affichage !** Vérifiez si:
  - l'affichage de l'heure a été désactivé (voir section sur les réglages de base).
- **Rien ne se passe lorsque vous appuyez sur les touches!** Vérifiez si:
  - le verrouillage de sécurité est actif (voir section sur les réglages de base).
- **L'appareil ne fonctionne pas!** Vérifiez si:
  - la fiche est bien enfoncée dans la prise,
  - le circuit électrique de l'appareil est branché.
- **Des bruits se produisent pendant la marche de l'appareil!**
  - Il s'agit de bruits liés au fonctionnement qui peuvent se produire pendant la durée de production de vapeur, par exemple lors du pompage de l'eau par le générateur de vapeur.
  - Ces bruits sont normaux, il n'y a aucun problème.
- **Les aliments ne chauffent pas ou très lentement!** Vérifiez si:
  - vous avez choisi la bonne température et la bonne durée de cuisson,
  - vous avez introduit une quantité d'aliment supérieure ou inférieure à d'habitude à l'intérieur de l'appareil.
- **Si le message « Err\_ » s'affiche, veuillez contacter le service client.**

- **Après la fin d'un processus de cuisson, un bruit retentit!** Ce n'est pas un problème.
  - Le ventilateur de refroidissement fonctionne encore un moment. Il s'éteint lorsque la température est suffisamment redescendue.
- **L'appareil fonctionne mais l'éclairage intérieur n'est pas allumé!**
  - Si toutes les fonctions marchent correctement, alors l'ampoule est probablement grillée. Vous pouvez continuer à utiliser l'appareil.

### Changement de l'ampoule

Procédez comme suit pour changer l'ampoule:

- Débranchez l'alimentation de l'appareil. Retirez la fiche de la prise ou coupez l'alimentation de l'appareil.
- Dévissez le cache en verre de la lampe **(1)**.
- Retirez l'ampoule halogène **(2)**. **Attention! L'ampoule peut être très chaude.**
- Mettez une nouvelle ampoule G9 230V / 25W. Suivez les instructions du fabricant de l'ampoule.
- Revissez le cache en verre de la lampe **(1)**.
- Rebranchez l'appareil au circuit électrique



# Caractéristiques techniques

## Affichages

Affichages			Description
Affichage 1	Affichage 2	Affichage 3	
<b>Détartrage</b>			
1		(clock / heure)	Eau douce.
2	---		Eau moyenne.
3	---		Eau dure.
CAL	---		L'appareil doit être détartré. Clignotant - commencement du détartrage.
0.6L	---	(clock / heure)	Versez 0,6 litre de solution détartrante dans le réservoir d'eau.
1.0L	---	(clock / heure)	Versez 1 litre d'eau froide dans le réservoir d'eau pour le rinçage.
<b>Niveau d'eau</b>			
-L0-	---	(réglage de l'heure ou du temps)	Eau insuffisante dans le réservoir.
-L1- to -L4-	---	(réglage de l'heure ou du temps)	Indication du niveau d'eau : -L4- indique que le réservoir est plein et -L1- indique que le réservoir est presque vide.
<b>Réservoir d'eau</b>			
rES	---/(température ou groupe de nourriture)	(réglage de l'heure ou du temps)	Indication qu'il manque le réservoir d'eau.
dEP	---	(clock / heure)	Le réservoir d'eau doit être retiré, vidé et réintroduit.
<b>Fonctions spéciales</b>			
(Niveau d'eau)	A1 à A5	(réglage de l'heure)	Fonctions spéciales avec des temps et températures prédéfinis.
	b1 à b5		
	c1 à c5		
	d1 à d5		
<b>Chauffage</b>			
(Niveau d'eau)	r1 à r5	(réglage de l'heure)	Fonctions spéciales avec des temps et températures prédéfinis.
<b>Réduction de vapeur</b>			
VAP	---	(Clock / Heure)	Indication que le processus de réduction de vapeur est en cours de fonctionnement.
PUMP	---	(clock - relógio)	Indication que l'eau froide pénètre dans la chaudière et que l'eau chaude est renvoyée vers le réservoir d'eau.
FULL	---	(clock - relógio)	Le réservoir d'eau doit être retiré, vidé et réintroduit.
<b>Alertes système</b>			
---	LAMP	(Clock / Heure)	Lampe abîmée.
---	HOT	(Clock / Heure)	La température dans le bloc de cuisson perforé est trop élevée.
	Err_	(Clock / Heure)	Contactez le service client.

## Propriétés techniques

### Spécifications

- Tension..... (voir fiche d'identification)
- Puissance exigé ..... 2900 W
- Courant requis ..... 13 A
- Puissance du Vapeur ..... 1500 W
- Puissance du Gril ..... 1200 W
- Puissance de l'air chaud..... 1600 W
- Dimensions extérieures (lxhxL) .....  $29 \frac{3}{4} \times 18 \frac{5}{8} \times 21 \frac{1}{2}$
- Dimensions de l'enceinte de cuisson (lxhxL).....  $16 \frac{1}{2} \times 8 \frac{1}{4} \times 15 \frac{1}{2}$
- Contenance du four ..... 1,34 ft<sup>3</sup>
- Poids ..... 78 lbs

## Instructions pour l'installation

### Avant l'installation

**Vérifiez que la tension de l'alimentation** de l'appareil, indiquée sur la plaque des caractéristiques correspond à celle de votre installation. Le plaque des caractéristiques est situé sur la partie avant de la cavité et est visible seulement après l'ouverture de la porte.

S'il y a lieu, conformément au Code national de l'électricité (ou au Code canadien de l'électricité), cet appareil doit être installé sur **un circuit de dérivation séparé**.

**Installateur** – Indiquer au propriétaire l'emplacement du disjoncteur ou du fusible. Identifier sa position pour pouvoir le retrouver facilement.

Avant l'installation, mettre l'appareil hors service au panneau de service. Verrouiller le panneau d'entrée d'électricité pour éviter que le courant ne soit accidentellement rétabli.

**S'assurer que l'appareil est installé et mis à la terre par un technicien qualifié.** L'installation, les connexions électriques et la mise à la terre doivent être conformes à tous les codes applicables.

Ouvrez la porte du four et **retirez tous les accessoires** ainsi que l'emballage.

**Attention!** Le devant du four peut être enveloppé d'une **pellicule de protection**. Retirez-la soigneusement, avant la première utilisation, en commençant par le bas.

**Vérifiez que le four n'est pas endommagé.** Assurez-vous que la porte du four ferme correctement et que le côté intérieur de la porte et le devant de la cavité ne sont pas abîmés. S'ils le sont, appelez le Service d'assistance technique.

**N'UTILISEZ PAS LE FOUR** si le conduit flexible est endommagé, si le four ne fonctionne pas correctement ou s'il est endommagé ou bien tombé. Appelez le Service d'assistance technique.

Installez le four sur une surface stable, le plus loin possible des radios, télévisions et de tout ce qui produit de la chaleur.

### Alimentation Electrique

Avant d'installer le four avec un électricien qualifié, vérifiez que votre maison est pourvue du système électrique approprié et qu'en plus le four ne surchargera pas le circuit de branchement sur lequel il doit être installé.

Sont nécessaires un triphasé séparé, ou un four à simple phase à 4 fils, 240 Volt, 60 Hz.

Pour brancher le four, vous aurez besoin d'une boîte de raccordement approuvée qui est facilement à portée de main à travers le devant du meuble où le four sera placé. Le four a 90 cm de conduit.

Laissez 60 des 90 d'espace entre la ligne électrique pour que le four puisse être déplacé si un dépannage était nécessaire.

**NE RACCOURCISSEZ PAS** le conduit flexible.

### Cablage Necessaire

Lorsque vous raccordez les fils, utilisez toute la longueur de conduit fourni (90 cm). Le conduit ne doit pas être coupé.

Avant de faire les raccordements, assurez-vous qu'il n'y a plus d'électricité et lisez et observez ce qui suit:

1. Sont nécessaires pour le four un circuit de raccord triphasé ou à quatre fils, simple phase, 240 Volt, 60 Hz.
2. Le four doit uniquement être raccordé avec des fils cuivre ou aluminium.

## Instructions pour l'installation

### 3. Aux Etats-Unis :

Les fils doivent être conformes au code électrique national, ANSI/NFPA No. 7 dernière édition. Vous pouvez obtenir une copie du code électrique national en écrivant à: National Fire Protection Association Batterymarch Park Quincy, MA 02269

### Au Canada:

Les fils doivent être conformes au code électrique canadien C22.1- dernière édition. Vous pouvez obtenir une copie du code électrique canadien en écrivant à: Canadian Standards Association 178 Rexdale Boulevard Rexdale (Toronto), Ontario, Canada M9W 1R3

1. La taille des fils (CUIVRE OU ALUMINIUM) et des connexions doit être appropriée aux caractéristiques des appareils électroménagers par le code électrique national. Le câble armé flexible s'étendant du four doit être connecté directement au boîtier de raccordement.
2. Le boîtier de raccordement doit être situé pour qu'il y ait un maximum d'espace entre lui et four pour qu'il puisse être déplacé en cas de panne.
3. Un connecteur conduit U.L. listed doit être placé à chaque extrémité du câble de raccordement d'alimentation.

## Connexions Electriques

**Assurez-vous que votre installation est correctement installée et branchée par un technicien qualifié. Demandez à votre revendeur un technicien qualifié ou un service de réparation agréé.**

Cet appareil est fabriqué avec un conducteur de terre vert connecté au châssis du four. Après vous être assuré qu'il n'y a plus de courant, branchez le conduit flexible depuis le four jusqu'au boîtier de raccordement en utilisant un connecteur de conduit U.L. listed. Les figures suivantes et les instructions fournies présentant la manière la plus commune de brancher un four. Vos codes locaux et règlements sont évidemment prioritaires sur ces instructions. Effectuez les connexions électriques conformément aux codes locaux et les règlements.

**“AVERTISSEMENT” Risque d'électrocution, cadre à la masse à une position neutre d'un appareil par une liaison.**

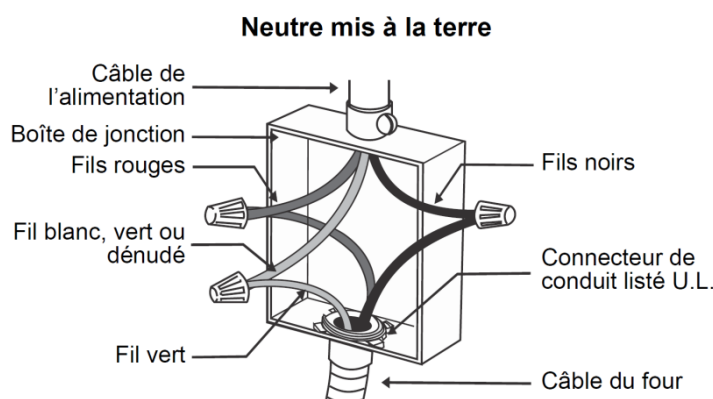
Mettre à la masse par un conducteur neutre est interdit pour les nouvelles installations de circuit électrique (1996 NEC); les mobile homes; et les véhicules de parc, ou dans les régions où les codes locaux interdisent de brancher à la masse à travers un conducteur neutre. Pour les installations où la mise à terre par un conducteur neutre est interdit:

- Déconnectez la masse du conducteur neutre aux extrémités libres du conduit ;
- Utilisez la borne de terre ou une broche de raccordement pour mettre à la terre l'unité; et
- Connectez la borne de neutre ou une broche de raccordement à un circuit de dérivation neutre de la manière habituelle.

## Connexion à 3 Fils (Pour US seulement)

Selon la Figure suivant, où les codes locaux permettent la connexion du conducteur de terre du four au fil NEUTRE du circuit de branchement (fil gris ou coloré blanc):

- Si les codes locaux le permettent, connectez le conducteur de terre vert du four et le fil blanc du four au fil NEUTRE du circuit de branchement (fil gris ou coloré blanc).
- Connectez les broches de raccordement du four aux broches de raccordement correspondantes dans le boîtier de raccordement.

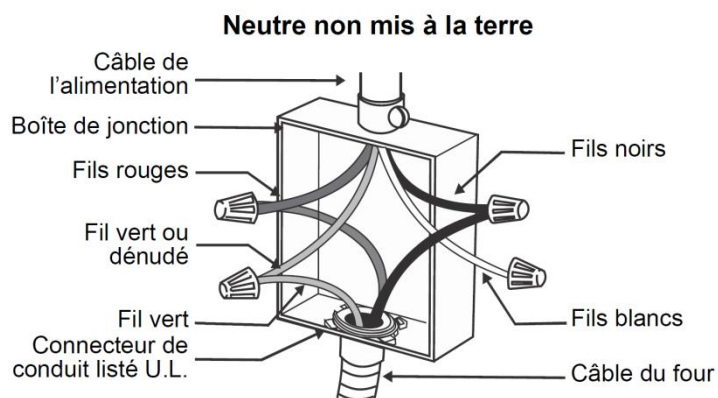


## Instructions pour l'installation

### Connexion à 4 Fils (Pour des US ou CANADA)

Selon la Figure suivant :

- Déconnectez la masse du point neutre aux extrémités du conduit.
- Connectez le conducteur de terre vert du four au conducteur de terre dans le boîtier de raccordement (fil nu ou coloré vert).
- Connectez les broches de raccordement rouge et noir du four aux broches de raccordement correspondantes dans le boîtier de raccordement.



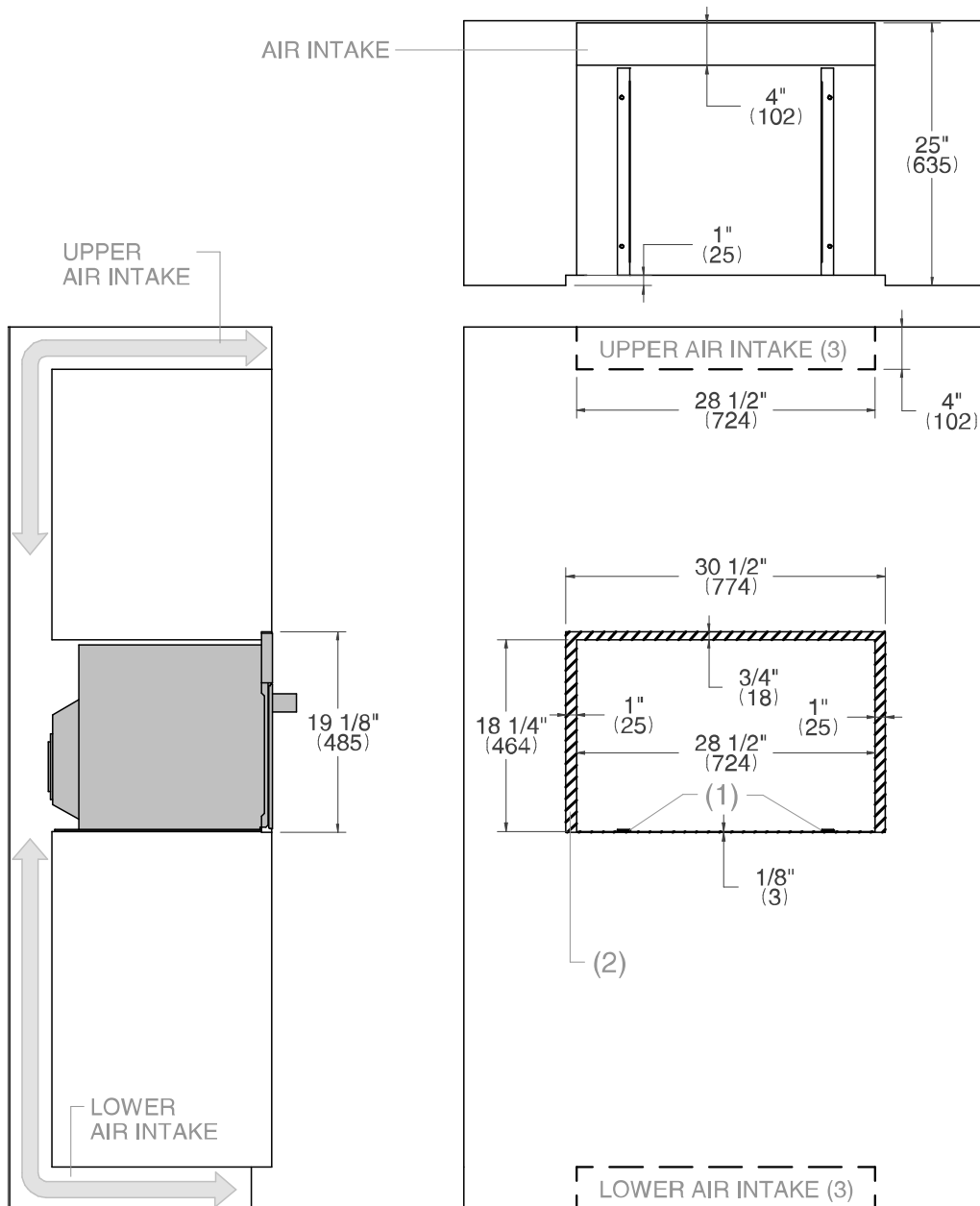
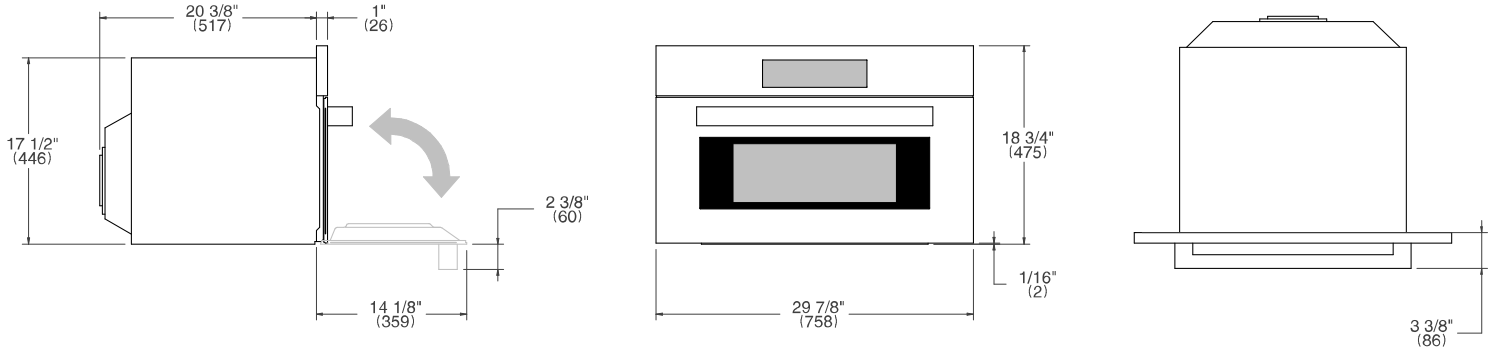
### Après l'installation

**Le four ne fonctionne que** si la porte est correctement fermée.

Avant la première utilisation, nettoyez l'intérieur du four ainsi que les accessoires en suivant les indications figurant au point «Nettoyage et entretien de votre four».

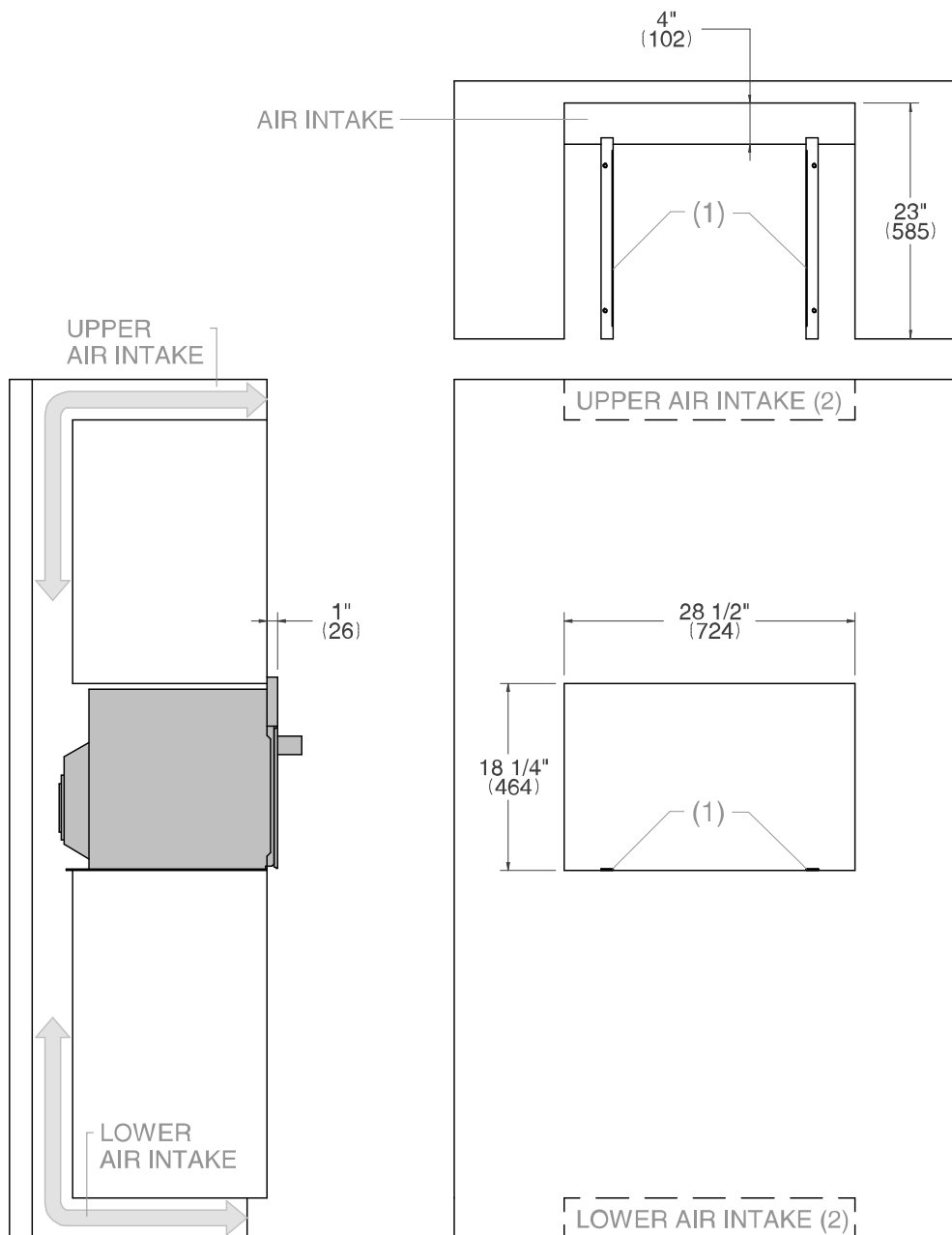


# Installation dimensions / Dimensions d'Installation

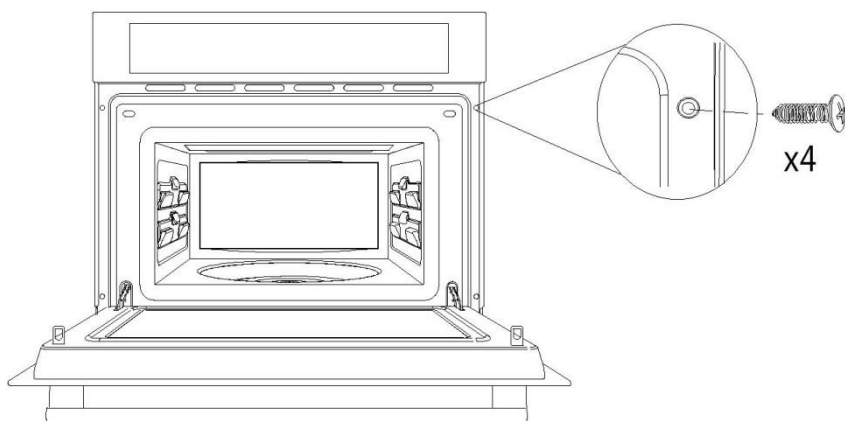


- (1) Spacers - Parts of standard equipment
- (2) Finished surfaces - Will be visible
- (3) Ensure there is an opening in the top or bottom of the cabinet as shown in the figure

# Installation dimensions/ Dimensions d'Installation



- (1) Spacers - Parts of standard equipment
- (2) Ensure there is an opening in the top or bottom of the cabinet as shown in the figure



## EN

- Push oven completely into the cabinet and centre it.
- Open microwave door and fasten the appliance to the cabinet using the four screws provided. Insert the screws through the front holes.

## FR

- Introduisez le four dans le meuble jusqu'à ce que l'avant du four butte sur le bois et alignez-le.
- Ouvrez la porte du four et fixez ce dernier aux parois latérales du meuble au moyen des 4 vis fournies, par les trous prévus à cet effet.



# BERTAZZONI Distributor List

Distributor	States
DISTINCTIVE APPLIANCES DISTRIBUTING INC. 51155 GRAND RIVER AVENUE WIXOM, MI 48393	Illinois, Indiana, Kentucky, Michigan, Minnesota, Ohio, West Virginia, Wisconsin
DOOLITTLE DISTRIBUTING INC. 13269 WEST 98TH STREET LENEXA, KANSAS 66215	Arkansas, Illinois, Iowa, Kansas, Missouri, Nebraska, Oklahoma
EASTERN MARKETING CORP. 24 EISENHOWER PARKWAY ROSELAND, NJ 07068	Connecticut, DC, Delaware, Maine, Maryland, Massachusetts, New Hampshire, New Jersey, New York, North Carolina, Pennsylvania, Rhode Island, South Carolina, Vermont, Virginia
ECHELON HOME PRODUCTS INC. 1051 ANDOVER PARK EAST TUKWILA, WA 98188	Alaska, Idaho, Montana, Oregon, Washington, Wyoming
PURCELL & MURRAY 185 PARK LANE BRISBANE, CA 94005	California, Nevada
PINNACLE EXPRESS INC. PO BOX 1836 33838 DUNDEE, FLORIDA	Alabama, Florida, Georgia, Tennessee
MILESTONE DISTRIBUTORS 4531 MCKINNEY AVENUE DALLAS, TEXAS 75205	Arizona, Louisiana, Mississippi, New Mexico, Texas

