

MAS244IFEMXB

MASTER SERIES INDUCTION RANGE 24"- 4 HEATING ZONES - ELECTRIC OVEN
STAINLESS STEEL FINISH



Exclusive Finish and Materials

Metal handles and silver color finish knobs make the range a standout in every kitchen.

Bertazzoni signature counter-deep maintop

Bertazzoni signature stainless counter-deep maintop is designed to install flush with most kitchen countertops for a perfectly integrated look. Precise and flexible heating is provided by 4 latest generation extra-large induction zones with bridging of right-side zones.

Bertazzoni Oven

Bertazzoni ovens are equipped with an extra-large high-power broiler for broiling and grilling. The 2.4 Cu.Ft oven cavity has a convection fan for balanced airflow and even temperature baking and roasting on 5 multiple levels.

GENERAL CHARACTERISTICS

Worktop	4 induction zones
Front right	2100W (3700W booster)
Front left	1400W (2200W booster)
Back left	1850W (3000W booster)
Back right	2100W (3700W booster)
Knobs	Plastic knob with silver color finish
Cooking modes	11
Tray	1 backing tray with grill trivet
Shelves	2 standard
Levels	Laterals grids
Inner door	Modular 3 glasses
Door hinges	Soft motion
Storage compartment	Fixed stainless steel
Legs	ø 2" 3/8 Plastic with Nickel color

TECHNICAL SPECIFICATIONS

Electrical requirements	120/208 V 60HZ - 9250W 40A with a dedicated circuit
Warranty	2 years parts & labor
Packaging dimensions	H:42" 1/2 W:27" 9/16 D:29" 1/2
Accessories	ADA Compliant Legs

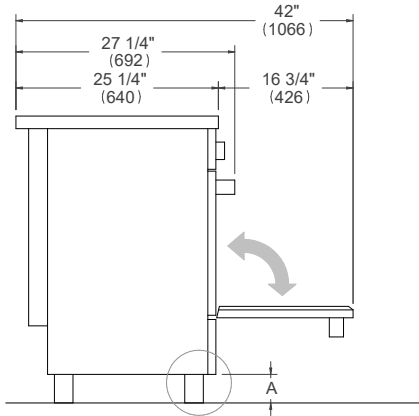
MAS244IFEMXB

MASTER SERIES INDUCTION RANGE 24"- 4 HEATING ZONES - ELECTRIC OVEN
STAINLESS STEEL FINISH

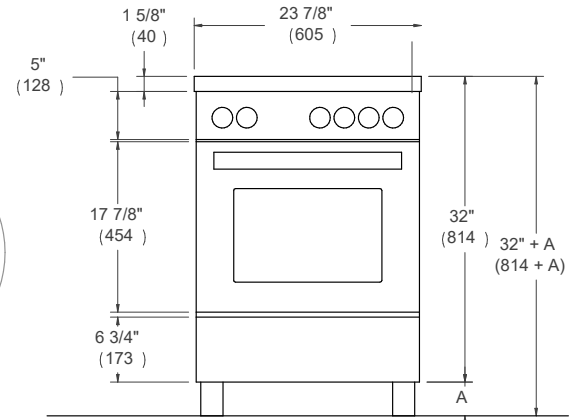


DIMENSIONS

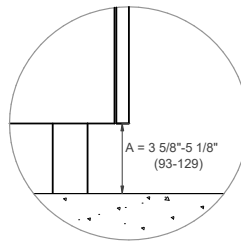
SIDE VIEW



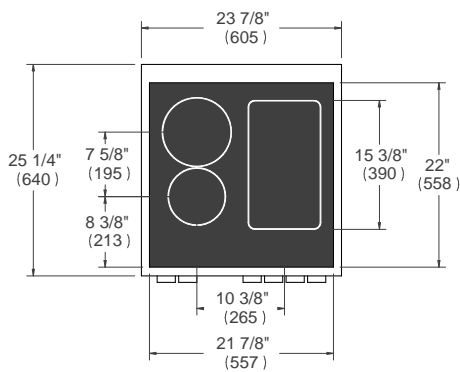
FRONT VIEW



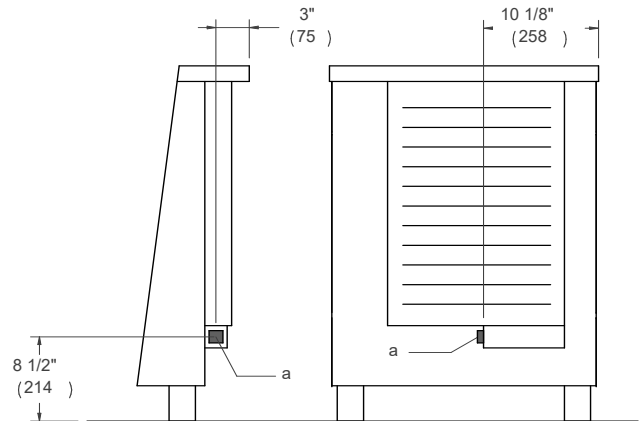
LEG DETAILS



WORKTOP DETAILS



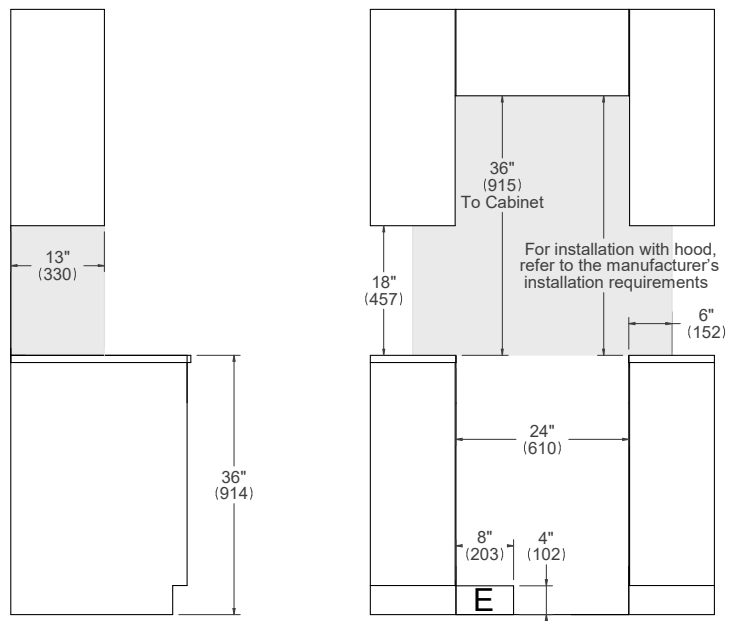
REAR VIEW



INSTALLATION

E

A properly-grounded horizontally mounted electrical receptacle should be installed no higher than 3" (7.6 cm) above the floor, no less than 2" (5 cm) and no more than 8" (20,3 cm) from the left side (facing product). Check all local code requirements.



NOTE

a. Electrical Connection

Disclaimer: while every effort has been made to insure the accuracy of the information contained in this document, Fratelli Bertazzoni reserves the right to change any part of the information at any time without notice. For detailed installation specifications consult the installation manual. Fratelli Bertazzoni, Bertazzoni and the winged wheel brand icon are registered trademarks of Bertazzoni Spa.