



Scan to see the online manual.



# OWNER'S MANUAL

# HOOD

---

Read this owner's manual thoroughly before operating the appliance and keep it handy for reference at all times.

## ENGLISH

LSHD3689BD LSHD3089BD LSHD3680\*\* LSHD3080\*\*



MFL70282902  
Rev.10\_032024

[www.lg.com](http://www.lg.com)

Copyright © 2017-2024 LG Electronics Inc. All Rights Reserved.

2

---

## TABLE OF CONTENTS

### 3 IMPORTANT SAFETY INSTRUCTIONS

---

- 3 READ ALL INSTRUCTIONS BEFORE USE
- 3 WARNING STATEMENTS
- 5 CAUTION STATEMENTS

### 6 PRODUCT OVERVIEW

---

- 6 Product Features

### 7 OPERATION

---

- 7 Control Panel

### 8 SMART FUNCTIONS

---

- 8 LG ThinQ Application

### 11 MAINTENANCE

---

- 11 Care and Cleaning

### 12 TROUBLESHOOTING

---

- 12 Before Calling for Service

### 14 LIMITED WARRANTY

---

- 14 USA
- 18 CANADA

# IMPORTANT SAFETY INSTRUCTIONS

## READ ALL INSTRUCTIONS BEFORE USE

### Safety Messages

**Your safety and the safety of others are very important.**

We have provided many important safety messages in this manual and on your appliance. Always read and follow all safety messages.



This is the safety alert symbol.

This symbol alerts you to potential hazards that can kill or injure you and others. All safety messages will follow the safety alert symbol and either the word **WARNING** or **CAUTION**.

These words mean:



#### **WARNING**

You may be killed or seriously injured if you do not follow instructions.



#### **CAUTION**

You may be injured or cause damage to the product if you do not follow instructions.

All safety messages will tell you what the potential hazard is, tell you how to reduce the chance of injury, and tell you what may happen if the instructions are not followed.

READ AND SAVE THESE INSTRUCTIONS

## WARNING STATEMENTS

### **WARNING**

- To reduce the risk of explosion, fire, death, electric shock, scalding or injury to persons when using this product, follow basic precautions, including the following:

### Installation

- If you receive a damaged product, immediately contact your dealer or builder. Do not install or use a damaged hood.
- Make sure that the range hood has been properly installed and grounded by a qualified installer according to the accompanying installation instructions. Have the installer show you the location of the fuse or junction box so that you know where and how to turn the power off.
- Do not install, repair or replace any part of the range hood unless specifically recommended in the literature accompanying it. A qualified service technician should perform all other service.
- Do not tamper with the controls.
- If the cooktop and range hood are near a window, use an appropriate window treatment. Avoid long drapes or other window coverings that could blow over the cooktop and hood, resulting in a fire hazard.
- The minimum vertical distance between the cooktop surface and the exterior part of the hood must be no less than 26" (66 cm). The required vertical distance may be longer for the range or cooktop being used. Consult the range or cooktop installation instructions for the minimum vertical distance from the appliance being used.
- Do not mount in a fire-rated wall.
- To Reduce The Risk Of Fire Or Electric Shock, Do Not Use This Fan With Any Solid-State Speed Control Device.

## 4 IMPORTANT SAFETY INSTRUCTIONS

---

### Operation

- To avoid the possibility of explosion or fire, do not store or use combustible, flammable or explosive vapors and liquids (such as gasoline) inside or in the vicinity of this or any other appliance. Also keep items that could explode, such as aerosol cans, away from cooktop burners, ovens and range hoods. Do not store flammable or explosive materials in adjacent cabinets or areas.
- TO REDUCE THE RISK OF FIRE, ELECTRIC SHOCK, OR INJURY TO PERSONS, OBSERVE THE FOLLOWING:
  - Use this unit only in the manner intended by the manufacturer. If you have questions, contact the manufacturer.
  - Before servicing or cleaning unit, switch the power off at the service panel and lock the service panel door to prevent the power from being switched on accidentally. When the service panel door cannot be locked, securely fasten a prominent warning device, such as a tag, to the service panel.
- Use the range hood only for its intended purpose as outlined in this manual. DO NOT use this range hood to vent hazardous or explosive materials or vapors. If you have questions, contact the manufacturer.
- Never allow the filters to become blocked or clogged. Do not allow foreign objects, such as cigarettes or napkins, to be sucked into the hood.
- Always run the fan(s) whenever the cooktop is operating.
- Do not leave children alone or unattended in the area where the cooktop and range hood are in use. Never allow children to sit or stand on an appliance. Do not let children play with a range, cooktop or range hood. Do not store items of interest to children above or around the cooktop, range or range hood.
- To avoid the possibility of explosion or fire, do not store or use combustible, flammable or explosive vapors and liquids (such as gasoline) inside or in the vicinity of this or any other appliance. Also keep items that could explode, such as aerosol cans, away from cooktop burners, ovens and range hoods. Do not store flammable or explosive materials in adjacent cabinets or areas.
- To reduce the risk of a range-top grease fire:
  - Never leave surface units unattended at high settings. Boil-overs cause smoking and greasy spill-overs that may ignite. Heat oils slowly on low or medium settings.
  - Always turn the hood ON when cooking at high heat or when flambéing food (i.e. Crepes Suzette, Cherries Jubilee, Peppercorn Beef Flambé).
  - Clean the ventilating fans frequently. Grease should not be allowed to accumulate on the fan or filter.
  - Use the proper pan size. Always use cookware appropriate for the size of the surface element.
- TO REDUCE THE RISK OF INJURY TO PERSONS IN THE EVENT OF A RANGE TOP GREASE FIRE:
  - SMOTHER FLAMES with a close-fitting lid, cookie sheet or metal tray, then turn off the burner. BE CAREFUL TO PREVENT BURNS. If the flames do not go out immediately, EVACUATE AND CALL THE FIRE DEPARTMENT.
  - NEVER PICK UP A FLAMING PAN - you may be burned.
  - DO NOT USE WATER, including wet dish cloths or towels - a violent steam explosion may result.
  - Use a fire extinguisher ONLY if:
    - You have a Class ABC extinguisher, and you already know how to operate it.
    - The fire is small and contained in the area where it started.
    - The fire department is being called.
    - You can fight the fire with your back to an exit.
- TO REDUCE THE RISK OF FIRE, ELECTRIC SHOCK, OR INJURY TO PERSONS, OBSERVE THE FOLLOWING:
  - Use this unit only in the manner intended by the manufacturer. If you have questions, contact the manufacturer.
- THIS IS A FAN – NOT A TOY!
- TO REDUCE THE RISK OF PERSONAL INJURY AND ELECTRIC SHOCK, IT SHOULD NOT BE PLAYED WITH OR PLACED WHERE SMALL CHILDREN CAN REACH IT.

- Do not operate any fan with a damaged cord or plug. Discard fan or return to an authorized service facility for examination and/or repair.
- Do not run cord under carpeting. Do not cover cord with throw rugs, runners, or similar coverings. Do not route cord under furniture or appliances. Arrange cord away from traffic area and where it will not be tripped over.

## Maintenance

- To avoid the risk of electric shock, before servicing the range hood, switch the power off at the fuse or junction box and lock the electrical panel door to prevent the power from being switched on accidentally. When the electrical panel cannot be locked, securely fasten a prominent warning device, such as a tag, to the service panel.
- To avoid the risk of electric shock, before cleaning the range hood, turn off the main power switch.
- TO REDUCE THE RISK OF FIRE, ELECTRIC SHOCK, OR INJURY TO PERSONS, OBSERVE THE FOLLOWING:
  - Before servicing or cleaning the product, switch power off at the service panel and lock the service panel door to prevent the power from being switched on accidentally. When the service panel door cannot be locked, securely fasten a prominent warning device, such as a tag, to the service panel.

## CAUTION STATEMENTS

### CAUTION

- To reduce the risk of minor or moderate injury to persons, malfunction, or damage to the product or property when using this product, follow basic precautions, including the following:

## Operation

- For general ventilating use only. DO NOT use to exhaust hazardous or explosive materials and vapors.

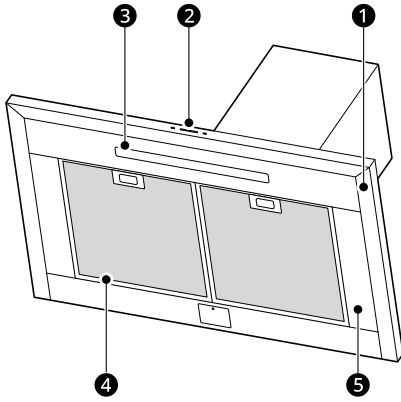
**SAVE THESE INSTRUCTIONS**

## 6 PRODUCT OVERVIEW

# PRODUCT OVERVIEW

## Product Features

### Parts



- ❶ Hood
- ❷ Control Panel
- ❸ LED Strip Light
- ❹ Mesh Filter
- ❺ Side Panel (only for LSHD3689BD, LSHD3680\*\*)

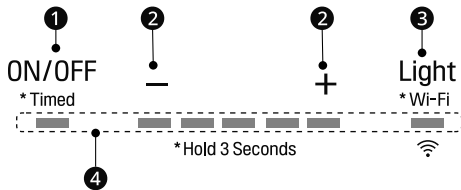
### Product Specifications

Model	LSHD3689BD LSHD3680**	LSHD3089BD LSHD3080**
Width	36"	30"
Filter	2 ea	
Light	1 ea (LED strip type)	

# OPERATION

## Control Panel

### Control Panel Features



#### 1 Power/Delay Off Button

##### Power Button Function

- Press this button to turn power on or off for entire hood (fan and light).
- The hood remembers the last speed and light level when it is turned off.

##### Delay Off Button Function

- While the fan is on, press and hold this button for three seconds. The fan speed changes to level 1 and the 5 minute delay off timer starts.

LEDs illuminate and slowly blink in accordance with the time remaining until the fan and light automatically turn off.

Pressing the button while the delay off function is enabled will turn the hood off and cancel the delay off function.



#### 2 Speed Selection Button

##### Fan Speed Decrease Button (-)

- Press this button to decrease the fan speed from level 5 to level 1.
- To turn the fan off, press this button when the fan speed is at level 1.

##### Fan Speed Increase Button (+)

- Press this button to increase the fan speed from level 1 to level 5.
- When the hood is off, press this button to turn the fan on at level 1.

#### 3 Light Button

- The light has two levels: high and low.

- When the light is off, press this button repeatedly to select high, low and off.
- Press and hold this button for 3 seconds to connect to a home Wi-Fi network. See **SMART FUNCTIONS** for more information.

#### 4 Display Indicators

##### Mesh Filter Clean Reminder (always enabled)

- After 30 hours of fan usage, the display indicators will begin to slowly blink indicating it is time to clean the mesh filters.
- To reset the mesh filter clean reminder, press the - button 2 for three seconds. All LED indicators will blink two times confirming the 30-hour timer has been reset.

## 8 SMART FUNCTIONS

# SMART FUNCTIONS

## LG ThinQ Application

This feature is only available on models with Wi-Fi.

The **LG ThinQ** application allows you to communicate with the appliance using a smartphone.

### LG ThinQ Application Features

- **Settings**
  - Allows you to set the fan speed on the hood from the application.
- **Monitoring**
  - This function helps you check the current status of the hood.

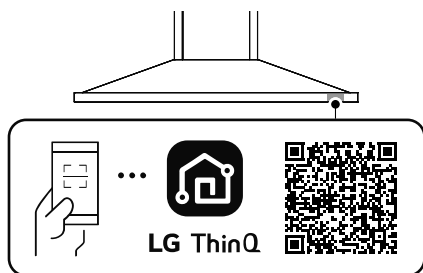
#### NOTE

- If you change your wireless router, Internet service provider, or password, delete the connected appliance from the **LG ThinQ** application and connect it again.
- To disconnect the appliance from the **Wi-Fi** network, delete the hood from the list of connected products in the **LG ThinQ** application.
- This information is current at the time of publication. The application is subject to change for product improvement purposes without notice to users.

## Installing LG ThinQ Application and Connecting an LG Appliance

### Models with QR Code

Scan the QR code attached to the product using the camera or a QR code reader application on your smartphone.



### Models without QR Code

- 1** Search for and install the **LG ThinQ** application from the Google Play Store or Apple App Store on a smartphone.
- 2** Run the **LG ThinQ** application and sign in with your existing account or create an LG account to sign in.
- 3** Touch the add (+) button on the **LG ThinQ** application to connect your LG appliance. Follow the instructions in the application to complete the process.

#### NOTE

- To verify the Wi-Fi connection, check that the Wi-Fi icon on the control panel is lit.
- The appliance supports 2.4 GHz Wi-Fi networks only. To check your network frequency, contact your Internet service provider or refer to your wireless router manual.
- **LG ThinQ** is not responsible for any network connection problems or any faults, malfunctions, or errors caused by network connection.
- The surrounding wireless environment can make the wireless network service run slowly.
- If the distance between the appliance and the wireless router is too far, the signal becomes weak. It may take a long time to connect or fail to install the application.
- If the appliance is having trouble connecting to the Wi-Fi network, it may be too far from the router. Purchase a Wi-Fi repeater (range extender) to improve the Wi-Fi signal strength.
- The network connection may not work properly depending on the Internet service provider.
- The Wi-Fi may not connect or the connection may be interrupted because of the home network environment.
- If the appliance cannot be connected due to problems with the wireless signal transmission, unplug the appliance and wait about a minute before trying again.
- If the firewall on your wireless router is enabled, disable the firewall or add an exception to it.
- The wireless network name (SSID) should be a combination of English letters and numbers. (Do not use special characters.)



- Smartphone user interface (UI) may vary depending on the mobile operating system (OS) and the manufacturer.
- If the security protocol of the router is set to **WEP**, network setup may fail. Change the security protocol (**WPA2** is recommended), and connect the product again.

### Wireless LAN Module Specifications

<b>Frequency Range</b>	2412 MHz - 2462 MHz
<b>Output Power (Max)</b>	< 30 dBm

### FCC Notice

The following notice covers the transmitter module contained in this product.

This equipment has been tested and found to comply with the limits for a Class B digital device, pursuant to Part 15 of the FCC Rules. These limits are designed to provide reasonable protection against harmful interference in a residential installation. This equipment generates, uses, and can radiate radio frequency energy and, if not installed and used in accordance with the instructions, may cause harmful interference to radio communications. However, there is no guarantee that interference will not occur in a particular installation. If this equipment does cause harmful interference to radio or television reception, which can be determined by turning the equipment off and on, the user is encouraged to try to correct the interference by one or more of the following measures:

- Reorient or relocate the receiving antenna.
- Increase the separation between the equipment and the receiver.
- Connect the equipment into an outlet on a circuit different from that to which the receiver is connected.
- Consult the dealer or an experienced radio/TV technician for help.

This device complies with part 15 of the FCC Rules. Operation is subject to the following two conditions:

- (1) This device may not cause harmful interference and
- (2) This device must accept any interference received, including interference that may cause undesired operation.

Any changes or modifications in construction of this device which are not expressly approved by the party responsible for compliance could void the user's authority to operate the equipment.

### FCC RF Radiation Exposure Statement

This equipment complies with FCC radiation exposure limits set forth for an uncontrolled environment. This transmitter must not be co-located or operating in conjunction with any other antenna or transmitter.

This equipment should be installed and operated with a minimum distance of 20 cm (7.8 inches) between the antenna and your body. Users must follow the specific operating instructions for satisfying RF exposure compliance.

### Industry Canada Statement

This device contains licence-exempt transmitter(s)/ receiver(s) that comply with Innovation, Science and Economic Development Canada's licence-exempt RSS(s). Operation is subject to the following two conditions:

- (1) This device may not cause interference.
- (2) This device must accept any interference, including interference that may cause undesired operation of the device.

### IC Radiation Exposure Statement

This equipment complies with IC radiation exposure limits set forth for an uncontrolled environment.

This equipment should be installed and operated with a minimum distance of 20 cm (7.8 inches) between the antenna and your body.

### NOTE

- THE MANUFACTURER IS NOT RESPONSIBLE FOR ANY RADIO OR TV INTERFERENCE CAUSED BY UNAUTHORIZED MODIFICATIONS TO THIS EQUIPMENT. SUCH MODIFICATIONS COULD VOID THE USER'S AUTHORITY TO OPERATE THE EQUIPMENT.

### Open Source Software Notice Information

To obtain the source code that is contained in this product, under GPL, LGPL, MPL, and other open source licenses that have the obligation to disclose

## 10 SMART FUNCTIONS

---

source code, and to access all referred license terms, copyright notices and other relevant documents, please visit <https://opensource.lge.com>.

LG Electronics will also provide open source code to you on CD-ROM for a charge covering the cost of performing such distribution (such as the cost of media, shipping, and handling) upon email request to [opensource@lge.com](mailto:opensource@lge.com).

This offer is valid to anyone in receipt of this information for a period of three years after our last shipment of this product.

# MAINTENANCE

## Care and Cleaning

### Surface Maintenance

Periodically clean the surface of the hood with hot soapy water and a clean cotton cloth. Do not use corrosive or abrasive detergent, or steel wool/ scouring pads which will scratch and damage the surface. Do not use products containing chlorine bleach or citrus-based cleaners.

For heavier soil use a liquid degreaser.

After cleaning, you may use non-abrasive stainless steel polish or cleaners to polish and buff out the stainless luster and grain. Using a clean microfiber or cotton cloth, scrub lightly and with the grain.

### Aluminum Mesh Filters

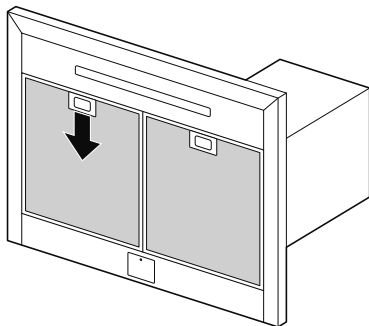
The aluminum mesh filters installed by the factory are intended to filter out residue and grease from cooking. They don't need to be replaced on a regular basis, as long as they are kept clean.

Remove and clean the filters by hand or in a dishwasher on low heat. If the filters are heavily soiled, spray them with a degreasing detergent and leave them to soak.

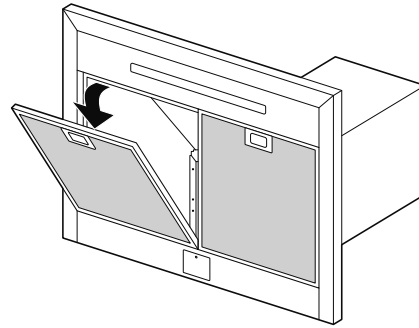
Dry filters and re-install before using hood.

### Removing Mesh Filters

- 1 Push the handle on the filter toward the back of the range hood.



- 2 Pivot the front of the filter down and pull the filter forward to remove it.



- To reassemble the filter, insert the back of the filter first and then lift the filter up into place.

### Checking Max CFM Level

- 1 With the hood off, press and hold the power button for three seconds. The indicator lights will light up to show the maximum CFM level of the hood.
  - 5 indicator lights: default max. CFM (600)
  - 4 indicator lights: max. 390 CFM
  - 3 indicator lights: max. 290 CFM
- 2 The number of fan speed settings depends on the max CFM setting.  
390 CFM = max. 4 speeds and 290 CFM = max. 3 speeds

## 12 TROUBLESHOOTING

**TROUBLESHOOTING****Before Calling for Service****Parts and Features**

<b>Problem</b>	<b>Possible Cause &amp; Solution</b>
<b>After installation, the appliance doesn't work.</b>	<b>The power source is not turned ON.</b> <ul style="list-style-type: none"> <li>• Make sure the circuit breaker and the appliance's power is ON.</li> </ul>
	<b>The power cord and the cable locking connector are not connected properly.</b> <ul style="list-style-type: none"> <li>• Make sure the power cord is properly connected to the appliance.</li> </ul>
<b>Lights work, but blower is not turning.</b>	<b>The thermally protected system detects if the blower is too hot to operate and shuts the blower down.</b> <ul style="list-style-type: none"> <li>• The blower will function properly after the thermally protected system cools down.</li> </ul>
<b>The appliance is vibrating.</b>	<b>The blower is not securely in place.</b> <ul style="list-style-type: none"> <li>• Tighten the screws holding the blower in place.</li> </ul>
	<b>Damaged blower wheel</b> <ul style="list-style-type: none"> <li>• Call for service.</li> </ul>
	<b>The appliance is not secured in place.</b> <ul style="list-style-type: none"> <li>• Check the installation of the hood.</li> </ul>
<b>The blower is working, but the lights are not.</b>	<b>The LED light connector is disconnected or the LED light is defective.</b> <ul style="list-style-type: none"> <li>• Call for service.</li> </ul>
<b>The speed levels of the blower sound the same.</b>	<b>Using the wrong size of ducting</b> <ul style="list-style-type: none"> <li>• Change the ducting to at least 8" round or 3-1/4" x 10" rectangular for single blower or 10" round for dual blower.</li> </ul>
<b>The hood is not venting out properly.</b>	<b>The hood might be hanging too far above the cooktop.</b> <ul style="list-style-type: none"> <li>• Adjust the distance between the cooktop and the bottom of the hood to within 26" to 36".</li> </ul>
	<b>The wind from the opened windows or opened doors in the surrounding area are affecting the ventilation of the hood.</b> <ul style="list-style-type: none"> <li>• Close all windows and doors to eliminate the outside airflow.</li> </ul>
	<b>Blockage in the duct opening or ductwork.</b> <ul style="list-style-type: none"> <li>• Clear any blockages from the ductwork or duct opening.</li> </ul>
	<b>The direction of duct opening is against the wind.</b> <ul style="list-style-type: none"> <li>• Adjust the duct opening direction.</li> </ul>
	<b>Using the wrong size of ducting.</b> <ul style="list-style-type: none"> <li>• Change the ducting to the correct size.</li> </ul>
<b>Mesh filter is vibrating.</b>	<b>Mesh filter is loose.</b> <ul style="list-style-type: none"> <li>• Change the metal filter.</li> </ul>
<b>The appliance turns on by itself.</b>	<b>A spotlight or kitchen lamp is shining directly onto the switch controls.</b> <ul style="list-style-type: none"> <li>• The switch controls are light sensitive. A light source aimed directly at the switch controls may disrupt switch functions.</li> </ul>

## Wi-Fi

Problem	Possible Cause & Solution
<b>Trouble connecting appliance and smartphone to Wi-Fi network</b>	<b>The password for the Wi-Fi network was entered incorrectly.</b> <ul style="list-style-type: none"> <li>Delete your home Wi-Fi network and begin the connection process again.</li> </ul>
	<b>Mobile data for your smartphone is turned on.</b> <ul style="list-style-type: none"> <li>Turn off the <b>Mobile data</b> on your smartphone before connecting the appliance.</li> </ul>
	<b>The wireless network name (SSID) is set incorrectly.</b> <ul style="list-style-type: none"> <li>The wireless network name (SSID) should be a combination of English letters and numbers. (Do not use special characters.)</li> </ul>
	<b>The router frequency is not 2.4 GHz.</b> <ul style="list-style-type: none"> <li>Only a 2.4 GHz router frequency is supported. Set the wireless router to 2.4 GHz and connect the appliance to the wireless router. To check the router frequency, check with your Internet service provider or the router manufacturer.</li> </ul>
	<b>The appliance and the router are too far apart.</b> <ul style="list-style-type: none"> <li>If the appliance is too far from the router, the signal may be weak and the connection may not be configured correctly. Move the router closer to the appliance or purchase and install a Wi-Fi repeater.</li> </ul>
	<b>During Wi-Fi setup, the app is requesting a password to connect to the product (on certain phones).</b> <ul style="list-style-type: none"> <li>Locate the network name which starts with "LG" under Settings &gt; Networks. Note the last part of the network name.           <ul style="list-style-type: none"> <li>If the network name looks like LGE_Appliance_XX-XX-XX, enter lge12345.</li> <li>If the network name looks like LGE_Appliance_XXXX, enter XXXX twice as your password. For example, if the network name appears as LGE_Appliance_8b92, then you would enter 8b928b92 as your password. In this instance, the password is case sensitive and the last 4 characters are unique to your appliance.</li> </ul> </li> </ul>

## 14 LIMITED WARRANTY

# LIMITED WARRANTY

## USA

### TERMS AND CONDITIONS

**ARBITRATION NOTICE: THIS LIMITED WARRANTY CONTAINS AN ARBITRATION PROVISION THAT REQUIRES YOU AND LG ELECTRONICS ("LG") TO RESOLVE DISPUTES BY BINDING ARBITRATION INSTEAD OF IN COURT, UNLESS YOU CHOOSE TO OPT OUT. IN ARBITRATION, CLASS ACTIONS AND JURY TRIALS ARE NOT PERMITTED. PLEASE SEE THE SECTION TITLED "PROCEDURE FOR RESOLVING DISPUTES" BELOW.**

Should your LG Hood ("Product") fail due to a defect in materials or workmanship under normal and proper use, during the warranty period set forth below, LG will, at its option, repair or replace the Product. This limited warranty is valid only to the original retail purchaser of the Product ("You") and applies only when purchased lawfully and used within the United States including U.S. Territories.

Warranty Period	Scope of Warranty
Two (2) years from date of original retail purchase	Parts and Labor (internal / functional parts only)

- Replacement Products and parts are warranted for the remaining portion of the original warranty period or ninety (90) days, whichever is greater.
- Replacement Products and parts may be new, reconditioned, refurbished, or otherwise factory remanufactured.
- Replaced Product or part(s) will be the property of LG.
- Proof of original retail purchase specifying the Product model and date of purchase is required to obtain warranty service under this limited warranty.

**EXCEPT TO THE EXTENT PROHIBITED BY APPLICABLE LAW, ANY IMPLIED WARRANTY OF MERCHANTABILITY OR FITNESS FOR A PARTICULAR PURPOSE ON THE PRODUCT IS LIMITED IN DURATION TO THE DURATION OF THE ABOVE LIMITED WARRANTY. UNDER NO CIRCUMSTANCES SHALL LG OR ITS U.S. DISTRIBUTORS/DEALERS BE LIABLE FOR ANY INDIRECT, INCIDENTAL, CONSEQUENTIAL, SPECIAL, OR PUNITIVE DAMAGES, INCLUDING, WITHOUT LIMITATION, LOST GOODWILL, LOST REVENUES OR PROFITS, WORK STOPPAGE, IMPAIRMENT OF OTHER GOODS, COST OF REMOVAL AND REINSTALLATION OF THE PRODUCT, LOSS OF USE, OR ANY OTHER DAMAGES WHETHER BASED IN CONTRACT, TORT, OR OTHERWISE. LG'S TOTAL LIABILITY, IF ANY, SHALL NOT EXCEED THE PURCHASE PRICE PAID BY YOU FOR THE PRODUCT.**

**SOME STATES DO NOT ALLOW THE EXCLUSION OR LIMITATION OF INCIDENTAL OR CONSEQUENTIAL DAMAGES OR LIMITATIONS ON HOW LONG AN IMPLIED WARRANTY LASTS, SO THE ABOVE EXCLUSIONS OR LIMITATIONS MAY NOT APPLY TO YOU. THIS LIMITED WARRANTY GIVES YOU SPECIFIC LEGAL RIGHTS AND YOU MAY ALSO HAVE OTHER RIGHTS THAT VARY FROM STATE TO STATE.**

### THIS LIMITED WARRANTY DOES NOT COVER:

- Service trips to deliver, pick up, or install, educate how to operate, correct wiring, or correct unauthorized repairs.
- Damage or failure of the Product to perform during power failures and interrupted or inadequate electrical service.
- Damage or failure of the Product caused by leaky or broken water pipes, frozen water pipes, restricted drain lines, inadequate or interrupted water supply or inadequate supply of air.
- Damage or failure of the Product resulting from operating the Product in a corrosive atmosphere or contrary to the Product owner's manual.
- Damage or failure of the Product caused by accidents, pests and vermin, lightning, wind, fire, floods, acts of nature, or any other causes beyond the control of LG.

- Damage or failure of the Product caused by unauthorized modification or alteration, or if the Product is used for other than the intended purpose, or any water leakage where the Product was not properly installed.
- Damage or failure of the Product caused by incorrect electrical current, voltage, or plumbing codes.
- Damage or failure of the Product caused by transportation, storage, and/or handling, including scratches, dents, chips, and/or other damage to the finish of the Product, unless such damage is reported within one (1) week of delivery.
- Damage or failure of the Product resulting from misuse, abuse, improper installation, repair, or maintenance. Improper repair includes the use of parts not authorized by LG. Improper installation or maintenance includes installation or maintenance contrary to the Product owner's manual.
- Damage or failure of the Product caused by the use of parts, components, accessories, consumable cleaning products, or any other products or services that were not authorized by LG.
- Damage or missing items to any display or open box Product.
- Refurbished Product or any Product sold "As Is", "Where Is", "With all Faults", or similar disclaimer.
- Products with original serial numbers that have been removed, altered, or cannot be readily determined.
- Increases in utility costs and additional utility expenses.
- Any noises associated with normal operation.
- Products used for other than normal and proper household use (e.g., commercial or industrial use) or contrary to the Product owner's manual.
- Costs associated with removal and reinstallation of the Product for repairs, or the removal and reinstallation of the Product if it is installed in an inaccessible location or not installed in accordance with the Product Owner's manual.
- Accessories, removable components, or consumable parts (e.g. Shelves, door bins, drawers, water/air filters, racks, light bulbs, batteries, etc., as applicable), except for internal/functional parts covered under this limited warranty.

**The cost of repair or replacement under these excluded circumstances shall be borne by You.**

TO OBTAIN WARRANTY SERVICE AND ADDITIONAL INFORMATION

Call 1-800-243-0000 and select the appropriate option from the menu.

Or visit our website at <http://www.lg.com>

Or by mail: LG Electronics Customer Service P.O. Box 240007 Huntsville, AL 35813 ATTN: CIC

## PROCEDURE FOR RESOLVING DISPUTES

ALL DISPUTES BETWEEN YOU AND LG ARISING OUT OF OR RELATING IN ANY WAY TO THIS LIMITED WARRANTY OR THE PRODUCT SHALL BE RESOLVED EXCLUSIVELY THROUGH BINDING ARBITRATION, AND NOT IN A COURT OF GENERAL JURISDICTION. BINDING ARBITRATION MEANS THAT YOU AND LG ARE EACH WAIVING THE RIGHT TO A JURY TRIAL AND TO BRING OR PARTICIPATE IN A CLASS ACTION.

**Definitions.** For the purposes of this section, references to "LG" mean LG Electronics U.S.A., Inc., its parents, subsidiaries and affiliates, and each of their officers, directors, employees, agents, beneficiaries, predecessors in interest, successors, assigns and suppliers; references to "dispute" or "claim" shall include any dispute, claim or controversy of any kind whatsoever (whether based in contract, tort, statute, regulation, ordinance, fraud, misrepresentation or any other legal or equitable theory) arising out of or relating in any way to the sale, condition or performance of the product or this Limited Warranty.

**Notice of Dispute.** In the event you intend to commence an arbitration proceeding, you must first notify LG in writing at least 30 days in advance of initiating the arbitration by sending a letter to LG at LG Electronics, USA, Inc. Attn: Legal Department- Arbitration 111 Sylvan Avenue, Englewood Cliffs, NJ 07632 USA. You and LG agree to engage in good faith discussions in an attempt to amicably resolve your claim. The notice must provide your name, address, and telephone number; identify the product that is the subject of the claim; and describe the nature of the claim and the relief being sought. If you and LG are unable to resolve the dispute within 30 days, either party may proceed to file a claim for arbitration.

## 16 LIMITED WARRANTY

---

**Agreement to Binding Arbitration and Class Action Waiver.** Upon failure to resolve the dispute during the 30 day period after sending written notice to LG, you and LG agree to resolve any claims between us only by binding arbitration on an individual basis, unless you opt out as provided below. Any dispute between you and LG shall not be combined or consolidated with a dispute involving any other person's or entity's product or claim. More specifically, without limitation of the foregoing, any dispute between you and LG shall not under any circumstances proceed as part of a class or representative action. Instead of arbitration, either party may bring an individual action in small claims court, but that small claims court action may not be brought on a class or representative basis.

**Arbitration Rules and Procedures.** To begin arbitration of a claim, either you or LG must make a written demand for arbitration. The arbitration will be administered by the American Arbitration Association ("AAA") and will be conducted before a single arbitrator under the AAA's Consumer Arbitration Rules that are in effect at the time the arbitration is initiated (referred to as the "AAA Rules") and under the procedures set forth in this section. The AAA Rules are available online at [www.adr.org/consumer](http://www.adr.org/consumer). Send a copy of your written demand for arbitration, as well as a copy of this provision, to the AAA in the manner described in the AAA Rules. You must also send a copy of your written demand to LG at LG Electronics, USA, Inc. Attn: Legal Department- Arbitration 111 Sylvan Avenue, Englewood Cliffs, NJ 07632 USA. If there is a conflict between the AAA Rules and the rules set forth in this section, the rules set forth in this section will govern. This arbitration provision is governed by the Federal Arbitration Act. Judgment may be entered on the arbitrator's award in any court of competent jurisdiction. All issues are for the arbitrator to decide, except that issues relating to the scope and enforceability of the arbitration provision and to the arbitrability of the dispute are for the court to decide. The arbitrator is bound by the terms of this provision.

**Governing Law.** The law of the state of your residence shall govern this Limited Warranty and any disputes between us except to the extent that such law is preempted by or inconsistent with applicable federal law.

**Fees/Costs.** You do not need to pay any fee to begin an arbitration. Upon receipt of your written demand for arbitration, LG will promptly pay all arbitration filing fees to the AAA unless you seek more than \$25,000 in damages, in which case the payment of these fees will be governed by the AAA Rules. Except as otherwise provided for herein, LG will pay all AAA filing, administration and arbitrator fees for any arbitration initiated in accordance with the AAA Rules and this arbitration provision. If you prevail in the arbitration, LG will pay your attorneys' fees and expenses as long as they are reasonable, by considering factors including, but not limited to, the purchase amount and claim amount. Notwithstanding the foregoing, if applicable law allows for an award of reasonable attorneys' fees and expenses, an arbitrator can award them to the same extent that a court would. If the arbitrator finds either the substance of your claim or the relief sought in the demand is frivolous or brought for an improper purpose (as measured by the standards set forth in Federal Rule of Civil Procedure 11(b)), then the payment of all arbitration fees will be governed by the AAA Rules. In such a situation, you agree to reimburse LG for all monies previously disbursed by it that are otherwise your obligation to pay under the AAA Rules. Except as otherwise provided for, LG waives any rights it may have to seek attorneys' fees and expenses from you if LG prevails in the arbitration.

**Hearings and Location.** If your claim is for \$25,000 or less, you may choose to have the arbitration conducted solely on the basis of (1) documents submitted to the arbitrator, (2) through a telephonic hearing, or (3) by an in-person hearing as established by the AAA Rules. If your claim exceeds \$25,000, the right to a hearing will be determined by the AAA Rules. Any in-person arbitration hearings will be held at a location within the federal judicial district in which you reside unless we both agree to another location or we agree to a telephonic arbitration.

**Opt Out.** You may opt out of this dispute resolution procedure. If you opt out, neither you nor LG can require the other to participate in an arbitration proceeding. To opt out, you must send notice to LG no later than 30 calendar days from the date of the first consumer purchaser's purchase of the product by either: (i) sending an e-mail to [optout@lge.com](mailto:optout@lge.com), with the subject line: "Arbitration Opt Out" or (ii) calling 1-800-980-2973. You must include in the opt out e-mail or provide by telephone: (a) your name and address; (b) the date on which the product was purchased; (c) the product model name or model number; and (d) the serial number (the serial number can be found (i) on the product; or (ii) online by accessing <https://www.lg.com/us/support/repair-service/schedule-repair-continued> and clicking on "Find My Model & Serial Number").

You may only opt out of the dispute resolution procedure in the manner described above (that is, by e-mail or telephone); no other form of notice will be effective to opt out of this dispute resolution procedure.



Opting out of this dispute resolution procedure will not affect the coverage of the Limited Warranty in any way, and you will continue to enjoy the full benefits of the Limited Warranty. If you keep this product and do not opt out, then you accept all terms and conditions of the arbitration provision described above.

ENGLISH

## 18 LIMITED WARRANTY

# CANADA

## TERMS AND CONDITIONS

**ARBITRATION NOTICE: THIS LIMITED WARRANTY CONTAINS AN ARBITRATION PROVISION THAT REQUIRES YOU AND LG TO RESOLVE DISPUTES BY BINDING ARBITRATION INSTEAD OF IN COURT, UNLESS THE LAWS OF YOUR PROVINCE OR TERRITORY DO NOT PERMIT THAT, OR, IN OTHER JURISDICTIONS, IF YOU CHOOSE TO OPT OUT. IN ARBITRATION, CLASS ACTIONS AND JURY TRIALS ARE NOT PERMITTED. PLEASE SEE THE SECTION TITLED "PROCEDURE FOR RESOLVING DISPUTES" BELOW.**

Should your LG Hood ("Product") fail due to a defect in materials or workmanship under normal and proper use, during the warranty period set forth below, LG Electronics Canada, Inc. ("LGECI") will, at its option, repair or replace the Product upon receipt of proof of the original retail purchase. This limited warranty is valid only to the original retail purchaser of the Product and applies only to a Product distributed, purchased and used within Canada, as determined at the sole discretion of LGECI.

<b>WARRANTY PERIOD: (Note: If the original date of purchase cannot be verified, the warranty will begin sixty (60) days from the date of manufacture).</b>	
<b>Warranty Period</b>	<b>Scope of Warranty</b>
Two (2) years from the date of original retail purchase	Parts and Labor (internal/functional parts only)

- Replacement products and parts are warranted for the remaining portion of the original warranty period or ninety (90) days, whichever is greater.
- Replacement products and parts may be new, reconditioned, refurbished, or otherwise factory remanufactured.
- Proof of original retail purchase specifying the Product model and date of purchase is required to obtain warranty service under this Limited Warranty.

**LGECI'S SOLE LIABILITY IS LIMITED TO THE LIMITED WARRANTY SET OUT ABOVE. EXCEPT AS EXPRESSLY PROVIDED ABOVE, LGECI MAKES NO, AND HEREBY DISCLAIMS, ALL OTHER WARRANTIES AND CONDITIONS RESPECTING THE PRODUCT, WHETHER EXPRESS OR IMPLIED, INCLUDING BUT NOT LIMITED TO, ANY IMPLIED WARRANTY OR CONDITION OF MERCHANTABILITY OR FITNESS FOR A PARTICULAR PURPOSE, AND NO REPRESENTATIONS SHALL BE BINDING ON LGECI. LGECI DOES NOT AUTHORIZE ANY PERSON TO CREATE OR ASSUME FOR IT ANY OTHER WARRANTY OBLIGATION OR LIABILITY IN CONNECTION WITH THE PRODUCT. TO THE EXTENT THAT ANY WARRANTY OR CONDITION IS IMPLIED BY LAW, IT IS LIMITED TO THE WARRANTY PERIOD SET OUT ABOVE. UNDER NO CIRCUMSTANCES SHALL LGECI, THE MANUFACTURER OR DISTRIBUTOR OF THE PRODUCT, BE LIABLE FOR ANY INCIDENTAL, CONSEQUENTIAL, SPECIAL, DIRECT, INDIRECT, PUNITIVE OR EXEMPLARY DAMAGES, INCLUDING, WITHOUT LIMITATION, LOSS OF GOODWILL, LOST PROFITS, LOSS OF ANTICIPATED PROFITS, LOST REVENUE, LOSS OF USE, OR ANY OTHER DAMAGE, WHETHER ARISING DIRECTLY OR INDIRECTLY FROM ANY CONTRACTUAL BREACH, FUNDAMENTAL BREACH, TORT OR OTHERWISE, OR FROM ANY ACTS OR OMISSIONS. LGECI'S TOTAL LIABILITY, IF ANY, SHALL NOT EXCEED THE PURCHASE PRICE PAID BY YOU FOR THE PRODUCT.**

This Limited Warranty gives you specific legal rights. You may also have other rights that vary from province to province depending on applicable provincial laws. Any term of this Limited Warranty that negates or varies any implied condition or warranty under provincial law is severable where it conflicts with such provincial law without affecting the remainder of this warranty's terms.

### THIS LIMITED WARRANTY DOES NOT COVER:

- Service trips to i) deliver, pick up, or install or; educate on how to operate the Product; ii) correct wiring or plumbing; or iii) correct unauthorized repairs or installations of the Product;
- Damage or failure of the Product to perform during power failures and interrupted or inadequate electrical service;

- Damage or failure caused by leaky or broken water pipes, frozen water pipes, restricted drain lines, inadequate or interrupted water supply or inadequate supply of air;
- Damage or failure resulting from operating the Product in a corrosive atmosphere or contrary to the instructions outlined in the Product's owner's manual;
- Damage or failure to the Product caused by accidents, pests and vermin, lightning, wind, fire, floods, acts of God, or any other causes beyond the control of LGECI or the manufacturer;
- Damage or failure resulting from misuse, abuse, improper installation, repair, or maintenance of the Product. Improper repair includes use of parts not authorized or specified by LGECI. Improper installation or maintenance includes installation or maintenance contrary to the Product's owner's manual;
- Damage or failure caused by unauthorized modification or alteration of the Product, or if used for other than the intended household purpose/use of the Product, or damage or failure resulting from any water leakage due to improper installation of the Product;
- Damage or failure caused by incorrect electrical current, voltage or plumbing codes;
- Damage or failure caused by use that is other than normal household use, including, without limitation, commercial or industrial use, including use in commercial offices or recreational facilities, or as otherwise outlined in the Product's owner's manual;
- Damage or failure caused by the use of any accessories, components or cleaning products, including, without limitation, water filters, that are not approved/authorized by LGECI;
- Damage or failure caused by transportation and handling, including scratches, dents, chips and/or other damage to the finish of the Product, unless such damage results from defects in materials or workmanship and is reported to LGECI within one (1) week of delivery of the Products;
- Damage or missing items to any display, open box, refurbished or discounted Product;
- Refurbished Product or any Product sold "As Is", "Where Is", "With all Faults", or any similar disclaimer;
- Products with original serial numbers that have been removed, altered or cannot be readily determined at the discretion of LGECI;
- Increases in utility costs and additional utility expenses in any way associated with the Product;
- Any noises associated with normal operation of the Product;
- Replacement of any part that was not originally included with the Product;
- Replacement of light bulbs, filters, fuses or any other consumable parts;
- Costs associated with removal and/or reinstallation of the Product for repairs; and
- Shelves, door bins, drawers, handle and accessories to the Product, except for internal/functional parts covered under this Limited Warranty.

**All costs and expenses associated with the above excluded circumstances, listed under the heading, This Limited Warranty Does Not Cover, shall be borne by the consumer.**

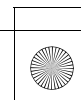
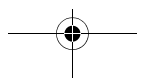
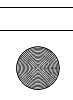
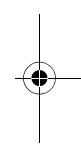
TO OBTAIN WARRANTY SERVICE AND ADDITIONAL INFORMATION, PLEASE CALL OR VISIT OUR WEBSITE:

- Call 1-888-542-2623 (7 A.M. to 12 A.M., 365 days a year) and select the appropriate option from the menu.
- Visit our website at <http://www.lg.com>



# 20 Memo

---





Escanee el código QR para ver el manual.



# MANUAL DEL PROPIETARIO

# CAMPANA

---

Lea el manual del propietario detenidamente previo a operar el electrodoméstico y mantengalo al alcance para futuras referencias.

**ESPAÑOL**

LSHD3689BD LSHD3089BD LSHD3680\*\* LSHD3080\*\*

[www.lg.com](http://www.lg.com)

Copyright © 2017-2024 LG Electronics Inc. Todos los derechos reservados

2

---

## ÍNDICE

### 3 INSTRUCCIONES IMPORTANTES DE SEGURIDAD

---

- 3 LEA TODAS LAS INSTRUCCIONES ANTES DE UTILIZAR
- 3 DECLARACIÓN DE ADVERTENCIA
- 5 MENSAJES DE PRECAUCIÓN

### 6 DESCRIPCIÓN GENERAL DEL PRODUCTO

---

- 6 Características del producto

### 7 FUNCIONAMIENTO

---

- 7 Panel de control

### 8 FUNCIONES INTELIGENTES

---

- 8 Aplicación LG ThinQ

### 11 MANTENIMIENTO

---

- 11 Cuidado y limpieza

### 12 SOLUCIÓN DE PROBLEMAS

---

- 12 Antes de llamar al servicio técnico

### 14 GARANTÍA LIMITADA

---

- 14 EE. UU.

# INSTRUCCIONES IMPORTANTES DE SEGURIDAD

## LEA TODAS LAS INSTRUCCIONES ANTES DE UTILIZAR

ESPAÑOL

### Mensajes de seguridad

**Su seguridad y la de los demás son muy importantes.**

Tanto en este manual como en el equipo, hemos proporcionado muchos mensajes de seguridad importantes. Siempre debe leer y respetar todos los mensajes de seguridad.



Este es el símbolo de alerta de seguridad.

Este símbolo le advierte sobre posibles riesgos que pueden ocasionar lesiones o la muerte a usted o a otros. El símbolo de alerta de seguridad siempre estará acompañado de las palabras "ADVERTENCIA" o "PRECAUCIÓN" y seguido de un mensaje de seguridad importante.

Estos términos significan lo siguiente:



#### **ADVERTENCIA**

El incumplimiento de las instrucciones podría causarle la muerte o lesiones graves.



#### **PRECAUCIÓN**

El incumplimiento de las instrucciones podría causarle lesiones o daños al producto.

Todos los mensajes de seguridad le indicarán cuáles son los peligros potenciales, cómo reducir la posibilidad de lesiones y qué podría suceder si no sigue las instrucciones.

LEA Y GUARDE ESTAS INSTRUCCIONES.

## DECLARACIÓN DE ADVERTENCIA

### **ADVERTENCIA**

- Para disminuir el riesgo de explosiones, incendios, descargas eléctricas, quemaduras, lesiones o muerte para las personas que usen este artefacto, siga las precauciones básicas, incluidas las siguientes:

### Instalación

- Si recibe un producto dañado, contacte inmediatamente al distribuidor o al constructor. No instale ni utilice una campana dañada.
- Asegúrese de que un instalador calificado instale y conecte a tierra su campana extractora de acuerdo con las instrucciones de instalación suministradas. Haga que el instalador le muestre la ubicación de la caja de empalmes o fusibles para que usted sepa dónde y cómo apagar el artefacto.
- No instale, repare o reemplace ninguna pieza de la campana extractora, salvo que esto se recomiende específicamente en la documentación suministrada. Toda otra tarea de mantenimiento debe ser realizada por un técnico calificado.
- No manipule indebidamente los controles.
- Si la placa de cocción y la campana extractora se encuentran cerca de una ventana, asegúrese de que la ventana cumpla con las condiciones adecuadas. Evite que la ventana tenga cortinas largas u otras cubiertas que podrían volar sobre la placa de cocción y la campana, ya que esto puede significar un riesgo de incendio.
- La distancia vertical mínima entre la superficie de la placa de cocción y la parte exterior de la campana no debe ser inferior a 26" (66 cm). La distancia vertical requerida podría tener que ser mayor según la cocina o la placa de cocción que se esté usando. Consulte las instrucciones de instalación de la cocina o la placa de cocción para conocer la distancia mínima vertical desde el electrodoméstico que se utilice.
- No instale en una pared que pueda incendiarse.

## 4 INSTRUCCIONES IMPORTANTES DE SEGURIDAD

---

- Para reducir el riesgo de incendio o descarga eléctrica, no use este ventilador con dispositivos de control de velocidad en estado sólido.

### FUNCIONAMIENTO

- Para evitar que se produzcan explosiones o incendios, no almacene ni use líquidos o vapores combustibles, inflamables o explosivos (como, por ejemplo, gasolina) dentro o cerca de este o cualquier otro electrodoméstico. Además, mantenga cualquier artículo que pueda explotar, como, por ejemplo, latas de aerosol, alejado de los quemadores de la placa de cocción, del horno y de la campana extractora. No almacene materiales explosivos o inflamables en áreas o alacenas cercanas.
- **PARA REDUCIR EL RIESGO DE INCENDIO, DESCARGAS ELÉCTRICAS O LESIONES PERSONALES, TENGA EN CUENTA LO SIGUIENTE:**
  - Use esta unidad solamente del modo previsto por el fabricante. Si tiene alguna pregunta, contacte al fabricante.
  - Antes de limpiar o realizarle mantenimiento a la unidad, apáguela desde el panel de servicio y bloquee la puerta del panel de servicio para evitar que la unidad se encienda por accidente. En caso de que la puerta del panel de servicio no se pueda bloquear, coloque un dispositivo de advertencia bien visible y firmemente sujeto, como, por ejemplo, una etiqueta, en el panel de servicio.
- Use la campana extractora solo para el propósito previsto, tal como se describe en este manual. NO utilice esta campana para la extracción de materiales o vapores peligrosos o bien explosivos. Si tiene alguna pregunta, contacte al fabricante.
- Nunca permita que los filtros se bloqueen u obstruyan. No permita que objetos extraños, tales como cigarrillos o servilletas, sean aspirados por la campana.
- Siempre ponga en funcionamiento el/los ventilador(es) cuando esté utilizando la placa de cocción.
- No deje niños solos o sin vigilancia en el área donde se estén utilizando la placa de cocción y la campana extractora. Nunca permita que los niños se sienten en un electrodoméstico o se suban a él. No permita que los niños jueguen con una cocina, una placa de cocción o una campana extractora. No almacene artículos de interés para los niños encima o alrededor de la placa de cocción, la cocina o la campana extractora.
- Para evitar que se produzcan explosiones o incendios, no almacene ni use líquidos o vapores combustibles, inflamables o explosivos (como, por ejemplo, gasolina) dentro o cerca de este o cualquier otro electrodoméstico. Además, mantenga cualquier artículo que pueda explotar, como, por ejemplo, latas de aerosol, alejado de los quemadores de la placa de cocción, del horno y de la campana extractora. No almacene materiales explosivos o inflamables en áreas o alacenas cercanas.
- Para reducir el riesgo de incendio provocado por grasa en la superficie de la cocina:
  - Nunca deje las placas de cocción sin supervisión en configuraciones de altas temperaturas. Los derramamientos por ebullición producen humo y los derrames de grasa pueden arder. Caliente las grasas y los aceites lentamente y en configuraciones de temperatura bajas o medias.
  - Siempre ENCIENDA la campana cuando cocine a altas temperaturas o cuando realice flambeados (por ejemplo, crepes Suzette, cerezas Jubilee, flambeado de carne a la pimienta).
  - Limpie con frecuencia los ventiladores. No debe dejar que se acumule grasa en el ventilador o el filtro.
  - Use el tamaño adecuado de olla. Siempre utilice utensilios de cocina de dimensiones adecuadas para el tamaño de la placa de cocción.
- **PARA REDUCIR EL RIESGO DE LESIONES PERSONALES EN CASO DE UN INCENDIO PROVOCADO POR GRASA EN LA SUPERFICIE DE LA COCINA:**
  - SOFOQUE LAS LLAMAS con una tapa que se ajuste bien, una asadera o una bandeja de metal y luego apague el quemador. SEA CUIDADOSO PARA EVITAR QUEMADURAS. Si las llamas no se apagan inmediatamente, EVACUE Y LLAME A LOS BOMBEROS.
  - NUNCA TOME UNA OLLA EN LLAMAS: podría quemarse.
  - NO USE AGUA, lo que incluye toallas o paños de cocina húmedos: podría producirse una explosión de vapor violenta.
  - Use un extintor SOLAMENTE si:



Tiene un extintor clase ABC y ya sabe cómo operarlo.

El fuego es pequeño y se encuentra contenido en el área donde comenzó.

Ya llamó a los bomberos.

Puede intentar apagar el fuego manteniendo su espalda hacia una salida.

- PARA REDUCIR EL RIESGO DE INCENDIO, DESCARGAS ELÉCTRICAS O LESIONES PERSONALES, TENGA EN CUENTA LO SIGUIENTE:
  - Use esta unidad solamente del modo previsto por el fabricante. Si tiene alguna pregunta, contacte al fabricante.
- ESTO ES UN VENTILADOR: ¡NO UN JUGUETE!
- PARA REDUCIR EL RIESGO DE LESIONES PERSONALES Y DESCARGA ELÉCTRICA, NO SE DEBE JUGAR CON ÉL NI COLOCARLO EN LUGARES AL ALCANCE DE NIÑOS PEQUEÑOS.
- No use el ventilador con cables dañados. Deseche el ventilador o devuélvalo a un centro de mantenimiento autorizado para su examen o reparación.
- No coloque el cable debajo de alfombras. No cubra el cable con tapetes, correderas o cubiertas similares. No coloque el cable debajo de muebles o electrodomésticos. Disponga el cable lejos de un área transitada y en la que no causará tropezos.

## Mantenimiento

- Para evitar el riesgo de descargas eléctricas, antes de realizarle mantenimiento a la campana extractora, apáguela desde la caja de empalmes o fusibles y bloquee la puerta del panel eléctrico para evitar que la unidad se encienda por accidente. En caso de que el panel eléctrico no se pueda bloquear, coloque un dispositivo de advertencia bien visible y firmemente sujeto, como, por ejemplo, una etiqueta, en el panel de servicio.
- Para evitar el riesgo de descarga eléctrica, antes de limpiar la campana extractora, apague el interruptor principal.
- PARA REDUCIR EL RIESGO DE INCENDIO, DESCARGAS ELÉCTRICAS O LESIONES PERSONALES, TENGA EN CUENTA LO SIGUIENTE:
  - Antes de limpiar o realizarle mantenimiento al producto, apáguelo desde el panel de servicio y bloquee la puerta del panel de servicio para evitar que la unidad se encienda por accidente. En caso de que la puerta del panel de servicio no se pueda bloquear, coloque un dispositivo de advertencia bien visible y firmemente sujeto, como, por ejemplo, una etiqueta, en el panel de servicio.

## MENSAJES DE PRECAUCIÓN

### PRECAUCIÓN

- Para reducir el riesgo de lesiones leves o moderadas a personas, el mal funcionamiento o daño al producto o propiedad cuando use este producto, siga las precauciones básicas, incluidas las siguientes:

## FUNCIONAMIENTO

- Solo para uso de ventilación general. NO utilizar para la extracción de materiales y vapores peligrosos o explosivos.

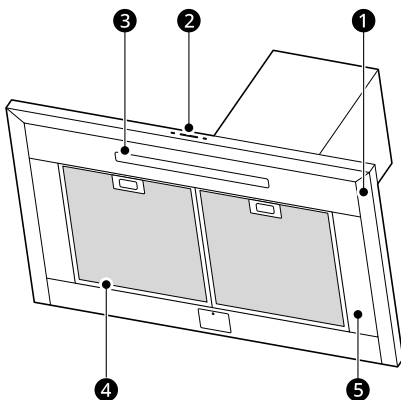
# GUARDE ESTAS INSTRUCCIONES

## 6 DESCRIPCIÓN GENERAL DEL PRODUCTO

# DESCRIPCIÓN GENERAL DEL PRODUCTO

## Características del producto

### Piezas



- ❶ Campana
- ❷ Panel de control
- ❸ Tira de luz LED
- ❹ Filtro de malla
- ❺ Panel lateral (solo para LSHD3689BD, LSHD3680\*\*)

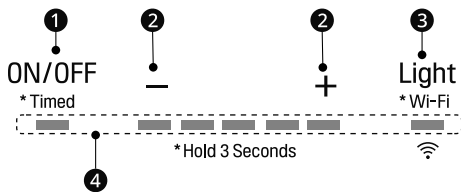
### Especificaciones del producto

Modelo	LSHD3689BD LSHD3680**	LSHD3089BD LSHD3080**
Ancho	36"	30"
Filtro	2 c/u	
Luz	1 c/u (tipo: tira LED)	

# FUNCIONAMIENTO

## Panel de control

### Funciones del panel de control



#### 1 Botón de Encendido/Retraso de apagado

##### Función del botón de encendido

- Presione este botón para encender o apagar toda la campana (ventilador y luz).
- La campana recuerda la última velocidad y el último nivel de luz al apagarla.

##### Función del botón de retraso de apagado

- Mientras el ventilador esté encendido, mantenga presionado este botón durante tres segundos. Después de esto, la velocidad del ventilador cambiará al nivel 1 y se iniciará el temporizador de retraso de apagado de 5 minutos.

Las luces LED se iluminarán y parpadearán lentamente en función del tiempo restante hasta que el ventilador y la luz se apaguen automáticamente.

Si presiona el botón mientras la función de retraso de apagado está activada, la campana se apagará y se cancelará dicha función.



#### 2 Botón de Selección de velocidad

##### Botón de disminución de la velocidad del ventilador (-)

- Presione este botón para disminuir la velocidad del ventilador del nivel 5 al nivel 1.
- Para apagar el ventilador, presione este botón cuando la velocidad del ventilador esté en el nivel 1.

##### Botón de aumento de la velocidad del ventilador (+)

- Presione este botón para aumentar la velocidad del ventilador del nivel 1 al nivel 5.
- Cuando la campana esté apagada, presione este botón para encender el ventilador en el nivel 1.

#### 3 Botón de Luz

- La luz tiene dos niveles: alto y bajo.
- Cuando la luz esté apagada, presione este botón varias veces para seleccionar las opciones alta, baja y apagada.
- Mantenga presionado este botón durante 3 segundos para conectarse a una red Wi-Fi doméstica. Consulte **FUNCIONES INTELIGENTES** para obtener más información.

#### 4 Indicadores de pantalla

##### Recordatorio de limpieza del filtro de malla (siempre activado)

- Después de 30 horas de uso del ventilador, los indicadores de la pantalla comenzarán a parpadear lentamente indicando que es hora de limpiar los filtros de malla.
- Para reiniciar el recordatorio de limpieza del filtro de malla, presione el botón - 2 durante tres segundos. Todos los indicadores LED parpadearán dos veces para confirmar que se ha reiniciado el temporizador de 30 horas.

## 8 FUNCIONES INTELIGENTES

# FUNCIONES INTELIGENTES

## Aplicación LG ThinQ

Esta característica solo está disponible en modelos con Wi-Fi.

La aplicación **LG ThinQ** le permite comunicarse con el electrodoméstico usando un teléfono inteligente.

### Funciones de la aplicación LG ThinQ

#### • Configuración

- Permite configurar la velocidad del ventilador de la campana desde la aplicación.

#### • Monitorización

- Esta función le ayuda a comprobar el estado actual de la campana.

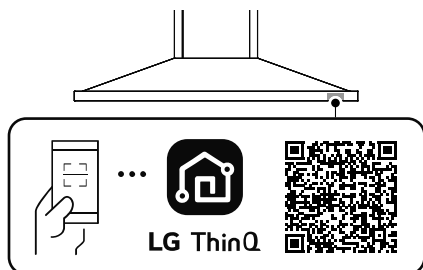
#### NOTA

- Si cambia de enrutador inalámbrico, proveedor de Internet, o contraseña, borre el electrodoméstico conectado a la aplicación **LG ThinQ** y proceda a conectarlo de nuevo.
- Para desconectar el electrodoméstico de la red **Wi-Fi**, elimine la campana de la lista de productos conectados en la aplicación **LG ThinQ**.
- Esta información está actualizada en el momento de su publicación. La aplicación está sujeta a cambios, con fines de mejorar el producto, sin previo aviso a los usuarios.

## Instalación de la aplicación LG ThinQ y conexión de un electrodoméstico LG

### Modelos con código QR

Escanee el código QR que trae el producto con la cámara o una aplicación lectora de códigos QR en su teléfono inteligente.



### Modelos sin código QR

- 1 Busque la aplicación **LG ThinQ** en la tienda Google Play o Apple App Store e instálela en su teléfono inteligente.
- 2 Ejecute la aplicación **LG ThinQ** e inicie sesión con su cuenta actual, o cree una cuenta LG para iniciar sesión.
- 3 Pulse el botón Agregar (+) en la aplicación **LG ThinQ** para conectar su electrodoméstico LG. Siga las instrucciones en la aplicación y complete el proceso.

#### NOTA

- Para verificar la conexión Wi-Fi, revise que el icono en el panel de control esté encendido.
- El electrodoméstico funciona únicamente con redes Wi-Fi de 2.4 GHz. Contacte a su proveedor de servicios de internet o verifique el manual del enrutador inalámbrico para revisar la frecuencia de su red.
- **LG ThinQ** no es responsable por ningún problema de conexión en red, falla, mal funcionamiento o error causado por la conexión de red.
- El entorno inalámbrico circundante puede hacer que el servicio de red inalámbrica funcione lentamente.
- Si la distancia entre el electrodoméstico y el enrutador inalámbrico es muy grande, la señal será débil. Probablemente le tome más tiempo conectarse o no pueda instalar la aplicación.
- Si el aparato tiene problemas para conectarse a la red Wi-Fi, es posible que se encuentre demasiado lejos del router. Adquiera un repetidor Wi-Fi (extensor de alcance) para mejorar la intensidad de la señal Wi-Fi.
- Es posible que la conexión de red no funcione bien por cuestiones relacionadas con su proveedor de servicios de Internet.
- Es posible que la conexión Wi-Fi no se conecte o se interrumpa debido al entorno de la red doméstica.
- Si no se puede conectar el electrodoméstico por problemas con la transmisión de la señal inalámbrica, desconéctelo y espere alrededor de un minuto previo a intentarlo de nuevo.

- Si el cortafuegos de su enrutador inalámbrico está activado, desactívelo o añada una excepción a éste.
- El nombre de la red inalámbrica (SSID) debe ser una combinación de letras y números. (No utilice símbolos especiales)
- Puede que la interfaz del usuario del teléfono inteligente (UI) varíe dependiendo del sistema operativo del móvil (os) y del fabricante.
- Puede que la configuración de red falle si el protocolo de seguridad del enrutador está en **WEP**. Cambie el protocolo de seguridad por otro (es recomendado el **WPA2**) y conecte el producto de nuevo.

El dispositivo cumple con la parte 15 de las Reglas FCC. La operación está sujeta a las siguientes dos condiciones:

- (1) Este dispositivo no debe causar interferencia dañina, y
- (2) Este dispositivo debe aceptar cualquier interferencia recibida, incluso aquellas que pudieran causar un funcionamiento no deseado del dispositivo.

Cualquier cambio o modificación en la construcción de este dispositivo, que no cuente con la aprobación expresa de la parte responsable del cumplimiento, puede anular la autorización del usuario para operarlo.

## Especificaciones módulo LAN inalámbrico

<b>Rango de frecuencia</b>	2412 MHz - 2462 MHz
<b>Potencia de salida (máx.)</b>	< 30 dBm

## Aviso de la FCC

El siguiente aviso abarca el módulo del transmisor que contiene este producto.

Este equipo fue probado y se determinó que cumple con los límites para los dispositivos digitales de Clase B, en conformidad con la parte 15 de las normas de la FCC. Estos límites están diseñados para ofrecer una protección razonable contra interferencias dañinas en una instalación residencial. Este equipo genera, usa y puede emitir energía de radiofrecuencia y, si no se instala y utiliza de acuerdo con las instrucciones, podría causar interferencias dañinas a las comunicaciones por radio. Sin embargo, no se garantiza que dicha interferencia no pueda ocurrir en instalaciones particulares. Si este equipo causa interferencia dañina a la recepción de radio o televisión, que se puede determinar encendiendo y apagando el equipo, se aconseja al usuario intentar corregir la interferencia realizando alguna de las siguientes acciones:

- Reorientar o reubicar la antena receptora.
- Aumentar la separación entre el equipo y el receptor.
- Conectar el equipo a una toma de corriente en un circuito diferente del utilizado por el receptor.
- Consultar al vendedor o a un técnico de radio/TV con experiencia para solicitar ayuda.

## Declaración sobre exposición a la radiación de RF de la FCC

Este equipo cumple con los límites de exposición a la radiación de la FCC establecidos para entornos no controlados. Este transmisor no se debe ubicar ni operar junto con ninguna otra antena ni transmisor.

El equipo se debe instalar y operar con una distancia mínima de 20 cm (7.8 pulg.) entre la antena y su cuerpo. Los usuarios deben seguir las instrucciones de operación específicas de manera tal de cumplir con las normas de exposición a la RF.

## Declaración de Industry Canada

Este dispositivo contiene transmisores/receptores exentos de licencia que cumplen con las RSS de innovación, ciencia y desarrollo económico exentas de licencia de Canadá. Su funcionamiento queda sujeto a las siguientes condiciones:

- (1) Este dispositivo no debe causar interferencia.
- (2) Este dispositivo debe aceptar cualquier interferencia recibida, incluyendo interferencia que puede causar el funcionamiento no deseado del dispositivo.

## Declaración sobre Exposición a Radiación de la IC

Este equipo cumple con los límites de exposición a la radiación de la IC establecidos para entornos no controlados.

Este equipo debe ser instalado y operado con una distancia mínima de 20 cm (7.8 pulg.) entre la antena y su cuerpo.

## 10 FUNCIONES INTELIGENTES

---

### NOTA

- EL FABRICANTE NO SE HACE RESPONSABLE DE CUALQUIER INTERFERENCIA DE TV O RADIO CAUSADA POR MODIFICACIONES NO AUTORIZADAS A ESTE EQUIPO. TALES MODIFICACIONES PODRÍAN ANULAR LA AUTORIDAD DEL USUARIO PARA PONER EL EQUIPO EN FUNCIONAMIENTO.
- 

### Software de código abierto

Para obtener el código fuente bajo GPL, LGPL, MPL y otras licencias de código abierto con las obligaciones para divulgar el código abierto, que contiene este producto, y para acceder a todos los términos de la licencia, avisos de derechos de autor y otros documentos relevantes, visite <https://opensource.lge.com>.

LG Electronics también le proporcionará el código abierto en un CD-ROM por un costo que cubra los gastos de dicha distribución (como el costo del medio, del envío y de la manipulación) una vez realizado el pedido por correo electrónico a la dirección [opensource@lge.com](mailto:opensource@lge.com).

Esta oferta es válida para todo aquel que reciba esta información durante un período de tres años después de que se envíe el último cargamento de este producto.

# MANTENIMIENTO

## Cuidado y limpieza

### Mantenimiento de superficies

Limpie periódicamente la superficie de la campana con agua caliente jabonosa y un paño limpio de algodón. No use detergentes corrosivos o abrasivos, ni esponjas abrasivas o almohadillas de lana de acero, ya que rayarían y dañarían la superficie. No use productos que contengan blanqueadores con lejía o limpiadores a base de cítricos.

Para la suciedad más difícil, use un desengrasante líquido.

Después de la limpieza, puede usar pulidores o limpiadores de acero inoxidable no abrasivos para pulir y dar lustre al acero inoxidable y a su textura. Con un paño limpio de microfibra o algodón, frote suavemente y en sentido de la textura del acero.

### Filtros de malla de aluminio

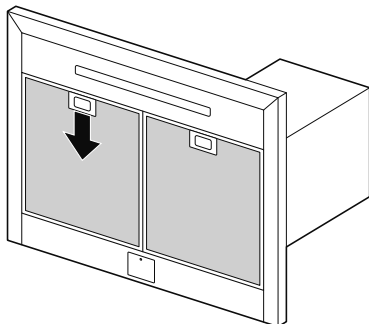
Los filtros de malla de aluminio instalados de fábrica tienen por objeto filtrar los residuos y la grasa de la cocción. No es necesario reemplazarlos regularmente, siempre que se mantengan limpios.

Extraiga y limpie los filtros a mano o en un lavavajillas a baja temperatura. Si los filtros están muy sucios, rocíelos con un detergente desengrasante y déjelos en remojo.

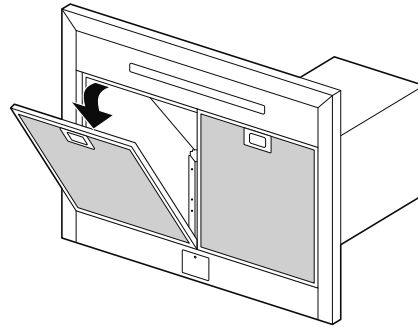
Seque los filtros y vuelva a instalarlos antes de usar la campana.

### Extracción de los filtros de malla

- 1 Empuje la manija del filtro hacia la parte posterior de la campana extractora.



- 2 Gire la parte delantera del filtro hacia abajo y tire de él hacia delante para extraerlo.



- Para volver a ensamblar el filtro, inserte la parte trasera del filtro primeramente y luego levante el filtro hasta dejarlo en su lugar.

### Verificación del nivel máximo de CFM

- 1 Con la campana apagada, mantenga pulsado el botón de encendido por tres segundos. Las luces indicadoras se encenderán para mostrar el nivel máximo de CFM de la campana.
  - 5 indicadores luminosos: por defecto máx. CFM (600)
  - 4 indicadores luminosos: máx. 390 CFM
  - 3 indicadores luminosos: máx. 290 CFM
- 2 El número de ajustes de velocidad del ventilador depende del ajuste de CFM máx. 390 CFM = máx. 4 velocidades y 290 CFM = máx. 3 velocidades

## 12 SOLUCIÓN DE PROBLEMAS

**SOLUCIÓN DE PROBLEMAS****Antes de llamar al servicio técnico****Partes y características**

Problemas	Causas posibles y solución
Después de la instalación, el electrodoméstico no funciona.	<b>La fuente de alimentación no está ENCENDIDA.</b> <ul style="list-style-type: none"> <li>Asegúrese de que la alimentación del disyuntor y del electrodoméstico estén ENCENDIDAS.</li> </ul>
	<b>El cable de alimentación y el conector de bloqueo del cable no están conectados correctamente.</b> <ul style="list-style-type: none"> <li>Asegúrese de que el cable de alimentación esté conectado correctamente al electrodoméstico.</li> </ul>
Las luces funcionan, pero el ventilador no gira.	<b>El sistema de protección térmica detecta si el ventilador está demasiado caliente para funcionar y lo apaga.</b> <ul style="list-style-type: none"> <li>El ventilador volverá a funcionar correctamente después de que el sistema de protección térmica se enfríe.</li> </ul>
El electrodoméstico vibra.	<b>El ventilador no se encuentra colocado correctamente.</b> <ul style="list-style-type: none"> <li>Apriete los tornillos que sujetan el ventilador.</li> </ul>
	<b>Rueda del ventilador dañada</b> <ul style="list-style-type: none"> <li>Llamar al servicio técnico.</li> </ul>
	<b>El electrodoméstico no se encuentra asegurado en su lugar.</b> <ul style="list-style-type: none"> <li>Verifique la instalación de la campana.</li> </ul>
El ventilador funciona, pero las luces no.	<b>El conector de la luz LED está desconectado o la luz LED tiene algún defecto.</b> <ul style="list-style-type: none"> <li>Llamar al servicio técnico.</li> </ul>
No se escuchan diferencias entre los niveles de velocidad del ventilador.	<b>Uso de conductos de tamaño incorrecto</b> <ul style="list-style-type: none"> <li>Para ventilador individual, cambie los conductos por unos redondos de al menos 8" o por unos rectangulares de 3-1/4" x 10". Para ventilador doble, cámbielos por unos redondos de 10".</li> </ul>
La campana no está ventilando correctamente.	<b>Puede que la campana esté colocada demasiado lejos de la placa de cocción.</b> <ul style="list-style-type: none"> <li>La distancia entre la placa de cocción y la parte inferior de la campana se debe ajustar entre 26" y 36".</li> </ul>
	<b>Las corrientes de aire procedentes de ventanas o puertas abiertas en los alrededores afectan la ventilación de la campana.</b> <ul style="list-style-type: none"> <li>Cierre todas las ventanas y puertas para eliminar corrientes de aire desde el exterior.</li> </ul>
	<b>Obstrucción en la abertura del conducto o en los conductos.</b> <ul style="list-style-type: none"> <li>Elimine cualquier obstrucción de los conductos o de la abertura del conducto.</li> </ul>
	<b>La dirección de la abertura del conducto se encuentra en dirección contraria al viento.</b> <ul style="list-style-type: none"> <li>Ajuste la dirección de la abertura del conducto.</li> </ul>
	<b>Uso de conductos de tamaño incorrecto.</b> <ul style="list-style-type: none"> <li>Cambie los conductos por unos del tamaño correcto.</li> </ul>
El filtro de malla vibra.	<b>El filtro de malla está suelto.</b> <ul style="list-style-type: none"> <li>Cambie el filtro metálico.</li> </ul>



Problemas	Causas posibles y solución
<b>El electrodoméstico se enciende solo.</b>	<p><b>Un foco o una lámpara de cocina iluminan directamente los controles del interruptor.</b></p> <ul style="list-style-type: none"> <li>Los controles del interruptor son sensibles a la luz. Una fuente de luz dirigida directamente a los controles del interruptor podría alterar su funcionamiento.</li> </ul>

## Wi-Fi

Problemas	Causas posibles y solución
<b>Problemas para conectar el electrodoméstico y el teléfono inteligente a la red Wi-Fi</b>	<p><b>Se introdujo una contraseña incorrecta para la red Wi-Fi.</b></p> <ul style="list-style-type: none"> <li>Borre su red Wi-Fi doméstica e inicie el proceso de registro de nuevo.</li> </ul>
	<p><b>Red Móvil está activada en su teléfono inteligente.</b></p> <ul style="list-style-type: none"> <li>Desactive los <b>Datos móviles</b> de su teléfono inteligente antes de conectar el electrodoméstico.</li> </ul>
	<p><b>El nombre de la red inalámbrica (SSID) se ha configurado incorrectamente.</b></p> <ul style="list-style-type: none"> <li>El nombre de la red inalámbrica (SSID) debe ser una combinación de letras y números. (No utilice símbolos especiales)</li> </ul>
	<p><b>La frecuencia del enrutador no es de 2,4 GHz.</b></p> <ul style="list-style-type: none"> <li>Sólo se admite una frecuencia de enrutador de 2.4 GHz. Configure el enrutador inalámbrico a 2.4 GHz y conecte el electrodoméstico a éste. Para verificar la frecuencia del enrutador, consulte con su proveedor de servicios de internet o con el fabricante del enrutador.</li> </ul>
	<p><b>El electrodoméstico y el enrutador están demasiado separados.</b></p> <ul style="list-style-type: none"> <li>Si el electrodoméstico está muy lejos del enrutador, puede que la señal sea débil y que la conexión no se configure correctamente. Reubique el enrutador para que esté más cerca del electrodoméstico o adquiera e instale un repetidor Wi-Fi.</li> </ul>
	<p><b>Durante la configuración de Wi-Fi, la aplicación requiere una contraseña para conectar el producto (en determinados teléfonos).</b></p> <ul style="list-style-type: none"> <li>Ubique el nombre de la red que comienza con "LG" en Configuración &gt; Redes. Anote la última parte del nombre de la red. <ul style="list-style-type: none"> <li>Si el nombre de la red se asemeja a LGE_Appliance_XX-XX-XX, ingrese lge12345.</li> <li>Si el nombre de la red tiene el siguiente formato LGE_Appliance_XXXX, ingrese XXXX dos veces como su contraseña. Por ejemplo, si el nombre de la red aparece como LGE_Appliance_8b92, entonces debe ingresar 8b928b92 como contraseña. En esta instancia, la contraseña distingue mayúsculas de minúsculas y los últimos 4 caracteres son exclusivos de su electrodoméstico.</li> </ul> </li> </ul>

## 14 GARANTÍA LIMITADA

**GARANTÍA LIMITADA****EE. UU.****TÉRMINOS Y CONDICIONES**

**AVISO DE ARBITRAJE: ESTA GARANTÍA LIMITADA CONTIENE UNA CLÁUSULA DE ARBITRAJE QUE LE DEMANDA A USTED Y A LG ELECTRONICS ("LG") RESOLVER CONFLICTOS A TRAVÉS DE UN ARBITRAJE VINCULANTE EN LUGAR DE HACERLO EN EL TRIBUNAL, A MENOS QUE USTED DECIDA NO PARTICIPAR. EN EL ARBITRAJE, NO ESTÁN PERMITIDAS LAS ACCIONES COLECTIVAS NI LOS JUICIOS CON JURADO. VEA A CONTINUACIÓN LA SECCIÓN "PROCEDIMIENTO PARA RESOLVER CONFLICTOS".**

En caso de que su campana LG ("Producto") presente alguna falla por defectos de materiales o de fabricación bajo uso apropiado y normal durante el período de garantía establecido más abajo, será reparada o reemplazada por LG, a su criterio. Esta garantía limitada es válida únicamente para el comprador final original del Producto ("Usted"), y para productos comprados legalmente y utilizados dentro de los Estados Unidos, incluidos los territorios de EE.UU.

Período de garantía	Alcance de la garantía
Dos (2) años a partir de la fecha original de compra	Piezas y mano de obra (solo piezas internas / funcionales)

- Los productos y las piezas de repuesto están garantizados durante el tiempo restante del período original de garantía o noventa (90) días, lo que resulte mayor.
- Los Productos y las piezas de repuesto pueden ser nuevos, reparados, reacondicionados, o reconstruidos por la fábrica.
- Los productos o las piezas reemplazadas serán propiedad de LG.
- Es necesario presentar prueba de la compra minorista especificando el modelo del Producto y la fecha de compra para obtener el servicio de garantía conforme a la presente garantía limitada.

**SALVO LO PROHIBIDO POR LA LEY, TODA GARANTÍA DE COMERCIALIZACIÓN O IDONEIDAD IMPLÍCITA, PARA UN PROPÓSITO PARTICULAR EN EL PRODUCTO, ESTÁ LIMITADA A LA DURACIÓN DE LA GARANTÍA ARRIBA EXPRESADA. BAJO NINGUNA CIRCUNSTANCIA DEBERÁ LG O SUS DISTRIBUIDORES/REPRESENTANTES SER RESPONSABLE POR CUALQUIER DAÑO INDIRECTO, INCIDENTAL, CONSECUENTE, ESPECIAL, O PUNITIVO, LO CUAL INCLUYE PERO NO SE LIMITA A, PÉRDIDA DE FONDOS DEL COMERCIO, GANANCIAS PERDIDAS, INTERRUPCIÓN DEL TRABAJO, DETERIORO DE OTROS BIENES, COSTO DE REMOVER Y REINSTALAR EL PRODUCTO, PÉRDIDA DE USO, O CUALQUIER OTRO DAÑO YA SEA BASADO EN CONTRATO, PERJUICIO, U OTROS. LA RESPONSABILIDAD TOTAL DE LG, EN CASO EXISTA, NO EXCEDERÁ EL PRECIO QUE USTED PAGÓ POR ADQUIRIR EL PRODUCTO.**

**ALGUNOS ESTADOS NO PERMITEN LA EXCLUSIÓN O LIMITACIÓN DE DAÑOS INCIDENTALES O EMERGENTES, O LIMITACIONES A LA DURACIÓN DE LA GARANTÍA IMPLÍCITA, POR LO QUE LA EXCLUSIONES O LIMITACIONES ANTERIORES PODRÍAN NO CORRESPONDER EN SU CASO. ESTA GARANTÍA LIMITADA LE OTORGA DERECHOS LEGALES ESPECÍFICOS, Y ES POSIBLE QUE USTED CUENTE CON OTROS DERECHOS, QUE VARÍAN SEGÚN EL ESTADO.**

**ESTA GARANTÍA LIMITADA NO CUBRE LO SIGUIENTE:**

- Viajes del servicio técnico para entregar, buscar o instalar el producto, instruir al cliente sobre la operación del mismo, corregir el cableado o las reparaciones/instalaciones no autorizadas.
- Daño o fallo del producto al operar durante fallas e interrupciones del suministro eléctrico, o resultado de un servicio eléctrico inadecuado.
- Daños o fallos del Producto causados por tuberías de agua rotas o con fugas, tuberías de agua congeladas, líneas de desagüe obstruidas, suministro de agua inadecuado o interrumpido, o suministro de aire inadecuado.

- Daños o fallos del Producto causados por operar el Producto en una atmósfera corrosiva o contraria a las instrucciones detalladas en el manual del usuario del Producto.
- Daños o fallos del producto causados por accidentes, pestes y alimañas, rayos, viento, incendio, inundaciones, hechos de fuerza mayor, o cualquier otra causa fuera del control de LG.
- Daños o fallos del Producto causados por modificaciones o alteraciones no autorizadas, o por utilizar el Producto para fines distintos de lo previsto, o pérdida de agua cuando el Producto no se instaló adecuadamente.
- Daños o fallos del Producto causados por corriente eléctrica o voltaje incorrectos, o códigos de cañería.
- Daños o fallos del Producto causados por el transporte, almacenamiento o manipulación, incluidos rayas, muescas, astillados u otros daños al acabado, a menos que tales defectos se informen en el plazo de una (1) semana a partir de la entrega.
- Daños o fallos del producto resultantes de mal uso, abuso, instalación, reparación o mantenimiento incorrectos. Una reparación incorrecta incluye el uso de piezas no autorizadas, aprobadas o especificadas por LG. La instalación o el mantenimiento inadecuados incluye aquellos contrarios a lo especificado en el manual del usuario del producto.
- Daños o fallos del Producto causados por el uso de piezas, componentes, accesorios, productos de limpieza consumibles, u otros productos o servicios no autorizados por LG.
- Daños o artículos faltantes con la caja abierta o que hayan estado en exhibición.
- Productos reacondicionados o cualquier producto vendido con los avisos "En el estado actual", "En el sitio actual", "Con todos sus defectos" o similares.
- Productos cuyos números de serie originales hayan sido retirados, alterados o no se puedan determinar fácilmente.
- Aumentos en los costos de los servicios públicos y otros gastos adicionales de dichos servicios.
- Cualquier ruido asociado con la operación normal.
- Productos utilizados de otra forma que no sea uso doméstico usual y normal (p. ej., uso comercial o industrial) o de forma contraria al manual del usuario del Producto.
- Costos asociados con la remoción y reinstalación del Producto para reparaciones o la remoción y reinstalación del Producto si está instalado en una ubicación inalcanzable o no está instalado de acuerdo con el Manual del propietario del producto.
- Accesorios, componentes extraíbles o partes consumibles (por ejemplo, estantes, compartimentos de la puerta, cajones, filtros de agua o aire, rejillas, bombillas, baterías, etc. según corresponda), excepto las partes internas/funcionales cubiertas por esta garantía limitada.

**El costo de reparación o reemplazo en estas circunstancias excluidas estará a cargo de Usted.**

PARA OBTENER SERVICIO EN GARANTÍA E INFORMACIÓN ADICIONAL

Llame al 1-800-243-0000 y seleccione la opción apropiada desde el menú.

O visite nuestro sitio web en <http://www.lg.com>

O por correo: LG Electronics Customer Service P.O. Box 240007 Huntsville, AL 35813 ATTN: CIC

## PROCEDIMIENTO PARA RESOLVER CONFLICTOS

TODOS LOS CONFLICTOS ENTRE USTED Y LG QUE SURJAN FUERA DE O RELACIONADOS DE ALGUNA MANERA CON ESTA GARANTÍA LIMITADA O CON EL PRODUCTO, SE RESOLVERÁN EXCLUSIVAMENTE A TRAVÉS DE UN ARBITRAJE VINCULANTE Y NO EN UNA CORTE DE JURISDICCIÓN GENERAL. ARBITRAJE VINCULANTE SIGNIFICA QUE USTED Y LG RENUNCIAN AL DERECHO DE UN JUICIO CON JURADO Y A REALIZAR O PARTICIPAR EN UNA DEMANDA COLECTIVA.

**Definiciones.** Para el propósito de esta sección, las referencias a "LG" significan: LG Electronics U.S.A., Inc., sus empresas matrices, subsidiarias y filiales y cada uno de sus directivos, directores, empleados, agentes, beneficiarios, predecesores en interés, sucesores, cesionarios y proveedores; las referencias a "conflicto" o "reclamación" incluirán cualquier conflicto, reclamo o controversia de cualquier tipo, sin importar (ya sea basado en contrato, agravio, estatuto, regulación, ordenanza, fraude, falsa representación o cualquier

## 16 GARANTÍA LIMITADA

teoría legal o equitativa) que surja de o esté relacionada con cualquier forma de venta, condición o desempeño del producto o de esta Garantía Limitada.

**Aviso de disputa.** En caso de que usted desee iniciar un procedimiento de arbitraje, primero debe notificar a LG por escrito al menos 30 días antes de iniciar el arbitraje enviando una carta a LG a LG Electronics, USA, Inc. Atención: Legal Department- Arbitration 111 Sylvan Avenue, Englewood Cliffs, NJ 07632 USA. Usted y LG aceptan participar en discusiones de buena fe en un intento de resolver su reclamo de manera amistosa. En la carta debe proporcionar su nombre, dirección y número de teléfono; identificar el producto que es objeto de la reclamación; y describir la naturaleza del reclamo y el remedio que busca. Si usted y LG no pueden resolver la disputa dentro de 30 días, cualquiera de las partes puede proceder a presentar una demanda de arbitraje.

**Acuerdo de arbitraje vinculante y renuncia de demanda colectiva.** En caso de no resolver la disputa durante el período de 30 días después de enviar una notificación por escrito a LG, Usted y LG se comprometen a resolver cualquier reclamo entre nosotros, solamente a través de arbitraje vinculante sobre una base individual, a menos que usted se excluya, conforme a lo dispuesto a continuación. Cualquier conflicto entre usted y LG no estarán combinados o consolidados con una controversia relacionada con cualquier otro producto o reclamo de otra persona o entidad. Más específicamente y sin perjuicio de lo anterior, no procederá bajo ninguna circunstancia cualquier disputa entre usted y LG como parte de una acción colectiva o representativa. En lugar del arbitraje, cualquiera de las partes podrá iniciar una acción individual en la corte de reclamos menores, pero tales acciones en la corte de reclamos menores no podrán ser realizadas en una acción colectiva o representativa.

**Normas y procedimientos de arbitraje.** Para comenzar con el arbitraje de un reclamo, usted o LG deben realizar una demanda escrita para arbitraje. El arbitraje será administrado por la Asociación Americana de Arbitraje (AAA) y se llevará a cabo ante un árbitro único bajo las Normas de Arbitraje del Consumidor de la AAA, que tienen efecto al momento de inicio del arbitraje (en adelante "Normas de la AAA") y bajo los procedimientos establecidos en esta sección. Las Normas de la AAA están disponibles en línea en [www.adr.org/consumer](http://www.adr.org/consumer). Envíe una copia de su solicitud de arbitraje por escrito, así como una copia de esta disposición, a la AAA de la forma descrita en las Normas de la AAA. También debe enviar una copia de su solicitud por escrito a LG en LG Electronics, USA, Inc. Atención: Legal Department- Arbitration 111 Sylvan Avenue, Englewood Cliffs, NJ 07632 USA. Si hay un conflicto entre las Normas de la AAA y las reglas establecidas en esta sección, prevalecerán dichas reglas de esta sección. Esta disposición de arbitraje se rige por la Ley Federal de Arbitraje. El juicio se puede introducir en el laudo arbitral en cualquier tribunal de jurisdicción competente. Todos son temas para que el árbitro tome sus decisiones, excepto aquellos asuntos relativos al alcance y aplicabilidad de la cláusula de arbitraje y de la capacidad de arbitraje de la controversia para que el tribunal decida. El árbitro se regirá por los términos de esta disposición.

**Legislación vigente.** La legislación del estado de su residencia regirá esta Garantía Limitada, así como todas las disputas entre nosotros, salvo que sea invalidada o inconsistente con leyes federales aplicables.

**Tarifas / Costos.** Usted no debe pagar ninguna tarifa para comenzar un arbitraje. Al recibir su solicitud de arbitraje por escrito, LG pagará todos los gastos administrativos rápidamente a la AAA, a menos que usted solicite más de \$25,000 por daños, en cuyo caso el pago de estos gastos se regirá por las Normas de la AAA. Salvo disposición contraria prevista en el presente documento, LG pagará a la AAA todos los gastos documentales, administrativos y de arbitraje para cualquier arbitraje iniciado, de conformidad con las Normas de la AAA y esta disposición de arbitraje. Si usted prevalece en el arbitraje, LG pagará los honorarios y gastos de sus abogados, siempre y cuando sean razonables, considerando factores que incluyen, entre otros, el monto de la compra y el monto del reclamo. No obstante lo anterior, si la ley aplicable permite una adjudicación de honorarios y gastos razonables de abogados, un árbitro puede otorgarlos en la misma medida que lo haría un tribunal. Si el árbitro considera que la sustancia de su reclamo o la reparación solicitada en la demanda es frívola o se utiliza para un propósito inadecuado (calificado según las normas establecidas en la Norma Federal de Procedimiento Civil 11 (b)), el pago de todos los honorarios de arbitraje se regirá por las Normas de la AAA. En tal situación usted se compromete a reembolsar a LG todos los fondos erogados previamente por ella, cuyo pago es, por otra parte, su obligación, según las Normas de la AAA. Salvo disposición contraria, LG renuncia a cualquier derecho que pudiera tener para solicitarle los honorarios y gastos de sus abogados, si LG prevalece en el arbitraje.

**Audiencias y ubicación.** Si su reclamo es por \$25,000 o menos, usted puede optar que el arbitraje sea realizado únicamente sobre la base de: (1) documentos presentados al árbitro, (2) a través de una audiencia telefónica o (3) por una audiencia en persona, según lo establecido por las Normas de la AAA. Si su reclamo excede \$25,000, el derecho a una audiencia estará determinado por las Normas de la AAA. Cualquier audiencia de arbitraje en persona se realizará en un lugar dentro del distrito judicial federal en

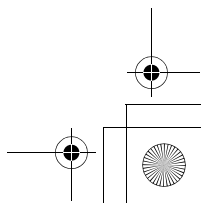
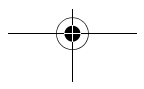
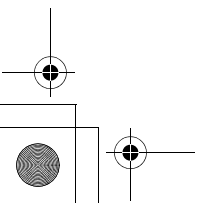
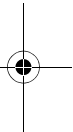
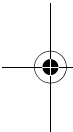
el cual resida, a menos que ambos acuerden otra ubicación o estemos de acuerdo con el arbitraje telefónico.

**Exclusión.** Usted puede quedarse fuera de este procedimiento de resolución de la disputa. Si se excluye, ni usted ni LG pueden solicitar al otro que participe en un procedimiento de arbitraje. Para excluirse usted debe enviar una notificación a LG, en un lapso de hasta 30 días continuos, contados a partir de la fecha de la primera compra del consumidor del producto, ya sea por: (i) el envío de un correo electrónico a [optout@lge.com](mailto:optout@lge.com) con el siguiente Asunto: "Exclusión del arbitraje" o (ii) llamada al 1-800-980-2973. Debe incluir en el correo electrónico de exclusión o suministrar por teléfono: (a) su nombre y dirección; (b) la fecha en la cual el producto fue comprado; (c) el nombre o el número del modelo del producto; y (d) el número del serial (el número del serial puede ser hallado (i) en el producto, o (ii) en la dirección de <https://www.lg.com/us/support/repair-service/schedule-repair-continued> al hacer clic en "Find My Model & Serial Number").

Sólo puede excluirse del procedimiento de resolución de conflictos en la forma descrita anteriormente (es decir, por correo electrónico o por teléfono); ninguna otra forma de notificación será efectiva para hacerlo. Excluirse de este procedimiento de resolución de controversias no afectará de ninguna manera la cobertura de la Garantía Limitada, por lo que usted continuará disfrutando de todos sus beneficios. Si conserva este producto y no se excluye, usted acepta todos los términos y condiciones de la cláusula de arbitraje descrita anteriormente.

# 18 Memorándum

---





Balayez le code QR pour consulter le manuel.



# MANUEL D'UTILISATION

# HOTTE

---

Veillez lire attentivement le présent manuel de l'utilisateur avant de faire fonctionner l'appareil et conservez-le à portée de la main pour le consulter en tout temps.

**FRANÇAIS**

LSHD3689BD LSHD3089BD LSHD3680\*\* LSHD3080\*\*

[www.lg.com](http://www.lg.com)

Copyright © 2017-2024 LG Electronics Inc. Tous droits réservés

2

---

## TABLE DES MATIÈRES

### 3 CONSIGNES DE SÉCURITÉ IMPORTANTES

---

- 3 LISEZ TOUTES LES CONSIGNES AVANT L'UTILISATION
- 3 MISES EN GARDE
- 5 MISES EN GARDE

### 6 APERÇU DU PRODUIT

---

- 6 Caractéristiques du produit

### 7 FONCTIONNEMENT

---

- 7 Panneau de commande

### 8 FONCTIONS INTELLIGENTES

---

- 8 Application LG ThinQ

### 11 ENTRETIEN

---

- 11 Soin et nettoyage

### 12 DÉPANNAGE

---

- 12 Avant d'appeler le réparateur

### 14 GARANTIE LIMITÉE

---

- 14 CANADA



# CONSIGNES DE SÉCURITÉ IMPORTANTES

## LISEZ TOUTES LES CONSIGNES AVANT L'UTILISATION

### Messages de sécurité

**Il est très important d'assurer votre sécurité et celle des autres.**

Nous fournissons de nombreux conseils de sécurité importants dans ce manuel et sur votre appareil. Lisez toujours l'ensemble des messages de sécurité et respectez-les.



Ceci est le symbole d'alerte de sécurité.

Ce symbole vous alerte de dangers potentiels qui peuvent causer la mort ou des blessures. Tous les messages de sécurité seront précédés du symbole d'alerte de sécurité et du terme AVERTISSEMENT ou MISE EN GARDE.

Voici le message que ces mots véhiculent :



#### AVERTISSEMENTS

Vous pouvez être tué ou gravement blessé si vous ne suivez pas les consignes.



#### MISES EN GARDE

Vous pouvez être légèrement blessé ou pouvez endommager le produit si vous ne suivez pas les consignes.

Tous les messages de sécurité vous indiqueront quel est le danger potentiel, comment réduire les risques de blessures et ce qui peut se produire en cas de non-respect des consignes.

VEUILLEZ LIRE ET CONSERVER CES INSTRUCTIONS

## MISES EN GARDE

### AVERTISSEMENT

- Pour réduire les risques d'explosion, d'incendie, de mort, de décharge électrique, de brûlure ou de blessures lors de l'utilisation de l'appareil, prenez les précautions élémentaires, y compris les suivantes :

### Installation

- Si vous avez reçu un produit endommagé, communiquez immédiatement avec votre détaillant ou le fabricant. N'installez pas et n'utilisez pas une hotte endommagée.
- Veillez à ce que votre hotte soit installée et mise à la terre par un installateur qualifié et conformément aux instructions d'installation. Demandez à l'installateur de vous montrer où se trouve le fusible ou la boîte de jonction afin que vous sachiez où et comment couper l'alimentation.
- N'installez pas, ne réparez pas et ne remplacez pas toute pièce de la hotte, à moins que cela ne soit expressément recommandé dans la documentation accompagnant l'appareil. Tous les autres travaux d'entretien doivent être réalisés par un technicien qualifié.
- Ne modifiez pas les commandes.
- Si la surface de cuisson et la hotte sont installées près d'une fenêtre, veillez à utiliser des garnitures de fenêtre appropriées. Évitez d'utiliser de longs rideaux ou d'autres couvre-fenêtres qui pourraient retomber sur la surface de cuisson et la hotte, car cela pourrait présenter un risque d'incendie.
- Le dégagement vertical minimal entre la surface de cuisson et la partie extérieure de la hotte doit être supérieur à 26 po (66 cm). Le dégagement vertical requis pourrait être plus long en fonction de la cuisinière ou de la surface de cuisson. Consultez les directives d'installation de la cuisinière ou de la surface de cuisson pour connaître le dégagement vertical minimal requis.
- Ne pas installer dans un mur classé résistant au feu.

## 4 CONSIGNES DE SÉCURITÉ IMPORTANTES

---

- Afin de réduire le risque d'incendie ou de décharge électrique, n'utilisez pas ce ventilateur avec un régulateur de vitesse à semi-conducteurs.

### FONCTIONNEMENT

- Pour éviter les risques d'explosion ou d'incendie, n'entrez pas de substances ou de liquides combustibles, inflammables ou explosifs (comme de l'essence) à l'intérieur ou à proximité de cet appareil ou de tout autre appareil. Veillez également à conserver les objets qui pourraient exploser, comme des bombes aérosol, loin des brûleurs sur la surface de cuisson, des fours et des hottes. Ne conservez pas de matières inflammables ou explosives dans des armoires ou des zones adjacentes.
- **POUR RÉDUIRE LES RISQUES D'INCENDIE, DE DÉCHARGE ÉLECTRIQUE ET DE BLESSURES, RESPECTEZ LES PRÉCAUTIONS SUIVANTES :**
  - N'utilisez cet appareil que pour l'usage prévu par le fabricant. Si vous avez des questions, communiquez avec le fabricant.
  - Avant d'entretenir ou de nettoyer l'appareil, coupez l'alimentation dans le panneau de service et verrouillez la porte du panneau de service pour empêcher l'activation accidentelle de l'alimentation. Lorsque la porte du panneau de service ne peut pas être verrouillée, apposez-y un dispositif d'avertissement visible, comme une étiquette.
- Utilisez la hotte uniquement pour l'usage prévu et décrit dans ce manuel. N'utilisez PAS cette hotte pour évacuer des vapeurs ou des substances dangereuses ou explosives. Si vous avez des questions, communiquez avec le fabricant.
- Ne laissez jamais les filtres se bloquer ou se boucher. Veillez à ce que des objets étrangers, comme des cigarettes ou des serviettes de papier, ne se retrouvent pas aspirés par la hotte.
- Activez toujours le ventilateur lorsque la surface de cuisson fonctionne.
- Ne laissez pas des enfants seuls ou sans surveillance près de la surface de cuisson et de la hotte lorsque celles-ci fonctionnent. Ne laissez jamais un enfant s'asseoir ou se tenir debout sur un appareil. Ne laissez pas les enfants jouer avec une cuisinière, une surface de cuisson ou une hotte. Ne rangez pas des objets pouvant intéresser les enfants au-dessus ou près de la surface de cuisson, de la cuisinière ou de la hotte.
- Pour éviter les risques d'explosion ou d'incendie, n'entrez pas de substances ou de liquides combustibles, inflammables ou explosifs (comme de l'essence) à l'intérieur ou à proximité de cet appareil ou de tout autre appareil. Veillez également à conserver les objets qui pourraient exploser, comme des bombes aérosol, loin des brûleurs sur la surface de cuisson, des fours et des hottes. Ne conservez pas de matières inflammables ou explosives dans des armoires ou des zones adjacentes.
- Pour réduire le risque d'incendie en raison d'une accumulation de graisse dans la hotte :
  - Ne laissez jamais un élément de surface réglé à feu vif sans surveillance. Les débordements causent de la fumée et des dépôts de graisse qui peuvent s'enflammer. Faites chauffer l'huile lentement, à feu doux ou moyen.
  - Activez toujours la hotte lorsque vous cuisinez à feu vif ou lorsque vous faites flamber des aliments (p. ex. crêpes Suzette, cerises jubilé, flambé de bœuf au poivre).
  - Nettoyez les ventilateurs d'aspiration fréquemment. Vous ne devez pas laisser la graisse s'accumuler sur la hotte ou sur le filtre.
  - Utilisez toujours une casserole ou une poêle convenant à la taille des éléments de la surface de cuisson.
- **POUR RÉDUIRE LE RISQUE DE BLESSURES EN CAS D'INCENDIE CAUSÉ PAR DE LA GRAISSE SUR LA SURFACE DE CUISSON :**
  - **ÉTOUFFEZ LES FLAMMES** à l'aide d'un couvercle étanche, d'une plaque à biscuits ou d'un plateau en métal, puis éteignez le brûleur. **VEILLES À NE PAS VOUS BRÛLER.** Si les flammes ne s'éteignent pas sur-le-champ, **ÉVACUEZ LE BÂTIMENT ET APPELEZ LE SERVICE D'INCENDIE.**
  - **NE TOUCHEZ JAMAIS À UNE CASSEROLE EN FEU** – vous pourriez vous brûler.
  - **N'UTILISEZ PAS D'EAU**, y compris des chiffons et des serviettes humides, car cela pourrait causer une violente explosion de vapeur.
  - Utilisez un extincteur **UNIQUEMENT** si :

- vous possédez un extincteur de type ABC et savez déjà comment l'utiliser;  
l'incendie est moindre et confiné à la zone où il s'est déclaré;  
vous avez appelé le service d'incendie;  
vous pouvez combattre les flammes en faisant dos à une sortie.
- POUR RÉDUIRE LES RISQUES D'INCENDIE, DE DÉCHARGE ÉLECTRIQUE ET DE BLESSURES, RESPECTEZ LES PRÉCAUTIONS SUIVANTES :
    - N'utilisez cet appareil que pour l'usage prévu par le fabricant. Si vous avez des questions, communiquez avec le fabricant.
  - CE VENTILATEUR N'EST PAS UN JOUET!
  - AFIN DE RÉDUIRE LE RISQUE DE BLESSURE ET DE DÉCHARGE ÉLECTRIQUE, IL NE FAUT PAS JOUER AVEC L'APPAREIL NI LE PLACER DANS UN ENDROIT OÙ DE JEUNES ENFANTS PEUVENT L'ATTEINDRE.
  - Ne faites pas fonctionner un ventilateur dont le cordon ou la fiche est endommagé. Mettez le ventilateur au rebut ou retournez-le dans un centre de service agréé pour examen ou réparation.
  - Ne faites pas passer le cordon sous la moquette. Ne recouvrez pas le cordon avec des carpettes, des tapis ou d'autres revêtements similaires. Ne faites pas passer le cordon sous des meubles ou des appareils. Placez le cordon à l'écart des zones de circulation et à un endroit où l'on ne risque pas de trébucher dessus.

## Entretien

- Pour éviter tout risque de décharge électrique lors de l'entretien de la hotte, coupez l'alimentation en retirant le fusible ou en désactivant la boîte de jonction, puis verrouillez la porte du panneau électrique pour empêcher l'activation accidentelle de l'alimentation. Lorsque le panneau électrique ne peut pas être verrouillé, apposez-y un dispositif d'avertissement visible, comme une étiquette.
- Pour éviter tout risque de décharge électrique, coupez l'alimentation principale avant de nettoyer la hotte.
- POUR RÉDUIRE LES RISQUES D'INCENDIE, DE DÉCHARGE ÉLECTRIQUE ET DE BLESSURES, RESPECTEZ LES PRÉCAUTIONS SUIVANTES :
  - Lors de l'entretien ou du nettoyage du produit, coupez l'alimentation dans le panneau de service et verrouillez la porte du panneau de service pour empêcher l'activation accidentelle de l'alimentation. Lorsque la porte du panneau de service ne peut pas être verrouillée, apposez-y un dispositif d'avertissement visible, comme une étiquette.

## MISES EN GARDE

### MISE EN GARDE

- Pour réduire les risques de blessures mineures, de pannes ou de dommages causés à l'appareil ou à la propriété lors de l'utilisation de l'appareil, prenez les précautions élémentaires, y compris les suivantes :

## FONCTIONNEMENT

- À des fins de ventilation générale seulement. N'utilisez PAS cet appareil pour évacuer des vapeurs ou des substances dangereuses ou explosives.

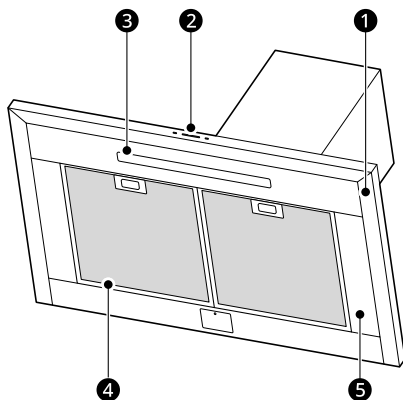
# GARDEZ CES CONSIGNES

## 6 APERÇU DU PRODUIT

# APERÇU DU PRODUIT

## Caractéristiques du produit

### Pièces



- ❶ Hotte
- ❷ Panneau de commande
- ❸ Cordon lumineux à DEL
- ❹ Filtre à mailles
- ❺ Panneau latéral (uniquement pour LSHD3689BD, LSHD3680\*\*)

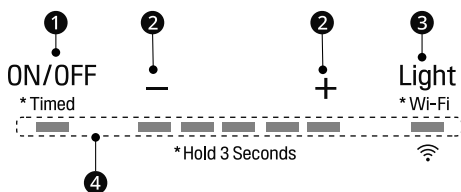
### Caractéristiques du produit

Modèle	LSHD3689BD LSHD3680**	LSHD3089BD LSHD3080**
Largeur	36 po	30 po
Filtre	2 ch.	
Éclairage	1 ch. (cordon lumineux à DEL)	

# FONCTIONNEMENT

## Panneau de commande

### Caractéristiques du panneau de commande



- ❶ Bouton **Power/Delay Off** (mise en marche/ mise hors tension différée)

#### Fonction du bouton de mise en marche

- Appuyez sur ce bouton pour mettre en marche ou hors tension toute la hotte (ventilateur et éclairage).
- Les derniers réglages de vitesse et d'éclairage sont gardés en mémoire lorsque la hotte est mise hors tension.

#### Fonction du bouton de mise hors tension différée

- Appuyez sur ce bouton pendant trois secondes lorsque le ventilateur est en marche. La vitesse du ventilateur passe alors au niveau 1, et la minuterie de mise hors tension de cinq minutes démarre.

L'éclairage à DEL s'allume et clignote lentement en fonction du temps restant. Une fois la minuterie écoulée, le ventilateur et la lumière s'éteignent automatiquement.

Si vous appuyez sur le bouton alors que la fonction de mise hors tension différée est activée, la hotte s'éteint, et la fonction de mise hors tension différée est annulée.



- ❷ Bouton **Speed Selection** (sélection de la vitesse)

#### Bouton de réduction de la vitesse du ventilateur (-)

- Appuyez sur ce bouton pour réduire la vitesse du ventilateur du niveau 5 au niveau 1.

- Pour éteindre le ventilateur, appuyez sur ce bouton lorsque la vitesse du ventilateur est au niveau 1.

#### Bouton d'augmentation de la vitesse du ventilateur (+)

- Appuyez sur ce bouton pour augmenter la vitesse du ventilateur du niveau 1 au niveau 5.
- Lorsque la hotte est éteinte, appuyez sur ce bouton pour mettre le ventilateur en marche au niveau 1.

- ❸ Bouton **Light** (éclairage)

- Il y a deux niveaux d'éclairage : élevé et faible.
- Ce bouton fait basculer l'éclairage entre élevé, faible et éteint, dans l'ordre.
- Appuyez sur ce bouton pendant trois secondes pour connecter l'appareil au réseau Wi-Fi domestique. Pour en savoir plus, consultez la section **FONCTIONS INTELLIGENTES**.

- ❹ Indicateurs

#### Rappel de nettoyage des filtres à mailles (toujours activé)

- Après 30 heures d'utilisation du ventilateur, les indicateurs se mettent à clignoter lentement pour indiquer qu'il est temps de nettoyer les filtres à mailles.
- Pour réinitialiser l'indicateur de rappel de nettoyage des filtres à mailles, appuyez sur le bouton - ❷ pendant trois secondes. Tous les indicateurs à DEL clignoteront deux fois pour confirmer que la minuterie de 30 heures a été réinitialisée.

## 8 FONCTIONS INTELLIGENTES

# FONCTIONS INTELLIGENTES

## Application LG ThinQ

Cette fonction n'est offerte que sur les modèles dotés du Wi-Fi.

L'application **LG ThinQ** vous permet de communiquer avec l'appareil à l'aide d'un téléphone intelligent.

### Caractéristiques de l'application LG ThinQ

#### • Paramètres

- Cette fonction permet de régler la vitesse du ventilateur de la hotte à partir de l'application.

#### • Suivi

- Cette fonction permet de vérifier l'état actuel de la hotte.

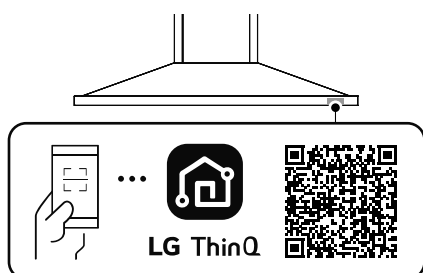
### REMARQUE

- Si vous changez de routeur sans fil, fournisseur de services Internet ou mot de passe, supprimez l'appareil connecté à l'application **LG ThinQ** et reconnectez-le.
- Pour déconnecter l'appareil du réseau **Wi-Fi**, supprimez la hotte de la liste des produits connectés dans l'application **LG ThinQ**.
- Cette information est à jour au moment de la publication. L'application est sujette à des modifications à des fins d'amélioration du produit, et ce, sans que l'utilisateur en soit préalablement avisé.

## Installation de l'application LG ThinQ et connexion d'un appareil de LG

### Modèles avec un code QR

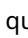
Balayez le code QR ci-joint au produit en utilisant l'appareil photo ou un lecteur de codes QR sur votre téléphone intelligent.



### Modèles sans code QR

- 1 À partir d'un téléphone intelligent, cherchez l'application **LG ThinQ** dans la boutique Google Play ou l'App Store d'Apple.
- 2 Lancez l'application **LG ThinQ**, connectez-vous à votre compte, ou créez un compte LG.
- 3 Appuyez sur le bouton Ajouter (+) sur l'application **LG ThinQ** pour connecter votre appareil de LG. Suivez les instructions de l'application pour terminer le processus.

### REMARQUE

- Pour vérifier la connexion Wi-Fi, assurez-vous que l'icône  située sur le panneau de commande est allumée.
- L'appareil prend seulement en charge les réseaux Wi-Fi de 2,4 GHz. Pour vérifier la fréquence de votre réseau, contactez votre fournisseur de services Internet ou reportez-vous au manuel de votre routeur sans fil.
- **LG ThinQ** n'est pas responsable des problèmes de connexion au réseau ou des défauts, dysfonctionnements ou erreurs causés par la connexion au réseau.
- L'environnement sans fil peut causer un ralentissement du fonctionnement du réseau sans fil.
- S'il y a une trop grande distance entre l'appareil et le routeur sans fil, l'intensité du signal s'affaiblit. La connexion peut prendre du temps, ou l'installation de l'application peut échouer.
- Si l'appareil a des difficultés à se connecter au réseau Wi-Fi, il est peut-être trop loin du routeur. Procurez-vous un répéteur Wi-Fi (rallonge de portée) pour améliorer la force du signal Wi-Fi.
- La connexion réseau peut ne pas fonctionner correctement selon le fournisseur de services Internet.
- La connexion Wi-Fi peut ne pas se faire ou être interrompue à cause de l'environnement du réseau domestique.
- Si l'appareil ne peut pas se connecter en raison de problèmes avec la transmission du signal sans fil, débranchez l'appareil et attendez environ une minute avant de réessayer.

- Si le pare-feu de votre routeur sans fil est activé, désactivez-le ou ajoutez-y une exception.
- Le nom du réseau sans fil (SSID) doit être une combinaison de lettres et de chiffres anglais. (N'utilisez pas de caractères spéciaux.)
- L'interface utilisateur (IU) du téléphone intelligent peut varier en fonction du système d'exploitation (SE) mobile et du fabricant.
- Si le protocole de sécurité du routeur est configuré sur **WEP**, la configuration du réseau peut échouer. Veuillez changer le protocole de sécurité (nous recommandons **WPA2**) et connectez le produit de nouveau.

Cet appareil est conforme à la partie 15 du règlement de la FCC. Le fonctionnement est soumis aux deux conditions suivantes :

- (1) L'appareil ne doit pas produire de brouillage; et
- (2) L'appareil doit accepter tout brouillage radioélectrique subi, même si le brouillage est susceptible d'en compromettre le fonctionnement.

Tout changement ou toute modification apportés à cet appareil et qui ne sont pas approuvés de manière explicite par le fabricant sont susceptibles d'annuler l'autorité de l'utilisateur quant à utiliser l'appareil.

## Caractéristiques du module LAN sans fil

<b>Gamme de fréquences</b>	2412 MHz - 2462 MHz
<b>Puissance de sortie (Max.)</b>	< 30 dBm

## Avis de la FCC

L'avis suivant couvre le module de transmetteur se trouvant dans le produit.

Cet équipement a été testé et jugé conforme aux limites d'un appareil numérique de classe B, conformément à la partie 15 des règles de la FCC. Ces limites sont établies pour fournir une protection raisonnable contre les interférences nuisibles dans une installation résidentielle. Cet équipement produit, utilise et peut émettre de l'énergie radioélectrique et, s'il n'est pas installé et utilisé conformément aux présentes instructions, peut causer des interférences nuisibles aux communications radio. Quoiqu'il en soit, on ne peut pas garantir que des interférences ne se produiront pas dans certaines installations. Si cet appareil cause des interférences nuisibles à la réception des signaux de radio ou de télévision, ce qui peut être déterminé en allumant et en éteignant l'appareil, on encourage l'utilisateur à essayer de corriger ces interférences par l'un des moyens suivants :

- Réorientez ou déplacez l'antenne de réception.
- Augmentez la distance séparant l'équipement du récepteur.
- Branchez l'appareil sur un circuit électrique différent de celui où le récepteur est branché.
- Contactez votre revendeur ou un technicien radio/télévision expérimenté.

## Énoncé FCC sur l'exposition aux radiations RF

Cet équipement est conforme aux limites de radiation de la FCC définies pour un environnement non contrôlé. Cet appareil et sa ou ses antennes ne doivent pas être colocalisés ou opérés en conjonction avec tout autre antenne ou transmetteur.

Cet appareil doit être installé et utilisé de façon à maintenir une distance minimale de 20 cm (7,8 po) entre l'antenne et l'utilisateur. Les utilisateurs doivent respecter les directives d'utilisation afin de satisfaire aux critères en matière d'exposition aux rayonnements RF.

## Avis d'Industrie Canada

L'émetteur/récepteur exempt de licence contenu dans le présent appareil est conforme aux CNR d'Innovation, Sciences et Développement économique Canada applicables aux appareils radio exempts de licence. L'exploitation est autorisée aux deux conditions suivantes:

- (1) Cet appareil ne doit pas provoquer d'interférences
- (2) Cet appareil doit accepter toutes les interférences, y compris celles pouvant entraîner son dysfonctionnement.

## Énoncé d'IC concernant l'exposition à la radiation

Cet appareil est conforme aux limites d'exposition aux rayonnements d'Industrie Canada pour un environnement non contrôlé.

Cet appareil doit être installé et utilisé de façon à garder une distance minimale de 20 cm (7,8 pouces) entre la source de rayonnement et votre corps.

## 10 FONCTIONS INTELLIGENTES

---

### REMARQUE

- LE FABRICANT N'EST PAS RESPONSABLE DES INTERFÉRENCES RADIOÉLECTRIQUES CAUSÉES PAR DES MODIFICATIONS NON AUTORISÉES APPORTÉES À CET APPAREIL. DE TELLES MODIFICATIONS POURRAIENT ANNULER L'AUTORISATION ACCORDÉE À L'UTILISATEUR DE FAIRE FONCTIONNER L'APPAREIL.

### Renseignements sur l'avis de logiciel libre

Pour obtenir le code source conformément aux dispositions de la licence publique générale, de la licence publique générale limitée, de la licence publique Mozilla et de toute autre licence régissant les logiciels à code source libre contenus dans ce produit et exigeant la divulgation du code source, visitez le site <https://opensource.lge.com>. En plus du code source, toutes les dispositions de licence, les avis de droits d'auteurs et autres documents pertinents peuvent aussi être consultés.

LG Electronics mettra également à votre disposition le code source libre sur CD-ROM pour un prix couvrant le coût de la distribution (coût du support, de l'expédition et de la manutention) sur simple demande par courriel à l'adresse [opensource@lge.com](mailto:opensource@lge.com).

Cette offre est valable pour une période de trois ans après notre dernière expédition de ce produit et s'applique à toute personne ayant reçu ces renseignements.



# ENTRETIEN

## Soin et nettoyage

### Entretien de la surface

Nettoyez périodiquement la surface de la hotte avec de l'eau chaude savonneuse et un chiffon en coton propre. N'utilisez pas de détergent corrosif ou abrasif ni de laine d'acier ou de tampon à récureur qui pourraient rayer et endommager la surface. N'utilisez pas de javellisant au chlore ou de nettoyant concentré aux agrumes.

Pour la saleté plus tenace, utilisez un dégraissant liquide.

Après le nettoyage, vous pouvez utiliser un produit de polissage ou un nettoyant non abrasif pour redonner son lustre à l'acier inoxydable. À l'aide d'un chiffon en microfibre ou en coton propre, frottez légèrement dans le sens des lignes de l'acier inoxydable brossé.

### Filtres à mailles en aluminium

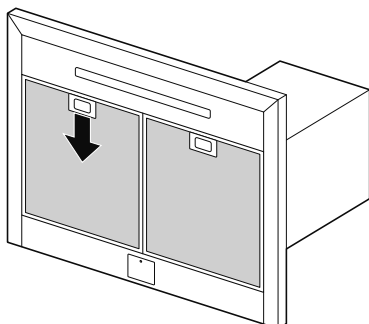
Les filtres à mailles en aluminium installés en usine sont destinés à filtrer les résidus et les graisses de cuisson. Il n'est pas nécessaire de les remplacer régulièrement, pourvu qu'ils soient propres.

Retirez et nettoyez les filtres à la main ou au lave-vaisselle à faible température. Si les filtres sont très sales, vaporisez-les avec un détergent dégraissant et laissez-les tremper.

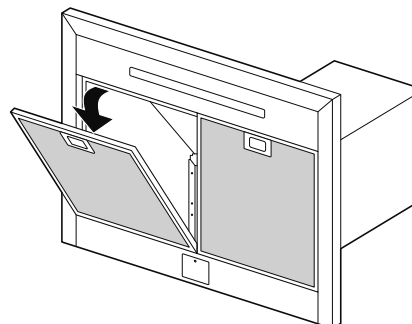
Faites sécher les filtres et réinstallez-les avant d'utiliser la hotte.

### Retirer les filtres à mailles

- 1 Poussez la poignée qui se trouve sur le filtre vers l'arrière de la hotte.



- 2 Faites pivoter l'avant du filtre vers le bas, puis tirez le filtre vers l'avant pour le retirer.



- Pour remonter le filtre, insérez d'abord l'arrière du filtre, puis soulevez le filtre pour le mettre en place.

### Vérification du niveau de CFM maximum

- 1 Lorsque la hotte est éteinte, appuyez sur le bouton d'alimentation et maintenez-le enfoncé pendant trois secondes. Les voyants s'allument pour indiquer le niveau maximum de CFM de la hotte.
  - 5 voyants lumineux: CFM max. par défaut (600)
  - 4 voyants lumineux: 390 CFM max.
  - 3 voyants lumineux: 290 CFM max.
- 2 Le nombre de réglages de la vitesse du ventilateur dépend du réglage du CFM maximum.
  - 390 CFM = max. 4 vitesses et 290 CFM = max. 3 vitesses

## 12 DÉPANNAGE

# DÉPANNAGE

## Avant d'appeler le réparateur

### Pièces et fonctionnalités

Symptômes	Causes possibles et solutions
L'appareil ne fonctionne pas après son installation.	<b>La source d'alimentation n'est pas allumée.</b> <ul style="list-style-type: none"> <li>Vérifiez que le disjoncteur et l'appareil sont sous tension.</li> </ul>
	<b>Le cordon d'alimentation et le connecteur de verrouillage du câble ne sont pas correctement branchés.</b> <ul style="list-style-type: none"> <li>Vérifiez que le cordon d'alimentation est correctement connecté à l'appareil.</li> </ul>
L'éclairage fonctionne, mais le ventilateur ne fonctionne pas.	<b>Le système de protection thermique détecte si le ventilateur est trop chaud. Le cas échéant, il empêche le ventilateur de fonctionner.</b> <ul style="list-style-type: none"> <li>Le ventilateur fonctionnera correctement une fois que le système de protection thermique aura refroidi.</li> </ul>
L'appareil vibre.	<b>Le ventilateur n'est pas bien en place.</b> <ul style="list-style-type: none"> <li>Serrez les vis qui maintiennent le ventilateur en place.</li> </ul>
	<b>Roue du ventilateur endommagée</b> <ul style="list-style-type: none"> <li>Appeler le service.</li> </ul>
	<b>L'appareil n'est pas bien en place.</b> <ul style="list-style-type: none"> <li>Vérifiez l'installation de la hotte.</li> </ul>
Le ventilateur fonctionne, mais l'éclairage ne fonctionne pas.	<b>Le connecteur de l'éclairage à DEL est déconnecté ou l'éclairage à DEL est défectueux.</b> <ul style="list-style-type: none"> <li>Appeler le service.</li> </ul>
Les niveaux de vitesse du ventilateur semblent être tous les mêmes.	<b>Utilisation de conduits de mauvaises tailles</b> <ul style="list-style-type: none"> <li>Utilisez des conduits d'au moins 8 po de diamètre ou 3 1/4 x 10 po pour un ventilateur simple ou de 10 po de diamètre pour un ventilateur double.</li> </ul>
La hotte n'évacue pas correctement l'air.	<b>La hotte est peut-être installée trop loin au-dessus de la surface de cuisson.</b> <ul style="list-style-type: none"> <li>Installez la hotte entre 26 po et 36 po au-dessus de la cuisinière.</li> </ul>
	<b>Le vent provenant des fenêtres ou des portes ouvertes dans les environs affecte la ventilation de la hotte.</b> <ul style="list-style-type: none"> <li>Fermez toutes les fenêtres et les portes pour éliminer les courants d'air extérieurs.</li> </ul>
	<b>Obstruction dans le conduit ou dans l'ouverture du conduit</b> <ul style="list-style-type: none"> <li>Dégagez tout blocage dans le conduit ou dans l'ouverture du conduit.</li> </ul>
	<b>La direction de l'ouverture du conduit fait face au vent.</b> <ul style="list-style-type: none"> <li>Ajustez la direction de l'ouverture du conduit.</li> </ul>
	<b>Utilisation de conduits de mauvaises tailles</b> <ul style="list-style-type: none"> <li>Changez la taille des conduits.</li> </ul>
Le filtre à mailles vibre.	<b>Le filtre à mailles est lâche.</b> <ul style="list-style-type: none"> <li>Remplacez le filtre en métal.</li> </ul>

Symptômes	Causes possibles et solutions
L'appareil se met en marche par lui-même.	<p><b>Une source lumineuse éclaire directement les commandes de l'interrupteur.</b></p> <ul style="list-style-type: none"> <li>Les interrupteurs sont photosensibles. Une source lumineuse qui éclairerait directement les interrupteurs pourrait perturber le fonctionnement normal de ceux-ci.</li> </ul>

## Wi-Fi

Symptômes	Causes possibles et solutions
L'appareil et le téléphone intelligent n'arrivent pas à se connecter au réseau Wi-Fi.	<p><b>Le mot de passe du réseau Wi-Fi a été saisi de manière incorrecte.</b></p> <ul style="list-style-type: none"> <li>Supprimez votre réseau Wi-Fi domestique et recommencez le processus de connexion.</li> </ul>
	<p><b>Les Données mobiles de votre téléphone intelligent sont activées.</b></p> <ul style="list-style-type: none"> <li>Désactivez les <b>données mobiles</b> de votre téléphone intelligent avant de connecter l'appareil.</li> </ul>
	<p><b>Le nom du réseau sans fil (SSID) est erroné.</b></p> <ul style="list-style-type: none"> <li>Le nom du réseau sans fil (SSID) doit être une combinaison de lettres et de chiffres anglais. (N'utilisez pas de caractères spéciaux.)</li> </ul>
	<p><b>La fréquence du routeur n'est pas de 2,4 GHz.</b></p> <ul style="list-style-type: none"> <li>Seule une fréquence de routeur de 2,4 GHz est prise en charge. Réglez le routeur sans fil à 2,4 GHz et connectez-y l'appareil. Pour connaître la fréquence du routeur, informez-vous auprès de votre fournisseur de services Internet ou du fabricant du routeur.</li> </ul>
	<p><b>L'appareil et le routeur sont trop éloignés l'un de l'autre.</b></p> <ul style="list-style-type: none"> <li>Si la distance entre l'appareil et le routeur est trop grande, le signal peut être faible et la connexion peut ne pas être configurée correctement. Déplacez le routeur afin qu'il soit plus près de l'appareil ou achetez et installez un répéteur Wi-Fi.</li> </ul>
	<p><b>Pendant la configuration du Wi-Fi, l'application demande un mot de passe pour se connecter au produit (sur certains téléphones).</b></p> <ul style="list-style-type: none"> <li>Localisez le nom du réseau qui commence par « LG » sous Paramètres &gt; Réseaux. Notez la dernière partie du nom du réseau. <ul style="list-style-type: none"> <li>Si le nom du réseau ressemble à LGE_Appliance_XX-XX-XX, saisissez lge12345.</li> <li>Si le nom du réseau ressemble à LGE_Appliance_XXXX, saisissez XXXX deux fois à titre de mot de passe. Par exemple, si le nom du réseau est LGE_Appliance_8b92, vous devez saisir 8b928b92 à titre de mot de passe. Dans ce cas, le mot de passe est sensible à la casse et les quatre derniers caractères sont uniques à votre appareil.</li> </ul> </li> </ul>

## 14 GARANTIE LIMITÉE

**GARANTIE LIMITÉE****CANADA****CONDITIONS**

**AVIS D'ARBITRAGE : LA PRÉSENTE GARANTIE LIMITÉE CONTIENT UNE DISPOSITION SUR L'ARBITRAGE QUI EXIGE QUE LE RÈGLEMENT DES DIFFÉRENDS ENTRE VOUS ET LG S'EFFECTUE PAR ARBITRAGE EXÉCUTOIRE PLUTÔT QUE DEVANT UN TRIBUNAL, À MOINS QUE LES LOIS DE VOTRE PROVINCE OU TERRITOIRE L'INTERDISSENT OU QUE, DANS UN AUTRE TERRITOIRE DE COMPÉTENCE, VOUS VOUS PRÉVALIEZ D'UNE OPTION DE RETRAIT. LES RECOURS COLLECTIFS ET LES PROCÈS DEVANT JURY NE SONT PAS AUTORISÉS PAR LE PROCESSUS D'ARBITRAGE. VEUILLEZ VOUS RÉFÉRER CI-DESSOUS À L'ARTICLE « PROCÉDURE DE RÈGLEMENT DE DIFFÉREND ».**

Si votre hotte LG (« produit ») tombe en panne en raison d'un défaut de matériaux ou de fabrication dans le cadre d'une utilisation normale et adéquate, pendant la période de garantie indiquée ci-dessous, LG Electronics Canada, Inc. (« LGECI ») réparera ou remplacera le produit, à sa discrétion, sur réception d'une preuve de l'achat au détail initial. Cette garantie limitée n'est valide que pour l'acheteur au détail original du produit et ne s'applique qu'à un produit distribué, acheté et utilisé au Canada, tel que déterminé à la seule discrétion de LGECI.

<b>PÉRIODE DE GARANTIE: (Remarque : Dans le cas où la date d'achat initial ne peut pas être vérifiée, la garantie commence soixante (60) jours après la date de fabrication.)</b>	
<b>Période de garantie</b>	<b>Portée de la garantie</b>
Deux (2) ans après la date d'achat original de l'appareil.	Pièces et main-d'œuvre (pièces internes et fonctionnelles uniquement)

- Les produits et pièces de remplacement sont garantis pour la portion restante de la période de garantie originale ou quatre-vingt-dix (90) jours, selon la période la plus longue.
- Les produits et pièces de remplacement peuvent être neufs ou remis à neuf.
- Une preuve de l'achat original détaillant le modèle du produit et la date d'achat est exigée pour obtenir le service de garantie en vertu de cette garantie limitée.

**LA RESPONSABILITÉ DE LGECI EST LIMITÉE À LA GARANTIE LIMITÉE EXPRIMÉE CI-DESSUS. SAUF TEL QU'EXPRESSÉMENT FOURNI CI-DESSUS, LGECI DÉCLINE TOUTE AUTRE GARANTIE ET CONDITION CONCERNANT LE PRODUIT, EXPLICITE OU IMPLICITE, Y COMPRIS, MAIS SANS S'Y LIMITER, TOUTE GARANTIE IMPLICITE OU CONDITION DE QUALITÉ MARCHANDE OU D'ADAPTATION À UN USAGE PARTICULIER, ET AUCUNE REPRÉSENTATION NE SERA LIÉE À LGECI. LGECI N'AUTORISE AUCUNE PERSONNE À CRÉER OU ENSOSSER À SA PLACE QUELCONQUE AUTRE OBLIGATION DE GARANTIE OU RESPONSABILITÉ RELATIVE AU PRODUIT. DANS LA MESURE OÙ TOUTE GARANTIE OU CONDITION EST IMPLICITE PAR LA LOI, ELLE EST LIMITÉE À LA PÉRIODE DE GARANTIE DÉCLARÉE CI-DESSUS. EN AUCUN CAS, LGECI, LE FABRICANT OU LE DISTRIBUTEUR DU PRODUIT, NE SERA TENU RESPONSABLE DE TOUT DOMMAGE ACCESSOIRE, CONSÉCUTIF, SPÉCIAL, DIRECT, INDIRECT, PUNITIF OU EXEMPLAIRE, Y COMPRIS, SANS LIMITATION, LA PERTE DE COTE D'ESTIME, PERTE DE PROFITS, PERTE DE PROFITS ANTICIPÉS, PERTE DE REVENUS, PERTE D'UTILISATION OU DE TOUT AUTRE DOMMAGE, QU'IL SOIT PROVENU DIRECTEMENT OU INDIRECTEMENT DE TOUTE INFRACTION CONTRACTUELLE, VIOLATION FONDAMENTALE, DÉLICTEUELLE OU AUTRE, OU DE TOUT ACTE OU OMISSION. LA RESPONSABILITÉ TOTALE DE LGECI, S'IL EN EST, N'OUTREPASSERA PAS LE PRIX D'ACHAT PAYÉ PAR VOUS POUR LE PRODUIT.**

Cette garantie limitée vous donne des droits légaux spécifiques. Vous pouvez également avoir d'autres droits qui varient d'une province à l'autre selon les lois provinciales applicables. Tout terme de cette Garantie limitée qui nie ou modifie toute condition ou garantie implicite en vertu de la loi provinciale est divisible lorsqu'elle est en conflit avec cette loi provinciale sans affecter le reste des termes de cette garantie.

## LA PRÉSENTE GARANTIE LIMITÉE NE COUVRE PAS CE QUI SUIT :

- Tout déplacement du technicien pour : i) livrer, reprendre, installer ou; éduquer comment utiliser le Produit; ii) corriger le câblage ou plomberie; ou iii) rectifier toute réparation ou installation non-autorisée du Produit;
- Dommage ou panne du Produit à performer lors de panne de courant et service électrique inadéquat ou interrompu;
- Dommage ou panne en raison de tuyaux d'eau brisés ou dont l'eau fuit, conduite d'eau gelée, conduite de récupération obstruée, approvisionnement d'eau inadéquat ou interrompu ou ravitaillement d'air inadéquat;
- Dommage ou panne résultant de l'utilisation du Produit dans un environnement corrosif ou contraire aux instructions détaillées dans le manuel d'utilisation du Produit;
- Dommage ou panne du Produit en raison d'accidents, ravageurs et parasites, foudre, vent, feu, inondations, actes de Dieu ou toute autre raison hors du contrôle de LGECI ou du fabricant;
- Les dommages ou défaillances résultant d'une mauvaise utilisation, d'un abus, d'une installation, d'une réparation ou d'un entretien inadéquats du produit. Une réparation incorrecte comprend l'utilisation de pièces non autorisées ou spécifiées par LGECI. L'installation ou l'entretien incorrect comprend l'installation ou l'entretien contraire au manuel d'utilisation du produit ;
- Dommage ou panne en raison de modification ou altération non autorisée du Produit, ou si utilisé pour fins autres que celle d'appareil ménager domestique, ou dommage ou panne résultant de toute fuite d'eau due à une mauvaise installation du produit;
- Dommage ou panne en raison de courant électrique, tension ou codes de plomberie incorrects;
- Dommage ou panne en raison d'utilisation autre que celle d'appareil ménager domestique normale, incluant, sans limite, l'utilisation commerciale ou industrielle, incluant l'utilisation au bureau commercial ou centre récréatif, ou détaillée autrement au manuel d'utilisation du Produit;
- Les dommages ou défaillances causés par l'utilisation d'accessoires, de composants ou de produits de nettoyage, y compris, mais sans s'y limiter, les filtres à eau, qui ne sont pas approuvés/autorisés par LGECI ;
- Dommage ou panne provoqué par le transport et la manipulation, y compris rayures, bosses, écaillage et/ou autre endommagement à la finition du Produit, à moins qu'un tel dommage résulte d'une fabrication ou de matériaux défectueux et qu'il soit signalé à LGECI dans un délai d'une (1) semaine suivant la livraison du Produit;
- Dommage or articles absents de tout Produit démonstrateur, boîte ouverte, réusiné ou escompté;
- Produit réusiné ou tout Produit vendu "Tel quel", "Où est", "Avec tous défauts", ou toute mise en garde similaire;
- Produit dont le numéro de série original ait été retiré, altéré ou ne peut être facilement déterminé à la discrétion de LGECI;
- Augmentation de la facture d'électricité et dépenses additionnelles d'utilité de quelque manière associée au Produit;
- Tout bruit associé au fonctionnement normal du Produit;
- Remplacement de toute pièce n'étant pas originalement incluse avec le Produit;
- Remplacement des ampoules, filtres, fusibles ou tout autre élément consommable;
- Coûts associés au retrait et/ou réinstallation du Produit pour fins de réparation; et
- Les clayettes, bacs, tiroirs, poignées et accessoires du Produit, sauf les pièces internes / fonctionnelles couvertes par cette garantie limitée.

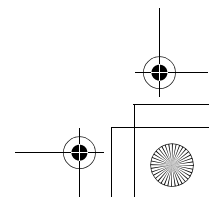
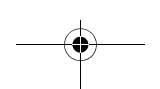
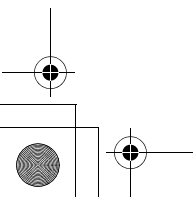
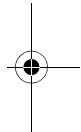
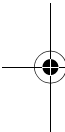
**Tous coûts et dépenses associés aux circonstances d'exclusion ci-dessus, énumérés sous la rubrique « La présente garantie limitée ne couvre pas ce qui suit », sont à la charge du consommateur.**

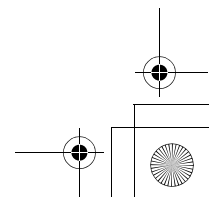
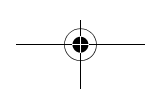
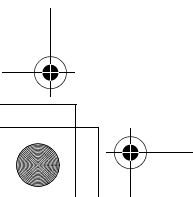
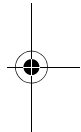
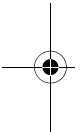
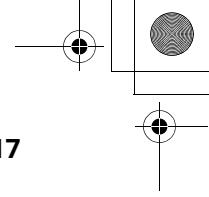
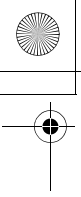
AFIN D'OBTENIR SOUTIEN DE GARANTIE ET INFORMATIONS SUPPLÉMENTAIRES VEUILLEZ NOUS APPELER OU VISITER NOTRE SITE WEB :

- Composez le 1 888 542-2623 (7 h à minuit, à l'année) et sélectionnez l'option appropriée à partir du menu.
- Visitez notre site Web au <http://www.lg.com>

# 16 AIDE-MÉMOIRE

---







LG Customer Information Center

For inquiries or comments,  
visit [www.lg.com](http://www.lg.com) or call:

1-800-243-0000 U.S.A.  
1-888-542-2623 CANADA

Register your product Online!

[www.lg.com](http://www.lg.com)