

LG REFRIGERATION

LROFC0605V

5.8 cu. ft Single Door Freezer

5.8 cu. ft. capacity

Easy-Reach Organization

Direct Cooling System

Curved Pocket Handle



CAPACITY

Freezer (cu.ft.)	5.8
Total Capacity (cu.ft.)	5.8

ENERGY

Energy Consumption (kWh/Year)	275.00
-------------------------------	--------

COOLING

Type	Direct Cooling
Inverter Compressor	Yes
Temperature Sensors	1 (thermostat)

CONVENIENCE

Temperature Controls	Knob Dial
----------------------	-----------

REFRIGERATOR

No. of Shelves	6
Shelf Construction	U Bending Evaporator
Lower Bin	1

REFRIGERATOR DOOR

No. of Bins	4 Full
Door Bin Construction	Plastic

FREEZER

Door Type	Swing Door
Freezer Handle	Pocket Handle

MATERIALS AND FINISHES

Contour Door	Yes
Hidden Hinges	Yes
Surface	Smooth
Handles	Pocket Handles (vertical)
All Available Colors	Platinum Silver

DIMENSIONS/CLEARANCES/WEIGHTS

Depth with Handles	23 5/8"
Depth without Handles	23 5/8"
Depth without Door	20 1/8"
Depth (Total with Door Open)	41 1/8"
Height to Top of Case	51"
Height to Top of Door Hinge	51 1/8"
Width	20 7/8"
Installation Clearance	Sides 2", Top 2", Back 2"
Weight (Unit/Carton)	81.6 Lb / 90.4 Lb
Carton Dimensions (WxHxD)	22 3/4" x 53 1/8" x 25 3/8"

LIMITED WARRANTY

Parts & Labor	1 Year
Sealed System (Parts & Labor)	5 Years
Compressor (Parts & Labor)	5 Years
Linear Compressor (Parts Only)	6 Years

UPC CODES

LROFC0605V (Platinum Silver)	195174003008
------------------------------	--------------



LG REFRIGERATION

LROFC0605V

5.8 cu. ft Single Door Freezer

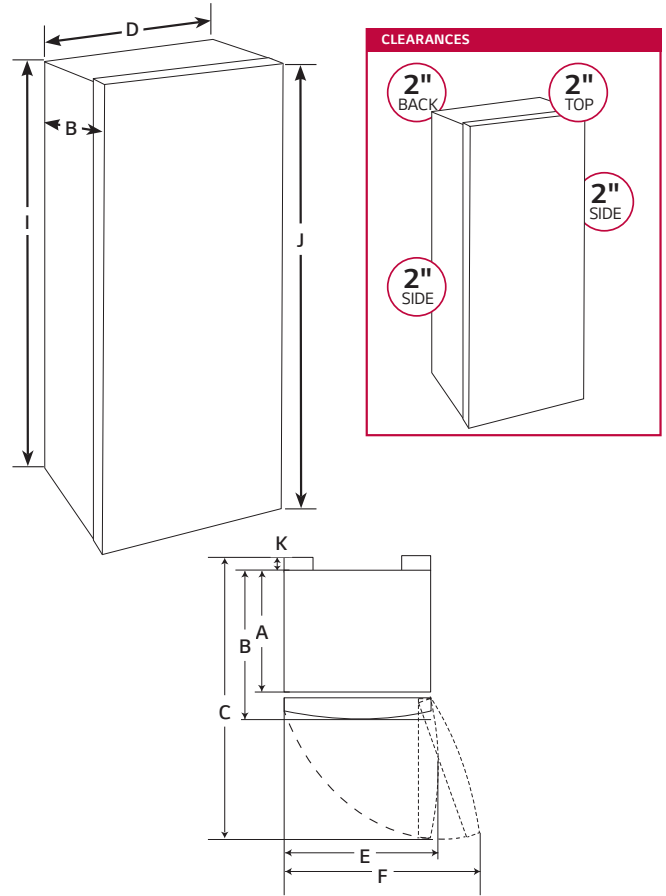
QUICK INSTALL & CLEARANCES

For full installation directions/clearances please refer to the corresponding User Manual and Installation Guide.

DIMENSIONS/CLEARANCES/WEIGHTS

A Depth without Door	20 1/8"
B Depth with Door	23 5/8"
C Depth (Total with Door Open 90°)	41 1/8"
D Width	20 7/8"
E Width (Total with Door Open 90°)	FPO
F Width (Door Open Fully)	FPO
G Door Edge Clearance with Handle (Not Shown)	2 5/8"
H Door Edge with Clearance without Handle (Not Shown)	2 5/8"
I Height to Top of Case	51"
J Height to Top of Door Hinge	51 1/8"
K Back Clearance	2"
Installation Clearances	Sides 2", Top 2", Back 2"
Carton Dimensions (WxHxD)	22 3/4" x 53 1/8" x 25 3/8"
ENERGY	
Energy Consumption (kWh/Year)	275.00

PRODUCT DIMENSIONS



CHOOSING THE PROPER LOCATION

WATER

Select a place where a water supply can be easily connected for the automatic

NOTE

- The water pressure must be 20 – 120 psi or 138 – 827 kPa or 1.4 – 8.4 kgf/cm². If the refrigerator is installed in an area with low water pressure (below 20 psi), you can install a booster pump to compensate for the low pressure.

ELECTRICITY

The refrigerator should always be plugged into its own individual properly grounded electrical outlet rated for 115 Volts, 60 Hz, AC only, and fused at 15 or 20 amperes. This provides the best performance and also prevents overloading house wiring circuits which could cause a fire hazard from overheated wires. It is recommended that a separate circuit serving only this appliance be provided.

WARNING

- To reduce the risk of electric shock, do not install the refrigerator in a wet or damp area.

FLOORING

To avoid noise and vibration, the unit must be leveled and installed on a solidly constructed floor. If required, adjust the leveling legs to compensate for the unevenness of the floor. The front should be slightly higher than the rear to aid in door closing. Leveling legs can be turned easily by tipping the cabinet slightly. Turn the leveling legs to the left to raise the unit or to the right to lower it.

NOTE

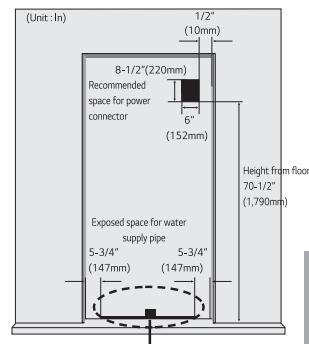
- Installing on carpeting, soft tile surfaces, a platform or weakly supported structure is not recommended.

AMBIENT TEMPERATURE

Install this appliance in an area where the temperature is between 55°F (13°C) and 110°F (43°C). If the temperature around the appliance is too low or high, cooling ability may be adversely affected.

CONNECTING POWER AND SECURING SPACE FOR WATER SUPPLY PIPE

- Make sure the location of the water supply pipe is within the marked range.
- Before connecting the power, always make sure to ground the product. (If the product is not grounded, the user may be able to feel the electricity due to the minute leakage current when touching the refrigerator door handle or side corner even when there is no issue with the product.)
- Do not ground the product to gas pipe, plastic water pipe or telephone wire etc. It can cause electric shock and explosion.



Power connection

The location of the 115V 60Hz power connector must be located on the rear side of the product as shown in the picture.

When installing the product, make sure to check whether the cord is hung on the hook on the rear side so that it is not pressed on the refrigerator. Damaged power cord can cause a fire.

Installation space for water supply pipe

Place the water hose for ice maker and water dispenser as shown in the picture, and prepare hose to come up from the floor. (Copper pipe with diameter of 5/16" (8mm) is recommended for the water hose.) If the water pipe and water hose is located far from the product, bury the water hose on the floor and provide appropriate treatment.

