



LYNX PROFESSIONAL OUTDOOR KITCHEN REFRIGERATION

# 24" OUTDOOR BEVERAGE DISPENSER

WITH RIGHT OR LEFT HINGE (LN24BFL-1 / LN24BFR-1)



## PRODUCT OVERVIEW



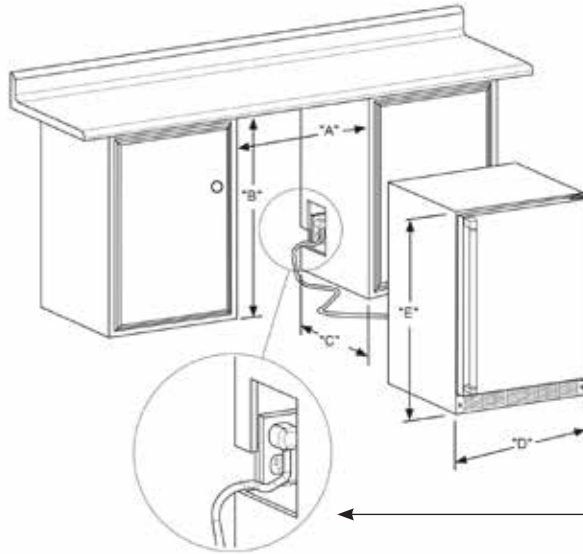
- Lasting beauty—high-quality stainless steel
- Convenient display—digital readout
- Versatile uses—two half shelves for storing drinks
- Individualized fit—can be ordered right or left hinge
- Flexible expansion—compatible with Single Tower Head (L24TWS) and Double Tower Head (L24TWD) to convert into beer dispenser
- Striking effect—blue interior lighting
- Customized range—temperature range of 34°–60°F
- Simple security—the door locks for safety
- Helpful placements—secure CO2 tank storage area, drain bottle, and rear port for external CO2 tank option
- Keg compatibility—Designed for half kegs, pony kegs, and sixth barrels/cornelius kegs
- Tested safety—UL listed for outdoor use
- Proven efficiency—Energy Star rated
- Optional taps—sold separately



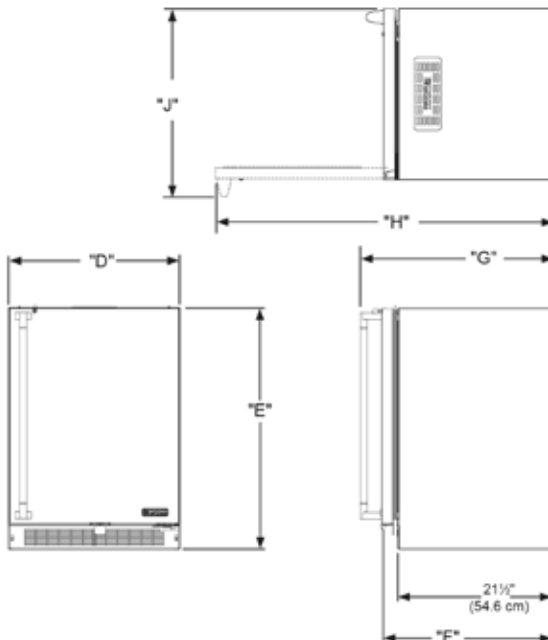
FOR A COMPLIMENTARY CUSTOM DESIGN FOR YOUR OUTDOOR KITCHEN, VISIT [LYNXGRILLS.COM/DESIGN-CENTER](http://LYNXGRILLS.COM/DESIGN-CENTER)

**PRODUCT DIMENSIONS**

MODEL	ROUGH-IN OPENING DIMENSIONS			CABINET DIMENSIONS					
	"A"	"B"	"C"	"D"	"E"	"F"	"G"	"H"	"J"
LN24BF-1	24" (61 cm)	**34" to 35" (86.4 to 88.9 cm)	*	23 <sup>7</sup> / <sub>8</sub> " (60.7 cm)	33 <sup>3</sup> / <sub>4</sub> " to 34 <sup>3</sup> / <sub>4</sub> " (85.7 to 88.3 cm)	23 <sup>29</sup> / <sub>32</sub> " (60.2 cm)	26 <sup>3</sup> / <sub>4</sub> " (67.9 cm)	46 <sup>13</sup> / <sub>32</sub> " (117.9 cm)	26 <sup>3</sup> / <sub>4</sub> " (67.9 cm)



If necessary to gain clearance inside the rough-in opening a hole can be cut through the adjacent cabinet and the power cord routed through this hole to a power outlet. Another way to increase the available opening depth is to recess the power outlet into the rear wall to gain the thickness of the power cord plug. Not all recessed outlet boxes will work for this application as they are too narrow, but a recessed outlet box equivalent to Arlington #DVFR1W is recommended for this application, (see below).



\* Depth dimension of rough-in opening may vary depending on each individual installation. To recess entire door "F" dimension plus 1" (2.5 cm) for thickness of power cord plug is required.

\*\* Minimum rough-in opening required is to be larger than the adjusted height of the cabinet.

# A grounded 15 amp dedicated circuit is required. Follow all local building codes when installing electrical and appliance.