

MAKE THE MOST OF YOUR



LM24REFC  
OUTDOOR REFRIGERATOR / FREEZER  
CARE & USE/INSTALLATION

# CONTENTS

## Contents

Safety information .....	2
Unpacking your appliance .....	3
Warranty registration .....	3
Installing your appliance .....	4
Cabinet clearances .....	4
Leveling the appliance .....	4
Electrical connection .....	5
Installing the water supply .....	6
Optional ice-maker operation .....	7
Product dimensions .....	8
Starting your appliance .....	10
Using your Electronic control .....	10
Sleep mode .....	10
Turning your appliance "ON" or "OFF" .....	11
Adjusting the temperature .....	11
Temperature mode .....	11
Control lock .....	12
Temperature sensor error codes .....	12
Alarms .....	12
Door ajar .....	12
Power failure .....	13
Temperature alarm .....	13
Vacation mode .....	13
Shelving configurations .....	14
Shelf removal .....	15
Care and cleaning .....	16
Long term storage/winterization .....	16
Energy saving tips .....	19
Stainless steel maintenance .....	20
Obtaining service .....	20
Troubleshooting .....	21
Troubleshooting ice-maker .....	22
The Lynx Story .....	23

## Important Safety Instructions

Warnings and safety instructions appearing in this guide are not meant to cover all possible conditions and situations that may occur. Common sense, caution, and care must be exercised when installing, maintaining, or operating this appliance.

### Recognize Safety Symbols, Words, and Labels.

Death or serious injury could result if...



### WARNING

**WARNING** - You can be killed or seriously injured if you do not follow these instructions.



### CAUTION

**CAUTION**-Hazards or unsafe practices which could result in personal injury or property / product damage.

### NOTE

**NOTE**-Important information to help assure a problem free installation and operation.



### WARNING

**State of California Proposition 65 Warning:**  
This product contains one or more chemicals known to the State of California to cause cancer.



### WARNING

**State of California Proposition 65 Warning:**  
This product contains one or more chemicals known to the State of California to cause birth defects or other reproductive harm.

## UNPACKING YOUR APPLIANCE



### WARNING

#### EXCESSIVE WEIGHT HAZARD

Use two or more people to move product.  
Failure to do so can result in personal injury.

### Remove Interior Packaging

Your appliance has been packed for shipment with all parts that could be damaged by movement securely fastened. Remove internal packing materials and any tape holding internal components in place. The owners manual is shipped inside the product in a plastic bag along with the warranty registration card, and other accessory items.

### Important

Keep your carton and packaging until your appliance has been thoroughly inspected and found to be in good condition. If there is damage, the packaging will be needed as proof of damage in transit. Afterwards please dispose of all items responsibly.



### WARNING

**WARNING** - Dispose of the plastic bags which can be a suffocation hazard.

### Note to Customer

This merchandise was carefully packed and thoroughly inspected before leaving our plant. Responsibility for its safe delivery was assumed by the retailer upon acceptance of the shipment. Claims for loss or damage sustained in transit must be made to the retailer.

### NOTE

DO NOT RETURN DAMAGED MERCHANDISE TO THE MANUFACTURER - FILE THE CLAIM WITH THE RETAILER.



### CAUTION

If the appliance was shipped, handled, or stored in other than an upright position for any period of time, allow the appliance to sit upright for a period of at least 24 hours before plugging in. This will assure oil returns to the compressor. Plugging the appliance in immediately may cause damage to internal parts.

## Warranty Registration

It is important you send in your warranty registration card immediately after taking delivery of your appliance or you can register online at:

[www.lynxgrills.com/support/registration](http://www.lynxgrills.com/support/registration)

The following information will be required when registering your appliance.

Service/Model Number

Serial Number

Date of Purchase

Dealer's name and address

The service/model number and serial number can be found on the serial plate which is located inside the cabinet on the left side near the top. (See Figure 1).

LYNX GRILLS, INC DOWNEY, CA 90242	
MODEL NO.	XXXXXXXXXXXXXX
SERVICE NO.	XXXXXXXXXXXXXX
SERIAL NO.	XXXXXXXXXXXXXX
HZ	<input type="checkbox"/>
VOLTS	<input type="checkbox"/>
AMPS	<input type="checkbox"/>
R134A	<input type="checkbox"/>
oz	<input type="checkbox"/>
DESIGN PRESSURES 140 PSI LOW SIDE 300 PSI HIGH SIDE	

Figure 1



### WARNING

#### WARNING - Help Prevent Tragedies

Child entrapment and suffocation are not problems of the past. Junked or abandoned refrigerators are still dangerous - even if they sit out for "just a few hours".

If you are getting rid of your old refrigerator, please follow the instructions below to help prevent accidents.

Before you throw away your old refrigerator or freezer:

- Take off the doors or remove the drawers.
- Leave the shelves in place so children may not easily climb inside.

## INSTALLING YOUR APPLIANCE

### Select Location

The proper location will ensure peak performance of your appliance. We recommend a location where the unit will be out of direct sunlight and away from heat sources. To ensure your product performs to specifications, the recommended installation location temperature range is from 55 to 115°F (13 to 46°C).

### Cabinet Clearance

Ventilation is required from the bottom front of the appliance. Keep this area open and clear of any obstructions. Adjacent cabinets and counter top can be installed around the appliance as long as the front grille remains unobstructed.

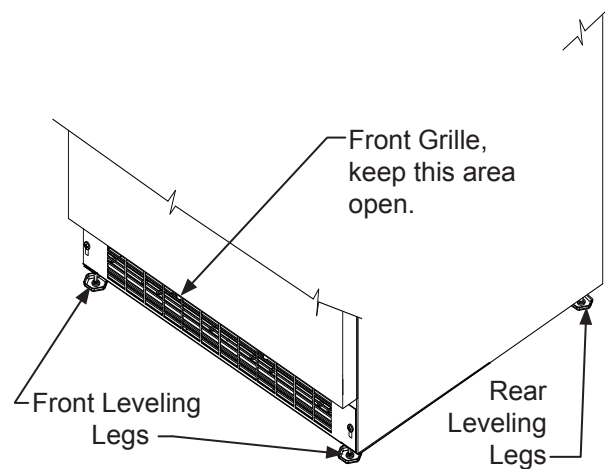


Figure 2

### Leveling Legs

Adjustable legs at the front and rear corners of the appliance should be set so the unit is firmly positioned on the floor and level from side to side and front to back. The overall height of your appliance may be adjusted between the minimum, 33 $\frac{3}{4}$ " (85.7 cm), by turning the leveling leg in (CW ↻) and the maximum, 34 $\frac{3}{4}$ " (88.3 cm) by turning the leveling leg out (CCW ↻).

To adjust the leveling legs, place the appliance on a solid surface and protect the floor beneath the legs to avoid scratching the floor. With the assistance of another person, lean the appliance back to access the front leveling legs. Raise or lower the legs to the required dimension by turning the legs. Repeat this process for the rear by tilting the appliance forward using caution. On a level surface check the appliance for levelness and adjust accordingly.

The front grille screws may be loosened and the grille adjusted to the desired height. When adjustment is complete tighten the two front grille screws. (See Figure 5).



**CAUTION**

### Front Grille

Do not obstruct the front grille. The openings within the front grille allow air to flow through the condenser heat exchanger. Restrictions to this air flow will result in increased energy usage and loss of cooling capacity. For this reason it is important this area not be obstructed and the grille openings kept clean. Lynx Grills does not recommend the use of a custom made grille as air flow may be restricted. (See Figure 2).

## INSTALLING YOUR APPLIANCE

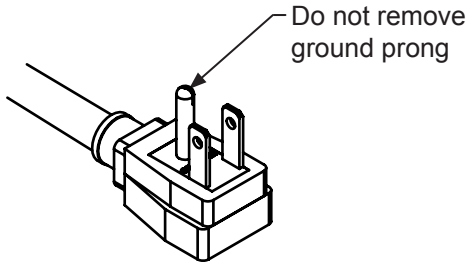


Figure 3

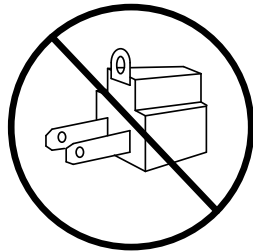


Figure 4

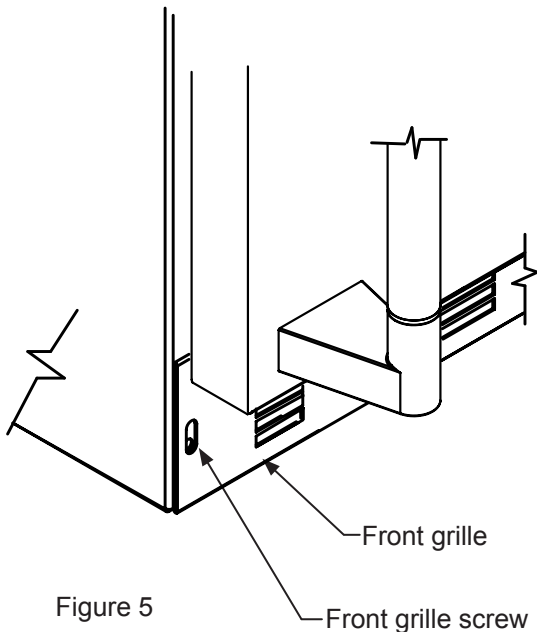


Figure 5

### WARNING

#### Electrical Shock Hazard

- Do not use an extension cord with this appliance. They can be hazardous and can degrade product performance.
- This appliance should not, under any circumstances, be installed to an un-grounded electrical supply.
- Do not remove the grounding prong from the power cord. (See Figure 3).
- Do not use an adapter. (See Figure 4 ).
- Do not splash or spray water from a hose on the appliance. Doing so may cause an electrical shock, which may result in severe injury or death.

#### Electrical Connection

A grounded 115 volt, 15 amp dedicated circuit is required.

This product is factory equipped with a power supply cord that has a three-pronged, grounded plug. It must be plugged into a mating grounding type receptacle in accordance with the National Electrical Code and applicable local codes and ordinances (see Figure 6). If the circuit does not have a grounding type receptacle, it is the responsibility and obligation of the customer to provide the proper power supply. The third ground prong should not, under any circumstances, be cut or removed.

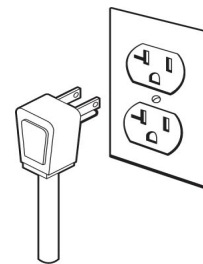


Figure 6

### NOTE

Ground Fault Circuit Interrupters (GFCI) are prone to nuisance tripping which will cause the appliance to shut down. GFCI's are generally not used on circuits with power equipment that must run unattended for long periods of time, unless required to meet local building codes and ordinances.

## INSTALLING THE WATER SUPPLY MODEL LM24REFC WITH OPTIONAL ICE-MAKER KIT

### NOTE

An optional ice-maker kit (part number S42418151) is available for model LM24REFC which includes all of the necessary parts for installation. The kit can be obtained from Lynx Grills customer service by calling (888)-289-5969.

### Water Supply

### CAUTION

Observe and follow all local building codes when installing this appliance.

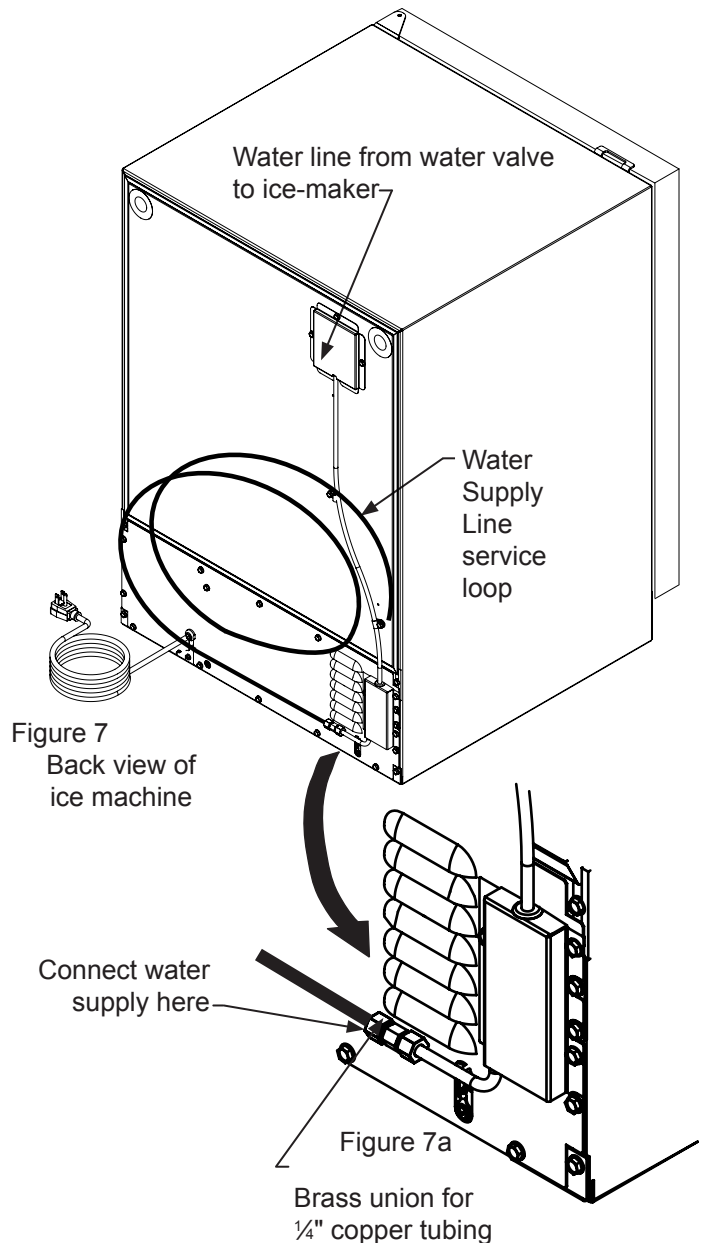
Use ¼" copper tubing for your water supply which is available at any local hardware or plumbing supply store. Bend the ¼" copper tubing to suit your installation being sure not to kink the tubing. Purchase enough copper tubing length and coil it behind the unit to form a "service loop" which will allow the appliance to be pulled out from the installation for servicing or cleaning. Connect the copper tubing to the "top side" of a cold water pipe to prevent the ice-maker from plugging with sediment.

A shutoff valve is recommended on the water supply line to ease servicing the appliance. **NOTE: A SELF-PIERCING TYPE VALVE IS NOT RECOMMENDED** as they are prone to clogging with sediment which will create pressure drop reducing the water supply to the unit.

Connect the copper tubing water supply to the brass union with the compression nut fitting provided. (See Figure 7).

Water pressure must be at a minimum of 20 psi for proper operation and a maximum of 120 psi.

Make certain all water connections are watertight after installation. Form the tubing so that it will not vibrate against the cabinet body or kink when your appliance is set in position.



### NOTE

- Do not use any thread sealers on these water line fittings.
- Reverse osmosis, softened water, and de-ionized water are not recommended as they will adversely affect the quality of the ice.

## OPTIONAL ICE-MAKER OPERATION



### CAUTION

The water supply to the ice-maker must be turned on prior to turning the ice-maker on. Failure to do so will cause rapid dry cycling of the ice-maker mold heater resulting in temperature control issues in the freezer compartment.

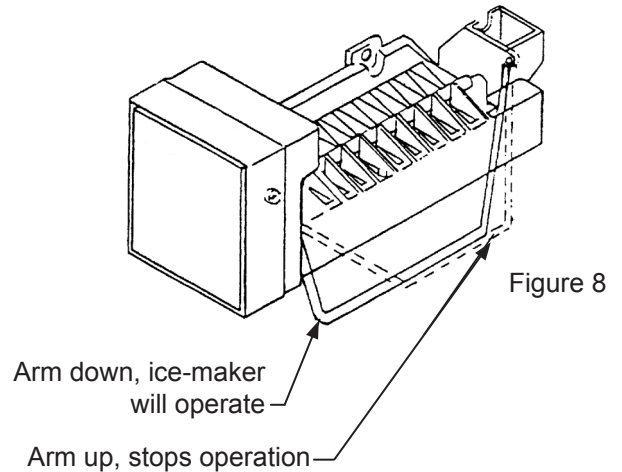
### Ice-maker operation

- The unit must be installed level for proper ice-maker operation.
- The shutoff arm wire must be down in its lowest position for the ice-maker to operate. (See Figure 8).
- When the freezer section and ice-maker unit has sufficiently cooled, the ice-maker will harvest ice cubes automatically.
- When the ice bucket is full, the ice-maker will automatically shut off.
- You may manually stop the ice-maker by raising the shut off arm to the locking position at the up most position. (See Figure 8).

### NOTE

It is recommended the ice-maker is shut off when removing the bucket, or ice may be dispensed onto the freezer compartment floor.

If the ice is not used regularly, it will clump together with time. For best ice results, discard ice in the bin as required and allow the ice-maker to make a new fresh batch of ice. Shut-off the ice-maker by raising the shut-off arm before removing the bucket.



# PRODUCT DIMENSIONS

MODEL	ROUGH-IN OPENING DIMENSIONS			CABINET DIMENSIONS					
	"A"	"B"	"C"	"D"	"E"	"F"	"G"	"H"	"J"
LM24REFC	24" (61 cm)	**34" to 35" (86.4 to 88.9 cm)	*	23 <sup>7</sup> / <sub>8</sub> " (60.7 cm)	33 <sup>3</sup> / <sub>4</sub> " to 34 <sup>3</sup> / <sub>4</sub> " (85.7 to 88.3 cm)	23 <sup>23</sup> / <sub>32</sub> " (60.2 cm)	26 <sup>3</sup> / <sub>4</sub> " (67.9 cm)	46 <sup>13</sup> / <sub>32</sub> " (117.9 cm)	26 <sup>3</sup> / <sub>4</sub> " (67.9 cm)

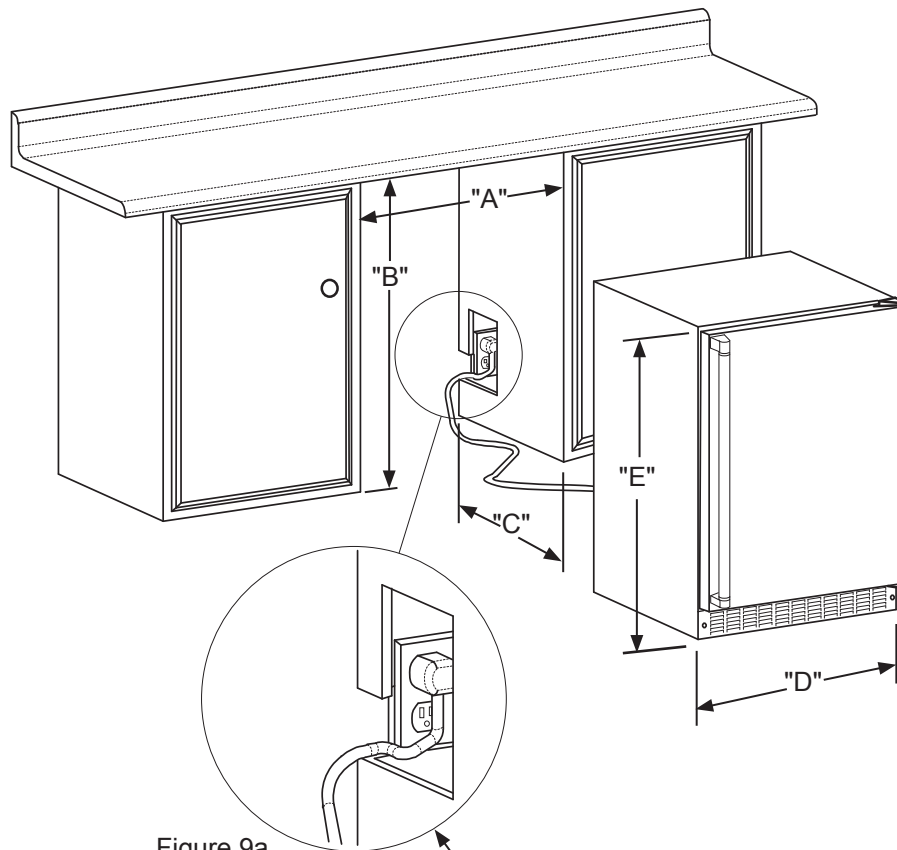


Figure 9

Figure 9a

If necessary to gain clearance inside the rough-in opening a hole can be cut through the adjacent cabinet and the power cord routed through this hole to a power outlet. Another way to increase the available opening depth is to recess the power outlet into the rear wall to gain the thickness of the power cord plug. Not all recessed outlet boxes will work for this application as they are too narrow, but a recessed outlet box equivalent to Arlington #DVFR1W is recommended for this application, (see Figure 10).



Figure 10



# PRODUCT DIMENSIONS

MODEL	PRODUCT DATA	
	ELECTRICAL REQUIREMENTS #	PRODUCT WEIGHT
LM24REFC	115V/60Hz/15A	140 lbs (63.6 kg)

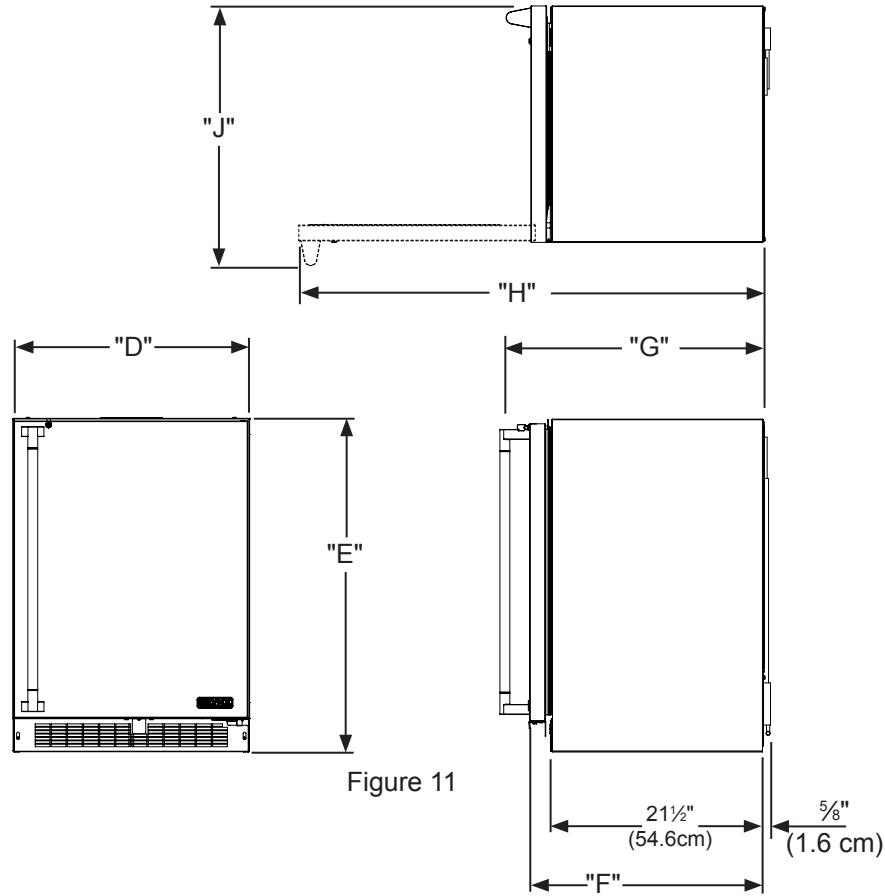


Figure 11

\* Depth dimension of rough-in opening may vary depending on each individual installation. To recess entire door "F" dimension plus 1" (2.5 cm) for thickness of power cord plug.

\*\* Minimum rough-in opening required is to be larger than the adjusted height of the cabinet.

# A grounded 15 amp dedicated circuit is required. Follow all local building codes when installing electrical and appliance.

# STARTING YOUR APPLIANCE



## Starting your appliance

Plug the appliance power cord into a 115 volt wall outlet. Your appliance is shipped from the factory in the "On" position and will begin start-up of cooling as soon as power is supplied. If the appliance does not start, confirm that the wall outlet has power, and that the control is in the "On" position, (See "Turning your appliance On and Off" below).

The control display is covered with a clear plastic film. This film may be removed by carefully lifting the film at a corner.

On initial power up, the control display will indicate a "Power Failure" alarm. This is a normal condition as the appliance was powered-up at the factory for quality inspection and then removed from power. A momentary press of the "On/Off" keypad will reset this alarm condition. (See Alarms section on page 12).

## NOTE

Your product has an automatic defrost feature that utilizes an electric heater element. Periodically during defrost you may observe the following:

- Water dripping and running sounds as a result of the frost melt
- Sizzling and popping sounds from water dripping on the heater element
- A faint reddish glow in the freezer compartment from the electric heater element

These are all "normal" operating characteristics related to refrigeration product incorporating automatic defrost. They do not represent any product fault or safety issue.

## Using your electronic control



## Sleep mode

If no keypads are pressed for 60 seconds, the display will enter sleep mode to conserve power. The control panel will go dark with the exception of the system status "OK" indicator which will remain enabled. Alarm conditions will wake the display, (see alarms on page 12).

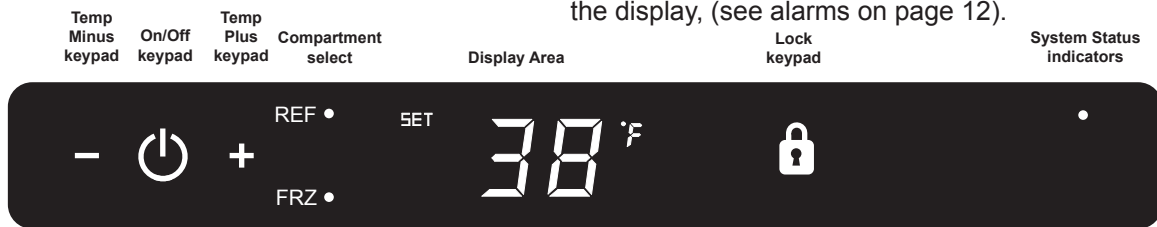


Figure 12a  
Electronic control

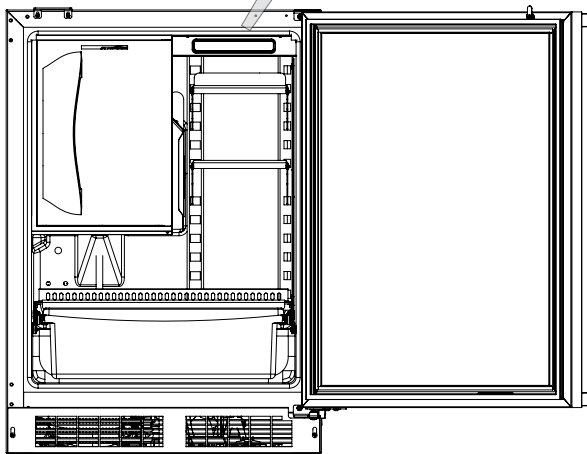


Figure 12

To make the following changes to the control settings (turning the appliance ON/OFF, adjusting the temperature, and activating vacation mode), the control must be awake.

To wake the display press any keypad. A confirm tone will sound, and the current storage compartment temperature will be displayed.



The sleep mode can be disabled if you prefer to have the display on continuously. Press and hold the "Lock" keypad until the display goes past "Loc" and reads "nSL". To enable the sleep mode, repeat the instruction, again going past "Loc" until the display reads "SLP".

## USING YOUR ELECTRONIC CONTROL



### Turning your appliance ON and OFF

If the appliance is "On", (and out of sleep mode) the temperature will be shown in the display area of the control. To turn the appliance "Off", press and hold the "On/Off" keypad for 4-seconds. "OFF" will now be displayed on the control.



To turn the appliance "On", press and hold the "On/Off" keypad for 4-seconds.

### Adjusting the temperature

#### NOTE

Loading warm contents may trigger a temperature alarm, see temperature alarm page 13. Depending on the quantity and/or weight of warm contents, it may take 48 hours for the compartment temperature to stabilize.

When making temperature set-point changes, it may take up to 24-hours for the stored contents to stabilize at your new set-point temperature.

Factors that affect the storage compartment stabilized temperature:

- Changes to temperature setting.
- Room temperature changes.
- Temperature of stored contents.
  - Loading warm contents.
  - Cold content load will delay the change to a warmer set-point temperature.
  - Warm content load will delay the change to a colder set-point temperature.
- Usage, (number and duration of the door openings).
- Installation of the appliance in direct sunlight or next to a heat source.

Freezer compartment selected



Refrigerator compartment selected



Temperatures can be set for each individual compartment (refrigerator or freezer / ice-maker). To do so you must first select the compartment you want to set the temperature for.

You do so by pressing the refrigerator (REF) or freezer (FRZ) button on the display. When pressed the LED light will be illuminated for the respective display.



To change the set temperature for a particular compartment, with the compartment enabled and out of sleep mode, press the "-" or "+" keypads. "SET" will be indicated on the user interface panel and the current set-point temperature will display and flash. Subsequent presses of the "-" or "+" keypads will adjust the temperature colder or warmer respectively. When you have reached your desired set-point temperature, press the "On/Off" keypad to accept, or do nothing and the "Set" mode will time-out in 10-seconds accepting the displayed temperature as the new set-point.

The available set-point temperature range for your appliance is -6°F (-21°C) to 6°F (-14°C) for the freezer compartment (ice-maker) and 34°F (1.2°C) to 42°F (5.7°C) for the refrigerator compartment. If you attempt to adjust the temperature outside of these ranges you will receive an audible notification.



### Temperature mode

The temperature mode is preset from the factory in Fahrenheit (°F) but you have the option to change it to Centigrade (°C). To change the mode, press and hold the "-" keypad, while pressing the "+" keypad, then release the "-" keypad. The temperature will now be displayed in Centigrade (°C). Repeat the procedure to change the temperature mode back to Fahrenheit (°F).

## USING YOUR ELECTRONIC CONTROL



### Control lock

The control panel can be locked to avoid unintentional changes. To lock the control, press and hold the "Lock" keypad until the display reads "Loc" then immediately release your finger from the keypad. The lock icon will flash 3-times and then continuously illuminate. When the control panel is locked, only the Lock keypad, System Status OK indicator, and the Alarm indicator are active. To un-lock the control panel, repeat this instruction until the display reads "nLc" then immediately release your finger from the keypad.

#### NOTE



If the control lock is active (illuminated lock icon) the control will have to be unlocked before using the keypad to reset an alarm condition. See page 12 (Control Lock) for instructions for unlocking the control.

### Alarms

The control will alert you to conditions that could adversely affect the performance of the appliance.



- **Door ajar** - If the door is open, or not closed properly, for more than 5-minutes the System Status OK indicator will turn-off, the "Door Ajar" indicator will flash, and a tone will sound every 60 seconds. Additionally, an "ALARM RESET" indicator will be displayed below the "On/Off" keypad.

#### NOTE



The audible alarm can be muted, for each occurrence, by pressing the lock keypad.

This alarm condition can be reset by closing the door or momentarily pressing the "On/Off" keypad, (i.e.-if you are cleaning the storage compartment, etc.). The alarm will recur in 5-minutes if the alarm condition persists.

### Temperature Sensor Error Codes

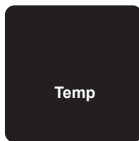
The temperature sensors are monitored continuously. Any OPEN or SHORTED circuit condition will initiate an ERROR CODE as listed below:

Temperature Sensor Error Codes			
Sensor	Displayed Code	Error Description	Action to Take
Refrigerator Temperature Sensor		Failed temperature sensor in the refrigerator compartment. Can lead to unwanted storage temperatures and/or spoiled perishable goods.	Call service to have the temperature sensor replaced and remove all perishable goods from compartment to prevent spoilage.
Freezer Temperature Sensor		Failed temperature sensor in the freezer compartment. Can lead to unwanted storage temperatures and/or spoiled perishable goods.	Call service to have the temperature sensor replaced and remove all perishable goods from compartment to prevent spoilage.
Defrost Sensor		Failed defrost temperature sensor. Causes unit to not defrost properly and can create large frost build-up. Can lead to water damage to the unit and surrounding floor.	Unplug the power cord immediately and call service to have the defrost sensor replaced.

## USING YOUR ELECTRONIC CONTROL



- Power failure** - If power to the appliance is interrupted the System Status indicator will turn-off and the "Power Failure" indicator will flash. Additionally, an "ALARM RESET" indicator will be displayed below the "On/Off" keypad. No audible tone will sound. This alarm condition can be reset by momentarily pressing the "On/Off" keypad. If this alarm occurs, it is recommended that you check the condition of any perishables, even if the appliance is operating normally and the temperature has recovered, as prolonged power outages could result in excessive temperature excursions which may spoil perishables.



- Temperature alarm** - If the storage compartment temperature deviates excessively from your set-point temperature for an extended period of time, the "TEMP" indicator will flash, and an audible tone will sound every 60 seconds. Additionally, an "ALARM RESET" indicator will be displayed below the "ON/OFF" keypad.

### NOTE

After a high temperature alarm condition, check all perishables to ensure they are safe for consumption.

### NOTE

The temperature alarm may occur as a result of high usage or introduction of warm contents to the storage compartment. If the temperature alarm continues to occur, your unit may require service.

### NOTE



The audible alarm can be muted, for each occurrence, by pressing the lock keypad.

This alarm condition can be reset by momentarily pressing the "On/Off" keypad. If this alarm occurs it is recommended that you check the condition of your stored contents, even though the appliance is operating normally and the temperature has recovered, as prolonged temperature excursions could spoil perishables.

### NOTE

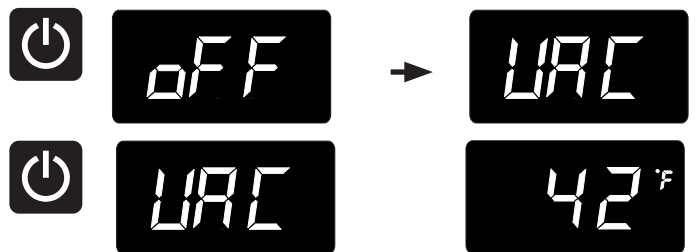


Multiple alarms are possible, i.e.- "Door Ajar" for a prolonged period may trigger a "Temp" alarm, in which case both "Door Ajar" and "Temp" indicators will activate.

## Vacation mode

This operating mode can be used to save energy during high cost energy periods, or when you won't be using your appliance for an extended period of time by disabling the lights, alarm tones, and keypad entry tones. Vacation mode also serves as a Sabbath mode, disabling functions and its controls in accordance with the weekly Sabbath and religious holidays observed within the Orthodox Jewish community. When used as Sabbath mode, you may open or close the door at any time to access contents without concern of directly turning on or off any lights, digital readouts, solenoids, fans, valves, compressor, icons, tones, or alarms.

When activated, the display, alarm indicators and tones, keypad touch tones, interior lights, and all options are disabled. All keypad functions are disabled, with the exception of the "On/Off" keypad which is required to exit Vacation mode. Storage compartment temperatures are monitored and controlled at the settings prior to entering Vacation mode.



To enter Vacation Mode (with the control out of sleep mode), press and hold the "On/Off" keypad until the display goes past "OFF" and reads "VAC". The display will flash "VAC" 3-times to acknowledge your request, then will display "VAC" continuously until Vacation mode is exited. A power outage will not exit Vacation mode, exiting can only be accomplished manually. To exit Vacation mode and return to normal operation, press and hold the "On/Off" keypad until the control displays the temperature.

## SHELVING CONFIGURATIONS

### Refrigerator / Freezer

24" (61 cm) wide see Figure 13:

#### Refrigerator:

- (2) Half width cantilever adjustable shelf.  
see Figure 14
- (1) Full width fixed position glass shelf
- (1) Roller glide clear crisper drawer

#### Freezer:

- (1) Fixed position metal shelf, see Figure 15.

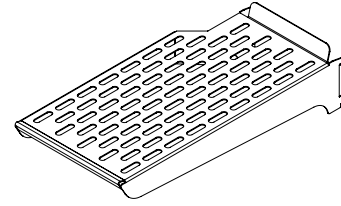


Figure 14

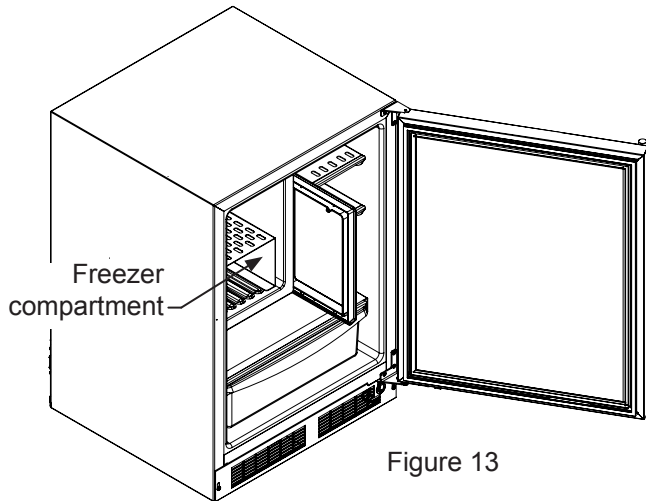


Figure 13

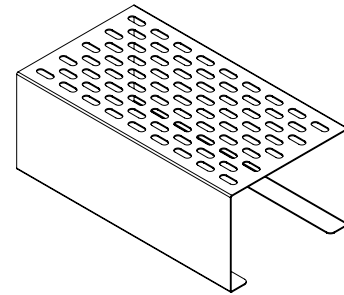


Figure 15  
Freezer shelf

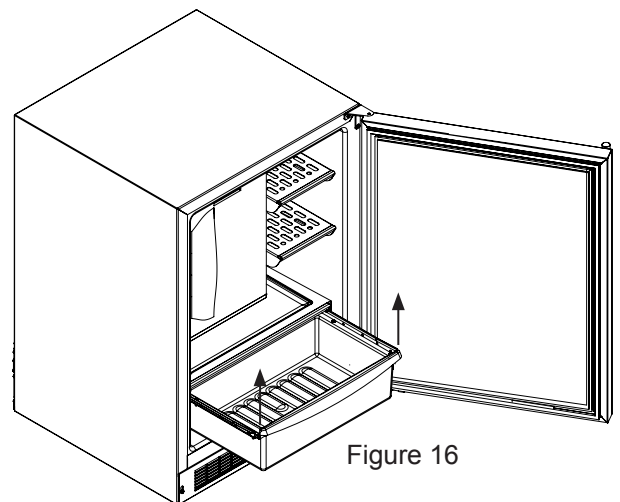


Figure 16

#### To remove the crisper :

Pull out until it stops. Lift up on the front of the pan, and remove it from the frame.

## SHELF REMOVAL

### To Add or Remove a Shelf

Remove stored product from the shelf. Do not try to remove a loaded shelf from the appliance. Grasp the shelf front with both hands, rotate the front upward and lift out. (See Figure 17a). To install a shelf insert the shelf in the appliance and insert the top hooks into the shelf support slots and drop the shelf down so the hooks drop over the bottom of the slots.



### CAUTION

Make sure your cantilever shelf is secure on the shelf supports by pressing down on the shelf before loading.

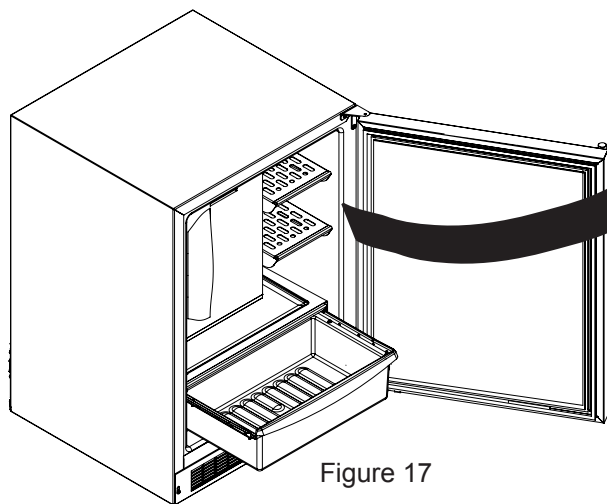


Figure 17

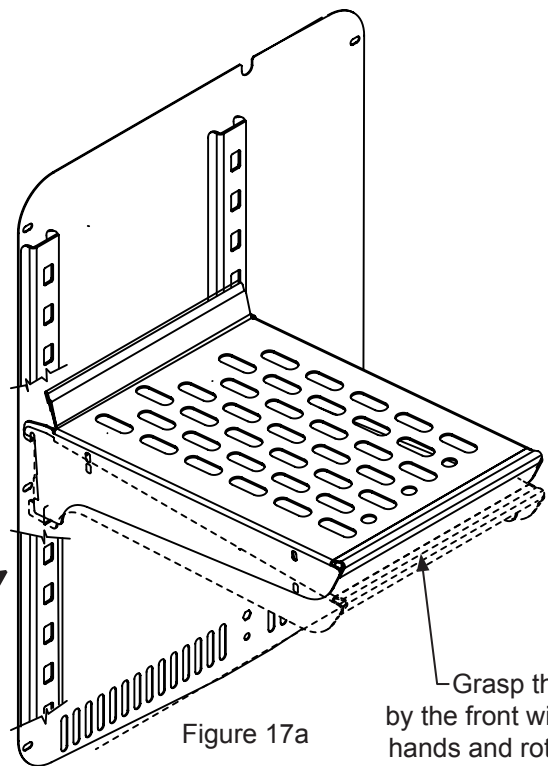


Figure 17a

Grasp the shelf by the front with both hands and rotate the front of the shelf up, then lift the shelf up and remove the shelf from the shelf ladders.



### CAUTION

Never try to move a loaded shelf, remove everything from the shelf before moving. Use both hands when moving the shelf.

## CARE AND CLEANING

### Front Grille

Be sure that nothing obstructs the required air flow openings in front of the cabinet. At least once or twice a year, brush or vacuum lint and dirt from the front grille area (see page 4).



### CAUTION

**SHOCK HAZARD:** Disconnect electrical power from the appliance before cleaning with soap and water.

### Cabinet

The painted cabinet can be washed with either a mild soap and water and thoroughly rinsed with clear water. NEVER use abrasive scouring cleaners.

### Interior

Wash interior compartment with mild soap and water. Do NOT use an abrasive cleaner, solvent, polish cleaner or undiluted detergent.

### Care of Appliance

1. Avoid leaning on the door, you may bend the door hinges or tip the appliance.
2. Exercise caution when sweeping, vacuuming or mopping near the front of the appliance. Damage to the grille can occur.
3. Periodically clean the interior of the appliance as needed.
4. Periodically check and/or clean the front grille as needed.

### In the Event of a Power Failure

If a power failure occurs, try to correct it as soon as possible. Minimize the number of door openings while the power is off so as not to adversely affect the appliance's temperature.

### Light Assembly Replacement

All models use LED lamps to illuminate the interior of the appliance. This component is very reliable, but should one fail, contact a qualified service technician for replacement of the LED.

### Long Term Storage/Winterization

#### (LM24REFC refrigerator freezer):

1. Time to Winterize, when the daily low ambient temperature is at or below 38°F (3.3°C).



### CAUTION

Operation of the unit at ambient temperatures below the recommended Winterization temperature will void your warranty.

2. Turn unit off, (see page 11)
3. Remove all contents.
4. If necessary, move the unit so you can gain access to the rear of the product.
5. Unplug the unit from the power outlet.
6. It is also recommended that the power to the outlet be turned-off if the circuit is not required for other items during the Winter season.
7. When cleaning unit pay particular attention to any cracks and crevices that may have accumulated dirt and debris.
8. Remove the front toe-grille, (see Figure 18), and use a brush and vacuum to clean dirt and debris from beneath the unit.
9. Thoroughly clean the toe-grille and re-install on the unit. (See Figure 18).
10. Remove the rear access cover, (see Figure 19), and use a brush and vacuum to clean dirt and debris from the machine compartment.
  - If the plastic defrost drain pan located under the compressor contains water, use a sponge to remove as much water as possible.
11. Thoroughly clean the rear access cover and re-install on the unit.
12. Wipe down all interior surfaces with anti-bacterial cleaner to be followed with clean rinse water to remove any residual chemicals which could cause staining. Do not use any abrasive cleaners or scouring pads.
13. Leave the door open and allow to completely dry out before closing the door.
14. Thoroughly clean the door gasket with anti-bacterial cleaner to be followed with clean rinse water to remove any residual chemicals.
15. Thoroughly clean the exterior with a cleaner approved for stainless steel. Do not use any abrasive cleaners or scouring pads. See "Stainless Steel Maintenance" on page 20.
16. Any mounting hardware / fasteners that are showing signs of corrosion should be replaced.



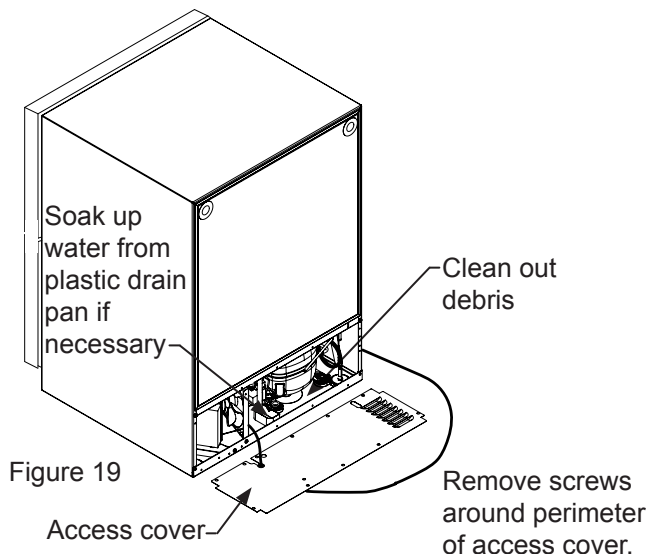
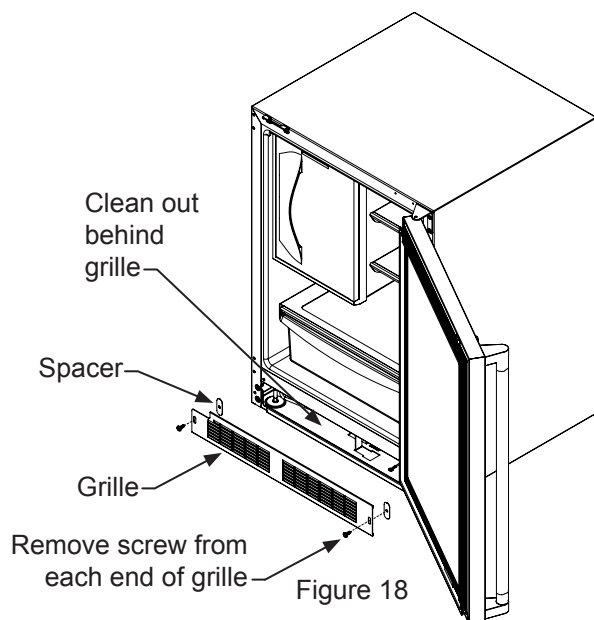
## CARE AND CLEANING

17. Once the exterior has been thoroughly cleaned, you may want to apply a coating of car wax to help protect against spotting from moisture, dirt, and debris that may accumulate on the surfaces during the Winterization period.
18. Do not place a cover on the unit, as this can trap condensation.

After completion of the above, you may choose to store the unit indoors, although this is not required.

### Start-Up After Long-Term Storage

1. If stored outside, it is recommended that the unit again be thoroughly inspected per the storage instructions above to address any dirt or debris from the weather and/or animals/insects.
2. Connect the unit to electrical power.
3. Turn unit on and confirm your desired control settings.
4. Allow 24-hrs for the unit to stabilize before loading contents.



## CARE AND CLEANING

### Long Term Storage/Winterization

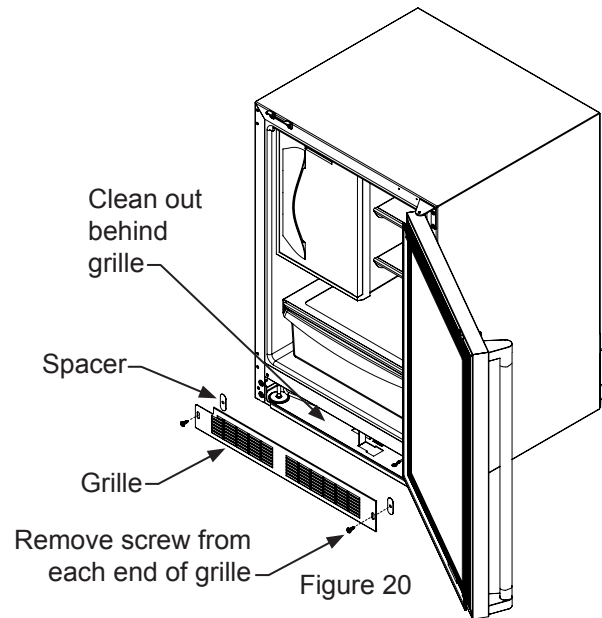
#### (LM24REFC, with optional ice maker):

1. Time to Winterize, when the daily low ambient temperature is at or below 38°F (3.3°C).

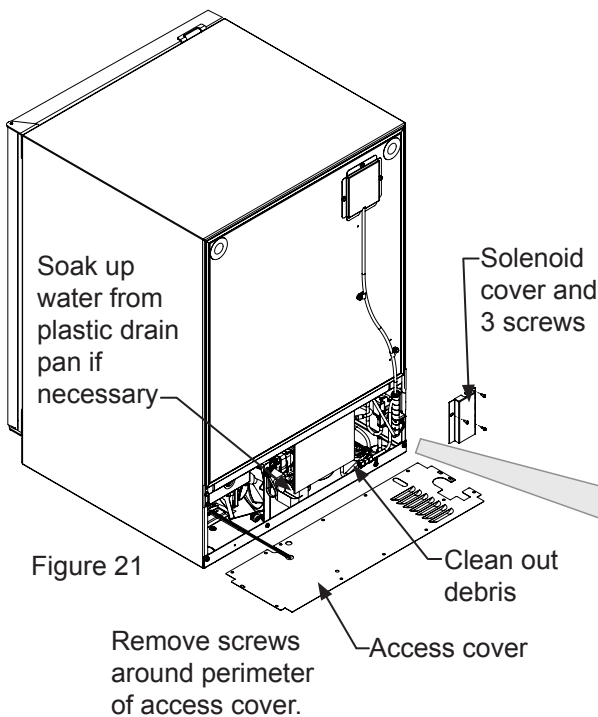
### CAUTION

Operation of the unit at ambient temperatures below the recommended Winterization temperature will void your warranty.

2. Raise the bail arm of the ice maker ( see Figure 8 on page 7) to stop ice production.
3. Turn the water supply to the unit off.
4. If necessary, move the unit so you can gain access to the rear of the product.
5. Disconnect the water supply line from the water fill valve located on the back of the unit, (see page 6).
6. Be sure the exterior water supply line is drained or blown out to prevent freezing and cracking of the supply line.
7. We recommend a cap be placed on the water supply line to prevent dirt and insects from plugging the line.
8. Empty the ice bucket and replace the ice bucket in unit.
9. Lower the ice maker bail arm to allow the unit to operate until ice is dispensed from ice maker to empty the ice maker mold.
10. Raise the bail arm and remove the ice bucket and clean thoroughly with warm water and dish soap.
11. Turn unit off to defrost ice storage compartment, see page 11).
12. Unplug the unit from the power outlet.
13. It is also recommended that the power to the outlet is turned-off if the circuit is not required for other items during the winter season.
14. When cleaning the unit pay particular attention to any cracks and crevices that may have accumulated dirt and debris.
15. Remove the front toe-grille, (see Figure 20), and use a brush and vacuum to clean dirt and debris from beneath the unit.
16. Thoroughly clean the toe-grille and re-install on the unit. (See Figure 20).
17. Remove the solenoid cover and 3 screws. (see Figure 21). Remove the rear access cover, (see Figure 21), and use a brush and vacuum to clean dirt and debris from the machine compartment.
  - If the plastic defrost drain pan located under the compressor contains water, use a sponge to remove as much water as possible.
18. Disconnect the plastic water line from the bottom of the solenoid valve (see Figure 21a) and drain. Reconnect the water line.
19. Thoroughly clean the rear access cover and re-install on the unit.
20. Wipe down all interior surfaces with anti-bacterial cleaner to be followed with clean rinse water to remove any residual chemicals which could cause staining. Do not use any abrasive cleaners or scouring pads.
21. Leave the door open and allow to completely dry out before closing the door.
22. Thoroughly clean the door gasket with anti-bacterial cleaner to be followed with clean rinse water to remove any residual chemicals.
23. Thoroughly clean the exterior with a cleaner approved for stainless steel. Do not use any abrasive cleaners or scouring pads. See "Stainless Steel Maintenance" on page 20.
24. Any mounting hardware / fasteners that are showing signs of corrosion should be replaced.
25. Once the exterior has been thoroughly cleaned, you may want to apply a coating of car wax to help protect against spotting from moisture, dirt, and debris that may accumulate on the surfaces during the Winterization period.

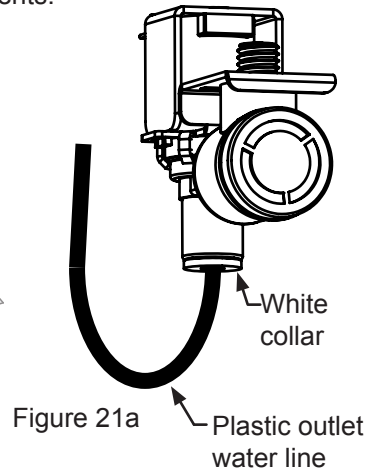


## CARE AND CLEANING AND ENERGY SAVING TIPS



### Start-Up After Long-Term Storage

1. If stored outside, it is recommended that the unit again be thoroughly inspected per the storage instructions above to address any dirt or debris from the weather and/or animals/insects.
2. Connect the unit to electrical power and the water supply.
3. Turn unit on and confirm your desired control settings.
4. Allow 24-hrs for the unit to stabilize before loading contents.



**To disconnect the water outlet line:** Push up on the white collar and pull the plastic water line from the bottom of the water valve.

**To reconnect the water outlet line:** Simply insert the plastic tubing into the white collar and push until it stops (about ½", 12 mm, of water line will enter the valve).

### CAUTION

The water supply to the ice-maker must be turned on prior to turning the ice-maker on. Failure to do so will cause rapid dry cycling of the ice-maker mold heater resulting in temperature control issues in the freezer compartment.

### Energy saving tips

**The following suggestions will minimize the cost of operating your refrigeration appliance.**

1. Do not install your appliance next to a hot appliance (cooker, dishwasher, etc.), heating air duct, or other heat sources.
2. Install product out of direct sunlight.
3. Ensure the front grille vents at front of appliance beneath door are not obstructed and kept clean to allow ventilation for the refrigeration system to expel heat.
4. Plug your appliance into a dedicated power circuit. (Not shared with other appliances).
5. When initially loading your new product, or whenever large quantities of warm contents are placed within refrigerated storage compartment, minimize door openings for the next 12 hours to allow contents to pull down to compartment set temperature.
6. Maintaining a relatively full storage compartment will require less appliance run time than an empty compartment.
7. Ensure door closing is not obstructed by contents stored in your appliance.
8. Allow hot items to reach room temperature before placing in product.
9. Minimize door openings and duration of door openings.
10. Use the warmest temperature control set temperature that meets your personal preference and provides the proper storage for your stored contents.
11. When on vacation or away from home for extended periods, set the appliance to warmest acceptable temperature for the stored contents.
12. Set the control to the "off" position if cleaning the appliance requires the door to be open for an extended period of time.

# STAINLESS STEEL MAINTENANCE OBTAINING SERVICE

## Background

Stainless steel does not stain, corrode, or rust as easily as ordinary steel, but it is not stain or corrosion proof. Stainless steels can discolor or corrode if not maintained properly.

Stainless steels differ from ordinary carbon steels by the amount of chromium present. It is this chromium that provides an invisible protective film on the surface called chrome-oxide. This protective chrome-oxide film on the surface can be damaged or contaminated, which may result in discoloration, staining, or corrosion of the base metal.

## Care & Cleaning

Routine cleaning of the stainless steel surfaces will serve to greatly extend the life of your product by removing contaminants. This is especially important in coastal areas which can expose the stainless to severe contaminants such as halide salts, (sodium chloride).

It is strongly recommended to periodically inspect and thoroughly clean crevices, weld points, under gaskets, rivets, bolt heads, and any locations where small amounts of liquid could collect, become stagnant, and concentrate contaminants. Additionally, any mounting hardware that is showing signs of corrosion should be replaced.

Frequency of cleaning will depend upon the installation location, environmental, and usage conditions.

## Choosing a Cleaning Product

The choice of a proper cleaning product is ultimately that of the consumer, and there are many products from which to choose. Depending upon the type of cleaning and the degree of contamination, some products are better than others.

Typically the most effective and efficient means for routine cleaning of most stainless steel products is to give the surfaces a brisk rubbing with a soft cloth soaked in warm water and a gentle detergent, or mild mixture of ammonia. Rubbing should, to the extent possible, follow the polish lines of the steel, and always insure thorough rinsing after cleaning.

Although some products are called "stainless steel cleaners," some may contain abrasives which could scratch the surface, (compromising the protective chrome-oxide film), and some many contain chlorine bleach which will dull, tarnish or discolor the surface if not completely removed.

After the stainless surfaces have been thoroughly cleaned, a good quality car wax may be applied to help maintain the finish.

## NOTE

Stainless steel products should never be installed, or stored in close proximity to chlorine chemicals.

Whichever cleaning product you chose, it should be used in strict accordance with the instructions of the cleaner manufacturer.

## If Service is Required

- If the product is within the first year warranty period please contact your dealer or call Lynx Grills Customer Service at 888.289.5969 for directions on how to obtain warranty coverage in your area.
- If the product is outside the first year warranty period, Lynx Grills Customer Service can provide recommendations of service centers in your area.
- In all correspondence regarding service, be sure to give the service/model number, serial number, and proof of purchase.
- Try to have information or description of nature of the problem, how long the appliance has been running, the room temperature, and any additional information that may be helpful in quickly solving the problem.
- Table "A" is provided for recording pertinent information regarding your product for future reference.

For Your Records	
Date of Purchase	
Dealer's name	
Dealer's Address	
Dealer's City	
Dealer's State	
Dealer's Zip Code	
Appliance Serial Number	
Appliance Service/Model Number	
Date Warranty Card Sent (Must be within 10 days of purchase).	

Table A

# TROUBLESHOOTING

## Before You Call for Service

If the appliance appears to be malfunctioning, read through this manual first. If the problem persists, check the troubleshooting guide below. Locate the problem in the guide and refer to the cause and its remedy before calling for service. The problem may be something very simple that can be solved without a service call. However, it may be required to contact your dealer or a qualified service technician.



## CAUTION

In the unlikely event you lose cooling in your unit, **do not unplug the product from the electric supply**, but do call a qualified service technician immediately. It is possible that the loss of cooling capacity is a result of excessive frost build-up on the evaporator cooling coil. In this case, removing power to the unit will result in the melting of this excessive quantity of ice, which could generate melt water that exceeds the capacity of the defrost drain system and could result in water damage to your home. The end-user will be ultimately responsible for any water damage caused by prematurely turning the unit off without appropriately managing the excess water run-off.

## NOTE

Your product has an automatic defrost feature that utilizes an electric heater element. Periodically during defrost you may observe the following:

- Water dripping and running sounds as a result of the frost melt.
- Sizzling and popping sounds from water dripping on the heater element.
- A faint reddish glow in the freezer compartment from the electric heater element.

These are all “normal” operating characteristics related to refrigeration product incorporating automatic defrost. They do not represent any product fault or safety issue.



## WARNING

### Electrocution Hazard

- Never attempt to repair or perform maintenance on the appliance until the main electrical power has been disconnected. Turning the appliance control "OFF" does not remove electrical power from the unit's wiring.
- Replace all parts and panels before operating.

Problem	Possible Cause	Remedy
Appliance not cold enough (See "Adjusting the temperature" on page 11)	<ul style="list-style-type: none"> <li>• Control set too warm</li> <li>• Content temperature not stabilized.</li> <li>• Excessive usage or prolonged door openings.</li> <li>• Airflow to front grille blocked.</li> <li>• Door gasket not sealing properly.</li> </ul>	<ul style="list-style-type: none"> <li>• Adjust temperature colder. Allow 24 hours for temperature to stabilize.</li> <li>• Allow temperature to stabilize for at least 24 hours.</li> <li>• Airflow must not be obstructed to front grille. See "clearances" on page 4.</li> <li>• Replace door gasket.</li> </ul>
Appliance too cold (See "Adjusting the Temperature" on page 11)	<ul style="list-style-type: none"> <li>• Control set too cold</li> <li>• Door gasket not sealing properly.</li> </ul>	<ul style="list-style-type: none"> <li>• Adjust temperature warmer. Allow 24 hours for temperature to stabilize.</li> <li>• Replace door gasket.</li> </ul>
No interior light.	<ul style="list-style-type: none"> <li>• Failed LED light assembly or light switch.</li> </ul>	<ul style="list-style-type: none"> <li>• Contact a qualified service technician.</li> </ul>
Light will not go out when door is closed	<ul style="list-style-type: none"> <li>• Door not activating light switch.</li> <li>• Failed light switch</li> </ul>	<ul style="list-style-type: none"> <li>• Appliance not level, level appliance, (See page 4, "leveling legs")</li> <li>• Contact a qualified service technician.</li> </ul>
Noise or Vibration	<ul style="list-style-type: none"> <li>• Appliance not level</li> <li>• Fan hitting tube obstruction.</li> </ul>	<ul style="list-style-type: none"> <li>• Level appliance, see "Leveling Legs" on page 4.</li> <li>• Contact a qualified service technician.</li> </ul>
Appliance will not run.	<ul style="list-style-type: none"> <li>• Appliance turned off</li> <li>• Power cord not plugged in.</li> <li>• No power at outlet.</li> </ul>	<ul style="list-style-type: none"> <li>• Turn appliance on. See "Starting your appliance" on page 10.</li> <li>• Plug in power cord.</li> <li>• Check house circuit.</li> </ul>

## TROUBLESHOOTING OPTIONAL ICE-MAKER

Problem	Possible Cause	Remedy
Unit operates but produces little or no ice.	<ul style="list-style-type: none"> <li>The unit has just been started and it has been less than 24 hours.</li> </ul>	<ul style="list-style-type: none"> <li>Typical ice production is 6 to 7 pounds per day. Allow for the freezer section to reach temperature and the ice-maker to cycle and accumulate ice.</li> </ul>
	<ul style="list-style-type: none"> <li>Water supply is not turned on.</li> </ul>	<ul style="list-style-type: none"> <li>Turn on water supply to the unit.</li> </ul>
	<ul style="list-style-type: none"> <li>Inadequate water pressure to unit.</li> </ul>	<ul style="list-style-type: none"> <li>Water pressure to the unit must be at a minimum of 20 psi.</li> </ul>
	<ul style="list-style-type: none"> <li>The ice-maker shut off arm is in the uppermost / off position.</li> </ul>	<ul style="list-style-type: none"> <li>When the ice-maker shut off arm is in the uppermost position, the ice-maker is off. Flip the shut off arm down to turn on the ice maker.</li> </ul>
	<ul style="list-style-type: none"> <li>Freezer section has not reached temperature.</li> </ul>	<ul style="list-style-type: none"> <li>Allow the freezer section to reach temperature.</li> </ul>
	<ul style="list-style-type: none"> <li>Thermostat control set too warm.</li> </ul>	<ul style="list-style-type: none"> <li>Turn the temperature control to a higher number to allow the unit to run colder. Allow 24 hours before readjusting the temperature control.</li> </ul>
	<ul style="list-style-type: none"> <li>Condenser fan air flow is restricted.</li> </ul>	<ul style="list-style-type: none"> <li>Make certain the grille in front of the unit is free and open for air circulation. Clean grille as required.</li> </ul>
	<ul style="list-style-type: none"> <li>Room and/or water temperature is too warm.</li> </ul>	<ul style="list-style-type: none"> <li>Move the unit to an area where ambient temperature is below 115°F. The unit should not be placed next to a heat source such as an oven. Check for cold water connection.</li> </ul>
Small ice cubes	<ul style="list-style-type: none"> <li>Water input may require adjustment.</li> </ul>	<ul style="list-style-type: none"> <li>Due to differing water pressures, the ice-maker water input may require adjustment. Contact a qualified service technician.</li> </ul>
	<ul style="list-style-type: none"> <li>The water pressure is too low.</li> </ul>	<ul style="list-style-type: none"> <li>The water supply line is kinked.</li> <li>Sediment build-up in supply line.</li> </ul>
Ice cubes are sticking together.	<ul style="list-style-type: none"> <li>Ice consumption is low.</li> </ul>	<ul style="list-style-type: none"> <li>Ice will stick together if stored for long periods of time.</li> </ul>
	<ul style="list-style-type: none"> <li>Hollow ice cubes with liquid centers that break when dispensed into the bucket.</li> </ul>	<ul style="list-style-type: none"> <li>Ice-maker malfunction, call for service.</li> </ul>

## THE LYNX STORY

Lynx began with a vision.

A small group of manufacturing engineers with over a century of collective experience had a dream. They dared to take their extensive commercial manufacturing know-how and create a line of outdoor cooking products that offer commercial elegance and performance to the consumer market.



Lynx has taken the quality, workmanship, service and innovation of the commercial market and incorporated it into the Lynx Professional Grills line of consumer and commercial products. The combination of creative design, superior materials and exceptional craftsmanship elevates Lynx products to a class of their own.

Lynx original commercial products are used every day in restaurants, hotels and theme parks across the USA:

### Lynx Satisfied Customers

- TGI Fridays
- Applebee's
- Houston's
- Red Lobster
- Hard Rock Café
- Wolfgang Puck's
- Cheesecake Factory
- Red Robin
- Planet Hollywood
- Hilton
- Hyatt
- Four Seasons Marriott  
Le Meridian
- Sheraton
- Conrad International
- Bellagio
- New York New York
- MGM Grand
- Treasure Island
- Mirage
- Paris
- Venetian
- Excalibur
- Mandalay Bay
- Riviera
- Desert Inn
- Hard Rock Hotel
- Disney World



The best outdoor kitchen products come from:  
Lynx Grills, Inc. 7300 Flores Street Downey, CA 90242  
Service: (888)-289-5969 Fax: (562) 299-6789  
[www.lynxgrills.com](http://www.lynxgrills.com)



PROFITEZ AU MAXIMUM DE VOTRE



LM24REFC  
RÉFRIGÉRATEUR / CONGÉLATEURS D'EXTÉRIEUR  
ENTRETIEN ET UTILISATION / INSTALLATION

# CONTENU

## Contenu

Informations de sécurité.....	2
Déballage de votre appareil .....	3
Enregistrement de la garantie .....	3
Installation de votre appareil .....	4
Dégagements par rapport à l'armoire .....	4
Mise à niveau de l'appareil .....	4
Raccordement électrique.....	5
Installation de L'alimentation en eau .....	6
Fonctionnement de la fabrication des glaçons .....	7
Dimensions du produit.....	8
Démarrage de votre appareil .....	10
Utilisation de votre commande électronique .....	10
Mode veille .....	10
Mise en marche et arrêt de votre appareil .....	11
Réglage de la température .....	11
Mode température .....	11
Verrouillage des commandes .....	12
Codes d'erreur des capteurs de température .....	12
Alertes.....	12
Porte entrouverte .....	12
Panne de secteur .....	13
Alerte de température .....	13
Mode vacances .....	13
Configurations de étagères .....	14
Enlèvement des étagères .....	15
Entretien et nettoyage .....	16
Conseils pour l'économie d'énergie .....	19
Entretien de l'acier inox .....	20
Obtention de service .....	20
Dépannage.....	21
L'histoire de Lynx .....	23

## Importantes instructions de sécurité

Les avertissements et les instructions de sécurité qui apparaissent dans ce guide n'ont pas la prétention de couvrir toutes les conditions et situations possibles pouvant arriver. Il faut faire preuve de bon sens, de précautions et de soins, pour installer, utiliser ou entretenir cet appareil.

### Reconnaissance des symboles, des mots et des étiquettes concernant la sécurité.

À lire pour éviter des blessures graves voire mortelles..



#### AVERTISSEMENT

**AVERTISSEMENT** - Risque possible de décès ou de blessure grave si vous ne suivez pas les instructions.



#### ATTENTION

**ATTENTION** - Risques ou pratiques dangereuses pouvant entraîner des blessures individuelles, des dégâts matériels ou des dommages au produit.

#### REMARQUE

**REMARQUE** - Information importante pour réaliser une installation et une utilisation sans problèmes.



#### AVERTISSEMENT

**Avvertissements de la proposition 65 de l'État de Californie**  
: Ce produit contient au moins un produit chimique connu par l'État de Californie pour être à l'origine de cancers.



#### AVERTISSEMENT

**Avvertissements de la proposition 65 de l'État de Californie**  
: Ce produit contient au moins un produit chimique connu par l'État de Californie pour être à l'origine de malformations et autres déficiences de naissance.

## DÉBALLAGE DE VOTRE APPAREIL



### AVERTISSEMENT

#### AVERTISSEMENT RISQUE DE POIDS EXCESSIF

Utilisez deux personnes ou plus pour déplacer le produit.  
Sinon vous pourriez vous blesser.

### Enlèvement de l'emballage intérieur

Votre appareil a été emballé pour l'expédition avec toutes les pièces pouvant être endommagées par le mouvement solidement attachées. Enlevez les matériaux d'emballage intérieur et toute bande maintenant des composants intérieurs en place. Le manuel de l'utilisateur est envoyé à l'intérieur de l'appareil dans un sac en plastique, accompagné de la carte d'enregistrement de la garantie, et d'autres articles accessoires.

### Important

Conservez votre carton d'emballage jusqu'à ce que votre appareil ait été complètement inspecté et trouvé en bon état. S'il présentait des dommages, cet emballage serait nécessaire comme preuve qu'ils sont survenus durant le transit. Ensuite veuillez mettre tous ces matériaux d'emballage au rebut d'une façon responsable.



### AVERTISSEMENT

**AVERTISSEMENT** - Jetez bien les sacs en plastique qui représentent un risque de suffocation.

### Note pour le client

Cette marchandise a été soigneusement et complètement inspectée avant de quitter notre usine. La responsabilité pour sa livraison sûre a été assumée par le revendeur à l'acceptation de cette expédition. Les réclamations pour perte ou dommages survenus durant le transit sont à adresser au revendeur.

### REMARQUE

NE RENVOYEZ PAS DE MARCHANDISE ENDOMMAGÉE AU FABRICANT – DÉPOSEZ UNE RÉCLAMATION AUPRÈS DU REVENDEUR.



### ATTENTION

Si l'appareil a été livré, manipulé ou entreposé dans une position autre que debout, pendant une durée quelconque, laissez-le reposer debout pendant au moins 24 heures avant de la brancher électriquement. Cela assurera le retour de l'huile au compresseur. Un branchement immédiat de l'appareil pourrait endommager des parties internes.

### Enregistrement de la garantie

Il est important que vous postiez votre carte d'enregistrement de garantie immédiatement après avoir reçu la livraison de votre appareils, vous pouvez aussi l'enregistrer en ligne sur le site [www.lynxgrills.com/support/registration](http://www.lynxgrills.com/support/registration)

Les informations suivantes seront nécessaires au moment de l'enregistrement de votre appareil:

Numéro de service/modèle

Numéro de série

Date d'achat

Nom et adresse du revendeur

Le numéro de service/modèle et le numéro de série se trouvent sur la plaque signalétique qui est située à l'intérieur de l'armoire, du côté gauche près du haut (Voyez la Figure 1).

LYNX GRILLS, INC DOWNEY, CA 90242	
MODEL NO.	XXXXXXXXXXXXXX
SERVICE NO.	XXXXXXXXXXXXXX
SERIAL NO.	XXXXXXXXXXXXXX
HZ	<input type="checkbox"/>
VOLTS	<input type="checkbox"/>
AMPS	<input type="checkbox"/>
R134A	<input type="checkbox"/>
oz	<input type="checkbox"/>
DESIGN PRESSURES 140 PSI LOW SIDE 300 PSI HIGH SIDE	

Figure 1



### AVERTISSEMENT

#### AVERTISSEMENT - Contribuez à éviter des tragédies

L'emprisonnement d'enfants et leur asphyxie ne sont pas des problèmes du passé. Des épaves de réfrigérateurs abandonnés continuent de présenter un danger - même en restant dehors pour «juste quelques heures».

Si vous devez vous débarrasser de votre vieil appareil de refroidissement, veuillez suivre ces instructions pour aider à éviter des accidents possibles.

Avant de jeter votre vieux réfrigérateur ou congélateur :

- Démontez ses portes ou enlevez ses tiroirs.
- Laissez les étagères en place de façon à ce que des enfants ne puissent pas facilement monter dedans.

# INSTALLATION DE VOTRE APPAREIL

## Choix de l'emplacement

Un bon emplacement assurera une performance de pointe pour votre appareil. Nous recommandons un endroit où l'appareil ne sera pas exposé directement au rayonnement solaire et restera écarté de sources de chauffage. Pour assurer que les performances de votre produit soient au niveau de ses spécifications, la plage de températures recommandée au lieu d'installation sera de 55 à 115°F (13 à 46 °C).

## Dégagements par rapport à l'armoire

Une ventilation est nécessaire depuis la section frontale du bas de l'armoire. Gardez cette zone libre et exempte de toutes obstructions. Des meubles et comptoirs peuvent être installés autour de l'unité de façon adjacente dans la mesure où sa grille frontale restera non obstruée. Les modèles à revêtement de porte avec charnières articulées sont prévus pour des applications encastrées uniquement.

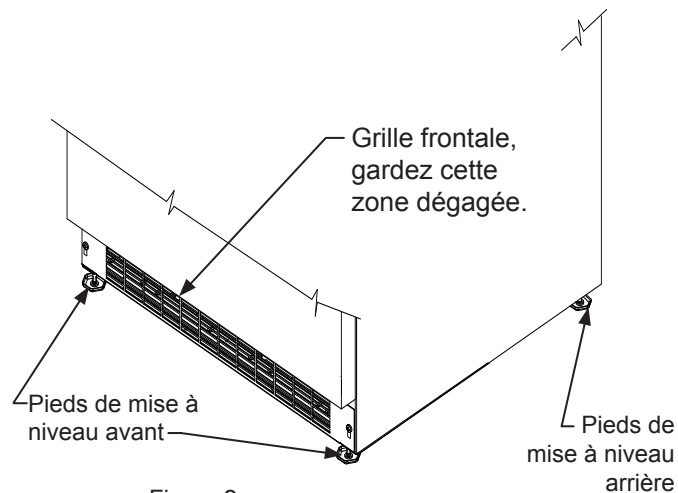


Figure 2

## Pieds de mise à niveau

Des pieds réglables aux angles avant et arrière de l'armoire doivent être ajustés pour qu'elle soit fermement positionnée au sol et bien d'aplomb, d'un côté à l'autre et d'avant en arrière. La hauteur totale de votre appareil peut être ajustée entre le minimum 33 $\frac{3}{4}$  po (85,7 cm) (en vissant les pieds de mise à niveau CW ↻) et le maximum 34 $\frac{3}{4}$  po (88,3 cm) (en dévissant les pieds de mise à niveau CCW ↻) des.

Pour régler ces pieds de mise à niveau, placez l'appareil sur une surface solide, en protégeant le sol en dessous pour ne pas le rayer. Avec l'aide d'une autre personne, inclinez vers l'arrière de l'appareil pour accéder aux pieds de mise à niveau de l'avant. Levez ou abaissez ces pieds à la hauteur requise en les tournant. Répétez la procédure pour les pieds arrière en inclinant le cave à vin vers l'avant en faisant attention. Sur une surface plane, vérifiez le niveau de l'appareil et ajustez les pieds en conséquence.

Les vis de la grille frontale peuvent être desserrées et la grille ajustée à la hauteur voulue. Quand le réglage est fait resserrez les vis de la grille frontale (Voyez la Figure 5).



**ATTENTION**

## Grille frontale

N'obstruez pas la grille frontale. Les ouvertures au travers de la grille frontale permettent l'écoulement de l'air par l'échangeur thermique du condenseur. Des restrictions de ce flux d'air vont augmenter la consommation d'énergie et affecter sa capacité de refroidissement. C'est pourquoi il est important que cette zone ne soit pas obstruée et soit maintenue propre. Lynx Grills recommande de ne pas utiliser de grilles personnalisées, car l'écoulement d'air en serait diminué (Voyez la Figure 2).

## INSTALLATION DE VOTRE APPAREIL

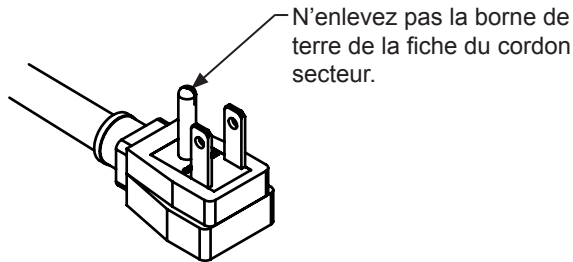


Figure 3

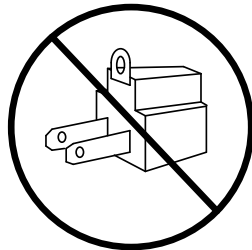


Figure 4

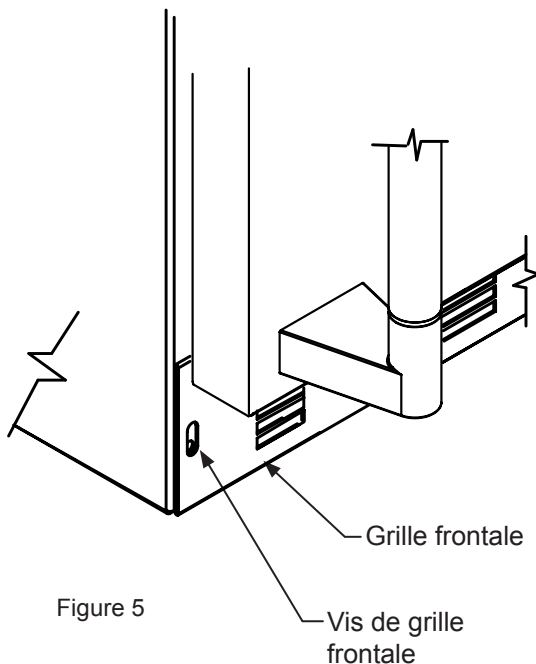


Figure 5

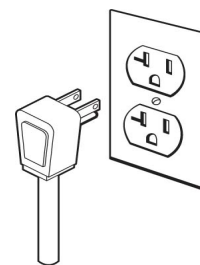


Figure 6



### AVERTISSEMENT

#### Risque de commotion électrique

- N'utilisez pas de rallonge secteur avec cet appareil. Cela peut être dangereux et peut affecter la performance du produit.
- Cet appareil ne doit sous aucun prétexte être installé sur une alimentation électrique sans liaison de terre.
- N'enlevez pas la borne de terre de la fiche du cordon secteur. (Voyez la Figure 3).
- N'utilisez pas d'adaptateur entre fiche et prise. (Voyez la Figure 4).
- N'envoyez pas d'eau par éclaboussure ou par jet d'un tuyau sur l'appareil. Cela pourrait causer une commotion électrique, entraînant potentiellement des blessures graves voire mortelles.

### Raccordement électrique

Un circuit secteur dédié en 115 V supportant 15 A est nécessaire.

Ce produit est équipé en usine d'un cordon secteur comportant une fiche avec terre à trois broches. Il faut la brancher dans une prise secteur correspondante avec terre, en conformité avec la norme électrique américaine et les normes et réglementations locales applicables (Voyez la Figure 6). Si le circuit ne comporte pas une prise avec terre, le client doit en fournir une adéquate; c'est sa responsabilité et son obligation. La troisième broche de terre ne doit en aucun cas être coupée ou enlevée.

### REMARQUE

Un disjoncteur sur détection de courant de fuite (GFCI) a tendance à provoquer des déclenchements intempestifs qui peuvent arrêter l'appareil. Ce type de protection n'est en général pas utilisé sur de l'équipement électrique qui doit tourner sans surveillance pendant de longues périodes, sauf si c'est imposé par les normes de construction et réglementations locales.

## BRANCHEMENT DE L'ARRIVÉE D'EAU MODÈLE AVEC KIT DE MACHINE À GLAÇONS OPTIONNEL

### REMARQUE

Un kit de machine à glaçons optionnel (référence de pièce S42418151) est disponible pour le modèle LM24REFC, qui inclut toutes les pièces nécessaires pour l'installation. Ce kit peut être obtenu via le service à la clientèle de Lynx Grills en appelant le 888-289-5969.

### Alimentation en eau



### ATTENTION

Respectez et observez toutes les normes locales pour l'installation de cet appareil.

Utilisez du tube de cuivre de ¼ po pour votre arrivée d'eau, disponible localement dans toute quincaillerie ou magasin de fournitures de plomberie. Formez le tuyau de cuivre de ¼ po en fonction des besoins de votre installation, en prenant soin de ne pas le pincer. Achetez suffisamment de tube en cuivre et enroulez-le derrière l'appareil pour former une «boucle pour interventions de service», qui permettra que l'appareil soit tiré et sorti à des fins de dépannage ou de nettoyage. Connectez le tube en cuivre sur la partie haute d'un tuyau d'arrivée d'eau froide, pour éviter que la machine à glaçons ne s'obstrue avec des sédiments.

Une vanne de coupure est recommandée sur la conduite d'alimentation en eau pour faciliter les interventions sur l'appareil. **REMARQUE : UNE VANNE DE TYPE À AUTO-PERÇAGE N'EST PAS RECOMMANDÉE** car elle est susceptible d'obstruction avec des sédiments qui causerait une chute de pression et réduirait l'alimentation en eau de l'appareil.

Connectez la tubulure en cuivre d'alimentation en eau sur entrée de la vanne d'eau avec le raccord à écrou de compression fourni. Fixez la conduite d'arrivée d'eau sur l'arrière de l'armoire avec la vis et le collier fournis à l'angle du panneau arrière (Voyez la Figure 7).

La pression de l'eau doit faire au moins 20 psi pour un bon fonctionnement, avec un maximum de 120 psi.

Assurez-vous que toutes les connexions d'eau sont étanches après l'installation. Formez le tube de façon à ce qu'il ne vibre pas contre le corps de l'armoire ou ne s'écrase pas quand la machine est poussée en place.

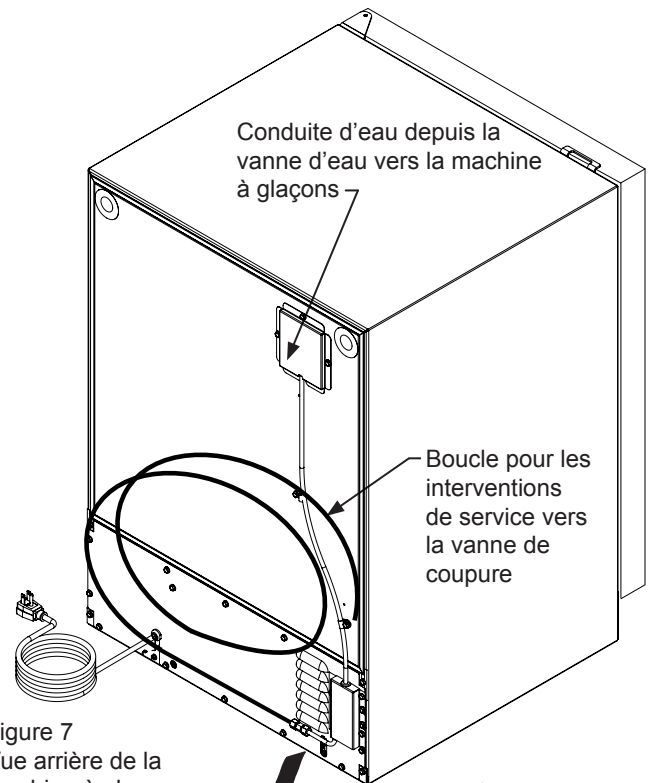
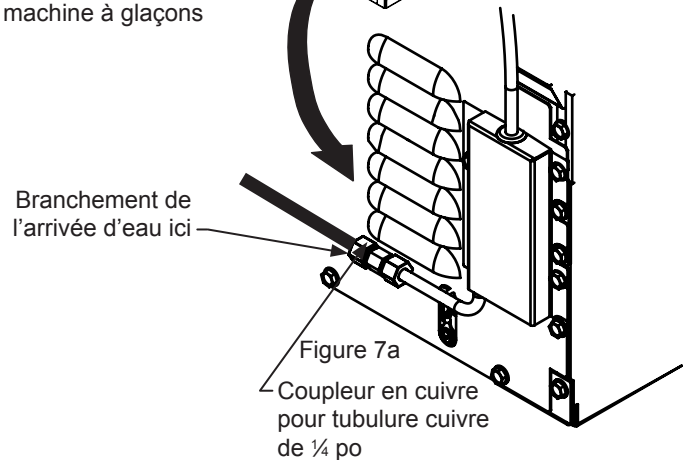


Figure 7  
Vue arrière de la machine à glaçons



### REMARQUE

- N'utilisez aucun produit d'étanchéification des filetages sur les raccords de conduite d'eau.
- De l'eau adoucie par osmose inversée ou dé-ionisée n'est pas recommandée car cela pourrait affecter la qualité des glaçons.

## FONCTIONNEMENT DE LA FABRICATION DES GLAÇONS



### ATTENTION

L'alimentation en eau de la machine à glaçons doit être ouverte avant de mettre la machine à glaçons en marche. Ne pas le faire causerait rapidement un cycle à sec du réchauffeur de moulage ce qui entraînerait des problèmes de contrôle thermique dans le compartiment de congélation.

### Fonctionnement de la fabrication des glaçons

- L'appareil doit être installé bien d'aplomb pour le bon fonctionnement de la production des glaçons.
- La tige du bras de coupure doit être abaissée en position la plus basse pour que la production de glaçons soit possible. (Voyez la Figure 8).
- Quand la section de congélation et de fabrication de glaçons a suffisamment refroidi, la machine va produire automatiquement des glaçons.
- Quand le bac à glaçons est plein, la machine à glaçons s'arrêtera automatiquement.
- Vous pouvez aussi arrêter manuellement la machine en relevant le bras de coupure en position de verrouillage tout en haut. (Voyez la Figure 8).

### REMARQUE

Il est recommandé que la machine à glaçons soit coupée en enlevant le bac, sinon des glaçons seront distribués sur le plancher du compartiment de congélateur.

Si les glaçons ne sont pas prélevés régulièrement, ils auront tendance à s'agglomérer dans le temps. Pour obtenir les meilleurs résultats, jetez les vieux glaçons produits et laissez la machine à glaçons en produire un nouveau lot de tout frais. Coupez la machine à glaçons en relevant le bras de coupure avant d'enlever le bac.

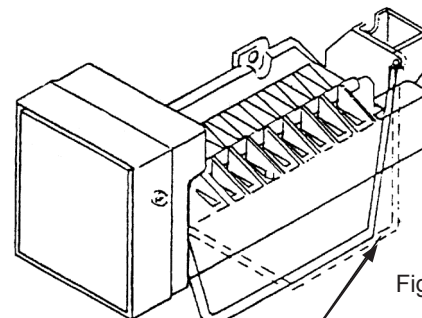


Figure 8

Bras baissé = machine  
activée

Bras relevé = machine arrêtée

## DIMENSIONS DU PRODUIT

MODÈLE	DIMENSIONS D'OUVERTURE BRUTE			DIMENSIONS D'ARMOIRE					
	«A»	«B»	«C»	«D»	«E»	«F»	«G»	«H»	«J»
LM24REFC	24po (61 cm)	**34 po à 35 po (86,4 à 88,9 cm)	*	23 <sup>7</sup> / <sub>8</sub> po (60,7 cm)	33 <sup>3</sup> / <sub>4</sub> po à 34 <sup>3</sup> / <sub>4</sub> po (85,7 à 88,3 cm)	23 <sup>23</sup> / <sub>32</sub> po (60,2 cm)	26 <sup>3</sup> / <sub>4</sub> po (67,9 cm)	46 <sup>13</sup> / <sub>32</sub> po (117,9 cm)	26 <sup>3</sup> / <sub>4</sub> po (67,9 cm)

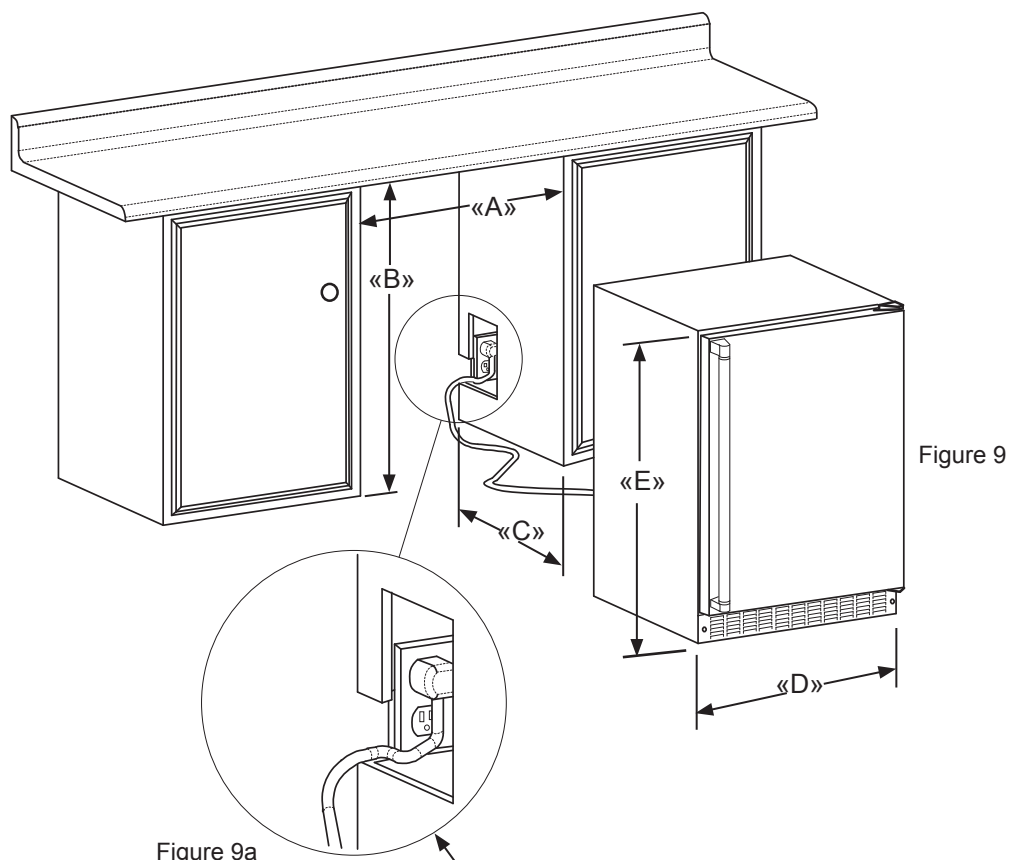


Figure 9a

S'il est nécessaire de gagner du dégagement à l'intérieur de l'ouverture brute, un trou peut être percé au travers du meuble adjacent et le cordon d'alimentation passé par ce trou jusqu'à une prise secteur. Une autre façon d'augmenter la profondeur disponible dans l'ouverture est d'encaster la prise secteur dans le mur arrière afin de gagner l'épaisseur de la fiche du cordon.

Tous les types de prises secteur encastrées ne fonctionneront pas pour cette application car elles pourraient être trop étroites, mais un modèle équivalent à l'Arlington #DVFR1W est recommandé pour cette application (Voyez la Figure 10).

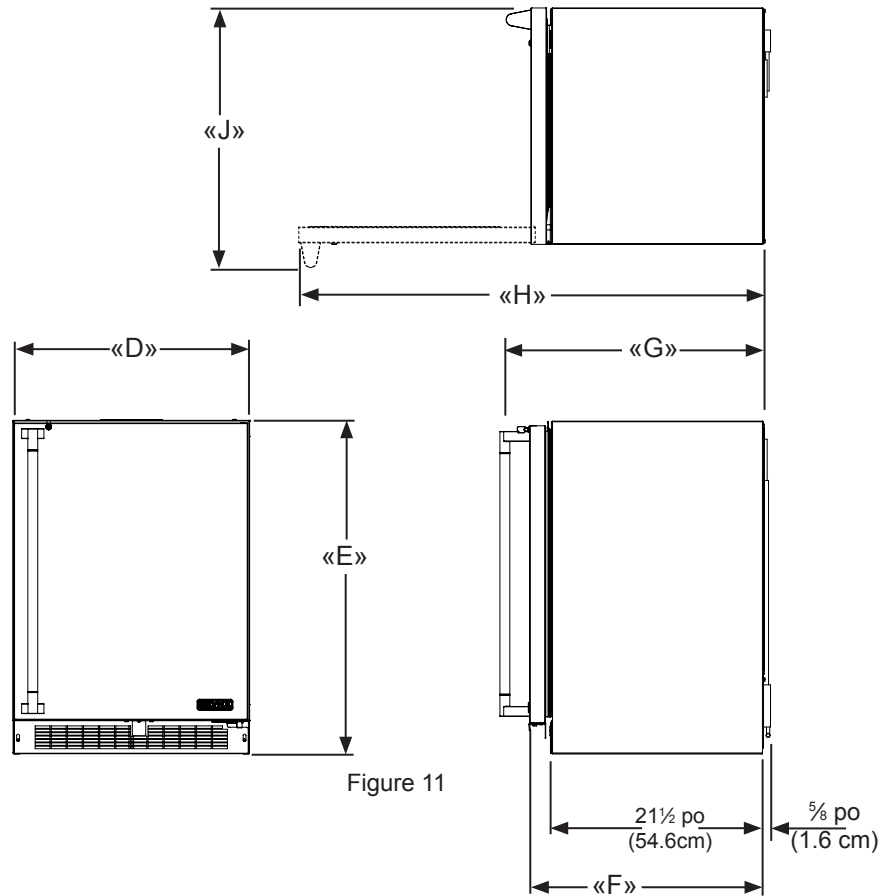


Figure 10



## DIMENSIONS DU PRODUIT

DONNÉES DE PRODUIT		
MODÈLE	BESOINS ÉLECTRIQUES #	POIDS DU PRODUIT
LM24REFC	115V/60Hz/15A	140 lb (63,6 kg)



\* La dimension en profondeur de l'ouverture brute peut varier selon chaque installation individuelle. Pour ne pas faire dépasser toute la porte, la dimension «F» plus plus 1 po (2,5 cm) pour l'épaisseur de la fiche du cordon secteur est nécessaire.

\*\* L'ouverture brute minimale nécessaire doit être supérieure à la hauteur ajustée de l'armoire.

# Un circuit secteur dédié avec liaison de terre supportant 15 A est nécessaire. Appliquez toutes les normes de construction locales à l'installation de l'électricité et de l'appareil.

## DÉMARRAGE DE VOTRE APPAREILS



### Démarrage de votre appareils

Branchez la prise du cordon d'alimentation du appareil dans une prise murale de secteur 115 V. Votre appareil sort de l'usine en position de marche (ON) et va commencer le refroidissement dès sa mise sous tension. Si l'appareil ne démarre pas, vérifiez que la prise murale est alimentée et que la commande est bien en position de marche (ON). Voyez la partie «Mise en marche et arrêt de votre appareil».

L'afficheur de votre commande est protégé d'un film transparent en plastique. Ce film doit être ôté en le pelant soigneusement à partir d'un angle.

Au démarrage initial, l'afficheur du contrôle montre une alerte «Panne secteur». C'est une condition normale, car le appareil a été alimenté en usine pour l'inspection de qualité et a été débranché. Un appui momentané sur la touche M/A (ON/OFF) va effacer cette condition d'alerte. (Voyez la section sur les alertes en page 12).

## REMARQUE

Votre produit comporte d'une fonction de dégivrage automatique qui utilise un élément de chauffage électrique. Périodiquement pendant le dégivrage vous pouvez observer la suivant:

- Des sons de l'eau gouttant et coulant causés par le fondant du givre.
- Les grésillements et les craquements des gouttes d'eau tombant sur l'élément chauffant.
- Une faible lumière rougeâtre dans le compartiment congélateur venant de l'élément de chauffage électrique.

Ceux sont toutes des caractéristiques «normales» de fonctionnement liés aux produits de réfrigération incorporant dégivrage automatique. Ils ne représentent pas un défaut du produit ni une question de sécurité.

### Utilisation de votre commande électronique



### Mode veille

Si aucune commande n'est actionnée pendant 60 secondes, l'afficheur va passer en mode veille pour économiser l'énergie. Le panneau de commande va s'éteindre à l'exception de l'indicateur de statut de système «OK» qui va rester activé. D'éventuelles conditions d'alerte vont réveiller l'afficheur (Voyez les alertes en page 12).

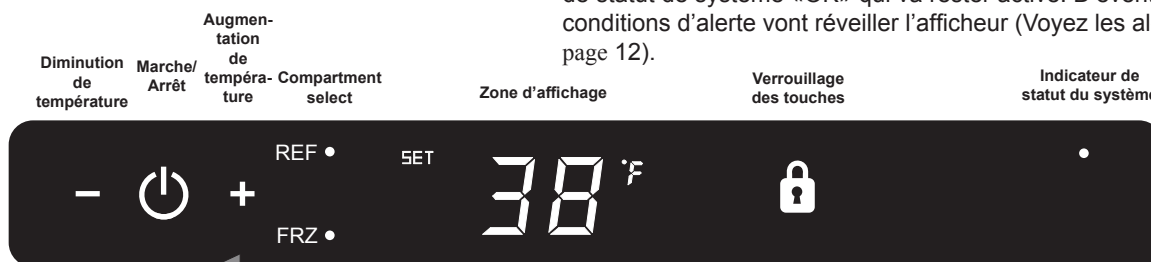


Figure 12a  
Commandes électroniques

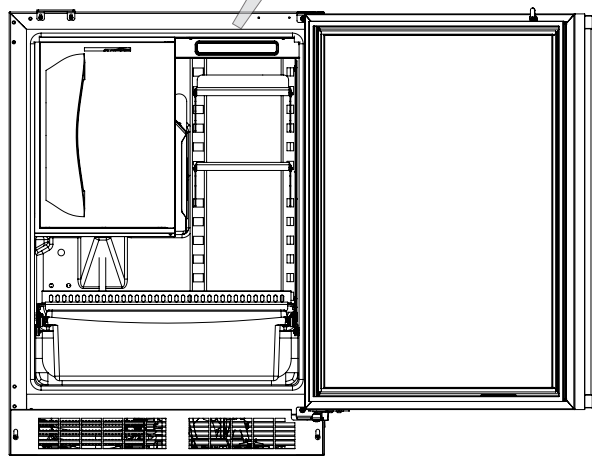


Figure 12

**Afin d'effectuer les changements entre parenthèses à la configuration de commandes (mise en marche ou arrêt, réglage de température de consigne, changement des éclairages d'intérieur, activation du mode vacances), la commande doit être réveillée.**

Pour activer l'affichage, appuyez sur n'importe quelle touche. Un signal sonore de confirmation retentira, et la température actuelle du compartiment de conservation sera affichée.



Le mode veille peut être désactivé si vous préférez obtenir un affichage continu. Appuyez sur la commande de verrouillage (symbole de verrouillage) jusqu'à ce que l'afficheur quitte «Loc» et montre «nSL». Pour activer le mode de veille, répétez la même opération, jusqu'à ce que l'afficheur quitte «Loc» et montre «SLP».

## UTILISATION DE VOTRE COMMANDE ÉLECTRONIQUE



### Passage de l'appareil en marche ou arrêt

Si l'appareil est en marche (ON), et n'est pas en mode veille, la température sera montrée dans la zone d'affichage de la commande. Pour arrêter l'appareil, appuyez sur le bouton «ON/OFF» en le maintenant enfoncé pendant (4) secondes. «OFF» sera maintenant affiché à la commande.



Pour remettre l'appareil en marche (ON), appuyez sur le bouton «ON/OFF» en le maintenant enfoncé pendant (4) secondes.

### Réglage de la température

#### REMARQUE

Le fait de charger des produits encore un peu chauds peut déclencher l'alerte de température (Voyez en page 13 pour cette alerte). Selon la quantité et/ou le poids de ces produits chauds, la stabilisation de la température interne du compartiment peut prendre jusqu'à 48 heures.

Quand vous effectuez des changements de point de consigne, cela peut prendre 24 heures pour que les denrées conservées se stabilisent à cette nouvelle température.

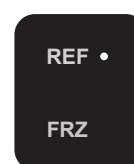
Certains facteurs affectent la température stabilisée du compartiment de conservation :

- Changements de consigne de température.
- Changements de température ambiante de la pièce.
- Température des denrées du appareil.
  - Chargement de nouvelles denrées plus chaudes.
  - Un contenu chargé froid va retarder le passage à une température de consigne plus chaude.
  - Un contenu chargé chaud va retarder le passage à une température de consigne plus froide.
- Habitudes d'utilisation (nombre et durée des ouvertures de porte).
- Installation du appareil à la lumière solaire directe ou près d'une source de chaleur.

Compartiment  
congélateur  
sélectionné



Compartiment  
réfrigérateur  
sélectionné



Les températures peuvent être définies individuellement pour chaque compartiment (réfrigérateur ou congélateur / machine à glaçons). Pour cela vous devez d'abord activer la zone pour laquelle vous voulez fixer la température.

Vous le faites en appuyant sur le bouton de réfrigérateur (REF) ou de congélateur (FRZ) sur l'afficheur. Après cela le voyant DEL sera éclairé pour la zone activée concernée.



Pour changer le point de consigne de température pour une zone particulière (avec la commande électronique sortie de son mode veille), appuyez sur les touches «-» ou «+». «SET» (Réglage) sera indiquée sur le panneau d'interface utilisateur et la consigne actuelle de température sera affichée et clignotera. Des appuis sur les touches «-» ou «+» par la suite abaisseront ou élèveront respectivement la consigne. Quand vous avez atteint la valeur de consigne de température que vous désiriez, appuyez sur la commande M/A (On/Off) pour valider, ou si vous ne faites rien le mode de réglage va se désactiver 10 secondes après, et la température affichée sera prise comme le prochain point de consigne.

La plage de température pour le point de consigne acceptable pour votre appareil va de -6°F (-21 °C) à 6°F (-14 °C) pour le compartiment congélateur, et de 34°F (1,2 °C) to 42°F (5,7 °C) pour le compartiment réfrigérateur. Si vous essayez de régler la consigne hors de cette plage vous recevrez une notification de refus sonore.



### Mode d'affichage de température

Le mode de température est pré-réglé en usine pour degrés Fahrenheit (°F), mais vous avez l'option de commuter l'affichage en degrés Celsius (°C). Pour changer de mode d'affichage, actionnez et maintenez appuyée la commande «-» tout en appuyant sur la commande «+», puis relâchez seulement la commande «-». L'affichage de température se fera maintenant en degrés Celsius (°C). Répétez la même procédure pour revenir à un affichage de température en degrés Fahrenheit (°F).

## UTILISATION DE VOTRE COMMANDE ÉLECTRONIQUE



### Alertes

La commande va vous alerter en cas de conditions pouvant nuire à la performance de l'appareil.

### Verrouillage des commandes

Le panneau de commandes peut être verrouillé pour éviter des changements inopinés. Pour verrouiller les commandes, actionnez la commande de verrouillage (Lock) et maintenez-la appuyée jusqu'à ce que l'afficheur montre «Loc», puis immédiatement relâchez l'appui. L'icône de verrou va clignoter trois fois puis rester allumée. Quand le panneau de commandes est verrouillé seulement la commande de verrouillage (Lock), l'indicateur de statut de système OK et l'indicateur d'alerte restent activés. Pour déverrouiller le panneau de commandes, recommencez la même séquence jusqu'à ce que l'afficheur montre «nLc». Puis immédiatement relâchez l'appui.



- **Porte entrouverte** - Si la porte reste ouverte ou incorrectement fermée, pendant plus de 5 minutes, l'indicateur de statut de système OK va s'éteindre, l'indicateur de porte entrouverte (Door Ajar) va clignoter et une tonalité va retentir toutes les 60 secondes. De plus, un indicateur de restauration d'alerte (ALARM RESET) va être affiché sous la commande M/A (On/Off).

### REMARQUE

Si le verrouillage des commandes est active (l'icône de verrouillage illuminée), il faut déverrouiller la commande avant qu'on puisse utiliser la touche pour restaurer une alerte. Voir page 12 (Verrouillage des commandes) pour les instructions de déverrouillage de la commande.

### REMARQUE



L'alarme sonore peut être désactivé, pour chaque événement, en appuyant sur la commande de verrouillage (Lock).

Cette alerte peut être supprimée en fermant la porte, ou en appuyant brièvement sur la commande M/A (par exemple quand vous êtes en train de nettoyer le compartiment de conservation). Mais l'alerte va se réactiver après 5 minutes si la condition anormale persiste.

### Codes d'erreur des capteurs de température

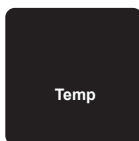
Les capteurs de température sont surveillés en permanence. Une condition de coupure (OPEN) ou de court-circuit (SHORTED) générera un CODE D'ERREUR tel que ceux qui suivent :

Codes d'erreur des capteurs de température			
Capteur	Code affiché	Description de l'erreur	Action à prendre
Capteur de température du réfrigérateur		Panne de capteur de température dans le compartiment du réfrigérateur. Cela peut amener à des températures non souhaitées pour la conservation des vins et/ou à gâcher des denrées périssables.	Demandez une intervention de service pour remplacer ce capteur de température. Enlevez tous les articles périssables du compartiment pour empêcher de gâtant.
Capteur de température du congélateur		Panne de capteur de température dans le compartiment du congélateur. Cela peut amener à des températures non souhaitées pour la conservation des vins et/ou à gâcher des denrées périssables.	Demandez une intervention de service pour remplacer ce capteur de température. Enlevez tous les articles périssables du compartiment pour empêcher de gâtant.
Capteur du dégivrage		Panne du capteur de température de dégivrage. Cela cause un dégivrage incorrect de l'appareil et peut créer une forte accumulation de givre. Il peut s'ensuivre un dégât des eaux au niveau de l'appareil et du plancher alentour.	Débranchez immédiatement le cordon d'alimentation et demandez une intervention de service pour remplacer ce capteur de dgivrage.

## UTILISATION DE VOTRE COMMANDE ÉLECTRONIQUE



- **Panne de secteur** - Si l'alimentation du appareil est interrompue l'indicateur de statut de système OK va s'éteindre, et l'indicateur de panne secteur (Power Failure) va clignoter. De plus un indicateur de restauration d'alerte (ALARM RESET) va être affiché sous la commande M/A (On/Off). Il n'y aura pas de signalisation sonore. La condition d'alerte peut être supprimée momentanément en appuyant sur la commande M/A (On/Off). Si cette alerte se produit, il est recommandé que vous contrôliez la situation de toutes les denrées périssables, même si l'appareil fonctionne de nouveau normalement et que la température soit revenue au niveau de la consigne, car des cessations d'alimentations prolongées peuvent amener des écarts excessifs de température interne pouvant affecter des denrées périssables.



- **Alerte de température** - Si la température du compartiment de conservation dévie excessivement du point de consigne pour une période de temps prolongée, l'indicateur (Temp) clignotera et un signal sonore retentira toutes les 60 secondes. De plus, un indicateur (ALARM RESET) sera affiché sous la commande M/A (On/Off).

### REMARQUE

Après une condition d'alerte de température trop haute, vérifiez toutes les denrées périssables pour assurer qu'elles sont sûres pour la consommation.

### REMARQUE

L'alerte de température peut survenir s'il y a une utilisation intensive, ou si des produits chauds sont chargés dans le compartiment de conservation. Si l'alerte de température continue à se produire, votre appareil peut exiger le service.

### REMARQUE



L'alarme sonore peut être désactivé, pour chaque événement, en appuyant sur la commande de verrouillage (Lock).

La condition d'alerte peut être supprimée momentanément en appuyant sur la commande M/A (On/Off). Si cette alerte se produit, il est recommandé que vous contrôliez la situation de toutes les denrées périssables, même si l'appareil fonctionne de nouveau normalement et que la température soit revenue au niveau de la consigne, car des cessations d'alimentations prolongées peuvent amener des écarts excessifs de température interne pouvant affecter des denrées périssables.

### REMARQUE

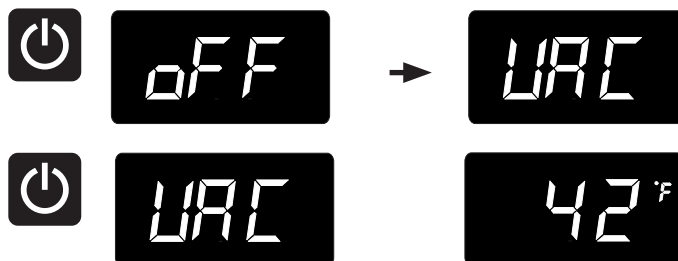
Door Ajar  
Temp

Des alertes multiples sont possibles, par exemple la porte restée entrouverte longtemps peut entraîner une alerte de température, dans ce cas les deux indicateurs «Door Ajar» et «Temp» seront activés en même temps.

### Mode de vacances

Ce mode de fonctionnement peut être utilisé pour économiser de l'énergie durant les périodes où elle est la plus coûteuse, ou si vous n'utilisez pas votre appareil pendant une période prolongée, en désactivant ses éclairages, tonalités d'alerte, et sonorités d'actionnement des commandes. Ce mode vacances peut aussi servir comme mode pour la période de Shabbat, avec les désactivations prescrites dans la période en fin de semaine pour la communauté juive. Dans ce mode de Shabbat, vous pouvez ouvrir et refermer la porte n'importe quand pour accéder au contenu, sans avoir à directement allumer ou éteindre d'éclairage, et sans activation d'affichages numériques, d'électrovannes, de ventilateurs, de vannes, de compresseur, d'icônes, tonalités ou alertes.

Quand ce mode est activé, l'afficheur, les indicateurs visuels et sonores d'alerte, les tonalités à l'actionnement de commandes, l'éclairage intérieur et toutes les options sont désactivés. Toutes les commandes de fonctions sont inopérantes sauf la commande M/A (On/off) qui est nécessaire pour la sortie de ce mode vacances. Les températures du compartiment de conservation sont surveillées et gérées selon les réglages avant d'entrer en mode vacances.



Pour entrer dans le mode vacances (avec le commande réveillée), actionnez et maintenez appuyée la commande M/A (On/Off) jusqu'à ce que l'afficheur passe de «OFF» à «VAC». L'afficheur va faire clignoter «VAC» trois fois pour accuser réception de votre demande, puis montrer «VAC» en fixe jusqu'à la sortie de ce mode vacances. Une coupure d'alimentation ne vous fait pas sortir du mode vacances, le changement de mode ne peut se faire que manuellement. Pour sortir du mode vacances et revenir en fonctionnement normal, actionnez et maintenez appuyée la commande M/A (On/Off) jusqu'à ce que l'afficheur montre la température.

## CONFIGURATIONS DE ÉTAGÈRES

### Réfrigérateur / Congélateur de 24 po (61 cm) de large, voir la Figure 13 :

#### Réfrigérateur :

- (2) Étagère en verre de demi-largeur en porte-à-faux réglable, voir la Figure 14
- (1) Étagère en verre de largeur complète en position fixe
- (1) Bac à légumes transparent sur glissières

#### Congélateur :

- (1) Étagère métallique en position fixe, voir la Figure 15

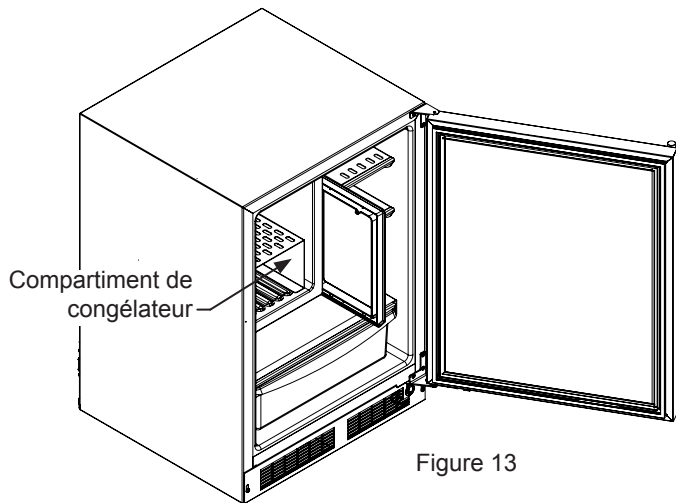


Figure 13

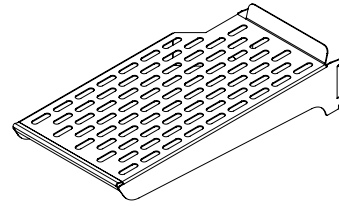


Figure 14

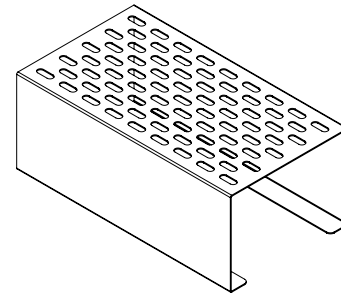


Figure 15  
Étagère de congélation

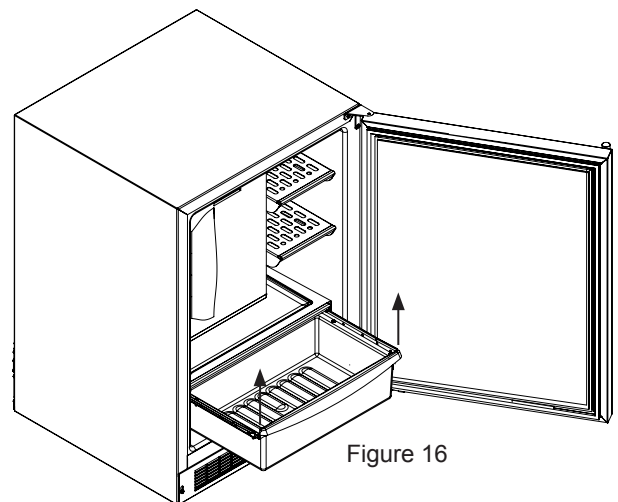


Figure 16

#### Pour ôter le bac à légumes :

Tirez-le jusqu'à ce qu'il s'arrête. Levez l'avant du bac, et dégagez-le du logement.

## ENLÈVEMENT DES ÉTAGÈRES

### Pour ajouter ou enlever une étagère

Enlevez les produits qui étaient entreposés sur la étagère. N'essayez pas d'enlever du réfrigérateur/congélateur une étagère restée chargée. Prenez le devant de la étagère des deux mains, faites pivoter son avant vers le haut et enlevez-la (Voyez la Figure 17a). Pour installer une étagère, insérez-la dans le réfrigérateur/congélateur et mettez ses crochets dans les fentes des supports de étagère, puis laissez retomber la étagère de façon à ce que ses crochets chutent sur le bas des supports.



### ATTENTION

Assurez-vous que votre étagère en porte-à-faux est bien en place sur les supports en appuyant dessus avant de la charger.

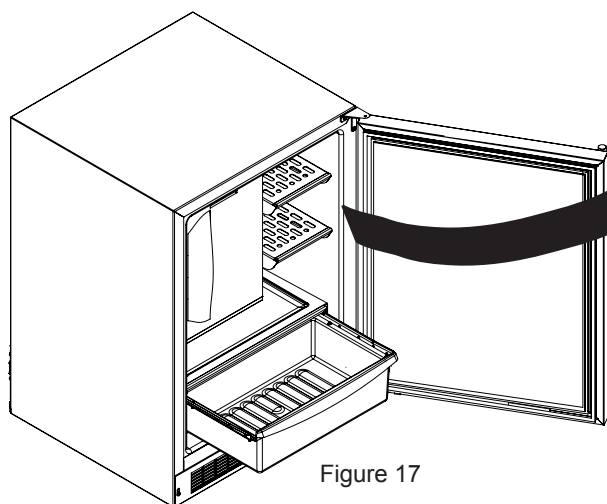


Figure 17

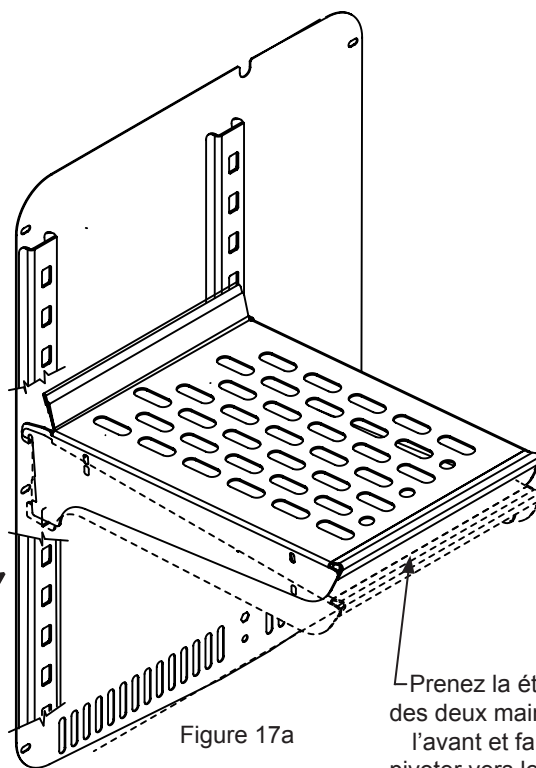


Figure 17a

Prenez la étagère des deux mains par l'avant et faites-la pivoter vers le haut, puis soulevez-la et sortez-la de ses accrochages.



### ATTENTION

N'essayez jamais de bouger une étagère chargée, évacuez tout ce qu'elle porte avant de la déplacer. Utilisez vos deux mains pour déplacer une étagère.

## L'ENTRETIEN ET LE NETTOYAGE

### Grille frontale

Assurez-vous que rien n'obstrue les ouvertures pour flux d'air requises à l'avant de l'armoire. Au moins une à deux fois par an, chassez par brosseage ou par aspiration les peluches et les saletés dans la zone de la grille avant (Voyez en page 4).



### ATTENTION

**RISQUE DE COMMOTION ÉLECTRIQUE :** Débranchez l'alimentation secteur de l'appareil avant de le nettoyer à l'eau savonneuse.

### Armoire

L'armoire peinte peut se laver avec une solution savonneuse douce, puis soigneusement se rincer à l'eau potable. N'utilisez JAMAIS de produits nettoyants abrasifs.

### Intérieur

Lavez le compartiment intérieur avec une solution savonneuse douce. N'utilisez pas de nettoyant abrasif, de solvant, de produit nettoyant/polissant ou de détergent non-dilué.

### Soins pour l'appareil

1. Évitez de vous appuyer sur la porte, vous pourriez déformer ses charnières ou faire basculer l'appareil.
2. Faites attention quand vous balayez, aspirez ou passez la vadrouille près de l'avant de l'appareil. Vous pourriez endommager sa grille.
3. Nettoyez périodiquement l'intérieur de l'appareil selon le besoin.
4. Vérifiez périodiquement la grille frontale et les serpentins de condenseur, et nettoyez-les si nécessaire.

### En cas de coupure du secteur

Si une panne d'alimentation arrivait, essayez de la corriger le plus tôt possible. Minimisez le nombre d'ouvertures de porte pendant la coupure du secteur afin de ne pas affecter la température dans l'appareil.

### Remplacement de l'ensemble d'éclairage

Tous les modèles utilisent de lampes à diodes électroluminescentes (DEL) pour éclairer l'intérieur de l'appareil. Ce type de composant est très fiable, mais en cas de panne contactez un technicien de service qualifié pour le remplacement de l'éclairage à DEL.

### Entreposage de longue durée / préparation à l'hivernage

1. C'est le moment de préparer à l'hivernage quand le minimum de température ambiante descend sous les 38°F (3,3 °C)
2. Arrêtez l'appareil (voir en page 11).



### ATTENTION

Faire fonctionner l'appareil à des températures inférieures à ce seuil d'hivernage recommanderait annulerait la garantie.

3. Videz tous son contenu.
4. Si nécessaire, déplacez l'appareil pour avoir accès à son arrière.
5. Débranchez l'appareil de sa prise secteur.
6. Il est également recommandé que l'alimentation de la prise secteur soit coupée en amont si elle ne doit pas servir pour d'autres appareils pendant cette période d'hivernage.
7. Pendant le nettoyage d'un ensemble faites particulièrement attention à toutes les fissures ou crevasses pouvant avoir accumulé de la saleté et des débris.
8. Enlevez la grille de protection frontale (voir les Figure 18), et utilisez une brosse et un aspirateur pour éliminer la saleté et les débris de sous l'appareil.
9. Nettoyez soigneusement cette grille de protection et réinstallez-la sur l'appareil.
10. Enlevez le couvercle d'accès arrière (voir la Figure 19), et utilisez une brosse et un aspirateur pour éliminer la saleté et les débris du compartiment de la machine.
  - Si le bac en plastique de drainage du dégivrage sous le compresseur contient de l'eau, utilisez une éponge pour en éliminer le plus possible.
11. Nettoyez soigneusement ce couvercle d'accès arrière et réinstallez-le sur l'appareil.
12. Nettoyez toutes les surfaces de l'intérieur avec un produit nettoyant antibactérien, et poursuivez par un rinçage à l'eau claire pour éliminer tous les résidus de produits chimiques qui pourraient tacher. N'utilisez pas de produits nettoyants abrasifs ni de tampons à récurer.
13. Laissez la porte ouverte et attendez le séchage complet avant de la refermer.
14. Nettoyez bien le joint de porte avec un produit nettoyant antibactérien, et poursuivez par un rinçage à l'eau claire pour éliminer tous les résidus de produits chimiques.
15. Nettoyez soigneusement l'extérieur avec un produit nettoyant approuvé pour l'acier inox. N'utilisez pas de produits nettoyants abrasifs ni de tampons à récurer. Voir «entretien de l'acier inox» page 20.
16. Tout matériel de montage ou d'attache présentant des signes de corrosion doit être remplacé.
17. Une fois l'extérieur bien nettoyé, vous pouvez désirer passer une couche de cire automobile pour protéger des taches venant d'humidité, salissures et débris pouvant s'accumuler sur les surfaces pendant la période d'hivernage.
18. Ne placez de couverture sur l'appareil, car cela pourrait emprisonner de la condensation.

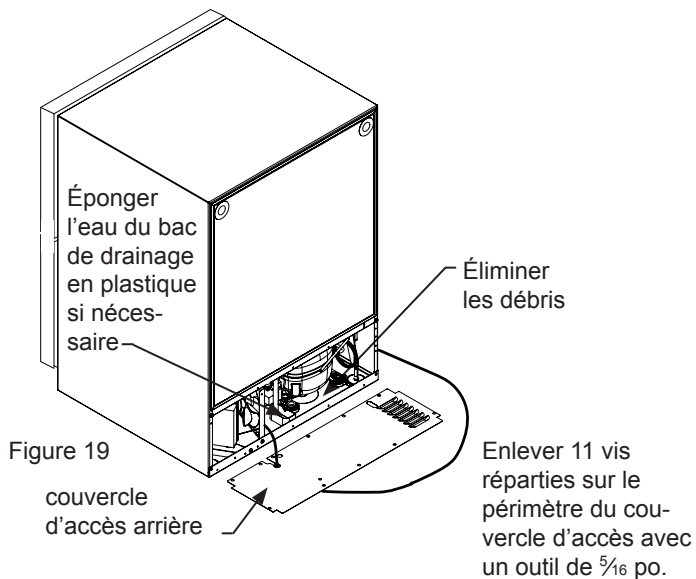
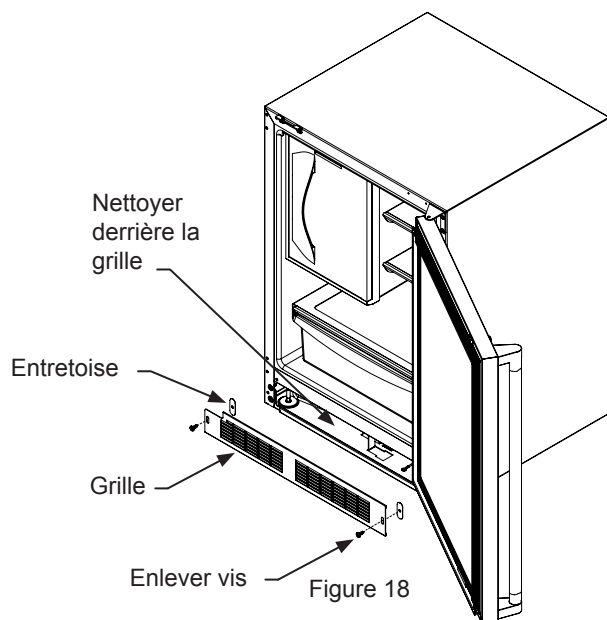


## L'ENTRETIEN ET LE NETTOYAGE

Une fois que tout ce qui précède est terminé, vous pouvez décider d'entreposer l'appareil à l'intérieur, mais ce n'est pas une nécessité.

### Redémarrage après un entreposage prolongé

1. Connectez l'appareil à l'alimentation secteur.
2. En cas d'entreposage à l'extérieur, il est recommandé que l'appareil soit de nouveau attentivement inspecté avec les instructions d'hivernage qui précèdent pour éliminer tout ce qui est salissure ou débris venant des intempéries ou des animaux/insectes éventuels.
3. Mettez l'appareil en marche et confirmez votre souhait pour les paramètres de contrôle.
4. Laissez l'appareil se stabiliser 24 heures avant de le charger.



## L'ENTRETIEN ET LE NETTOYAGE

### Entreposage de longue durée / préparation à l'hivernage

#### (LM24REFC, avec machine à glaçons en option) :

1. C'est le moment de préparer à l'hivernage quand le minimum de température ambiante descend sous les 38°F (3,3 °C)

2. Levez le bras en arceau de la machine à glaçons (voyez la

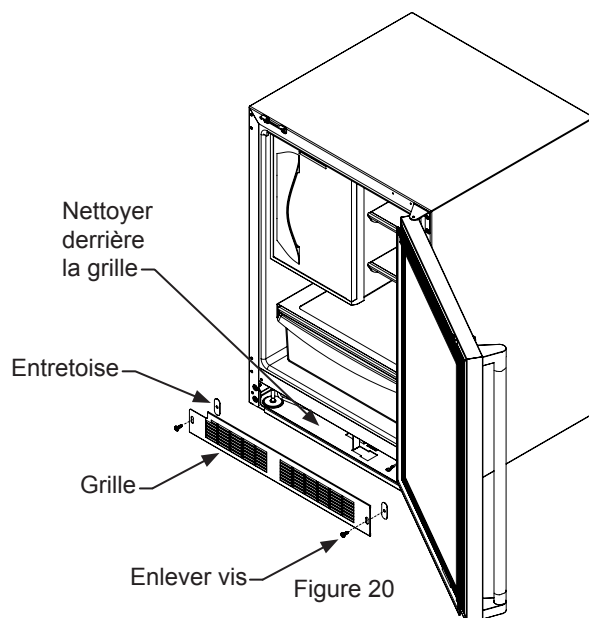


Faire fonctionner l'appareil à des températures inférieures à ce seuil d'hivernage recommanderait la garantie.

Figure 8 en page 7) pour arrêter la production de glaçons.

3. Ouvrez l'arrivée d'eau vers l'appareil.
4. Si nécessaire, déplacez l'appareil pour avoir accès à son arrière.
5. Débranchez la conduite d'alimentation en eau de la vanne de remplissage située à l'arrière de l'appareil (Voyez en page 6).
6. Assurez-vous que la conduite extérieure d'alimentation en eau est bien drainée ou vidée par envoi d'air comprimé, pour éviter le gel et sa cassure.
7. Nous recommandons d'installer un capuchon sur l'extrémité de la conduite d'arrivée d'eau pour éviter son bouchage par entrée de saletés ou d'insectes.
8. Videz le seau à glaçons et remettez-le en place dans la machine.
9. Abaissez le bras en arceau de la machine à glaçons pour la faire fonctionner jusqu'à ce qu'elle se vide de sa matière fondue.
10. Relevez le bras en arceau, sortez le seau à glaçons, et nettoyez-le bien avec une solution chaude de savon lave-vaisselle.
11. Arrêtez la machine pour dégivrer le compartiment de stockage de glaçons (Voyez en page 11).
12. Débranchez l'appareil de sa prise secteur.
13. Il est également recommandé que l'alimentation de la prise secteur soit coupée en amont si elle ne doit pas servir pour d'autres appareils pendant cette période d'hivernage.
14. Pendant le nettoyage d'un ensemble faites particulièrement attention à toutes les fissures ou crevasses pouvant avoir accumulé de la saleté et des débris.
15. Enlevez la grille de protection frontale (voir les Figure 20), et utilisez une brosse et un aspirateur pour éliminer la saleté et les débris de sous l'appareil.
16. Nettoyez soigneusement cette grille de protection et réinstallez-la sur l'appareil.
17. Ôtez le couvercle d'électrovanne et ses trois vis (Voyez la Figure 21). Enlevez le couvercle d'accès arrière (Voyez la Figure 21), et utilisez une brosse et un aspirateur pour éliminer la saleté et les débris du compartiment de la machine.
  - Si le bac en plastique de drainage du dégivrage sous le compresseur contient de l'eau, utilisez une éponge pour en éliminer le plus possible.

18. Débranchez la conduite d'eau en plastique du bas de l'électrovanne (Voyez la Figure 21a) et drainez-la. Rebranchez cette conduite d'eau.
19. Nettoyez soigneusement ce couvercle d'accès arrière et réinstallez-le sur l'appareil.
20. Nettoyez toutes les surfaces de l'intérieur avec un produit nettoyant antibactérien, et poursuivez par un rinçage à l'eau claire pour éliminer tous les résidus de produits chimiques qui pourraient tacher. N'utilisez pas de produits nettoyants abrasifs ni de tampons à récurer.
21. Laissez la porte ouverte et attendez le séchage complet avant de la refermer.
22. Nettoyez bien le joint de porte avec un produit nettoyant antibactérien, et poursuivez par un rinçage à l'eau claire pour éliminer tous les résidus de produits chimiques.
23. Nettoyez soigneusement l'extérieur avec un produit nettoyant approuvé pour l'acier inox. N'utilisez pas de produits nettoyants abrasifs ni de tampons à récurer. Voir «entretien de l'acier inox» page 20.
24. Tout matériel de montage ou d'attache présentant des signes de corrosion doit être remplacé.
25. Une fois l'extérieur bien nettoyé, vous pouvez désirer passer une couche de cire automobile pour protéger des taches venant d'humidité, salissures et débris pouvant s'accumuler sur les surfaces pendant la période d'hivernage.



# L'ENTRETIEN ET LE NETTOYAGE, CONSEILS POUR L'ÉCONOMIE D'ÉNERGIE

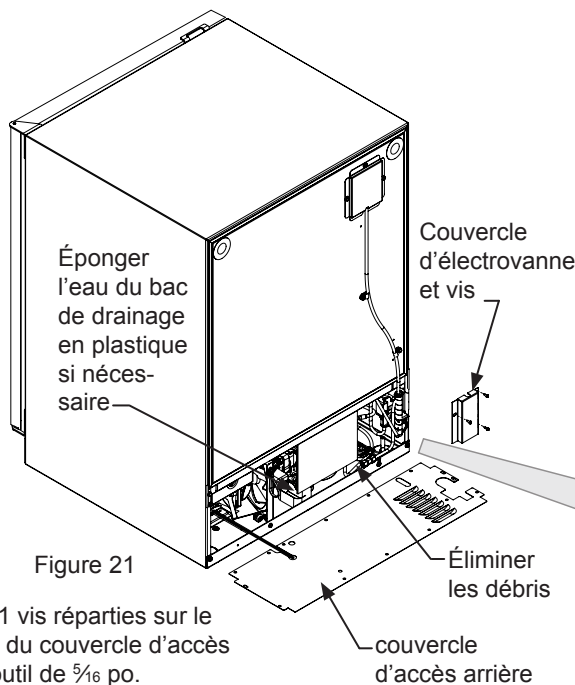


Figure 21

Enlever 11 vis réparties sur le périmètre du couvercle d'accès avec un outil de 5/16 po.

## Redémarrage après un entreposage prolongé

1. Connectez l'appareil à l'alimentation secteur.
2. En cas d'entreposage à l'extérieur, il est recommandé que l'appareil soit de nouveau attentivement inspecté avec les instructions d'hivernage qui précèdent pour éliminer tout ce qui est salissure ou débris venant des intempéries ou des animaux/insectes éventuels.
3. Mettez l'appareil en marche et confirmez votre souhait pour les paramètres de contrôle.
4. Laissez l'appareil se stabiliser 24 heures avant de le charger.

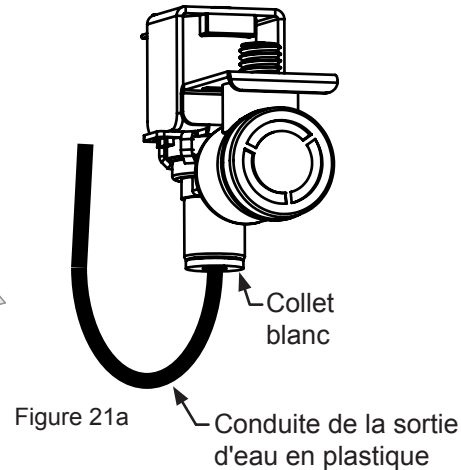


Figure 21a

## ATTENTION

L'alimentation en eau de la machine à glaçons doit être ouverte avant de mettre la machine à glaçons en marche. Ne pas le faire causerait rapidement un cycle à sec du réchauffeur de moulage ce qui entraînerait des problèmes de contrôle thermique dans le compartiment de congélation.

### Pour débrancher la conduite de la sortie d'eau :

Poussez sur le collet blanc vers le haut et tirez sur la conduite de la sortie d'eau à partir du bas du robinet d'eau.

### Pour rebrancher la conduite de la sortie d'eau :

Insérez simplement le tube en plastique dans le collet blanc et poussez jusqu'à ce qu'il s'arrête (environ 1/2 po, 12 mm de conduite d'eau entreront dans le robinet).

## Conseils pour l'économie d'énergie

### Les suggestions suivantes vont minimiser le coût de fonctionnement de votre appareil de refroidissement.

1. N'installez pas votre appareil près d'un autre appareil chaud (cuisinière, lave-vaisselle, etc.), d'une conduite d'air chaud, ou d'autres sources de chaleur.
2. Placez l'appareil à l'abri du rayonnement solaire direct.
3. Assurez-vous que les événements de la grille devant l'unité au-dessus de la porte ne sont pas obstrués et maintenus propres de façon à permettre une ventilation du système de refroidissement et chasser la chaleur.
4. Branchez votre appareil sur un circuit d'alimentation secteur dédié (Sans partage avec d'autres appareils).
5. Quand vous chargez initialement votre produit neuf, ou au cas où de grosses quantités de contenu tiède sont placées dans le compartiment de conservation au froid, minimisez les ouvertures de porte pendant les 12 heures qui suivent pour permettre au contenu de tomber à la température de consigne du compartiment.
6. En maintenant un compartiment d'entreposage relativement plein, il faut moins de périodes de fonctionnement en refroidissement de l'appareil qu'avec un compartiment vide.
7. Assurez-vous que la fermeture de porte n'est pas obstruée par des denrées entreposées dans votre appareil.
8. Permettez aux denrées chaudes de revenir à la température ambiante avant de les placer dans l'appareil.
9. Minimisez la fréquence et la durée des ouvertures de porte.
10. Utilisez le point de consigne de température le plus haut qui respecte votre préférence personnelle, et fournissez l'entreposage qui convient pour vos denrées conservées.
11. Quand vous êtes en vacances ou absent pendant de longues périodes, réglez l'appareil à la température la plus élevée acceptable pour son contenu conservé.
12. Réglez le contrôle en position d'arrêt (off) si le nettoyage de l'appareil nécessite que sa porte reste ouverte pour une période longue.

# ENTRETIEN DE L'ACIER INOX

## OBTENTION DE SERVICE

### Contexte

L'acier inox ne se décolore pas, ne se corrode pas et ne rouille pas comme l'acier ordinaire, mais il n'est pas à l'abri des taches ou corrosions. L'acier inox peut se décolorer ou se corroder s'il n'est pas entretenu correctement.

Les aciers inox diffèrent des aciers ordinaires au carbone par leur quantité de chrome présente. C'est ce chrome qui fournit un film protecteur invisible sur la surface, sous forme d'oxyde de chrome. Ce film peut être endommagé ou contaminé, ce qui entraîne décoloration, tache ou corrosion de la base métallique.

### Entretien et nettoyage

Un nettoyage de routine des surfaces d'acier inox servira à prolonger notablement la durée de service de votre produit en éliminant des contaminants. C'est particulièrement important dans les zones côtières qui peuvent exposer l'acier inox à des contaminants sévères comme des sels haloïdes (chlorure de sodium).

Il est fortement recommandé d'inspecter régulièrement et de nettoyer soigneusement les fissures, points de soudure, dessous de joints, de rivets et de têtes de boulons, et toutes les zones où des petites quantités de liquide peuvent être collectées et stagner, en concentrant des contaminants. De plus tout matériel de montage présentant des signes de corrosion doit être remplacé.

La fréquence du nettoyage dépendra de l'emplacement de l'installation, de l'environnement et des conditions d'utilisation.

### Choix d'un produit de nettoyage

Le choix d'un produit de nettoyage approprié est au gré du consommateur, et il existe de nombreux produits parmi lesquels choisir. Selon le type de nettoyage et le degré de contamination, certains produits sont meilleurs que d'autres.

En général le moyen le plus efficace pour du nettoyage de routine de la plupart des produits en acier inox est un bon passage au chiffon doux trempé dans une solution d'eau tiède et de détergent doux, ou d'eau faiblement ammoniaquée. Le frottement doit dans la mesure du possible suivre les veines de polissage de l'acier, et il faut toujours procéder à un rinçage après le nettoyage.

Bien que certains produits soient nommés «nettoyants pour acier inox», ils peuvent contenir des abrasifs susceptibles d'écrocher la surface (en compromettant son film protecteur d'oxyde de chrome),

Une fois que les surfaces en acier inox ont été soigneusement nettoyées, une cire automobile de bonne qualité peut y être appliquée pour maintenir la finition.

## REMARQUE

Les produits en acier inox ne doivent jamais être installés ou entreposés à proximité de produits chimiques à base de chlore.

Quelque soit votre choix du produit de nettoyage, il doit être utilisé en conformité stricte avec les instructions de son fabricant.

### Si du service est nécessaire

- Si le produit est encore dans sa première année de garantie, veuillez appeler le service à la clientèle d'Lynx Grills au 888.289.5969 pour avoir des instructions sur la façon d'obtenir une couverture sous garantie dans votre secteur.
- Si le produit est sorti de sa première année de garantie, le service à la clientèle d'Lynx Grills peut vous fournir des recommandations sur les centres de service de votre secteur.
- Dans toute correspondance relative au service, assurez-vous de bien fournir la référence de service/modèle, le numéro de série et le la facture d'achat.
- Essayez de donner des informations ou une description de la nature du problème, sur la durée pendant laquelle l'appareil a fonctionné, sur les températures de la pièce et de l'eau, et toutes les informations qui peuvent être utiles pour une résolution rapide du problème.
- Le Tableau «A» est fourni pour enregistrer les informations pertinentes sur votre produit, comme référence ultérieure.

Pour vos archives	
Date d'achat	
Nom du revendeur	
Adresse du revendeur	
Ville du revendeur	
État/province du revendeur	
Code Zip/postal du revendeur	
N° de service/modèle de l'appareil	
N° de série de l'appareil	
Date d'envoi de la carte de garantie (à faire dans les 10 jours après l'achat)	

Tableau A

## DÉPANNAGE

### Avant d'appeler pour du service

Si l'appareil semble présenter un dysfonctionnement, commencez par bien relire son manuel. Si le problème persiste, consultez le guide de dépannage qui suit. Identifiez le problème dans ce guide et consultez les colonnes de causes et de remèdes avant d'appeler pour du service. Le problème peut être quelque chose de très simple qui peut se résoudre sans demander une intervention de service. Cependant, il peut être nécessaire de contacter votre revendeur ou un technicien de service qualifié.

### REMARQUE

Votre produit comporte d'une fonction de dégivrage automatique qui utilise un élément de chauffage électrique. Périodiquement pendant le dégivrage vous pouvez observer la suivant:

- Des sons de l'eau gouttant et coulant causés par le fondant du givre.
- Les grésillements et les craquements des gouttes d'eau tombant sur l'élément chauffant.
- Une faible lumière rougeâtre dans le compartiment congélateur venant de l'élément de chauffage électrique.

Ceux sont toutes des caractéristiques «normales» de fonctionnement liés aux produits de réfrigération incorporant dégivrage automatique. Ils ne représentent pas un défaut du produit ni une question de sécurité.



### ATTENTION

Dans le cas improbable où vous perdriez de la capacité de refroidissement sur votre appareil, ne le débranchez pas de son alimentation électrique, mais appelez immédiatement un agent de dépannage qualifié. Il est possible que la perte de capacité de refroidissement résulte d'une accumulation excessive de givre sur le serpentin de refroidissement d'évaporateur. Dans ce cas, le débranchement électrique de l'appareil entraînera la fusion d'une quantité excessive de glace, qui pourra générer de l'eau de fusion qui dépassera la capacité du système de drainage du dégivrage, et risque de provoquer un dégât des eaux à votre domicile. C'est l'utilisateur final qui sera le responsable final de tout dégât des eaux causé par une coupure prématurée de l'appareil, sans avoir géré correctement l'excédent d'écoulement d'eau.



### AVERTISSEMENT

#### Risque d'électrocution

- Ne tentez jamais de réparer ou d'exécuter de la maintenance sur l'appareil avant que son alimentation électrique n'ait été débranchée en amont. Passer l'appareil sur arrêt (OFF) n'enlève pas la présence de tension secteur sur les fils de câblage.
- Remettez en place l'ensemble des pièces et panneaux avant de redémarrer.

Problème	Cause possible	Remède
L'appareil ne produit pas assez de froid  (Voyez «Réglage de la température» en page 11)	<ul style="list-style-type: none"> <li>• Le contrôle a une consigne trop chaude</li> <li>• La température du contenu n'est pas encore stabilisée.</li> <li>• Utilisation excessive ou ouvertures prolongées de la porte.</li> <li>• Blocage du flux d'air de la grille frontale.</li> <li>• Défaut d'étanchéité du joint de porte.</li> </ul>	<ul style="list-style-type: none"> <li>• Ajustez plus bas la consigne de température. Laissez stabiliser la température 24 heures.</li> <li>• Laissez la température se stabiliser pendant au moins 24 heures.</li> <li>• Le flux d'air ne doit pas être obstrué à la grille frontale. Consultez les valeurs de dégagements en page 4.</li> <li>• Changez le joint de porte.</li> </ul>
L'appareil fait trop de froid  (Voyez «Réglage de la température» en page 11)	<ul style="list-style-type: none"> <li>• Le contrôle a une consigne trop froide</li> <li>• Défaut d'étanchéité du joint de porte.</li> </ul>	<ul style="list-style-type: none"> <li>• Ajustez plus haut la consigne de température Laissez stabiliser la température 24 heures.</li> <li>• Changez le joint de porte.</li> </ul>
Pas d'éclairage à l'intérieur	<ul style="list-style-type: none"> <li>• Défaut de l'ensemble d'éclairage à DEL ou du commutateur d'éclairage.</li> </ul>	<ul style="list-style-type: none"> <li>• Contactez un technicien de service qualifié.</li> </ul>
L'éclairage ne s'éteint pas quand la porte est fermée	<ul style="list-style-type: none"> <li>• La porte n'active pas l'interrupteur d'éclairage.</li> <li>• Commutateur d'éclairage défectueux</li> </ul>	<ul style="list-style-type: none"> <li>• L'appareil n'est pas d'aplomb, mettez-le de niveau (Voir en page 4, la section sur les pieds réglables).</li> <li>• Contactez un technicien de service qualifié.</li> </ul>
Bruit ou vibration	<ul style="list-style-type: none"> <li>• L'appareil n'est pas d'aplomb.</li> <li>• Obstruction de tube affectant le ventilateur.</li> </ul>	<ul style="list-style-type: none"> <li>• Mettez l'armoire d'aplomb, voyez en page 4 le réglage des pieds de mise à niveau.</li> <li>• Contactez un technicien de service qualifié.</li> </ul>
L'appareil ne fonctionne pas.	<ul style="list-style-type: none"> <li>• L'appareil est à l'arrêt.</li> <li>• Le cordon secteur n'est pas branché.</li> <li>• La prise secteur n'est pas alimentée.</li> </ul>	<ul style="list-style-type: none"> <li>• Mettez l'appareil en marche. Voyez pour le démarrage de votre appareil en page 10.</li> <li>• Branchez la fiche du cordon.</li> <li>• Vérifiez l'alimentation électrique de votre maison.</li> </ul>

## DÉPANNAGE DE LA MACHINE À GLAÇONS

Problème	Cause possible	Remède
L'appareil fonctionne mais ne produit que peu ou pas de glaçons.	<ul style="list-style-type: none"> <li>L'appareil vient d'être démarré depuis moins de 24 heures.</li> </ul>	<ul style="list-style-type: none"> <li>La production type de glaçons est de 6 à 7 livres (2,7 à 3 kg) par jour. Laissez la section de congélation descendre à sa température, et la machine à glaçons fonctionner cycliquement et accumuler des glaçons.</li> </ul>
	<ul style="list-style-type: none"> <li>L'arrivée d'eau n'est pas ouverte.</li> </ul>	<ul style="list-style-type: none"> <li>Ouvrez l'arrivée d'eau vers l'appareil.</li> </ul>
	<ul style="list-style-type: none"> <li>La pression d'eau arrivant à l'appareil est incorrecte.</li> </ul>	<ul style="list-style-type: none"> <li>La pression d'eau à l'appareil doit faire au moins 20 psi.</li> </ul>
	<ul style="list-style-type: none"> <li>Le bras de coupure de la machine à glaçons est resté en position d'arrêt la plus en haut.</li> </ul>	<ul style="list-style-type: none"> <li>Quand le bras de coupure de la machine reste en position la plus haute, la machine est à l'arrêt. Abaissez ce bras pour démarrer la machine à glaçons.</li> </ul>
	<ul style="list-style-type: none"> <li>La section de congélation n'a pas atteint sa température.</li> </ul>	<ul style="list-style-type: none"> <li>Laissez la section de congélation atteindre sa bonne température.</li> </ul>
	<ul style="list-style-type: none"> <li>Le thermostat de contrôle a une consigne trop chaude</li> </ul>	<ul style="list-style-type: none"> <li>Passez la commande de consigne de température sur un chiffre plus élevé pour que l'unité devienne plus froide. Laissez 24 heures avant d'ajuster à nouveau la consigne de température.</li> </ul>
	<ul style="list-style-type: none"> <li>Le flux d'air de ventilation du condenseur est réduit.</li> </ul>	<ul style="list-style-type: none"> <li>Assurez-vous que la grille sur l'avant de l'unité est dégagée et ouverte pour que l'air circule bien. Nettoyez cette grille si besoin est.</li> </ul>
	<ul style="list-style-type: none"> <li>La température de la pièce et/ou de l'arrivée d'eau est trop élevée.</li> </ul>	<ul style="list-style-type: none"> <li>Déplacez l'unité dans une zone où la température ambiante est inférieure à 90°F (32 °C). Il ne faut pas la placer près d'une source de chaleur telle qu'un four. Vérifiez que le raccordement est bien sur de l'eau froide.</li> </ul>
Les cubes de glace sont petits	<ul style="list-style-type: none"> <li>La pression d'eau froide est trop faible.</li> </ul>	<ul style="list-style-type: none"> <li>La conduite d'arrivée d'eau est pincée.</li> <li>Des sédiments se sont accumulés dans la conduite d'eau.</li> </ul>
	<ul style="list-style-type: none"> <li>L'arrivée d'eau peut nécessiter un réglage.</li> </ul>	<ul style="list-style-type: none"> <li>Du fait de pressions d'eau différentes, l'arrivée d'eau à la machine à glaçons peut nécessiter un ajustement. Contactez un technicien de service qualifié.</li> </ul>
Les glaçons se collent les uns aux autres.	<ul style="list-style-type: none"> <li>La consommation de glaçons est trop faible.</li> </ul>	<ul style="list-style-type: none"> <li>Les glaçons s'agglomèrent s'ils sont conservés pendant de trop grandes périodes.</li> </ul>
	<ul style="list-style-type: none"> <li>Les cubes de glaçons ne sont pas homogènes avec un centre encore liquide à leur distribution dans le bac.</li> </ul>	<ul style="list-style-type: none"> <li>Il y a un dysfonctionnement de la machine à glaçons, appelez pour une intervention de service.</li> </ul>

## L'HISTOIRE DE LYNX

Lynx a commencé par une vision.

Un petit groupe d'ingénieurs de fabrication avec plus d'un siècle d'expérience collective a eu un rêve. Ils ont osé prendre leur vaste savoir-faire de fabrication commerciale et de créer une ligne de produits de cuisson en plein air qui offrent l'élégance et la performance commerciale sur le marché du consommateur.



Lynx a pris la qualité, la maîtrise, le service et l'innovation du marché commercial et l'a incorporé à la ligne Lynx Professional Grills de produits grand public et commerciaux. La combinaison de design créatif, de matériaux de qualité supérieure et d'un savoir-faire exceptionnel élève les produits Lynx à une classe de son propre.

Les produits originaux Lynx commercial sont utilisés tous les jours dans les restaurants, hôtels et parcs à thème à travers les Etats-Unis:

### Clients satisfaits de Lynx

- TGI Fridays
- Applebee's
- Houston's
- Red Lobster
- Hard Rock Café
- Wolfgang Puck's
- Cheesecake Factory
- Red Robin
- Planet Hollywood
- Hilton
- Hyatt
- Four Seasons Marriott  
Le Meridian
- Sheraton
- Conrad International
- Bellagio
- New York New York
- MGM Grand
- Treasure Island
- Mirage
- Paris
- Venetian
- Excalibur
- Mandalay Bay
- Riviera
- Desert Inn
- Hard Rock Hotel
- Disney World



Les meilleurs produits de cuisine d'extérieure viennent de :  
Lynx Grills, Inc. 7300 Flores Street Downey, CA 90242  
Service: (888)-289-5969 Fax: (562) 299-6789  
[www.lynxgrills.com](http://www.lynxgrills.com)



APROVECHE AL MÁXIMO DE SU



LM24REFC  
REFRIGERADORES / CONGELADORS EXTERIOR  
MANTENIMIENTO Y OPERACIÓN / INSTALACIÓN

# ÍNDICE

## Índice

### Índice:

Información de seguridad .....	2
Desembalaje de su artefacto .....	3
Registro de garantía .....	3
Instalación de su artefacto .....	4
Espacios libres alrededor del gabinete .....	4
Nivelación del artefacto .....	4
Conexión eléctrica .....	5
Instalación del suministro de agua .....	6
Operación de la máquina de hielo .....	7
Dimensiones del producto .....	8
Puesta en funcionamiento de su artefacto .....	10
Uso de su control electrónico .....	10
Modo de espera .....	10
Encendido (ON) y apagado (OFF) de su artefacto .....	11
Ajuste de la temperatura .....	11
Modo de temperatura .....	11
Bloqueo del control .....	12
Códigos de error del sensor de temperatura .....	12
Alarmas .....	12
Puerta entreabierta .....	12
Corte de energía .....	13
Alarma de temperatura .....	13
Modo Vacaciones .....	13
Configuraciones de estantes .....	14
Extracción de estantes .....	15
Cuidado y limpieza .....	16
Consejos para ahorrar energía .....	19
Mantenimiento del acero inoxidable .....	20
Cómo obtener servicio .....	20
Localización de fallas .....	21
La historia de Lynx .....	23

## Instrucciones importantes de seguridad

Las advertencias e instrucciones de seguridad que aparecen en esta guía no se proponen tratar todas las condiciones y situaciones que pueden ocurrir. Deben aplicarse el sentido común, la precaución y el cuidado al instalar, mantener y operar este artefacto.

### Reconozca los símbolos, palabras y etiquetas de seguridad.

Se podría producir la muerte o lesiones graves si...



### ADVERTENCIA

**ADVERTENCIA** - Si no sigue las instrucciones, usted puede morir o sufrir una lesión grave.



### PRECAUCION

**PRECAUCIÓN**-Riesgos o procedimientos inseguros que podrían provocar lesiones personales o daños materiales o al producto.

### NOTA

**NOTA**-Información importante que ayuda a asegurar una instalación y operación libres de problemas.



### ADVERTENCIA

**Advertencias de la Proposición 65 del estado de California:** Este producto contiene una o más sustancias químicas identificadas por el estado de California como causantes de cáncer.



### ADVERTENCIA

**Advertencias de la Proposición 65 del estado de California:** Este producto contiene una o más sustancias químicas identificadas por el estado de California como causantes de defectos congénitos o algún otro tipo de daños en la función reproductora.

## DESEMBALAJE DE SU ARTEFACTO



### ADVERTENCIA

#### RIESGO DE PESO EXCESIVO

Se necesitan dos o más personas para mover el producto. Si no se procede así, pueden producirse lesiones personales.

### Retiro del embalaje interior

Su artefacto se ha embalado para el transporte con todas las piezas que pudieran dañarse por el movimiento sujetas firmemente. Retire los materiales de empaque internos y -si las hubiera- las cintas que sujetan los componentes. El manual del usuario se envía dentro del producto en una bolsa de plástico junto con la tarjeta de registro de garantía y otros accesorios.

### Importante

Conserve la caja y el material de embalaje hasta que su artefacto se haya inspeccionado bien a fondo y se haya comprobado que está en buenas condiciones. Si hubiera daños, se necesitará el material de embalaje como una prueba del daño en tránsito. Luego, elimine todos los elementos de manera responsable.



### ADVERTENCIA

**ADVERTENCIA** - Elimine las bolsas de plástico, ya que pueden presentar un riesgo de asfixia.

### Nota para el cliente

Esta mercancía se embaló en forma cuidadosa y se inspeccionó bien a fondo antes de salir de nuestra planta. La responsabilidad por su entrega segura fue asumida por el comerciante minorista al aceptar el envío. Los reclamos por pérdida o daños sufridos en el tránsito deben presentarse al comerciante minorista.

### NOTA

NO REGRESE MERCANCÍA DAÑADA AL FABRICANTE; PRESENTE EL RECLAMO AL COMERCIANTE MINORISTA.



### PRECAUCION

Si el artefacto se transportó, manejó o almacenó en una posición diferente de la vertical durante cualquier intervalo de tiempo, deje que permanezca en posición vertical durante 24 horas como mínimo antes de enchufarlo.

Esto asegurará que el aceite regrese al compresor. Si se enchufa el artefacto de inmediato, pueden dañarse algunas piezas internas.

### Registro de garantía

Es importante que envíe su tarjeta de registro de la garantía inmediatamente después de haber recibido su artefacto; también puede registrarlo a través de Internet en la página [www.lynxgrills.com/support/registration](http://www.lynxgrills.com/support/registration)

Cuando registre su artefacto se le solicitará la información siguiente:

Número de servicio/modelo

Número de serie

Fecha de la compra

Nombre y dirección del comerciante

El número de servicio/modelo y el número de serie pueden encontrarse en la placa de identificación que está ubicada dentro del gabinete, en el lado izquierdo cerca de la parte superior (vea la Figura 1).

LYNX GRILLS, INC	
DOWNEY, CA 90242	
MODEL NO.	XXXXXXXXXXXXXXXX
SERVICE NO.	XXXXXXXXXXXXXXXX
SERIAL NO.	XXXXXXXXXXXXXXXX
HZ	<input type="checkbox"/>
VOLTS	<input type="checkbox"/>
AMPS	<input type="checkbox"/>
R134A	<input type="checkbox"/>
oz	<input type="checkbox"/>
DESIGN PRESSURES	
140 PSI LOW SIDE	
300 PSI HIGH SIDE	

Figura 1



### ADVERTENCIA

**ADVERTENCIA** - El atrapamiento y la asfixia de niños no son problemas del pasado. Los refrigeradores desguazados o abandonados siguen siendo peligrosos, aun cuando se los haya dejado 'sólo por unos pocos horas'.

Si va a deshacerse de su viejo refrigerador, observe las instrucciones que siguen a fin de ayudar a prevenir accidentes.

Antes de tirar su viejo refrigerador o congelador:

- Extraiga las puertas o retire los estantes.
- Deje los estantes en su lugar, de modo que los niños no puedan trepar fácilmente al interior.

# INSTALACIÓN DE SU ARTEFACTO

## Selección de la ubicación

La ubicación adecuada asegurará el desempeño óptimo de su artefacto. Recomendamos una ubicación en la que la unidad esté a cubierto de la luz solar directa y lejos de fuentes de calor. Para asegurar que su producto funcione de acuerdo con las especificaciones, el rango de temperaturas recomendado para la ubicación de instalación es de 55 a 115° F (de 13 a 46° C).

## Espacios libres alrededor del gabinete

Se necesita ventilación desde la parte delantera inferior del artefacto. Mantenga esta área abierta y libre de toda obstrucción. Pueden instalarse gabinetes adyacentes y una cubierta alrededor del artefacto, siempre que la rejilla frontal permanezca sin obstrucciones. Los modelos con puerta decorativa y bisagras articuladas están destinados únicamente a aplicaciones empotradas.

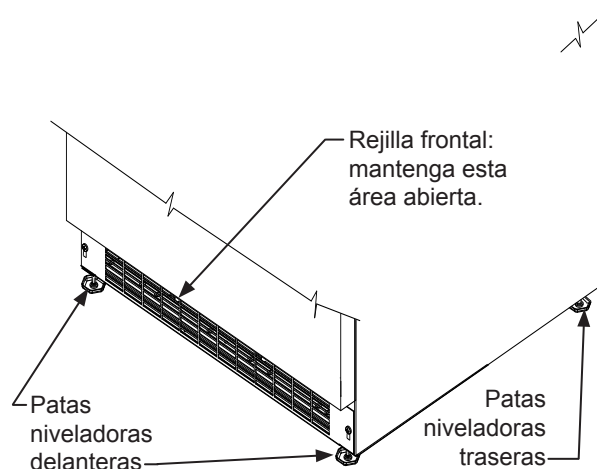


Figura 2

## Patas niveladoras traseras

Las patas ajustables que están en las esquinas delanteras y traseras del artefacto deben regularse de modo que la unidad quede posicionada firmemente sobre el piso, y nivelada de lado a lado y del frente al fondo. La altura total de su artefacto puede ajustarse entre la dimensión mínima, 33<sup>3</sup>/<sub>4</sub>" (85,7 cm), (girando la pata niveladora hacia adentro CW ↻) y la máxima, 34<sup>3</sup>/<sub>4</sub>" (88,3 cm), (girando la pata niveladora hacia afuera CCW ↻).

Para ajustar las patas niveladoras, coloque el artefacto sobre una superficie sólida y proteja la zona del piso que está debajo de las patas, para evitar rayarlo. Con la ayuda de otra persona, incline el artefacto hacia atrás para tener acceso a las patas niveladoras. Haga girar las patas para subirlas o bajarlas hasta la dimensión requerida. Repita este proceso para la parte trasera inclinando con cuidado el artefacto hacia adelante. Verifique la nivelación del artefacto sobre una superficie nivelada, y ajuste según sea necesario.

Los tornillos de la rejilla frontal pueden aflojarse para ajustar la rejilla a la altura deseada. Cuando finalice el ajuste, apriete los dos tornillos de la rejilla frontal (vea la Figura 5).



**PRECAUCION**

## Rejilla frontal

No obstruya la rejilla frontal. Las aberturas de la rejilla frontal permiten que el aire circule a través del intercambiador de calor del condensador. Las restricciones a esta circulación de aire darán como resultado mayor consumo de energía y pérdida de la capacidad de enfriamiento. Por esta razón es importante que esta área no esté obstruida y que las aberturas de la rejilla se mantengan limpias. Lynx Grills no recomienda el uso de una rejilla de construcción especial, ya que la circulación de aire puede verse restringida (vea la Figura 2).

## INSTALACIÓN DE SU ARTEFACTO

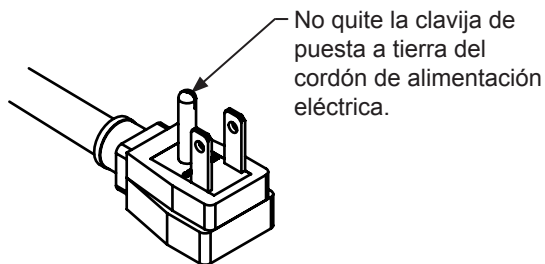


Figura 3

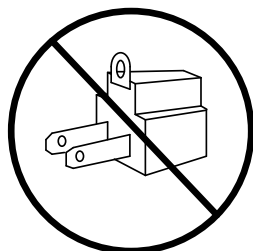


Figura 4

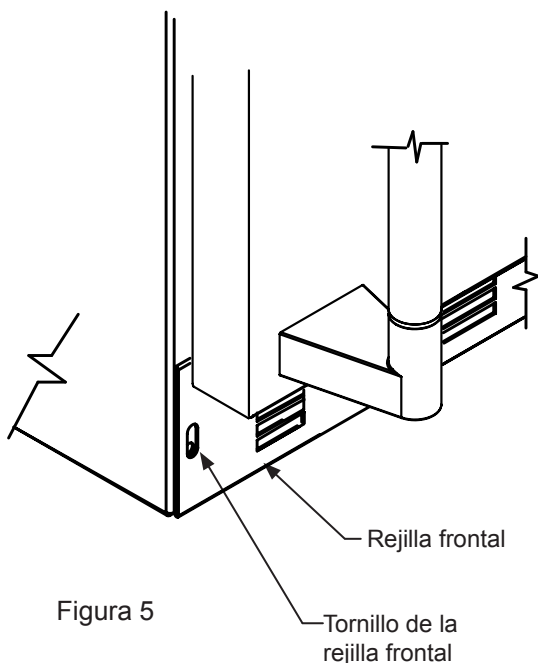


Figura 5

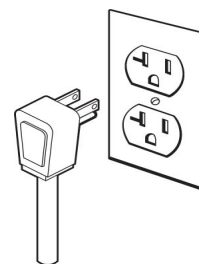


Figura 6



### ADVERTENCIA

#### Peligro de choque eléctrico

- No utilice cordones de extensión con este artefacto. Pueden ser peligrosos, y pueden degradar el funcionamiento del producto.
- Este artefacto no debe conectarse en ninguna circunstancia a un suministro eléctrico sin conexión a tierra.
- No quite la clavija de puesta a tierra del cordón de alimentación eléctrica. (vea la Figura 3).
- No use un adaptador. (vea la Figura 4).
- No salpique ni rocíe agua desde una manguera sobre el artefacto. Si lo hace puede causar un choque eléctrico, que puede provocar lesiones graves o la muerte.

#### Conexión eléctrica

Se necesita un circuito dedicado de 115 volts, 15 amperes.

Este producto está equipado de fábrica con un cordón de alimentación eléctrica que tiene un enchufe de tres clavijas con puesta a tierra. Debe enchufarse en un tomacorriente compatible con puesta a tierra, de acuerdo con el Código Eléctrico Nacional de los EE. UU., así como los códigos y ordenanzas locales que sean aplicables (vea la Figura 6). Si el circuito no tiene un tomacorriente con puesta a tierra, es responsabilidad y obligación del cliente proporcionar el suministro eléctrico correcto. No debe cortarse ni quitarse la tercera clavija de tierra bajo ninguna circunstancia.

### NOTA

Los interruptores de falla a tierra (GFCI) son propensos a los falsos disparos, que harán que el artefacto se apague. Los GFCI no se usan por lo general en circuitos con equipos motorizados que deben funcionar desatendidos durante períodos prolongados, a menos que sea necesario para cumplir con los códigos y ordenanzas de edificación locales.

# INSTALACIÓN DEL SUMINISTRO DE AGUA MODELO LM24REFC CON KIT DE FABRICADOR DE HIELO OPCIONAL

## NOTA

Hay disponible un kit de fabricante de hielo opcional (número de pieza S42418151) para el modelo LM24REFC, el cual incluye todas las piezas necesarias para la instalación. El kit se puede obtener en Servicio al Cliente de Lynx Grills llamando al (888)-289-5969.

## Suministro de agua

### ! PRECAUCION

Observe y cumpla con todos los códigos de edificación locales cuando instale este artefacto.

Use para el suministro de agua un tubo de cobre de 1/4", que puede obtenerse en cualquier tienda de artículos de plomería o ferretería local. Doble el tubo de cobre de 1/4" como corresponda a su instalación; asegúrese de no retorcerlo. Compre un trozo suficiente de tubo de cobre y enróllelo detrás de la unidad para formar un 'bucle de servicio' que permita retirar el artefacto de la instalación para su servicio o limpieza. Conecte el tubo de cobre al 'lado superior' de una tubería de agua fría para impedir que la máquina de hielo se tapone con sedimentos.

Se recomienda colocar en la línea de suministro de agua una válvula de cierre para facilitar la prestación de servicio al artefacto. **NOTA: NO SE RECOMIENDA EL USO DE UNA VÁLVULA DEL TIPO AUTOPERFORANTE**, ya que estas válvulas son propensas a atascarse con sedimentos, los que crearán una caída de presión que reducirá el suministro de agua a la unidad.

Conecte el tubo de cobre del suministro de agua entrada de la válvula de agua con tuerca de compresión suministrado. Asegure la línea de suministro de agua a la parte trasera del gabinete con el tornillo y la abrazadera provistos en la esquina del panel trasero (vea la Figura 7).

La presión de agua debe ser de 20 psi como mínimo para una operación correcta, y de 120 psi como máximo.

Asegúrese de que todas las conexiones de agua sean estancas después de la instalación. Conforme el tubo de manera que no vibre contra el cuerpo del gabinete ni se retuerza cuando se coloque el artefacto en su posición.

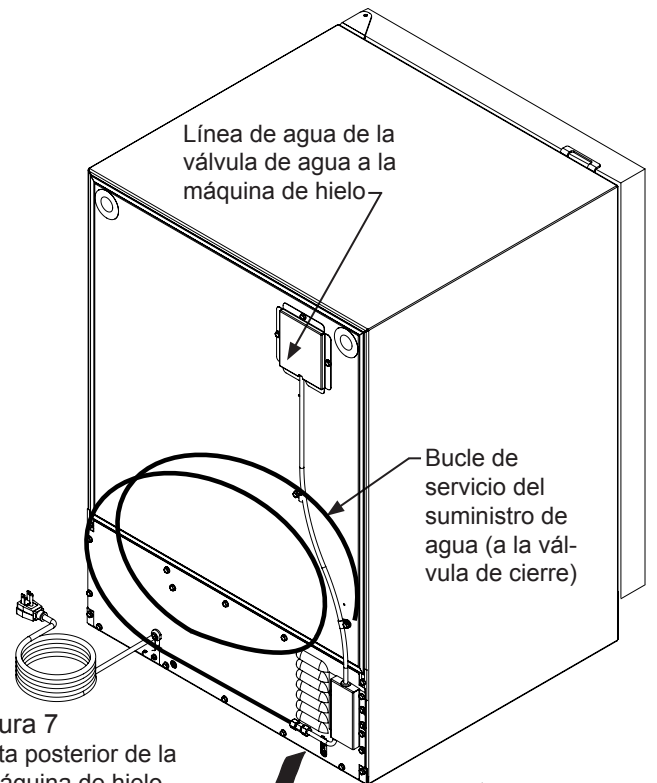
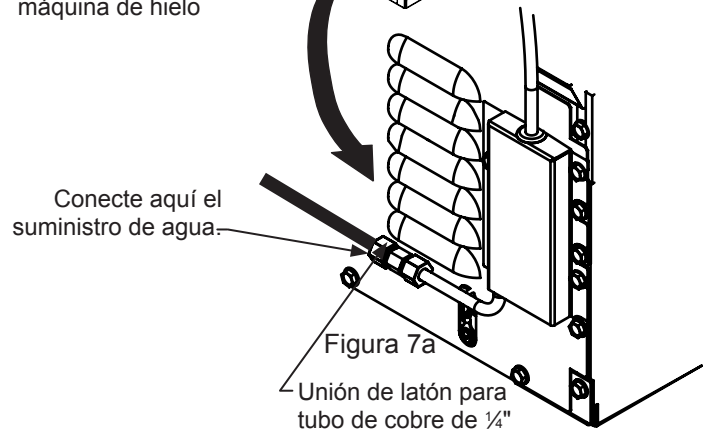


Figura 7  
Vista posterior de la máquina de hielo



## NOTA

- No utilice ningún sellador de roscas en estos acopladores de línea de agua.
- No se recomienda el empleo de ósmosis inversa, agua ablandada ni agua desionizada, ya que afectarán desfavorablemente la calidad del hielo.

## OPERACIÓN DE LA MÁQUINA DE HIELO



### PRECAUCION

Antes de encender la máquina de hielo debe activarse el suministro de agua de la misma. Si no se hace así, se producirá un ciclado seco rápido del calentador del molde de la máquina de hielo, lo que va a dar como resultado problemas de control de temperatura en el compartimiento del congelador.

### Operación de la máquina de hielo

- La unidad debe instalarse nivelada para la correcta operación de la máquina de hielo.
- Para que funcione la máquina de hielo, el alambre del brazo de corte debe estar bajado hasta su posición extrema inferior (vea la Figura 8).
- Cuando la unidad de la sección del congelador y la máquina de hielo se haya enfriado lo suficiente, la máquina recolectará cubos de hielo automáticamente.
- Cuando la cubeta de hielo esté llena, la máquina de hielo se apagará automáticamente.
- Puede detener manualmente la máquina de hielo elevando el brazo de corte hasta la posición de bloqueo, que es la posición extrema superior (vea la Figura 8).

### NOTA

Se recomienda apagar la máquina de hielo cuando se quite la cubeta; de lo contrario, se dispensará hielo que irá al piso del compartimiento del congelador.

Si no se utiliza el hielo regularmente, con el tiempo se amontonará. Para obtener los mejores resultados con el hielo, deseche el hielo de la caja según sea necesario y permita que la máquina de hielo fabrique un nuevo lote de hielo fresco. Para apagar la máquina de hielo, eleve el brazo de corte antes de quitar la cubeta.

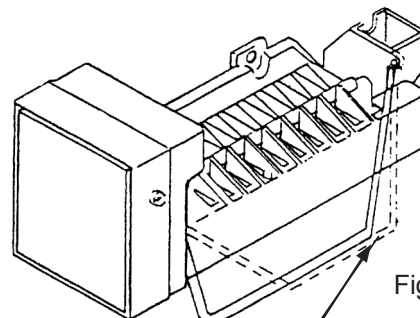


Figura 8

Brazo abajo: la máquina de hielo funcionará

Brazo arriba: la operación se detiene

# DIMENSIONES DEL PRODUCTO

MODELO	DIMENSIONES DE LA ABERTURA DE INSTALACIÓN pulgadas (cm)			DIMENSIONES DEL GABINETE pulgadas (cm)					
	"A"	"B"	"C"	"D"	"E"	"F"	"G"	"H"	"J"
LM24REFC	24" (61 cm)	**34" a 35" (86,4 a 88,9 cm)	*	23 <sup>7</sup> / <sub>8</sub> " (60,7 cm)	33 <sup>3</sup> / <sub>4</sub> " a 34 <sup>3</sup> / <sub>4</sub> " (85,7 a 88,3 cm)	23 <sup>23</sup> / <sub>32</sub> " (60,2 cm)	26 <sup>3</sup> / <sub>4</sub> " (67.9 cm)	46 <sup>13</sup> / <sub>32</sub> " (117,9 cm)	26 <sup>3</sup> / <sub>4</sub> " (67.9 cm)

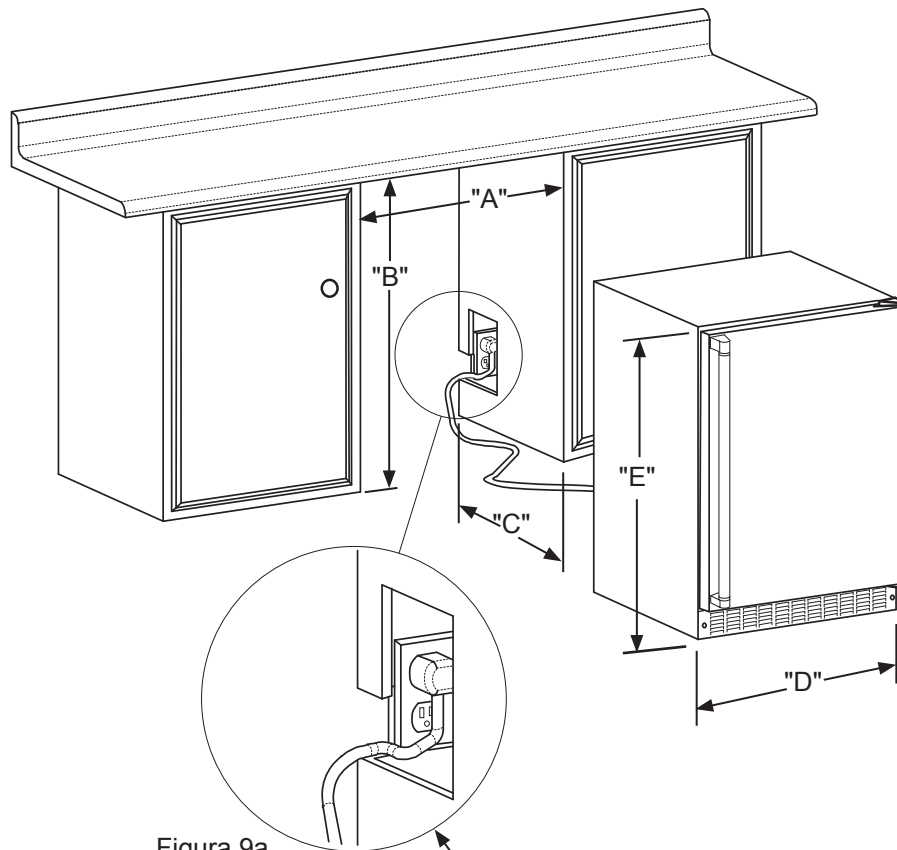


Figura 9

Figura 9a

Si fuera necesario ganar espacio libre dentro de la abertura de instalación, puede hacerse un agujero a través del gabinete adyacente y pasar el cordón de alimentación eléctrica a través de ese agujero hasta un tomacorriente. Otra manera de aumentar la profundidad disponible de la abertura es empotrar el tomacorriente eléctrico en la pared trasera para ganar el espesor del enchufe de alimentación eléctrica. No todas las cajas de tomacorriente empotradas serán apropiadas para esta aplicación por ser demasiado delgadas, por lo que se recomienda para esta aplicación una caja de tomacorriente empotrada equivalente a la Arlington #DVFR1W (vea la Figura 10).



Figura 10



## DIMENSIONES DEL PRODUCTO

MODELO	DATOS DEL PRODUCTO	
	REQUISITOS ELÉCTRICOS #	PESO DEL PRODUCTO
LM24REFC	115V/60Hz/15A	140 lbs (63,6 kg)

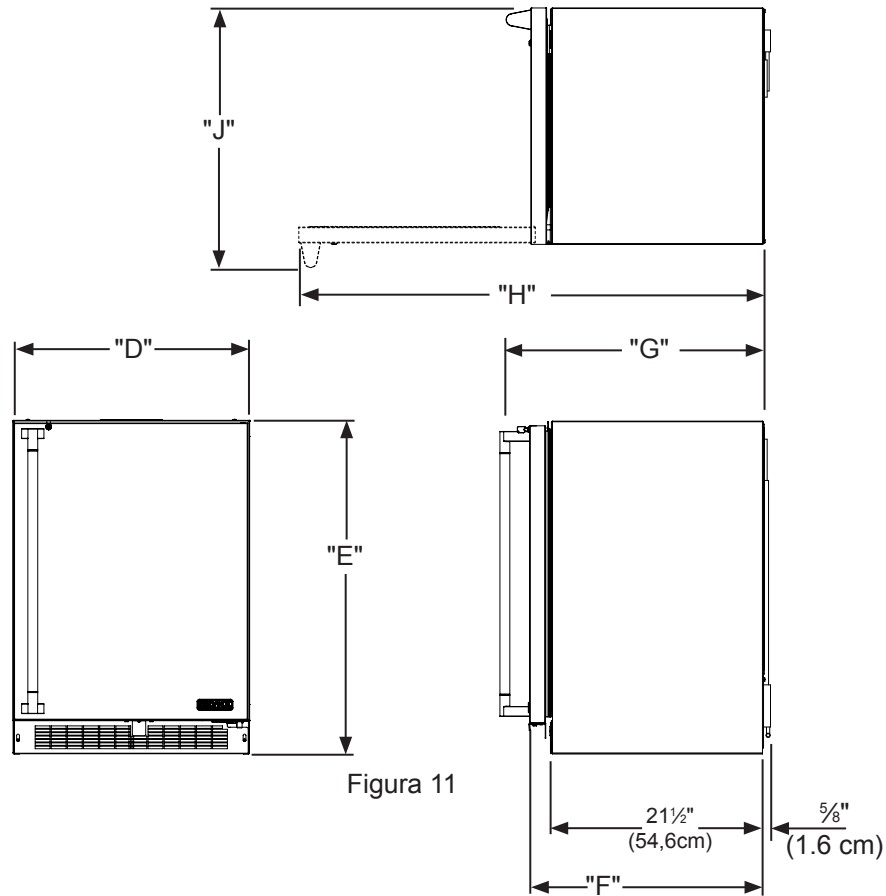


Figura 11

\* La dimensión de la profundidad de la abertura de instalación puede variar según cada instalación individual. Para empotrar la puerta completa se necesita la dimensión 'F' más 1" (2,5 cm) para el espesor del enchufe de alimentación eléctrica.

\*\* La abertura de instalación mínima requerida debe ser mayor que la altura ajustada del gabinete.

# Se necesita un circuito dedicado de 15 amperes con conexión a tierra. Cumpla con todos los códigos de edificación locales cuando instale el circuito eléctrico y el artefacto.

# PUESTA EN FUNCIONAMIENTO DE SU ARTEFACTO



## NOTA

### Puesta en funcionamiento de su artefacto

Enchufe el cable eléctrico en la toma de corriente de pared de 115 V. Su artefacto se entrega de fábrica en la posición "Encendido" y comenzará a enfriar tan pronto se conecte a la alimentación eléctrica. Si el artefacto no arranca, verifique si la toma de corriente tiene electricidad y que el control esté en la posición "Encendido", (consulte la sección "Encendido / Apagado del artefacto" más adelante).

La pantalla de control está cubierta con una película de plástico transparente. Esta película se puede retirar levantándola con cuidado en una esquina.

Durante el encendido inicial, la pantalla de control mostrará una alarma por "Corte de energía". Esta es una condición normal pues el artefacto fue encendido por primera vez en la fábrica para la inspección de calidad y luego desconectado. Pulse una vez la tecla "Encendido / Apagado" para apagar la condición de alarma (consulte la sección "Alarmas" en la página 12).

Su producto tiene una función de descongelación automática que utiliza un elemento calentador eléctrico. Periódicamente durante la descongelación se puede observar lo siguiente:

- Sonidos de goteo y el agua que fluye causados por el derretimiento de la escarcha.
- El chisporrotear y el crepitar de agua goteando sobre el elemento calefactor.
- Un débil resplandor rojizo en el compartimiento del congelador desde del elemento calentador eléctrico.

Esas son todas las características de funcionamiento "normal" asociados con productos de refrigeración que incorporan descongelación automática. No representan un defecto del producto o de un problema de seguridad.

### Uso de su control electrónico



### Modo de espera

Si no se pulsa ninguna tecla durante 60 segundos, la pantalla entrará en el modo de espera para ahorrar energía. El panel de control se apagará, excepto el indicador de sistema OK que permanecerá encendido. Cualquier condición de alarma activará la pantalla, (vea "Alarmas" en la página 12).



Figura 12a  
Control electrónico para una sola zona

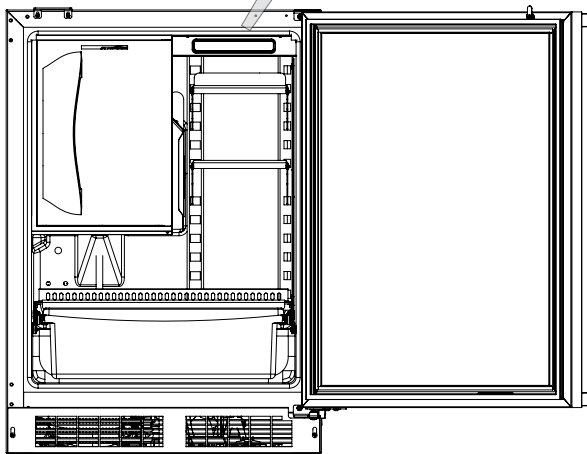


Figura 12

**Para realizar cambios en los ajustes del control (encender o apagar el artefacto, ajustar la temperatura, cambiar la iluminación interior y activar el modo vacaciones), el control debe estar activado.**

Para activar la pantalla, pulse cualquier tecla. Sonará un tono audible de confirmación y aparecerá la temperatura actual del compartimiento de almacenamiento.



Si prefiere tener la pantalla continuamente encendida, desactive el modo de espera. Mantenga pulsado el botón "Bloqueo" hasta que en la pantalla desaparezca "Loc" y aparezca "nSL". Para activar el modo de espera, repita la instrucción anterior hasta que desaparezca "Loc" y la pantalla muestre "SLP".

## USO DE SU CONTROL ELECTRÓNICO



### Encendido (ON) y apagado (OFF) de su artefacto

Si el artefacto está encendido (y no está en el modo de espera), la pantalla mostrará la temperatura. Para apagar el artefacto mantenga pulsada la tecla "Encendido / Apagado" durante 4 segundos. El control mostrará "OFF".



Para encender el artefacto mantenga pulsada la tecla de encendido / apagado durante 4 segundos.

### Ajuste de la temperatura

#### NOTA

Al introducir artículos tibios se podría disparar una alarma de temperatura, vea la alarma de temperatura en la página 13. Dependiendo de la cantidad y/o peso de los artículos tibios, se podría necesitar 48 horas para que la temperatura del compartimiento se estabilice.

Los cambios en la temperatura de consigna pueden hacer que el bodegas para vinos tarde hasta 24 horas para estabilizar la temperatura del contenido almacenado.

Los factores que afectan la estabilización de la temperatura en el compartimiento de almacenamiento son:

- Cambios en el valor de consigna de la temperatura.
- Cambios en la temperatura de la habitación.
- Temperatura del contenido almacenado.
  - Carga de productos calientes.
  - La carga de productos fríos retrasará el cambio a una temperatura de consigna más caliente.
  - La carga de productos calientes retrasará el cambio a una temperatura de consigna más fría.
- Uso (cantidad y duración de las aperturas de la puerta).
- Uso de la iluminación del compartimiento de almacenamiento (solo bodegas para vinoses con puerta de vidrio).
- Exposición del artefacto a la luz solar directa o a una fuente de calor.

Compartimiento del congelador seleccionado



Compartimiento del refrigerador seleccionado



Puede establecerse la temperatura para cada compartimiento individual (refrigerador o congelador/máquina de hielo). Para hacerlo, debe seleccionar primero el compartimiento para el que desea establecer la temperatura.

Para ello, oprima el botón del refrigerador (REF) o el botón del congelador (FRZ) en el display. Cuando se oprima un botón, se encenderá la luz LED respectiva.



Para cambiar la temperatura establecida para un compartimiento particular, con el compartimiento habilitado y fuera del modo de espera, oprima las teclas '-' o '+'. En el panel de interfaz de usuario se indicará 'SET', y aparecerá destellando el valor de ajuste de la temperatura actual. Al oprimir más veces las teclas '-' o '+', se ajustará la temperatura a valores más bajos o más altos respectivamente. Cuando haya alcanzado el valor de ajuste de la temperatura deseado, oprima la tecla 'Encendido/Apagado' ('On/Off') para aceptar, o, si no hace nada, el modo 'Ajuste' ('Set') terminará en 10 segundos aceptando la temperatura visualizada en el display como el nuevo valor de ajuste.

El rango de valores de ajuste de temperatura para su artefacto es de -6 °F (-21 °C) a 6 °F (-14 °C) para el compartimiento del congelador (máquina de hielo) y de 34 °F (1.2 °C) a 42 °F (5.7 °C) para el compartimiento del refrigerador. Si intenta ajustar la temperatura fuera de estos rangos, recibirá una notificación audible.



### Modo de temperatura

El modo de temperatura está predefinido en fábrica en grados Fahrenheit (° F), pero usted tiene la opción de cambiar a Celsius (° C). Para cambiar el modo, mantenga pulsadas las teclas "-" y "+" y luego suelte la tecla "-".

La temperatura se mostrará ahora en grados centígrados (° C).

Repita el procedimiento para cambiar el modo de temperatura de nuevo a grados Fahrenheit (° F).

## USO DE SU CONTROL ELECTRÓNICO



### Bloqueo del control

El panel de control se puede bloquear para evitar cambios accidentales. Para bloquear el control, mantenga pulsada la tecla "Bloqueo" hasta que la pantalla muestre "Loc"; a continuación suelte la tecla. El icono de bloqueo parpadeará 3 veces y luego quedará permanentemente encendido. Cuando el panel de control está bloqueado, solo están activos el botón "Bloqueo", el indicador de sistema OK y el indicador de alarma. Para eliminar el bloqueo del panel de control, repita esta instrucción hasta que la pantalla muestre "nLc". A continuación suelte la tecla.

### NOTA



Si el bloqueo de control está activo (icono de bloqueo iluminado) el control tiene que ser desbloqueado antes de usar el teclado para restablecer una situación de alarma. Consulte la página 12 (Bloqueo de control) para obtener instrucciones para desbloquear el control.

### Alarmas

El control emitirá un aviso cuando las condiciones podrían afectar negativamente al rendimiento del artefacto.



- **Puerta entreabierta:** si la puerta está abierta o está mal cerrada durante más de 5 minutos, el indicador de sistema OK se apagará y comenzará a parpadear el indicador "Puerta entreabierta" acompañado de un tono audible cada 60 segundos. Además, se encenderá el indicador "ALARM RESET" (Apagar alarma) bajo la tecla "Encendido / Apagado".

### NOTA



La alarma audible se puede silenciar, para cada ocurrencia, para pulsando la tecla "Bloqueo".

Esta condición de alarma se puede apagar mediante el cierre de la puerta o pulsando la tecla "Encendido / Apagado" (por ejemplo, cuando está limpiando el compartimiento de almacenamiento, etc.) La alarma se repetirá en 5 minutos si la condición de alarma persiste.

### Códigos de error del sensor de temperatura

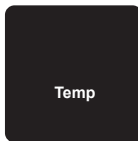
Los sensores de temperatura son monitoreados continuamente. Cualquier condición de CIRCUITO ABIERTO o EN CORTOCIRCUITO iniciará un CÓDIGO DE ERROR según se enumera a continuación:

Códigos de error del sensor de temperatura			
Sensor	Código mostrado	Descripción del error	Acción que se debe tomar
Sensor de temperatura del refrigerador		El sensor de temperatura falló en el compartimiento de refrigerador. Puede llevar a temperaturas de almacenamiento no deseadas y/o productos perecederos dañados.	Llame al departamento de servicio para solicitar el reemplazo del sensor de temperatura. Retire todos los productos perecederos del compartimiento para evitar su deterioro.
Sensor de temperatura del congelador		El sensor de temperatura falló en el compartimiento de congelador. Puede llevar a temperaturas de almacenamiento no deseadas y/o productos perecederos dañados.	Llame al departamento de servicio para solicitar el reemplazo del sensor de temperatura. Retire todos los productos perecederos del compartimiento para evitar su deterioro.
Sensor de eliminación de escarcha		El sensor de temperatura de eliminación de escarcha falló. Causa que la unidad no elimine apropiadamente la escarcha y puede crear acumulación grande de escarcha. Puede llevar a daño por agua de la unidad y del piso circundante	Desenchufe inmediatamente el cable de suministro de energía y llame al departamento de servicio para solicitar el reemplazo del sensor de eliminación de escarcha

## USO DE SU CONTROL ELECTRÓNICO



- **Corte de energía:** si se interrumpe la alimentación al artefacto, el indicador de estado del sistema se apagará y comenzará a parpadear el indicador "Corte de energía". Además, se encenderá el indicador "ALARM RESET" (Apagar alarma) bajo la tecla "Encendido / Apagado". El equipo no emitirá ningún tono audible de aviso. Esta condición de alarma se puede apagar pulsando la tecla "Encendido / Apagado". Si se produce esta alarma, se recomienda que verifique el estado de los alimentos perecederos, aún cuando el artefacto funcione normalmente y la temperatura se haya recuperado, pues los cortes de energía prolongados podrían dar lugar a variaciones de temperatura excesivas que pueden arruinar los alimentos perecederos.



- **Alarma de temperatura:** Si la temperatura del compartimiento de almacenamiento se desvía excesivamente de su temperatura de consigna durante un período prolongado de tiempo, el indicador "TEMP" parpadeará, y sonará un pitido cada 60 segundos. Además, un indicador "ALARM RESET" (Apagar alarma) aparecerá debajo del teclado "ON / OFF" (Encendido / Apagado).

### NOTA

Después de una condición de alarma de temperatura alta, revise todos los productos perecederos para garantizar que son seguros para consumo.

### NOTA

La alarma de temperatura puede ocurrir como resultado de un uso intensivo o la introducción de los contenidos calientes en el compartimiento de almacenamiento. Si la alarma de temperatura persiste, su unidad puede requerir servicio.

### NOTA



La alarma audible se puede silenciar, para cada ocurrencia, para pulsando la tecla "Bloqueo".

Esta condición de alarma se puede apagar pulsando la tecla "Encendido / Apagado". Si se produce esta alarma, se recomienda que verifique el estado del contenido almacenado, aún cuando el artefacto funcione normalmente y la temperatura se haya recuperado, pues las variaciones de temperatura prolongadas pueden arruinar los alimentos perecederos.

### NOTA

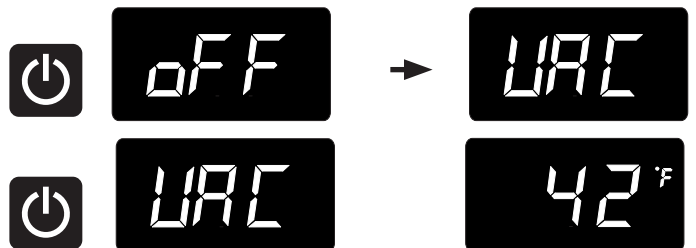
Door Ajar  
Temp

También pueden aparecer varias alarmas al mismo tiempo. Por ejemplo, una alarma de "Puerta entreabierta" durante un tiempo prolongado puede generar una alarma por temperatura "Temp" con la activación simultánea de ambos indicadores.

### Modo Vacaciones

Este modo de operación se puede utilizar para ahorrar energía mediante la desactivación de las luces, los tonos de alarma y los tonos de entrada de teclado durante los períodos en los que el costo de la energía es elevado, o cuando el artefacto no será utilizado durante un tiempo prolongado. El modo Vacaciones también sirve como modo de reposo sabático mediante la desactivación de las funciones y los controles de acuerdo con el Shabat y las fiestas religiosas observadas por la comunidad judía ortodoxa. Cuando se utiliza como modo de reposo sabático, puede abrir o cerrar la puerta en cualquier momento para acceder al contenido sin preocuparse del encendido o apagado de luces, indicaciones digitales, solenoides, ventiladores, válvulas, compresor, íconos, tonos audibles o alarmas.

Cuando este modo está activado, la pantalla, los indicadores y tonos de alarma, los tonos de entrada del teclado, las luces interiores y todas las opciones están desactivadas. Todas las funciones del teclado están desactivadas excepto la de la tecla "Encendido / Apagado", necesaria para salir del modo Vacaciones. Las temperaturas del compartimiento de almacenamiento son supervisadas y controladas en la configuración antes de entrar en el modo Vacaciones.



Para acceder al modo Vacaciones (con el control fuera del modo de espera), mantenga pulsada la tecla "Encendido / Apagado" hasta que la pantalla deje de mostrar "OFF" y aparezca "VAC". La pantalla parpadeará "VAC" 3 veces para reconocer su solicitud, a continuación, mostrará "VAC" continuamente hasta que se salga del modo Vacaciones. Un corte de energía no producirá la salida del modo Vacaciones, esto solo puede llevarse a cabo manualmente. Para salir del modo Vacaciones y volver al funcionamiento normal, mantenga pulsada la tecla "Encendido / Apagado" hasta que el control muestre la temperatura.

## CONFIGURACIONES DE ESTANTES

### Refrigerador/congelador de 24" (61 cm) de ancho (vea la Figura 13):

#### Refrigerador:

- (2) Estantes de vidrio de ancho mitad en voladizo, ajustables (vea la Figura 14)
- (1) Estante de vidrio de ancho total, posición fija
- (1) Gaveta transparente con guía de rodillos para fruta y verdura

#### Congelador:

- (1) Estante metálico de posición fija (vea la Figura 15)

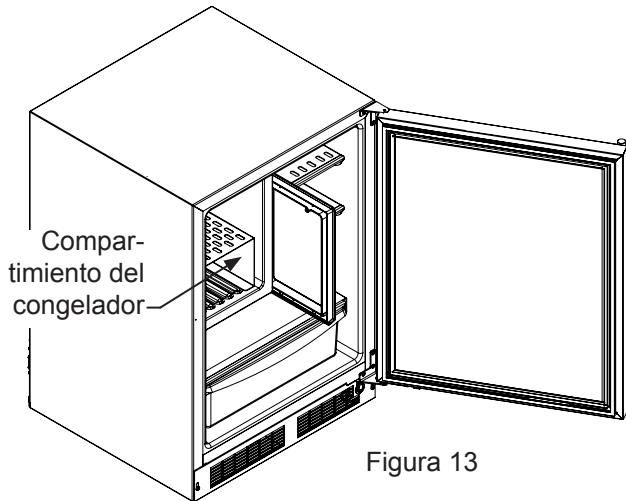


Figura 13

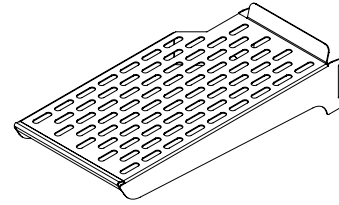


Figura 14

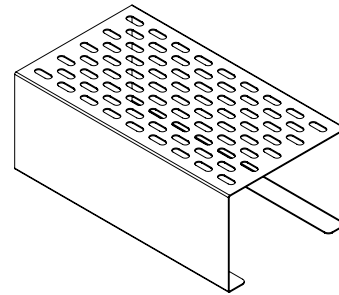


Figura 15  
Estante del congelador  
Modelo RF únicamente

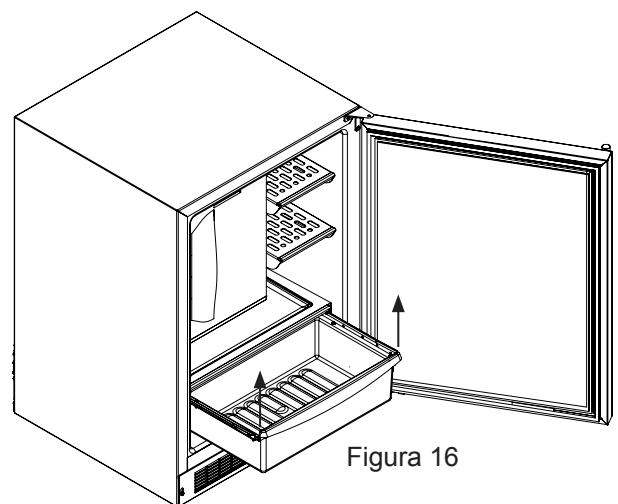


Figura 16

**Para quitar la gaveta para fruta y verdura:**  
Tire hacia afuera hasta que haga tope. Levante el frente de la gaveta y quítela del marco.

## EXTRACCIÓN DE ESTANTES

### Para agregar o quitar un estante

Retire del estante los productos almacenados. No intente quitar del artefacto un estante cargado. Agarre el frente del estante con ambas manos, haga girar el frente hacia arriba y levántelo (vea la Figura 17a). Para instalar un estante, insértelo en el artefacto, inserte los ganchos superiores en las ranuras de soporte del estante, y suelte el estante de modo que los ganchos caigan sobre el fondo de las ranuras.

### PRECAUCION

Asegúrese de que su estante en voladizo esté asegurado sobre los soportes; para ello, haga presión sobre el estante antes de cargarlo.

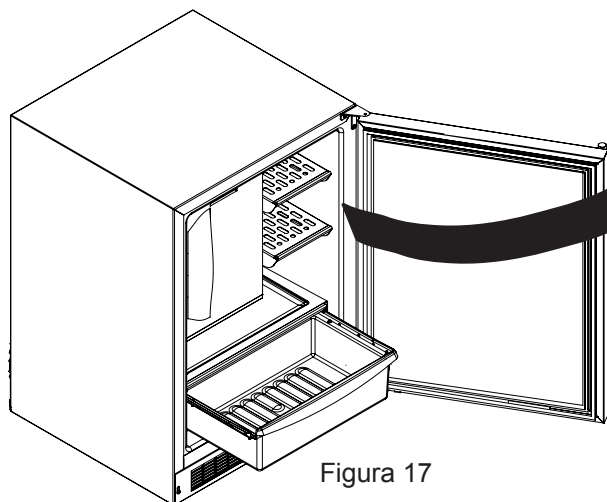


Figura 17

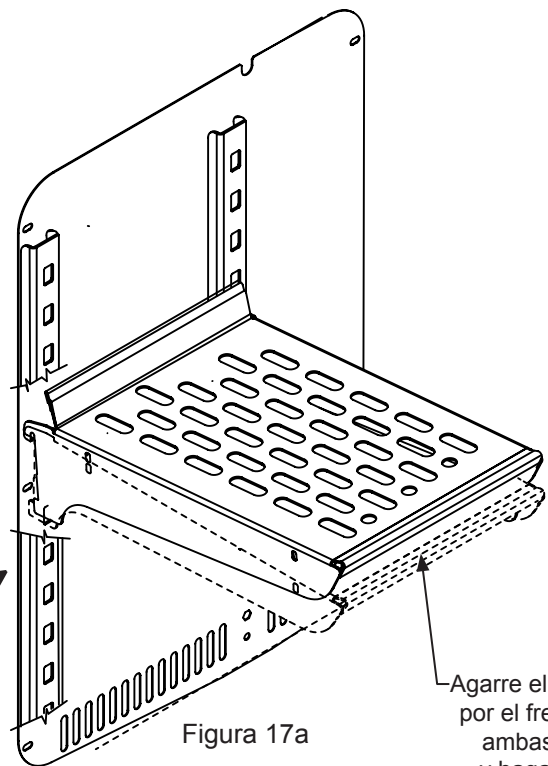


Figura 17a

Agarre el estante por el frente con ambas manos y haga rotar el frente del estante hacia arriba; luego levante el estante y quítelo de los rieles de montaje.

### PRECAUCION

No intente nunca extraer un estante cargado; quite todo el contenido del estante antes de moverlo. Al mover el estante, utilice ambas manos.

## CUIDADOS Y LIMPIEZA

### Rejilla frontal

Verifique que nada obstruye el flujo de aire requerido en las aberturas delanteras del gabinete. Cepille o limpie con una aspiradora las pelusas y suciedad acumuladas en las aberturas de la rejilla al menos una o dos veces al año (vea la página 4).



### PRECAUCION

**PELIGRO DE CHOQUE ELÉCTRICO:** Desconecte la alimentación eléctrica del artefacto antes de limpiarlo con agua y jabón.

### Gabinete

El gabinete pintado puede lavarse con agua jabonosa tibia y enjuagarse con agua limpia. NUNCA use limpiadores abrasivos.

### Interior

Lave el compartimiento interior con agua jabonosa tibia. NO utilice limpiadores abrasivos, disolventes, limpiadores pulidores ni detergentes puros.

### Cuidado del artefacto

1. Evite apoyarse en la puerta, podría doblar las bisagras de la puerta o inclinar el artefacto.
2. Tenga cuidado al barrer, pasar la aspiradora o fregar cerca del frente del artefacto pues podría dañar la rejilla.
3. Limpie periódicamente el interior de la unidad según sea necesario.
4. Revise o limpie periódicamente la rejilla delantera según sea necesario.

### Ante una falla en la alimentación eléctrica

#### Proceda como se indica a continuación

Si se interrumpe la alimentación eléctrica, trate de corregirla lo antes posible. Reduzca al mínimo las aperturas de la puerta durante la interrupción del servicio eléctrico pues ello afecta negativamente la temperatura de la unidad.

### Reemplazo del equipo de iluminación interior

Todos los modelos utilizan lámparas LED para iluminar el interior del artefacto. Este componente es muy confiable, pero si una lámpara falla, comuníquese con un técnico de servicio calificado para que reemplace el LED.

### Almacenamiento a largo plazo / Acondicionamiento para el invierno

#### (LM24REFC)

1. El momento del acondicionamiento para el invierno es cuando la temperatura ambiente mínima diaria es igual o menor de 38 °F.



### PRECAUCION

La operación de la unidad con temperaturas ambientes por debajo de la temperatura de acondicionamiento para el invierno recomendada, anulará la garantía.

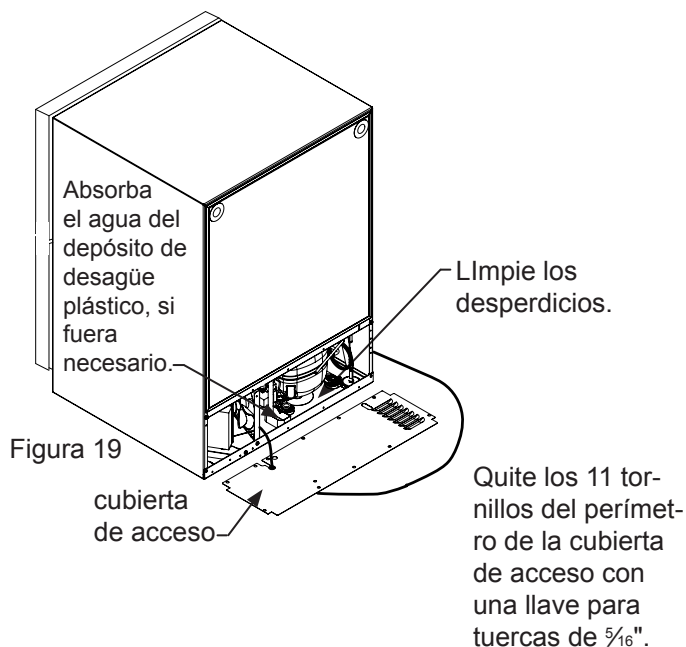
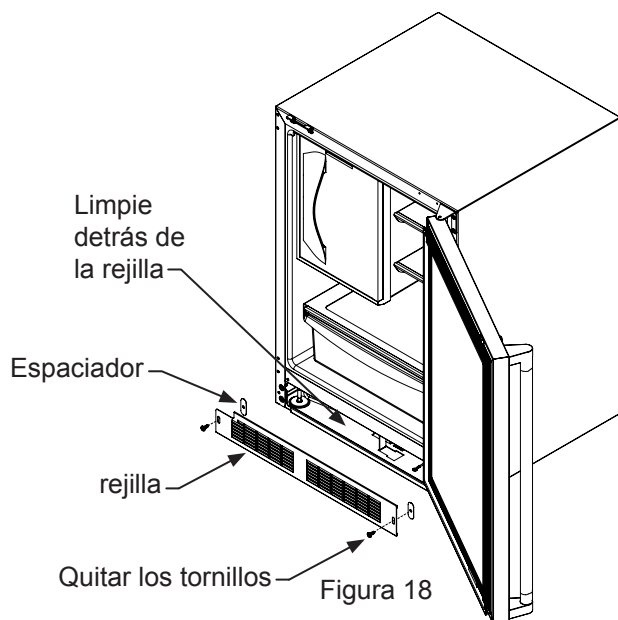
2. Apague la unidad (vea la página 11).
3. Retire todo el contenido.
4. Si fuera necesario, mueva la unidad para obtener acceso a la parte posterior.
5. Desenchufe la unidad del tomacorriente eléctrico.
6. Se recomienda también desconectar la alimentación eléctrica al tomacorriente si el circuito no es necesario para otros usos durante la estación invernal.
7. Cuando limpie la unidad, preste particular atención a toda posible grieta o hendidura que pudiera haber acumulado suciedad y desperdicios.
8. Quite la rejilla frontal de protección (vea las Figura 18) y limpie la suciedad y desperdicios de detrás de la unidad mediante un cepillo y una aspiradora.
9. Limpie bien la rejilla de protección y vuelva a instalarla en la unidad.
10. Quite la cubierta de acceso posterior (vea la Figura 19) y limpie la suciedad y desperdicios del compartimiento de la máquina mediante un cepillo y una aspiradora.
  - Si el depósito de desagüe de descongelación plástico ubicado debajo del compresor contiene agua, quite toda el agua que sea posible con una esponja.
11. Limpie bien la cubierta de acceso posterior y vuelva a instalarla en la unidad.
12. Limpie todas las superficies interiores con un limpiador antibacteriano y luego con agua de enjuague limpia, para eliminar toda sustancia química residual que pudiera generar manchas. No utilice ningún limpiador abrasivo ni estropajo.
13. Deje la puerta abierta y deje secar por completo antes de cerrarla.
14. Limpie bien el empaque de la puerta con un limpiador antibacteriano y luego con agua de enjuague limpia, para eliminar toda sustancia química residual.
15. Limpie bien el exterior con un limpiador aprobado para acero inoxidable. No utilice ningún limpiador abrasivo ni estropajo. Vea la "mantenimiento del acero inoxidable" página 20.



## CUIDADOS Y LIMPIEZA

16. Todo accesorio de montaje o sujetador que muestre indicios de corrosión debe reemplazarse.
17. Una vez que el exterior se haya limpiado a fondo, es necesario aplicar una capa de cera para autos, a fin de proteger contra el manchado debido a la humedad, suciedad y desperdicios que puedan acumularse sobre las superficies durante el período invernal.
18. No coloque una cubierta sobre la unidad, porque puede atrapar condensación.

Después de finalizar lo anterior puede optar por almacenar la unidad en interiores, si bien no es necesario.



## Puesta en marcha después de un almacenamiento a largo plazo

1. Conecte la unidad a la alimentación eléctrica y agua.
2. Si se almacenó en exteriores, se recomienda inspeccionar nuevamente la unidad a fondo en base a las instrucciones de almacenamiento precedentes, a fin de quitar toda suciedad o desperdicio proveniente de la exposición a la intemperie y/o de animales e insectos.
3. Encienda la unidad y confirme los ajustes de control deseados.
4. Espere 24 horas a que la unidad se estabilice antes de cargarla.

## CUIDADOS Y LIMPIEZA

### Almacenamiento a largo plazo / Acondicionamiento para el invierno

#### (LM24REFC, con kit de fabricante de hielo opcional):

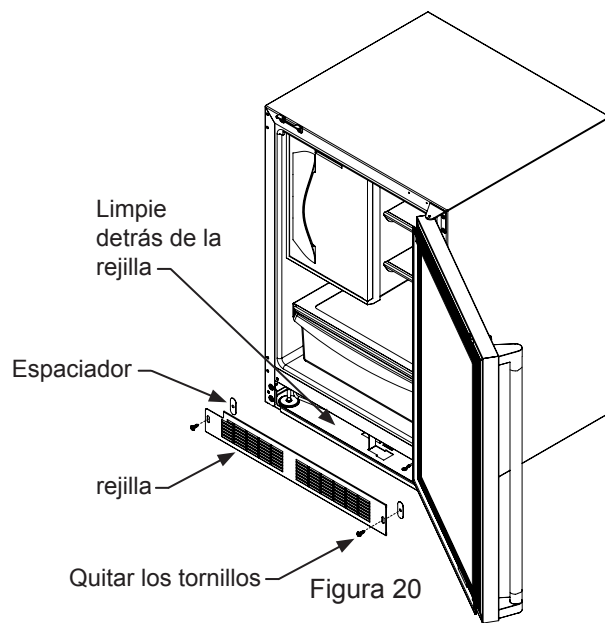
1. El momento del acondicionamiento para el invierno es cuando la temperatura ambiente mínima diaria es igual o menor de 38 °F.



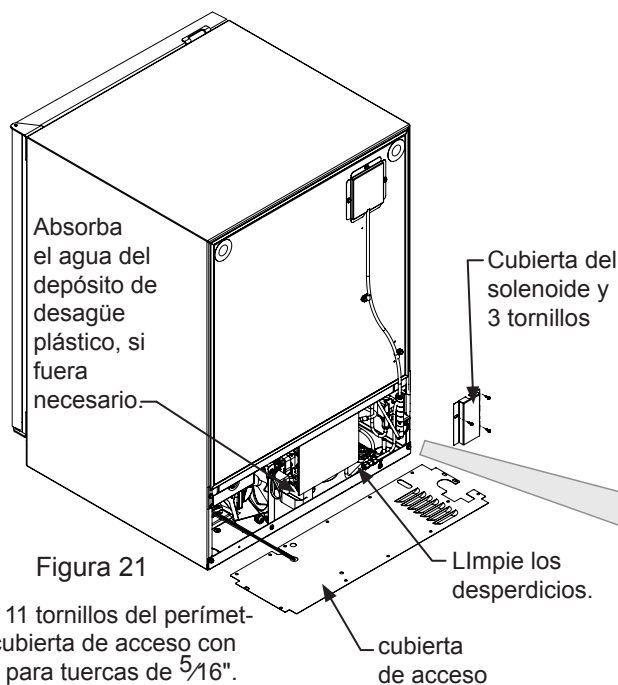
### PRECAUCION

La operación de la unidad con temperaturas ambientes por debajo de la temperatura de acondicionamiento para el invierno recomendada, anulará la garantía.

2. Levante el brazo curvo del fabricante de hielo (vea la Figura 8 en la página 7) para detener la producción de hielo.
3. Cierre el suministro de agua hacia la unidad.
4. Si fuera necesario, mueva la unidad para obtener acceso a la parte posterior.
5. Desconecte el tubo de suministro de agua fuera de la válvula de llenado de agua ubicada en la parte trasera de la unidad, (vea la página 6).
6. Asegúrese que el tubo de suministro de agua exterior está drenado o soplado para evitar congelamiento y agrietamiento del tubo de suministro.
7. Recomendamos colocar una tapa en el tubo de suministro de agua para evitar que la suciedad y los insectos obstruyan el tubo.
8. Vacíe la cubeta de hielo y coloque nuevamente la cubeta de hielo en la unidad.
9. Baje el brazo curvo del fabricante de hielo para permitir que la unidad opere hasta que el fabricante de hielo dispense hielo para vaciar el molde del fabricante de hielo.
10. Levante el brazo curvo y retire la cubeta de hielo, y limpie detalladamente con agua tibia y jabón para platos.
11. Apague la unidad para descongelar el compartimiento de almacenamiento de hielo, (vea la página 11).
12. Desenchufe la unidad del tomacorriente eléctrico.
13. Se recomienda también desconectar la alimentación eléctrica al tomacorriente si el circuito no es necesario para otros usos durante la estación invernal.
14. Cuando limpie la unidad, preste particular atención a toda posible grieta o hendidura que pudiera haber acumulado suciedad y desperdicios
15. Quite la rejilla frontal de protección (vea las Figura 20) y limpie la suciedad y desperdicios de detrás de la unidad mediante un cepillo y una aspiradora.
16. Limpie bien la rejilla de protección y vuelva a instalarla en la unidad.
17. Retire la cubierta del solenoide y 3 tornillos. (vea la Figura 21). Retire la cubierta de acceso trasera, (vea la Figura 21), y utilice una brocha y aspiradora para quitar la suciedad y desechos del compartimiento de la máquina.
  - Si la bandeja plástica colectora de agua descongelada, ubicada debajo del compresor, contiene agua, utilice una esponja para remover tanta agua como sea posible.
18. Desconecte el tubo de agua plástico fuera de la parte inferior de la válvula solenoide (vea la Figura 21a) y drene. Reconecte el tubo de agua.
19. Limpie bien la cubierta de acceso posterior y vuelva a instalarla en la unidad.
20. Limpie todas las superficies interiores con un limpiador antibacteriano y luego con agua de enjuague limpia, para eliminar toda sustancia química residual que pudiera generar manchas. No utilice ningún limpiador abrasivo ni estropajo.
21. Deje la puerta abierta y deje secar por completo antes de cerrarla.
22. Limpie bien el empaque de la puerta con un limpiador antibacteriano y luego con agua de enjuague limpia, para eliminar toda sustancia química residual.
23. Limpie bien el exterior con un limpiador aprobado para acero inoxidable. No utilice ningún limpiador abrasivo ni estropajo. Vea la "mantenimiento del acero inoxidable" página 20.
24. Todo accesorio de montaje o sujetador que muestre indicios de corrosión debe reemplazarse.
25. Una vez que el exterior se haya limpiado a fondo, es necesario aplicar una capa de cera para autos, a fin de proteger contra el manchado debido a la humedad, suciedad y desperdicios que puedan acumularse sobre las superficies durante el período invernal.



## CUIDADOS Y LIMPIEZA, CONSEJOS PARA AHORRAR ENERGÍA



Quite los 11 tornillos del perímetro de la cubierta de acceso con una llave para tuercas de  $\frac{5}{16}$ ".

### PRECAUCION

Antes de encender la máquina de hielo debe activarse el suministro de agua de la misma. Si no se hace así, se producirá un ciclado seco rápido del calentador del molde de la máquina de hielo, lo que va a dar como resultado problemas de control de temperatura en el compartimiento del congelador.

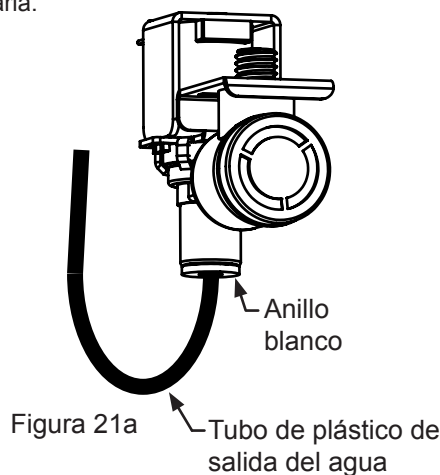
### Consejos para ahorrar energía

#### Las siguientes sugerencias reducirán al mínimo el costo de utilización de su artefacto de refrigeración.

1. No instale el artefacto cerca de un electrodoméstico que emita calor (cocina, lavavajillas, etc.), conductos de calefacción y otras fuentes de calor.
2. Instale el producto alejado de la luz solar directa.
3. Verifique que los orificios de ventilación de la rejilla delantera del artefacto ubicada bajo la puerta no estén obstruidos y manténgalos limpios para permitir la evacuación del calor que genera el sistema de refrigeración.
4. Conecte el artefacto a un circuito de alimentación exclusivo (no compartido con otros equipos).
5. La primera vez que cargue su nuevo artefacto, o cuando coloque grandes cantidades de productos calientes en el compartimiento de almacenamiento refrigerado, abra la puerta la menor cantidad de veces posible durante las siguientes 12 horas para permitir que el contenido alcance la temperatura programada.

#### Puesta en marcha después de un almacenamiento a largo plazo

1. Conecte la unidad a la alimentación eléctrica y agua.
2. Si se almacenó en exteriores, se recomienda inspeccionar nuevamente la unidad a fondo en base a las instrucciones de almacenamiento precedentes, a fin de quitar toda suciedad o desperdicio proveniente de la exposición a la intemperie y/o de animales e insectos.
3. Encienda la unidad y confirme los ajustes de control deseados.
4. Espere 24 horas a que la unidad se estabilice antes de cargarla.



#### Para desconectar el tubo de salida del agua:

Empuje hacia arriba el anillo blanco y tire del tubo de plástico de agua desde la parte inferior de la válvula de agua.

#### Para reconectar el tubo de salida del agua:

Basta insertar el tubo de plástico en el anillo blanco y empujarlo hasta que haga tope (una  $\frac{1}{2}$ ", 12 mm, del tubo de agua entra en la válvula).

6. Mantenga el compartimiento de almacenamiento relativamente lleno; el artefacto funcionará durante menos tiempo que con el compartimiento vacío.
7. Verifique que el cierre de la puerta no esté obstruido por los productos almacenados en el artefacto.
8. Si el producto que será almacenado está caliente, deje que alcance la temperatura ambiente antes de colocarlo en el artefacto.
9. Reduzca al mínimo la cantidad de veces que abre la puerta y el tiempo en que esta permanece abierta.
10. Utilice la temperatura de consigna más cálida que se adapte a sus preferencias personales y que ofrezca el almacenamiento más adecuado para sus productos.
11. Al salir de vacaciones o estar fuera de la casa durante períodos prolongados, ajuste el artefacto a la mayor temperatura aceptable para el contenido almacenado y eleve el brazo de gancho de la máquina de hielo para interrumpir la producción de hielo.
12. Si la limpieza del artefacto requiere que la puerta permanezca abierta durante un período prolongado, ajuste el control a la posición de apagado "Off".

# MANTENIMIENTO DEL ACERO INOXIDABLE

## SOLICITUD DE SERVICIO TÉCNICO

### Introducción

El acero inoxidable no se mancha, corroe ni oxida tan fácilmente como el acero ordinario, pero no es a prueba de manchas ni de corrosión. Los aceros inoxidables pueden alterar su color o corroerse si no se mantienen de manera correcta.

Los aceros inoxidables difieren de los aceros al carbono comunes en la proporción de cromo que contienen. Es este cromo el que proporciona a la superficie una película protectora invisible, llamada óxido de cromo. Esta película protectora de óxido de cromo de la superficie puede dañarse o contaminarse, lo que da como resultado alteración del color, manchado o corrosión del metal de base.

### Cuidado y limpieza

La limpieza de rutina de las superficies de acero inoxidable servirá para prolongar considerablemente la vida útil de su producto, gracias a la eliminación de contaminantes. Esto es especialmente importante en áreas costeras, que pueden exponer el acero inoxidable a contaminantes severos como las sales haloideas (cloruro de sodio).

Se recomienda muy especialmente la inspección y limpieza a fondo periódicas de hendiduras, puntos de soldadura, debajo de los empaques, remaches, cabezas de pernos y toda ubicación en la que se pudiera acumular una pequeña cantidad de líquido, para luego estancarse y concentrar contaminantes. Además, todo accesorio de montaje que muestre indicios de corrosión debe reemplazarse.

La frecuencia de las limpiezas dependerá de las condiciones de uso, de ubicación de la instalación y ambientales.

### Elección de un producto de limpieza

La elección de un producto de limpieza adecuado está finalmente en manos del usuario. Existen muchos productos entre los cuales elegir. Según sea el tipo de limpieza y el grado de contaminación, algunos productos son mejores que otros.

Normalmente, la manera más efectiva y eficiente de limpieza de rutina de la mayoría de los productos de acero inoxidable es dar a las superficies un frotamiento enérgico con un paño suave remojado en agua tibia y un detergente suave, o una mezcla suave de amoníaco. El frotamiento, en la medida de lo posible, debe seguir las líneas de pulimento del acero, y se debe asegurar siempre un enjuague a fondo después de la limpieza.

Si bien existen productos que llevan el nombre de 'limpiadores de acero inoxidable', algunos de ellos contienen sustancias abrasivas que podrían provocar rayones en la superficie (que comprometen la película protectora de óxido de cromo), y muchos otros contienen blanqueador a base de cloro, que opacará, manchará o alterará el color de la superficie si no se quita por completo.

Después de haber limpiado a fondo las superficies de acero inoxidable, debe aplicarse una cera para autos de buena calidad para ayudar a mantener el acabado.

## NOTA

Los productos de acero inoxidable no deben instalarse ni almacenarse nunca en la proximidad de sustancias químicas a base de cloro.

Cualquiera sea el producto de limpieza que utilice, debe hacerlo estrictamente de acuerdo con las instrucciones del fabricante del limpiador.

### If Service is Required

#### Si necesita asistencia técnica tenga en cuenta lo siguiente:

- Si aún no ha finalizado el primer año del período de garantía del producto, comuníquese con su distribuidor o llame al servicio de atención al cliente de Lynx Grills al teléfono 888-289-5969 para solicitar instrucciones sobre cómo obtener cobertura por garantía en su localidad.
- Si el período de garantía de un año ha caducado, el servicio de atención al cliente de Lynx Grills puede recomendarle un centro de servicios técnicos cercano a su domicilio.
- En toda correspondencia referida a asistencia técnica, no olvide incluir el número de servicio/modelo, el número de serie y la prueba de compra de la unidad.
- Trate de obtener toda la información posible o la descripción del problema, cuánto tiempo ha estado en funcionamiento el artefacto, la temperatura de la habitación y cualquier otra información adicional que pueda ser de utilidad para resolver rápidamente el problema.
- La Tabla 'A' se suministra para registrar la información correspondiente a su producto para consultas futuras.

Para su registro	
Fecha de la compra	
Nombre del distribuidor	
Dirección del distribuidor	
Ciudad	
Estado	
Código postal	
Número de serie del artefacto	
Número de servicio/modelo del artefacto	
Fecha en la que envió la tarjeta de la garantía (debe ser dentro de los 10 días de la compra).	

Tabla A

# LOCALIZACIÓN DE FALLAS

## Antes de llamar al servicio técnico siga estos consejos

Si el artefacto parece estar funcionando mal, lea primero este manual. Si el problema persiste, vea la guía de localización de fallas incluida a continuación. Antes de llamar al servicio técnico, localice el problema en la guía y consulte su causa y su solución. Tal vez el problema sea algo muy simple que puede resolverse sin llamar al servicio técnico. Sin embargo, puede ser necesario ponerse en contacto con su distribuidor o con un técnico de servicio calificado.

### NOTA

Su producto tiene una función de descongelación automática que utiliza un elemento calentador eléctrico. Periódicamente durante la descongelación se puede observar lo siguiente:

- Sonidos de goteo y el agua que fluye causados por el derretimiento de la escarcha.
- El chisporrotear y el crepitar de agua goteando sobre el elemento calefactor.
- Un débil resplandor rojizo en el compartimiento del congelador desde del elemento calentador eléctrico.

Esas son todas las características de funcionamiento "normal" asociados con productos de refrigeración que incorporan descongelación automática. No representan un defecto del producto o de un problema de seguridad.



### PRECAUCION

En el caso improbable que usted pierda enfriamiento en su unidad, no desenchufe la unidad fuera del suministro eléctrico, y llame inmediatamente un técnico de servicio calificado. Es posible que la pérdida de capacidad de enfriamiento sea el resultado de una acumulación excesiva de escarcha en el serpentín de enfriamiento del evaporador. En este caso, retirar la energía que va hacia la unidad resultará en el derretimiento de esta cantidad excesiva de hielo, lo cual podría generar que el agua derretida exceda la capacidad del sistema colector de agua descongelada y podría resultar en daño por agua de su casa. El usuario final será el responsable final de cualquier daño por agua causado por apagar prematuramente la unidad sin manejar apropiadamente el exceso de agua de rebose.



### ADVERTENCIA

#### Peligro de electrocución

- Nunca intente reparar o realizar tareas de mantenimiento en el artefacto sin haberlo previamente desconectado de la alimentación eléctrica. Apagar el artefacto desde el control no desconecta la corriente eléctrica de los cables del artefacto.
- Vuelva a colocar todas las piezas y paneles antes de poner en funcionamiento.

Problema	Causa posible	Solución
El artefacto no enfría lo suficiente (vea "Ajuste de la temperatura" en la página 11).	<ul style="list-style-type: none"> <li>• El control está ajustado a una temperatura muy alta.</li> <li>• La temperatura del contenido no se ha estabilizado.</li> <li>• Uso excesivo o aperturas prolongadas de la puerta.</li> <li>• Obstrucción del flujo de aire en la rejilla delantera.</li> <li>• La junta de la puerta no sella correctamente.</li> </ul>	<ul style="list-style-type: none"> <li>• Ajuste a una temperatura más fría. Espere 24 horas hasta que la temperatura se estabilice.</li> <li>• Deje que la temperatura se estabilice por al menos 24 horas.</li> <li>• El flujo de aire por la rejilla delantera no debe estar obstruido. Vea "Espacios libres" en la página 4.</li> <li>• Reemplace la junta de la puerta.</li> </ul>
El artefacto enfría demasiado (vea "Ajuste de la temperatura" en la página 11).	<ul style="list-style-type: none"> <li>• El control está ajustado a una temperatura muy baja.</li> <li>• La junta de la puerta no sella correctamente.</li> </ul>	<ul style="list-style-type: none"> <li>• Ajuste a una temperatura más cálida. Espere 24 horas hasta que la temperatura se estabilice.</li> <li>• Reemplace la junta de la puerta.</li> </ul>
La luz interior no funciona.	<ul style="list-style-type: none"> <li>• Falla en el dispositivo de iluminación LED o en el interruptor de la luz.</li> </ul>	<ul style="list-style-type: none"> <li>• Comuníquese con un técnico de servicio calificado.</li> </ul>
La luz no se apaga al cerrar la puerta.	<ul style="list-style-type: none"> <li>• La puerta no activa el interruptor de la luz.</li> <li>• Falla del interruptor de la luz.</li> </ul>	<ul style="list-style-type: none"> <li>• El artefacto está desnivelado; nivele el artefacto (vea "Patatas niveladoras" en la página 4).</li> <li>• Comuníquese con un técnico de servicio calificado.</li> </ul>
Ruido o vibración.	<ul style="list-style-type: none"> <li>• El artefacto está desnivelado.</li> <li>• El ventilador golpea contra una obstrucción en el conducto.</li> </ul>	<ul style="list-style-type: none"> <li>• Nivele el artefacto, vea "Patatas niveladoras" en la página 4.</li> <li>• Comuníquese con un técnico de servicio calificado.</li> </ul>
El artefacto no funciona.	<ul style="list-style-type: none"> <li>• El artefacto está apagado.</li> <li>• El cordón de alimentación no está enchufado.</li> <li>• No hay energía en la toma de corriente.</li> </ul>	<ul style="list-style-type: none"> <li>• Encienda el artefacto. Vea "Puesta en funcionamiento de su artefacto" en la página 10.</li> <li>• Enchufe el cordón de alimentación.</li> <li>• Revise el circuito de la casa.</li> </ul>

## LOCALIZACIÓN DE FALLAS DE LA MÁQUINA DE HIELO

Problema	Causa posible	Solución
La unidad funciona pero produce poco o nada de hielo.	<ul style="list-style-type: none"> <li>La unidad acaba de arrancar, o ha funcionado durante menos de 24 horas.</li> </ul>	<ul style="list-style-type: none"> <li>La producción de hielo normal es de 6 a 7 libras por día. Espere a que la sección del congelador alcance la temperatura correcta, y que la máquina de hielo haga ciclos y acumule hielo.</li> </ul>
	<ul style="list-style-type: none"> <li>El suministro de agua no está abierto.</li> </ul>	<ul style="list-style-type: none"> <li>Abra el suministro de agua a la unidad.</li> </ul>
	<ul style="list-style-type: none"> <li>La presión del suministro de agua a la unidad es inadecuada.</li> </ul>	<ul style="list-style-type: none"> <li>La presión de agua para la unidad debe ser de 20 psi como mínimo.</li> </ul>
	<ul style="list-style-type: none"> <li>El brazo de corte de la máquina de hielo está en su posición extrema superior (Apagado).</li> </ul>	<ul style="list-style-type: none"> <li>Cuando el brazo de corte de la máquina de hielo está en la posición extrema superior, la máquina de hielo está apagada. Gire el brazo hacia abajo para encender la máquina de hielo.</li> </ul>
	<ul style="list-style-type: none"> <li>La sección del congelador no ha alcanzado la temperatura correcta.</li> </ul>	<ul style="list-style-type: none"> <li>Espere a que la sección del congelador alcance la temperatura correcta.</li> </ul>
	<ul style="list-style-type: none"> <li>Control del termostato ajustado a una temperatura demasiado alta.</li> </ul>	<ul style="list-style-type: none"> <li>Gire el control de temperatura hasta un número mayor, para que la unidad funcione más fría. Espere 24 horas antes de volver a ajustar el control de temperatura.</li> </ul>
	<ul style="list-style-type: none"> <li>La circulación de aire del ventilador del condensador está restringida.</li> </ul>	<ul style="list-style-type: none"> <li>Asegúrese de que la rejilla del frente de la unidad esté libre y abierta para la circulación de aire. Se requiere que la rejilla esté limpia.</li> </ul>
	<ul style="list-style-type: none"> <li>La temperatura ambiente y/o la del agua son demasiado altas.</li> </ul>	<ul style="list-style-type: none"> <li>Traslade la unidad a un lugar en el que la temperatura ambiente sea menor de 90 °F. La unidad no debe colocarse cerca de una fuente de calor, como por ejemplo un horno. Revise la conexión de agua fría.</li> </ul>
Cubos de hielo pequeños	<ul style="list-style-type: none"> <li>La presión de agua es demasiado baja.</li> </ul>	<ul style="list-style-type: none"> <li>La línea de suministro de agua está retorcida.</li> <li>Hay acumulación de sedimentos en la línea de suministro de agua.</li> </ul>
	<ul style="list-style-type: none"> <li>Puede que se necesite ajustar la entrada de agua.</li> </ul>	<ul style="list-style-type: none"> <li>Debido a las presiones de agua diferentes, puede que se necesite ajustar la entrada de agua a la máquina de hielo. Comuníquese con un técnico de servicio calificado.</li> </ul>
Los cubos de hielo se adhieren entre sí.	<ul style="list-style-type: none"> <li>El consumo de hielo es bajo.</li> </ul>	<ul style="list-style-type: none"> <li>Si se almacena el hielo durante períodos prolongados, quedará adherido.</li> </ul>
	<ul style="list-style-type: none"> <li>Cubos de hielos huecos con un centro líquido, que se rompen cuando se dispensan en la cubeta.</li> </ul>	<ul style="list-style-type: none"> <li>Falla de funcionamiento de la máquina de hielo: llame al servicio técnico.</li> </ul>

## LA HISTORIA DE LYNX

Lynx comenzó con una visión.

Un pequeño grupo de ingenieros de fabricación con más de un siglo de experiencia colectiva tuvo un sueño. Se atrevieron a tomar su amplio conocimiento de fabricación comercial y crear una línea de productos de cocina al aire libre que ofrecen elegancia comercial y rendimiento al mercado de consumo.



Lynx ha tomado la calidad, mano de obra, servicio e innovación del mercado comercial y la incorporó a la línea Lynx Professional Grills de productos de consumo y comercial. La combinación de diseño creativo, materiales de calidad superior y la artesanía excepcional eleva productos Lynx a una clase propia.

Los productos comerciales originales de Lynx se usan todos los días en restaurantes, hoteles y parques temáticos a través de los Estados Unidos:

### Clientes satisfechos de Lynx

- TGI Fridays
- Applebee's
- Houston's
- Red Lobster
- Hard Rock Café
- Wolfgang Puck's
- Cheesecake Factory
- Red Robin
- Planet Hollywood
- Hilton
- Hyatt
- Four Seasons Marriott  
Le Meridian
- Sheraton
- Conrad International
- Bellagio
- New York New York
- MGM Grand
- Treasure Island
- Mirage
- Paris
- Venetian
- Excalibur
- Mandalay Bay
- Riviera
- Desert Inn
- Hard Rock Hotel
- Disney World



Los mejores productos de cocina exteriores provienen de:  
Lynx Grills, Inc. 7300 Flores Street Downey, CA 90242  
Servicio: (888)-289-5969 Fax: (562) 299-6789  
[www.lynxgrills.com](http://www.lynxgrills.com)