



Scan to see the online manual.



# OWNER'S MANUAL

# FRENCH DOOR

# REFRIGERATOR

---

Read this owner's manual thoroughly before operating the appliance and keep it handy for reference at all times. This abridged owner's manual addresses user safety, precautions, and installation information.

To view the complete owner's manual, you may:

1. Online manual: Visit the LG website at: <http://gscs-manual.lge.com/Total/HQ/GatewayPage/main.html> or scan the QR code above; or
2. Printable PDF manual: Visit [lg.com](http://lg.com) and search for your model number; or
3. Call or write to customer service as provided in your Limited Warranty.

## ENGLISH

LRFDS3006\*, LRFVS3006\*, LRFVC2406\*, LRFXC2406\*, LRFDS3016\*, LRFXC2416\*, LRFDC2406\*,  
LRMDS3006\*, LRMVS3006\*, LRMDC2306\*, LRMVC2306\*, LLMXS3006\*, LRMXS3006\*, LRFOC2606\*,  
LRFGC2706\*, LRFLC2706\*, LRFXC2606\*, LLFGC2706\*, LRYKS3106\*, LRYXS3106\*, LRYKC2606\*,  
LRYXC2606\*, LCFC26XS\*, LF29S8250\*, LF30S8210\*, LF29S8330\*, LF29H8330\*, LF30H8210\*,  
LRFXS3106\*, LRFLS3206\*, LF29S8230\*, LF25G8330\*, LF25C8330\*, LF26G8210\*, LRFOC2606\*,  
LF31S6360\*, LF26C6360\*



MFL69497056  
Rev.08\_020824

[www.lg.com](http://www.lg.com)

Copyright © 2023-2024 LG Electronics Inc. All Rights Reserved.

2

---

## TABLE OF CONTENTS

### 3 IMPORTANT SAFETY INSTRUCTIONS

---

- 3 READ ALL INSTRUCTIONS BEFORE USE
- 3 WARNING
- 6 CAUTION

### 8 PRODUCT OVERVIEW

---

- 8 Product Features

### 10 INSTALLATION

---

- 10 Before Installing
- 11 Choosing the Proper Location
- 15 Removing/Assembling Handles
- 16 Removing/Assembling Doors and Drawers
- 21 Connecting Refrigerator to Water Supply
- 23 Leveling and Door Alignment
- 25 Turning on the Power

### 26 OPERATION

---

- 26 Online Owner's Manual
- 26 Control Panel
- 33 InstaView
- 33 Sabbath Mode
- 33 Ice and Water Dispenser
- 34 Automatic Icemaker
- 36 Full-Convert Drawer™

### 37 SMART FUNCTIONS

---

- 37 LG ThinQ Application
- 39 Smart Grid Function

### 40 MAINTENANCE

---

- 40 Cleaning
- 41 Air Filter
- 41 Water Filter

### 47 TROUBLESHOOTING

---

- 47 FAQs
- 48 Before Calling for Service

### 49 LIMITED WARRANTY

---

- 49 USA
- 53 Canada

# IMPORTANT SAFETY INSTRUCTIONS

## READ ALL INSTRUCTIONS BEFORE USE

### Safety Messages

**Your safety and the safety of others are very important.**

We have provided many important safety messages in this manual and on your appliance. Always read and follow all safety messages.



This is the safety alert symbol.

This symbol alerts you to potential hazards that can kill or injure you and others. All safety messages will follow the safety alert symbol and either the word **WARNING** or **CAUTION**.

These words mean:



#### **WARNING**

You may be killed or seriously injured if you do not follow instructions.



#### **CAUTION**

You may be injured or cause damage to the product if you do not follow instructions.

All safety messages will tell you what the potential hazard is, tell you how to reduce the chance of injury, and tell you what may happen if the instructions are not followed.

## WARNING

### **WARNING**

- To reduce the risk of explosion, fire, death, electric shock, scalding or injury to persons when using this product, follow basic precautions, including the following:

### Installation

- To reduce the risk of injury to persons, adhere to all industry recommended safety procedures including the use of long-sleeved gloves and safety glasses.
- Never attempt to operate this appliance if it is damaged, malfunctioning, partially disassembled, or has missing or broken parts, including a damaged cord or plug.
- Only connect this product to a dedicated grounded electrical outlet rated for use with this product (115 V, 60 Hz, AC only). It is the user's responsibility to replace a standard 2-prong wall outlet with a standard 3-prong wall outlet.
- Do not use an outlet that can be turned off with a switch. Do not use an extension cord.
- The appliance must be positioned for easy access to a power source.
- When moving the refrigerator, be careful not to roll over or damage the power cord.
- Contact an authorized service center when installing or relocating the refrigerator.
- Do not, under any circumstances, cut or remove the third (ground) prong from the power cord.
- Keep packing materials out of the reach of children. Packaging material can be dangerous for children. There is a risk of suffocation.
- Do not install the refrigerator in a damp or dusty place where insulation on electrical parts may deteriorate.
- Do not place the refrigerator in direct sunlight or expose it to the heat from heating appliances such as stoves or heaters.

## 4 IMPORTANT SAFETY INSTRUCTIONS

---

- Do not bend or pinch the power cord excessively or place heavy objects on it.
- When positioning the appliance, ensure the supply cord is not trapped or damaged.
- Do not locate multiple portable socket-outlets or portable power supplies at the rear of the appliance.

### Operation

- This appliance is intended to be used in household and similar applications such as:
  - staff kitchen areas in shops, offices and other working environments;
  - farm houses and by clients in hotels, motels and other residential type environments;
  - bed and breakfast type environments;
  - catering and similar non-retail applications.
- This appliance is not for use in portable or mobile installations, such as marine or RV uses, where it will be in motion while operating.
- This appliance is not intended for use by persons (including children) with reduced physical, sensory or mental capabilities, or lack of experience and knowledge, unless they have been given supervision or instruction concerning use of the appliance by a person responsible for their safety.
- This product is not to be used for special purposes such as the storage of medicine or test materials or for use on ships, etc.
- DO NOT allow children to climb, stand, or hang on the refrigerator doors or on the shelves in the refrigerator. They could damage the refrigerator and seriously injure themselves.
- Do not allow children to climb into the refrigerator. They could be trapped and suffocated.
- Children should be supervised to ensure that they do not play with the refrigerator.
- Keep fingers out of pinch point areas; clearances between the doors and cabinets are necessarily small. Be careful closing doors when children are nearby.
- Do not touch frozen food or the metal parts in the freezer compartment with wet or damp hands. Doing so may cause frostbite.
- Do not refreeze frozen food that has thawed completely. Doing so may result in a serious health hazard.
- Do not use an adapter plug or plug the power plug into a multi-outlet extension cord.
- If the supply cord is damaged, it must be replaced by the manufacturer or its service agent or a similarly qualified person in order to avoid a hazard.
- Do not operate the refrigerator or touch the power cord with wet hands.
- Do not modify or extend the power cord.
- Do not use an uncertified power outlet. Do not plug appliance into a damaged wall outlet.
- Do not put hands, feet or other objects into the air vents or bottom of the refrigerator. Doing so could result in personal injury or electric shock.
- In the event of a gas leak (propane/LPG), ensure the area is adequately ventilated and contact an authorized service center before resuming use. Do not touch the refrigerator or power cord of the refrigerator.
- Disconnect the power cord immediately and contact an authorized service center if there is a strange noise, odor, or smoke coming from the appliance.
- Do not use any fuse (such as copper, steel wire, etc.) other than a standard fuse.
- Do not put animals inside the appliance.
- Do not place heavy or fragile objects, liquid filled containers, combustible substances, or flammable objects (such as candles and lamps) on the appliance.
- If connected to a circuit protected by fuses, use time delay fuse.
- Keep ventilation openings, in the appliance enclosure or in the built-in structure, clear of obstruction.
- Do not use mechanical devices or other means to accelerate the defrosting process, other than those recommended by the manufacturer.



- Do not use electrical appliances inside the food storage compartments of the appliance, unless they are of the type recommended by the manufacturer.
- Do not store explosive substances such as aerosol cans with a flammable propellant in this appliance.
- If the **Durabase** divider is removed, there is enough open space for children or pets to crawl inside. To prevent accidental child and pet entrapment or suffocation risk, DO NOT allow children or pets to touch or go near the drawer.
- Do not damage the refrigerant circuit.
- This appliance incorporates an earth connection for functional purposes.
- Connect to potable water supply only.
  - If connected to a water supply, connect to a potable water supply only.
- Fill with potable water only.
  - If using an icemaker or dispenser water tank, make sure to fill it with potable water only.

## Maintenance

- Do not use a hair dryer to dry the inside of the refrigerator.
- Do not light a candle to remove odors in the refrigerator.
- In the event of a refrigerant leak, move flammable objects away from the refrigerator. Ensure the area is adequately ventilated and contact an authorized service center.
- Keep flammable materials and vapors, such as gasoline, away from the refrigerator.
- Unplug the power plug before cleaning or repairing the refrigerator.
- The refrigerator and freezer compartment lights are interior LED lighting, and service should be performed by a qualified technician.
- Unplug the power plug immediately in the event of a blackout or thunderstorm.
- Turn the power off if water or dust penetrates into the refrigerator. Call a service agent.
- Do not store glass containers or soda in the freezer compartment. Contents may expand when frozen, break the container and cause injury.
- Do not store, disassemble or repair the appliance yourself or allow unqualified personnel to do so.

## Disposal

- Risk of child entrapment. Junked or abandoned refrigerators are dangerous, even if they are sitting for only a few days. When disposing of the refrigerator, remove the packing materials from the door or take off the doors but leave the shelves in place so that children may not easily climb inside.
- If disposing of a refrigerator, make sure the refrigerant and insulation foam are removed for proper disposal by a qualified servicer. If you release the refrigerant or throw away the insulation foam, you may be fined or imprisoned in accordance with the relevant environmental law. Insulation foam contains flammable blowing gas.
- When discarding the appliance, remove the door gasket while leaving the shelves and bins in place, and keep children away from the appliance.

## Grounding Instructions

- Improper connection of the equipment-grounding conductor can result in a risk of electric shock. Check with a qualified electrician or service personnel if you are in doubt whether the appliance is properly grounded. Do not modify the plug provided with the appliance; if it will not fit the outlet, have a proper outlet installed by a qualified electrician.
- Have a certified electrician check the wall outlet and wiring for proper grounding.

## 6 IMPORTANT SAFETY INSTRUCTIONS

---

- Never unplug the appliance by pulling on the power cord. Always grip the plug firmly and pull straight out from the outlet. Failure to do so may damage the power cord, resulting in a risk of fire and electric shock.

### Risk of Fire and Flammable Materials



This symbol alerts you to flammable materials that can ignite and cause a fire if you do not take care.

This appliance contains a small amount of isobutane refrigerant (R600a), which is combustible. When transporting and installing the appliance, care should be taken to ensure that no parts of the refrigerating circuit are damaged. Refrigerant squirting out of the pipes could ignite or cause an eye injury. If a leak is detected, avoid any naked flames or potential sources of ignition and air out the room in which the appliance is standing for several minutes.

In order to avoid the creation of a flammable gas air mixture if a leak in the refrigerating circuit occurs, the size of the room in which the appliance may be sited depends on the amount of refrigerant used. The room must be 10.8 square feet (1 square meter) in size for every 8g of R600a refrigerant inside the appliance. The amount of refrigerant in your particular appliance is shown on the identification plate inside the appliance. Never start up an appliance showing any signs of damage. If in doubt, consult your dealer.

## CAUTION

### CAUTION

- To reduce the risk of minor or moderate injury to persons, malfunction, or damage to the product or property when using this product, follow basic precautions, including the following:

### Installation

- Do not install the refrigerator where there may be a danger of the unit falling.
- The refrigerator must be properly installed in accordance with the Installation Instructions.

### Operation

- This appliance is intended to be used only in domestic and similar applications.
- Do not scratch the refrigerator with a sharp object or use a detergent that contains alcohol, a flammable liquid or an abrasive when removing any tape or adhesive from the refrigerator. Remove adhesive residue by wiping it off with your thumb or dish detergent.
- Do not peel off the model or serial number label or the technical information on the rear surface of the refrigerator.
- Putting food in the refrigerator before it has cooled could cause the food to spoil, or a bad odor to remain inside the refrigerator.
- Keep hands and tools out of the ice compartment door and dispenser chute. Failure to do so may result in damage or personal injury.
- Keep the ice compartment door closed tightly. If the ice compartment door is not closed tightly, the cold air in the ice bin will freeze food in the refrigerator compartment. This could also cause the icemaker to stop producing ice.
- Storing cans or other items in the ice bin will damage the icemaker.
- Store only ice in the ice bin. Do not store ice scooping tools or other items in the ice bin.
- Ice may overflow when removing or assembling the ice bin. Remove any ice in the bin area before assembling the ice bin.

- Make sure that the ice bin is assembled in the correct orientation front to back.
- Models with two ice bins in the freezer:
  - The **Craft Ice** bin is located on the left and the **Mini Cubed Ice** bin is located on the right. Do not change the positions of the two ice bins.
  - Do not store **Craft Ice** in the **Mini Cubed Ice** bin or **Mini Cubed Ice** in the **Craft Ice** bin.
- Never use thin crystal glasses or containers to collect ice. Such containers may chip or break resulting in glass fragments in the ice.
- Only qualified service personnel from an LG Electronics service center should disassemble or repair the icemaker.
- When handling the ice bin, keep hands away from the icemaker tray area to avoid personal injury.
- Avoid touching the auto shutoff (feeler arm) when replacing the ice bin. See the label on the ice compartment door for details.
- Do not use aerosols near the refrigerator.
- Do not strike or apply excessive force to any glass surface. Do not touch glass surfaces if they are cracked or broken.
- Do not overfill or pack items too tightly into door bins. Doing so may cause damage to the bin or personal injury if items are removed with excessive force.
- Do not store glass containers in the freezer. Contents may expand when frozen, break the container and cause injury.
- Glass shelves are heavy. Use special care when removing them.
- Do not clean glass shelves with warm water while they are cold. Shelves may break if exposed to sudden temperature changes or impact. You may be injured.
- Make sure that shelves are level from one side to the other. Failure to do so may result in the shelf falling or spilled food.
- Regularly detach and wash the storage bins and shelves; they can become easily contaminated by food.
- Do not apply excessive force while detaching or assembling the storage bins.
- Do not use the dishwasher to clean the storage bins and shelves.

## Maintenance

- Do not use strong detergents like wax or thinners for cleaning. Clean with a soft cloth.
- Remove foreign objects (such as dust and water) off the prongs of the power plug and contact areas. Do not use a wet or damp cloth when cleaning the plug.
- Do not spray water directly on the inside or outside of the refrigerator.
- Do not clean glass shelves or covers with warm water when they are cold. They may break if exposed to sudden temperature changes.

# SAVE THESE INSTRUCTIONS

## 8 PRODUCT OVERVIEW

# PRODUCT OVERVIEW

## Product Features

The images in this guide may be different from the actual components and accessories, which are subject to change by the manufacturer without prior notice for product improvement purposes.

## Product Specifications

The appearance and specifications listed in this manual may vary due to constant product improvements.

**Electrical requirements:** 115 V, 60 Hz

**Min. / Max. water pressure:** 20 - 120 psi (138 - 827 kPa)

Model	Description	Net weight
LRFDS3006*	Standard-depth, Door-in-Door French Door Refrigerator, Bottom Freezer	331 lb (150 kg)
LRFDS3016*	Standard-depth, Door-in-Door French Door Refrigerator, Bottom Freezer, Craft Ice	328 lb (149 kg)
LRFVS3006*	Standard-depth, InstaView Door-in-Door French Door Refrigerator, Bottom Freezer, Craft Ice	337 lb (153 kg)
LRFXC2406*	Counter-depth, French Door Refrigerator, Bottom Freezer	276 lb (125 kg)
LRFXC2416*	Counter-depth, French Door Refrigerator, Bottom Freezer, Craft Ice	276 lb (125 kg)
LRFDC2406*	Counter-depth, Door-in-Door French Door Refrigerator, Bottom Freezer, Craft Ice	298 lb (135 kg)
LRFVC2406*	Counter-depth, InstaView Door-in-Door French Door Refrigerator, Bottom Freezer, Craft Ice	306 lb (139 kg)
LRMDS3006*	Standard-depth, Door-in-Door French Door Refrigerator, Bottom Freezer, Craft Ice	357 lb (162 kg)
LRMVS3006*	Standard-depth, InstaView Door-in-Door French Door Refrigerator, Bottom Freezer, Craft Ice	362 lb (164 kg)
LRMVC2306*	Counter-depth, InstaView Door-in-Door French Door Refrigerator, Bottom Freezer, Craft Ice	333 lb (151 kg)
LRMDC2306*	Counter-depth, Door-in-Door French Door Refrigerator, Bottom Freezer, Craft Ice	322 lb (146 kg)
LLMXS3006*	Standard-depth, French Door Refrigerator, Bottom Freezer	331 lb (150 kg)
LRMXS3006*	Standard-depth, French Door Refrigerator, Bottom Freezer, Craft Ice	331 lb (150 kg)
LRFOC2606*	Counter-depth, InstaView Door, French Door Refrigerator, Bottom Freezer	291 lb (132 kg)
LRFGC2706*	Counter-depth, InstaView Door, French Door Refrigerator, Bottom Freezer, Internal Water Dispenser	276 lb (125 kg)
LRFLC2706*	Counter-depth, French Door Refrigerator, Bottom Freezer, Internal Water Dispenser	249 lb (113 kg)
LRFXC2606*	Counter-depth, French Door Refrigerator, Bottom Freezer	269 lb (122 kg)
LLFGC2706*	Counter-depth, InstaView Door, French Door Refrigerator, Bottom Freezer, Internal Water Dispenser	276 lb (125 kg)

Model	Description	Net weight
LCFC26XS*	Counter-depth, French Door Refrigerator, Bottom Freezer	269 lb (122 kg)
LRYKS3106*	Standard-depth, Door-in-Door French Door Refrigerator, Bottom Freezer	350 lb (159 kg)
LRYXS3106*	Standard-depth, French Door Refrigerator, Bottom Freezer	313 lb (142kg)
LRYKC2606*	Counter-depth, Door-in-Door French Door Refrigerator, Bottom Freezer	315 lb (143 kg)
LRYXC2606*	Counter-depth, French Door Refrigerator, Bottom Freezer	277 lb (126 kg)
LF29S8250*	Standard-depth, InstaView Door, French Door Refrigerator, Bottom Freezer	333 lb (151 kg)
LF30S8210*	Standard-depth, French Door Refrigerator, Bottom Freezer, Internal Water Dispenser	291 lb (132 kg)
LF29S8330*	Standard-depth, French Door Refrigerator, Bottom Freezer	318 lb (144 kg)
LF29H8330*	Standard-depth, French Door Refrigerator, Bottom Freezer	320 lb (145 kg)
LF30H8210*	Standard-depth, French Door Refrigerator, Bottom Freezer, Internal Water Dispenser	294 lb (133 kg)
LRFXS3106*	Standard-depth, French Door Refrigerator, Bottom Freezer	304 lb (138 kg)
LRFLS3206*	Standard-depth, French Door Refrigerator, Bottom Freezer, Internal Water Dispenser	284 lb (129 kg)
LF29S8230*	Standard-depth, French Door Refrigerator, Bottom Freezer	315 lb (143 kg)
LF25G8330*	Counter-depth, French Door Refrigerator, Bottom Freezer	291 lb (132 kg)
LF25C8330*	Counter-depth, French Door Refrigerator, Bottom Freezer	289 lb (131 kg)
LF26G8210*	Counter-depth, French Door Refrigerator, Bottom Freezer, Internal Water Dispenser	273 lb (124 kg)
LLFOC2606*	Counter-depth, InstaView Door, French Door Refrigerator, Bottom Freezer	291 lb (132 kg)
LF31S6360*	Standard-depth, Door-in-Door French Door Refrigerator, Bottom Freezer	340 lb (154 kg)
LF26C6360*	Counter-depth, Door-in-Door French Door Refrigerator, Bottom Freezer	304 lb (138 kg)

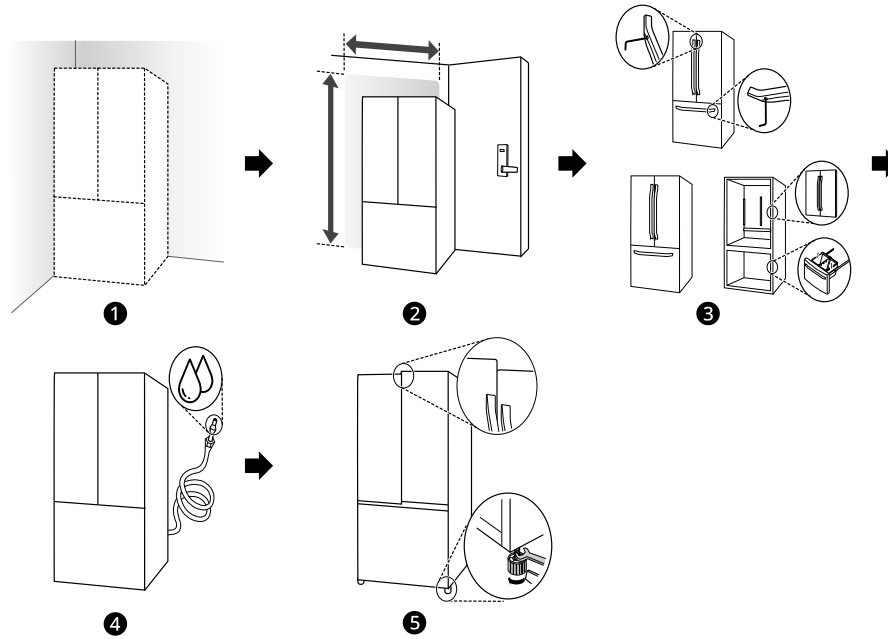
## 10 INSTALLATION

# INSTALLATION

## Before Installing

### Installation Overview

Please read the following installation instructions first after purchasing this product or transporting it to another location.



- 1 Unpacking the Refrigerator
- 2 Choosing the Proper Location
- 3 Disassembling/Assembling
- 4 Connecting the Water Line
- 5 Leveling and Door Alignment

### **⚠ WARNING**

- Connect to potable water supply only.

## Unpacking the Refrigerator

### **⚠ WARNING**

- Use two or more people to move and install the refrigerator. Failure to do so can result in back injury or other injury.
- The refrigerator is heavy. Protect the floor when moving the refrigerator for cleaning or service. Always pull the refrigerator straight out when moving it. Do not wiggle or walk the refrigerator when trying to move it, as floor damage could occur.
- Keep flammable materials and vapors, such as gasoline, away from the refrigerator. Failure to do so can result in fire, explosion, or death.

### **NOTE**

- Remove tape and any temporary labels from your refrigerator before using. Do not remove any warning labels, the model and serial number label, or the Tech Sheet that is located under the front of the refrigerator.
- To remove any remaining tape or glue, rub the area briskly with your thumb. Tape or glue residue can also be easily removed by rubbing a small amount of liquid dish soap over the adhesive with your fingers. Wipe with warm water and dry.
- Do not use sharp instruments, rubbing alcohol, flammable fluids, or abrasive cleaners to remove tape or glue. These products can damage the surface of your refrigerator.
- Reinstall or adjust shelves as needed. Refrigerator shelves are installed in the shipping position. Reinstall shelves according to your individual storage needs.

## Choosing the Proper Location

### **Water**

The refrigerator must be located where a water supply can be connected for the automatic icemaker.

### **NOTE**

- The water pressure must be 20 - 120 psi (138 - 827 kPa). If the refrigerator is installed in an area with low water pressure (below 20 psi or 138

kPa), you can install a booster pump to compensate for the low pressure.

### **Electricity**

Use an individual, grounded outlet: 115 Volts, 60 Hz, AC, 15 amps minimum.

### **⚠ WARNING**

- Do not overload house wiring and cause a fire hazard by plugging in multiple appliances in the same outlet with the refrigerator.
- To reduce the risk of electric shock, do not install the refrigerator in a wet or damp area.

### **Flooring**

To avoid noise and vibration, the unit must be installed and leveled on a solidly constructed floor. If required, adjust the leveling legs to compensate for the unevenness of the floor.

### **NOTE**

- Installing on carpeting, soft tile surfaces, a platform or weakly supported structure is not recommended.

### **Ambient Temperature**

Install this appliance in an area where the temperature is between 55 °F (13 °C) and 110 °F (43 °C).

If the temperature around the appliance is too low or high, cooling ability may be adversely affected.

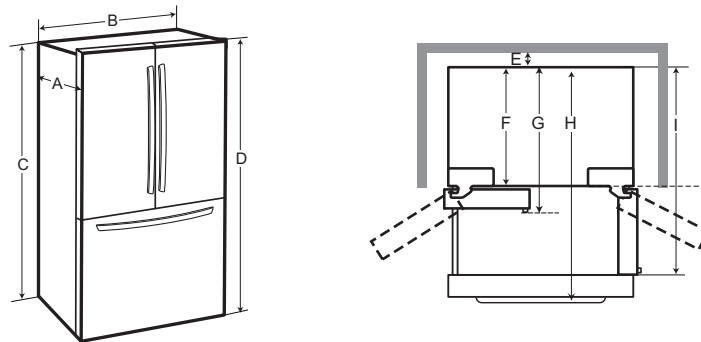
The internal temperatures could be affected by the location of the appliance, the ambient temperature, the frequency of door opening and other factors.

## 12 INSTALLATION

### Dimensions and Clearances

- Check the dimensions of the appliance and the installation path to ensure there is sufficient room to move the refrigerator through doors or narrow openings.
- If an opening is too narrow to fit the refrigerator through, remove the refrigerator doors. See Removing/Assembling the Doors and Drawers in this manual.
- The installation location chosen for the refrigerator should allow space behind the unit for connections and airflow and space in front to open the doors and drawers.
- Too small of a distance from adjacent items may result in lowered freezing capability and increased electricity consumption charges. Allow at least 24 inches (610 mm) in front of the refrigerator to open the doors, and at least 2 inches (50.8 mm) between the back of the refrigerator and the wall.

#### • 3-Door



#### Models with handles

	Dimension/ Clearance	LRFVS3006* LRFDS3006* LRFDS3016*	LRFXS3106* LRFLS3206*	LRFVC2406* LRFXC2406* LRFXC2416* LRFDC2406*	LRFOC2606* LRFGC2706* LRFLC2706* LRFXC2606* LLFGC2706* LCFC26XS* LLFOC2606*
A	Depth without Handle	34 1/8" (866 mm)	34 3/8" (874 mm)	28 3/8" (718 mm)	29 1/8" (739 mm)
B	Width	35 3/4" (908 mm)	35 3/4" (908 mm)	35 3/4" (908 mm)	35 3/4" (908 mm)
C	Height to Top of Case	68 7/8" (1750 mm)	68 7/8" (1750 mm)	68 7/8" (1750 mm)	68 7/8" (1750 mm)
D	Height to Top of Hinge	70 1/4" (1785 mm)	70 1/4" (1785 mm)	70 1/4" (1785 mm)	70 1/4" (1785 mm)
E	Back Clearance	2" (50 mm)	2" (50 mm)	2" (50 mm)	2" (50 mm)
F	Depth without Door	29 7/8" (758 mm)	30 1/8" (764 mm)	24 1/8" (610 mm)	24 3/4" (628 mm)
G	Depth with Handle	36 5/8" (929 mm)	36 7/8" (937 mm)	30 3/4" (781 mm)	31 5/8" (802 mm)
H	Depth (Total with Freezer Drawer Open)	57 3/4" (1466 mm)	57 7/8" (1469 mm)	47 1/4" (1200 mm)	48 7/8" (1239 mm)

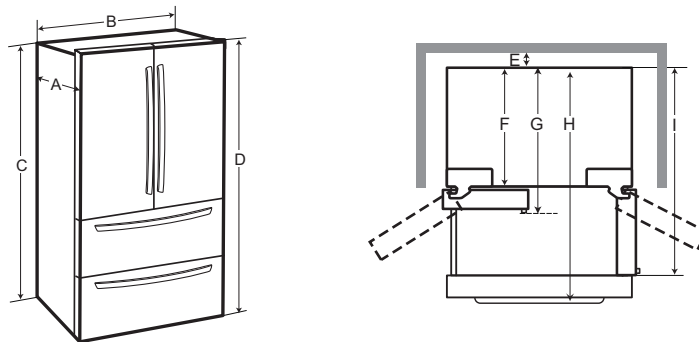


-	Dimension/ Clearance	LRFVS3006* LRFDS3006* LRFDS3016*	LRFXS3106* LRFLS3206*	LRFVC2406* LRFXC2406* LRFXC2416* LRFDC2406*	LRFOC2606* LRFGC2706* LRFLC2706* LRFXC2606* LLFGC2706* LCFC26XS* LLFOC2606*
I	Depth (Total with Door Open 90°)	48 1/2" (1231 mm)	48 7/8" (1240 mm)	42 3/4" (1083 mm)	43 5/8" (1106 mm)

**Models without handles**

-	Dimension/Clearance	LRYKS3106* LRYXS3106* LF31S6360*	LRYKC2606* LRYXC2606* LF26C6360*
A	Depth without Handle	34 3/8" (874 mm)	29 1/8" (739 mm)
B	Width	35 3/4" (908 mm)	35 3/4" (908 mm)
C	Height to Top of Case	68 7/8" (1750 mm)	68 7/8" (1750 mm)
D	Height to Top of Hinge	70 1/4" (1785 mm)	70 1/4" (1785 mm)
E	Back Clearance	2" (50 mm)	2" (50 mm)
F	Depth without Door	30 1/8" (764 mm)	24 3/4" (628 mm)
G	Depth with Handle	N/A	N/A
H	Depth (Total with Freezer Drawer Open)	55 3/8" (1406 mm)	48 7/8" (1239 mm)
I	Depth (Total with Door Open 90°)	48 7/8" (1240 mm)	43 5/8" (1106 mm)

• **4-Door**



-	Dimension/ Clearance	LRMDS3006* LRMVS3006* LRMXS3006* LLMXS3006*	LRMDC2306* LRMVC2306*	LF29S8250* LF30S8210* LF29S8330* LF29S8230*	LF29H8330* LF30H8210*
A	Depth without Handle	35 3/4" (908 mm)	28 7/8" (731 mm)	34 3/8" (874 mm)	34 3/8" (874 mm)

## 14 INSTALLATION

-	Dimension/ Clearance	LRMDS3006* LRMVS3006* LRMXS3006* LLMXS3006*	LRMDC2306* LRMVC2306*	LF29S8250* LF30S8210* LF29S8330* LF29S8230*	LF29H8330* LF30H8210*
B	Width	35 3/4" (908 mm)	35 3/4" (908 mm)	35 3/4" (908 mm)	35 3/4" (908 mm)
C	Height to Top of Case	69 1/8" (1753 mm)	69 1/8" (1753 mm)	68 7/8" (1750 mm)	68 7/8" (1750 mm)
D	Height to Top of Hinge	70 1/4" (1785 mm)	70 1/4" (1785 mm)	70 1/4" (1785 mm)	70 1/4" (1785 mm)
E	Back Clearance	2" (50 mm)	2" (50 mm)	2" (50 mm)	2" (50 mm)
F	Depth without Door	31" (785 mm)	24 1/8" (610 mm)	30 1/8" (764 mm)	30 1/8" (764 mm)
G	Depth with Handle	38 1/8" (968 mm)	31 1/4" (793 mm)	N/A	36 7/8" (937 mm)
H	Depth (Total with Freezer Drawer Open)	59 3/8" (1508 mm)	47 3/4" (1213 mm)	55 3/8" (1406 mm)	57 7/8" (1469 mm)
I	Depth (Total with Door Open 90°)	50 1/8" (1272 mm)	43 1/4" (1097 mm)	48 7/8" (1240 mm)	48 7/8" (1240 mm)

-	Dimension/Clearance	LF25G8330* LF26G8210*	LF25C8330*
A	Depth without Handle	29 3/4" (756 mm)	29 3/4" (756 mm)
B	Width	35 3/4" (908 mm)	35 3/4" (908 mm)
C	Height to Top of Case	68 7/8" (1750 mm)	68 7/8" (1750 mm)
D	Height to Top of Hinge	70 1/4" (1785 mm)	70 1/4" (1785 mm)
E	Back Clearance	2" (50 mm)	2" (50 mm)
F	Depth without Door	25 3/8" (646 mm)	25 3/8" (646 mm)
G	Depth with Handle	32 1/4" (819 mm)	N/A
H	Depth (Total with Freezer Drawer Open)	49 1/2" (1256 mm)	47" (1193 mm)
I	Depth (Total with Door Open 90°)	44 1/8" (1122 mm)	44 1/8" (1122 mm)

## Removing/Assembling Handles

These instructions are for models which ship with the handles assembled. For models shipped with the handles disassembled, follow the instructions included in the handle package.

- Tools Needed
  - Units shipped with disassembled handles:  
3/32" and 1/4" Allen wrenches only
  - Units shipped with assembled handles:  
3/32", 1/8" and 1/4" Allen wrenches

When moving the refrigerator through a narrow opening, removing the doors is preferred. If you must remove the handles, be very careful not to scratch the doors.

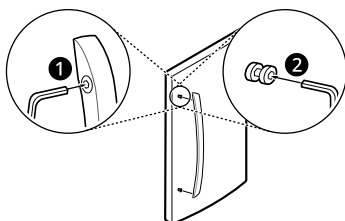
The appearance of the handles may vary from what is shown.

### ⚠ CAUTION

- When assembling or disassembling the refrigerator handles, grasp the handle firmly to avoid dropping it.
- Do not swing the handle into nearby people or animals.
- Make sure that the set screws are in place and the handle footprints at the ends of the handles are aligned correctly over the mounting fasteners on the doors. The set screws should be loose enough to allow the handle footprints to slide down into place over the mounting fasteners on the door.
- Make sure that there is not a gap between the door and handle after assembling the handle.

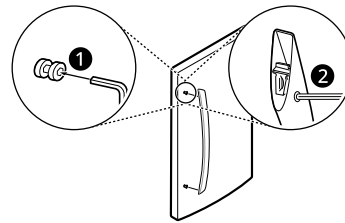
## Removing Refrigerator Handles

- 1 Loosen the set screws **1** with a 3/32 in. Allen wrench and remove the handle.
- 2 If needed, loosen the mounting fasteners **2** that connect the refrigerator door and handle using a 1/4 in. Allen wrench, and remove the mounting fasteners.



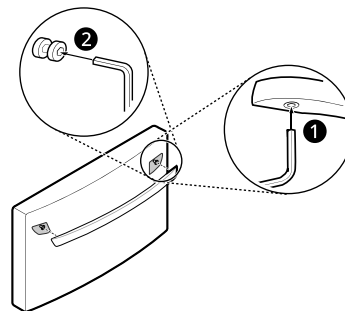
## Assembling Refrigerator Handles

- 1 If needed, reassemble the mounting fasteners **1** on the door with a 1/4 in. Allen wrench.
- 2 Place the handle on the door by fitting the handle footprints over the mounting fasteners and tightening the set screws **2** with a 3/32 in. Allen wrench.



## Removing Freezer Drawer Handles

- 1 Loosen the set screws **1** located on the lower side of the handle with a 3/32 in. Allen wrench and remove the handle.
  - For models shipped with the handles assembled, use a 1/8 in. Allen wrench.
- 2 Loosen the mounting fasteners **2** with a 1/4 in. Allen wrench, and remove the mounting fasteners.



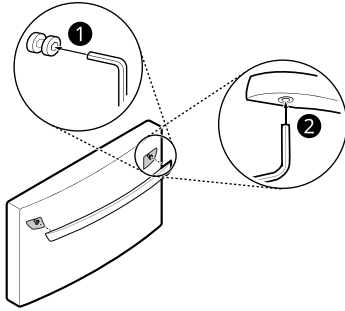
## Assembling Freezer Drawer Handles

- 1 Assemble the mounting fasteners **1** at both ends of the handle with a 1/4 in. Allen wrench.

## 16 INSTALLATION

- Place the handle on the door by fitting the handle footprints over the mounting fasteners and tightening the set screws **2** with a 3/32 in. Allen wrench.

- For models shipped with the handles assembled, use a 1/8 in. Allen wrench.



### Removing/Assembling Doors and Drawers

If the entrance door is too narrow for the refrigerator to pass through, remove the refrigerator doors and move the refrigerator sideways through the doorway.

#### **⚠ WARNING**

- Use two or more people to remove and install the refrigerator doors and drawers.
- Disconnect the electrical supply to the refrigerator before installing.
- Do not put hands, feet or other objects into the air vents or bottom of the refrigerator.
- Be careful when handling the hinge and hinge lever.
- Remove food and bins before detaching the doors and drawers.
- Do not hold the handle when removing or replacing the doors and drawers as the handle may come off.

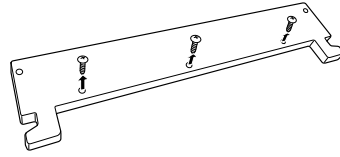
#### Tools Needed

- Phillips screwdriver
- Flat-head screwdriver

### Removing the Hinge Cover

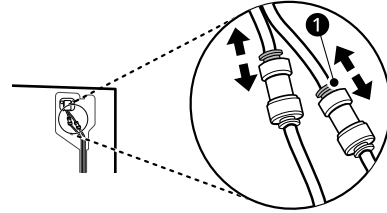
Remove the screws from the hinge cover at the top of the refrigerator. Lift the hook (not visible),

located at the bottom of the front side of the cover with a flat-head screwdriver.



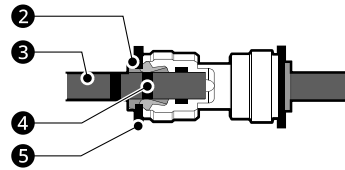
### Removing the Left Refrigerator Door

- The water supply is connected to the upper right part of the rear surface of the refrigerator. Remove the clip in the joint area. Hold the water supply connection and gently push the collet **1** to detach the water supply line as shown.



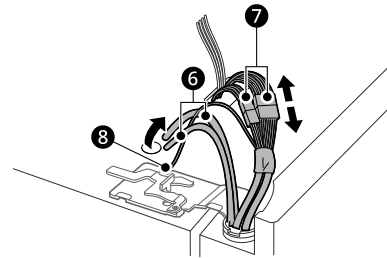
#### NOTE

- Disassembling/Assembling the Water Lines



- 2** Collet **3** Tube **4** Insert line **5** Clip

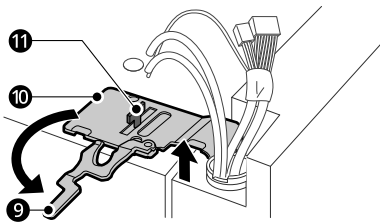
- Pull out the water supply lines **6**. Disconnect all the wire harnesses **7**. Unscrew the ground wire **8**.



- 3 Rotate the hinge lever 9 counterclockwise. Lift the top hinge 10 free of the hinge lever latch 11.

**CAUTION**

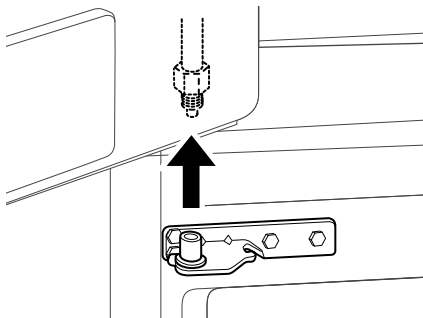
- When lifting the hinge free of the latch, be careful that the door does not fall forward.



- 4 Lift the door from the middle hinge pin and remove the door.

**CAUTION**

- Place the door, inside facing up, on a nonscratching surface.

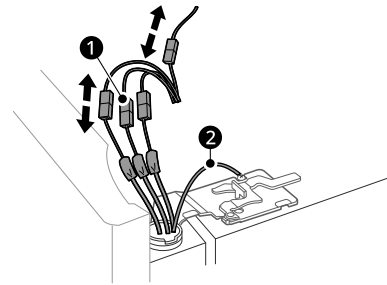


### Removing the Right Refrigerator Door

- 1 Detach all the wire harnesses 1. Unscrew the ground wire 2.

**NOTE**

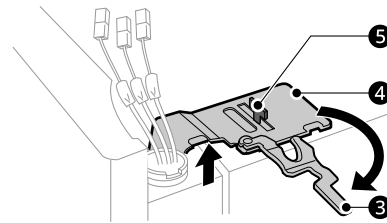
- The number of wire harnesses may vary depending on the model.
- Ground wire is only present on some models.



- 2 Rotate the hinge lever 3 clockwise. Lift the top hinge 4 free of the hinge lever latch 5.

**CAUTION**

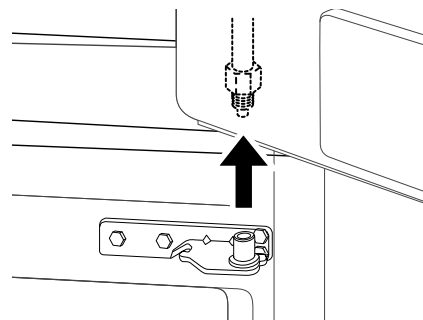
- When lifting the hinge free of the latch, be careful that the door does not fall forward.



- 3 Lift the door from the middle hinge pin and remove the door.

**CAUTION**

- Place the door, inside facing up, on a nonscratching surface.



### Removing Freezer Drawers

**WARNING**

- Use two or more people to remove and install the refrigerator doors and freezer drawer.

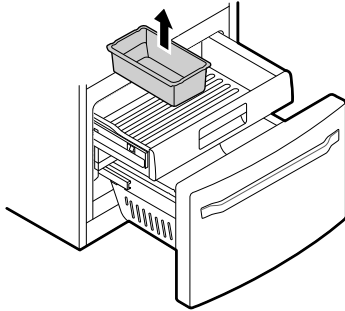
## 18 INSTALLATION

### **▲ WARNING**

- Be careful of sharp hinges on both sides of the drawer.
- When you lay the drawer down, be careful not to damage the floor.
- Do not sit or stand on the freezer drawer.
- To prevent accidents, keep children and pets away from the drawer. Do not leave the drawer open. If the Durabase® storage bin is removed from the freezer drawer, there is sufficient space for a small child or pet to crawl inside.

**1** Pull the drawer open to full extension.

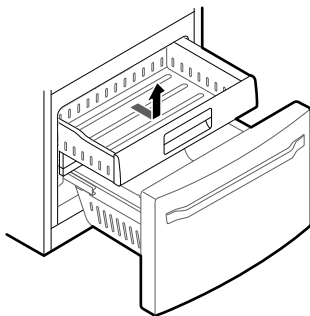
**2** Gently lift and pull out the ice bin(s).



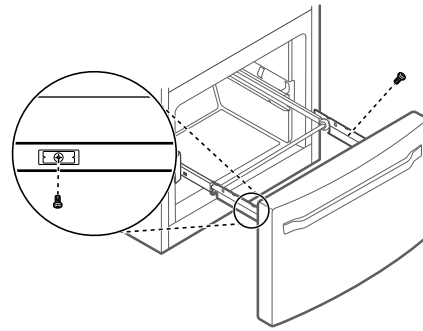
### **NOTE**

- The number of ice bins may vary depending on the model.

**3** Lift the front of the drawer up, then pull it straight out.



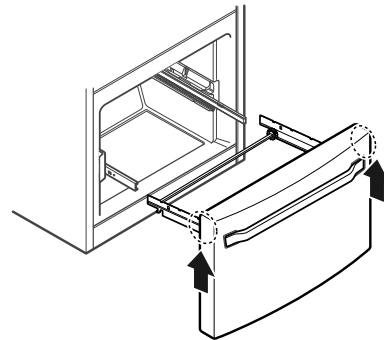
**4** Remove the Durabase basket from the rails. Remove the screws from the rails at both ends.



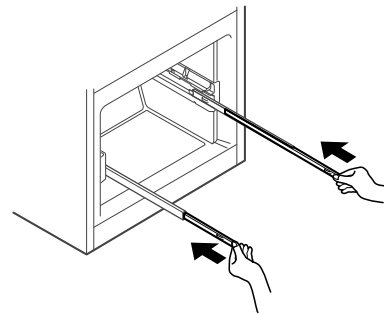
**5** Grip both sides of the drawer and pull it up to remove it from the rails.

### **▲ CAUTION**

- Do not hold the handle when removing or replacing the drawer. The handle may come off, causing personal injury.



**6** Hold both rails and push them in simultaneously.

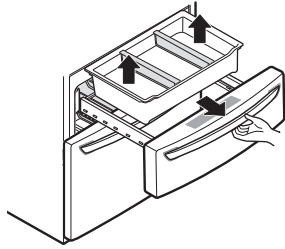


### **Removing the Full Convert Drawer**

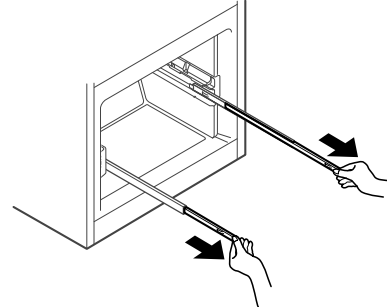
This feature is only available on some models.

**1** Pull the drawer open to full extension. Remove the basket from the rails.

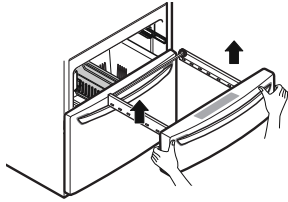
## Assembling Freezer Drawers



- 1 Pull out both rails simultaneously, until they are fully extended.



- 2 Hold both sides of the door and remove it from the rails.

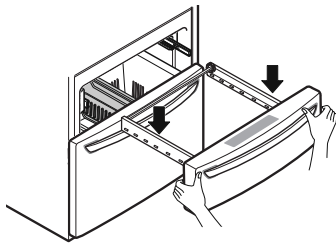


- 2 Grasp the drawer on each side and hook the drawer supports into the rail tabs located on both sides.

## Assembling the Full Convert Drawer

This feature is only available on some models.

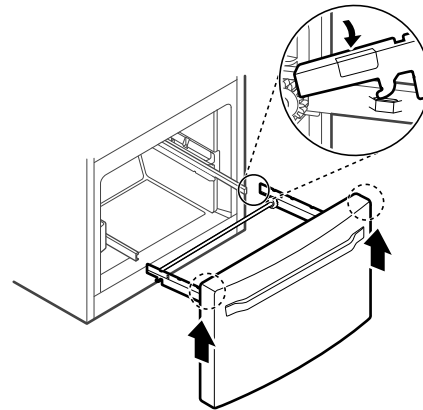
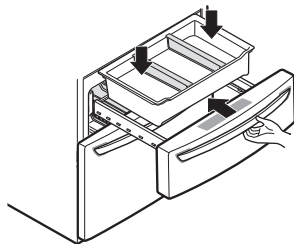
- 1 Grasp the door on each side and lower it into place on the rails.



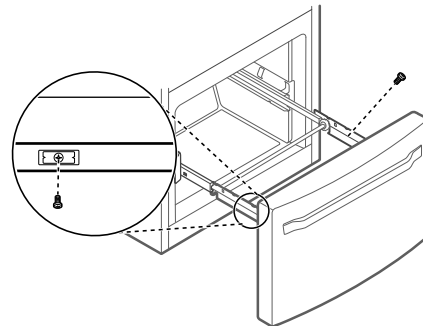
### CAUTION

- Do not hold the handle when removing or replacing the drawer. The handle may come off, causing personal injury.

- 2 Pull the drawer open to full extension. Lower the basket onto the rails.

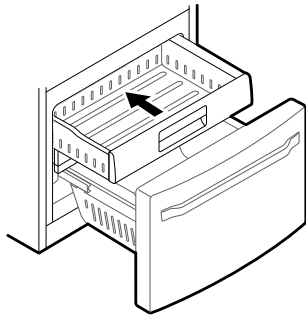


- 3 Lower the door into its final position and insert the screws in the rails on both sides.

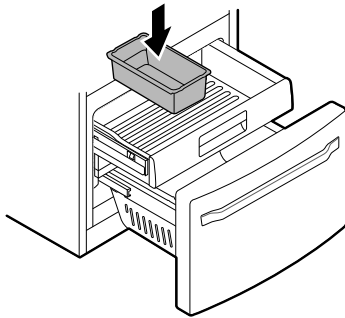


## 20 INSTALLATION

- 4 Insert the drawer into the frame, and push the drawer back until it clicks into place.



- 5 Replace the ice bin(s) in the drawer. Insert the Durabase basket in the rail assembly.



### NOTE

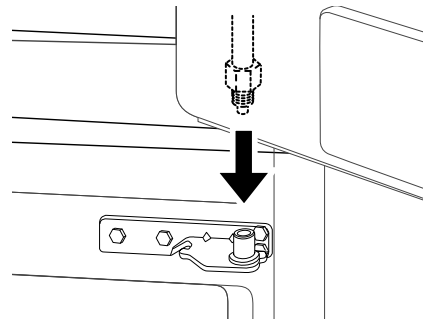
- The number of ice bins may vary depending on the model.

### Assembling the Right Refrigerator Door

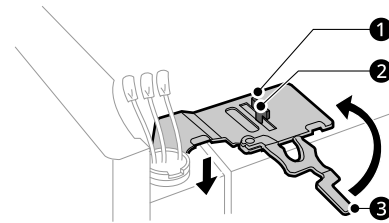
#### ⚠ CAUTION

- Install the right-side door first.

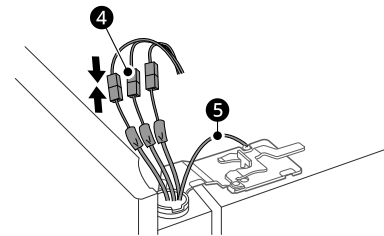
- 1 Make sure that the plastic sleeve is inserted in the bottom of the door. Lower the door onto the middle hinge pin as shown in the figure.



- 2 Fit the hinge ① over the hinge lever latch ② and slot it into place. Rotate the lever ③ counterclockwise to secure the hinge.



- 3 Connect all the wire harnesses ④. Screw in the ground wire ⑤.



### NOTE

- The number of wire harnesses may vary depending on the model.
- Ground wire is only present on some models.

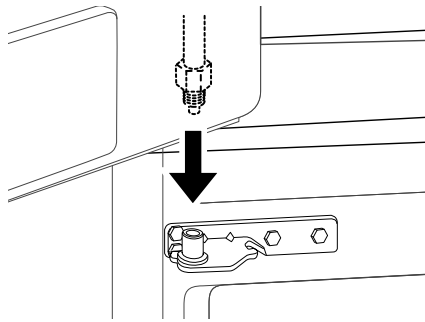
### Assembling the Left Refrigerator Door

#### ⚠ CAUTION

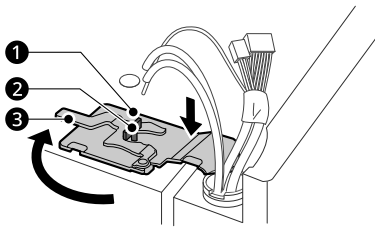
- Install the left refrigerator door after the right door is installed.

- 1 Make sure that the plastic sleeve is inserted in the bottom of the door. Install the refrigerator door onto the middle hinge.

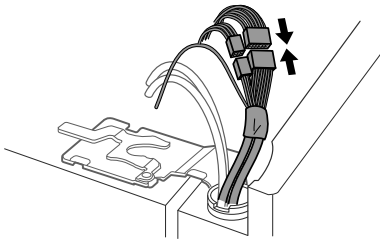




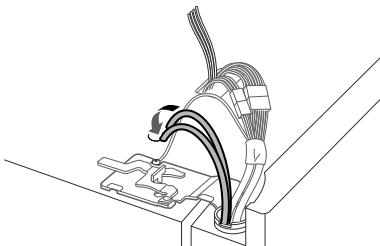
- 2** Fit the hinge **1** over the hinge lever latch **2** and slot it into place. Rotate the lever **3** clockwise and fasten the hinge.



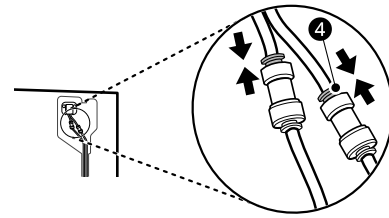
- 3** Connect all the wire harnesses and the ground wire.



- 4** Push the water supply lines into the hole on the top case and pull them through the backplate.

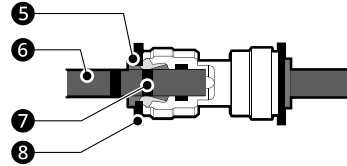


- 5** Hold the water supply connection and gently push in the collet **4** to connect the water supply lines as shown. Insert the tube at least 5/8 inch (15 mm) into the connector. Insert the clip on the joint to fasten the tubes in place.



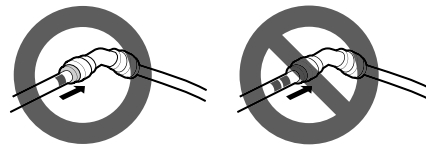
**NOTE**

- Disassembling/Assembling the Water Lines



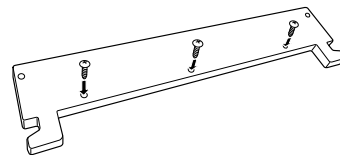
- 5** Collet **6** Tube **7** Insert line **8** Clip

- Gently press the collet and insert the tube until only one line shows on the tube.



**Assembling the Hinge Cover**

Position the hinge cover in its place. Insert and tighten the cover screws.



**Connecting Refrigerator to Water Supply**

**Before Beginning**

These instructions assume you have an existing water supply connection for the refrigerator. If necessary, call a qualified plumber to install a water supply line for the refrigerator.

- Turn the icemaker OFF if the refrigerator will be used before the water line is connected.
- Do not install the icemaker tubing in areas where the ambient temperatures fall below freezing.

## 22 INSTALLATION

### ⚠ WARNING

- Connect to potable water supply only.

### ⚠ CAUTION

- To prevent burns and product damage, only connect the refrigerator water line to a cold water supply.
- Wear eye protection during installation to prevent injury.

## Water Pressure

You will need a cold water supply.

### Water Pressure

- **Models with water filter:**
  - 20 - 120 psi (138 - 827 kPa)
- **Where reverse osmosis water filtration system is connected to a cold water supply:**
  - 40 - 60 psi minimum to reverse osmosis system (2.8 kgf/cm<sup>2</sup> - 4.2 kgf/cm<sup>2</sup>, or less than 2 - 3 seconds to fill a cup of 7 oz capacity)

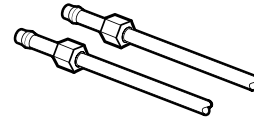
If the water pressure from the reverse osmosis system is less than 20 psi or 138 kPa or 1.4 kgf/cm<sup>2</sup> (takes more than 4 seconds to fill a cup of 7 oz or 198 cc capacity):

- Check to see if the sediment filter in the reverse osmosis system is blocked. Replace the filter if necessary.
- Allow the storage tank on the reverse osmosis system to refill after heavy usage.
- If the water pressure remains low, call a licensed, qualified plumber.
- All installations must be in accordance with local plumbing code requirements.

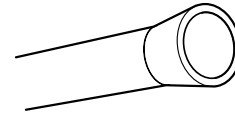
## Supplies Needed

- **Copper or PEX Tubing**, ¼ in. outer diameter, to connect the refrigerator to the water supply. Be sure both ends of the tubing are cut square. To determine how much tubing you need, measure the distance from the water valve on the back of the refrigerator to the water supply pipe. Then, add 8 feet (2.4 m). Be sure there is sufficient extra tubing (about 8 feet [2.4 m] coiled into 3 turns of about 10 in. [25 cm] diameter) to allow the refrigerator to move out from the wall after installation.

- ½ in. or adjustable wrench.
- Flat-blade and Phillips screwdrivers.
- **Two ¼ in. outer diameter compression nuts and 2 ferrules (sleeves)** to connect the copper tubing to the shutoff valve and the refrigerator water valve. If you are using a PEX water line kit, it may already have the required fittings at either end.



- If your existing copper water line has a flared fitting at the end, purchase an adapter (available at plumbing supply stores) to connect the water line to the refrigerator OR cut off the flared fitting with a tube cutter and use a compression fitting.

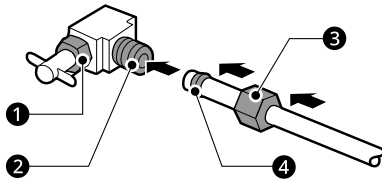


### NOTE

- The hookup line cannot be white, plastic tubing. Licensed plumbers must use only copper tubing (NDA tubing #49595 or #49599) or Cross Link Polyethylene (PEX) tubing.
- Be sure there is sufficient extra tubing (about 8 ft. coiled into three turns of about 10 in. diameter) to allow the refrigerator to move out from the wall after installation.

## Connecting Water Line to Refrigerator

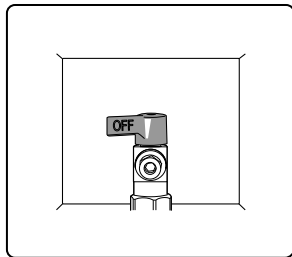
- 1 Connect the tubing to the shutoff valve.
  - Place the compression nut and ferrule (sleeve) onto the end of the copper tubing and connect it to the shutoff valve. If you are using PEX, the tubing may already have the required fittings at either end. Make sure the tubing is fully inserted into the valve. Tighten the compression nut securely.



- ❶ Packing Nut
- ❷ Shutoff Valve
- ❸ Compression Nut
- ❹ Ferrule (sleeve)

**2** Flush out the tubing into a bucket.

- Flush out the tubing coming from the home water supply until the water is clear. Shut the water off at the water valve after about one quart of water has been flushed through the tubing.



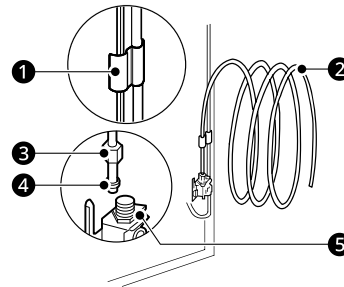
**NOTE**

- Before making the connection to the refrigerator, be sure that the refrigerator power cord is not plugged into the wall outlet.

**3** Remove the flexible plastic cap from the water valve on the refrigerator.

**4** Place the compression nut and ferrule (sleeve) onto the end of the tubing as shown. If you are using a PEX connection kit, it may already have the required fittings.

**5** Insert the end of the copper or PEX tubing into the connection as far as possible. While holding the tubing, tighten the fitting.



- ❶ Tubing Clamp
- ❷ ¼ in. Tubing
- ❸ ¼ in. Compression Nut
- ❹ Ferrule (sleeve)
- ❺ Refrigerator Connection

**6** Turn the water on at the shutoff valve.

- Tighten any connections that leak.

**⚠ CAUTION**

- Check to see if leaks occur at the water line connections.
- Make sure the house water valve is fully open. If it is not open completely, the icemaker and dispenser may not work properly.

**Leveling and Door Alignment**

**Leveling**

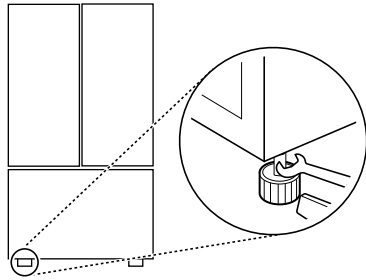
The refrigerator has two front leveling legs. Adjust the legs to alter the tilt from front-to-back or side-to-side. If the refrigerator seems unsteady, or the doors do not close easily, adjust the refrigerator's tilt using the instructions below:

**1** Turn the leveling leg to the left to raise that side of the refrigerator or to the right to lower it. It may take several turns of the leveling leg to adjust the tilt of the refrigerator.

**NOTE**

- A flare nut wrench works best, but an open-end wrench will suffice. Do not over-tighten.

## 24 INSTALLATION



- 2 Open both doors and check to make sure that they close easily. If the doors do not close easily, tilt the refrigerator slightly more to the rear by turning both leveling legs to the left. It may take several more turns, and be sure to turn both leveling legs the same amount.

### Door Alignment

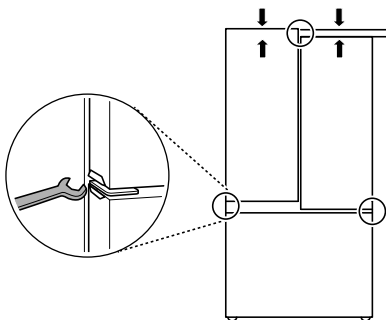
The door alignment method may differ depending on the model.

#### Refrigerator Type A

Both the left and right refrigerator doors have an adjustable nut, located on the bottom hinge, to raise and lower them to align properly.

If the space between the doors is uneven even after the door bins are filled, follow the instructions below to align the doors evenly:

Use the wrench (included with the owner's manual) to turn the nut in the door hinge to adjust the height. Turn the nut to the right to raise the door or to the left to lower it.



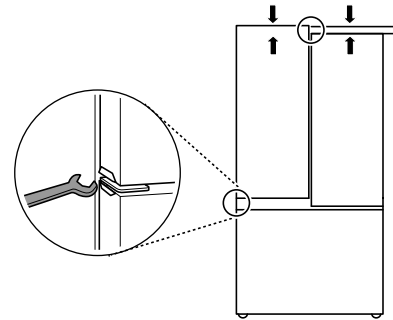
#### Refrigerator Type B

##### Left Refrigerator Door

The left refrigerator door has an adjustable nut, located on the bottom hinge, to raise and lower the door for proper alignment.

If the space between the doors is uneven, follow the instructions below to align the left door:

Use the wrench (included with the owner's manual) to turn the nut in the door hinge to adjust the height. Turn the nut to the right to raise the door or to the left to lower it.



##### Right Refrigerator Door

The right refrigerator door does not have an adjustable nut.

If the space between the doors is uneven, follow the instructions below to align the right door:

- 1 Lift up both the inner and outer door sections of the right door to raise them at the middle hinge. (It may be easier to lift them with the doors open.)

- 2 While the door is lifted, have an assistant insert the snap ring on the middle hinge. The snap ring may differ depending on the model.

- Snap ring type A



Use pliers to insert the snap ring on the middle hinge of the inner door section as shown. Insert additional snap rings until the right door is aligned.

- Snap ring type B

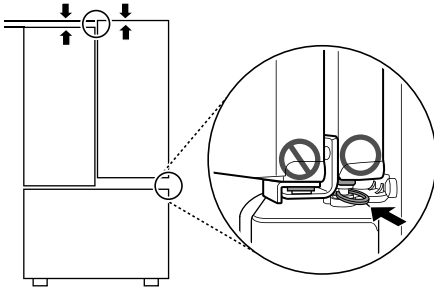


Insert only one snap ring on the middle hinge of the inner door section as shown.

- If a snap ring is already inserted on the middle hinge, remove the snap ring before inserting a new snap ring.

**CAUTION**

- The door is heavy. To avoid injury, use two or more people to lift and align the refrigerator door.
- Small parts are a swallowing hazard for small children. Keep snap rings out of the reach of children.
- Do not insert the snap ring on the hinge of the outer door section.

**Start the Icemaker**

- If the water line is connected, turn icemakers on.
  - To turn icemakers on, set the icemaker power switch to the ON position or refer to **Control Panel** in the **Operation** section.
- The icemaker will not begin to operate until it reaches its operating temperature of 15 °F (-9 °C) or below. It will then begin operation automatically if the icemaker has been turned ON.

**NOTE**

- The number of freezer drawers may vary depending on the model.

**Turning on the Power**

- After installing, plug the refrigerator's power cord into a 3-prong grounded outlet and push the refrigerator into the final position.

**CAUTION**

- Connect to a rated power outlet.
- Have a certified electrician check the wall outlet and wiring for proper grounding.
- Do not damage or cut off the ground terminal of the power plug.

**Position the Refrigerator**

- If the refrigerator is connected to water, arrange the coil of tubing so that it does not vibrate against the back of the refrigerator or against the wall. Push the refrigerator back toward the wall, leaving adequate clearance.

## 26 OPERATION

# OPERATION

## Online Owner's Manual

### Additional Operation Information

The complete owner's manual can be found on the LG website at: <http://gscs-manual.lge.com/Total/HQ/GatewayPage/main.html?product=Refrigerator&ptype=FDR> or by scanning the QR code.



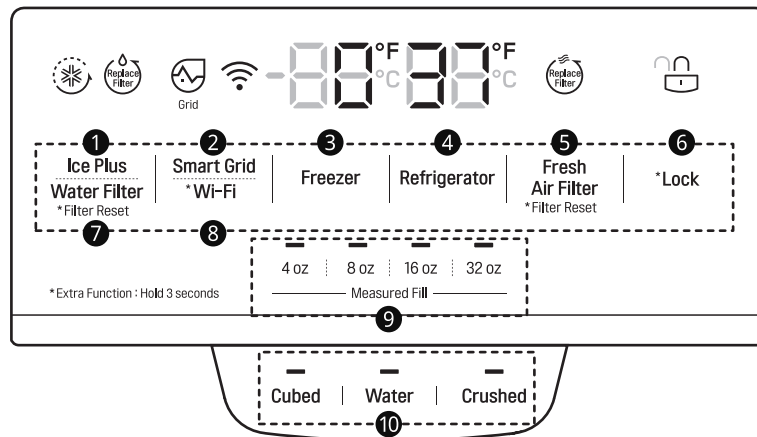
## Control Panel

Depending on the model, some of the following functions may not be available. The actual control panel may differ from model to model.

### Control Panel Features

† This feature is only available on some models.

### Exterior Control Panel



#### 1 Ice Plus

This function increases both ice making and freezing capabilities.

Press the **Ice Plus** button to illuminate the icon and activate the function for 24 hours. The function automatically shuts off after 24 hours. Stop the function manually by pressing the button once more.

#### 2 Smart Grid

Press the **Smart Grid** button to turn the function On/Off. When the function is on, the icon illuminates. The function automatically turns on when the refrigerator is connected to the Wi-Fi network.

When the refrigerator is responding to a Demand Response (DR) message from the electric company, the Grid text illuminates.

### 3 Freezer

Indicates the set temperature of the freezer compartment in Celsius (°C) or Fahrenheit (°F). The default freezer temperature is 0°F (-18 °C). Press the **Freezer** button repeatedly to select a new set temperature from - 7 °F to 5 °F (-23 °C to -15 °C).

### 4 Refrigerator

Indicates the set temperature of the refrigerator compartment in Celsius (°C) or Fahrenheit (°F). The default refrigerator temperature is 37 °F (3 °C). Press the **Refrigerator** button repeatedly to select a new set temperature from 33 °F to 43 °F (1 °C to 7 °C).


#### NOTE

- To change the temperature mode from °F to °C (or vice versa) press and hold the **Refrigerator** and **Freezer** buttons simultaneously for approximately five seconds. The temperature indicator on the display window switches between Celsius and Fahrenheit.
- The displayed temperature is the target temperature, and not the actual temperature of the refrigerator. The actual refrigerator temperature depends on the food inside the refrigerator.

### 5 Fresh Air Filter

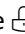
The Fresh Air Filter helps remove odors from the refrigerator.

#### NOTE


- Replace the air filter when the  icon turns on. After replacing the air filter, press and hold the **Fresh Air Filter** button for three seconds to turn the icon light off. Replace the air filter approximately every six months.

### 6 Lock

The lock function disables every other button on the display.


- When power is initially connected to the refrigerator, the lock function is off.
- To lock the control panel buttons, press and hold the **Lock** button until the  icon appears in the display and the function is activated.
- To disable the function, press and hold the **Lock** button for approximately three seconds.

### 7 Water Filter

Replace the water filter when the  icon turns on. After replacing the water filter, press and hold the **Water Filter** button for three seconds to turn the icon light off. Replace the water filter approximately every six months.

### 8 Wi-Fi

The Wi-Fi button, when used with the **LG ThinQ** app, allows the refrigerator to connect to a home Wi-Fi network. Refer to Smart Functions for information on the initial setup of the application.

The  icon shows the status of the refrigerator's network connection. The icon illuminates when the refrigerator is connected to the Wi-Fi network.

Press and hold the **Wi-Fi** button for 3 seconds to connect to the network. The icon blinks while the connection is being made, then turns on once the connection is successfully made.

### 9 Measured Fill

The measured fill function dispenses premeasured amounts of water automatically.

### 10 Water & Ice Type

Select the desired dispenser mode from the buttons on the dispenser control panel. Press the dispenser switch with a glass or other container to dispense cubed ice, water or crushed ice.

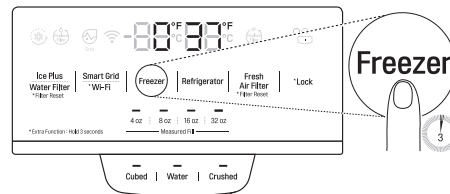
## 28 OPERATION

### Changing the Craft Ice Mode

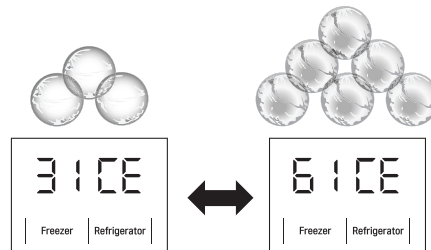
#### NOTE

- This feature is only available on some models.
- The **Freezer** button can also be used to set the **Craft Ice** mode to either **3 ICE** or **6 ICE**.

- 1 Touch any button on the control panel to activate it.
- 2 Press and hold the **Freezer** button for 3 seconds until the control panel beeps and the current ice mode appears.



- 3 Press the **Freezer** button repeatedly to toggle between the **3 ICE** and **6 ICE** modes. After 5 seconds of idle time, the last mode set will be saved, and the display will return to normal.



#### NOTE

- For more ice, select the **6 ICE** mode. For clearer ice, select the **3 ICE** mode.



# Interior Control Panel

## • Refrigerator Control Panel

Type A

Refrigerator ①  
Water Filter ②  
\* Filter Reset

Freezer ③  
Air Filter ④  
\* Filter Reset

Smart Grid ⑤  
\* Wi-Fi ⑥

Ice Plus ⑦  
\* In-Door Ice ⑧

Craft Ice ⑨  
\* Mini Cubed Ice ⑩

Self Care ⑫  
\* Lock ⑬

\* Hold 3 seconds

Type B

Refrigerator ①  
Water Filter ②  
\* Filter Reset

Freezer ③  
Air Filter ④  
\* Filter Reset

Smart Grid ⑤  
\* Wi-Fi ⑥

Ice Plus ⑦  
\* In-Door Ice ⑧

Cubed Ice ⑪

\* Lock ⑬

\* Hold 3 seconds

Type C

Refrigerator ①  
Water Filter ②  
\* Filter Reset

Freezer ③  
Air Filter ④  
\* Filter Reset

Smart Grid ⑤  
\* Wi-Fi ⑥

Ice Plus ⑦

Cubed Ice ⑪

\* Lock ⑬

\* Hold 3 seconds

Type D

Refrigerator ①  
Water Filter ②  
\* Filter Reset

Freezer ③  
Air Filter ④  
\* Filter Reset

Smart Grid ⑤  
\* Wi-Fi ⑥

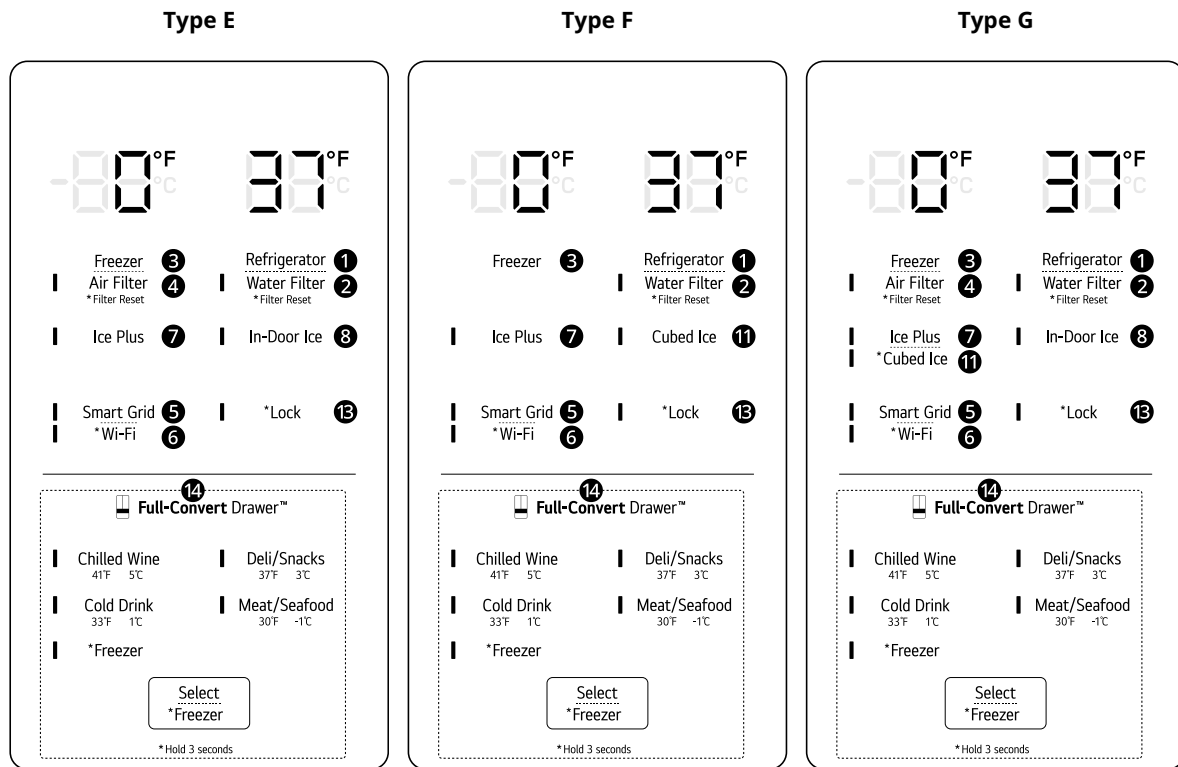
Ice Plus ⑦  
\* In-Door Ice ⑧

\* Lock ⑬

\* Hold 3 seconds

ENGLISH

## 30 OPERATION



### 1 Refrigerator

Indicates the set temperature of the refrigerator compartment in Celsius (°C) or Fahrenheit (°F). The default refrigerator temperature is 37 °F (3 °C). Press the **Refrigerator** button repeatedly to select a new set temperature from 33 °F to 43 °F (1 °C to 7 °C).

### NOTE

- To change the temperature mode from °F to °C (or vice versa) press and hold the **Refrigerator** and **Freezer** buttons simultaneously for approximately five seconds. The temperature indicator on the display window switches between Celsius and Fahrenheit.
- The displayed temperature is the target temperature, and not the actual temperature of the refrigerator. The actual refrigerator temperature depends on the food inside the refrigerator.

### 2 Water Filter

Replace the water filter when the Replace Filter icon turns on. After replacing the water filter, press and hold the **Water Filter** button for three seconds to turn the icon light off. Replace the water filter approximately every six months.

### 3 Freezer

Indicates the set temperature of the freezer compartment in Celsius (°C) or Fahrenheit (°F). The default freezer temperature is 0 °F (-18 °C). Press the **Freezer** button repeatedly to select a new set temperature from -7 °F to 5 °F (-23 °C to -15 °C).

### 4 Air Filter

The air filter helps remove odors from the refrigerator.

**NOTE**

- Replace the air filter when the air filter indicator turns on. After replacing the air filter, press and hold the **Air Filter** button for 3 seconds to turn the indicator off. Replace the air filter approximately every six months.

**5 Smart Grid**

Press the **Smart Grid** button to turn the function On/Off. When the function is on, the indicator illuminates. The function automatically turns on when the refrigerator is connected to the Wi-Fi network. The Smart Grid function is only available if your electric utility company supports the function.

When the refrigerator is responding to a Demand Response (DR) message from the electric company, the indicator illuminates.

**6 Wi-Fi**

The Wi-Fi button, when used with the **LG ThinQ** app, allows the refrigerator to connect to a home Wi-Fi network. Refer to Smart Functions for information on the initial setup of the app.

The Wi-Fi indicator shows the status of the refrigerator's network connection. The indicator illuminates when the refrigerator is connected to the Wi-Fi network.

Press and hold the **Wi-Fi** button for 3 seconds to connect to the network. The indicator blinks while the connection is being made and then turns on once the connection is successfully made.

**7 Ice Plus<sup>†</sup>**

This function increases both ice making and freezing capabilities.

- Press the **Ice Plus** button to illuminate the indicator and activate the function for 24 hours. The function automatically shuts off after 24 hours.
- Stop the function manually by pressing the button once more.

**8 In-Door Ice<sup>†</sup>**

Press and hold the **In-Door Ice** button for three seconds to turn the in-door icemaker on/off.

**9 Craft Ice<sup>†</sup>**

Press the **Craft Ice** button repeatedly to select between the **3 ICE**, **6 ICE** and **OFF** modes.

After 5 seconds of idle time, the last mode will be saved, and the display will return to normal.

- To turn off the **Craft Ice** icemaker, select the **OFF** mode.
- To turn on the **Craft Ice** icemaker, select the **3 ICE** or **6 ICE** mode.

**NOTE**

- For more ice, select the **6 ICE** mode. For clearer ice, select the **3 ICE** mode.

**10 Mini Cubed Ice<sup>†</sup>**

Press and hold the **Mini Cubed Ice** button for three seconds to turn the **Mini Cubed Ice** icemaker on/off.

**11 Cubed Ice<sup>†</sup>**

Press the **Cubed Ice** button to turn the **Cubed Ice** icemaker on/off.

**12 Self Care<sup>†</sup>**

UV light is used to keep the water outlet clean. UV clean function runs automatically for 10 minutes every hour or can be manually activated at any time.

Press and hold this button for 3 seconds to activate it manually.

## 32 OPERATION

### NOTE

- During operation, the function stops if the **Water** button is pressed. It resumes automatically after 1 hour.
- The function runs automatically for 10 minutes every hour without requiring you to press the **Self Care** button.
- UVnano is a compound word derived from the words UV and its unit, a nanometer.

### 13 Lock

The lock function disables every other button on the display.

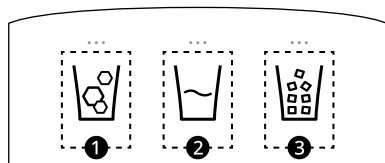
- When power is initially connected to the refrigerator, the lock function is off.
- To lock the control panel buttons, press and hold the **Lock** button until the indicator illuminates and the function is activated.
- To disable the function, press and hold the **Lock** button for approximately three seconds.

### 14 Full-Convert Drawer™

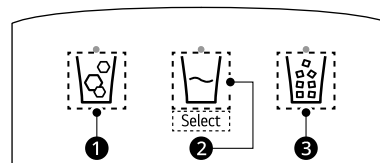
Adjust the temperature of the convertible drawer to either colder or warmer than the refrigerator. Refer to **Full-Convert Drawer™** in the Operation section.

- Dispenser Control Panel

Type A



Type B



#### Type A

- Select the desired dispenser mode from the buttons on the dispenser control panel. From left to right, the icons indicate cubed ice ①, water ②, and crushed ice ③. Press the dispenser switch with a glass or other container to dispense cubed ice, water or crushed ice.

#### Type B

- Press the **Select** button on the dispenser control panel repeatedly to select the desired dispenser mode. From left to right, the icons indicate cubed ice ①, water ②, and crushed ice ③. Press the dispenser switch with a glass or other container to dispense cubed ice, water or crushed ice.

### NOTE

- When the refrigerator is in the Power Saving Mode, the display remains off until a door is opened or a button is pressed. Once on, the display remains on for 20 seconds.

### NOTE

#### Display Mode and InstaView Display Mode (For Store Use Only)

- The **Display Mode** disables all cooling in the refrigerator and freezer sections to conserve energy while on display in a retail store. When activated, OFF is displayed on the control panel and the display remains on for 20 seconds.
  - To deactivate/activate the Display Mode:
 

Open either refrigerator door. Press the **Ice Plus** button 3 times while pressing and holding the **Refrigerator** button. The control panel beeps and the temperature settings display to confirm that Display Mode is deactivated. Use the same procedure to activate Display Mode.

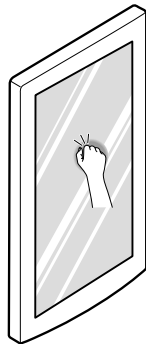
- The **InstaView Display Mode** automatically turns the LED light inside the InstaView Door-in-Door on and off in cycles of 10 seconds ON and 2 minutes 50 seconds OFF.
  - To activate the InstaView Display Mode:  
Activate the Display Mode first. Then open all refrigerator and freezer doors and within 5 seconds knock 3 times on the door glass.
  - To deactivate the InstaView Display Mode:  
Open all refrigerator and freezer doors and within 5 seconds knock 3 times on the door glass. The refrigerator is now in Display Mode.
- To deactivate the Display Mode and InstaView Display Mode at once:  
Open either refrigerator door. Press the **Ice Plus** button 3 times while pressing and holding the **Refrigerator** button.

## InstaView

This feature is only available on some models.

### InstaView Door-in-Door

Knock twice on the glass to turn the LED light inside the InstaView on or off. The LED light turns off automatically after 10 seconds.



#### NOTE

- The LED light does not turn on if the right refrigerator door is open.
- The **InstaView** function will not activate for two seconds after closing the door.
- The **InstaView** function is disabled when the ice dispenser is in use.

## Sabbath Mode

This feature is only available on some models.

### Using the Sabbath Mode

Sabbath mode is used on the Jewish Sabbath and Holidays.

- To turn Sabbath mode on, touch the display to activate it, then press and hold the **Freezer** and

**Wi-Fi** buttons for 3 seconds until 5b appears in the display.

- To turn Sabbath mode off manually, press and hold the **Freezer** and **Wi-Fi** buttons for 3 seconds.

#### NOTE

- Sabbath mode automatically turns off after 96 hours.
- Once turned on, Sabbath mode is maintained even after a power outage.
- Selecting Sabbath mode automatically turns off the alarm functions.
- The dispenser and InstaView are disabled in Sabbath mode, on applicable models.

## Ice and Water Dispenser

### Before Using the Ice and Water Dispenser

#### CAUTION

- Keep children away from the dispenser. Children may play with or damage the controls.
- Throw away the first bin full of ice (about 140-160 cubes) after installation. The first ice and water dispensed may include particles or odor from the water supply line or the water tank. This is also necessary if the refrigerator has not been used for a long time.
- Dispense and throw away 2.5 gallons of water (flush for approximately 5 minutes) after installation. Do not dispense the entire 2.5 gallon amount continuously. Press and release the dispenser pad for cycles of 30 seconds ON and 60 seconds OFF. This is also necessary if the refrigerator has not been used for a long time.

## 34 OPERATION

### CAUTION

- If ice or water dispenses unexpectedly, turn off the water supply and contact an LG Electronics Customer Information Center.
- Never use a glass that is exceptionally narrow or deep. Ice may jam in the ice passage and refrigerator performance may be affected.
- When dispensing ice from the dispenser, do not use a fragile container.
- Do not hang on to or place heavy objects on the refrigerator's dispenser.

### NOTE

- The dispenser will not operate when either of the refrigerator doors is open.
- If discolored ice is dispensed, check the water filter and water supply. If the problem continues, contact an LG Electronics Customer Information Center. Do not use the water or ice until the problem is corrected.
- Dispense ice into a glass before filling it with water or other beverages. Splashing may occur if ice is dispensed into a glass that already contains liquid.
- Some dripping may occur after dispensing. Hold the cup beneath the dispenser for a few seconds after dispensing to catch all of the drops.
- Keep containers at an appropriate distance from the dispensers. Tall, narrow glasses should be held far enough from the ice outlet to prevent ice from jamming in the ice chute. A container with a very small opening should be held as close to the dispenser as possible to avoid spilling.

## Automatic Icemaker

### WARNING

- DO NOT place fingers in the automatic icemaker when the refrigerator is plugged in.
- Avoid contact with any moving parts of the ejector mechanism or with the heater that releases the ice cubes.

## Before Using the In-Door Icemaker

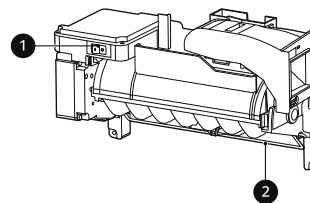
### NOTE

- Ice is made in the automatic in-door icemaker and sent to the dispenser. The icemaker

produces 70 - 182 cubes in a 24-hour period, depending on freezer compartment temperature, room temperature, number of door openings and other operating conditions.

- It takes about 12 to 24 hours for a newly installed refrigerator to begin making ice.
- Ice-making stops when the in-door ice bin is full. When full, the in-door ice bin holds approximately 6 to 8 (12-16 oz.) glasses of ice.
- Foreign substances or frost on the auto shutoff (feeler arm) can interrupt ice production. Make sure the auto shutoff (feeler arm) area is clean at all times for proper operation.
- To increase ice production, use the **Ice Plus** function. The function increases both ice making and freezing capabilities.

## In-Door Icemaker



- 1 Power Switch (some models)
- 2 Auto Shutoff (feeler arm)

## Before Using the Freezer Icemaker

This feature is only available on some models. The feature may vary depending on model purchased.

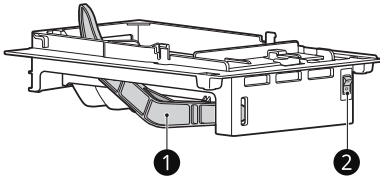
### NOTE

- Throw away the first bin full of ice after installation. This is also necessary if the refrigerator has not been used for a long time.
- The icemaker begins producing ice approximately 48 hours after the appliance is initially installed.
- The sound of ice dropping into the ice bin is normal.
- If the ice bin is completely filled with ice, ice production will stop.
- The amount and shape of ice may vary according to the environment (ambient temperature around the appliance, frequency of the door being opened, amount of food stored in the appliance, water pressure, etc.).

- In the event of a power outage, throw away the ice stored in the ice bin.

### Freezer Icemaker (Cubed Ice)

This feature is only available on some models.



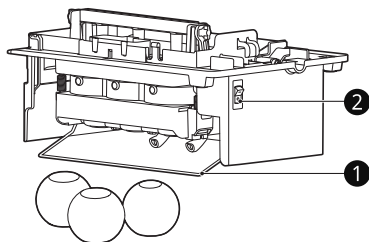
- ❶ Feeler Arm
- ❷ Power Switch (some models)

#### NOTE

- This automatic freezer icemaker produces 12 cubes at a time, 50-110 pieces within a 24 hour period if conditions are favorable. This amount may vary according to the environment (ambient temperature around the appliance, frequency of the door being opened, amount of food stored in the appliance, etc.).
- Ice cubes which are stored in the ice bin for a long time may clump together and be difficult to separate. If this happens, empty the ice bin completely and clean it before reinstalling it.

### Freezer Icemaker (Craft Ice™)

This feature is only available on some models.



- ❶ Feeler Arm
- ❷ Power Switch (some models)

#### ⚠ CAUTION

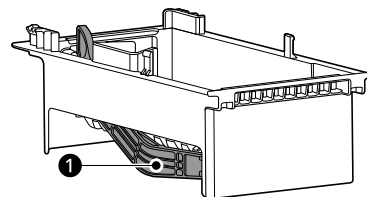
- Do not insert round ice into the in-door ice bin, as it can damage the ice and water dispenser.

#### NOTE

- The icemaker begins producing ice approximately 48 hours after the appliance is initially installed. The first batches of ice may not be round and clear.
- Following installation or water filter replacement, the first few batches of ice may be semicircular or contain air bubbles.
- If the water pressure is less than 20 psi (138 kPa) or a reverse osmosis system is used, the shape of the ice may vary.
- The ice may look cloudy depending on the water quality in the installation location and the operating conditions.
- Throw away any shards of ice you may find in the ice bin, as they may stick to the ice stored in the ice bin.
- After a short term power outage, it will take longer to make the first batch of ice, and the ice may not be round. If the power will be out for a longer period, throw away the ice stored in the ice bin.
- The **Craft Ice** icemaker produces 1 batch of round ice (3 pieces) at a time.
- In **3 ICE** mode, the **Craft Ice** icemaker produces 1 batch of round ice (3 pieces) about every 24 hours. In **6 ICE** mode, the **Craft Ice** icemaker produces 2 batches of round ice (6 pieces total) in the same period.
- For more ice, select the **6 ICE** mode. For clearer ice, select the **3 ICE** mode.
- The time needed to make ice may vary according to operating conditions.
- The ice bin stores 20 - 30 pieces of round ice.

### Freezer Icemaker (Mini Cubed Ice)

This feature is only available on some models.



- ❶ Feeler Arm

## 36 OPERATION

### ⚠ CAUTION

- Do not insert **Mini Cubed Ice** into the in-door ice bin, as it can damage the ice and water dispenser.

### NOTE

- This automatic freezer icemaker produces 20-30 cubes at a time, 1.3-1.7 lbs within a 24 hour period if conditions are favorable. This amount may vary according to the environment (ambient temperature around the appliance, frequency of the door being opened, amount of food stored in the appliance, etc.).
- Ice cubes which are stored in the ice bin for a long time may clump together and be difficult to separate. If this happens, empty the ice bin completely and clean it before reinstalling it.
- Depending on the water pressure or other conditions, the icemaker may produce linked cubes rather than individual pieces. The cubes easily separate when added to drinks.

### Refrigerator Mode

To use the convertible drawer as a refrigerator, press the **Select/Freezer** button **1** repeatedly to toggle through the four temperature settings. Store meat and seafood at 29 °F (-1 °C), cold drinks at 33 °F (1 °C), deli items and snacks at 37 °F (3 °C), and chilled wine at 41 °F (5 °C).

### ⚠ CAUTION

- Store vegetables and fruit in crisper drawers.
- If storing meat or fish for more than a few days, store it in the freezer.

### Freezer Mode

To use the convertible drawer as a freezer, press and hold the **Select/Freezer** button **1** for at least 3 seconds. Once the convertible drawer is set to freezer mode, its temperature matches the freezer temperature.

- Pressing the button changes the drawer temperature.
- To return to refrigerator mode, press and hold the button for at least 3 seconds.

### Turning the Icemaker On/Off

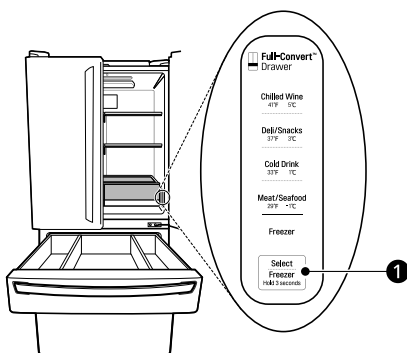
To turn the automatic icemaker On/Off, press the power switch on the icemaker to the ON ( | ) or OFF (O) position.

## Full-Convert Drawer™

This feature is only available on some models.

### Using the Full-Convert Drawer

The Full-Convert drawer provides storage space with a variable temperature control that can be adjusted to keep the compartment either colder or warmer than the refrigerator. The control panel for the drawer is on the right wall of the refrigerator interior.



### ⚠ CAUTION

- Do not store glass bottles and cans in the convertible drawer when the drawer is set to freezer mode. The containers may break.
- Before switching the drawer to refrigerator mode, store frozen food in the freezer. Otherwise the frozen food may thaw and spoil.
- Do not touch the metal parts in the convertible drawer with wet or damp hands. Doing so may cause frostbite.



# SMART FUNCTIONS

## LG ThinQ Application

This feature is only available on models with Wi-Fi.

The **LG ThinQ** application allows you to communicate with the appliance using a smartphone.

### LG ThinQ Application Features

† This feature is only available on some models.

- **Smart Learner**<sup>†</sup>
  - Provides a more personalized experience based on an analysis of your usage patterns.
- **Smart Sabbath**<sup>†</sup>
  - Activates or deactivates the Sabbath mode and sets the schedule for the mode activation.
- **Energy Monitoring**<sup>†</sup>
  - This feature keeps track of the refrigerator's power consumption and the number of door openings.
- **Remote Control**<sup>†</sup>
  - Controls the refrigerator temperature, air filter and Ice Plus from the smartphone application.
- **Push Messages**<sup>†</sup>
  - If the door remains open for more than ten minutes, you will receive a push message. When Ice Plus is finished, you will receive a push message.
- **Smart Diagnosis**<sup>™</sup>
  - This function provides useful information for diagnosing and solving issues with the appliance based on the pattern of use.
- **Settings**
  - Allows you to set various options on the refrigerator and in the application.

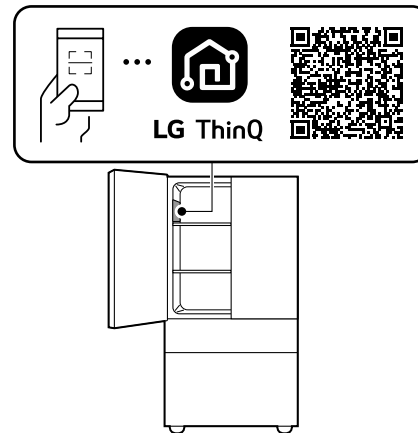
#### NOTE

- If you change your wireless router, Internet service provider, or password, delete the connected appliance from the **LG ThinQ** application and connect it again.
- This information is current at the time of publication. The application is subject to change for product improvement purposes without notice to users.

## Installing LG ThinQ Application and Connecting an LG Appliance

### Models with QR Code

Scan the QR code attached to the product using the camera or a QR code reader application on your smartphone.



### Models without QR Code

- 1** Search for and install the **LG ThinQ** application from the Google Play Store or Apple App Store on a smartphone.
- 2** Run the **LG ThinQ** application and sign in with your existing account or create an LG account to sign in.
- 3** Touch the add (+) button on the **LG ThinQ** application to connect your LG appliance. Follow the instructions in the application to complete the process.

#### NOTE

- To verify the Wi-Fi connection, check that the Wi-Fi indicator on the control panel is lit.
- The appliance supports 2.4 GHz Wi-Fi networks only. To check your network frequency, contact your Internet service provider or refer to your wireless router manual.
- **LG ThinQ** is not responsible for any network connection problems or any faults, malfunctions, or errors caused by network connection.

## 38 SMART FUNCTIONS

### NOTE

- The surrounding wireless environment can make the wireless network service run slowly.
- If the distance between the appliance and the wireless router is too far, the signal becomes weak. It may take a long time to connect or fail to install the application.
- If the appliance is having trouble connecting to the Wi-Fi network, it may be too far from the router. Purchase a Wi-Fi repeater (range extender) to improve the Wi-Fi signal strength.
- The network connection may not work properly depending on the Internet service provider.
- The Wi-Fi may not connect or the connection may be interrupted because of the home network environment.
- If the appliance cannot be connected due to problems with the wireless signal transmission, unplug the appliance and wait about a minute before trying again.
- If the firewall on your wireless router is enabled, disable the firewall or add an exception to it.
- The wireless network name (SSID) should be a combination of English letters and numbers. (Do not use special characters.)
- Smartphone user interface (UI) may vary depending on the mobile operating system (OS) and the manufacturer.
- If the security protocol of the router is set to **WEP**, network setup may fail. Change the security protocol (**WPA2** is recommended), and connect the product again.
- To disable the Wi-Fi function, press and hold the **Wi-Fi** button for 3 seconds. The Wi-Fi indicator will be turned off.
- To reconnect the appliance or add another user, press and hold the **Wi-Fi** button for 3 seconds to temporarily turn it off. Run the **LG ThinQ** application and follow the instructions in the application to connect the appliance.

### Radio Equipment Specifications

To identify the RF module installed in the appliance, refer to the label attached to the appliance.

Model Name	LCWB-001
Wireless LAN Frequency Range	2412 - 2462 MHz

Model Name	LCWB-001
Wireless LAN Output Power (Max)	< 30 dBm
Bluetooth Frequency Range	2402 - 2480 MHz
Bluetooth Output Power (Max)	< 30 dBm

Model Name	LCW-007
Wireless LAN Frequency Range	2412 - 2462 MHz
Wireless LAN Output Power (Max)	< 30 dBm

### FCC Statement

This equipment has been tested and found to comply with the limits for a Class B digital device, pursuant to part 15 of the FCC Rules for transmitter module and part 18 of the FCC Rules for this equipment. These limits are designed to provide reasonable protection against harmful interference in a residential installation. This equipment generates, uses, and can radiate radio frequency energy and, if not installed and used in accordance with the instructions, may cause harmful interference to radio communications. However, there is no guarantee that interference will not occur in a particular installation. If this equipment does cause harmful interference to radio or television reception, which can be determined by turning the equipment off and on, the user is encouraged to try to correct the interference by one or more of the following measures:

- Reorient or relocate the receiving antenna.
- Increase the separation between the equipment and receiver.
- Connect the equipment into an outlet on a circuit different from that to which the receiver is connected.
- Consult the dealer or an experienced radio/TV technician for help.

This device (transmitter module contained in this product) complies with part 15 of the FCC Rules. Operation is subject to the following two conditions:

- (1) This device may not cause harmful interference and
- (2) This device must accept any interference received, including interference that may cause undesired operation.

Any changes or modifications in construction of this device which are not expressly approved by the party responsible for compliance could void the user's authority to operate the equipment.

## FCC RF Radiation Exposure Statement

This equipment complies with FCC radiation exposure limits set forth for an uncontrolled environment. This transmitter must not be co-located or operating in conjunction with any other antenna or transmitter.

This equipment should be installed and operated with a minimum distance of 20 cm (7.8 inches) between the antenna and your body. Users must follow the specific operating instructions for satisfying RF exposure compliance.

## Industry Canada Statement

This device contains licence-exempt transmitter(s)/ receiver(s) that comply with Innovation, Science and Economic Development Canada's licence-exempt RSS(s). Operation is subject to the following two conditions:

- (1) This device may not cause interference.
- (2) This device must accept any interference, including interference that may cause undesired operation of the device.

## IC Radiation Exposure Statement

This equipment complies with IC radiation exposure limits set forth for an uncontrolled environment.

This equipment should be installed and operated with a minimum distance of 20 cm (7.8 inches) between the antenna and your body.

### NOTE

- THE MANUFACTURER IS NOT RESPONSIBLE FOR ANY RADIO OR TV INTERFERENCE CAUSED BY UNAUTHORIZED MODIFICATIONS TO THIS EQUIPMENT. SUCH MODIFICATIONS COULD VOID THE USER'S AUTHORITY TO OPERATE THE EQUIPMENT.

## Open Source Software Notice Information

To obtain the source code that is contained in this product, under GPL, LGPL, MPL, and other open

source licenses that have the obligation to disclose source code, and to access all referred license terms, copyright notices and other relevant documents, please visit <https://opensource.lge.com>.

LG Electronics will also provide open source code to you on CD-ROM for a charge covering the cost of performing such distribution (such as the cost of media, shipping, and handling) upon email request to [opensource@lge.com](mailto:opensource@lge.com).

This offer is valid to anyone in receipt of this information for a period of three years after our last shipment of this product.

## Smart Grid Function

When the refrigerator operates in Smart Grid mode, the Smart Refrigerator function can control energy usage or delay the operation of some functions to save energy during peak usage periods.

- You can override the Smart Grid function any time (using the **Smart Grid** button or application).
- To use the Smart Grid function, you need to register your appliance with your electric utility company, provided that your electric utility company supports the function. In other words, the Smart Grid function will not be available if your electric utility company does not support the function or does not have the capability to support the function.

## Smart Grid Application Features

- Smart Saving\_Demand Response
  - You can lower energy usage based on Demand Response (DR) signals from the utility company. If the refrigerator is operating in Smart Saving mode according to the DR signal, you can see a pop up.
- Seasonal Energy Savings
  - Lower energy usage based on time period.

# MAINTENANCE

## Cleaning

### ⚠ WARNING

- Use non-flammable cleaner. Failure to do so can result in fire, explosion, or death.

### ⚠ CAUTION

- Do not use an abrasive cloth or sponge when cleaning the interior and exterior of the refrigerator.
- Do not place your hand on the bottom surface of the refrigerator when opening and closing the doors.

## General Cleaning Tips

- Both the refrigerator and freezer sections defrost automatically; however, clean both sections once a month to prevent odors.
- Wipe up spills immediately.
- Unplug the refrigerator or disconnect power before cleaning.
- Remove all removable parts, such as shelves.
- Use a clean sponge or soft cloth and a mild detergent in warm water. Do not use abrasive or harsh cleaners.
- Hand wash, rinse and dry all surfaces thoroughly.

## Exterior

For products with black stainless steel exterior, spray glass cleaner on a clean microfiber cloth and rub in direction of grain. Do not spray glass cleaner directly at the display panel. Do not use harsh or abrasive cleaners.

For products with a standard stainless steel exterior, use a damp microfiber cloth and rub in the direction of the grain. Dry with a paper towel to avoid streaks. For stubborn stains and fingerprints, use a few drops of liquid dish soap in water, and rinse with hot water before drying. Do not use abrasive or harsh cleaners.

To clean products with a mirrored glass door, use the microfiber cloth that came with the product. To remove stains more easily, spray the cloth with a glass cleaner and wipe the surface.

## Proximity Sensor

This feature is only available on some models.

A proximity sensor is installed on the bottom of the refrigerator door. The build-up of dust may affect the proximity sensor performance. Clean the sensor regularly. Use a clean sponge or soft cloth and a mild detergent in warm water. Do not use glass cleaners, abrasive cleansers, or flammable fluids. These can scratch or damage the material. Dry with a paper towel to avoid streaks.

## Inside Walls

- Allow the freezer to warm up so the cloth will not stick.

To help remove odors, wash the inside of the refrigerator with a mixture of baking soda and warm water. Mix 2 tablespoons of baking soda to 1 quart of water (26 g soda to 1 liter water.) Be sure the baking soda is completely dissolved so it does not scratch the surfaces of the refrigerator.

## Door Liners and Gaskets

Use a clean sponge or soft cloth and a mild detergent in warm water. Do not use cleaning waxes, concentrated detergents, bleaches, or cleaners containing petroleum on plastic refrigerator parts.

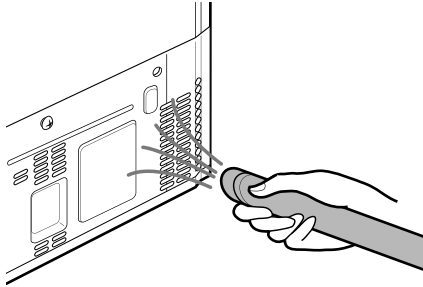
## Plastic Parts (Covers and Panels)

Use a clean sponge or soft cloth and a mild detergent in warm water. Do not use glass cleaners, abrasive cleansers, or flammable fluids. These can scratch or damage the material.

## Condenser Coils

Use a vacuum cleaner with a brush or crevice attachment to clean the condenser cover and

vents. Do not remove the panel covering the condenser coil area.



## Air Filter

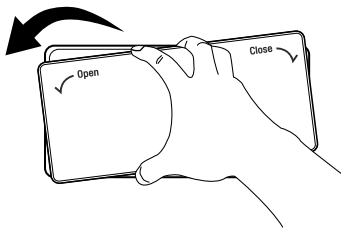
This feature is only available on some models.

### Replacing the Fresh Air Filter

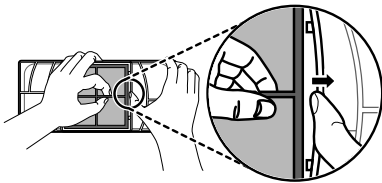
Replace the Fresh Air Filter:

- Approximately every six months.
- When the **Replace Filter** icon turns on.
- Use replacement air filter: LT120F

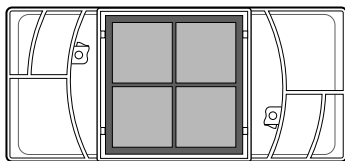
- 1 Rotate the filter cover counterclockwise to release the tabs, and remove the cover.



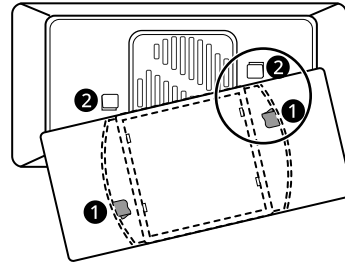
- 2 Remove the filter from the inside of the cover by pressing the side of the filter in and pulling the center out.



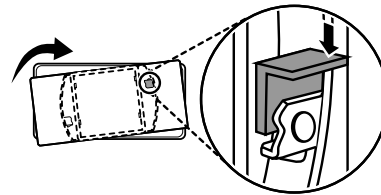
- 3 Place the new filter inside of the cover with the side that says **FRONT** facing outward.



- 4 Align tabs ① on the filter cover with hooks ② on the refrigerator wall.



- 5 Rotate the air filter cover clockwise until the hooks engage and the cover locks in place.



- 6 Press and hold the **Fresh Air Filter** button on the control panel for 3 seconds to reset the filter sensor.



## Water Filter

### Before Replacing the Water Filter

#### ⚠ WARNING

- To reduce the risk associated with choking, do not allow children under 3 years of age to have access to small parts during the installation of this product.
- To reduce the risk associated with the ingestion of contaminants, do not use with water that is microbiologically unsafe or of unknown quality without adequate disinfection before or after the system.
- Use of unauthorized water filters may result in product malfunction, water leakage or water quality issues, which will not be covered under the product warranty.

#### ⚠ CAUTION

- Read and follow Use Instructions before installation and use of this system.

## 42 MAINTENANCE

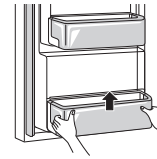
### ⚠ CAUTION

- Installation and use **MUST** comply with all state and local plumbing codes.
- Do not install if water pressure exceeds 120 psi (827 kPa). If your water pressure exceeds 80 psi, you must install a pressure limiting valve. Contact a plumber if uncertain how to check your water pressure.
- Do not install where water hammer conditions may occur. If water hammer conditions exist you must install a water hammer arrester. Contact a plumbing professional if you are uncertain how to check for this condition.
- Do not install on hot water supply lines. The maximum operating water temperature of this filter system is 100 °F (37.8 °C).
- Protect filter from freezing. Drain filter when temperatures drop below 40 °F (4.4 °C).
- The disposable filter cartridge **MUST** be replaced every 6 months, at the rated capacity or if a noticeable reduction in flow rate occurs.
- To protect it from freezing, remove filter cartridge when temperatures are expected to drop below 33 °F.
- Do not install systems in areas where ambient temperatures may go above 110 °F (43.3 °C).
- Where a backflow prevention device is installed on a water system, a device for controlling pressure due to thermal expansion must be installed.
- Ensure all tubing and fittings are secure and free from leaks.

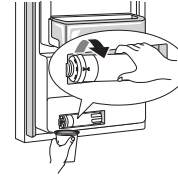
### Replacing the Water Filter (Type A)

- Replace the water filter:
  - Approximately every six months.
  - When the **Water Filter** indicator lights up.
  - When the water dispenser output decreases.
- To purchase a replacement water filter:
  - Visit your local dealer or distributor
  - Search using "water filter" on lg.com
  - Use replacement cartridge: LT1000P, LT1000PC, LT1000PCS or ADQ747935\*\*

#### 1 Remove the door bin.



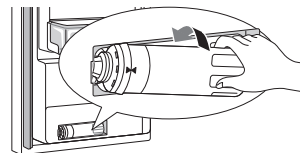
#### 2 Remove the disposable water filter.



### NOTE

- Replacing the water filter causes a small amount of water (around 1 oz. or 25 cc) to drain.
- Wrap a cloth around the front end of the water filter cover to collect any leaking water. Hold the water filter upright, once it is removed, to prevent any remaining water from spilling out of the water filter.

- #### 3 Replace with a new water filter. Insert the new filter into the filter head and rotate it clockwise until the arrow on the new filter lines up with the arrow on the filter head. Swing the filter back into the compartment.



#### 4 Replace the door bin.

- #### 5 After changing the filter, press and hold the **Water Filter** button for three seconds to reset the indicator light.

- #### 6 After the water filter is replaced, dispense 2.5 gallons of water (flush for approximately 5 minutes) to remove trapped air and contaminants from the system.

### NOTE

- Do not dispense the entire 2.5 gallon amount continuously. Press and release the dispenser

pad for cycles of 30 seconds ON and 60 seconds OFF.

**CAUTION**

- LG strongly recommends that you use LG-authorized water filters to prevent water quality issues, water leakage and appliance malfunction.

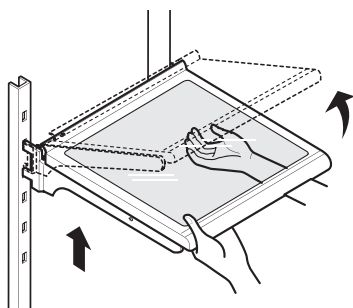
For further assistance, call:

- 1-800-243-0000 (USA)
- 1-888-542-2623 (Canada)

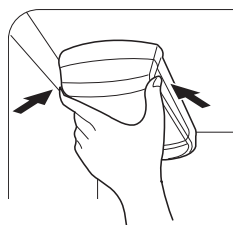
**Replacing the Water Filter (Type B)**

- Replace the water filter:
  - Approximately every six months.
  - When the Replace Filter icon or the indicator light turns on.
  - When the water dispenser output decreases.
- To purchase a replacement water filter:
  - Visit your local dealer or distributor
  - Search using "water filter" on lg.com
  - Use replacement cartridge: LT1000P, LT1000PC, LT1000PCS or ADQ747935\*\*

- 1 If the top shelf, located below the water filter, is in the highest position, it will need to be removed prior to replacing the water filter.
  - To remove any shelf, tilt up the front of the shelf and lift it. Pull the shelf out.



- 2 Pinch the sides to open the water filter cover.

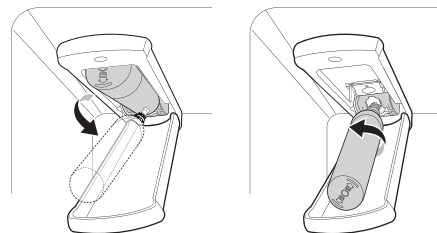


- 3 Pull the water filter downward and turn it counterclockwise before pulling it out.

- Make sure to rotate the filter down completely before pulling it out of the manifold hole.

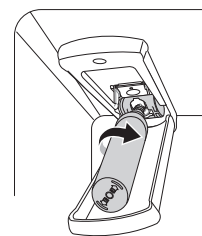
**NOTE**

- Replacing the water filter causes a small amount of water (around 1 oz. or 25 cc) to drain.
- Wrap a cloth around the front end of the water filter cover to collect any leaking water. Hold the water filter upright, once it is removed, to prevent any remaining water from spilling out of the water filter.

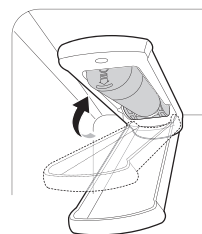


- 4 Replace with a new water filter.

- Take the new water filter out of its packing and remove the protective cover from the o-rings. With the water filter tabs in the horizontal position, push the new water filter into the manifold hole and turn it clockwise until it stops.



- 5 Close the water filter cover. The cover will click when closed correctly.



- 6 After the water filter is replaced, dispense 2.5 gallons of water (flush for approximately 5

## 44 MAINTENANCE

---

minutes) to remove trapped air and contaminants from the system.

### NOTE

- Do not dispense the entire 2.5 gallon amount continuously. Press and release the dispenser pad for cycles of 30 seconds ON and 60 seconds OFF.

- 7 After changing the filter, press and hold the **Water Filter** button for three seconds to reset the indicator light.

### CAUTION

- LG strongly recommends that you use LG-authorized water filters to prevent water quality issues, water leakage and appliance malfunction.
- 
- For further assistance, call:
    - 1-800-243-0000 (USA)
    - 1-888-542-2623 (Canada)



## Performance Data Sheet

Model: LT1000P, LT1000PC, LT1000PCS

NSF System Trade Name Code: MDJ64844601

The concentration of the indicated substances in water entering the system was reduced to a concentration less than or equal to the permissible limit for water leaving the system as specified in NSF/ANSI Standard 42, Standard 53 and Standard 401.

ENGLISH

 System tested and certified by NSF International against NSF/ANSI Standard 42, Standard 53 and Standard 401 for the reduction of substances listed below.

Substance Reduction	Average Influent Challenge	NSF Specified Challenge Concentration	Avg % Reduction	Average Product Water Concentration	Max Permissible Product Water Concentration	NSF Reduction Requirements
Chlorine Taste and Odor	2.0 µg/L	2.0 µg/L ± 10 %	>97.5 %	0.050 µg/L	N/A	≥ 50.00 %
Nominal Particulate Class I, ≥ 0.5 to < 1.0 µm	12,000,000 pts/ml	At least 10,000 particles/ml	99.80 %	24,000 pts/ml	N/A	≥ 85.00 %
Asbestos	180 MFL	10 <sup>7</sup> to 10 <sup>8</sup> MFL; fibers greater than 10 µg/Lin length	>99.00 %	< 1 MFL	N/A	≥ 99.00 %
Atrazine	8.5 µg/L	9.0 µg/L ± 10 %	>94.10 %	0.500 µg/L	3.0 µg/L	NA
Benzene	15.0 µg/L	15.0 µg/L ± 10 %	>96.60 %	0.510 µg/L	5.0 µg/L	NA
Carbofuran	74.0 µg/L	80.0 µg/L ± 10 %	98.30 %	1.258 µg/L	40 µg/L	NA
Lindane	1.9 µg/L	2.0 µg/L ± 10 %	>99.00 %	0.019 µg/L	0.2 µg/L	NA
P-Dichlorobenzene	230.0 µg/L	225.0 µg/L ± 10 %	>99.80 %	0.460 µg/L	75.0 µg/L	NA
2,4-D	210.0 µg/L	210.0 µg/L ± 10 %	>99.90 %	0.210 µg/L	70.0 µg/L	NA
Lead pH @6.5	140.0 µg/L	150.0 µg/L ± 10 %	99.60 %	0.560 µg/L	10.0 µg/L	NA
Lead pH @8.5	150.0 µg/L	150.0 µg/L ± 10 %	>99.70 %	<0.500 µg/L	10.0 µg/L	NA
Mercury @ pH6.5	5.9 µg/L	6.0 µg/L ± 10 %	91.00 %	0.531 µg/L	2.0 µg/L	NA
Mercury @ pH8.5	5.6 µg/L	6.0 µg/L ± 10 %	92.5 %	0.420 µg/L	2.0 µg/L	NA
Cyst*	100,000 cysts/L	Minimum 50,000 cysts/L	>99.99 %	10 cysts/L	N/A	≥ 99.95 %
Atenolol	240 ng/L	200 ± 40 % ng/L	>95.50 %	10.80 ng/L	30 ng/L	NA
Carbamazepine	1600 ng/L	1400 ± 40 % ng/L	98.40 %	25.60 ng/L	200 ng/L	NA
DEET	1600 ng/L	1400 ± 40 % ng/L	97.10 %	46.40 ng/L	200 ng/L	NA
Trimethoprim	170 ng/L	140 ± 40 % ng/L	>96.80 %	5.44 ng/L	20 ng/L	NA
Linuron	160 ng/L	140 ± 40 % ng/L	>96.60 %	5.44 ng/L	20 ng/L	NA
Phenytoin	200 ng/L	200 ± 40 % ng/L	>94.80 %	10.40 ng/L	30 ng/L	NA
Ibuprofen	400 ng/L	400 ± 40 % ng/L	>94.50 %	22.00 ng/L	60 ng/L	NA
Naproxen	140 ng/L	140 ± 40 % ng/L	>96.10 %	5.46 ng/L	20 ng/L	NA
Estrone	120 ng/L	140 ± 40 % ng/L	>96.10 %	4.68 ng/L	20 ng/L	NA
Bisphenol A	2000 ng/L	2000 ± 40 % ng/L	>98.90 %	22.00 ng/L	300 ng/L	NA
Nonyl Phenol	1600 ng/L	1400 ± 40 % ng/L	>97.10 %	46.40 ng/L	200 ng/L	NA

## 46 MAINTENANCE

\* Based on the use of *Cryptosporidium parvum* oocysts.

Guidelines for Application / Water Supply Parameters	
Service Flow	0.5 gpm (1.9 lpm)
Water Supply	Community or Private Well - Potable Water
Water Pressure	20 - 120 psi (138 - 827 kPa)
Water Temperature	33 °F - 100 °F (0.6 °C - 37.8 °C)
Capacity	200 gallons (757 liters)

It is essential that the manufacturer's recommended installation, maintenance and filter replacement requirements be carried out for the product to perform as advertised.

### NOTE

- While the testing was performed under standard laboratory conditions, actual performance may vary.

For replacement filters, visit your local dealer or distributor or search under "water filters" on the [lg.com](http://lg.com) website.

For further assistance, contact the LG Electronics Customer Information Center.

USA: 1-800-243-0000

Canada: 1-888-542-2623

### Replacement Cartridge: LT1000P, LT1000PC, LT1000PCS or ADQ747935\*\*

LG is a trademark of LG Corp.

NSF is a trademark of NSF International.

Manufactured by LG Electronics, INC:

170, Sungsanpaechoungro, Seongsan-gu, Gyeongsangnam-do, THE REPUBLIC OF KOREA

# TROUBLESHOOTING

## FAQs

### Frequently Asked Questions

**Q: What are the best temperature settings for my refrigerator and freezer?**

A: The default setting for the refrigerator is 37° Fahrenheit (3° Celsius). The default setting for the freezer is 0° Fahrenheit (-18° Celsius). Adjust these settings as necessary to keep food at desired temperatures. Milk should be cold when stored on the inner shelf of the refrigerator. Ice cream should be firm and ice cubes should not melt in the freezer. To switch the display from Fahrenheit to Celsius, press and hold the **Freezer** and **Refrigerator** buttons until you hear a beep and the settings in the display change.

**Q: How do I set the refrigerator and freezer temperatures?**

A: Continually press the **Refrigerator** or **Freezer** button on the control panel until the desired temperature appears. The numbers will cycle from highest to lowest and then return to the highest again with continuous pressing.

**Q: Why do I hear a buzzing noise from my refrigerator periodically?**

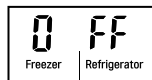
A: This may happen if you do not have a water source attached to your refrigerator and the icemaker is turned on. If you do not have a water source attached to the back of the refrigerator you should turn the icemaker off.

**Q: Why does the icemaker tray look crooked?**

A: This is a normal part of the icemaker cycle. The icemaker tray may appear level or with a slight tilt. The change in position is to assist in the freezing process.

**Q: My refrigerator is powered on and the controls are working, but it's not cooling and the display shows "OFF" (see below). What is wrong?**

A: The refrigerator is in Display Mode. The Display Mode disables all cooling in the refrigerator and freezer sections to conserve energy while on display in a retail store. When activated, OFF is displayed on the control panel and the display remains on for 20 seconds. With either refrigerator door opened, press the **Ice Plus** button 3 times consecutively while pressing the **Refrigerator** button. The control panel beeps and the temperature settings display to confirm that Display Mode is deactivated. Use the same procedure to activate Display Mode.



**Q: My refrigerator is on and is cooling, but none of the lights are on and the buttons don't work. The display shows "Sb".**

A: The Sabbath mode is activated. (Only included on some models.) To turn it off, see the **Sabbath Mode** section.

## 48 TROUBLESHOOTING

### Before Calling for Service

Review this section before calling for service; doing so will save you both time and money.

For further troubleshooting items, see the complete online manual.

#### Wi-Fi

Problem	Possible Cause & Solution
<b>Trouble connecting appliance and smartphone to Wi-Fi network</b>	<b>The password for the Wi-Fi network was entered incorrectly.</b> <ul style="list-style-type: none"> <li>Delete your home Wi-Fi network and begin the connection process again.</li> </ul>
	<b>Mobile data for your smartphone is turned on.</b> <ul style="list-style-type: none"> <li>Turn off the <b>Mobile data</b> on your smartphone before connecting the appliance.</li> </ul>
	<b>The wireless network name (SSID) is set incorrectly.</b> <ul style="list-style-type: none"> <li>The wireless network name (SSID) should be a combination of English letters and numbers. (Do not use special characters.)</li> </ul>
	<b>The router frequency is not 2.4 GHz.</b> <ul style="list-style-type: none"> <li>Only a 2.4 GHz router frequency is supported. Set the wireless router to 2.4 GHz and connect the appliance to the wireless router. To check the router frequency, check with your Internet service provider or the router manufacturer.</li> </ul>
	<b>The appliance and the router are too far apart.</b> <ul style="list-style-type: none"> <li>If the appliance is too far from the router, the signal may be weak and the connection may not be configured correctly. Move the router closer to the appliance or purchase and install a Wi-Fi repeater.</li> </ul>
	<b>During Wi-Fi setup, the app is requesting a password to connect to the product (on certain phones).</b> <ul style="list-style-type: none"> <li>Locate the network name which starts with "LG" under Settings &gt; Networks. Note the last part of the network name. <ul style="list-style-type: none"> <li>If the network name looks like LGE_Appliance_XX-XX-XX, enter lge12345.</li> <li>If the network name looks like LGE_Appliance_XXXX, enter XXXX twice as your password. For example, if the network name appears as LGE_Appliance_8b92, then you would enter 8b928b92 as your password. In this instance, the password is case sensitive and the last 4 characters are unique to your appliance.</li> </ul> </li> </ul>

# LIMITED WARRANTY

## USA

### TERMS AND CONDITIONS

**ARBITRATION NOTICE: THIS LIMITED WARRANTY CONTAINS AN ARBITRATION PROVISION THAT REQUIRES YOU AND LG ELECTRONICS ("LG") TO RESOLVE DISPUTES BY BINDING ARBITRATION INSTEAD OF IN COURT, UNLESS YOU CHOOSE TO OPT OUT. IN ARBITRATION, CLASS ACTIONS AND JURY TRIALS ARE NOT PERMITTED. PLEASE SEE THE SECTION TITLED "PROCEDURE FOR RESOLVING DISPUTES" BELOW.**

Should your LG Refrigerator ("Product") fail due to a defect in materials or workmanship under normal and proper use, during the warranty period set forth below, LG will, at its option, repair or replace the Product. This limited warranty is valid only to the original retail purchaser of the Product ("You") and applies only when purchased lawfully and used within the United States including U.S. Territories.

WARRANTY PERIOD			
Refrigerator/Freezer	Sealed System (Condenser, Dryer, Connecting Tube and Evaporator)	Compressor	
		One (1) year from the date of original retail purchase	Five (5) years from the date of original retail purchase
Parts and Labor (internal/functional parts only)	Parts and Labor	Parts and Labor	

- Replacement Products and parts are warranted for the remaining portion of the original warranty period or ninety (90) days, whichever is greater.
- Replacement Products and parts may be new, reconditioned, refurbished, or otherwise factory remanufactured.
- Replaced Product or part(s) will be the property of LG.
- Proof of original retail purchase specifying the Product model and date of purchase is required to obtain warranty service under this limited warranty.

**EXCEPT TO THE EXTENT PROHIBITED BY APPLICABLE LAW, ANY IMPLIED WARRANTY OF MERCHANTABILITY OR FITNESS FOR A PARTICULAR PURPOSE ON THE PRODUCT IS LIMITED IN DURATION TO THE DURATION OF THE ABOVE LIMITED WARRANTY. UNDER NO CIRCUMSTANCES SHALL LG OR ITS U.S. DISTRIBUTORS/DEALERS BE LIABLE FOR ANY INDIRECT, INCIDENTAL, CONSEQUENTIAL, SPECIAL, OR PUNITIVE DAMAGES, INCLUDING, WITHOUT LIMITATION, LOST GOODWILL, LOST REVENUES OR PROFITS, WORK STOPPAGE, IMPAIRMENT OF OTHER GOODS, COST OF REMOVAL AND REINSTALLATION OF THE PRODUCT, LOSS OF USE, OR ANY OTHER DAMAGES WHETHER BASED IN CONTRACT, TORT, OR OTHERWISE. LG'S TOTAL LIABILITY, IF ANY, SHALL NOT EXCEED THE PURCHASE PRICE PAID BY YOU FOR THE PRODUCT.**

**SOME STATES DO NOT ALLOW THE EXCLUSION OR LIMITATION OF INCIDENTAL OR CONSEQUENTIAL DAMAGES OR LIMITATIONS ON HOW LONG AN IMPLIED WARRANTY LASTS, SO THE ABOVE EXCLUSIONS OR LIMITATIONS MAY NOT APPLY TO YOU. THIS LIMITED WARRANTY GIVES YOU SPECIFIC LEGAL RIGHTS AND YOU MAY ALSO HAVE OTHER RIGHTS THAT VARY FROM STATE TO STATE.**

### THIS LIMITED WARRANTY DOES NOT COVER:

- Service trips to deliver, pick up, or install, educate how to operate, correct wiring, or correct unauthorized repairs.

## 50 LIMITED WARRANTY

---

- Damage or failure of the Product to perform during power failures and interrupted or inadequate electrical service.
- Damage or failure of the Product caused by leaky or broken water pipes, frozen water pipes, restricted drain lines, inadequate or interrupted water supply or inadequate supply of air.
- Damage or failure of the Product resulting from operating the Product in a corrosive atmosphere or contrary to the Product owner's manual.
- Damage or failure of the Product caused by accidents, pests and vermin, lightning, wind, fire, floods, acts of nature, or any other causes beyond the control of LG.
- Damage or failure of the Product caused by unauthorized modification or alteration, or if the Product is used for other than the intended purpose, or any water leakage where the Product was not properly installed.
- Damage or failure of the Product caused by incorrect electrical current, voltage, or plumbing codes.
- Damage or failure of the Product caused by transportation, storage, and/or handling, including scratches, dents, chips, and/or other damage to the finish of the Product, unless such damage is reported within one (1) week of delivery.
- Damage or failure of the Product resulting from misuse, abuse, improper installation, repair, or maintenance. Improper repair includes the use of parts not authorized by LG. Improper installation or maintenance includes installation or maintenance contrary to the Product owner's manual.
- Damage or failure of the Product caused by the use of parts, components, accessories, consumable cleaning products, or any other products or services that were not authorized by LG.
- Damage or missing items to any display or open box Product.
- Refurbished Product or any Product sold "As Is", "Where Is", "With all Faults", or similar disclaimer.
- Products with original serial numbers that have been removed, altered, or cannot be readily determined.
- Increases in utility costs and additional utility expenses.
- Any noises associated with normal operation.
- Products used for other than normal and proper household use (e.g., commercial or industrial use) or contrary to the Product owner's manual.
- Costs associated with removal and reinstallation of the Product for repairs, or the removal and reinstallation of the Product if it is installed in an inaccessible location or not installed in accordance with the Product Owner's manual.
- Accessories, removable components, or consumable parts (e.g. Shelves, door bins, drawers, water/air filters, racks, light bulbs, batteries, etc., as applicable), except for internal/functional parts covered under this limited warranty.

**The cost of repair or replacement under these excluded circumstances shall be borne by You.**

TO OBTAIN WARRANTY SERVICE AND ADDITIONAL INFORMATION

Call 1-800-243-0000 and select the appropriate option from the menu.

Or visit our website at <http://www.lg.com>

Or by mail: LG Electronics Customer Service P.O. Box 240007 Huntsville, AL 35813 ATTN: CIC

### PROCEDURE FOR RESOLVING DISPUTES:

ALL DISPUTES BETWEEN YOU AND LG ARISING OUT OF OR RELATING IN ANY WAY TO THIS LIMITED WARRANTY OR THE PRODUCT SHALL BE RESOLVED EXCLUSIVELY THROUGH BINDING ARBITRATION, AND NOT IN A COURT OF GENERAL JURISDICTION. BINDING ARBITRATION MEANS THAT YOU AND LG ARE EACH WAIVING THE RIGHT TO A JURY TRIAL AND TO BRING OR PARTICIPATE IN A CLASS ACTION.

**Definitions.** For the purposes of this section, references to "LG" mean LG Electronics U.S.A., Inc., its parents, subsidiaries and affiliates, and each of their officers, directors, employees, agents, beneficiaries, predecessors in interest, successors, assigns and suppliers; references to "dispute" or "claim" shall include any dispute, claim or controversy of any kind whatsoever (whether based in contract, tort, statute, regulation, ordinance, fraud, misrepresentation or any other legal or equitable theory) arising out of or relating in any way to the sale, condition or performance of the product or this Limited Warranty.

**Notice of Dispute.** In the event you intend to commence an arbitration proceeding, you must first notify LG in writing at least 30 days in advance of initiating the arbitration by sending a letter to LG at LG Electronics, USA, Inc. Attn: Legal Department- Arbitration 111 Sylvan Avenue, Englewood Cliffs, NJ 07632. You and LG agree to engage in good faith discussions in an attempt to amicably resolve your claim. The notice must provide your name, address, and telephone number; identify the product that is the subject of the claim; and describe the nature of the claim and the relief being sought. If you and LG are unable to resolve the dispute within 30 days, either party may proceed to file a claim for arbitration.

**Agreement to Binding Arbitration and Class Action Waiver.** Upon failure to resolve the dispute during the 30 day period after sending written notice to LG, you and LG agree to resolve any claims between us only by binding arbitration on an individual basis, unless you opt out as provided below. Any dispute between you and LG shall not be combined or consolidated with a dispute involving any other person's or entity's product or claim. More specifically, without limitation of the foregoing, any dispute between you and LG shall not under any circumstances proceed as part of a class or representative action. Instead of arbitration, either party may bring an individual action in small claims court, but that small claims court action may not be brought on a class or representative basis.

**Arbitration Rules and Procedures.** To begin arbitration of a claim, either you or LG must make a written demand for arbitration. The arbitration will be administered by the American Arbitration Association ("AAA") and will be conducted before a single arbitrator under the AAA's Consumer Arbitration Rules that are in effect at the time the arbitration is initiated (referred to as the "AAA Rules") and under the procedures set forth in this section. The AAA Rules are available online at [www.adr.org/consumer](http://www.adr.org/consumer). Send a copy of your written demand for arbitration, as well as a copy of this provision, to the AAA in the manner described in the AAA Rules. You must also send a copy of your written demand to LG at LG Electronics, USA, Inc. Attn: Legal Department- Arbitration 111 Sylvan Avenue, Englewood Cliffs, NJ 07632. If there is a conflict between the AAA Rules and the rules set forth in this section, the rules set forth in this section will govern. This arbitration provision is governed by the Federal Arbitration Act. Judgment may be entered on the arbitrator's award in any court of competent jurisdiction. All issues are for the arbitrator to decide, except that issues relating to the scope and enforceability of the arbitration provision and to the arbitrability of the dispute are for the court to decide. The arbitrator is bound by the terms of this provision.

**Governing Law.** The law of the state of your residence shall govern this Limited Warranty and any disputes between us except to the extent that such law is preempted by or inconsistent with applicable federal law.

**Fees/Costs.** You do not need to pay any fee to begin an arbitration. Upon receipt of your written demand for arbitration, LG will promptly pay all arbitration filing fees to the AAA unless you seek more than \$25,000 in damages, in which case the payment of these fees will be governed by the AAA Rules. Except as otherwise provided for herein, LG will pay all AAA filing, administration and arbitrator fees for any arbitration initiated in accordance with the AAA Rules and this arbitration provision. If you prevail in the arbitration, LG will pay your attorneys' fees and expenses as long as they are reasonable, by considering factors including, but not limited to, the purchase amount and claim amount. Notwithstanding the foregoing, if applicable law allows for an award of reasonable attorneys' fees and expenses, an arbitrator can award them to the same extent that a court would. If the arbitrator finds either the substance of your claim or the relief sought in the demand is frivolous or brought for an improper purpose (as measured by the standards set forth in Federal Rule of Civil Procedure 11(b)), then the payment of all arbitration fees will be governed by the AAA Rules. In such a situation, you agree to reimburse LG for all monies previously disbursed by it that are otherwise your obligation to pay under the AAA Rules. Except as otherwise provided for, LG waives any rights it may have to seek attorneys' fees and expenses from you if LG prevails in the arbitration.

**Hearings and Location.** If your claim is for \$25,000 or less, you may choose to have the arbitration conducted solely on the basis of (1) documents submitted to the arbitrator, (2) through a telephonic hearing, or (3) by an in-person hearing as established by the AAA Rules. If your claim exceeds \$25,000, the right to a hearing will be determined by the AAA Rules. Any in-person arbitration hearings will be held at a location within the federal judicial district in which you reside unless we both agree to another location or we agree to a telephonic arbitration.

**Opt Out.** You may opt out of this dispute resolution procedure. If you opt out, neither you nor LG can require the other to participate in an arbitration proceeding. To opt out, you must send notice to LG no later than 30 calendar days from the date of the first consumer purchaser's purchase of the product by either: (i) sending an e-mail to [optout@lge.com](mailto:optout@lge.com), with the subject line: "Arbitration Opt Out" or (ii) calling 1-

## 52 LIMITED WARRANTY

---

800-980-2973. You must include in the opt out e-mail or provide by telephone: (a) your name and address; (b) the date on which the product was purchased; (c) the product model name or model number; and (d) the serial number (the serial number can be found (i) on the product; or (ii) online by accessing <https://www.lg.com/us/support/repair-service/schedule-repair-continued> and clicking on "Find My Model & Serial Number").

You may only opt out of the dispute resolution procedure in the manner described above (that is, by e-mail or telephone); no other form of notice will be effective to opt out of this dispute resolution procedure. Opting out of this dispute resolution procedure will not affect the coverage of the Limited Warranty in any way, and you will continue to enjoy the full benefits of the Limited Warranty. If you keep this product and do not opt out, then you accept all terms and conditions of the arbitration provision described above.



# Canada

## TERMS AND CONDITIONS

**ARBITRATION NOTICE: THIS LIMITED WARRANTY CONTAINS AN ARBITRATION PROVISION THAT REQUIRES YOU AND LG TO RESOLVE DISPUTES BY BINDING ARBITRATION INSTEAD OF IN COURT, UNLESS THE LAWS OF YOUR PROVINCE OR TERRITORY DO NOT PERMIT THAT, OR, IN OTHER JURISDICTIONS, IF YOU CHOOSE TO OPT OUT. IN ARBITRATION, CLASS ACTIONS AND JURY TRIALS ARE NOT PERMITTED. PLEASE SEE THE SECTION TITLED "PROCEDURE FOR RESOLVING DISPUTES" BELOW.**

Should your LG Refrigerator ("Product") fail due to a defect in materials or workmanship under normal and proper use, during the warranty period set forth below, LG Electronics Canada, Inc. ("LGECI") will, at its option, repair, replace or pro rate the Product upon receipt of proof of the original retail purchase. This limited warranty is valid only to the original retail purchaser of the Product and applies only to a Product distributed, purchased from an authorized retailer and used within Canada, as determined at the sole discretion of LGECI.

<b>WARRANTY PERIOD (Note: If the original date of purchase cannot be verified, the warranty will begin sixty (60) days from the date of manufacture)</b>			
<b>Refrigerator</b>	<b>Sealed System (Condenser, Dryer, Connecting Tube and Evaporator)</b>		<b>Linear / Inverter Compressor</b>
One (1) year from the date of original retail purchase	One (1) year from the date of original retail purchase	Seven (7) years from the date of original retail purchase	Ten (10) years from the date of original retail purchase
Parts and Labor (internal/functional parts only)	Parts and Labor	Parts only (Consumer will be charged for labor)	Part only (Consumer will be charged for labor)

- Replacement products and parts are warranted for the remaining portion of the original warranty period or ninety (90) days, whichever is greater.
- Replacement products and parts may be new, reconditioned, refurbished, or otherwise factory remanufactured, all at the sole discretion of LGECI.
- Proof of original retail purchase specifying the Product model and date of purchase is required to obtain warranty service under this Limited Warranty.

**LGECI'S SOLE LIABILITY IS LIMITED TO THE LIMITED WARRANTY SET OUT ABOVE. EXCEPT AS EXPRESSLY PROVIDED ABOVE, LGECI MAKES NO, AND HEREBY DISCLAIMS, ALL OTHER WARRANTIES AND CONDITIONS RESPECTING THE PRODUCT, WHETHER EXPRESS OR IMPLIED, INCLUDING BUT NOT LIMITED TO, ANY IMPLIED WARRANTY OR CONDITION OF MERCHANTABILITY OR FITNESS FOR A PARTICULAR PURPOSE, AND NO REPRESENTATIONS SHALL BE BINDING ON LGECI. LGECI DOES NOT AUTHORIZE ANY PERSON TO CREATE OR ASSUME FOR IT ANY OTHER WARRANTY OBLIGATION OR LIABILITY IN CONNECTION WITH THE PRODUCT. TO THE EXTENT THAT ANY WARRANTY OR CONDITION IS IMPLIED BY LAW, IT IS LIMITED TO THE WARRANTY PERIOD SET OUT ABOVE. UNDER NO CIRCUMSTANCES SHALL LGECI, THE MANUFACTURER OR DISTRIBUTOR OF THE PRODUCT, BE LIABLE FOR ANY INCIDENTAL, CONSEQUENTIAL, SPECIAL, DIRECT, INDIRECT, PUNITIVE OR EXEMPLARY DAMAGES, INCLUDING, WITHOUT LIMITATION, LOSS OF GOODWILL, LOST PROFITS, LOSS OF ANTICIPATED PROFITS, LOST REVENUE, LOSS OF USE, OR ANY OTHER DAMAGE, WHETHER ARISING DIRECTLY OR INDIRECTLY FROM ANY CONTRACTUAL BREACH, FUNDAMENTAL BREACH, TORT OR OTHERWISE, OR FROM ANY ACTS OR OMISSIONS. LGECI'S TOTAL LIABILITY, IF ANY, SHALL NOT EXCEED THE PURCHASE PRICE PAID BY YOU FOR THE PRODUCT.**

This Limited Warranty gives you specific legal rights. You may also have other rights that vary from province to province depending on applicable provincial laws. Any term of this Limited Warranty that negates or varies any implied condition or warranty under provincial law is severable where it conflicts with such provincial law without affecting the remainder of this warranty's terms.

## 54 LIMITED WARRANTY

---

### THIS LIMITED WARRANTY DOES NOT COVER:

- Service trips to i) deliver, pick up, or install or; educate on how to operate the Product; ii) correct wiring or plumbing; or iii) correct unauthorized repairs or installations of the Product;
- Damage or failure of the Product to perform during power failures and interrupted or inadequate electrical service;
- Damage or failure caused by leaky or broken water pipes, frozen water pipes, restricted drain lines, inadequate or interrupted water supply or inadequate supply of air;
- Damage or failure resulting from operating the Product in a corrosive atmosphere or contrary to the instructions outlined in the Product's owner's manual;
- Damage or failure to the Product caused by accidents, pests and vermin, lightning, wind, fire, floods, acts of God, or any other causes beyond the control of LGECI or the manufacturer;
- Damage or failure resulting from misuse, abuse, improper installation, repair, or maintenance of the Product. Improper repair includes use of parts not authorized or specified by LGECI. Improper installation or maintenance includes installation or maintenance contrary to the Product's owner's manual;.
- Damage or failure caused by unauthorized modification or alteration of the Product, or if used for other than the intended household purpose/use of the Product, or damage or failure resulting from any water leakage due to improper installation of the Product;
- Damage or failure caused by incorrect electrical current, voltage or plumbing codes;
- Damage or failure caused by use that is other than normal household use, including, without limitation, commercial or industrial use, including use in commercial offices or recreational facilities, or as otherwise outlined in the Product's owner's manual;
- Damage or failure caused by the use of any accessories, components or cleaning products, including, without limitation, water filters, that are not approved/authorized by LGECI;
- Replacement of the water filter cartridge due to water pressure that is outside the specified operating range or due to excessive sediment in the water supply;
- Damage or failure caused by transportation and handling, including scratches, dents, chips and/or other damage to the finish of the Product, unless such damage results from defects in materials or workmanship and is reported to LGECI within one (1) week of delivery of the Products;
- Damage or missing items to any display, open box, refurbished or discounted Product;
- Refurbished Product or any Product sold "As Is", "Where Is", "With all Faults", or any similar disclaimer;
- Products with original serial numbers that have been removed, altered or cannot be readily determined at the discretion of LGECI;
- Increases in utility costs and additional utility expenses in any way associated with the Product;
- Any noises associated with normal operation of the Product;
- Replacement of light bulbs, filters, fuses or any other consumable parts;
- Replacement of any part that was not originally included with the Product;
- Costs associated with removal and/or reinstallation of the Product for repairs; and
- Shelves, door bins, drawers, handle and accessories to the Product, except for internal/functional parts covered under this Limited Warranty.
- Coverage for "in Home" repairs, for products in-warranty, will be provided if the Product is within a 150 km radius from the nearest authorized service center (ASC), as determined by LG Canada. If your Product is located outside a 150 km radius from a ASC, as determined by LG Canada, it will be your responsibility to bring the Product, at your sole expense, to the ASC for in-warranty repair.

**All costs and expenses associated with the above excluded circumstances, listed under the heading, This Limited Warranty Does Not Cover, shall be borne by the consumer.**

TO OBTAIN WARRANTY SERVICE AND ADDITIONAL INFORMATION, PLEASE CALL OR VISIT OUR WEBSITE:

Call 1-888-542-2623 (7 A.M. to 12 A.M., 365 days a year) and select the appropriate option from the menu, or visit our website at <http://www.lg.com>

## PROCEDURE FOR RESOLVING DISPUTES:

EXCEPT WHERE PROHIBITED AT LAW, ALL DISPUTES BETWEEN YOU AND LG ARISING OUT OF OR RELATING IN ANY WAY TO THIS LIMITED WARRANTY OR THE PRODUCT SHALL BE RESOLVED EXCLUSIVELY THROUGH BINDING ARBITRATION, AND NOT IN A COURT OF GENERAL JURISDICTION. EXCEPT WHERE PROHIBITED AT LAW, YOU AND LG BOTH IRREVOCABLY AGREE TO WAIVE THE RIGHT TO A JURY TRIAL AND TO BRING OR PARTICIPATE IN A CLASS ACTION.

**Definitions.** For the purposes of this section, references to “LG” mean LG Electronics Canada, Inc., its parents, subsidiaries and affiliates, and each of their officers, directors, employees, agents, beneficiaries, predecessors in interest, successors, assigns and suppliers; references to “dispute” or “claim” shall include any dispute, claim or controversy of any kind whatsoever (whether based in contract, tort, statute, regulation, ordinance, fraud, misrepresentation or any other legal or equitable theory) arising out of or relating in any way to the sale, condition or performance of the product or this Limited Warranty.

**Notice of Dispute.** In the event you intend to commence an arbitration proceeding, you must first notify LG in writing at least 30 days in advance of initiating the arbitration by sending a letter to LGECI Legal Team at 20 Norelco Drive, North York, Ontario, Canada M9L 2X6 (the “Notice of Dispute”). You and LG agree to engage in good faith discussions in an attempt to amicably resolve your claim. The notice must provide your name, address, and telephone number; identify the product that is the subject of the claim; and describe the nature of the claim and the relief being sought. If you and LG are unable to resolve the dispute within 30 days of LG’s receipt of the Notice of Dispute, the dispute shall be resolved by binding arbitration in accordance with the procedure set out herein. You and LG both agree that, during the arbitration proceeding, the terms (including any amount) of any settlement offer made by either you or LG will not be disclosed to the arbitrator until the arbitrator determines the dispute.

**Agreement to Binding Arbitration and Class Action Waiver.** Upon failure to resolve the dispute during the 30 day period after LG’s receipt of the Notice of Dispute, you and LG agree to resolve any claims between you and LG only by binding arbitration on an individual basis, unless you opt out as provided below, or you reside in a jurisdiction that prevents full application of this clause in the circumstances of the claims at issue (in which case if you are a consumer, this clause will only apply if you expressly agree to the arbitration). To the extent permitted by applicable law, any dispute between you and LG shall not be combined or consolidated with a dispute involving any other person’s or entity’s product or claim. More specifically, without limitation of the foregoing, except to the extent such a prohibition is not permitted at law, any dispute between you and LG shall not under any circumstances proceed as part of a class or representative action. Instead of arbitration, either party may bring an individual action in small claims court, but that small claims court action may not be brought on a class or representative basis except to the extent this prohibition is not permitted at law in your province or territory of jurisdiction as it relates to the claims at issue between you and LG.

**Arbitration Rules and Procedures.** To begin arbitration of a claim, either you or LG must make a written demand for arbitration. The arbitration will be private and confidential, and conducted on a simplified and expedited basis before a single arbitrator chosen by the parties under the provincial or territorial commercial arbitration law and rules of the province or territory of your residence. You must also send a copy of your written demand to LG at LG Electronics, Canada, Inc., Attn: Legal Department- Arbitration, 20 Norelco Drive, North York, Ontario M9L 2X6. This arbitration provision is governed by your applicable provincial or territorial commercial arbitration legislation. Judgment may be entered on the arbitrator’s award in any court of competent jurisdiction. All issues are for the arbitrator to decide, except that, issues relating to the scope and enforceability of the arbitration provision and to the arbitrability of the dispute are for the court to decide. The arbitrator is bound by the terms of this provision.

**Governing Law.** The law of the province or territory of your purchase shall govern this Limited Warranty and any disputes between you and LG except to the extent that such law is preempted by or inconsistent with applicable federal or provincial/territorial law. Should arbitration not be permitted for any claim, action, dispute or controversy between you and LG, you and LG attorn to the exclusive jurisdiction of the courts of the province or territory of your purchase for the resolution of the claim, action, dispute or controversy between you and LG.

**Fees/Costs.** You do not need to pay any fee to begin an arbitration. Upon receipt of your written demand for arbitration, LG will promptly pay all arbitration filing fees unless you seek more than \$25,000 in damages, in which case the payment of these fees will be governed by the applicable arbitration rules. Except as otherwise provided for herein, LG will pay all filing, administration and arbitrator fees for any arbitration initiated in accordance with the applicable arbitration rules and this arbitration provision. If you prevail in the arbitration, LG will pay your attorneys’ fees and expenses as long as they are reasonable, by

## 56 LIMITED WARRANTY

---

considering factors including, but not limited to, the purchase amount and claim amount. Notwithstanding the foregoing, if applicable law allows for an award of reasonable attorneys' fees and expenses, an arbitrator can award them to the same extent that a court would. If the arbitrator finds either the substance of your claim or the relief sought in the demand is frivolous or brought for an improper purpose (as measured by the applicable laws), then the payment of all arbitration fees will be governed by the applicable arbitration rules. In such a situation, you agree to reimburse LG for all monies previously disbursed by it that are otherwise your obligation to pay under the applicable arbitration rules. Except as otherwise provided for, LG waives any rights it may have to seek attorneys' fees and expenses from you if LG prevails in the arbitration.

**Hearings and Location.** If your claim is for \$25,000 or less, you may choose to have the arbitration conducted solely (1) on the basis of documents submitted to the arbitrator, (2) through a telephonic hearing, or (3) by an in-person hearing as established by the applicable arbitration rules. If your claim exceeds \$25,000, the right to a hearing will be determined by the applicable arbitration rules. Any in-person arbitration hearings will be held at the nearest, most mutually-convenient arbitration location available within the province or territory in which you reside unless you and LG both agree to another location or agree to a telephonic arbitration.

**Severability and Waiver.** If any portion of this Limited Warranty (including these arbitration procedures) is unenforceable, the remaining provisions will continue in full force and effect to the maximum extent permitted by applicable law. Should LG fail to enforce strict performance of any provision of this Limited Warranty (including these arbitration procedures), it does not mean that LG intends to waive or has waived any provision or part of this Limited Warranty.

**Opt Out.** You may opt out of this dispute resolution procedure. If you opt out, neither you nor LG can require the other to participate in an arbitration proceeding. To opt out, you must send notice to LG no later than 30 calendar days from the date of the first consumer purchaser's purchase of the product by either (i) sending an e-mail to [optout@lge.com](mailto:optout@lge.com), with the subject line: "Arbitration Opt Out;" or (ii) calling 1-800-980-2973. You must include in the opt out e-mail or provide by telephone: (a) your name and address; (b) the date on which the product was purchased; (c) the product model name or model number; and (d) the serial number (the serial number can be found (i) on the product; or (ii) online by accessing [https://www.lg.com/ca\\_en/support/repair-service/schedule-repair](https://www.lg.com/ca_en/support/repair-service/schedule-repair) and clicking on "Find My Model & Serial Number").

In the event that you "Opt Out", the law of the province or territory of your residence shall govern this Limited Warranty and any disputes between you and LG except to the extent that such law is preempted by or inconsistent with applicable federal or provincial/territorial law. Should arbitration not be permitted for any claim, action, dispute or controversy between you and LG, you and LG agree to attorn to the exclusive jurisdiction of the courts of the province or territory of your residence for the resolution of the claim, action, dispute or controversy between you and LG.

You may only opt out of the dispute resolution procedure in the manner described above (that is, by e-mail or telephone); no other form of notice will be effective to opt out of this dispute resolution procedure. Opting out of this dispute resolution procedure will not affect the coverage of the Limited Warranty in any way, and you will continue to enjoy the full benefits of the Limited Warranty. If you keep this product and do not opt out, then you accept all terms and conditions of the arbitration provision described above.

**Conflict of Terms.** In the event of a conflict or inconsistency between the terms of this Limited Warranty and the End User License Agreement ("EULA") in regards to dispute resolution, the terms of this Limited Warranty shall control and govern the rights and obligations of the parties and shall take precedence over the EULA.



Escanee el código QR para ver el manual.



# MANUAL DEL PROPIETARIO

# REFRIGERADOR CON

# PUERTA FRANCESA

Lea el manual del propietario detenidamente previo a operar el electrodoméstico y manténgalo al alcance para futuras referencias. Este manual del propietario abreviado aborda la seguridad del usuario, las precauciones y la información de instalación.

Para ver el manual del propietario completo, puede

1. Manual en línea: visite el sitio web de LG en: <http://gscs-manual.lge.com/Total/HQ/GatewayPage/main.html> o escanee el código QR que se encuentra en la parte superior; o
2. Manual en PDF imprimible: Visite [lg.com](http://lg.com) y busque su número de modelo; o
3. Llame o escriba al servicio de atención al cliente según lo dispuesto en su Garantía limitada.

## ESPAÑOL

LRFDS3006\*, LRFVS3006\*, LRFVC2406\*, LRFXC2406\*, LRFDS3016\*, LRFXC2416\*, LRFDC2406\*, LRMDS3006\*, LRMVS3006\*, LRMDC2306\*, LRMVC2306\*, LLMXS3006\*, LRMXS3006\*, LRFOC2606\*, LRFGC2706\*, LRFLC2706\*, LRFXC2606\*, LLFGC2706\*, LRYKS3106\*, LRYXS3106\*, LRYKC2606\*, LRYXC2606\*, LCFC26XS\*, LF29S8250\*, LF30S8210\*, LF29S8330\*, LF29H8330\*, LF30H8210\*, LRFXS3106\*, LRFLS3206\*, LF29S8230\*, LF25G8330\*, LF25C8330\*, LF26G8210\*, LLFOC2606\*, LF31S6360\*, LF26C6360\*

[www.lg.com](http://www.lg.com)

Copyright © 2023-2024 LG Electronics Inc. Todos los derechos reservados

2

## ÍNDICE

### 3 INSTRUCCIONES IMPORTANTES DE SEGURIDAD 53 EE. UU.

---

- 3 LEA TODAS LAS INSTRUCCIONES ANTES DE UTILIZAR
- 3 ADVERTENCIA
- 6 PRECAUCIÓN

### 9 DESCRIPCIÓN GENERAL DEL PRODUCTO

---

- 9 Características del producto

### 11 INSTALACIÓN

---

- 11 Antes de la instalación
- 12 Elección de la ubicación adecuada
- 16 Removiendo/Ensamblando Agarraderas
- 17 Removiendo/Ensamblando Puertas y Estantes
- 23 Conexión del refrigerador al suministro de agua
- 25 Nivelando y Alineando la Puerta
- 27 Encendido

### 28 FUNCIONAMIENTO

---

- 28 Manual en línea del Propietario
- 28 Panel de control
- 35 InstaView
- 35 Modo Sabbath
- 36 Dispensador de Hielo y Agua
- 36 Máquina de Hielo Automática
- 39 Bandeja Full Convert™

### 40 FUNCIONES INTELIGENTES

---

- 40 Aplicación LG ThinQ
- 42 Función Smart Grid (Red Inteligente)

### 44 MANTENIMIENTO

---

- 44 Limpieza
- 45 Filtro de Aire
- 45 Filtro de agua

### 51 SOLUCIÓN DE PROBLEMAS

---

- 51 Preguntas frecuentes
- 52 Antes de llamar al servicio técnico

### 53 GARANTÍA LIMITADA

---

# INSTRUCCIONES IMPORTANTES DE SEGURIDAD

## LEA TODAS LAS INSTRUCCIONES ANTES DE UTILIZAR

ESPAÑOL

### Mensajes de seguridad

#### Su seguridad y la de los demás son muy importantes.

Tanto en este manual como en el equipo, hemos proporcionado muchos mensajes de seguridad importantes. Siempre debe leer y respetar todos los mensajes de seguridad.



Este es el símbolo de alerta de seguridad.

Este símbolo le advierte sobre posibles riesgos que pueden ocasionar lesiones o la muerte a usted o a otros. El símbolo de alerta de seguridad siempre estará acompañado de las palabras "ADVERTENCIA" o "PRECAUCIÓN" y seguido de un mensaje de seguridad importante.

Estos términos significan lo siguiente:



#### **ADVERTENCIA**

El incumplimiento de las instrucciones podría causarle la muerte o lesiones graves.



#### **PRECAUCIÓN**

El incumplimiento de las instrucciones podría causarle lesiones o daños al producto.

Todos los mensajes de seguridad le indicarán cuáles son los peligros potenciales, cómo reducir la posibilidad de lesiones y qué podría suceder si no sigue las instrucciones.

## ADVERTENCIA

### **ADVERTENCIA**

- Para disminuir el riesgo de explosiones, incendios, descargas eléctricas, quemaduras, lesiones o muerte para las personas que usen este artefacto, siga las precauciones básicas, incluidas las siguientes:

### Instalación

- Para reducir el riesgo de lesiones personales, respete todos los procedimientos de seguridad recomendados por la industria, incluso el uso de guantes de manga larga y gafas de seguridad.
- Nunca intente operar este artefacto si se encuentra dañado, si no funciona correctamente, si no está ensamblado por completo o si tiene piezas faltantes o rotas, incluido un cable o enchufe dañado.
- Conecte este producto únicamente a un tomacorriente dedicado, conectado a tierra, apto para usar con este producto (115 voltios, 60 Hz, solo CA). El usuario tiene la responsabilidad de reemplazar un tomacorriente de pared estándar de 2 tomas por un tomacorriente de pared estándar de 3 tomas.
- No use un tomacorriente que pueda apagarse con un interruptor. No use un cable de extensión.
- Posicione el electrodoméstico de un modo que le permita acceder fácilmente a la alimentación eléctrica.
- Al mover el electrodoméstico, tenga cuidado de no torcer ni dañar el cable de alimentación.
- Póngase en contacto con un centro de servicio autorizado antes de instalar o cambiar de lugar el electrodoméstico.
- Por ninguna razón debe cortar o quitar la tercera clavija (tierra) del cable de alimentación.
- Mantenga los materiales de empaque fuera del alcance de los niños. Los materiales de empaque pueden ser peligrosos para los niños. Corren riesgo de asfixia.
- No instale el electrodoméstico en un lugar húmedo o polvoriento, donde el aislamiento de las piezas eléctricas podría deteriorarse.

## 4 INSTRUCCIONES IMPORTANTES DE SEGURIDAD

---

- No coloque el electrodoméstico bajo la luz solar directa ni lo exponga a electrodomésticos que emitan calor, como cocinas o calefactores.
- No doble ni pellizque en exceso el cable de alimentación, ni coloque objetos pesados sobre este.
- Al colocar el electrodoméstico, asegúrese de que el cable de alimentación no quede atrapado ni se dañe.
- No coloque varias tomas de corriente portátiles o fuentes de alimentación portátiles en la parte trasera del electrodoméstico.

## FUNCIONAMIENTO

- Este refrigerador está destinado únicamente a usos domésticos y similares aplicaciones, tales como:
  - áreas de cocina en tiendas, oficinas y lugares de trabajo;
  - granjas; por clientes en hoteles, moteles y otros tipos de ambientes residenciales;
  - hospedajes tipo bed and breakfast;
  - aplicaciones de abastecimiento y de servicios similares de no distribución.
- Este aparato no se debe utilizar en instalaciones portátiles o móviles, tales como en usos de tipo marítimo o RV, donde estará en movimiento mientras funciona.
- Este aparato no está destinado para utilizarse por personas (incluyendo niños) con capacidades físicas, sensoriales o mentales reducidas, o con falta de experiencia o conocimiento, a menos que hayan recibido una supervisión o capacitación concerniente a el uso del aparato por una persona responsable de su seguridad.
- No use este electrodoméstico para fines especiales, como para conservar medicamentos o materiales de ensayo, usar en barcos, etc.
- NO permita que los niños entren y se paren o se cuelguen de las puertas o los estantes del electrodoméstico. Podrían dañar el refrigerador o sufrir lesiones graves.
- No permita que los niños entren al electrodoméstico. Podrían quedar atrapados y sofocarse.
- Debe supervisar a los niños para asegurarse de que no jueguen con el electrodoméstico.
- Mantenga los dedos lejos de los puntos de riesgo de pinzamiento; las distancias de separación entre las puertas y los gabinetes son necesariamente pequeñas. Tenga cuidado al cerrar las puertas cuando haya niños cerca.
- No toque los alimentos congelados ni las partes metálicas del compartimento del congelador si tiene las manos mojadas o húmedas. Hacerlo podría causar congelación.
- No vuelva a congelar alimentos congelados que se hayan descongelado por completo. Esto podría ser peligroso para su salud.
- No use adaptadores ni enchufe el cable de alimentación en un alargador de múltiples tomacorrientes.
- Si el cordón de alimentación es dañado, este debe ser reemplazado por el fabricante o por su agente de servicio o por personal similarmente calificado con el fin de evitar un peligro.
- No use el refrigerador ni toque el cable de alimentación con las manos mojadas.
- No modifique ni extienda el cable de alimentación.
- No use un tomacorriente que no esté certificado. No enchufe el electrodoméstico en un tomacorriente de pared dañado.
- No coloque las manos, los pies u otros objetos en la ventilación de aire ni en la parte inferior del refrigerador. Si lo hace, podría sufrir lesiones personales o descargas eléctricas.
- Si se produce una fuga de gas (propano/GPL), asegúrese de que el área esté adecuadamente ventilada y póngase en contacto con un centro de servicio autorizado antes de volver a usar el refrigerador. No toque ni desarme el electrodoméstico ni el cable de alimentación del electrodoméstico.
- Ante la presencia de ruidos u olores extraños, o si sale humo del electrodoméstico, desconecte el cable de alimentación de inmediato y póngase en contacto con un centro de servicio autorizado.
- No use fusibles (como cobre, alambre de acero, etc.) que no sean los fusibles estándar.
- No introduzca animales con vida dentro del electrodoméstico.



- No coloque objetos pesados o frágiles, contenedores llenos de líquido, sustancias combustibles u objetos inflamables (como velas y lámparas) sobre el electrodoméstico.
- Si se conecta a un circuito protegido con fusibles, utilice un fusible de retardo.
- Mantenga las aperturas de ventilación, en la cubierta del electrodoméstico o en la estructura incorporada, despejadas de obstrucciones.
- No utilice dispositivos mecánicos u otros medios para acelerar el proceso de descongelado, con excepción de aquellos recomendados por el fabricante.
- No utilice aparatos eléctricos dentro de los compartimientos de almacenaje de alimentos del electrodoméstico, a menos que sean de un tipo recomendado por el fabricante.
- No almacene sustancias explosivas como latas de aerosol con propulsores inflamables en este electrodoméstico.
- Si el divisor **Durabase** es removido, hay espacio suficiente para que niños o mascotas se introduzcan en él. Para prevenir que un niño o mascota se atasque o sofoque, NO permita que niños o mascotas toquen o se acerquen al estante.
- No dañe el circuito refrigerante.
- Este aparato incorpora una conexión a tierra con fines funcionales.
- Conecte únicamente a un suministro de agua potable.
  - Si está conectado a un suministro de agua, conéctese únicamente a un suministro de agua potable.
- Llene únicamente con agua potable.
  - Si utiliza una máquina para hacer hielo o un dispensador de agua, asegúrese de llenarlos únicamente con agua potable.

## Mantenimiento

- No use secadoras eléctricas para secar el interior del producto.
- No prenda velas para remover el olor interno del producto.
- En el caso de fuga del refrigerante, aleje los objetos inflamables del refrigerador. Asegúrese de que el área esté bien ventilada y póngase en contacto con un centro de servicio autorizado.
- Mantenga materiales inflamables y vapores, como gasolina, alejados del refrigerador.
- Desenchufe el cable de alimentación antes de limpiar o reparar el electrodoméstico.
- Las luces del refrigerador y el compartimento del congelador son luces LED para interiores, y un técnico calificado debe realizar el mantenimiento.
- En caso de apagón o tormenta eléctrica, desenchufe el cable de alimentación de inmediato.
- Apague la alimentación si ingresa agua o polvo en el electrodoméstico. Llame a un agente de servicio.
- No almacene contenedores de vidrio ni refrescos en el compartimento del congelador. Al congelarse, los contenidos pueden expandirse, romper el contenedor y provocar lesiones.
- No almacene, desarme ni repare el electrodoméstico usted mismo ni permita que el personal no calificado lo haga.

## Desecho

- Riesgo de atrapamiento de niños. Los electrodomésticos desechados o abandonados son peligrosos, incluso si se dejan de usar solo por unos pocos días. Al momento de desechar el refrigerador, retire los materiales de embalaje de la puerta o quite las puertas, pero deje los estantes en su lugar, a fin de que los niños no puedan ingresar fácilmente a este.
- Si desecha el refrigerador, asegúrese de que el refrigerante y la espuma de aislamiento sean removidos para su adecuada eliminación por un técnico calificado. Si libera el refrigerante o tira la espuma de aislamiento, puede ser multado o encarcelado de acuerdo con la legislación ambiental pertinente. La espuma de aislamiento contiene un gas expansor inflamable.

## 6 INSTRUCCIONES IMPORTANTES DE SEGURIDAD

---

- Cuando deseché el electrodoméstico, retire la junta de la puerta mientras deja los estantes y los recipientes en su lugar, y mantenga a los niños alejados del electrodoméstico.

### Instrucciones de conexión a tierra

- La conexión inadecuada del conductor de conexión a tierra puede resultar en riesgo de choque eléctrico. Pregunte a un electricista calificado o al personal de servicio si no está seguro si el artefacto está adecuadamente conectado a tierra. No modifique el enchufe que viene con el artefacto. Si no cabe en el contacto, pida que un electricista calificado instale un contacto apropiado.
- Haga que un técnico certificado verifique que el tomacorriente de pared y los cables estén adecuadamente conectados a tierra.
- Nunca tire del cable de alimentación para desenchufar el electrodoméstico. Agarre siempre el enchufe firmemente y tire del mismo para retirarlo del tomacorriente. Si no hace esto, podría dañar el cable de alimentación y generar un riesgo de incendio y descarga eléctrica.

### Riesgo de incendio y materiales inflamables



Este símbolo le avisa de materiales inflamables que pueden encenderse y provocar un incendio si no tiene cuidado.

Este electrodoméstico contiene una pequeña cantidad de refrigerante isobutano (R600a), que es combustible. Al transportar e instalar el electrodoméstico, debe prestar atención para asegurar que ninguna parte del circuito refrigerante se dañe. Fuga del refrigerante fuera de las tuberías podría generar un incendio o causar una lesión ocular. Si se detecta una fuga, evite cualquier llama descubierta o fuentes potenciales de incendio, y ventile el ambiente en el que se encuentra el electrodoméstico por varios minutos.

A manera de evitar la creación de una mezcla de gas y aire inflamable en caso ocurra una fuga en el circuito refrigerante, el tamaño de la habitación en el que el electrodoméstico se ubica deberá corresponder a la cantidad de refrigerante usada. El espacio debe ser de 10.8 pies cuadrados (1 metro cuadrado) por cada 8g de refrigerante R600a dentro del electrodoméstico. La cantidad de refrigerante en su electrodoméstico particular se muestra en la placa de identificación ubicada dentro del mismo. Nunca conecte un electrodoméstico mientras este muestre algún signo defectuoso. En caso de dudas, consulte con su distribuidor.

## PRECAUCIÓN

### PRECAUCIÓN

- Para reducir el riesgo de lesiones leves o moderadas a personas, el mal funcionamiento o daño al producto o propiedad cuando use este producto, siga las precauciones básicas, incluidas las siguientes:

### Instalación

- No coloque el electrodoméstico en un lugar donde podría caerse.
- El refrigerador debe instalarse correctamente, teniendo en cuenta las instrucciones de instalación.

### FUNCIONAMIENTO

- Este refrigerador está destinado únicamente a usos domésticos y similares.
- No raye el refrigerador con objetos puntiagudos ni use detergente que contenga alcohol, líquidos inflamables o abrasivos al remover cualquier cinta o adhesivo del mismo. Remueva los residuos de adhesivos borrándolos con su pulgar o detergente para platos.

- No despegue la etiqueta de número de serie, modelo o información técnica del panel trasero del refrigerador.
- Si coloca alimentos en el refrigerador previo a que este haya enfriado puede causar que los alimentos se echen a perder o que un mal olor permanezca en su interior.
- Mantenga las manos y herramientas fuera de la puerta del compartimento de hielo y del canal del dispensador. Si no lo hace, puede resultar en daños o lesiones personales.
- Mantenga la puerta del compartimento de hielo bien cerrada. Si la puerta del compartimento de hielo no está bien cerrada, el aire frío en el recipiente de hielo congelará los alimentos en el compartimento del refrigerador. Esto también puede causar que el dispensador de hielo deje de producir hielo.
- Los tarros de almacenamiento u otros artículos en el recipiente de hielo dañarán el dispensador.
- Almacene solo hielo en el recipiente de hielo. No almacene herramientas para sacar hielo u otros elementos en el recipiente de hielo.
- El hielo puede desbordarse al extraer o ensamblar el recipiente de hielo. Quite todo el hielo del área del recipiente antes de ensamblar el recipiente de hielo.
- Asegúrese de que el recipiente de hielo esté ensamblado en la orientación correcta desde adelante hacia atrás.
- Modelos con dos recipientes de hielo en el congelador:
  - El recipiente **Craft Ice** está ubicado a la izquierda y el recipiente **Mini Cubed Ice** está ubicado a la derecha. No cambie las posiciones de los dos recipientes de hielo.
  - No almacene el **Craft Ice** en el recipiente **Mini Cubed Ice** o el **Mini Cubed Ice** en el recipiente **Craft Ice**.
- Nunca use vasos delgados o contenedores de cristal para recoger hielo. Dichos contenedores pueden romperse o astillarse, dejando fragmentos de vidrio en el hielo.
- Únicamente personal de servicio calificado de un centro de servicios LG Electronics puede desarmar o reparar la máquina de hielo.
- Cuando manipule el recipiente de hielo, mantenga sus manos alejadas del área de la bandeja del dispensador para evitar lesiones.
- Evite tocar la desconexión automática (brazo sensitivo) mientras reemplaza el contenedor de hielo. Vea la etiqueta en la puerta del compartimento de hielo para detalles.
- No use aerosoles cerca del electrodoméstico.
- No golpee ni aplique demasiada fuerza en las superficies de vidrio. No toque las superficies de vidrio si están agrietadas o rotas.
- No llene ni envase en exceso los alimentos en los compartimentos de la puerta. Esto podría dañar el compartimento o provocar lesiones personales al retirar los alimentos aplicando una fuerza excesiva.
- No almacene contenedores de vidrio en el congelador. Al congelarse, los contenidos pueden expandirse, romper el contenedor y provocar lesiones.
- Los estantes de vidrio son pesados. Tenga especial cuidado al removerlos.
- No limpie los estantes de vidrio con agua caliente mientras estén fríos. Los estantes podrían romperse si se exponen a cambios de temperatura o impactos repentinos. Podría lesionarse.
- Asegúrese de que los estantes estén nivelados de un lado al otro. No hacerlo puede ocasionar que el estante caiga o los alimentos se derramen.
- Desprenda regularmente y lave los recipientes y estantes de almacenamiento; estos pueden contaminarse fácilmente por los alimentos.
- No aplique fuerza en exceso mientras desprende o ensambla los recipientes de almacenamiento.
- No use lava platos para limpiar los recipientes y estantes de almacenamiento.

## Mantenimiento

- No use detergentes fuertes como cera o diluyentes para la limpieza. Limpie con un trapo suave.

## 8 INSTRUCCIONES IMPORTANTES DE SEGURIDAD

---

- Retire los objetos extraños (como polvo y agua) de las clavijas del enchufe y las áreas de contacto. No use un trapo mojado o húmedo para limpiar el enchufe.
- No rocíe agua directamente en el interior o exterior del electrodoméstico.
- Cuando estén fríos, no limpie los estantes de vidrio ni las tapas con agua caliente. Si se exponen a cambios de temperatura repentinos, podrían romperse.

**GUARDE ESTAS INSTRUCCIONES**

# DESCRIPCIÓN GENERAL DEL PRODUCTO

## Características del producto

Las ilustraciones en esta guía pueden diferir de los componentes y accesorios reales, los cuales están sujetos a cambios sin previo aviso por parte del fabricante a fin de introducir mejoras en el producto.

## Especificaciones del producto

La apariencia y las especificaciones detalladas en este manual podrían variar debido a mejoras constantes en el producto.

**Requerimientos eléctricos:** 115 V, 60 Hz

**Presión de Agua Min/Max:** 20 - 120 psi (138 - 827 kPa)

ESPAÑOL

Modelo	Descripción	Peso neto
LRFDS3006*	Refrigerador de puerta francesa de profundidad-estándar, Door-in-Door, congelador bajo	331 lb (150 kg)
LRFDS3016*	Refrigerador de puerta francesa de profundidad-estándar, Door-in-Door, congelador bajo, Craft Ice	328 lb (149 kg)
LRFVS3006*	Refrigerador de puerta francesa de profundidad-estándar, InstaView Door-in-Door (Puerta-en-Puerta), congelador bajo, Craft Ice	337 lb (153 kg)
LRFXC2406*	Refrigerador de puerta francesa de profundidad mostrador, congelador bajo	276 lb (125 kg)
LRFXC2416*	Refrigerador de puerta francesa de profundidad mostrador, congelador bajo, Craft Ice	276 lb (125 kg)
LRFDC2406*	Refrigerador de puerta francesa de profundidad-mostrador, Door-in-Door, congelador bajo, Craft Ice	298 lb (135 kg)
LRFVC2406*	Refrigerador de puerta francesa de profundidad mostrador, InstaView Door-in-Door (Puerta-en-Puerta), congelador bajo, Craft Ice	306 lb (139 kg)
LRMDS3006*	Refrigerador de puerta francesa de profundidad-estándar, Door-in-Door, congelador bajo, Craft Ice	357 lb (162 kg)
LRMVS3006*	Refrigerador de puerta francesa de profundidad-estándar, InstaView Door-in-Door (Puerta-en-Puerta), congelador bajo, Craft Ice	362 lb (164 kg)
LRMVC2306*	Refrigerador de puerta francesa de profundidad mostrador, InstaView Door-in-Door (Puerta-en-Puerta), congelador bajo, Craft Ice	333 lb (151 kg)
LRMDC2306*	Refrigerador de puerta francesa de profundidad-mostrador, Door-in-Door, congelador bajo, Craft Ice	322 lb (146 kg)
LLMXS3006*	Profundidad-estándar, Refrigerador de puerta francesa, congelador bajo	331 lb (150 kg)
LRMXS3006*	Profundidad-estándar, Refrigerador de puerta francesa, congelador bajo, Craft Ice	331 lb (150 kg)
LRFOC2606*	Refrigerador de puerta francesa InstaView de profundidad-mostrador, congelador bajo	291 lb (132 kg)
LRFGC2706*	Refrigerador de puerta francesa InstaView de profundidad mostrador, congelador bajo, dispensador de agua interno	276 lb (125 kg)

## 10 DESCRIPCIÓN GENERAL DEL PRODUCTO

Modelo	Descripción	Peso neto
LRFLC2706*	Refrigerador de puerta francesa de profundidad mostrador, congelador bajo, dispensador de agua	249 lb (113 kg)
LRFXC2606*	Refrigerador de puerta francesa de profundidad mostrador, congelador bajo	269 lb (122 kg)
LLFGC2706*	Refrigerador de puerta francesa InstaView de profundidad mostrador, congelador bajo, dispensador de agua interno	276 lb (125 kg)
LCFC26XS*	Refrigerador de puerta francesa de profundidad mostrador, congelador bajo	269 lb (122 kg)
LRYS3106*	Refrigerador de puerta francesa de profundidad-estándar, Door-in-Door, congelador bajo	350 lb (159 kg)
LRYS3106*	Profundidad-estándar, Refrigerador de puerta francesa, congelador bajo	313 lb (142 kg)
LRK2606*	Refrigerador de puerta francesa de profundidad-mostrador, Door-in-Door, congelador bajo	315 lb (143 kg)
LRXC2606*	Refrigerador de puerta francesa de profundidad mostrador, congelador bajo	277 lb (126 kg)
LF29S8250*	Refrigerador de puerta francesa con InstaView en puerta y profundidad estándar, congelador bajo	333 lb (151 kg)
LF30S8210*	Refrigerador de puerta francesa de profundidad estándar, congelador bajo, dispensador de agua interior	291 lb (132 kg)
LF29S8330*	Profundidad-estándar, Refrigerador de puerta francesa, congelador bajo	318 lb (144 kg)
LF29H8330*	Profundidad-estándar, Refrigerador de puerta francesa, congelador bajo	320 lb (145 kg)
LF30H8210*	Refrigerador de puerta francesa de profundidad estándar, congelador bajo, dispensador de agua interior	294 lb (133 kg)
LRXS3106*	Profundidad-estándar, Refrigerador de puerta francesa, congelador bajo	304 lb (138 kg)
LRFLS3206*	Refrigerador de puerta francesa de profundidad estándar, congelador bajo, dispensador de agua interior	284 lb (129 kg)
LF29S8230*	Profundidad-estándar, Refrigerador de puerta francesa, congelador bajo	315 lb (143 kg)
LF25G8330*	Refrigerador de puerta francesa de profundidad mostrador, congelador bajo	291 lb (132 kg)
LF25C8330*	Refrigerador de puerta francesa de profundidad mostrador, congelador bajo	289 lb (131 kg)
LF26G8210*	Refrigerador de puerta francesa de profundidad mostrador, congelador bajo, dispensador de agua	273 lb (124 kg)
LLFOC2606*	Refrigerador de puerta francesa InstaView de profundidad-mostrador, congelador bajo	291 lb (132 kg)
LF31S6360*	Refrigerador de puerta francesa de profundidad-estándar, Door-in-Door, congelador bajo	340 lb (154 kg)
LF26C6360*	Refrigerador de puerta francesa de profundidad-mostrador, Door-in-Door, congelador bajo	304 lb (138 kg)

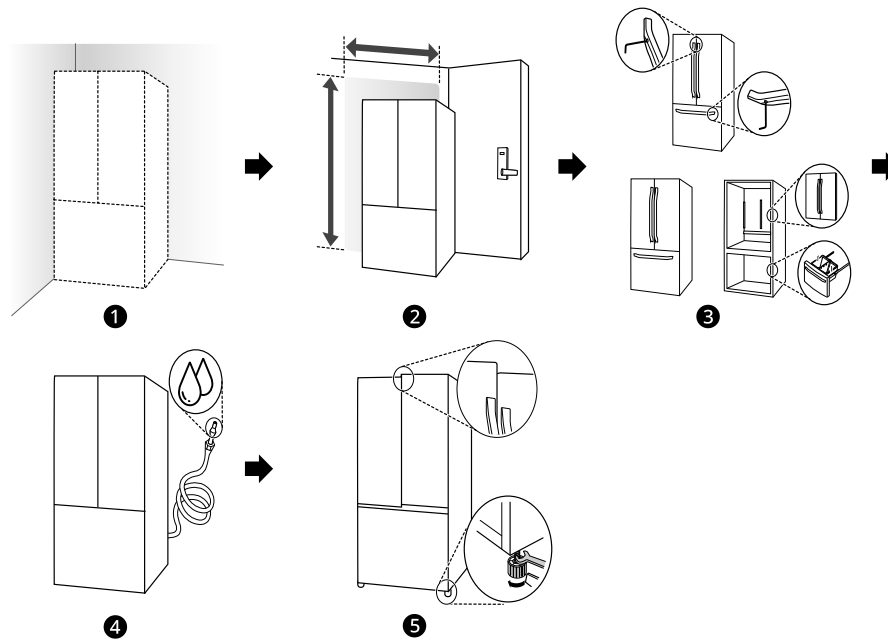
# INSTALACIÓN

## Antes de la instalación

### Descripción general de la instalación

Lea las siguientes instrucciones de instalación inmediatamente después de adquirir este producto o transportarlo a otra ubicación.

ESPAÑOL



- 1 Desempacando el refrigerador
- 2 Elección de la ubicación adecuada
- 3 Desensamblando / Ensamblando
- 4 Conectando la línea de agua
- 5 Nivelando y Alineando la Puerta

### **⚠ ADVERTENCIA**

- Conecte únicamente a un suministro de agua potable.

## 12 INSTALACIÓN

### Desempacando el refrigerador

#### ⚠ ADVERTENCIA

- Utilice a dos o más personas para mover e instalar el refrigerador. Si no lo hace, puede resultar en lesiones en la espalda o de otro tipo.
- El refrigerador es pesado. Proteja el piso al mover el refrigerador para limpieza o servicio. Siempre empuje el refrigerador hacia afuera al moverlo. No menee o sacuda el refrigerador al intentar moverlo pues puede dañar el piso.
- Mantenga materiales inflamables y vapores, como gasolina, alejados del refrigerador. Si no lo hace puede provocar un incendio, explosión o muerte.

#### NOTA

- Remueva la tapa y cualquier etiqueta temporal de su refrigerador previo a su uso. No remueva ninguna etiqueta de precaución, modelo y número de serie, o la Hoja Técnica que se encuentra bajo la parte frontal del refrigerador.
- Para remover cualquier cinta adhesiva o goma restante frote enérgicamente el área con su pulgar. La cinta adhesiva o residuos de goma pueden ser fácilmente removidos frotando una pequeña cantidad de jabón líquido para platos con sus dedos. Limpie con agua caliente y seque.
- No utilice instrumentos puntiagudos, alcohol para frotar, fluidos inflamables o limpiadores abrasivos para remover cinta adhesiva o goma. Estos productos pueden dañar la superficie de su refrigerador.
- Reinstale o ajuste lo estantes como sea necesario. Los estantes del refrigerador están instalados en su posición de embarque. Reinstale los estantes de acuerdo a sus necesidades de almacenamiento individuales.

### Elección de la ubicación adecuada

#### Agua

El refrigerador se debe ubicar donde se pueda conectar a un suministro de agua para el dispensador de hielo automático.

#### NOTA

- La presión del agua debe ser de entre 20 y 120 psi (entre 138 y 827 kPa). Si el refrigerador se instala en un área con baja

presión de agua (debajo de 20 psi o 138 kPa), puede instalar una bomba de refuerzo para compensar la baja presión.

### Electricidad

Utilice un enchufe con conexión a tierra individual: 115 Volts, 60 Hz, AC 15 Amps mínimo.

#### ⚠ ADVERTENCIA

- No sobrecargue el cableado del hogar causando peligro de incendio al conectar múltiples electrodomésticos en el mismo enchufe del refrigerador.
- Para reducir el riesgo de descarga eléctrica, no instale el refrigerador en un área húmeda ni mojada.

### Suelo

Para evitar ruido y vibración, la unidad debe ser instalada y nivelada en un piso sólidamente construido. De ser necesario, ajuste el nivel de las patas para compensar la irregularidad del piso.

#### NOTA

- No es recomendable la instalación sobre alfombrado, baldosas suaves o estructuras débilmente apoyadas.

### Temperatura ambiente

Instale este electrodoméstico en un área donde la temperatura esté entre 55 °F (13 °C) y 110 °F (43 °C).

Si la temperatura alrededor del electrodoméstico es muy baja o alta, la capacidad de enfriamiento puede ser afectada negativamente.

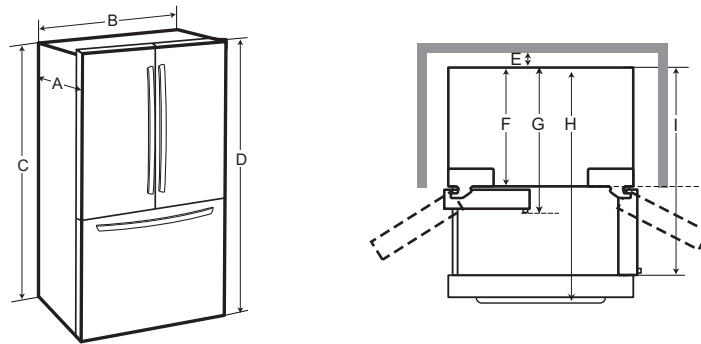
La temperatura interna podría verse afectada por la ubicación del electrodoméstico, la temperatura ambiente, la frecuencia con la que se abre la puerta y otros factores.



## Dimensiones y Espacios

- Revise las dimensiones del electrodoméstico y el proceso de instalación para asegurar que haya suficiente espacio para mover el refrigerador a través de puertas o aperturas angostas.
- Si una apertura es muy angosta para que pase el refrigerador, remueva las puertas del refrigerador. Vea Removiendo/ensamblando puertas y estantes en este manual.
- La ubicación de instalación elegida para el refrigerador debería considerar espacio en la parte trasera de la unidad para conexiones, circulación de aire y espacio en el frente para abrir las puertas y estantes.
- Una distancia muy pequeña entre los elementos adyacentes puede resultar en capacidad de enfriamiento reducida y en cargos altos de consumo eléctrico. Deje al menos 24 pulgadas (610 mm) frente al refrigerador para abrir las puertas, y al menos 2 pulgadas (50.8 mm) entre la parte trasera del refrigerador y la pared.

### • 3 puertas



### Modelos con agarraderas

	Dimensión/ Espacio	LRFVS3006* LRFDS3006* LRFDS3016*	LRFXS3106* LRFLS3206*	LRFVC2406* LRFXC2406* LRFXC2416* LRFDC2406*	LRFOC2606* LRFGC2706* LRFLC2706* LRFXC2606* LLFGC2706* LCFC26XS* LLFOC2606*
A	Profundidad sin agarrador	34 1/8" (866 mm)	34 3/8" (874 mm)	28 3/8" (718 mm)	29 1/8" (739 mm)
B	Ancho	35 3/4" (908 mm)	35 3/4" (908 mm)	35 3/4" (908 mm)	35 3/4" (908 mm)
C	Altura a la Punta de la Caja	68 7/8" (1750 mm)	68 7/8" (1750 mm)	68 7/8" (1750 mm)	68 7/8" (1750 mm)
D	Altura a la Punta de la Bisagra	70 1/4" (1785 mm)	70 1/4" (1785 mm)	70 1/4" (1785 mm)	70 1/4" (1785 mm)
E	Espacio Trasero	2" (50 mm)	2" (50 mm)	2" (50 mm)	2" (50 mm)
F	Profundidad sin Puerta	29 7/8" (758 mm)	30 1/8" (764 mm)	24 1/8" (610 mm)	24 3/4" (628 mm)
G	Profundidad con agarrador	36 5/8" (929 mm)	36 7/8" (937 mm)	30 3/4" (781 mm)	31 5/8" (802 mm)

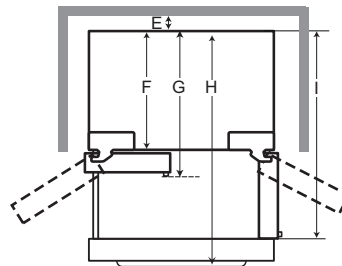
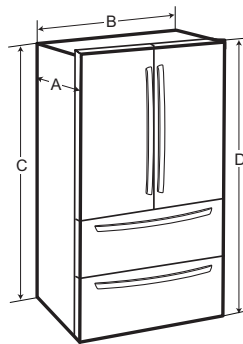
## 14 INSTALACIÓN

-	Dimensión/ Espacio	LRFVS3006* LRFDS3006* LRFDS3016*	LRFXS3106* LRFLS3206*	LRFVC2406* LRFXC2406* LRFXC2416* LRFDC2406*	LRFOC2606* LRFGC2706* LRFLC2706* LRFXC2606* LLFGC2706* LCFC26XS* LLFOC2606*
H	Profundidad (Total con el cajón del congelador abierto)	57 3/4" (1466 mm)	57 7/8" (1469 mm)	47 1/4" (1200 mm)	48 7/8" (1239 mm)
I	Profundidad (Total con Puerta Abierta 90°)	48 1/2" (1231 mm)	48 7/8" (1240 mm)	42 3/4" (1083 mm)	43 5/8" (1106 mm)

### Modelos sin agarraderas

-	Dimensión/Espacio	LRYKS3106* LRYXS3106* LF31S6360*	LRYKC2606* LRYXC2606* LF26C6360*
A	Profundidad sin agarrador	34 3/8" (874 mm)	29 1/8" (739 mm)
B	Ancho	35 3/4" (908 mm)	35 3/4" (908 mm)
C	Altura a la Punta de la Caja	68 7/8" (1750 mm)	68 7/8" (1750 mm)
D	Altura a la Punta de la Bisagra	70 1/4" (1785 mm)	70 1/4" (1785 mm)
E	Espacio Trasero	2" (50 mm)	2" (50 mm)
F	Profundidad sin Puerta	30 1/8" (764 mm)	24 3/4" (628 mm)
G	Profundidad con agarrador	N/A	N/A
H	Profundidad (Total con el cajón del congelador abierto)	55 3/8" (1406 mm)	48 7/8" (1239 mm)
I	Profundidad (Total con Puerta Abierta 90°)	48 7/8" (1240 mm)	43 5/8" (1106 mm)

### • 4 puertas



-	Dimensión/ Espacio	LRMDS3006* LRMVS3006* LRMXS3006* LLMXS3006*	LRMDC2306* LRMVC2306*	LF29S8250* LF30S8210* LF29S8330* LF29S8230*	LF29H8330* LF30H8210*
A	Profundidad sin agarrador	35 3/4" (908 mm)	28 7/8" (731 mm)	34 3/8" (874 mm)	34 3/8" (874 mm)
B	Ancho	35 3/4" (908 mm)	35 3/4" (908 mm)	35 3/4" (908 mm)	35 3/4" (908 mm)
C	Altura a la Punta de la Caja	69 1/8" (1753 mm)	69 1/8" (1753 mm)	68 7/8" (1750 mm)	68 7/8" (1750 mm)
D	Altura a la Punta de la Bisagra	70 1/4" (1785 mm)	70 1/4" (1785 mm)	70 1/4" (1785 mm)	70 1/4" (1785 mm)
E	Espacio Trasero	2" (50 mm)	2" (50 mm)	2" (50 mm)	2" (50 mm)
F	Profundidad sin Puerta	31" (785 mm)	24 1/8" (610 mm)	30 1/8" (764 mm)	30 1/8" (764 mm)
G	Profundidad con agarrador	38 1/8" (968 mm)	31 1/4" (793 mm)	N/A	36 7/8" (937 mm)
H	Profundidad (Total con el cajón del congelador abierto)	59 3/8" (1508 mm)	47 3/4" (1213 mm)	55 3/8" (1406 mm)	57 7/8" (1469 mm)
I	Profundidad (Total con Puerta Abierta 90°)	50 1/8" (1272 mm)	43 1/4" (1097 mm)	48 7/8" (1240 mm)	48 7/8" (1240 mm)

-	Dimensión/Espacio	LF25G8330* LF26G8210*	LF25C8330*
A	Profundidad sin agarrador	29 3/4" (756 mm)	29 3/4" (756 mm)
B	Ancho	35 3/4" (908 mm)	35 3/4" (908 mm)
C	Altura a la Punta de la Caja	68 7/8" (1750 mm)	68 7/8" (1750 mm)
D	Altura a la Punta de la Bisagra	70 1/4" (1785 mm)	70 1/4" (1785 mm)
E	Espacio Trasero	2" (50 mm)	2" (50 mm)
F	Profundidad sin Puerta	25 3/8" (646 mm)	25 3/8" (646 mm)
G	Profundidad con agarrador	32 1/4" (819 mm)	N/A
H	Profundidad (Total con el cajón del congelador abierto)	49 1/2" (1256 mm)	47" (1193 mm)
I	Profundidad (Total con Puerta Abierta 90°)	44 1/8" (1122 mm)	44 1/8" (1122 mm)

## 16 INSTALACIÓN

### Removiendo/Ensamblando Agarraderas

Estas instrucciones son para modelos que se envían con las agarraderas ensambladas. Para los modelos que se envían con las agarraderas desensambladas, siga las instrucciones que se incluyen en el paquete de la agarradera.

- Herramientas necesarias
  - Unidades que se envían con agarraderas desensambladas:  
Solo llaves Allen de 3/32" y 1/4"
  - Unidades que se envían con agarraderas ensambladas:  
Llaves Allen de 3/32", 1/8" y 1/4"

Para mover el refrigerador por una apertura angosta, se recomienda remover las puertas. Si debe remover los agarradores, tenga cuidado de no rayar las puertas.

La apariencia de los agarradores puede variar de como se muestra.

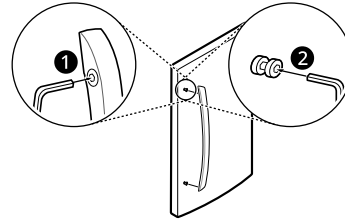
#### **⚠ PRECAUCIÓN**

- Cuando ensamble o remueva los agarradores del refrigerador, sujete el agarrador firmemente para evitar que se le caiga.
- No balancee el agarrador cerca de personas o animales cercanos.
- Asegúrese de que los tornillos de presión estén en su lugar y que la parte inferior de los agarradores en los extremos esté correctamente alineada sobre la tornillería de montaje en las puertas. Los tornillos de presión deben estar lo suficientemente flojos para permitir que la parte inferior de los agarradores se deslice sobre la tornillería de montaje de la puerta.
- Asegúrese de que no existe una brecha entre la puerta y el agarrador luego de haber ensamblado el agarrador.

### Removiendo los Agarradores del Refrigerador

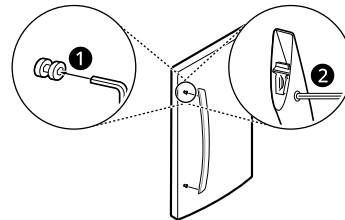
- 1** Afloje los tornillos de presión **1** con una llave Allen de 3/32 pulg. y remueva el agarrador.
- 2** Si es necesario, afloje la tornillería de montaje **2** que conecta la puerta del refrigerador y el

agarrador con una llave Allen de 1/4 pulgadas, y remueva la tornillería.



### Ensamblando los Agarradores del Refrigerador

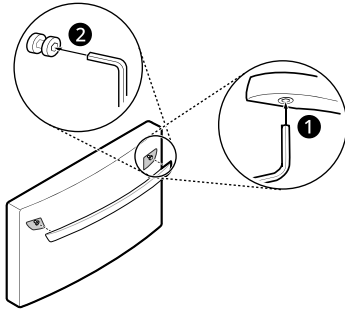
- 1** Si es necesario, vuelva a colocar la tornillería de montaje **1** en la puerta con una llave Allen de 1/4 pulgadas.
- 2** Coloque el agarrador en la puerta calzando la parte inferior del mismo con la tornillería de montaje y asegurando los tornillos de presión **2** con una llave Allen de 3/32 pulg.



### Removiendo el Agarrador del Estante del Congelador

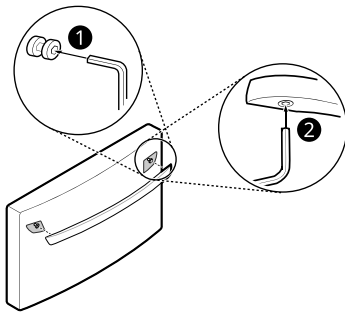
- 1** Afloje los tornillos de presión **1** ubicados en la parte inferior del agarrador con una llave Allen de 3/32 pulgadas y extráigalo.
  - Para los modelos que se envían con las agarraderas ensamblado, utilice una llave Allen de 1/8 pulg.

- 2** Afloje la tornillería de montaje **2** con una llave Allen de 1/4 pulgadas y extráigala.



### Ensamblando el Agarrador del Estante del Congelador

- 1** Ensamble la tornillería de montaje **1** en ambos extremos del agarrador con una llave Allen de 1/4 pulgadas.
- 2** Coloque el agarrador en la puerta calzando la parte inferior del mismo con la tornillería de montaje y asegurando los tornillos de presión **2** con una llave Allen de 3/32 pulg.
- Para los modelos que se envían con las agarraderas ensamblado, utilice una llave Allen de 1/8 pulg.



### Removiendo/Ensamblando Puertas y Estantes

Si la puerta de entrada es muy angosta para que el refrigerador pase, remueva las puertas del mismo y mueva el refrigerador, de costado, a través de la puerta.

#### ⚠ ADVERTENCIA

- Utilice a dos o más personas para remover e instalar las puertas y estantes del refrigerador.
- Desconecte la fuente de electricidad del refrigerador previo a instalarlo.

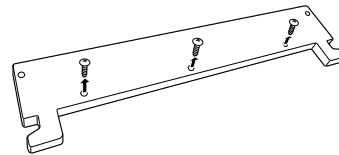
- No coloque las manos, los pies u otros objetos en la ventilación de aire ni en la parte inferior del refrigerador.
- Tenga cuidado al manejar la bisagra y la palanca.
- Remueva los alimentos y recipientes previo a desprender las puertas y los estantes.
- No sujete el agarrador al remover o reemplazar las puertas y estantes ya que este podría destrabarse.

#### Herramientas necesarias

- Destornillador Phillips
- Destornillador de cabeza plana

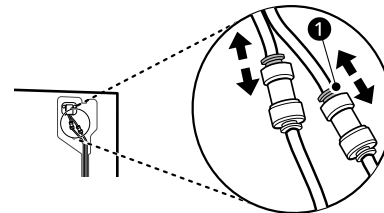
### Removiendo la cubierta de la bisagra

Remueva los tornillos de la cubierta de la bisagra en la parte superior del refrigerador. Levante el gancho (no visible), ubicado en la parte inferior del lado delantero de la cubierta con un destornillador plano.



### Removiendo la Puerta Izquierda del Refrigerador

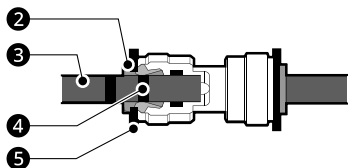
- 1** El suministro de agua está conectado a la parte superior derecha de la superficie posterior del refrigerador. Remueva el anillo del área conjunta. Sujete la conexión del suministro de agua y empuje gentilmente la pinza **1** para destrabar la línea de suministro de agua, como se muestra.



## 18 INSTALACIÓN

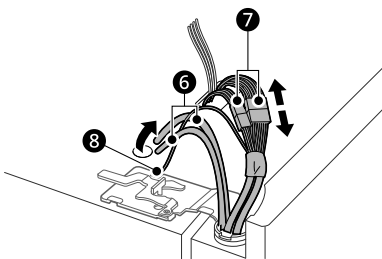
### NOTA

- Desensamblando / Ensamblando las Líneas de Agua



2 Pinza 3 Tubo 4 Inserte línea 5 Clip

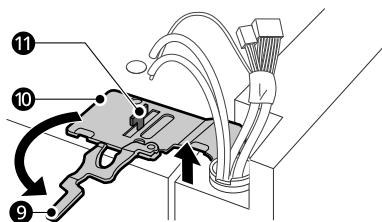
- Extraiga la línea de agua 6. Desconecte todos los arneses de cables 7. Desatornille el cable de tierra 8.



- Rote la palanca de la bisagra 9 hacia la izquierda. Libere la bisagra superior 10 del picaporte de la manija de la bisagra 11.

### ⚠ PRECAUCIÓN

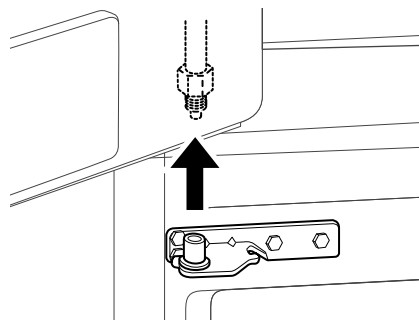
- Al liberar la bisagra del picaporte, tenga cuidado de que la puerta no se caiga hacia adelante.



- Levante la puerta del centro del perno de la bisagra y remuévala.

### ⚠ PRECAUCIÓN

- Coloque la puerta, de adentro hacia afuera, en una superficie que no la raye.

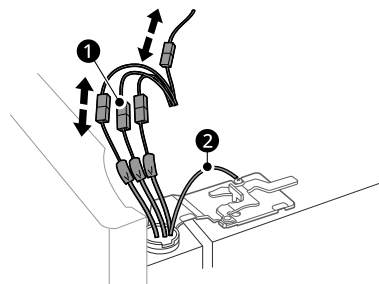


## Removiendo la Puerta Derecha del Refrigerador

- Desconecte todos los arneses de cable 1. Desatornille el cable de conexión a tierra 2.

### NOTA

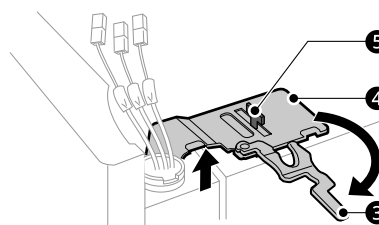
- El número de arneses de cables puede variar dependiendo del modelo.
- El cable de conexión a tierra solo está disponible en algunos modelos.



- Rote la palanca de la bisagra 3 hacia la derecha. Libere la bisagra superior 4 del picaporte de la manija de la bisagra 5.

### ⚠ PRECAUCIÓN

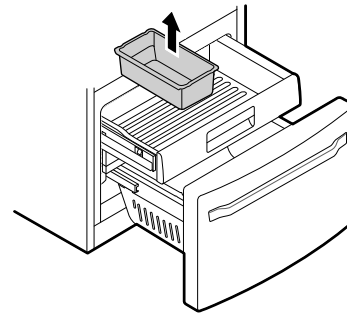
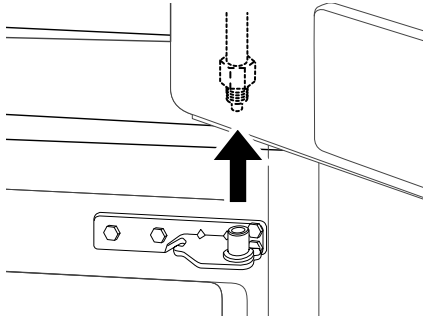
- Al liberar la bisagra del picaporte, tenga cuidado de que la puerta no se caiga hacia adelante.



- Levante la puerta del centro del perno de la bisagra y remuévala.

**⚠ PRECAUCIÓN**

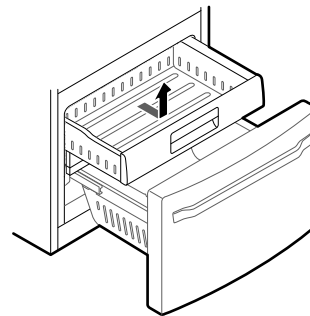
- Coloque la puerta, de adentro hacia afuera, en una superficie que no la raye.



**NOTA**

- La cantidad de recipientes de hielo puede variar dependiendo del modelo.

- Levante la parte frontal del cajón hacia arriba y retírela.



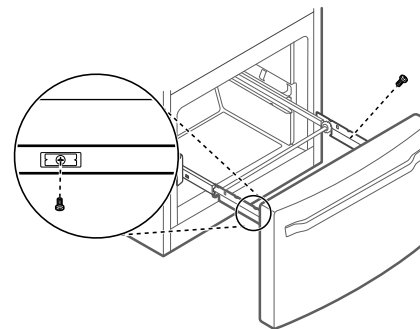
**Removiendo los Estantes del Congelador**

**⚠ ADVERTENCIA**

- Utilice a dos o más personas para remover e instalar las puertas del refrigerador y el estante del congelador.
- Sea cuidadoso de bisagras cortantes en ambos lados del estante.
- Al bajar el estante tenga cuidado de no dañar el piso.
- No se siente o pare en el estante del congelador.
- Para prevenir accidentes, mantenga a los niños y mascotas alejadas del estante. No deje el estante abierto. Si el recipiente de almacenamiento Durabase® es removido del estante del congelador, hay espacio suficiente para que un niño o mascota se introduzca en él.

- Despliegue el estante para extenderlo completamente.
- Levante y retire gentilmente los recipientes de hielo.

- Remueva los tornillos de los rieles en ambos extremos.

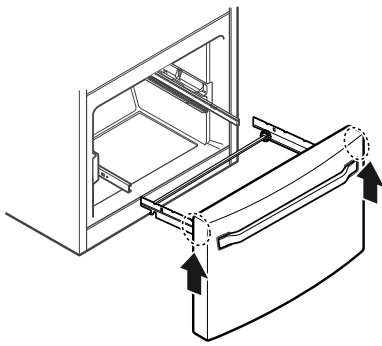


- Agarre ambos lados del estante y levántelo para removerlo de los rieles.

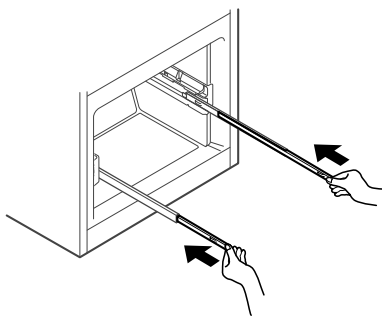
**⚠ PRECAUCIÓN**

- No sujete el agarrador mientras remueve o reemplaza el estante. El agarrador puede caerse y causar una herida personal.

## 20 INSTALACIÓN



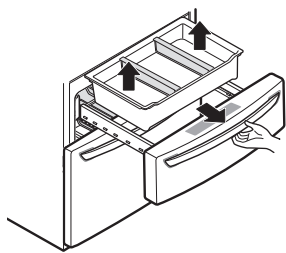
- 6 Sujete ambos rieles y empújelos dentro simultáneamente.



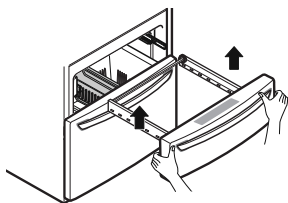
### Extracción de la bandeja Full Convert

Esta característica solamente está disponible en algunos modelos.

- 1 Abra el cajón por completo. Extraiga la canasta de las guías.



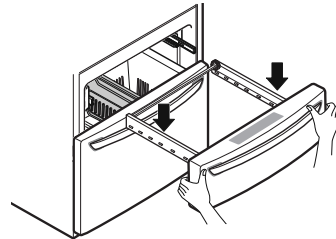
- 2 Sostenga ambos lados de la puerta y extráigala de las guías.



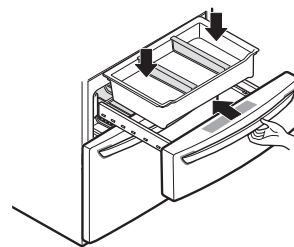
### Ensamblaje de la bandeja Full Convert

Esta característica solamente está disponible en algunos modelos.

- 1 Sujete la puerta en ambos lados y bájela para colocarla en las guías.

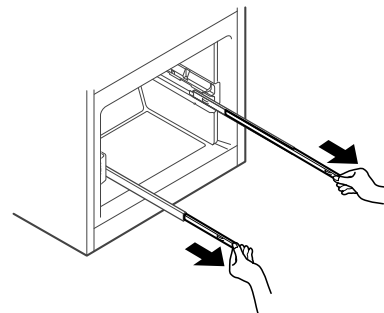


- 2 Abra el cajón por completo. Baje la canasta y colóquela en las guías.



### Ensamblando los Estantes del Congelador

- 1 Retire ambos rieles simultáneamente hasta que estos se hayan extendido completamente.

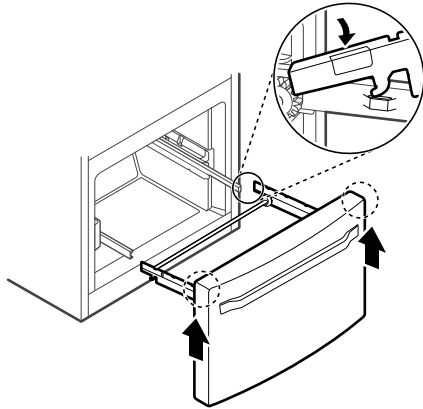




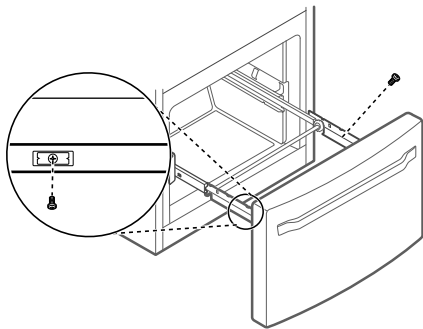
- Agarre el estante a cada lado y enganche los soportes del mismo a las pestañas ubicadas a ambos lados de los rieles.

**⚠ PRECAUCIÓN**

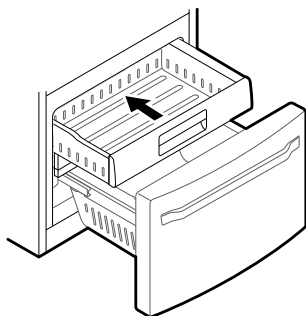
- No sujete el agarrador mientras remueve o reemplaza el estante. El agarrador puede caerse y causar una herida personal.



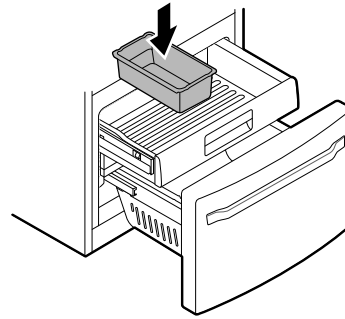
- Baje la puerta a su posición final y asegure los tornillos localizados en ambos lados.



- Inserte el estante en el marco y empújelo hacia atrás hasta que haga un clic en su lugar.



- Vuelva a colocar los recipientes de hielo en el estante. Introduzca la canasta Durabase en el montaje del riel.



**NOTA**

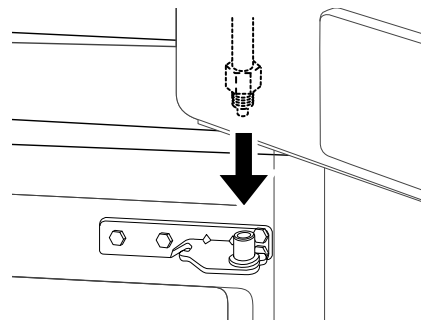
- La cantidad de recipientes de hielo puede variar dependiendo del modelo.

**Ensamblando la Puerta Derecha del Refrigerador**

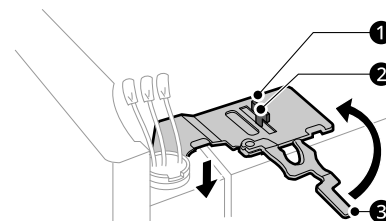
**⚠ PRECAUCIÓN**

- Instale la puerta del lado derecho primero.

- Asegúrese de que la funda de plástico esté insertada al fondo de la puerta. Baje la puerta al centro del perno de la bisagra como se muestra en la figura.

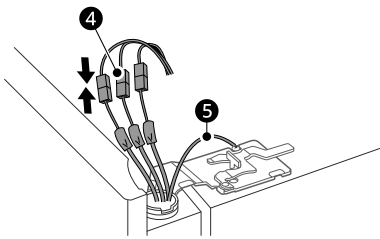


- Ajuste la bisagra ① sobre el picaporte de la manija de la bisagra ② y encájela en su lugar. Rote la manija ③ hacia la izquierda para asegurar la bisagra.



## 22 INSTALACIÓN

- 3** Conecte todos los arneses de cables **4**.  
Atornille el cable de conexión a tierra **5**.



### NOTA

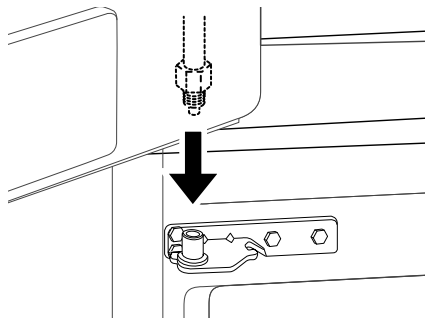
- El número de arneses de cables puede variar dependiendo del modelo.
- El cable de conexión a tierra solo está disponible en algunos modelos.

## Ensamblando la Puerta Izquierda del Refrigerador

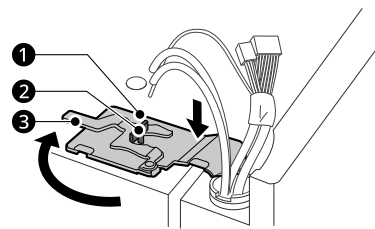
### ⚠ PRECAUCIÓN

- Instale la puerta izquierda del refrigerador luego de haber instalado la puerta derecha.

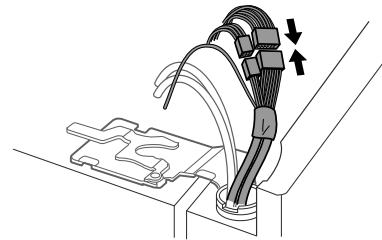
- 1** Asegúrese de que la funda de plástico esté insertada al fondo de la puerta. Instale la puerta del refrigerador en la bisagra del medio.



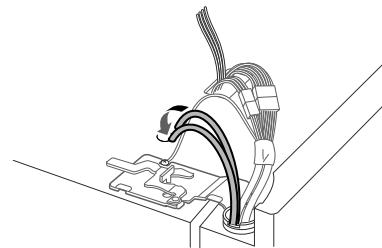
- 2** Ajuste la bisagra **1** sobre el picaporte de la manija de la bisagra **2** y encájela en su lugar. Rote la manija **3** en la dirección del reloj y asegure la bisagra.



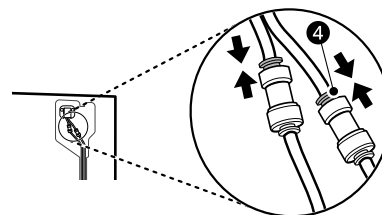
- 3** Conecte todos los arneses de cables y el cable a tierra.



- 4** Introduzca las líneas de suministro de agua en el agujero ubicado en la caja superior y tire de ellas hacia el plato trasero.

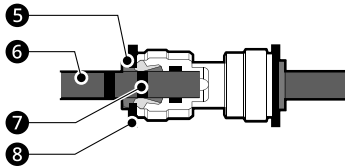


- 5** Sujete la conexión de suministro de agua y empuje gentilmente la pinza **4** para conectar las líneas de suministro de agua como se muestra. Introduzca un tubo de al menos 5/8 pulgadas (15 mm) en el conector. Introduzca el clip en el área de unión para asegurar los tubos en su lugar.



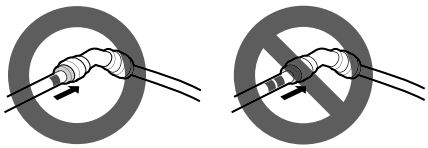
**NOTA**

- Desensamblando / Ensamblando las Líneas de Agua

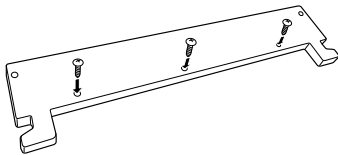


5 Pinza 6 Tubo 7 Inserte línea 8 Clip

- Presione suavemente la pinza e inserte el tubo hasta que únicamente una línea se muestre en él.

**Ensamblando la cubierta de la bisagra**

Coloque la cubierta de la bisagra en su lugar. Introduzca y apriete los tornillos de la cubierta.

**Conexión del refrigerador al suministro de agua****Antes de Iniciar**

Estas instrucciones presuponen que se dispone de una conexión de suministro de agua para el refrigerador. Si es necesario, llame a un plomero calificado para que instale una línea de suministro de agua para el refrigerador.

- Apague el dispensador de hielo (OFF) si el refrigerador será usado previo a conectar la línea de agua.
- No instale la tubería del dispensador de hielo en áreas donde la temperatura ambiente cae al punto de congelación.

**ADVERTENCIA**

- Conecte únicamente a un suministro de agua potable.

**PRECAUCIÓN**

- Para prevenir quemaduras y daños al producto, únicamente conecte la línea de agua del refrigerador a un suministro de agua fría.
- Utilice protección visual durante la instalación para prevenir heridas.

ESPAÑOL

**Presión de Agua**

Necesitará un suministro de agua fría.

**Presión de Agua**

- **Modelos con filtro de agua:**
  - 20-120 psi (138-827 kPa)
- **Donde un sistema de filtración de agua de osmosis inversa está conectado a un suministro de agua fría:**
  - Mínimo 40 - 60 psi para revertir el sistema de osmosis ( $2.8 \text{ kgf/cm}^2 - 4.2 \text{ kgf/cm}^2$ , o menos de 2 - 3 segundos para llenar una taza con capacidad de 7 oz)

Si la presión del agua del sistema de osmosis inversa es menor a 20 psi o 138 kPa o  $1.4 \text{ kgf/cm}^2$  (toma más de 4 segundos llenar una taza de 7 oz o capacidad de 198 cc)

- Revise para ver si el filtro de sedimentos en el sistema de osmosis inversa está bloqueado. Reemplace el filtro de ser necesario.
- Permita que el tanque de almacenamiento en el sistema de osmosis inversa se vuelva a llenar luego de uso intensivo.
- Si la presión del agua continúa baja, llame a un plomero calificado y con licencia.
- Todas las instalaciones deben ser de acuerdo a los requerimientos del código de plomería local.

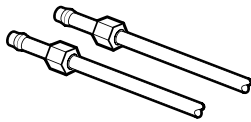
**Suministros Requeridos**

- **Cobre o Tubería PEX**,  $\frac{1}{4}$  pulgadas. diámetro externo, para conectar el refrigerador al suministro de agua. Asegúrese de que ambos extremos de la tubería sean cortados de forma recta. Para determinar cuánta tubería necesita, mida la distancia desde la válvula de agua en la parte trasera del refrigerador hasta la cañería de suministro de agua. Luego, agregue 8 pies

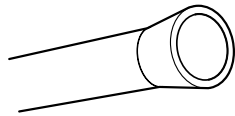
## 24 INSTALACIÓN

(2.4m). Asegúrese de que haya suficiente tubería extra (alrededor de 8 pies [2.4m] enrollados en 3 vueltas de alrededor de 10 pulgadas. [25 cm] de diámetro) para permitir movimiento al refrigerador desde la pared luego de la instalación.

- **Llave de ½ pulg. o una llave inglesa.**
- **Destornillador de hoja plana y Phillips.**
- **Dos tuercas de compresión de ¼ pulg. de diámetro externo y 2 casquillos (lengüetas)** para conectar el tubo de cobre a la válvula de cierre y a la válvula de agua del refrigerador. Si está utilizando un kit de línea de agua PEX, es probable que el tubo ya cuente con las adaptaciones necesarias en uno de sus extremos.



- Si su línea de agua de cobre existente tiene una adaptación acampanada al final, compre un adaptador (disponible en tiendas de plomería) para conectar la línea de agua al refrigerador o corte la adaptación acampanada con un cortador de tubos y luego use un accesorio de compresión.



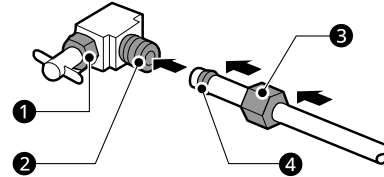
### NOTA

- La línea de montaje no puede ser tubería plástica blanca. Plomeros certificados deben usar únicamente tubería de cobre (tubería NDA #49595 o #49599) o tubería de Polietileno de Vínculo Cruzado (PEX).
- Asegúrese de que haya suficiente tubería extra (alrededor de 8 pies enrollados en 3 vueltas de alrededor de 10 pulgadas de diámetro) para permitir movimiento al refrigerador desde la pared luego de la instalación.

### Conexión de la línea de agua al refrigerador

- 1 Conecte la tubería a la válvula de cierre.
  - Coloque la tuerca de compresión y el casquillo (lengüeta) en el extremo del tubo de cobre y conéctelo a la válvula de cierre. Si usa un tubo PEX, es probable que este ya cuente con las adaptaciones necesarias en

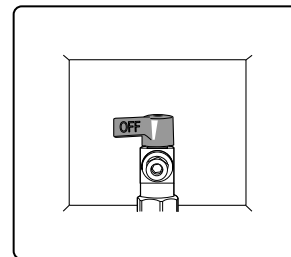
uno de sus extremos. Asegúrese de que la tubería quede completamente introducida dentro de la válvula. Apriete la tuerca de compresión de forma segura.



- 1 Tuerca Espaciadora
- 2 Válvula de cierre
- 3 Tuerca de Compresión
- 4 Casquillo (lengüeta)

### 2 Enjuague el tubo sobre una cubeta.

- Enjuague el tubo que parte del suministro de agua de la vivienda hasta que el agua salga clara. Cierre el agua en la válvula de agua cuando haya pasado alrededor de 1/4 de agua por el tubo.



### NOTA

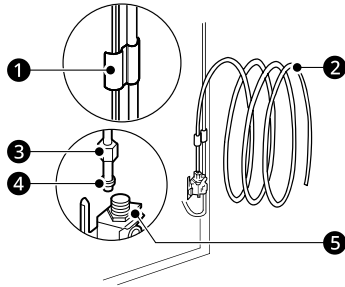
- Previo a llevar a cabo la conexión del refrigerador, asegúrese de que el cable de energía de este no esté conectado al enchufe de la pared.

### 3 Remueva el tapón plástico flexible de la válvula de agua del refrigerador.

### 4 Coloque la tuerca de compresión y el casquillo (lengüeta) en el extremo del tubo como se muestra. Si está utilizando un kit de conexión

PEX, es probable que este ya cuente con las adaptaciones necesarias.

- 5** Introduzca el extremo del tubo PEX o de cobre lo máximo posible dentro de la conexión. Mientras sujeta el tubo, apriete la adaptación.



- ① Tubo Abrazadera
- ② Tubo de 1/4 Pulgadas.
- ③ Tuerca de Compresión de 1/4 pulgadas.
- ④ Casquillo (lengüeta)
- ⑤ Conexión del Refrigerador

- 6** Abra el agua en la válvula de cierre.
- Apriete cualquier conexión que muestre fugas.

### ⚠ PRECAUCIÓN

- Compruebe si hay pérdidas en las conexiones de las líneas de agua.
- Asegúrese de que la válvula de agua principal esté completamente abierta. Si no lo está, es posible que la máquina de hielo y el dispensador no funcionen bien.

## Nivelando y Alineando la Puerta

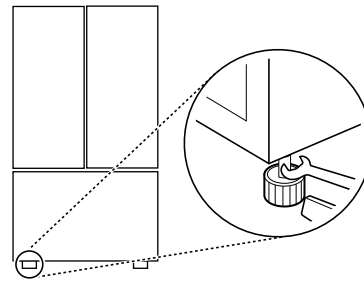
### Nivelando

El refrigerador tiene dos puertas niveladoras frontales. Ajuste las patas para alterar la inclinación de adelante hacia atrás o de un lado al otro. Si el refrigerador se ve inestable o las puertas no cierran fácilmente, ajuste la inclinación del mismo siguiendo las instrucciones a continuación:

- 1** Gire la pata de nivelación hacia la izquierda para levantar ese lado del refrigerador o hacia la derecha para bajarlo. Puede ser necesario nivelar las patas varias veces para ajustar la inclinación del refrigerador.

### NOTA

- Una llave de tuerca acampanada funciona mejor, pero una llave abierta será suficiente. No apriete demasiado.



- 2** Abra ambas puertas y verifique que cierren fácilmente. Si las puertas no cierran fácilmente, mueva un poco el refrigerador hacia atrás girando ambas patas hacia la izquierda. Puede ser necesario hacerlo varias veces, asegúrese de girar ambas patas niveladoras en la misma proporción.

### Alineamiento de la Puerta

El método de alineamiento de la puerta puede variar según el modelo.

### Refrigerador Tipo A

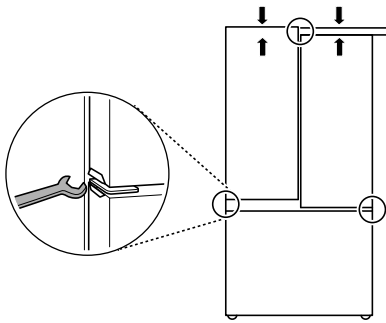
Tanto la puerta izquierda como la derecha del refrigerador tienen una tuerca ajustable en la bisagra inferior para levantarlas o bajarlas a manera de alinearlas apropiadamente.

Si el espacio entre las puertas es desigual incluso después de llenar los contenedores de las puertas, siga las instrucciones a continuación para alinear las puertas de manera pareja:

Use la llave (Incluida con el manual del usuario) para girar la tuerca en la bisagra de la puerta y así ajustar su altura. Gire la tuerca hacia la derecha

## 26 INSTALACIÓN

para levantar la puerta o hacia la izquierda para bajarla.



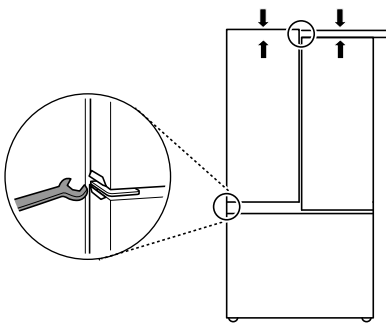
### Refrigerador Tipo B

#### Puerta izquierda del refrigerador

La puerta izquierda del refrigerador tiene una tuerca ajustable en la bisagra inferior para levantarla o bajarla a manera de alinearlas apropiadamente.

Si el espacio entre las puertas es desigual, siga las instrucciones a continuación para alinear la puerta izquierda:

Use la llave (Incluida con el manual del usuario) para girar la tuerca en la bisagra de la puerta y así ajustar su altura. Gire la tuerca hacia la derecha para levantar la puerta o hacia la izquierda para bajarla.



#### Puerta derecha del refrigerador

La puerta derecha del refrigerador no tiene una tuerca ajustable.

Si el espacio entre las puertas es desigual, siga las instrucciones a continuación para alinear la puerta derecha:

- 1 Levante tanto la sección interior como la sección exterior de la puerta derecha para elevarlas en la bisagra del medio. (Puede ser más fácil levantarlas con las puertas abiertas).

- 2 Mientras la puerta está levantada, otra persona debe insertar el anillo rápido en la bisagra del medio. El anillo rápido puede variar según el modelo.

- Anillo rápido tipo A



Use una pinza para insertar el anillo rápido en la bisagra del medio de la sección interior de la puerta como se muestra. Inserte anillos rápidos adicionales hasta que la puerta derecha quede alineada.

- Anillo rápido tipo B

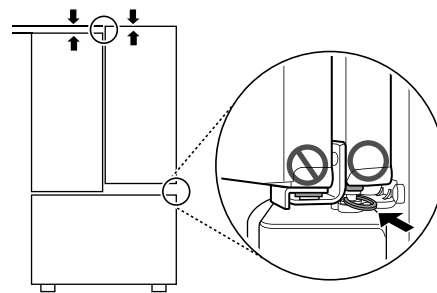


Inserte un solo anillo rápido en la bisagra del medio de la sección interior de la puerta como se muestra.

- Si ya hay un anillo rápido insertado en la bisagra del medio, remueva ese anillo rápido antes de insertar uno nuevo.

### ⚠ PRECAUCIÓN

- La puerta es pesada. Para evitar lesiones, use dos o más personas para levantar y alinear la puerta del refrigerador.
- Las piezas pequeñas representan un peligro de ser tragadas por los niños pequeños. Mantenga los anillos rápidos fuera del alcance de los niños.
- No inserte el anillo rápido en la bisagra de la sección exterior de la puerta.



### NOTA

- El número de cajones del congelador puede variar dependiendo del modelo.

## Encendido

- Luego de la instalación, conecte el cable de corriente a un enchufe con conexión a tierra de tres espigas y empuje el refrigerador a su posición final.

### **⚠ PRECAUCIÓN**

- Conecte a un enchufe de potencia nominal.
- Haga que un técnico certificado verifique que el tomacorriente de pared y los cables estén adecuadamente conectados a tierra.
- No dañe o corte la terminal de tierra del enchufe de poder.

## Posicione el Refrigerador

- Si el refrigerador está conectado al agua, arregle la bobina de tubería para que esta no vibre contra la parte trasera del refrigerador o contra la pared. Empuje el refrigerador hacia la pared, dejando un suficiente espacio libre.

## Inicie el Máquina de Hielo Automática

- Si la tubería de agua está conectada, encienda la máquina de hielo.
  - Para encender la máquina de hielo, configure el interruptor de la máquina de hielo en la posición ENCENDIDO o consulte el **Panel de control** en la sección de **Operación**.
- La máquina de hielo no empezará a funcionar hasta que alcance su temperatura de operación de 15 °F (-9 °C) o menos. Luego, empezará a funcionar automáticamente si se ha encendido la máquina de hielo.

# FUNCIONAMIENTO

## Manual en línea del Propietario

### Información Adicional de Funcionamiento

Se puede encontrar el manual del propietario completo ingresando en el sitio web de LG: <http://gscs-manual.lge.com/Total/HQ/GatewayPage/main.html?product=Refrigerator&ptype=FDR> o escaneando el código QR.



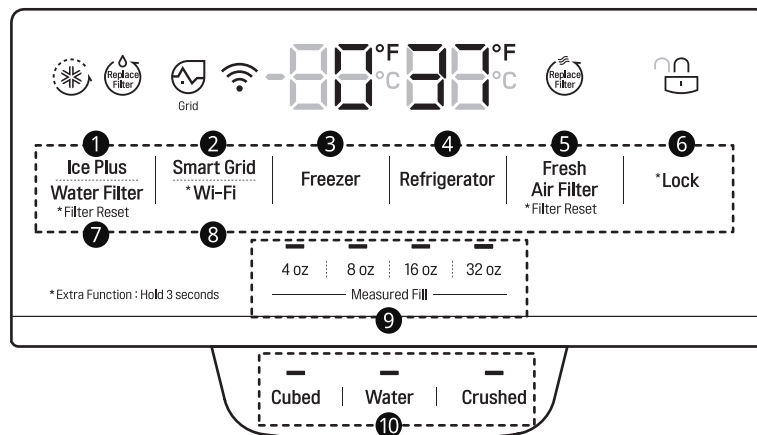
## Panel de control

Según el modelo, es posible que algunas de las siguientes funciones no estén disponibles. El panel de control real podría variar entre modelo y modelo.

### Funciones del panel de control

† Esta característica solamente está disponible en algunos modelos.

### Panel de control exterior



#### 1 Ice Plus

Esta función incrementa tanto la producción de hielo como la capacidad de congelamiento. Presione el botón **Ice Plus** para iluminar el ícono y activar la función por 24 horas. La función se desactiva automáticamente después de 24 horas. Desactive la función manualmente presionando el botón una vez más.

#### 2 Smart Grid

Presione el botón **Smart Grid** para Encender/Apagar la función. Cuando la función está activada, el ícono se ilumina. La función se activa automáticamente cuando el refrigerador está conectado a la red Wi-Fi.



Cuando el refrigerador está respondiendo a un mensaje de Demanda de Respuesta (DR) de la compañía eléctrica, el texto de la Red se ilumina.

### 3 Freezer

Indica la temperatura del compartimento del congelador configurada en Celsius (°C) o Fahrenheit (°F). La temperatura predeterminada del congelador es de 0 °F (-18 °C). Presione repetidamente el botón **Freezer** para seleccionar una nueva temperatura de -7 °F a 5 °F (-23 °C a -15 °C).

### 4 Refrigerator

Indica la temperatura del compartimento del refrigerador configurada en Celsius (°C) o Fahrenheit (°F). La temperatura predeterminada del refrigerador es de 37 °F (3 °C). Presione repetidamente el botón **Refrigerator** para seleccionar una nueva temperatura de 33 °F a 43 °F (1 °C a 7 °C).

#### NOTA

- Para cambiar el modo de temperatura de °F a °C (o viceversa) mantenga presionados los botones **Refrigerator** y **Freezer** simultáneamente por aproximadamente cinco segundos. El indicador de temperatura de la ventana de visualización cambia entre Celsius and Fahrenheit.
- La temperatura mostrada es la temperatura objetivo y no la temperatura actual del refrigerador. La temperatura actual del refrigerador depende de los alimentos dentro de él.

### 5 Fresh Air Filter


El Filtro de Aire ayuda a eliminar los olores del refrigerador.

#### NOTA


- Reemplace el filtro de aire cuando el ícono  se encienda. Luego de reemplazar el filtro de aire, mantenga presionado el botón **Fresh Air Filter** por tres segundos para apagar la luz del ícono. Reemplace el filtro de aire aproximadamente cada seis meses.

### 6 Lock

La función de bloqueo deshabilita todos los demás botones en la pantalla.


- Cuando la energía es inicialmente conectada al refrigerador, la función de bloqueo está desactivada.
- Para bloquear los botones del panel de control, mantenga presionado el botón **Lock** hasta que se muestre el ícono  en la pantalla y la función sea activada.
- Para deshabilitar la función, mantenga presionado el botón **Lock** por aproximadamente tres segundos.

### 7 Water Filter

Reemplace el filtro de agua cuando el ícono  se encienda. Luego de reemplazar el filtro de agua, mantenga presionado el botón **Water Filter** por tres segundos para apagar la luz del ícono. Reemplace el filtro de agua aproximadamente cada seis meses.

### 8 Wi-Fi

El botón Wi-Fi, al ser utilizado con la aplicación **LG ThinQ**, le permite al refrigerador conectarse a una red Wi-Fi doméstica. Vea Smart Functions para obtener más información acerca de la configuración inicial de la aplicación.

El ícono  muestra el estado de la conexión de red del refrigerador. El ícono se ilumina cuando el refrigerador está conectado a la red Wi-Fi.

Presione y mantenga presionado el botón **Wi-Fi** por 3 segundos para conectar a la red. El ícono parpadea mientras la conexión está en proceso, luego se enciende cuando se ha logrado exitosamente.

## 30 FUNCIONAMIENTO

### 9 Measured Fill

La función de llenado medido dispensa cantidades de agua medidas previamente de forma automática.

### 10 Tipo de agua y hielo

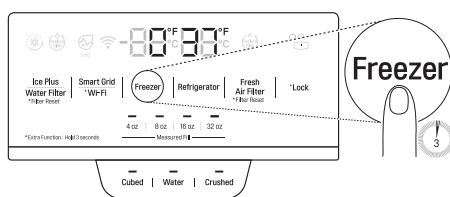
Seleccione el modo de dispensador deseado de los botones del panel de control del dispensador. Presione la llave del dispensador con un vaso u otro recipiente para dispensar cubos de hielo, agua o hielo triturado.

## Cómo cambiar el Modo Craft Ice

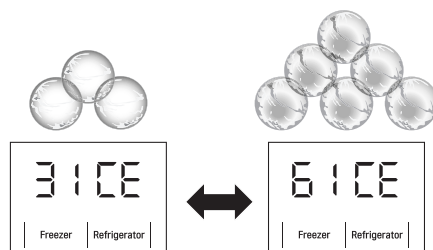
### NOTA

- Esta característica solamente está disponible en algunos modelos.
- El botón **Freezer** también puede utilizarse para configurar el modo **Craft Ice** a **3 ICE** o **6 ICE**.

- 1 Presione cualquier botón del panel de control para activarlo.
- 2 Mantenga pulsado el botón **Freezer** durante 3 segundos hasta que el panel de control emita un pitido y aparezca el modo de hielo actual.



- 3 Presione el botón **Freezer** repetidas veces para pasar entre los modos **3 ICE** y **6 ICE**. Después de 5 segundos de tiempo de inactividad, se guardará el último modo configurado y la pantalla volverá a la normalidad.



### NOTA

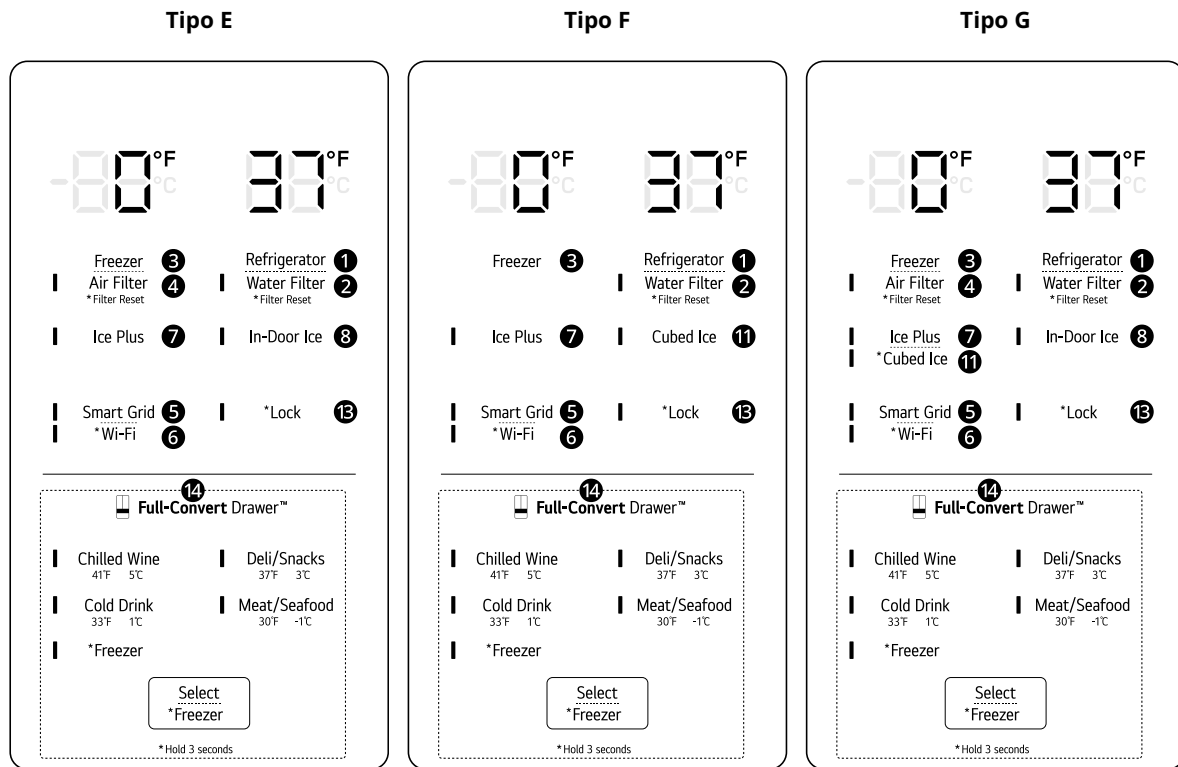
- Para obtener más hielo, seleccione el modo **6 ICE**. Para un hielo más claro, seleccione el modo **3 ICE**.

## Panel de control interior

- Panel de control del refrigerador

Tipo A	Tipo B	Tipo C	Tipo D
Refrigerator ①	Refrigerator ①	Refrigerator ①	Refrigerator ①
Water Filter ② * Filter Reset	Water Filter ② * Filter Reset	Water Filter ② * Filter Reset	Water Filter ② * Filter Reset
Freezer ③	Freezer ③	Freezer ③	Freezer ③
Air Filter ④ * Filter Reset	Air Filter ④ * Filter Reset	Air Filter ④ * Filter Reset	Air Filter ④ * Filter Reset
Smart Grid ⑤	Smart Grid ⑤	Smart Grid ⑤	Smart Grid ⑤
* Wi-Fi ⑥	* Wi-Fi ⑥	* Wi-Fi ⑥	* Wi-Fi ⑥
Ice Plus ⑦	Ice Plus ⑦	Ice Plus ⑦	Ice Plus ⑦
* In-Door Ice ⑧	* In-Door Ice ⑧		* In-Door Ice ⑧
Craft Ice ⑨			
* Mini Cubed Ice ⑩	Cubed Ice ⑪	Cubed Ice ⑪	
Self Care ⑫			
* Lock ⑬	* Lock ⑬	* Lock ⑬	* Lock ⑬
* Hold 3 seconds	* Hold 3 seconds	* Hold 3 seconds	* Hold 3 seconds

## 32 FUNCIONAMIENTO



### 1 Refrigerator

Indica la temperatura del compartimento del refrigerador configurada en Celsius (°C) o Fahrenheit (°F). La temperatura predeterminada del refrigerador es de 37 °F (3 °C). Presione repetidamente el botón **Refrigerator** para seleccionar una nueva temperatura de 33 °F a 43 °F (1 °C a 7 °C).

### NOTA

- Para cambiar el modo de temperatura de °F a °C (o viceversa) mantenga presionados los botones **Refrigerator** y **Freezer** simultáneamente por aproximadamente cinco segundos. El indicador de temperatura de la ventana de visualización cambia entre Celsius and Fahrenheit.
- La temperatura mostrada es la temperatura objetivo y no la temperatura actual del refrigerador. La temperatura actual del refrigerador depende de los alimentos dentro de él.

### 2 Water Filter

Reemplace el filtro de agua cuando el ícono Replace Filter (Reemplazar filtro) se encienda. Luego de reemplazar el filtro de agua, mantenga presionado el botón **Water Filter** (Filtro de agua) por tres segundos para apagar la luz del ícono. Reemplace el filtro de agua aproximadamente cada seis meses.

### 3 Freezer

Indica la temperatura del compartimento del congelador configurada en Celsius (°C) o Fahrenheit (°F). La temperatura predeterminada del congelador es de 0 °F (-18 °C). Presione repetidamente el botón **Freezer** para seleccionar una nueva temperatura de -7 °F a 5 °F (-23 °C a -15 °C).

### 4 Air Filter

El filtro de aire ayuda a eliminar los olores del refrigerador.

**NOTA**

- Reemplace el filtro de aire cuando se encienda el indicador del filtro de aire. Luego de reemplazar el filtro de aire, mantenga presionado el botón **Air Filter** por 3 segundos para apagar el indicador. Reemplace el filtro de aire cada seis meses aproximadamente.

**5 Smart Grid**

Presione el botón **Smart Grid** para Encender/Apagar la función. Cuando la función está activada, el indicador se ilumina. La función se activa automáticamente cuando el refrigerador está conectado a la red Wi-Fi. La función Smart Grid solo está disponible si su compañía de servicio eléctrico admite la función.

Cuando el refrigerador está respondiendo a un mensaje de Demanda de Respuesta (DR) de la compañía eléctrica, el indicador se ilumina.

**6 Wi-Fi**

El botón Wi-Fi, al ser utilizado con la aplicación **LG ThinQ**, le permite al refrigerador conectarse a una red Wi-Fi doméstica. Vea Funciones inteligentes para obtener más información acerca de la configuración inicial de la aplicación.

El indicador Wi-Fi muestra el estado de la conexión de red del refrigerador. El indicador se ilumina cuando el refrigerador está conectado a la red Wi-Fi.

Mantenga presionado el botón **Wi-Fi** por 3 segundos para conectar a la red. El indicador parpadea mientras la conexión está en proceso y luego se enciende cuando se ha logrado exitosamente.

**7 Ice Plus<sup>†</sup>**

Esta función incrementa tanto la producción de hielo como la capacidad de congelamiento.

- Presione el botón **Ice Plus** para iluminar el indicador y activar la función por 24 horas. La función se desactiva automáticamente después de 24 horas.
- Detenga la función manualmente presionando el botón una vez más.

**8 In-Door Ice<sup>†</sup>**

Mantenga presionado el botón **In-Door Ice** (Hielo encendido/apagado) por tres segundos para encender/apagar la máquina de hielo interior.

**9 Craft Ice<sup>†</sup>**

Presione el botón **Craft Ice** repetidamente para seleccionar entre los modos **3 ICE**, **6 ICE** (Hielo) y **OFF** (Apagado).

Después de 5 segundos de tiempo de inactividad, se guardará el último modo y la pantalla volverá a la normalidad.

- Para apagar la máquina de hielo **Craft Ice**, seleccione el modo **OFF** (Apagado).
- Para encender la máquina de hielo **Craft Ice**, seleccione el modo **3 ICE** o **6 ICE**.

**NOTA**

- Para obtener más hielo, seleccione el modo **6 ICE**. Para un hielo más claro, seleccione el modo **3 ICE**.

**10 Mini Cubed Ice<sup>†</sup>**

Mantenga presionado el botón **Mini Cubed Ice** por tres segundos para encender/apagar el **Mini Cubed Ice** de la máquina de hielo.

**11 Cubed Ice<sup>†</sup>**

Presione el botón **Cubed Ice** para encender/apagar la máquina de hielo **Cubed Ice**.

## 34 FUNCIONAMIENTO

### 12 Self Care<sup>†</sup>

La luz UV se utiliza para mantener la salida de agua limpia. La función de limpieza UV se ejecuta automáticamente durante 10 minutos una vez por hora o puede activarse manualmente en cualquier momento.

Mantenga presionado este botón durante 3 segundos para activarla manualmente.

### NOTA

- Durante el funcionamiento, la función se detiene si el botón **Water** (Agua) está pulsado. Se reanuda automáticamente después de 1 hora.
- La función se ejecuta automáticamente durante 10 minutos una vez por hora sin necesidad de que pulse el botón **Self Care**.
- UVnano es una palabra compuesta derivada de las palabras UV y su unidad, un nanómetro.

### 13 Lock

La función de bloqueo deshabilita todos los demás botones en la pantalla.

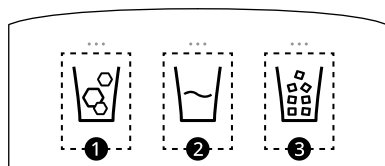
- Cuando la energía es inicialmente conectada al refrigerador, la función de bloqueo está desactivada.
- Para bloquear los botones del panel de control, mantenga presionado el botón **Lock** hasta que se ilumine el indicador y se desactive la función.
- Para deshabilitar la función, mantenga presionado el botón **Lock** por aproximadamente tres segundos.

### 14 Full-Convert Drawer<sup>TM</sup>

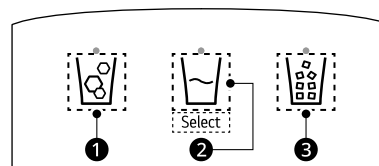
Ajuste la temperatura del cajón convertible a más frío o más caliente que el refrigerador. Consulte **Full-Convert Drawer<sup>TM</sup>** en la sección Funcionamiento.

- Panel de control del dispensador

Tipo A



Tipo B



#### Tipo A

- Seleccione el modo de dispensador deseado de los botones del panel de control del dispensador. De izquierda a derecha, los íconos indican cubos de hielo ①, agua ② y hielo triturado ③. Presione la llave del dispensador con un vaso u otro recipiente para dispensar cubos de hielo, agua o hielo triturado.

#### Tipo B

- Presione el botón **Select** del panel de control del dispensador repetidamente para seleccionar el modo de dispensador deseado. De izquierda a derecha, los íconos indican cubos de hielo ①, agua ② y hielo triturado ③. Presione la llave del dispensador con un vaso u otro recipiente para dispensar cubos de hielo, agua o hielo triturado.

### NOTA

- Cuando el refrigerador está en Modo de Ahorro de Energía (Power Saving Mode), la pantalla permanecerá apagada hasta que se abra una puerta o se presione un botón. Una vez hecho, la pantalla se mantendrá encendida por 20 segundos.

**NOTA****Modo de Exhibición y Modo de Exhibición InstaView (Únicamente Para Uso de Tiendas)**

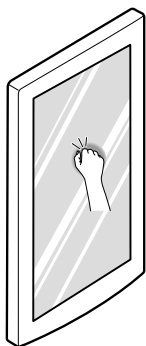
- El **Modo de Visualización** deshabilita toda refrigeración en las secciones del refrigerador y congelador para conservar energía mientras se exhibe en una tienda minorista. Cuando se activa, se muestra apagado (OFF) en el panel de control y la pantalla permanece encendida por 20 segundos.
  - Para activar/desactivar el Modo de Exhibición:  
Abra cualquier puerta del refrigerador. Presione el botón **Ice Plus** 3 veces mientras presiona el botón **Refrigerator**. El panel de control emite un pitido y la configuración de la temperatura muestra la confirmación de que el Modo de Exhibición está desactivado. Use el mismo procedimiento para activar el Modo de Exhibición.
- El **modo de Exhibición InstaView** enciende y apaga automáticamente la luz LED dentro del InstaView Door-in-Door (Puerta en Puerta) en ciclos de 10 segundos de encendido y 2 minutos 50 segundos de apagado.
  - Para activar el Modo de Exhibición InstaView:  
Active el Modo de Exhibición primero. Luego abra todas las puertas del refrigerador y del congelador y, en 5 segundos, golpee 3 veces el vidrio de la puerta.
  - Para desactivar el Modo de Exhibición InstaView:  
Abra todas las puertas del refrigerador y del congelador y, en 5 segundos, golpee 3 veces el vidrio de la puerta. El refrigerador se encuentra ahora en Modo de Exhibición.
- Para desactivar el modo de Exhibición y el modo de Exhibición InstaView a la vez:  
Abra cualquiera de las puertas del refrigerador. Presione el botón **Ice Plus** 3 veces mientras mantiene presionado el botón **Refrigerator**.

**InstaView**

Esta característica solamente está disponible en algunos modelos.

**InstaView Door-in-Door (Puerta-en-Puerta)**

Presione la pantalla dos veces para encender o apagar la luz LED del interior de InstaView. La luz LED se apaga automáticamente después de 10 segundos.

**NOTA**

- La luz LED no se enciende si la puerta derecha del refrigerador está abierta.

- La función **InstaView** no se activará durante dos segundos después de cerrar la puerta.
- La función **InstaView** está deshabilitada cuando el dispensador de hielo está en uso.

**Modo Sabbath**

Esta característica solamente está disponible en algunos modelos.

**Modo Sabbath**

El modo Sabbath es utilizado en el Sabbat y las festividades judías.

- Para activar el modo Sabbath, presione la pantalla para encenderla, luego mantenga presionados los botones **Freezer** y **Wi-Fi** por 3 segundos hasta que aparezca 5b en la pantalla.
- Para desactivar el modo Sabbath de forma manual, mantenga presionados los botones **Freezer** y **Wi-Fi** por 3 segundos.

**NOTA**

- El modo Sabbath se desactiva automáticamente después de 96 horas.

## 36 FUNCIONAMIENTO

### NOTA

- Una vez encendido, el modo Sabbath se mantendrá activo incluso si ocurre un apagón.
- Al seleccionar el modo Sabbath, las funciones de alarma se desactivan automáticamente.
- El dispensador y el InstaView están deshabilitados en el modo Sabbath, en los modelos aplicables.

## Dispensador de Hielo y Agua

### Antes de usar el dispensador de agua y hielo

#### ⚠ PRECAUCIÓN

- Mantenga a los niños alejados del dispensador. Pueden jugar o dañar los controles.
- Deseche el contenido del primer contenedor de hielo producido luego de la instalación (unos 140-160 cubos). Las primeras tandas de agua y de hielo dispensados pueden tener partículas u olor provenientes de la línea de suministro de agua o del tanque de agua. Esto también debe hacerse si el refrigerador estuvo sin usarse por mucho tiempo.
- Dispense y deseche 2.5 galones de agua (deje correr por aproximadamente 5 minutos) después de la instalación. No dispense los 2.5 galones todos de una vez. Presione y suelte el botón del dispensador en ciclos de 30 segundos ENCENDIDO y 60 segundos APAGADO. Esto también debe hacerse si el refrigerador estuvo sin usarse por mucho tiempo.
- Si inesperadamente se dispensa hielo o agua, apague el suministro de agua y contacte al Centro de Información al Cliente LG Electronic.
- Nunca use un vaso que sea excepcionalmente puntiagudo o filoso. El hielo puede atascarse en el paso de hielo y el desempeño del refrigerador puede verse afectado.
- Al retirar hielo del dispensador, no use un contenedor frágil.
- No cuelgue ni coloque objetos pesados en el dispensador del electrodoméstico.

### NOTA

- El dispensador no funcionará cuando alguna de las puertas esté abierta.

- Si hielo decolorado está siendo dispensado, verifique el filtro y el suministro de agua. Si el problema continúa, contacte al Centro de Información al Cliente LG Electronics. No utilice agua o hielo hasta que el problema sea corregido.
- Dispense hielo dentro de un vaso previo a llenarlo con agua u otra bebida. Pueden ocurrir salpicaduras si el hielo es dispensado dentro de un vaso que ya contiene líquido.
- Algo de goteado puede ocurrir luego de dispensar. Sostenga la taza debajo del dispensador por algunos segundos luego de dispensar para que esta recoja todas las gotas.
- Mantenga los contenedores a una distancia apropiada de los dispensadores. Los vasos altos y estrechos deben ser sostenidos a una distancia prudente de la salida de hielo para prevenir que el hielo se atasque en la bandeja de drenaje. Un contenedor con una apertura muy pequeña debe ser sostenido lo más cerca posible del dispensador para evitar derrames.

## Máquina de Hielo Automática

#### ⚠ ADVERTENCIA

- NO introduzca los dedos en el mecanismo de fabricación automática de hielo con el refrigerador enchufado.
- Evite el contacto con las partes móviles del mecanismo eyector o con el elemento de calor que dispensa los cubos de hielo.

### Antes de utilizar la máquina de hielo interior

#### NOTA

- El hielo es producido en la máquina de hielo automática interior y enviado al dispensador. La máquina de hielo produce de 70 a 182 cubos en un periodo de 24 horas, dependiendo de la temperatura del compartimiento del congelador, temperatura ambiente, la cantidad de veces que se abre la puerta y otras condiciones de operación.
- Toma alrededor de 12 a 24 horas para que un refrigerador recién instalado empiece a producir hielo.
- La producción de hielo se detiene cuando el contenedor de hielo interior está lleno. Estando



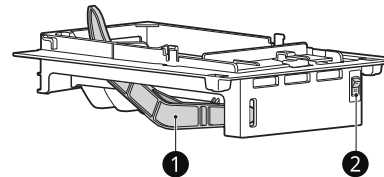
lleno, el contenedor de hielo interior contiene aproximadamente de 6 a 8 (12-16 oz) vasos de hielo.

- Las sustancias desconocidas o escarcha en la desconexión automática (brazo sensitivo) pueden interrumpir la producción de hielo. Asegúrese de que el área de la desconexión automática (brazo sensitivo) esté limpia todo el tiempo para que opere apropiadamente.
- Para incrementar la producción de hielo, use la función **Ice Plus**. Esta función incrementa tanto la producción de hielo como la capacidad de congelamiento.

- Si se produce un apagón, deseche el hielo almacenado en el recipiente de hielo.

## Máquina de hielo del congelador (cubos de hielo)

Esta característica solamente está disponible en algunos modelos.

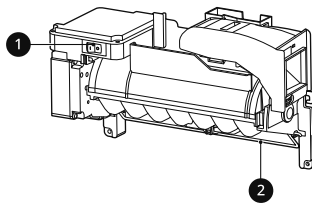


- ① Brazo Sensitivo
- ② Interruptor de encendido (algunos modelos)

### NOTA

- Esta máquina de hielo automática del congelador produce 12 cubos a la vez, 50-110 cubos en un periodo de 24 horas si las condiciones son favorables. Esta cantidad podría variar de acuerdo al ambiente (temperatura ambiente alrededor del electrodoméstico, frecuencia con la que se abre la puerta, cantidad de alimentos almacenados en el electrodoméstico, etc.).
- Los cubos de hielo que se almacenen en el recipiente por un largo periodo de tiempo podrían amontonarse y esto le podría dar dificultades al separarlos. Si esto sucede, vacíe completamente el recipiente de hielo y límpielo antes de re-lugarlo.

## Máquina de Hielo Interior



- ① Interruptor de encendido (algunos modelos)
- ② Desconexión automática (brazo sensitivo)

## Antes de utilizar la máquina de hielo del congelador.

Esta característica solamente está disponible en algunos modelos.

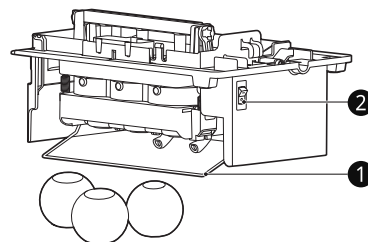
Esta característica puede variar según el modelo adquirido.

### NOTA

- Deseche el contenido del primer contenedor de hielo producido luego de la instalación. Esto también es necesario si el refrigerador no se ha usado por un largo tiempo.
- La máquina de hielo comienza a producir hielo aproximadamente 48 horas después de la instalación inicial del electrodoméstico.
- Es normal escuchar el sonido del hielo cayendo en el recipiente.
- Si el recipiente de hielo está completamente lleno, la producción de hielo se detendrá.
- La cantidad y la forma del hielo podrían variar de acuerdo con el ambiente (temperatura ambiente alrededor del electrodoméstico, frecuencia con la que se abre la puerta, cantidad de alimentos almacenados en el electrodoméstico, presión del agua, etc.).

## Máquina de hielo del congelador (Craft Ice™)

Esta característica solamente está disponible en algunos modelos.



- ① Brazo Sensitivo
- ② Interruptor de encendido (algunos modelos)

## 38 FUNCIONAMIENTO

### ⚠ PRECAUCIÓN

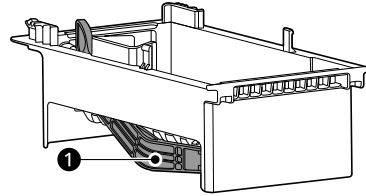
- No coloque hielo cilíndrico en el contenedor de hielo interior porque se puede dañar el dispensador de hielo y agua.

### NOTA

- La máquina de hielo comienza a producir hielo aproximadamente 48 horas después de la instalación inicial del electrodoméstico. Es posible que en las primeras series de hielo, este no sea cilíndrico ni transparente.
- Luego de la instalación o el reemplazo del filtro de agua, las primeras series de hielo pueden ser semicirculares o contener burbujas de aire.
- Si la presión del agua es menor a 20 psi (138 kPa) o se utiliza un sistema de osmosis inverso, puede variar la forma del hielo.
- El hielo puede lucir turbio según la calidad del agua en la ubicación de la instalación y de las condiciones de funcionamiento.
- Deseche todos los fragmentos de hielo que pueda encontrar en el recipiente de hielo porque se pueden adherir al hielo allí almacenado.
- Después de un breve apagón, se tardará más en hacer la primera serie de hielo y es posible que no sea cilíndrico. Si se corta la energía por un período de tiempo más largo, deseche el hielo almacenado en el recipiente.
- La máquina de hielo **Craft Ice** produce 1 serie de hielo cilíndrico (3 piezas) a la vez.
- En el modo **3 ICE**, la máquina de hielo **Craft Ice** produce 1 serie de hielo cilíndrico (3 piezas) cada 24 horas. En el modo **6 ICE** la máquina de hielo **Craft Ice** produce 2 series de hielo cilíndrico (6 piezas) en el mismo período.
- Para obtener más hielo, seleccione el modo **6 ICE**. Para un hielo más claro, seleccione el modo **3 ICE**.
- El tiempo necesario para la elaboración del hielo puede variar según las condiciones de funcionamiento.
- El recipiente de hielo almacena de 20 a 30 piezas de hielo cilíndrico.

### Máquina de hielo del congelador (cubos de hielo pequeños)

Esta característica solamente está disponible en algunos modelos.



- ① Brazo Sensitivo

### ⚠ PRECAUCIÓN

- No coloque **Mini Cubed Ice** en el recipiente de hielo interior porque se puede dañar el dispensador de hielo y agua.

### NOTA

- Esta máquina de hielo automática del congelador produce entre 20 y 30 cubos a la vez, 1.3-1.7 cubos en un periodo de 24 horas si las condiciones son favorables. Esta cantidad podría variar de acuerdo con el ambiente (temperatura ambiente alrededor del electrodoméstico, frecuencia con la que se abre la puerta, cantidad de alimentos almacenados en el electrodoméstico, etc.).
- Los cubos de hielo que se almacenen en el recipiente por un largo periodo de tiempo podrían amontonarse y esto le podría dar dificultades al separarlos. Si esto sucede, vacíe completamente el recipiente de hielo y límpielo antes de re-lugarlo.
- Según la presión del agua u otras condiciones, la máquina de hielo puede producir cubos pegados en lugar de piezas individuales. Los cubos se separan fácilmente cuando se agregan a las bebidas.

### Encendido y apagado del dispensador de hielo

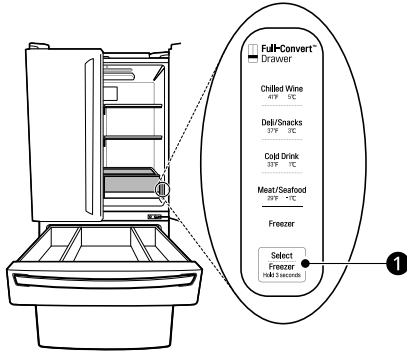
Para encender/apagar la máquina de hielo automática, ajuste el interruptor de la máquina de hielo a la posición ON ( | ) o OFF ( O ).

## Bandeja Full Convert™

Esta característica solamente está disponible en algunos modelos.

### Uso del cajón Full-Convert

El cajón Full-Convert ofrece lugar de almacenamiento con un control de temperatura variable que se puede ajustar para mantener el compartimento más frío o más cálido que el refrigerador. El panel de control del cajón se encuentra en la pared derecha del interior del refrigerador.



### Modo refrigerador

Para el uso del cajón convertible como refrigerador, presione el botón **Select/Freezer** ❶ repetidamente para seleccionar las cuatro configuraciones de temperatura. Almacene carne y mariscos a 29 °F (-1 °C), bebidas frías a 33 °F (1 °C), fiambres y refrigerios a 37 °F (3 °C) y vinos fríos a 41 °F (5 °C).

### ⚠ PRECAUCIÓN

- Almacene los vegetales y las frutas en los cajones de verduras.
- Si almacena carne o pescado durante más de unos días, hágalo en el congelador.

### Modo congelador

Para usar el cajón convertible como congelador, presione el botón **Select/Freezer** ❶ durante al menos 3 segundos. Una vez que el cajón convertible esté configurado en el modo congelador, su temperatura coincide con la temperatura del congelador.

- Presionar el botón cambia la temperatura del cajón.
- Para regresar al modo refrigerador, mantenga presionado el botón durante, al menos, 3 segundos.

### ⚠ PRECAUCIÓN

- No almacene botellas de vidrio ni latas en la bandeja convertible cuando esté configurada en modo congelador. Los envases podrían romperse.
- Antes de cambiar la bandeja al modo refrigerador, almacene la comida congelada en el congelador. De lo contrario, se podría descongelar y echar a perder.
- No toque las partes metálicas de la bandeja convertible si tiene las manos mojadas o húmedas. Esto podría causar congelamiento.

## 40 FUNCIONES INTELIGENTES

# FUNCIONES INTELIGENTES

## Aplicación LG ThinQ

Esta característica solo está disponible en modelos con Wi-Fi.

La aplicación **LG ThinQ** le permite comunicarse con el electrodoméstico usando un teléfono inteligente.

### Funciones de la aplicación LG ThinQ

† Esta característica solamente está disponible en algunos modelos.

- **Smart Learner**<sup>†</sup>
  - Ofrece una experiencia más personalizada basada en un análisis de sus patrones de uso.
- **Smart Sabbath**<sup>†</sup>
  - Activa o desactiva el modo Sabbath y configura la programación para la activación del modo.
- **Monitoreo de energía**<sup>†</sup>
  - Esta función lleva un registro del consumo de energía del refrigerador y la cantidad de veces que se abrió la puerta.
- **Control Remoto**<sup>†</sup>
  - Controla la temperatura del refrigerador, el filtro de aire y la función Ice Plus desde la aplicación para teléfonos inteligentes.
- **Mensajes Push**<sup>†</sup>
  - Si la puerta permanece abierta durante más de diez minutos, recibirá un mensaje automático. También recibirá un mensaje automático cuando la función Ice Plus finalice.
- **Smart Diagnosis**<sup>TM</sup>
  - Esta función brinda información útil para diagnosticar y resolver problemas con el producto conforme a su patrón de uso.
- **Configuración**
  - Le permite ajustar varias opciones en el refrigerador y en la aplicación.

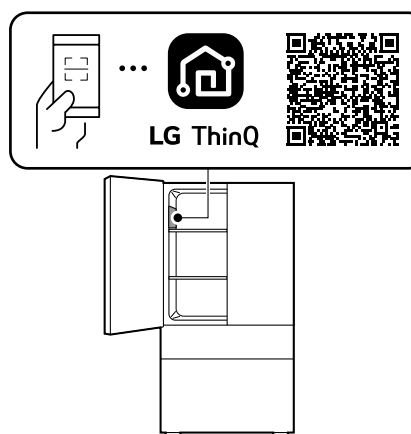
### NOTA

- Si cambia de enrutador inalámbrico, proveedor de Internet, o contraseña, borre el electrodoméstico conectado a la aplicación **LG ThinQ** y proceda a conectarlo de nuevo.
- Esta información está actualizada en el momento de su publicación. La aplicación está sujeta a cambios, con fines de mejorar el producto, sin previo aviso a los usuarios.

## Instalación de la aplicación LG ThinQ y conexión de un electrodoméstico LG

### Modelos con código QR

Escanee el código QR que trae el producto con la cámara o una aplicación lectora de códigos QR en su teléfono inteligente.



### Modelos sin código QR

- 1 Busque la aplicación **LG ThinQ** en la tienda Google Play o Apple App Store e instálela en su teléfono inteligente.
- 2 Ejecute la aplicación **LG ThinQ** e inicie sesión con su cuenta actual, o cree una cuenta LG para iniciar sesión.
- 3 Pulse el botón Agregar (+) en la aplicación **LG ThinQ** para conectar su electrodoméstico LG. Siga las instrucciones en la aplicación y complete el proceso.

### NOTA

- Para verificar la conexión Wi-Fi, revise que el indicador de Wi-Fi en el panel de control esté encendido.
- El electrodoméstico funciona únicamente con redes Wi-Fi de 2.4 GHz. Contacte a su proveedor de servicios de internet o verifique el manual del enrutador inalámbrico para revisar la frecuencia de su red.

- **LG ThinQ** no es responsable por ningún problema de conexión en red, falla, mal funcionamiento o error causado por la conexión de red.
- El entorno inalámbrico circundante puede hacer que el servicio de red inalámbrica funcione lentamente.
- Si la distancia entre el electrodoméstico y el enrutador inalámbrico es muy grande, la señal será débil. Probablemente le tome más tiempo conectarse o no pueda instalar la aplicación.
- Si el aparato tiene problemas para conectarse a la red Wi-Fi, es posible que se encuentre demasiado lejos del router. Adquiera un repetidor Wi-Fi (extensor de alcance) para mejorar la intensidad de la señal Wi-Fi.
- Es posible que la conexión de red no funcione bien por cuestiones relacionadas con su proveedor de servicios de Internet.
- Es posible que la conexión Wi-Fi no se conecte o se interrumpa debido al entorno de la red doméstica.
- Si no se puede conectar el electrodoméstico por problemas con la transmisión de la señal inalámbrica, desconéctelo y espere alrededor de un minuto previo a intentarlo de nuevo.
- Si el cortafuegos de su enrutador inalámbrico está activado, desactívelo o añada una excepción a éste.
- El nombre de la red inalámbrica (SSID) debe ser una combinación de letras y números. (No utilice símbolos especiales)
- Puede que la interfaz del usuario del teléfono inteligente (UI) varíe dependiendo del sistema operativo del móvil (os) y del fabricante.
- Puede que la configuración de red falle si el protocolo de seguridad del enrutador está en **WEP**. Cambie el protocolo de seguridad por otro (es recomendado el **WPA2**) y conecte el producto de nuevo.
- Para desactivar la función Wi-Fi, mantenga presionado el botón **Wi-Fi** por 3 segundos. El indicador de Wi-Fi se apagará.
- Para volver a conectar el electrodoméstico o agregar otro usuario, mantenga presionado el botón **Wi-Fi** por 3 segundos para un apagado temporal. Ejecute la aplicación **LG ThinQ** y siga las instrucciones en ella para conectar el electrodoméstico.

## Especificaciones del equipo de radio

Para identificar el módulo RF instalado en el electrodoméstico, vea la etiqueta que se encuentra en el electrodoméstico.

Nombre del modelo	LCWB-001
Rango de frecuencia del LAN inalámbrico	2412 - 2462 MHz
Potencia de salida (máx.) del LAN inalámbrico	< 30 dBm
Rango de frecuencia del Bluetooth	2402 - 2480 MHz
Potencia de salida (máx.) del Bluetooth	< 30 dBm

Nombre del modelo	LCW-007
Rango de frecuencia del LAN inalámbrico	2412 - 2462 MHz
Potencia de salida (máx.) del LAN inalámbrico	< 30 dBm

## Declaración de la FCC

Este equipo ha sido probado y cumple con los límites para un dispositivo digital de Clase B, de acuerdo con la parte 15 de las Reglas de la FCC para el módulo transmisor y la parte 18 de las Reglas de la FCC para este equipo. Estos límites están diseñados para ofrecer una protección razonable contra interferencias dañinas en una instalación residencial. Este equipo genera, usa, y puede emitir energía de radiofrecuencia y, si no se instala y utiliza de acuerdo con las instrucciones, podría causar interferencias dañinas a las comunicaciones por radio. Sin embargo, no se garantiza que dicha interferencia no pueda ocurrir en instalaciones particulares. Si este equipo causa interferencia dañina a la recepción de radio o televisión, que se puede determinar encendiendo y apagando el equipo, se aconseja al usuario intentar corregir la interferencia realizando alguna de las siguientes acciones:

- Reorientar o reubicar la antena receptora.
- Aumentar la separación entre el equipo y el receptor.
- Conectar el equipo a una toma de corriente en un circuito diferente del utilizado por el receptor.
- Consultar al vendedor o a un técnico de radio/TV con experiencia para solicitar ayuda.

## 42 FUNCIONES INTELIGENTES

Este dispositivo (el módulo transmisor contenido en este producto) cumple con la parte 15 de las Reglas FCC. La operación está sujeta a las siguientes dos condiciones:

- (1) Este dispositivo no debe causar interferencia dañina, y
- (2) Este dispositivo debe aceptar cualquier interferencia recibida, incluso aquellas que pudieran causar un funcionamiento no deseado del dispositivo.

Cualquier cambio o modificación en la construcción de este dispositivo, que no cuente con la aprobación expresa de la parte responsable del cumplimiento, puede anular la autorización del usuario para operarlo.

### Declaración sobre exposición a la radiación de RF de la FCC

Este equipo cumple con los límites de exposición a la radiación de la FCC establecidos para entornos no controlados. Este transmisor no se debe ubicar ni operar junto con ninguna otra antena ni transmisor.

El equipo se debe instalar y operar con una distancia mínima de 20 cm (7.8 pulg.) entre la antena y su cuerpo. Los usuarios deben seguir las instrucciones de operación específicas de manera tal de cumplir con las normas de exposición a la RF.

### Declaración de Industry Canada

Este dispositivo contiene transmisores/receptores exentos de licencia que cumplen con las RSS de innovación, ciencia y desarrollo económico exentas de licencia de Canadá. Su funcionamiento queda sujeto a las siguientes condiciones:

- (1) Este dispositivo no debe causar interferencia.
- (2) Este dispositivo debe aceptar cualquier interferencia recibida, incluyendo interferencia que puede causar el funcionamiento no deseado del dispositivo.

### Declaración sobre Exposición a Radiación de la IC

Este equipo cumple con los límites de exposición a la radiación de la IC establecidos para entornos no controlados.

Este equipo debe ser instalado y operado con una distancia mínima de 20 cm (7.8 pulg.) entre la antena y su cuerpo.

### NOTA

- EL FABRICANTE NO SE HACE RESPONSABLE DE CUALQUIER INTERFERENCIA DE TV O RADIO CAUSADA POR MODIFICACIONES NO AUTORIZADAS A ESTE EQUIPO. TALES MODIFICACIONES PODRÍAN ANULAR LA AUTORIDAD DEL USUARIO PARA PONER EL EQUIPO EN FUNCIONAMIENTO.

### Software de código abierto

Para obtener el código fuente bajo GPL, LGPL, MPL y otras licencias de código abierto con las obligaciones para divulgar el código abierto, que contiene este producto, y para acceder a todos los términos de la licencia, avisos de derechos de autor y otros documentos relevantes, visite <https://opensource.lge.com>.

LG Electronics también le proporcionará el código abierto en un CD-ROM por un costo que cubra los gastos de dicha distribución (como el costo del medio, del envío y de la manipulación) una vez realizado el pedido por correo electrónico a la dirección [opensource@lge.com](mailto:opensource@lge.com).

Esta oferta es válida para todo aquel que reciba esta información durante un período de tres años después de que se envíe el último cargamento de este producto.

### Función Smart Grid (Red Inteligente)

Cuando el refrigerador opera en modo Red Inteligente, la función Refrigerador Inteligente (Smart Refrigerator) puede controlar el uso de energía o retrasar la operación de algunas funciones para ahorrar energía durante períodos de uso pico.

- Puede anular la función Red Inteligente en cualquier momento (usando el botón o aplicación **Smart Grid**).
- Para usar la función Smart Grid, debe registrar su electrodoméstico con su compañía de servicio eléctrico, siempre que su compañía de servicio eléctrico admita la función. En otras palabras, la función Smart Grid no estará disponible si su compañía de servicios eléctricos no admite la función o no tiene la capacidad de admitirla.

## Características de la Aplicación Red Inteligente

- Ahorro Inteligente\_Respuesta bajo Demanda
  - Puede bajar el uso de energía de acuerdo a las señales de Respuesta a la demanda (DR) de la compañía de energía. Si el refrigerador está funcionando en modo ahorro inteligente de acuerdo a la señal DR, verá un mensaje emergente.
- Ahorro de Energía por Temporada
  - Menor uso de energía basado en un período de tiempo.

## 44 MANTENIMIENTO

# MANTENIMIENTO

## Limpieza

### ⚠ ADVERTENCIA

- Utilice un limpiador no inflamable. Si no lo hace, puede resultar en incendio, explosión o muerte.

### ⚠ PRECAUCIÓN

- No use un trapo abrasivo o esponja mientras limpia el interior y exterior del refrigerador.
- No coloque su mano en la superficie inferior del refrigerador cuando abra y cierre las puertas.

## Consejos Generales de Limpieza

- Tanto las secciones del refrigerador como del congelador se descongelan automáticamente; sin embargo, limpie ambas secciones una vez al mes para prevenir olores.
- Limpie derrames inmediatamente.
- Desconecte el refrigerador o la corriente eléctrica previo a la limpieza.
- Remueva todas las partes removibles, como los estantes.
- Use una esponja limpia o un paño suave y un detergente ligero en agua tibia. No utilice abrasivos o limpiadores ásperos.
- Lave a mano, enjuague y seque todas las superficies intensivamente.

## Exterior

Para productos con un exterior de acero inoxidable negro, rocíe limpiador de vidrio en un paño limpio de microfibra y frote en dirección de la fibra. No rocíe limpiador de vidrio directamente al panel de pantalla. No utilice limpiadores ásperos o abrasivos.

Para productos con un exterior de acero inoxidable estándar, use un paño húmedo de microfibra y frote en dirección de la fibra. Seque con una toalla de papel para evitar rayones. Para manchas rebeldes y huellas digitales, use algunas gotas de jabón líquido para platos en agua y enjuague con agua caliente antes de secar. No utilice abrasivos o limpiadores ásperos.

Si su producto tiene una puerta de cristal espejado, use el paño de microfibra que viene con el producto. Para eliminar las manchas más fácilmente, rocíe el paño con un limpiador de vidrio y limpie la superficie.

## Sensor de proximidad

Esta característica solamente está disponible en algunos modelos.

En la parte inferior de la puerta del refrigerador hay instalado un sensor de proximidad. La acumulación de polvo podría afectar el rendimiento de dicho sensor. Limpie el sensor con regularidad. Use una esponja limpia o un paño suave y un detergente neutro en agua tibia. No use limpiacristales, limpiadores abrasivos ni líquidos inflamables. Estos pueden rayar o dañar el material. Séquelo con una toalla de papel para evitar rayones.

## Paredes Interiores

- Permita que el congelador se caliente para que el paño no se pegue.

Como ayuda para remover olores, lave el interior del refrigerador con una mezcla de bicarbonato de sodio y agua tibia. Mezcle 2 cucharadas de bicarbonato de sodio con 1 cuarto de galón de agua (26 g de bicarbonato en 1 litro de agua). Asegúrese de que el bicarbonato de sodio está completamente disuelto para que este no raye las superficies del refrigerador.

## Revestimientos de Puertas y Juntas

Use una esponja limpia o un paño suave y un detergente ligero en agua tibia. No utilice ceras de limpieza, detergentes concentrados, lejías o limpiadores que contengan petróleo en las partes plásticas del refrigerador.

## Partes Plásticas (Cubiertas y Paneles)

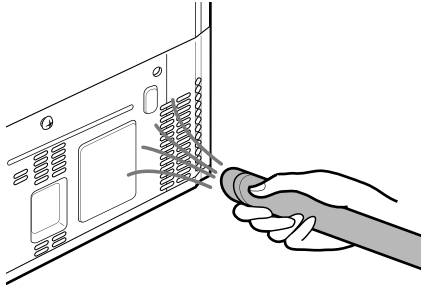
Use una esponja limpia o un paño suave y un detergente ligero en agua tibia. No utilice limpiadores de vidrio, limpiadores abrasivos o líquidos inflamables. Estos pueden rayar o dañar el material.

## Bobinas del Condensador

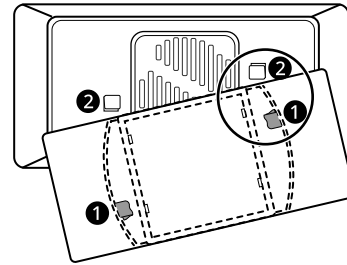
Use una aspiradora con un cepillo o hendedura adjunta para limpiar la cubierta y los respiraderos



del condensador. No remueva el panel que cubre el área de las bobinas del condensador.



4 Alinee las pestañas ① en la cubierta del filtro con los ganchos ② de la pared del refrigerador.



## Filtro de Aire

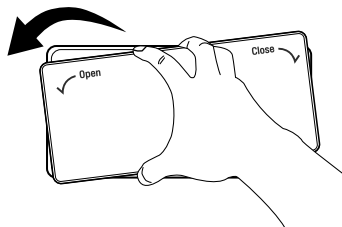
Esta característica solamente está disponible en algunos modelos.

### Reemplazo del Filtro de Aire Fresco

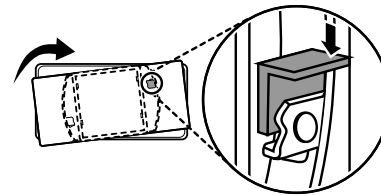
Reemplace el filtro de aire:

- Aproximadamente cada seis meses.
- Cuando el icono **Replace Filter** se encienda.
- Utilice el filtro de aire de repuesto: LT120F

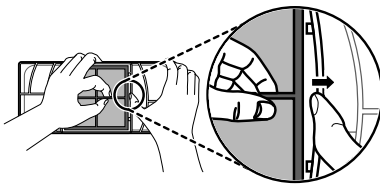
1 Gire la cubierta del filtro hacia la izquierda para liberar las pestañas y retirar la cubierta.



5 Gire la cubierta del filtro de aire hacia la derecha hasta que los ganchos se acoplen y la cubierta quede fija en su lugar.



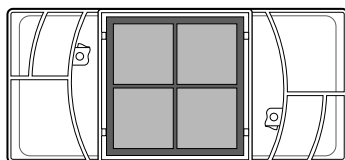
2 Retire el filtro del interior de la cubierta presionando los laterales del filtro y tirando del centro.



6 Mantenga presionado el botón **Fresh Air Filter** en el panel de control durante 3 segundos para reiniciar el sensor del filtro.



3 Coloque el filtro nuevo dentro de la cubierta con el lado que dice **FRONT** hacia afuera.



## Filtro de agua

### Antes de reemplazar el Filtro de Agua

#### ⚠ ADVERTENCIA

- Para disminuir el riesgo asociado al ahogamiento, no permita que los niños menores de 3 años tengan acceso a las piezas pequeñas durante la instalación de este producto.
- Para disminuir el riesgo asociado a la ingesta de contaminantes, no utilice con agua que no sea segura en términos microbiológicos o de calidad desconocida, sin la adecuada desinfección previa o posterior del sistema.
- El uso de filtros de agua no autorizados puede provocar un mal funcionamiento del producto, una pérdida de agua o problemas en la calidad del agua, los cuales no estarán cubiertos por la garantía del producto.

## 46 MANTENIMIENTO

### ⚠ PRECAUCIÓN

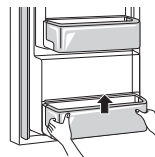
- Lea y siga las Instrucciones de Uso previo a la instalación y uso de este sistema.
- La instalación y uso DEBEN cumplir con toda la normativa de plomería estatal y local.
- No lleve a cabo la instalación si la presión del agua excede los 120 psi (827 kPa). Si la presión del agua excede los 80 psi, deberá instalar una válvula limitante de presión. Contacte a un plomero si no está seguro sobre cómo revisar la presión del agua.
- No lleve a cabo la instalación donde pueden producirse condiciones de golpes de ariete de agua. Si existen condiciones de golpes de ariete de agua, deberá instalar un supresor de golpes de ariete. Contacte a un plomero profesional si no sabe cómo revisar esta condición.
- No lleve a cabo la instalación en líneas de agua caliente. La temperatura máxima de operación de este sistema de filtro es 100 °F (37.8 °C).
- Evite la congelación del filtro. Drene el filtro cuando la temperatura caiga debajo de 40 °F (4.4 °C).
- El cartucho de filtro desechable DEBE sustituirse cada 6 meses, con la capacidad nominal o si se observa una significativa reducción del caudal.
- Para protegerlo de la congelación, remueva el cartucho del filtro cuando se prevea que las temperaturas pueden ser inferiores a 33°F.
- No instale sistemas en áreas donde la temperatura ambiente pueda superar los 110°F (43.3°C).
- Donde se instale un dispositivo de prevención de reflujos en un sistema de agua, deberá instalarse un dispositivo para controlar la presión debido a la expansión térmica.
- Asegúrese de que todas las tuberías y conexiones estén correctamente instaladas y no presenten fugas.

### Reemplazo del Filtro de Agua (Tipo A)

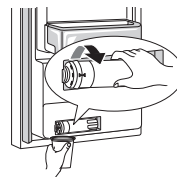
- Reemplace el filtro de agua:
  - Aproximadamente cada seis meses.
  - Cuando se encienda el indicador de **Water Filter**.
  - Cuando disminuya la potencia del dispensador de agua.
- Para comprar un filtro de agua de repuesto:
  - Visite a su proveedor o distribuidor local

- Busque usando "filtro de agua" en Ig.com
- Utilice cartucho de reemplazo: LT1000P, LT1000PC, LT1000PCS o ADQ747935\*\*

#### 1 Remueva el compartimento de la puerta.



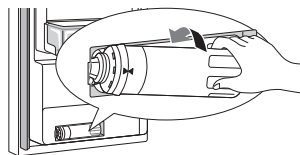
#### 2 Remueva el filtro de agua desechable.



#### NOTA

- Reemplazar el filtro de agua causa que una pequeña cantidad de agua (alrededor de 1 oz o 25 cc) se drene.
- Envuelva un paño alrededor de la parte delantera de la cubierta del filtro de agua para recoger cualquier goteo. En cuanto sea removido, sostenga el filtro de agua en posición vertical, para prevenir que cualquier remanente de agua salga del filtro.

- #### 3 Reemplácelo con un nuevo filtro de agua.
- Inserte el nuevo filtro en el cabezal para filtros y rótelos hacia la derecha hasta que la flecha del nuevo filtro quede alineada con la flecha del cabezal para filtros. Gire el filtro nuevamente en el compartimento.



- #### 4 Reempaca el compartimento de la puerta.

- #### 5
- Luego de cambiar el filtro, mantenga presionado el botón **Water Filter** por tres segundos para reiniciar el sensor del filtro.

- 6** Luego de reemplazar el filtro de agua, dispense 2.5 galones de agua (deje correr el agua por aproximadamente 5 minutos) para remover el aire atrapado y los contaminantes del sistema.

**NOTA**

- No dispense los 2.5 galones completos de manera continua. Presione y suelte el botón del dispensador en ciclos de 30 segundos ENCENDIDO y 60 segundos APAGADO.


**⚠ PRECAUCIÓN**

- LG recomienda que utilice filtros de agua autorizados por LG para prevenir problemas con la calidad del agua, pérdida de agua o malfuncionamiento del electrodoméstico.

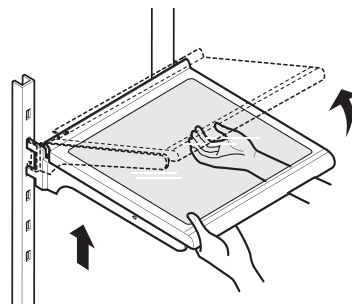
Para mayor asistencia, llame al:

- 1-800-243-0000 (USA)
- 1-888-542-2623 (Canadá)

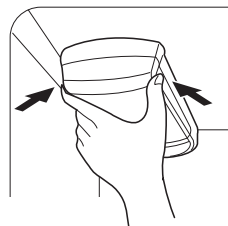
**Reemplazo del Filtro de Agua (Tipo B)**

- Reemplace el filtro de agua:
  - Aproximadamente cada seis meses.
  - Cuando el ícono Replace Filter  o la luz indicadora se encienda.
  - Cuando disminuya la potencia del dispensador de agua.
- Para comprar un filtro de agua de repuesto:
  - Visite a su proveedor o distribuidor local
  - Busque usando "filtro de agua" en lg.com
  - Utilice cartucho de reemplazo: LT1000P, LT1000PC, LT1000PCS o ADQ747935\*\*

- 1** Si el estante superior, localizado debajo del filtro de agua, está en la posición más alta, este deberá ser removido previo a reemplazar el filtro de agua.
- Para retirar cualquier estante, levante el frente del estante y tire hacia arriba. Retire el estante.



- 2** Pulse el botón de presión para abrir la cubierta del filtro de agua.

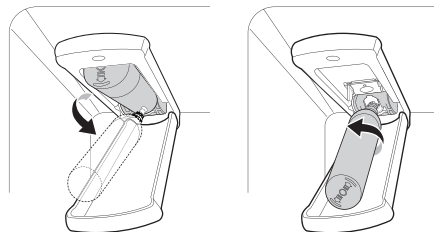


- 3** Tire hacia abajo el filtro de agua y gírelo hacia la izquierda antes de retirarlo.

- Asegúrese de rotar completamente el filtro hacia abajo antes de retirarlo de la abertura.

**NOTA**

- Reemplazar el filtro de agua causa que una pequeña cantidad de agua (alrededor de 1 oz o 25 cc) se drene.
- Envuelva un paño alrededor de la parte delantera de la cubierta del filtro de agua para recoger cualquier goteo. En cuanto sea removido, sostenga el filtro de agua en posición vertical, para prevenir que cualquier remanente de agua salga del filtro.



- 4** Reemplace con un nuevo filtro de agua.

- Desempaque su nuevo filtro de agua y remueva la cubierta protectora de los anillos. Con las pestañas del filtro de agua en posición horizontal, introduzca el nuevo

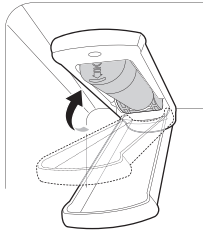
## 48 MANTENIMIENTO

---

filtro en la abertura y gírelo hacia la derecha hasta que se detenga.



- 5** Cierre la cubierta del filtro de agua. La cubierta hará clic al cerrarla correctamente.



- 6** Luego de reemplazar el filtro de agua, dispense 2.5 galones de agua (deje correr el agua por aproximadamente 5 minutos) para remover el aire atrapado y los contaminantes del sistema.

---

### NOTA

- No dispense los 2.5 galones completos de manera continua. Presione y suelte el botón del dispensador en ciclos de 30 segundos ENCENDIDO y 60 segundos APAGADO.
- 

- 7** Luego de cambiar el filtro, mantenga presionado el botón **Water Filter** por tres segundos para reiniciar el sensor del filtro.

---

### ⚠ PRECAUCIÓN

- LG recomienda que utilice filtros de agua autorizados por LG para prevenir problemas con la calidad del agua, pérdida de agua o malfuncionamiento del electrodoméstico.
- 

- Para mayor asistencia, llame al:
  - 1-800-243-0000 (USA)
  - 1-888-542-2623 (Canadá)


## Hoja de Datos de Rendimiento

Modelo: LT1000P, LT1000PC, LT1000PCS

Código del Nombre Comercial del Sistema NSF: MDJ64844601

La concentración de las sustancias indicadas en el agua que entra al sistema se redujo a una concentración menor o igual al límite permisible para el agua de salida según lo especificado en NSF/ANSI Estándar 42, Estándar 53 y Estándar 401.

ESPAÑOL

 Sistema probado y certificado por NSF Internacional en contra de NSF/ANSI Estándar 42, Estándar 53 y Estándar 401 para la reducción de las siguientes sustancias.

Reducción de Sustancia	Dificultad de Afluencia Promedio	Concentración Objetivo especificada por NSF	% Reducción Promedio	Concentración Media de Producto en Agua	Concentración Máxima Permissible de Producto en Agua	Requisitos de Reducción NSF
Olor y Sabor a Cloro	2.0 µg/L	2.0 µg/L ± 10%	>97.5%	0.050 µg/L	N/A	≥ 50.00%
Partícula Nominal Clase I, , ≥ 0.5 a < 1.0 µm	12,000,000 pts/mL	Al menos 10,000 partículas/mL	99.80%	24,000 pts/ml	N/A	≥ 85.00%
Asbesto	180 MFL	De 10 <sup>7</sup> a 10 <sup>8</sup> MFL; fibras de una longitud mayor a 10 µg/L in	>99.00%	< 1 MFL	N/A	≥ 99.00%
Atracina	8.5 µg/L	9.0 µg/L ± 10%	>94.10%	0.500 µg/L	3.0 µg/L	NA
Benceno	15.0 µg/L	15.0 µg/L ± 10%	>96.60%	0.510 µg/L	5.0 µg/L	NA
Carbofurano	74.0 µg/L	80.0 µg/L ± 10%	98.30%	1.258 µg/L	40 µg/L	NA
Lindano	1.9 µg/L	2.0 µg/L ± 10%	>99.00%	0.019 µg/L	0.2 µg/L	NA
P-Diclorobenceno	230.0 µg/L	225.0 µg/L ± 10%	>99.80%	0.460 µg/L	75.0 µg/L	NA
2,4-D	210.0 µg/L	210.0 µg/L ± 10%	>99.90%	0.210 µg/L	70.0 µg/L	NA
Plomo pH @6.5	140.0 µg/L	150.0 µg/L ± 10%	99.60%	0.560 µg/L	10.0 µg/L	NA
Plomo pH @8.5	150.0 µg/L	150.0 µg/L ± 10%	>99.70%	<0.500 µg/L	10.0 µg/L	NA
Mercurio @ pH6.5	5.9 µg/L	6.0 µg/L ± 10%	91.00%	0.531 µg/L	2.0 µg/L	NA
Mercurio @ pH8.5	5.6 µg/L	6.0 µg/L ± 10%	92.5%	0.420 µg/L	2.0 µg/L	NA
Bacterias*	100,000 quistes/L	Mínimo de 50,000 bacterias/L	>99.99%	10 quistes/L	N/A	≥ 99.95%
Atenolol	240 ng/L	200 ± 40% ng/L	>95.50%	10.80 ng/L	30 ng/L	NA
Carbamazepina	1600 ng/L	1400 ± 40% ng/L	98.40%	25.60 ng/L	200 ng/L	NA
DEET	1600 ng/L	1400 ± 40% ng/L	97.10%	46.40 ng/L	200 ng/L	NA
Trimetoprima	170 ng/L	140 ± 40% ng/L	>96.80%	5.44 ng/L	20 ng/L	NA
Linuron	160 ng/L	140 ± 40% ng/L	>96.60%	5.44 ng/L	20 ng/L	NA
Fenitoína	200 ng/L	200 ± 40% ng/L	>94.80%	10.40 ng/L	30 ng/L	NA
Ibuprofeno	400 ng/L	400 ± 40% ng/L	>94.50%	22.00 ng/L	60 ng/L	NA
Naproxeno	140 ng/L	140 ± 40% ng/L	>96.10%	5.46 ng/L	20 ng/L	NA
Estrona	120 ng/L	140 ± 40% ng/L	>96.10%	4.68 ng/L	20 ng/L	NA
Bisfenol A	2000 ng/L	2000 ± 40% ng/L	>98.90%	22.00 ng/L	300 ng/L	NA

## 50 MANTENIMIENTO

Reducción de Sustancia	Dificultad de Afluencia Promedio	Concentración Objetivo especificada por NSF	% Reducción Promedio	Concentración Media de Producto en Agua	Concentración Máxima Permisible de Producto en Agua	Requisitos de Reducción NSF
Nonilfenol	1600 ng/L	1400 ± 40% ng/L	>97.10%	46.40 ng/L	200 ng/L	NA

\* Basado en el uso de oquistes de *Cryptosporidium parvum*.

Lineamientos de Aplicación / Parámetros de Suministro de Agua	
Flujo de Servicio	0.5 gpm (1.9 lpm)
Suministro de Agua	Pozo Comunitario o Privado - Agua Potable
Presión de Agua	20 - 120 psi (138 - 827 kPa)
Temperatura del agua	33 °F - 100 °F (0.6 °C - 37.8°C)
Capacidad	200 galones (757 litros)

Es indispensable que se realicen la instalación recomendada por el fabricante, el mantenimiento y los requerimientos de remplazo del filtro para que el producto se desempeñe adecuadamente.

### NOTA

- Aunque se llevaron a cabo las pruebas en condiciones estándar de laboratorio, el desempeño real podría variar.

Para filtros de reemplazo, visite a su proveedor o distribuidor local o busque "filtros de agua" en el sitio web [lg.com](http://lg.com).

Para mayor asistencia, contacte al Centro de Información al Cliente de LG Electronics.

USA: 1-800-243-0000

Canadá: 1-888-542-2623

### Cartucho de reemplazo: LT1000P, LT1000PC, LT1000PCS o ADQ747935\*\*

LG es una marca registrada de la corporación LG.

NSF es una marca comercial de NSF International.

Manufacturado por LG Electronics, INC:

170, Sungsanpaechoungro, Seongsan-gu, Gyeongsangnam-do, THE REPUBLIC OF KOREA

# SOLUCIÓN DE PROBLEMAS

## Preguntas frecuentes

### Preguntas frecuentes

**P: ¿Cuál es la mejor configuración de temperatura para mi refrigerador y congelador?**

R: La configuración predeterminada del refrigerador es 37° Fahrenheit (3° Celsius). La configuración predeterminada del congelador es 0° Fahrenheit (-18° Celsius). Ajuste esta configuración según sus necesidades a manera de mantener los alimentos a la temperatura deseada. La leche deberá mantenerse fría al almacenarse en el estante interior del refrigerador. El helado deberá estar firme y los cubos de hielo no deberán derretirse en el congelador. Para cambiar la pantalla de Fahrenheit a Celsius, mantenga presionados los botones **Freezer** y **Refrigerator** hasta que escuche un sonido y vea el cambio de ajustes en la pantalla.

**P: ¿Cómo establezco la temperatura del refrigerador y del congelador?**

R: Presione continuamente el botón **Refrigerator** o **Freezer** en el panel de control hasta que aparezca la temperatura deseada. Los números se mostrarán de mayor a menor y volverán a comenzar por el mayor a medida que siga presionando.

**P: ¿Por qué escucho un zumbido periódicamente desde mi refrigerador?**

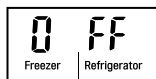
R: Esto puede suceder si no tiene una fuente de agua conectada a su refrigerador y el dispensador de hielo está encendido. Si no tiene una fuente de agua conectada a la parte trasera del refrigerador, debe apagar el dispensador de hielo.

**P: ¿Por qué el recipiente del dispensador de hielo se ve encorvado?**

R: Esta es una parte normal del ciclo del dispensador de hielo. La bandeja del dispensador de hielo puede parecer nivelada o con una leve inclinación. El cambio de posición es para asistir el proceso de congelación.

**P: Mi refrigerador está encendido y los controles están funcionando, pero no está enfriando y la pantalla muestra "OFF" (Apagado) (Vea abajo). ¿Qué está mal?**

R: El refrigerador está en Modo de Exhibición. El Modo de Exhibición deshabilita toda refrigeración en las secciones del refrigerador y congelador para conservar energía mientras se exhibe en una tienda minorista. Cuando se activa, se muestra apagado (OFF) en el panel de control y la pantalla permanece encendida por 20 segundos. Con cualquier puerta del refrigerador abierta, presione el botón **Ice Plus** 3 veces de manera consecutiva mientras presiona el botón **Refrigerator**. El panel de control emite un pitido y la configuración de la temperatura muestra la confirmación de que el Modo de Exhibición está desactivado. Utilice el mismo procedimiento para activar el Modo de Exhibición.



**P: Mi refrigerador está encendido y enfriando, pero ninguna luz está encendida y los botones no funcionan. En la pantalla se muestra "Sb".**

R: El modo Sabbath está activado. (Solo se incluye en algunos modelos). Para apagarlo, vea la sección **Modo Sabbath**.

## 52 SOLUCIÓN DE PROBLEMAS

### Antes de llamar al servicio técnico

Revise esta sección antes de llamar para servicio; hacerlo le ahorrará tiempo y dinero.

Para ver otros ítems de solución de problemas, consulte el manual completo en línea.

#### Wi-Fi

Problemas	Causas posibles y solución
<b>Problemas para conectar el electrodoméstico y el teléfono inteligente a la red Wi-Fi</b>	<b>Se introdujo una contraseña incorrecta para la red Wi-Fi.</b> <ul style="list-style-type: none"> <li>Borre su red Wi-Fi doméstica e inicie el proceso de registro de nuevo.</li> </ul>
	<b>Red Móvil está activada en su teléfono inteligente.</b> <ul style="list-style-type: none"> <li>Desactive los <b>Datos móviles</b> de su teléfono inteligente antes de conectar el electrodoméstico.</li> </ul>
	<b>El nombre de la red inalámbrica (SSID) se ha configurado incorrectamente.</b> <ul style="list-style-type: none"> <li>El nombre de la red inalámbrica (SSID) debe ser una combinación de letras y números. (No utilice símbolos especiales)</li> </ul>
	<b>La frecuencia del enrutador no es de 2,4 GHz.</b> <ul style="list-style-type: none"> <li>Sólo se admite una frecuencia de enrutador de 2.4 GHz. Configure el enrutador inalámbrico a 2.4 GHz y conecte el electrodoméstico a éste. Para verificar la frecuencia del enrutador, consulte con su proveedor de servicios de internet o con el fabricante del enrutador.</li> </ul>
	<b>El electrodoméstico y el enrutador están demasiado separados.</b> <ul style="list-style-type: none"> <li>Si el electrodoméstico está muy lejos del enrutador, puede que la señal sea débil y que la conexión no se configure correctamente. Reubique el enrutador para que esté más cerca del electrodoméstico o adquiera e instale un repetidor Wi-Fi.</li> </ul>
	<b>Durante la configuración de Wi-Fi, la aplicación requiere una contraseña para conectar el producto (en determinados teléfonos).</b> <ul style="list-style-type: none"> <li>Ubique el nombre de la red que comienza con "LG" en Configuración &gt; Redes. Anote la última parte del nombre de la red.           <ul style="list-style-type: none"> <li>Si el nombre de la red se asemeja a LGE_Appliance_XX-XX-XX, ingrese lge12345.</li> <li>Si el nombre de la red tiene el siguiente formato LGE_Appliance_XXXX, ingrese XXXX dos veces como su contraseña. Por ejemplo, si el nombre de la red aparece como LGE_Appliance_8b92, entonces debe ingresar 8b928b92 como contraseña. En esta instancia, la contraseña distingue mayúsculas de minúsculas y los últimos 4 caracteres son exclusivos de su electrodoméstico.</li> </ul> </li> </ul>



# GARANTÍA LIMITADA

## EE. UU.

### TÉRMINOS Y CONDICIONES

**AVISO DE ARBITRAJE: ESTA GARANTÍA LIMITADA CONTIENE UNA CLÁUSULA DE ARBITRAJE QUE LE DEMANDA A USTED Y A LG ELECTRONICS ("LG") RESOLVER CONFLICTOS A TRAVÉS DE UN ARBITRAJE VINCULANTE EN LUGAR DE HACERLO EN EL TRIBUNAL, A MENOS QUE USTED DECIDA NO PARTICIPAR. EN EL ARBITRAJE NO ESTÁN PERMITIDAS LAS ACCIONES COLECTIVAS NI LOS JUICIOS CON JURADO. POR FAVOR, VEA A CONTINUACIÓN LA SECCIÓN "PROCEDIMIENTO PARA RESOLVER CONFLICTOS".**

En caso de que su Refrigerador ("Producto") presente alguna falla por defectos de materiales o de fabricación bajo uso apropiado y normal durante el período de garantía establecido más abajo, será reparado o reemplazado por LG, a su opción. Esta garantía limitada es válida únicamente para el comprador final original del Producto ("Usted"), y para productos comprados legalmente y utilizados dentro de los Estados Unidos, incluidos los territorios norteamericanos.

PERÍODO DE GARANTÍA			
Refrigerador/ Congelador	Sistema Sellado (Condensador, Filtro desecante, Tubo Conector y Evaporador)	Compresor	
Un (1) año a partir de la fecha original de compra	Cinco (5) años a partir de la fecha original de compra	Cinco (5) años a partir de la fecha original de compra	Solo compresor lineal/ inversor: solo partes durante 6-10 años a partir de la fecha original de compra (Usted deberá pagar la mano de obra).
Piezas y mano de obra (solo piezas internas/ funcionales)	Piezas y mano de obra	Piezas y mano de obra	

- Los productos y las piezas de repuesto están garantizados durante el tiempo restante del período original de garantía o noventa (90) días, lo que resulte mayor.
- Los Productos y las piezas de repuesto pueden ser nuevos, reparados, reacondicionados, o reconstruidos por la fábrica.
- Los Productos o piezas reemplazados serán propiedad de LG.
- Es necesario presentar prueba de la compra minorista especificando el modelo del Producto y la fecha de compra para obtener el servicio de garantía conforme a la presente garantía limitada.

**SALVO LO PROHIBIDO POR LA LEY, TODA GARANTÍA DE COMERCIALIZACIÓN O IDONEIDAD IMPLÍCITA, PARA UN PROPÓSITO PARTICULAR EN EL PRODUCTO, ESTÁ LIMITADA A LA DURACIÓN DE LA GARANTÍA ARRIBA EXPRESADA. BAJO NINGUNA CIRCUNSTANCIA DEBERÁ LG O SUS DISTRIBUIDORES/REPRESENTANTES SER RESPONSABLE POR CUALQUIER DAÑO INDIRECTO, INCIDENTAL, CONSECUENTE, ESPECIAL, O PUNITIVO, LO CUAL INCLUYE PERO NO SE LIMITA A, PÉRDIDA DE FONDOS DEL COMERCIO, GANANCIAS PERDIDAS, INTERRUPCIÓN DEL TRABAJO, DETERIORO DE OTROS BIENES, COSTO DE REMOVER Y REINSTALAR EL PRODUCTO, PÉRDIDA DE USO, O CUALQUIER OTRO DAÑO YA SEA BASADO EN CONTRATO, PERJUICIO, U OTROS. LA RESPONSABILIDAD TOTAL DE LG, EN CASO EXISTA, NO EXCEDERÁ EL PRECIO QUE USTED PAGÓ POR ADQUIRIR EL PRODUCTO.**

**ALGUNOS ESTADOS NO PERMITEN LA EXCLUSIÓN O LIMITACIÓN DE DAÑOS INCIDENTALES O EMERGENTES, O LIMITACIONES A LA DURACIÓN DE LA GARANTÍA IMPLÍCITA, POR LO QUE LA EXCLUSIONES O LIMITACIONES ANTERIORES PODRÍAN NO CORRESPONDER EN SU CASO. ESTA GARANTÍA LIMITADA LE OTORGA DERECHOS LEGALES ESPECÍFICOS, Y ES POSIBLE QUE USTED CUENTE CON OTROS DERECHOS, QUE VARÍAN SEGÚN EL ESTADO.**

## 54 GARANTÍA LIMITADA

### ESTA GARANTÍA LIMITADA NO CUBRE LO SIGUIENTE:

- Viajes del servicio técnico para entregar, buscar o instalar el producto, instruir al cliente sobre la operación del mismo, corregir el cableado o las reparaciones/instalaciones no autorizadas.
- Daño o fallo del producto al operar durante fallas e interrupciones del suministro eléctrico, o resultado de un servicio eléctrico inadecuado.
- Daños o fallos del Producto causados por tuberías de agua rotas o con fugas, tuberías de agua congeladas, líneas de desagüe obstruidas, suministro de agua inadecuado o interrumpido, o suministro de aire inadecuado.
- Daños o fallos del Producto causados por operar el Producto en una atmósfera corrosiva o contraria a las instrucciones detalladas en el manual del usuario del Producto.
- Daños o fallos del Producto causados por accidentes, pestes y alimañas, rayos, viento, incendio, inundaciones, causas de fuerza mayor, o cualquier otra causa fuera del control de LG.
- Daños o fallos del Producto causados por modificaciones o alteraciones no autorizadas, o por utilizar el Producto para fines distintos de lo previsto, o pérdida de agua cuando el Producto no se instaló adecuadamente.
- Daños o fallos del Producto causados por corriente eléctrica o voltaje incorrectos, o códigos de cañería.
- Daños o fallos del Producto causados por el transporte, almacenamiento o manipulación, incluidos rayas, muescas, astillados u otros daños al acabado, a menos que tales defectos se informen en el plazo de una (1) semana a partir de la entrega.
- Daños o fallos del Producto causados por mal uso, abuso, instalación, reparación o mantenimiento incorrectos. Una reparación incorrecta incluye el uso de piezas no autorizadas, aprobadas o especificadas por LG. La instalación o el mantenimiento inadecuado incluye aquellos contrarios a lo especificado en el manual del usuario del Producto.
- Daños o fallos del Producto causados por el uso de piezas, componentes, accesorios, productos de limpieza consumibles, u otros productos o servicios no autorizados por LG.
- Daños o artículos faltantes con la caja abierta o que hayan estado en exhibición.
- Productos reacondicionados o cualquier producto vendido con los avisos "En el estado actual", "En el sitio actual", "Con todos sus defectos" o similares.
- Productos cuyos números de serie originales hayan sido retirados, alterados o no se puedan determinar fácilmente.
- Aumentos en los costos de los servicios públicos y otros gastos adicionales de dichos servicios.
- Cualquier ruido asociado con la operación normal.
- Productos utilizados de otra forma que no sea uso doméstico usual y normal (p. ej., uso comercial o industrial) o de forma contraria al manual del usuario del Producto.
- Costos asociados con la remoción y reinstalación del Producto para reparaciones o la remoción y reinstalación del Producto si está instalado en una ubicación inalcanzable o no está instalado de acuerdo con el Manual del propietario del producto.
- Accesorios, componentes extraíbles o partes consumibles (por ejemplo, estantes, compartimentos de la puerta, cajones, filtros de agua o aire, rejillas, bombillas, baterías, etc. según corresponda), excepto las partes internas/funcionales cubiertas por esta garantía limitada.

**El costo de reparación o reemplazo en estas circunstancias excluidas estará a cargo de Usted.**

PARA OBTENER SERVICIO EN GARANTÍA E INFORMACIÓN ADICIONAL

Llame al 1-800-243-0000 y seleccione la opción apropiada desde el menú.

O visite nuestro sitio web en <http://www.lg.com>

O por correo: LG Electronics Customer Service P.O. Box 240007 Huntsville, AL 35813 ATTN: CIC

### PROCEDIMIENTO PARA RESOLVER CONFLICTOS:

TODOS LOS CONFLICTOS ENTRE USTED Y LG QUE SURJAN FUERA DE O RELACIONADOS DE ALGUNA MANERA CON ESTA GARANTÍA LIMITADA O CON EL PRODUCTO, SE RESOLVERÁN EXCLUSIVAMENTE A

TRAVÉS DE UN ARBITRAJE VINCULANTE Y NO EN UNA CORTE DE JURISDICCIÓN GENERAL. ARBITRAJE VINCULANTE SIGNIFICA QUE USTED Y LG RENUNCIAN AL DERECHO DE UN JUICIO CON JURADO Y A REALIZAR O PARTICIPAR EN UNA DEMANDA COLECTIVA.

**Definiciones.** Para el propósito de esta sección, las referencias a “LG” significan: LG Electronics U.S.A., Inc., sus empresas matrices, subsidiarias y filiales y cada uno de sus directivos, directores, empleados, agentes, beneficiarios, predecesores en interés, sucesores, cesionarios y proveedores; las referencias a “conflicto” o “reclamación” incluirán cualquier conflicto, reclamo o controversia de cualquier tipo, sin importar (ya sea basado en contrato, agravio, estatuto, regulación, ordenanza, fraude, falsa representación o cualquier teoría legal o equitativa) que surja de o esté relacionada con cualquier forma de venta, condición o desempeño del producto o de esta Garantía Limitada.

**Aviso de disputa.** En caso de que usted desee iniciar un procedimiento de arbitraje, primero debe notificar a LG por escrito al menos 30 días antes de iniciar el arbitraje enviando una carta a LG a LG Electronics, USA, Inc. Atención: Legal Department- Arbitration 111 Sylvan Avenue, Englewood Cliffs, NJ 07632. Usted y LG aceptan participar en discusiones de buena fe en un intento de resolver su reclamo de manera amistosa. En la carta debe proporcionar su nombre, dirección y número de teléfono; identificar el producto que es objeto de la reclamación; y describir la naturaleza del reclamo y el remedio que busca. Si usted y LG no pueden resolver la disputa dentro de 30 días, cualquiera de las partes puede proceder a presentar una demanda de arbitraje.

**Acuerdo de arbitraje vinculante y renuncia de demanda colectiva.** En caso de no resolver la disputa durante el período de 30 días después de enviar una notificación por escrito a LG, Usted y LG se comprometen a resolver cualquier reclamo entre nosotros, solamente a través de arbitraje vinculante sobre una base individual, a menos que usted se excluya, conforme a lo dispuesto a continuación. Cualquier conflicto entre usted y LG no estarán combinados o consolidados con una controversia relacionada con cualquier otro producto o reclamo de otra persona o entidad. Más específicamente y sin perjuicio de lo anterior, no procederá bajo ninguna circunstancia cualquier disputa entre usted y LG como parte de una acción colectiva o representativa. En lugar del arbitraje, cualquiera de las partes podrá iniciar una acción individual en la corte de reclamos menores, pero tales acciones en la corte de reclamos menores no podrán ser realizadas en una acción colectiva o representativa.

**Normas y procedimientos de arbitraje.** Para comenzar con el arbitraje de un reclamo, usted o LG deben realizar una demanda escrita para arbitraje. El arbitraje será administrado por la Asociación Americana de Arbitraje (AAA) y se llevará a cabo ante un árbitro único bajo las Normas de Arbitraje del Consumidor de la AAA, que tienen efecto al momento de inicio del arbitraje (en adelante “Normas de la AAA”) y bajo los procedimientos establecidos en esta sección. Las Normas de la AAA están disponibles en línea en [www.adr.org/consumer](http://www.adr.org/consumer). Envíe una copia de su solicitud de arbitraje por escrito, así como una copia de esta disposición, a la AAA de la forma descrita en las Normas de la AAA. También debe enviar una copia de su solicitud por escrito a LG en LG Electronics, USA, Inc. Atención: Legal Department- Arbitration 111 Sylvan Avenue, Englewood Cliffs, NJ 07632. Si hay un conflicto entre las Normas de la AAA y las reglas establecidas en esta sección, prevalecerán dichas reglas de esta sección. Esta disposición de arbitraje se rige por la Ley Federal de Arbitraje. El juicio se puede introducir en el laudo arbitral en cualquier tribunal de jurisdicción competente. Todos son temas para que el árbitro tome sus decisiones, excepto aquellos asuntos relativos al alcance y aplicabilidad de la cláusula de arbitraje y de la capacidad de arbitraje de la controversia para que el tribunal decida. El árbitro se regirá por los términos de esta disposición.

**Legislación vigente.** La legislación del estado de su residencia regirá esta Garantía Limitada, así como todas las disputas entre nosotros, salvo que sea invalidada o inconsistente con leyes federales aplicables.

**Tarifas / Costos.** Usted no debe pagar ninguna tarifa para comenzar un arbitraje. Al recibir su solicitud de arbitraje por escrito, LG pagará todos los gastos administrativos rápidamente a la AAA, a menos que usted solicite más de \$25,000.00 por daños, en cuyo caso el pago de estos gastos se regirá por las Normas de la AAA. Salvo disposición contraria prevista en el presente documento, LG pagará a la AAA todos los gastos documentales, administrativos y de arbitraje para cualquier arbitraje iniciado, de conformidad con las Normas de la AAA y esta disposición de arbitraje. Si usted prevalece en el arbitraje, LG pagará los honorarios y gastos de sus abogados, siempre y cuando sean razonables, considerando factores que incluyen, entre otros, el monto de la compra y el monto del reclamo. No obstante lo anterior, si la ley aplicable permite una adjudicación de honorarios y gastos razonables de abogados, un árbitro puede otorgarlos en la misma medida que lo haría un tribunal. Si el árbitro considera que la sustancia de su reclamo o la reparación solicitada en la demanda es frívola o se utiliza para un propósito inadecuado (calificado según las normas establecidas en la Norma Federal de Procedimiento Civil 11 (b)), el pago de todos los honorarios de arbitraje se regirá por las Normas de la AAA. En tal situación usted se compromete

## 56 GARANTÍA LIMITADA

---

a reembolsar a LG todos los fondos erogados previamente por ella, cuyo pago es, por otra parte, su obligación, según las Normas de la AAA. Salvo disposición contraria, LG renuncia a cualquier derecho que pudiera tener para solicitarle los honorarios y gastos de sus abogados, si LG prevalece en el arbitraje.

**Audiencias y ubicación.** Si su reclamo es por \$25,000 o menos, usted puede optar que el arbitraje sea realizado únicamente sobre la base de: (1) documentos presentados al árbitro, (2) a través de una audiencia telefónica o (3) por una audiencia en persona, según lo establecido por las Normas de la AAA. Si su reclamo excede \$25,000, el derecho a una audiencia estará determinado por las Normas de la AAA. Cualquier audiencia de arbitraje en persona se realizará en un lugar dentro del distrito judicial federal en el cual reside, a menos que ambos acuerden otra ubicación o estemos de acuerdo con el arbitraje telefónico.

**Exclusión.** Usted puede quedarse fuera de este procedimiento de resolución de la disputa. Si se excluye, ni usted ni LG pueden solicitar al otro que participe en un procedimiento de arbitraje. Para excluirse usted debe enviar una notificación a LG, en un lapso de hasta 30 días continuos, contados a partir de la fecha de la primera compra del consumidor del producto, ya sea por: (i) el envío de un correo electrónico a [optout@lge.com](mailto:optout@lge.com) con el siguiente Asunto: "Exclusión del arbitraje" o (ii) llamada al 1-800-980-2973. Debe incluir en el correo electrónico de exclusión o suministrar por teléfono: (a) su nombre y dirección; (b) la fecha en la cual el producto fue comprado; (c) el nombre o el número del modelo del producto; y (d) el número del serial (el número del serial puede ser hallado (i) en el producto, o (ii) en la dirección de <https://www.lg.com/us/support/repair-service/schedule-repair-continued> al hacer clic en "Find My Model & Serial Number").

Sólo puede excluirse del procedimiento de resolución de conflictos en la forma descrita anteriormente (es decir, por correo electrónico o por teléfono); ninguna otra forma de notificación será efectiva para hacerlo. Excluirse de este procedimiento de resolución de controversias no afectará de ninguna manera la cobertura de la Garantía Limitada, por lo que usted continuará disfrutando de todos sus beneficios. Si conserva este producto y no se excluye, usted acepta todos los términos y condiciones de la cláusula de arbitraje descrita anteriormente.



Balayez le code QR pour consulter le manuel.



# MANUEL D'UTILISATION

# RÉFRIGÉRATEUR PORTE À

# DEUX BATTANTS

Veuillez lire soigneusement le présent manuel d'utilisation avant de faire fonctionner l'appareil et conservez-le à portée de la main pour le consulter en tout temps. Cette version abrégée traite d'avis sécuritaires pour l'utilisateur, précautions et informations d'installation.

Pour consulter le manuel intégral, vous pouvez :

1. Manuel en ligne : visitez le site Web LG à : <http://gscs-manual.lge.com/Total/HQ/GatewayPage/main.html> ou scannez le code QR ici-haut ; ou alors
2. Copie PDF imprimable : visitez [lg.com](http://lg.com) et recherchez votre numéro de modèle ; ou alors
3. Appelez ou écrivez au service à la clientèle tel que prévu à la section garantie limitée.

## FRANÇAIS

LRFDS3006\*, LRFVS3006\*, LRFVC2406\*, LRFXC2406\*, LRFDS3016\*, LRFXC2416\*, LRFDC2406\*,  
LRMDS3006\*, LRMVS3006\*, LRMDC2306\*, LRMVC2306\*, LLMXS3006\*, LRMXS3006\*, LRFOC2606\*,  
LRFGC2706\*, LRFLC2706\*, LRFXC2606\*, LLFGC2706\*, LRYKS3106\*, LRYXS3106\*, LRYKC2606\*,  
LRYXC2606\*, LCFC26XS\*, LF29S8250\*, LF30S8210\*, LF29S8330\*, LF29H8330\*, LF30H8210\*,  
LRFXS3106\*, LRFLS3206\*, LF29S8230\*, LF25G8330\*, LF25C8330\*, LF26G8210\*, LLFOC2606\*,  
LF31S6360\*, LF26C6360\*

[www.lg.com](http://www.lg.com)

Copyright © 2023-2024 LG Electronics Inc. Tous droits réservés

2

## TABLE DES MATIÈRES

### 3 CONSIGNES DE SÉCURITÉ IMPORTANTES

---

55 Canada

- 3 LISEZ TOUTES LES CONSIGNES AVANT L'UTILISATION
- 3 AVERTISSEMENTS
- 7 MISES EN GARDE

### 9 APERÇU DU PRODUIT

---

- 9 Caractéristiques du produit

### 12 INSTALLATION

---

- 12 Avant l'installation
- 13 Choix de l'emplacement adéquat
- 18 Retrait et assemblage des poignées
- 19 Retrait et assemblage des portes et des tiroirs
- 25 Raccord du réfrigérateur à l'alimentation en eau
- 27 Nivellement et alignement de la porte
- 29 Mise en marche

### 30 FONCTIONNEMENT

---

- 30 Manuel du propriétaire en ligne
- 30 Panneau de commande
- 37 InstaView
- 37 Mode Sabbat
- 38 Machine à glaçons automatique et distributeur d'eau
- 38 Machine à glaçons automatique
- 41 Tiroir Full Convert<sup>MC</sup>

### 42 FONCTIONS INTELLIGENTES

---

- 42 Application LG ThinQ
- 44 Fonction Smart Grid

### 46 ENTRETIEN

---

- 46 Nettoyage
- 47 Filtre à air
- 47 Filtre à eau

### 53 DÉPANNAGE

---

- 53 FAQ
- 54 Avant d'appeler le réparateur

### 55 GARANTIE LIMITÉE

---

# CONSIGNES DE SÉCURITÉ IMPORTANTES

## LISEZ TOUTES LES CONSIGNES AVANT L'UTILISATION

FRANÇAIS

### Messages de sécurité

**Il est très important d'assurer votre sécurité et celle des autres.**

Nous fournissons de nombreux conseils de sécurité importants dans ce manuel et sur votre appareil. Lisez toujours l'ensemble des messages de sécurité et respectez-les.



Ceci est le symbole d'alerte de sécurité.

Ce symbole vous alerte de dangers potentiels qui peuvent causer la mort ou des blessures. Tous les messages de sécurité seront précédés du symbole d'alerte de sécurité et du terme AVERTISSEMENT ou MISE EN GARDE.

Voici le message que ces mots véhiculent :



#### AVERTISSEMENTS

Vous pouvez être tué ou gravement blessé si vous ne suivez pas les consignes.



#### MISES EN GARDE

Vous pouvez être légèrement blessé ou pouvez endommager le produit si vous ne suivez pas les consignes.

Tous les messages de sécurité vous indiqueront quel est le danger potentiel, comment réduire les risques de blessures et ce qui peut se produire en cas de non-respect des consignes.

## AVERTISSEMENTS



### AVERTISSEMENT

- Pour réduire les risques d'explosion, d'incendie, de mort, de décharge électrique, de brûlure ou de blessures lors de l'utilisation de l'appareil, prenez les précautions élémentaires, y compris les suivantes :

### Installation

- Pour réduire le risque de blessures, veuillez suivre toutes les procédures de sécurité recommandées par l'industrie, ce qui inclut le port de lunettes de sécurité et de longs gants.
- N'essayez jamais d'utiliser cet appareil s'il est endommagé, défectueux ou partiellement désassemblé, s'il manque des pièces ou si des pièces, incluant le câble et la fiche, sont endommagées.
- Branchez seulement cet appareil sur une prise électrique mise à la terre dont la valeur nominale convient à celui-ci (115 V, 60 Hz, c.a. uniquement). L'utilisateur est responsable du remplacement de la prise de courant murale standard à deux broches par une prise de courant murale standard à trois broches.
- N'utilisez pas une prise de courant qui peut être mise hors fonction à l'aide d'un interrupteur. N'utilisez pas de rallonge.
- L'appareil doit être placé de façon à ce que la source d'alimentation soit facilement accessible.
- Lorsque vous déplacez l'appareil, soyez prudent et évitez d'écraser le cordon d'alimentation ou de l'endommager.
- Communiquez avec un centre de services autorisé lorsque vous installez l'appareil ou que vous le remplacez à un nouvel endroit.
- Ne coupez ni n'enlevez jamais la broche de mise à la terre du câble d'alimentation.

## 4 CONSIGNES DE SÉCURITÉ IMPORTANTES

---

- Gardez le matériel d'emballage hors de portée des enfants. Le matériel d'emballage pose un danger pour les enfants. Il y a un risque de suffocation.
- N'installez pas l'appareil dans un endroit humide ou poussiéreux, où les matériaux isolants qui se trouvent sur les composants électriques pourraient se détériorer.
- N'exposez pas l'appareil directement à la lumière du soleil ou à la chaleur produite par des appareils comme un four ou un appareil de chauffage.
- Ne pliez pas ou ne pincez pas le cordon d'alimentation de façon excessive; ne placez pas d'objets lourds sur celui-ci.
- Lorsque vous placez l'appareil, veillez à ce que le cordon d'alimentation ne soit pas coincé ou endommagé.
- Ne placez pas de prises de courant multiples ou de blocs d'alimentation portables à l'arrière de l'appareil.

## FONCTIONNEMENT

- Cet appareil est conçu pour être utilisé à des fins domestiques et à d'autres fins de ce type, par exemple :
  - dans le coin cuisine du personnel de magasins, de bureaux et d'autres environnements de travail;
  - dans les fermes et par les clients des hôtels, des motels et d'autres environnements de type résidentiel;
  - dans des environnements comme les gîtes;
  - pour des applications dans le domaine de la restauration et de la vente en gros.
- Cet appareil n'est pas destiné à être utilisé dans des installations portables ou mobiles, telles que les bateaux ou les VR, où il sera en mouvement pendant qu'il fonctionne.
- Cet appareil n'est pas destiné à être utilisé par des personnes (y compris des enfants) dont les capacités physiques, mentales ou sensorielles sont réduites, ou qui n'ont pas l'expérience ou les connaissances pour le faire, à moins d'avoir reçu des instructions et d'avoir été supervisées par une personne responsable de leur sécurité.
- L'appareil n'est pas conçu pour être utilisé à des fins spéciales, comme l'entreposage de médicaments ou de matériel d'essai, ni pour être utilisé sur des bateaux, etc.
- NE permettez PAS aux enfants de grimper ou de se tenir sur les portes de l'appareil ou les tablettes à l'intérieur de celui-ci, ni de s'accrocher à ces mêmes portes et tablettes. Ils pourraient endommager le réfrigérateur et se blesser sérieusement.
- Ne permettez pas aux enfants de grimper à l'intérieur de l'appareil. Ils pourraient demeurer coincés et suffoquer.
- La surveillance des enfants est requise afin de s'assurer qu'ils ne jouent pas avec l'appareil.
- Gardez vos doigts à distance des zones de coincement; les dégagements entre les portes et les armoires sont inévitablement réduits. Soyez prudent lorsque vous fermez les portes de l'appareil et que des enfants se trouvent à proximité de celui-ci.
- Ne touchez pas les aliments surgelés ou les composants métalliques du congélateur si vos mains sont mouillées ou humides. Cela pourrait entraîner des gelures.
- Ne recongelez pas des aliments surgelés qui ont été complètement décongelés. Cela pourrait être dangereux pour la santé.
- N'utilisez pas de fiche d'adaptation et ne branchez pas la fiche d'alimentation électrique sur une rallonge électrique à prises multiples.
- Si le cordon d'alimentation électrique est endommagé, il doit être remplacé par le fabricant ou par son agent de service ou encore une personne qualifiée possédant ce type de compétences pour éviter un risque.
- Ne faites pas fonctionner le réfrigérateur et ne touchez pas le cordon d'alimentation si vos mains sont mouillées.
- Ne modifiez et ne prolongez pas le cordon d'alimentation.



- N'utilisez pas une prise de courant non homologuée. Ne branchez pas l'appareil sur une prise de courant murale si celle-ci est endommagée.
- Ne placez pas vos pieds ou vos mains, ou encore des objets dans les événements d'aération ou au bas du réfrigérateur. Cela pourrait causer des blessures ou provoquer une décharge électrique.
- En cas de fuite de gaz (propane, GPL), assurez-vous que les lieux sont bien ventilés et contactez un centre de services autorisé avant de remettre l'appareil en fonction. Ne touchez pas l'appareil ou son cordon d'alimentation.
- Si un bruit étrange, une odeur particulière ou de la fumée provient de l'appareil, débranchez le cordon d'alimentation sur-le-champ et contactez un centre de services autorisé.
- N'utilisez pas de fusible (comme du cuivre, un fil d'acier), à l'exception d'un fusible standard.
- Ne placez pas d'animaux à l'intérieur de l'appareil.
- Ne placez pas d'objets lourds ou fragiles, de contenants remplis de liquide, de produits combustibles ou d'objets inflammables (comme des bougies et des lampes) sur l'appareil.
- En cas de branchement sur un circuit protégé par des fusibles, utilisez un fusible temporisé.
- Maintenez libres de toute obstruction les ouvertures de ventilation qui se trouvent dans l'enceinte de l'appareil ou dans la structure intégrée.
- N'utilisez pas de dispositifs mécaniques ou d'autres moyens pour accélérer le processus de dégivrage autres que ceux recommandés par le fabricant.
- N'utilisez pas d'appareils électriques à l'intérieur des compartiments pour nourriture de l'appareil, sauf s'ils sont du type recommandé par le fabricant.
- Ne rangez pas de substances explosives telles que des aérosols avec un gaz propulseur inflammable dans cet appareil.
- Si le diviseur **Durabase** est retiré du tiroir du congélateur, il y a suffisamment d'espace à l'intérieur pour qu'un petit enfant ou un animal domestique puisse y pénétrer. Pour empêcher qu'un enfant ou un animal domestique y reste enfermé et suffoque, NE laissez PAS les enfants et les animaux domestiques toucher le tiroir ou s'en approcher.
- N'endommagez pas le circuit frigorifique.
- Cet appareil est doté d'une mise à la terre à des fins fonctionnelles.
- Branchez l'appareil à une source d'eau potable seulement.
  - Si vous êtes raccordé à une alimentation en eau, raccordez-le uniquement à une alimentation en eau potable.
- Utilisez uniquement de l'eau potable.
  - Si vous utilisez une machine à glaçons ou un réservoir d'eau de distributeur, veillez à le remplir uniquement d'eau potable.

## Entretien

- N'utilisez pas de séchoir à cheveux pour sécher l'intérieur de l'appareil.
- N'allumez pas de bougie pour dissiper les odeurs à l'intérieur de l'appareil.
- Si une fuite de frigorigène survient, éloignez les objets inflammables de l'appareil. Assurez-vous que les lieux sont bien ventilés et contactez un centre de services autorisé.
- Éloignez du réfrigérateur toutes les matières et vapeurs inflammables comme l'essence.
- Débranchez l'appareil de la fiche d'alimentation avant de le nettoyer ou de le réparer.
- L'éclairage à l'intérieur du réfrigérateur et du congélateur est un éclairage à DEL, et son entretien doit être réalisé par un technicien qualifié.
- Débranchez l'appareil de la fiche d'alimentation immédiatement si une panne de courant ou un orage survient.
- Éteignez l'alimentation de l'appareil si de l'eau ou de la poussière pénètre à l'intérieur de celui-ci. Appelez un agent du centre de services.

## 6 CONSIGNES DE SÉCURITÉ IMPORTANTES

- Ne placez pas de contenants en verre ni de boissons gazeuses dans le congélateur. Le contenu liquide peut prendre de l'expansion lorsqu'il est congelé, endommager le contenant et causer des blessures.
- N'entreposez pas, ne démontez pas et ne réparez pas l'appareil vous-même, et ne laissez pas un employé non qualifié le faire.

### Mise au rebut

- Risque de piégeage d'enfants. Les appareils abandonnés sont dangereux, même si cette situation ne dure que quelques jours. Lorsque vous voulez mettre l'appareil au rebut, retirez les matériaux d'emballage des portes ou retirez les portes en laissant les tablettes en place afin que les enfants ne puissent pas grimper facilement à l'intérieur de l'appareil.
- Si vous souhaitez mettre le réfrigérateur au rebut, assurez-vous que le frigorigène et la mousse isolante ont été retirés et seront éliminés de façon adéquate par un centre de services autorisé. Si vous êtes responsable d'une fuite de frigorigène ou jetez la mousse isolante, vous pourriez être passible d'une amende ou d'un emprisonnement en vertu des lois environnementales applicables. La mousse isolante contient des gaz agissant comme agents de gonflement.
- Lorsque vous mettez l'appareil au rebut, retirez le joint d'étanchéité de la porte en laissant les tablettes et les bacs en place, et tenez les enfants à l'écart de l'appareil.

### Instructions de mise à la terre

- La connexion incorrecte du conducteur pour relier les appareils à la terre peut créer un risque de décharge électrique. Vérifiez avec un électricien compétent ou un personnel de service si vous n'êtes pas certain que l'appareil est correctement mis à la terre. Ne modifiez pas la fiche fournie avec l'appareil; si elle ne rentre pas dans la prise, faites installer une prise appropriée par un électricien compétent.
- Assurez-vous qu'un électricien qualifié examine la prise de courant murale et le câblage, et qu'il confirme que la mise à la terre est adéquate.
- Ne débranchez jamais l'appareil en tirant sur le cordon d'alimentation. Tenez toujours la fiche fermement pour la retirer de la prise. Le non-respect de cette consigne peut endommager le cordon d'alimentation, ce qui peut causer un incendie ou entraîner une décharge électrique.

### Risque d'incendie et matériaux inflammables



Ce symbole vous avertit de la présence de matériaux inflammables qui peuvent s'enflammer et provoquer un incendie si vous n'y prenez pas garde.

Cet appareil contient une petite quantité de réfrigérant isobutane (R600a), qui est combustible. Lors du transport et de l'installation de l'appareil, veillez à ce qu'aucune partie du circuit frigorifique ne soit endommagée. En cas de fuite du réfrigérant, celui-ci pourrait s'enflammer ou provoquer une blessure aux yeux. Si une fuite est détectée, éloignez les flammes nues ou les sources potentielles d'inflammation et aérez la pièce dans laquelle l'appareil se trouve pendant plusieurs minutes.

Afin d'éviter la formation d'un mélange d'air et de gaz inflammable en cas de fuite dans le circuit frigorifique, la taille de la pièce dans laquelle l'appareil est utilisé est déterminée selon la quantité de réfrigérant utilisée. La pièce doit avoir une taille de 10,8 pi (1 m) pour chaque 8 g de réfrigérant R600a dans l'appareil. La quantité de réfrigérant qui se trouve dans votre appareil est indiquée sur la plaque d'identification située à l'intérieur de celui-ci. Ne mettez jamais en marche un appareil qui présente des signes de dommages. En cas de doute, consultez votre revendeur.

## MISES EN GARDE

### MISE EN GARDE

- Pour réduire les risques de blessures mineures, de pannes ou de dommages causés à l'appareil ou à la propriété lors de l'utilisation de l'appareil, prenez les précautions élémentaires, y compris les suivantes :

FRANÇAIS

### Installation

- N'installez pas l'appareil à un endroit à partir duquel il risque de tomber.
- L'appareil doit être installé correctement, conformément aux instructions d'installation.

### FONCTIONNEMENT

- L'appareil est conçu pour être utilisé seulement à des fins domestiques et à d'autres fins de ce type.
- Ne grattez pas le réfrigérateur avec un objet pointu et n'utilisez pas de détergent qui contient de l'alcool, du liquide inflammable ou une substance abrasive pour retirer le ruban adhésif ou la colle du réfrigérateur. Enlevez les résidus de colle en les essuyant avec votre pouce ou du détergent à vaisselle.
- Ne retirez pas l'étiquette du numéro de modèle ou de série ou les informations techniques sur la surface arrière du réfrigérateur.
- Attendez que les aliments aient refroidi avant de les placer dans le réfrigérateur, sinon ils pourraient se gâter ou laisser une mauvaise odeur tenace à l'intérieur du réfrigérateur.
- Tenez vos mains et vos outils à l'écart de la porte et de la goulotte de distribution du compartiment à glaçons. Le non-respect de ces consignes peut entraîner des dommages ou des blessures.
- Gardez la porte du compartiment à glaçons fermée hermétiquement; sinon, l'air froid du compartiment à glaçons provoquera la congélation des aliments placés dans le réfrigérateur. Cela peut aussi interrompre le fonctionnement de la machine à glaçons.
- Le stockage de cannettes ou d'autres articles dans le bac à glaçons pourrait endommager la machine à glaçons.
- Ne conservez que de la glace dans le bac à glaçons. Ne rangez pas d'outils pour ramasser de la glace ou d'autres articles dans le bac à glaçons.
- Il se peut que la glace déborde lorsque vous retirez ou assemblez le bac à glaçons. Retirez toute la glace qui se trouve dans la zone du bac avant de l'assembler.
- Assurez-vous que le bac à glaçons est assemblé dans le bon sens, de l'avant à l'arrière.
- Modèles avec deux bacs à glaçons dans le congélateur :
  - Le bac à glaçons **Craft Ice** est situé à gauche et le bac **Mini Cubed Ice** est situé à droite. Ne changez pas la position des deux bacs à glaçons.
  - Ne rangez pas le bac **Craft Ice** dans le bac **Mini Cubed Ice**, ou le bac **Mini Cubed Ice** dans le bac **Craft Ice**.
- N'utilisez jamais de la verrerie ou de la vaisselle en cristal pour recueillir la glace. Ces récipients peuvent se casser ou éclater en projetant des fragments de verre parmi les glaçons.
- Seuls les techniciens qualifiés d'un centre de service de LG Electronics peuvent démonter ou réparer la machine à glaçons.
- Lorsque vous manipulez le bac à glaçons, gardez vos mains loin de la zone du plateau de la machine à glaçons pour éviter de vous blesser.
- Lorsque vous remplacez le bac à glaçons, évitez de toucher le dispositif d'arrêt automatique (levier). Pour obtenir des précisions, consultez l'étiquette sur la porte du compartiment à glaçons.
- N'utilisez pas d'aérosols à proximité de l'appareil.
- N'appliquez pas une force excessive et ne frappez pas sur toute surface de verre. Ne touchez pas les surfaces de verre si elles sont fissurées ou endommagées.

## 8 CONSIGNES DE SÉCURITÉ IMPORTANTES

---

- Ne placez pas trop d'articles ou des articles trop rapprochés les uns des autres dans les balconnets. Cela pourrait endommager les balconnets ou causer des blessures aux utilisateurs si les articles sont retirés des balconnets avec force.
- Ne rangez pas de contenants en verre dans le congélateur. Le contenu liquide peut prendre de l'expansion lorsqu'il est congelé, endommager le contenant et causer des blessures.
- Les étagères en verre sont lourdes. Soyez particulièrement prudent lorsque vous les retirez.
- Ne nettoyez pas les tablettes en verre avec de l'eau chaude lorsqu'elles sont froides. Elles pourraient se briser si elles sont exposées à des changements brusques de température ou à des impacts. Vous pourriez être blessé.
- Assurez-vous que les étagères sont d'aplomb d'un côté à l'autre. Ne pas le faire peut provoquer la chute de l'étagère ou des aliments.
- Détachez et lavez régulièrement les bacs de rangement et les étagères, qui peuvent être facilement contaminés par la nourriture.
- N'usez pas de force excessive lors du retrait ou du montage des bacs de rangement.
- N'utilisez pas le lave-vaisselle pour nettoyer les bacs de rangement et les étagères.

### Entretien

- N'utilisez pas de puissants détergents comme de la cire ou des diluants pour nettoyer l'appareil. Nettoyez-le à l'aide d'un linge doux.
- Retirez les corps étrangers (comme la poussière et l'eau) des zones de contact et des broches de la fiche d'alimentation. N'utilisez pas de linge mouillé ou humide pour nettoyer la fiche.
- Ne vaporisez pas d'eau directement sur les surfaces intérieures ou extérieures de l'appareil.
- Ne nettoyez pas les tablettes ou les couvercles en verre avec de l'eau chaude lorsqu'ils sont froids. Une exposition à un changement brusque de température peut les endommager.

**GARDEZ CES CONSIGNES**

# APERÇU DU PRODUIT

## Caractéristiques du produit

Les illustrations contenues dans ce manuel peuvent être différentes des composants et accessoires réels, et ceux-ci peuvent être modifiés sans préavis par le fabricant dans le but d'améliorer le produit.

### Caractéristiques du produit

L'aspect et les caractéristiques énumérés dans le présent manuel peuvent varier en raison des constantes améliorations apportées au produit.

**Exigences électriques :** 115 V, 60 Hz

**Pression de l'eau min./max. :** 20 à 120 psi (138 à 827 kPa)

Modèle	Description	Poids net
LRFDS3006*	Réfrigérateur à porte à deux battants de profondeur normale avec système Porte dans la porte, avec congélateur inférieur	331 lb (150 kg)
LRFDS3016*	Réfrigérateur à porte à deux battants de profondeur normale avec système Porte dans la porte, avec congélateur inférieur, Craft Ice	328 lb (149 kg)
LRFVS3006*	Réfrigérateur à porte à deux battants de profondeur normale avec système Porte dans la porte et technologie InstaView, avec congélateur inférieur, Craft Ice	337 lb (153 kg)
LRFXC2406*	Réfrigérateur à porte à deux battants de profondeur de comptoir, avec congélateur inférieur	276 lb (125 kg)
LRFXC2416*	Réfrigérateur à porte à deux battants de profondeur de comptoir, avec congélateur inférieur, Craft Ice	276 lb (125 kg)
LRFDC2406*	Réfrigérateur à porte à deux battants de profondeur normale avec système Porte dans la porte, avec congélateur inférieur, Craft Ice	298 lb (135 kg)
LRFVC2406*	Réfrigérateur à profondeur de comptoir avec porte à deux battants, système Porte dans la porte InstaView, congélateur inférieur et Craft Ice	306 lb (139 kg)
LRMDS3006*	Réfrigérateur à porte à deux battants de profondeur normale avec système Porte dans la porte, avec congélateur inférieur, Craft Ice	357 lb (162 kg)
LRMVS3006*	Réfrigérateur à porte à deux battants de profondeur normale avec système Porte dans la porte et technologie InstaView, avec congélateur inférieur, Craft Ice	362 lb (164 kg)
LRMVC2306*	Réfrigérateur à profondeur de comptoir avec porte à deux battants, système Porte dans la porte InstaView, congélateur inférieur et Craft Ice	333 lb (151 kg)
LRMDC2306*	Réfrigérateur à porte à deux battants de profondeur normale avec système Porte dans la porte, avec congélateur inférieur, Craft Ice	322 lb (146 kg)
LLMXS3006*	Réfrigérateur à profondeur standard doté d'une porte à deux battants, avec congélateur inférieur	331 lb (150 kg)
LRMXS3006*	Réfrigérateur à profondeur standard doté d'une porte à deux battants, avec congélateur inférieur, Craft Ice	331 lb (150 kg)
LRFOC2606*	Réfrigérateur à profondeur de comptoir avec porte à deux battants, porte InstaView et congélateur inférieur	291 lb (132 kg)

## 10 APERÇU DU PRODUIT

Modèle	Description	Poids net
LRFGC2706*	Réfrigérateur à profondeur de comptoir avec porte à deux battants, porte InstaView, congélateur inférieur et distributeur d'eau interne	276 lb (125 kg)
LRFLC2706*	Réfrigérateur à profondeur de comptoir avec porte à deux battants, congélateur inférieur et distributeur d'eau interne	249 lb (113 kg)
LRFXC2606*	Réfrigérateur à porte à deux battants de profondeur de comptoir, avec congélateur inférieur	269 lb (122 kg)
LLFGC2706*	Réfrigérateur à profondeur de comptoir avec porte à deux battants, porte InstaView, congélateur inférieur et distributeur d'eau interne	276 lb (125 kg)
LCFC26XS*	Réfrigérateur à porte à deux battants de profondeur de comptoir, avec congélateur inférieur	269 lb (122 kg)
LRYKS3106*	Réfrigérateur à porte à deux battants de profondeur normale avec système Porte dans la porte, avec congélateur inférieur	350 lb (159 kg)
LRYXS3106*	Réfrigérateur à profondeur standard doté d'une porte à deux battants, avec congélateur inférieur	313 lb (142 kg)
LRYKC2606*	Réfrigérateur à porte à deux battants de profondeur normale avec système Porte dans la porte, avec congélateur inférieur	315 lb (143 kg)
LRYXC2606*	Réfrigérateur à porte à deux battants de profondeur de comptoir, avec congélateur inférieur	277 lb (126 kg)
LF29S8250*	Réfrigérateur à profondeur standard avec porte à deux battants, porte InstaView et congélateur inférieur	333 lb (151 kg)
LF30S8210*	Réfrigérateur à profondeur standard avec porte à deux battants, congélateur inférieur et distributeur d'eau interne	291 lb (132 kg)
LF29S8330*	Réfrigérateur à profondeur standard doté d'une porte à deux battants, avec congélateur inférieur	318 lb (144 kg)
LF29H8330*	Réfrigérateur à profondeur standard doté d'une porte à deux battants, avec congélateur inférieur	320 lb (145 kg)
LF30H8210*	Réfrigérateur à profondeur standard avec porte à deux battants, congélateur inférieur et distributeur d'eau interne	294 lb (133 kg)
LRFXS3106*	Réfrigérateur à profondeur standard doté d'une porte à deux battants, avec congélateur inférieur	304 lb (138 kg)
LRFLS3206*	Réfrigérateur à profondeur standard avec porte à deux battants, congélateur inférieur et distributeur d'eau interne	284 lb (129 kg)
LF29S8230*	Réfrigérateur à profondeur standard doté d'une porte à deux battants, avec congélateur inférieur	315 lb (143 kg)
LF25G8330*	Réfrigérateur à porte à deux battants de profondeur de comptoir, avec congélateur inférieur	291 lb (132 kg)
LF25C8330*	Réfrigérateur à porte à deux battants de profondeur de comptoir, avec congélateur inférieur	289 lb (131 kg)
LF26G8210*	Réfrigérateur à profondeur de comptoir avec porte à deux battants, congélateur inférieur et distributeur d'eau interne	273 lb (124 kg)
LLFOC2606*	Réfrigérateur à profondeur de comptoir avec porte à deux battants, porte InstaView et congélateur inférieur	291 lb (132 kg)
LF31S6360*	Réfrigérateur à porte à deux battants de profondeur normale avec système Porte dans la porte, avec congélateur inférieur	340 lb (154 kg)

APERÇU DU PRODUIT 11

Modèle	Description	Poids net
LF26C6360*	Réfrigérateur à porte à deux battants de profondeur normale avec système Porte dans la porte, avec congélateur inférieur	304 lb (138 kg)

FRANÇAIS

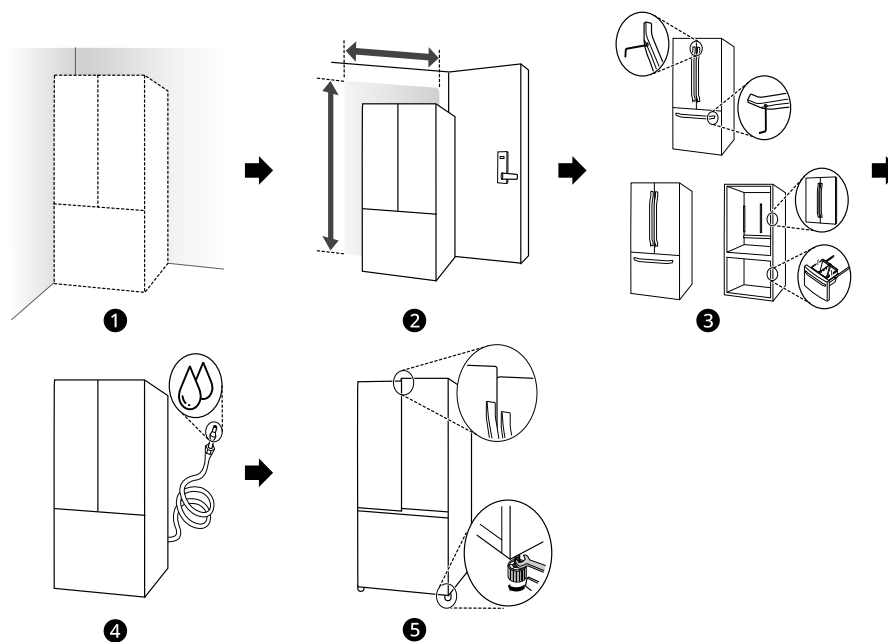
## 12 INSTALLATION

# INSTALLATION

## Avant l'installation

### Aperçu de l'installation

Veillez d'abord lire ces instructions d'installation après l'achat de ce produit ou son déplacement dans un autre lieu.



- 1 Déballage du réfrigérateur
- 2 Choix de l'emplacement adéquat
- 3 Retrait et assemblage
- 4 Raccordement de la conduite d'eau
- 5 Nivellement et alignement de la porte

### **⚠ AVERTISSEMENT**

- Branchez l'appareil à une source d'eau potable seulement.



## Déballage du réfrigérateur

### ⚠ AVERTISSEMENT

- Au moins deux personnes sont nécessaires pour déplacer et installer le réfrigérateur. Le non-respect de cette consigne pourrait entraîner des blessures, notamment au dos.
- Le réfrigérateur est lourd. Protégez le plancher lors du déplacement du réfrigérateur pour le nettoyage ou l'entretien. Déplacez toujours votre réfrigérateur en position verticale. Ne remuez pas le réfrigérateur et ne le déplacez pas en l'appuyant sur ses coins, car cela pourrait endommager le plancher.
- Éloignez du réfrigérateur toutes les matières et vapeurs inflammables comme l'essence. Le non-respect de cette consigne peut provoquer un incendie, une explosion ou la mort.

### REMARQUE

- Retirez le ruban adhésif et les étiquettes temporaires de votre réfrigérateur avant l'utilisation. N'enlevez pas les étiquettes d'avertissement, l'étiquette du numéro de modèle et de série ou la fiche technique qui se trouve sous l'avant du réfrigérateur.
- Pour supprimer des résidus de ruban adhésif ou de colle, frottez vigoureusement la surface avec le pouce. Les résidus de ruban adhésif ou de colle peuvent également être enlevés en frottant une petite quantité de savon à vaisselle liquide sur l'adhésif avec les doigts. Essuyez avec de l'eau chaude, puis séchez.
- N'utilisez pas d'instruments tranchants, d'alcool à friction, de liquides inflammables ou de nettoyants abrasifs pour enlever du ruban adhésif ou de la colle. Ces produits peuvent endommager la surface de votre réfrigérateur.
- Réinstallez ou ajustez les étagères à votre guise. Les étagères des réfrigérateurs sont installées de façon à faciliter le transport. Réinstallez les étagères selon vos besoins de rangement.

## Choix de l'emplacement adéquat

### Eau

Le réfrigérateur doit être situé à un endroit où l'alimentation en eau peut être raccordée à la machine à glaçons automatique.

### REMARQUE

- La pression d'eau doit être comprise entre 20 et 120 psi (entre 138 et 827 kPa). Si le réfrigérateur est installé à un endroit où la pression d'eau est faible (inférieure à 20 psi ou 138 kPa), vous pouvez installer une pompe d'appoint pour compenser cette pression faible.

## Électricité

Le réfrigérateur doit être branché sur sa propre prise de courant mise à la terre, dont la valeur nominale est d'au moins 115 volts, de 60 Hz c.a. et de 15 ampères.

### ⚠ AVERTISSEMENT

- En branchant d'autres électroménagers sur la prise électrique du réfrigérateur, vous risquez de surcharger les circuits électriques et de provoquer un incendie.
- Pour réduire le risque de choc électrique, ne pas installer le réfrigérateur dans un endroit mouillé ou humide.

## Plancher

Pour éviter le bruit et les vibrations, l'appareil doit être installé et mis à niveau sur un plancher stable. Au besoin, ajustez les pieds de nivellement pour compenser les inégalités du sol.

### REMARQUE

- L'installation sur des tapis, des surfaces molles, une plate-forme ou une structure faiblement soutenue n'est pas conseillée.

## Température ambiante

Installez cet appareil dans un endroit où la température est comprise entre 13 °C (55 °F) et 43 °C (110 °F).

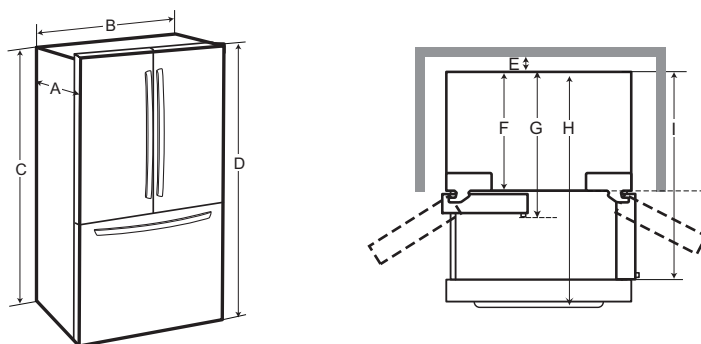
Si la température autour de l'appareil est trop basse ou trop élevée, la capacité de refroidissement peut être affectée.

Les températures internes pourraient être affectées par l'emplacement de l'appareil, la température ambiante, la fréquence de l'ouverture de la porte, et d'autres facteurs.

## 14 INSTALLATION

### Dimensions et dégagements

- Vérifiez les dimensions de l'appareil et celles des ouvertures et des portes par lesquelles il passera lors de son installation afin de vous assurer qu'il y a suffisamment d'espace pour le déplacer.
- Si une ouverture est trop étroite pour laisser passer le réfrigérateur, retirez les portes. Lisez la section Retrait et assemblage des portes et des tiroirs de ce manuel.
- L'endroit choisi pour installer le réfrigérateur doit offrir assez d'espace derrière celui-ci pour assurer une ventilation et des branchements adéquats, et suffisamment d'espace à l'avant pour ouvrir les portes et tiroirs.
- Si l'appareil est installé trop près des éléments adjacents, cela peut réduire la capacité de congélation et augmenter la consommation d'électricité. Laissez au moins 610 mm (24 pouces) à l'avant du réfrigérateur pour ouvrir les portes et au moins 50,8 mm (2 pouces) entre l'arrière du réfrigérateur et le mur.
- **Trois portes**



#### Modèles avec poignées

-	Dimensions/ dégagements	LRFVS3006* LRFDS3006* LRFDS3016*	LRFXS3106* LRFLS3206*	LRFVC2406* LRFXC2406* LRFXC2416* LRFDC2406*	LRFOC2606* LRFGC2706* LRFLC2706* LRFXC2606* LLFGC2706* LCFC26XS* LLFOC2606*
A	Profondeur sans la poignée	34 1/8 po (866 mm)	34 3/8 po (874 mm)	28 3/8 po (718 mm)	29 1/8 po (739 mm)
B	Largeur	35 3/4 po (908 mm)	35 3/4 po (908 mm)	35 3/4 po (908 mm)	35 3/4 po (908 mm)
C	Hauteur jusqu'au-dessus de la caisse	68 7/8 po (1750 mm)	68 7/8 po (1750 mm)	68 7/8 po (1750 mm)	68 7/8 po (1750 mm)
D	Hauteur jusqu'au-dessus de la charnière	70 1/4 po (1785 mm)	70 1/4 po (1785 mm)	70 1/4 po (1785 mm)	70 1/4 po (1785 mm)
E	Espace libre à l'arrière	2 po (50 mm)	2 po (50 mm)	2 po (50 mm)	2 po (50 mm)
F	Profondeur sans la porte	29 7/8 po (758 mm)	30 1/8 po (764 mm)	24 1/8 po (610 mm)	24 3/4 po (628 mm)

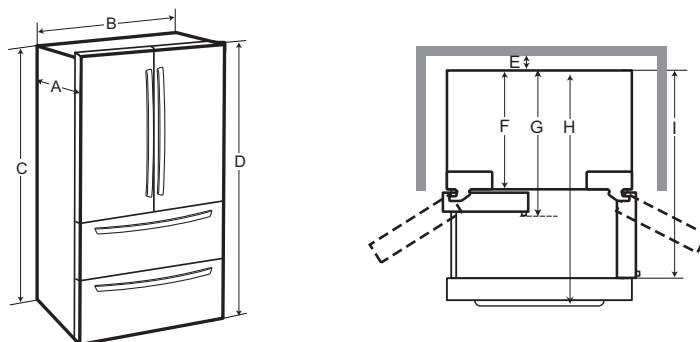
-	Dimensions/ dégagements	LRFVS3006* LRFDS3006* LRFDS3016*	LRFXS3106* LRFLS3206*	LRFVC2406* LRFXC2406* LRFXC2416* LRFDC2406*	LRFOC2606* LRFGC2706* LRFLC2706* LRFXC2606* LLFGC2706* LCFC26XS* LLFOC2606*
G	Profondeur avec la poignée	36 5/8 po (929 mm)	36 7/8 po (937 mm)	30 3/4 po (781 mm)	31 5/8 po (802 mm)
H	Profondeur (au total, avec le tiroir du congélateur ouvert)	57 3/4 po (1466 mm)	57 7/8 po (1469 mm)	47 1/4 po (1200 mm)	48 7/8 po (1239 mm)
I	Profondeur (au total, avec la porte ouverte à 90°)	48 1/2 po (1231 mm)	48 7/8 po (1240 mm)	42 3/4 po (1083 mm)	43 5/8 po (1106 mm)

**Modèles sans poignées**

-	Dimensions/dégagements	LRYKS3106* LRYXS3106* LF31S6360*	LRYKC2606* LRYXC2606* LF26C6360*
A	Profondeur sans la poignée	34 3/8 po (874 mm)	29 1/8 po (739 mm)
B	Largeur	35 3/4 po (908 mm)	35 3/4 po (908 mm)
C	Hauteur jusqu'au-dessus de la caisse	68 7/8 po (1750 mm)	68 7/8 po (1750 mm)
D	Hauteur jusqu'au-dessus de la charnière	70 1/4 po (1785 mm)	70 1/4 po (1785 mm)
E	Espace libre à l'arrière	2 po (50 mm)	2 po (50 mm)
F	Profondeur sans la porte	30 1/8 po (764 mm)	24 3/4 po (628 mm)
G	Profondeur avec la poignée	s. o.	s. o.
H	Profondeur (au total, avec le tiroir du congélateur ouvert)	55 3/8 po (1406 mm)	48 7/8 po (1239 mm)
I	Profondeur (au total, avec la porte ouverte à 90°)	48 7/8 po (1240 mm)	43 5/8 po (1106 mm)

## 16 INSTALLATION

### • Quatre portes



-	Dimensions/ dégagements	LRMDS3006* LRMVS3006* LRMXS3006* LLMXS3006*	LRMDC2306* LRMVC2306*	LF29S8250* LF30S8210* LF29S8330* LF29S8230*	LF29H8330* LF30H8210*
A	Profondeur sans la poignée	35 3/4 po (908 mm)	28 7/8 po (731 mm)	34 3/8 po (874 mm)	34 3/8 po (874 mm)
B	Largeur	35 3/4 po (908 mm)	35 3/4 po (908 mm)	35 3/4 po (908 mm)	35 3/4 po (908 mm)
C	Hauteur jusqu'au-dessus de la caisse	69 1/8 po (1753 mm)	69 1/8 po (1753 mm)	68 7/8 po (1750 mm)	68 7/8 po (1750 mm)
D	Hauteur jusqu'au-dessus de la charnière	70 1/4 po (1785 mm)	70 1/4 po (1785 mm)	70 1/4 po (1785 mm)	70 1/4 po (1785 mm)
E	Espace libre à l'arrière	2 po (50 mm)	2 po (50 mm)	2 po (50 mm)	2 po (50 mm)
F	Profondeur sans la porte	31 po (785 mm)	24 1/8 po (610 mm)	30 1/8 po (764 mm)	30 1/8 po (764 mm)
G	Profondeur avec la poignée	38 1/8 po (968 mm)	31 1/4 po (793 mm)	s. o.	36 7/8 po (937 mm)
H	Profondeur (au total, avec le tiroir du congélateur ouvert)	59 3/8 po (1508 mm)	47 3/4 po (1213 mm)	55 3/8 po (1406 mm)	57 7/8 po (1469 mm)
I	Profondeur (au total, avec la porte ouverte à 90°)	50 1/8 po (1272 mm)	43 1/4 po (1097 mm)	48 7/8 po (1240 mm)	48 7/8 po (1240 mm)

-	Dimensions/dégagements	LF25G8330* LF26G8210*	LF25C8330*
A	Profondeur sans la poignée	29 3/4 po (756 mm)	29 3/4 po (756 mm)
B	Largeur	35 3/4 po (908 mm)	35 3/4 po (908 mm)

-	Dimensions/dégagements	LF25G8330* LF26G8210*	LF25C8330*
C	Hauteur jusqu'au-dessus de la caisse	68 7/8 po (1750 mm)	68 7/8 po (1750 mm)
D	Hauteur jusqu'au-dessus de la charnière	70 1/4 po (1785 mm)	70 1/4 po (1785 mm)
E	Espace libre à l'arrière	2 po (50 mm)	2 po (50 mm)
F	Profondeur sans la porte	25 3/8 po (646 mm)	25 3/8 po (646 mm)
G	Profondeur avec la poignée	32 1/4 po (819 mm)	s. o.
H	Profondeur (au total, avec le tiroir du congélateur ouvert)	49 1/2 po (1256 mm)	47 po (1193 mm)
I	Profondeur (au total, avec la porte ouverte à 90°)	44 1/8 po (1122 mm)	44 1/8 po (1122 mm)

## 18 INSTALLATION

### Retrait et assemblage des poignées

Ces instructions concernent les modèles expédiés avec les poignées assemblées. Pour les modèles expédiés avec les poignées non assemblées, suivez les instructions incluses dans l'emballage de la poignée.

- Outils nécessaires
  - Modèles expédiés avec les poignées démontées :  
Clés hexagonales de 3/32 po et de 1/4 po seulement
  - Modèles expédiés avec les poignées assemblées :  
Clés hexagonales de 3/32 po, de 1/8 po et de 1/4 po

Si vous devez faire passer le réfrigérateur par une ouverture étroite, il est recommandé de retirer les portes. Si vous devez retirer les poignées, prenez soin de ne pas rayer les portes.

L'apparence réelle des poignées peut varier.

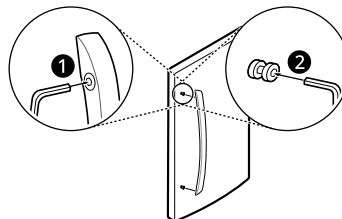
#### **▲ MISE EN GARDE**

- Lors de l'assemblage ou du retrait des poignées, tenez la poignée fermement pour éviter qu'elle ne tombe.
- Ne lancez pas la poignée vers des personnes ou des animaux à proximité.
- Vérifiez que les vis sont en place et que les fixations situées à l'extrémité des poignées sont correctement alignées sur les fixations de montage des portes. Les vis doivent être suffisamment desserrées pour que les fixations des poignées puissent glisser sur les fixations de montage de la porte.
- Une fois la poignée fixée, assurez-vous qu'il n'y a pas d'écart entre la porte et la poignée.

### Retrait des poignées du réfrigérateur

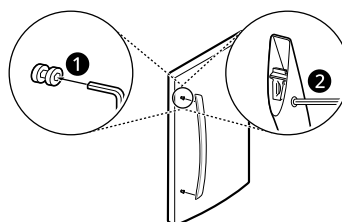
- 1** Desserrez les vis **1** à l'aide d'une clé Allen de 3/32 po, puis retirez la poignée.
- 2** Au besoin, desserrez les fixations de montage **2** qui se vissent à la porte et à la poignée du

réfrigérateur à l'aide d'une clé Allen de 1/4 po, puis retirez les fixations de montage.



### Assemblage des poignées du réfrigérateur

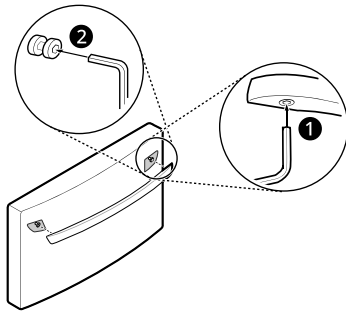
- 1** Au besoin, réassemblez les fixations de montage **1** sur la porte à l'aide d'une clé Allen de 1/4 po.
- 2** Placez la poignée sur la porte en l'installant sur les fixations et en serrant les vis **2** avec une clé Allen de 3/32 po.



### Retrait de la poignée du tiroir du congélateur

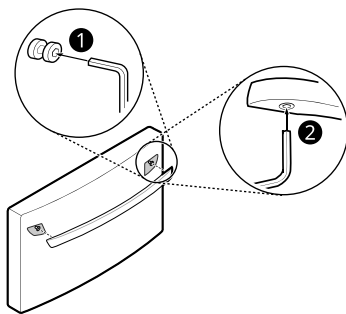
- 1** Desserrez les vis de pression **1** situées au bas de la poignée à l'aide d'une clé Allen de 3/32 po, puis retirez la poignée.
  - Pour les modèles expédiés avec les poignées assemblées, utilisez une clé Allen de 1/8 po.

- 2** Desserrez les fixations de montage **2** à l'aide d'une clé Allen de 1/4 po, puis retirez-les.



### Assemblage de la poignée du tiroir du congélateur

- 1** Assemblez les fixations de montage **1** aux deux extrémités de la poignée à l'aide d'une clé Allen de 1/4 po.
- 2** Placez la poignée sur la porte en l'installant sur les fixations et en serrant les vis **2** avec une clé Allen de 3/32 po.
- Pour les modèles expédiés avec les poignées assemblées, utilisez une clé Allen de 1/8 po.



### Retrait et assemblage des portes et des tiroirs

Si votre porte d'entrée est trop étroite pour permettre le passage du réfrigérateur, retirez les portes du réfrigérateur et déplacez le réfrigérateur latéralement à travers la porte.

#### ⚠ AVERTISSEMENT

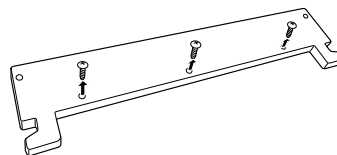
- Au moins deux personnes sont nécessaires pour installer ou retirer les portes et les tiroirs du réfrigérateur.
- Débranchez l'alimentation électrique du réfrigérateur avant l'installation.

- Ne placez pas vos mains, vos pieds ou des objets dans les événements d'aération ou au bas du réfrigérateur.
- Soyez prudent en manipulant la charnière et son levier.
- Sortez les aliments et les clayettes avant de démonter les portes et les tiroirs.
- Si vous retirez ou remplacez les portes ou les tiroirs, ne les tenez pas par la poignée, car celle-ci pourrait se détacher.

- Outils nécessaires
  - Tournevis Phillips
  - Tournevis à tête plate

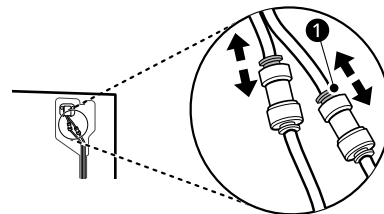
### Retrait du couvercle de charnière

Retirez les vis du couvercle de la charnière en haut du réfrigérateur. Soulevez le crochet (non visible), situé sur la partie inférieure du côté avant du couvercle, à l'aide d'un tournevis à tête plate.



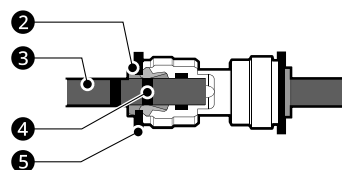
### Retrait de la porte gauche du réfrigérateur

- 1** La prise d'eau est reliée à la partie supérieure droite de la surface arrière du réfrigérateur. Enlevez l'attache de la zone de raccordement. Tenez la prise d'eau et appuyez doucement sur le collet **1** pour débrancher la conduite d'alimentation comme illustré.



#### REMARQUE

- Démontage et raccordement de la conduite d'eau

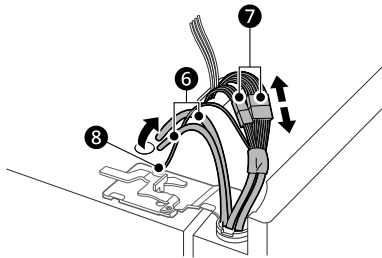


## 20 INSTALLATION

### REMARQUE

② Collet ③ Tube ④ Ligne d'insertion ⑤ Attache

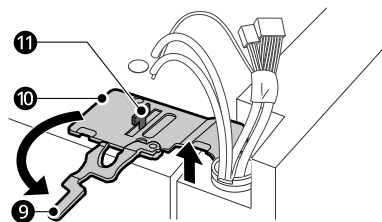
- Retirez la conduite d'alimentation en eau ⑥. Débranchez tous les faisceaux électriques ⑦. Dévissez le fil de masse ⑧.



- Faites pivoter le levier de la charnière ⑨ dans le sens anti-horaire. Soulevez la charnière supérieure ⑩ et retirez-la du loquet du levier de la charnière ⑪.

### ⚠ MISE EN GARDE

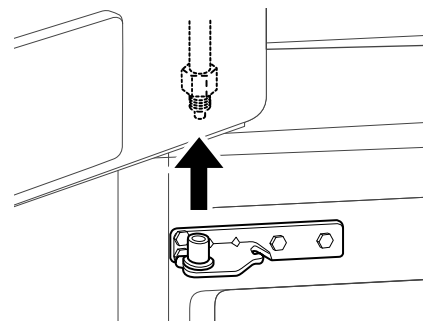
- Au moment de soulever la charnière pour la dégager, veillez à ce que la porte ne tombe pas vers l'avant.



- Soulevez la porte de l'axe de la charnière centrale et retirez-la.

### ⚠ MISE EN GARDE

- Placez la porte, avec l'intérieur orienté vers le haut, sur une surface lisse.

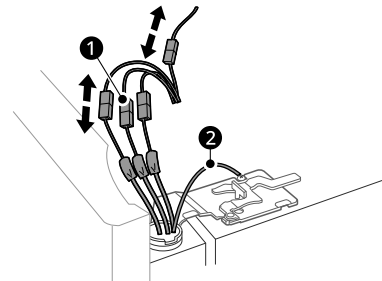


### Retrait de la porte droite du réfrigérateur

- Débranchez tous les faisceaux électriques ①. Dévissez le fil de mise à la terre ②.

### REMARQUE

- Le nombre de faisceaux électriques peut varier selon le modèle.
- Le fil de mise à la terre est présent seulement sur certains modèles.

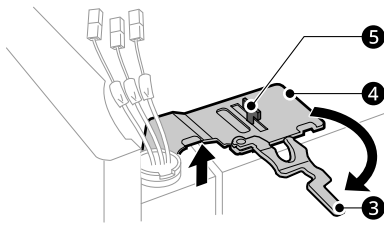


- Faites pivoter le levier de la charnière ③ dans le sens horaire. Soulevez la charnière supérieure ④ et retirez-la du loquet du levier de la charnière ⑤.

### ⚠ MISE EN GARDE

- Au moment de soulever la charnière pour la dégager, veillez à ce que la porte ne tombe pas vers l'avant.

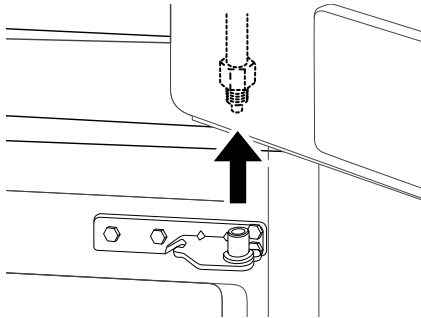




- 3** Soulevez la porte de l'axe de la charnière centrale et retirez-la.

#### **⚠ MISE EN GARDE**

- Placez la porte, avec l'intérieur orienté vers le haut, sur une surface lisse.



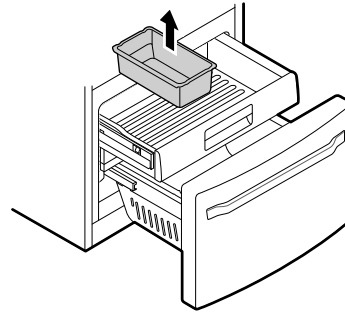
### Retrait des tiroirs du congélateur

#### **⚠ AVERTISSEMENT**

- Au moins deux personnes sont nécessaires pour installer ou retirer les portes du réfrigérateur et le tiroir du congélateur.
- Faites attention aux charnières pointues sur les deux côtés du tiroir.
- Lorsque vous posez le tiroir par terre, veillez à ne pas endommager le plancher.
- Ne montez pas sur le tiroir et ne vous y asseyez pas.
- Afin d'empêcher les accidents, maintenez les enfants et les animaux domestiques loin du tiroir. Ne laissez pas le tiroir ouvert. Si le bac de rangement Durabase® est retiré du tiroir du congélateur, il y a suffisamment d'espace à l'intérieur pour qu'un petit enfant ou un animal domestique puisse y pénétrer.

- 1** Tirez le tiroir jusqu'à son extension complète.

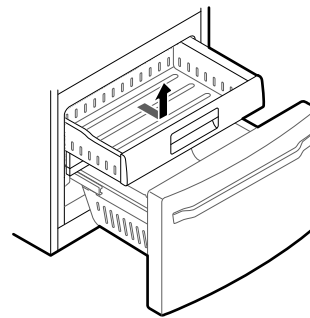
- 2** Soulevez et tirez délicatement le(s) bac(s) à glaçons pour le(s) retirer.



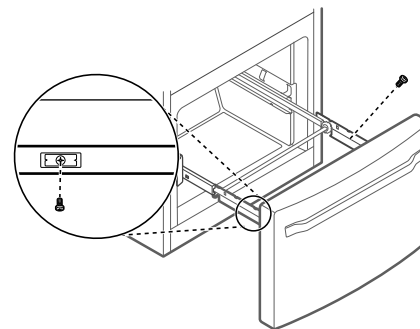
#### **REMARQUE**

- Le nombre de bacs à glaçons peut varier selon le modèle.

- 3** Soulevez l'avant du tiroir, puis tirez-le.



- 4** Enlevez les vis des rails aux deux extrémités.

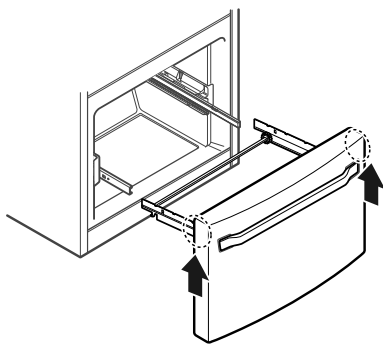


- 5** Saisissez les deux côtés du tiroir et tirez-le pour le retirer des rails.

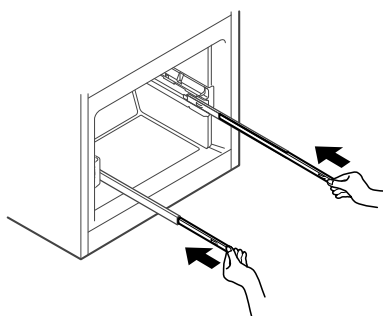
#### **⚠ MISE EN GARDE**

- Ne tenez pas la poignée lorsque vous enlevez ou remplacez le tiroir. Celle-ci pourrait se détacher et provoquer de graves blessures.

## 22 INSTALLATION



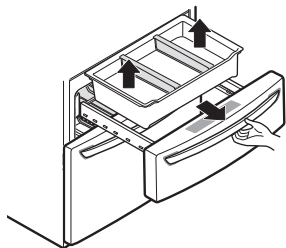
- 6** Saisissez un rail dans chaque main et poussez-les simultanément.



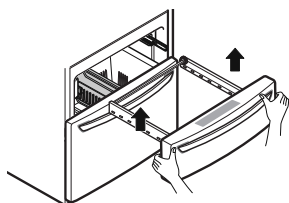
### Retrait du tiroir Full Convert

Cette fonctionnalité est offerte sur certains modèles seulement.

- 1** Tirez le tiroir jusqu'à son extension complète. Retirez le panier des rails.



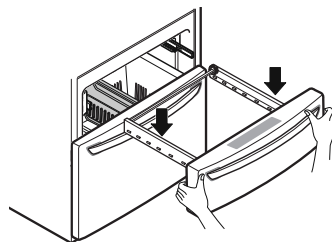
- 2** Tenez les deux côtés de la porte et retirez-la des rails.



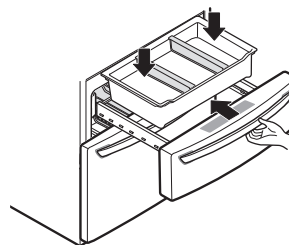
### Assemblage du tiroir Full Convert

Cette fonctionnalité est offerte sur certains modèles seulement.

- 1** Saisissez la porte de chaque côté et abaissez-la sur les rails.

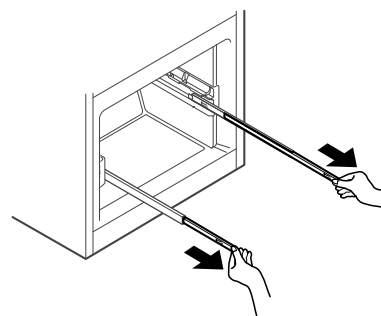


- 2** Tirez le tiroir jusqu'à son extension complète. Abaissez le panier sur les rails.



### Assemblage des tiroirs du congélateur

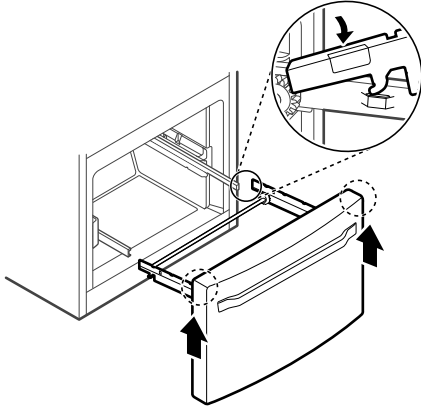
- 1** Tirez les deux rails simultanément jusqu'à extension complète.



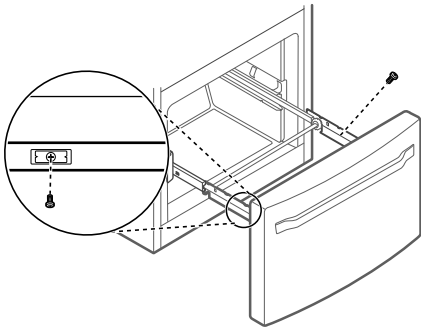
- 2** Saisissez le tiroir de chaque côté et accrochez les supports du tiroir sur les onglets des rails situés sur les deux côtés.

### ⚠ MISE EN GARDE

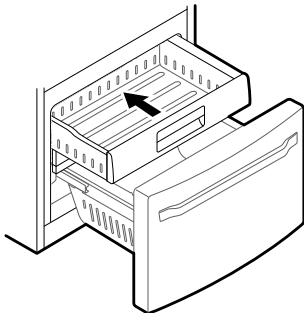
- Ne tenez pas la poignée lorsque vous enlevez ou remplacez le tiroir. Celle-ci pourrait se détacher et provoquer de graves blessures.



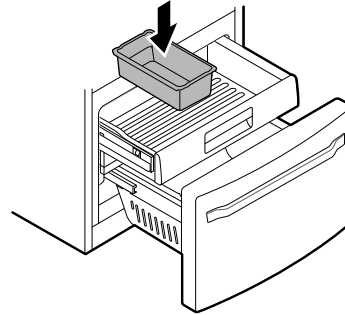
- 3** Abaissez la porte dans sa position finale et insérez les vis dans le rail situé des deux côtés.



- 4** Insérez le tiroir dans le cadre et poussez le tiroir jusqu'à ce que vous entendiez un clic.



- 5** Remplacez le(s) bac(s) à glaçons dans le tiroir. Insérez le panier Durabase dans le rail monté.



### REMARQUE

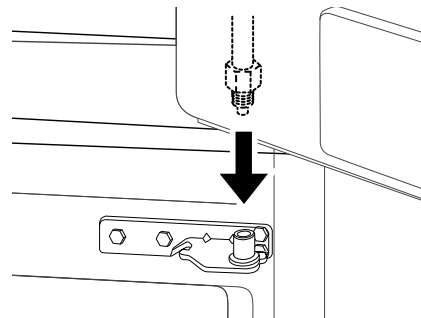
- Le nombre de bacs à glaçons peut varier selon le modèle.

## Installation de la porte droite du réfrigérateur

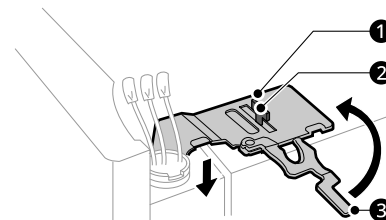
### ⚠ MISE EN GARDE

- Installez d'abord la porte droite.

- 1** Assurez-vous que le manchon en plastique est inséré dans la partie inférieure de la porte. Abaissez la porte dans la goupille de la charnière centrale, comme sur l'illustration.

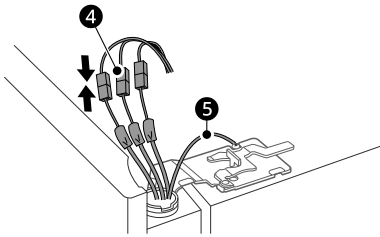


- 2** Fixez la charnière ① sur le verrou à levier de la charnière ② et insérez-la. Faites pivoter le levier ③ dans le sens anti-horaire pour fixer la charnière.



## 24 INSTALLATION

- 3** Branchez tous les faisceaux électriques **4**.  
Vissez le fil de mise à la terre **5**.



### REMARQUE

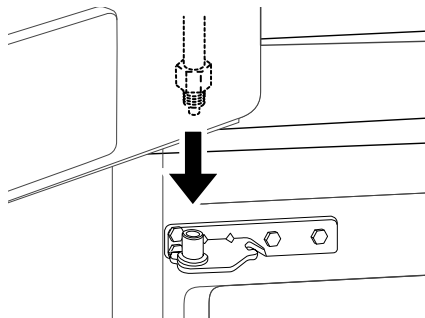
- Le nombre de faisceaux électriques peut varier selon le modèle.
- Le fil de mise à la terre est présent seulement sur certains modèles.

## Installation de la porte gauche du réfrigérateur

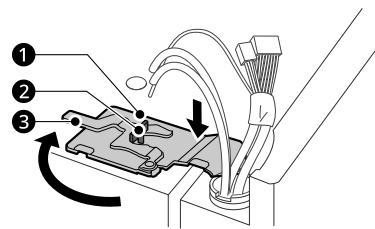
### ⚠ MISE EN GARDE

- Installez la porte gauche du réfrigérateur après avoir installé la porte droite.

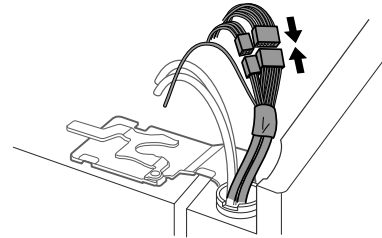
- 1** Assurez-vous que le manchon en plastique est inséré dans la partie inférieure de la porte. Installez la porte du réfrigérateur dans la charnière centrale.



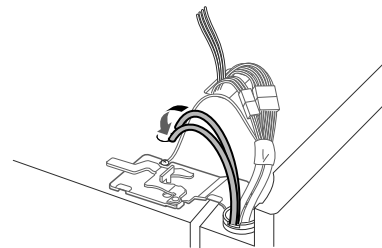
- 2** Fixez la charnière **1** sur le verrou à levier de la charnière **2** et insérez-la. Faites pivoter le levier **3** dans le sens horaire pour fixer la charnière.



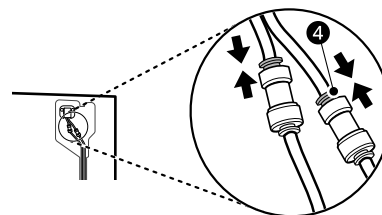
- 3** Branchez tous les faisceaux électriques et le fil de mise à la terre.



- 4** Insérez les conduites d'alimentation en eau dans le trou du casier supérieur et faites-les passer à travers la plaque arrière.

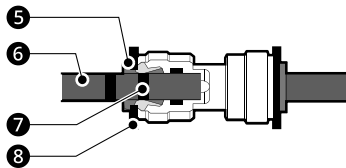


- 5** Tenez la prise d'eau et appuyez doucement sur le collet **4** pour raccorder les conduites d'alimentation, tel qu'il est illustré. Insérez le tuyau à une profondeur d'au moins 15 mm (5/8 po) dans le connecteur. Installez l'attache sur le raccord pour maintenir les tuyaux en place.

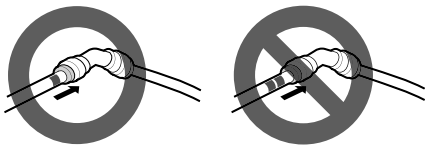


**REMARQUE**

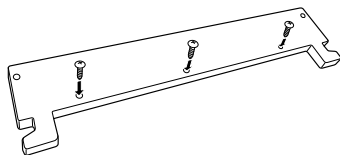
- Démontage et raccordement de la conduite d'eau



- 5 Collet 6 Tube 7 Ligne d'insertion 8 Attache
- Appuyez doucement sur le collet et insérez le tuyau jusqu'à ce qu'une seule ligne apparaisse sur celui-ci.

**Assemblage du couvercle de charnière**

Mettez le couvercle de charnière en place. Insérez et serrez les vis du couvercle.

**Raccord du réfrigérateur à l'alimentation en eau****Avant de commencer**

Ces consignes présumant que vous disposez déjà d'une prise d'eau pour le réfrigérateur. Au besoin, communiquez avec un plombier qualifié pour installer une conduite d'alimentation en eau pour le réfrigérateur.

- Éteignez la machine à glaçons si vous comptez utiliser le réfrigérateur avant d'avoir raccordé la conduite d'alimentation en eau.
- N'installez pas les tuyaux de la machine à glaçons dans des zones où la température descend au-dessous de zéro.

**AVERTISSEMENT**

- Branchez l'appareil à une source d'eau potable seulement.

**MISE EN GARDE**

- Pour éviter les brûlures et tout dommage à l'appareil, raccordez uniquement la conduite d'eau du réfrigérateur à une source d'eau froide.
- Portez des lunettes de protection pendant l'installation pour éviter les blessures.

FRANÇAIS

**Pression de l'eau**

Une alimentation en eau froide est nécessaire.

**Pression de l'eau**

- **Modèles équipés d'un filtre à eau:**
  - 20 à 120 psi (138 à 827 kPa)
- **Si un système de filtration d'eau par osmose inverse est connecté à l'alimentation en eau froide:**
  - entre 40 et 60 psi au minimum pour un système par osmose inverse (entre 2,8 kgf/cm<sup>2</sup> et 4,2 kgf/cm<sup>2</sup>, ou moins de 2 à 3 secondes pour remplir un récipient d'environ 7 oz)

Si la pression de l'eau du système d'osmose inverse est inférieure à 20 psi ou 138 kPa ou 1,4 kgf/cm<sup>2</sup> (c'est-à-dire que cela prend plus de 4 secondes pour remplir une tasse d'une capacité de 7 onces ou de 198 cm<sup>3</sup>) :

- Vérifiez si le filtre à sédiments dans le système d'osmose inverse est bloqué. Remplacez le filtre si nécessaire.
- Laissez le réservoir sur le système par osmose inverse se remplir de nouveau après une utilisation intensive.
- Si la pression de l'eau demeure faible, appelez un plombier agréé et qualifié.
- Toutes les installations doivent être conformes aux exigences du code de plomberie en vigueur.

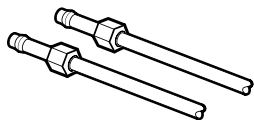
**Matériel nécessaire**

- **Tuyaux en cuivre ou en XLPE** de ¼ po de diamètre extérieur, pour relier le réfrigérateur à la prise d'eau. Assurez-vous que les deux extrémités des tuyaux sont coupées au carré. Pour déterminer la longueur de tuyau dont vous avez besoin, mesurez la distance entre la vanne

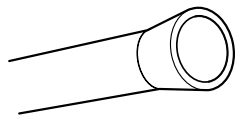
## 26 INSTALLATION

d'eau à l'arrière du réfrigérateur et le tuyau d'alimentation en eau. Ensuite, ajoutez 2,4 m (8 pieds). Assurez-vous que vous disposez d'un tuyau suffisamment long (environ 2,4 m [8 pieds] enroulés en 3 tours d'environ 25 cm [10 po] de diamètre) pour permettre au réfrigérateur d'être retiré du mur après l'installation.

- **Clé à molette ou clé de ½ po.**
- **Tournevis à tête plate et tournevis cruciforme.**
- **Deux écrous à compression de diamètre extérieur de ¼ po et 2 bagues (manchons)** pour raccorder le tube en cuivre à la vanne d'arrêt et à la vanne d'eau du réfrigérateur. Si vous utilisez un ensemble de conduits d'eau en XLPE, il se peut qu'il dispose déjà des raccords nécessaires à chaque extrémité.



- Si votre canalisation en cuivre existante comporte un raccord évasé à l'extrémité, vous aurez besoin d'un adaptateur (offert dans les magasins de fournitures de plomberie) pour raccorder la conduite d'eau au réfrigérateur OU vous pouvez couper le raccord évasé avec un découpeur de tube, puis utiliser un raccord de compression.



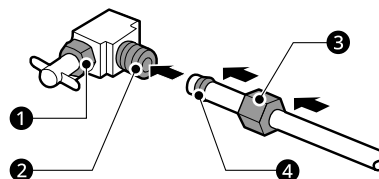
### REMARQUE

- La ligne de raccordement ne peut pas être composée de tuyaux en plastique blancs. Les plombiers agréés ne doivent utiliser que des tuyaux en cuivre NDA n° 49 595 ou 49 599 ou des tuyaux en polyéthylène réticulé (XLPE).
- Assurez-vous que vous disposez d'un tuyau suffisamment long (environ 2,4 m [8 pieds] enroulés en 3 tours d'environ 25 cm [10 po] de diamètre) pour permettre d'éloigner le réfrigérateur du mur après l'installation.

### Raccord de l'arrivée d'eau au réfrigérateur

- 1 Raccordez le tuyau à la vanne d'arrêt.
  - Placez l'écrou à compression et la bague (manchon) sur l'extrémité du tuyau de

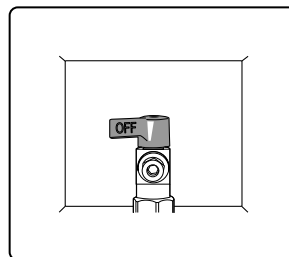
cuivre et raccordez-le à la vanne d'arrêt. Si vous utilisez un tuyau en XLPE, le tuyau peut déjà être doté des raccords nécessaires à chaque extrémité. Assurez-vous que le tuyau est entièrement inséré dans la vanne. Serrez fermement l'écrou à compression.



- 1 Écrou d'emballage
- 2 Vanne d'arrêt
- 3 Écrou à compression
- 4 Bague (manchon)

### 2 Vidangez le tuyau dans un seau.

- Vidangez le tuyau qui provient de l'alimentation en eau locale jusqu'à ce que l'eau soit claire. Fermez l'alimentation en eau à la hauteur de la vanne une fois qu'environ un litre d'eau a circulé dans le tuyau.

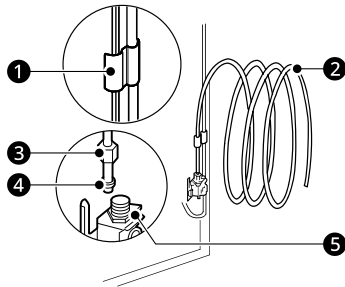


### REMARQUE

- Avant d'effectuer le raccord au réfrigérateur, assurez-vous que le cordon d'alimentation électrique n'est pas branché dans la prise murale.

- 3 Enlevez le capuchon flexible en plastique de la vanne d'eau sur le réfrigérateur.

- 4 Placez l'écrou à compression et la bague (manchon) à l'extrémité du tuyau comme il est indiqué. Si vous utilisez un ensemble de raccords en XLPE, il se peut qu'il dispose déjà des raccords nécessaires.
- 5 Insérez l'extrémité du tuyau de cuivre ou en XLPE dans le raccord aussi loin que possible. Tout en tenant le tuyau, serrez le raccord.



- 1 Collier de serrage
- 2 Tuyau de 1/4 po
- 3 Écrou à compression de 1/4 po
- 4 Bague (manchon)
- 5 Branchement au réfrigérateur

- 6 Ouvrez l'eau à la vanne d'arrêt.
  - Serrez tous les raccords qui fuient.

### ⚠ MISE EN GARDE

- Vérifiez s'il y a des fuites aux raccords de la conduite d'eau.
- Assurez-vous que la vanne d'arrivée d'eau de la maison est complètement ouverte. Si elle n'est pas complètement ouverte, la machine à glaçons et le distributeur pourraient ne pas fonctionner correctement.

## Nivellement et alignement de la porte

### Nivellement

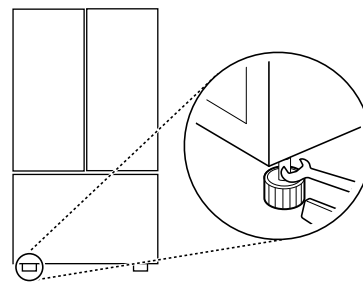
Votre réfrigérateur a deux pieds de nivellement à l'avant. Ajustez les pieds pour modifier l'inclinaison de l'avant vers l'arrière ou de gauche à droite. Si votre réfrigérateur semble instable ou que les portes sont difficiles à fermer, ajustez l'inclinaison

du réfrigérateur en suivant les instructions ci-dessous :

- 1 Tournez le pied de nivellement vers la gauche pour soulever ce côté du réfrigérateur ou vers la droite pour l'abaisser. Il est possible que vous ayez à tourner plusieurs fois le pied de nivellement pour ajuster l'inclinaison du réfrigérateur.

### REMARQUE

- Une clé polygonale à têtes fendues convient le mieux à cette tâche, mais une clé à fourche peut être suffisante. Ne serrez pas excessivement.



- 2 Ouvrez les deux portes pour vérifier qu'elles ferment facilement. Si les portes ne se referment pas facilement, inclinez le réfrigérateur un peu plus vers l'arrière en tournant les deux pieds de nivellement vers la gauche. Cela peut prendre plusieurs tours supplémentaires, et vous devriez tourner autant les deux pieds de nivellement.

### Alignement de la porte

La méthode d'alignement de la porte peut varier en fonction du modèle.

### Réfrigérateur de type A

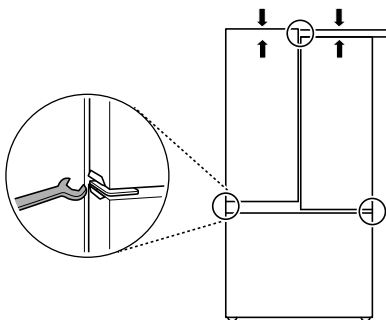
Les portes gauche et droite du réfrigérateur sont dotées d'un écrou ajustable, situé sur la charnière inférieure, pour les soulever et les abaisser afin de les aligner.

Si l'espace entre vos portes est inégal même après que vous avez rempli les balconnets, suivez les instructions ci-dessous pour les aligner.

Utilisez la clé (comprise avec le Guide d'utilisation et d'entretien) pour tourner l'écrou dans la charnière de la porte afin d'en ajuster la hauteur.

## 28 INSTALLATION

Tournez dans le sens horaire pour monter la porte ou dans le sens inverse pour l'abaisser.



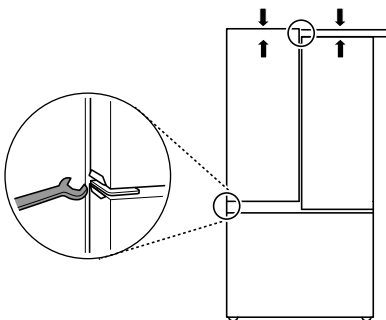
### Réfrigérateur de type B

#### Porte gauche du réfrigérateur

La porte gauche du réfrigérateur est dotée d'un écrou ajustable, situé sur la charnière inférieure, pour la soulever et l'abaisser afin de l'aligner.

Si l'espace entre vos portes n'est pas uniforme, suivez les instructions ci-dessous pour les aligner :

Utilisez la clé (comprise avec le Guide d'utilisation et d'entretien) pour tourner l'écrou dans la charnière de la porte afin d'en ajuster la hauteur. Tournez dans le sens horaire pour monter la porte ou dans le sens inverse pour l'abaisser.



#### Porte droite du réfrigérateur

La porte droite du réfrigérateur n'a pas d'écrou ajustable.

Si l'espace entre vos portes est inégal, suivez les instructions ci-dessous pour aligner la porte droite.

- 1 Soulevez les parties intérieure et extérieure de la porte droite au niveau de la charnière centrale. (Ouvrez la porte pour que l'opération soit plus facile.)

- 2 Une fois la porte soulevée, demandez à une autre personne d'insérer le jonc d'arrêt sur la charnière centrale. L'aspect du jonc d'arrêt peut différer selon le modèle.

- Jonc d'arrêt de type A



Utilisez une pince pour insérer le jonc d'arrêt sur la charnière centrale de la section intérieure de la porte, comme il est illustré. Insérez des joncs d'arrêt supplémentaires jusqu'à ce que la porte droite soit alignée.

- Jonc d'arrêt de type B

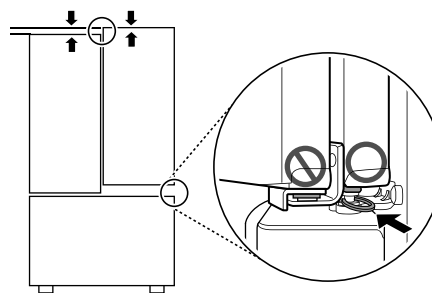


Insérez un seul jonc d'arrêt sur la charnière centrale de la section intérieure de la porte, comme il est illustré.

- Si un jonc d'arrêt est déjà inséré sur la charnière centrale, retirez-le avant d'insérer un nouveau jonc d'arrêt.

### ⚠ MISE EN GARDE

- La porte est lourde. Pour prévenir les blessures, au moins deux personnes sont nécessaires pour soulever et aligner la porte du réfrigérateur.
- Les jeunes enfants pourraient avaler les petites pièces. Gardez les joncs d'arrêt hors de la portée des enfants.
- N'insérez pas le jonc d'arrêt sur la charnière de la section extérieure de la porte.



### REMARQUE

- Le nombre de tiroirs du congélateur peut varier selon le modèle.



## Mise en marche

- Après l'installation, branchez le cordon d'alimentation du réfrigérateur dans une prise à 3 broches mise à la terre et poussez le réfrigérateur dans sa position finale.

### **⚠ MISE EN GARDE**

- Branchez-le à une prise de puissance nominale.
- Assurez-vous qu'un électricien qualifié examine la prise de courant murale et le câblage, et qu'il confirme que la mise à la terre est adéquate.
- Ne coupez pas et n'endommagez pas la borne de terre de la prise de courant.

## Choix de l'emplacement du réfrigérateur

- Si le réfrigérateur est connecté à l'arrivée d'eau, disposez le tuyau enroulé de sorte qu'il ne vibre pas contre la partie arrière du réfrigérateur ou contre le mur. Poussez le réfrigérateur contre le mur, en laissant un espace suffisant.

## Démarrer la machine à glaçons

- Si l'arrivée d'eau est raccordée, mettez les machines à glaçons sous tension.
  - Pour allumer les machines à glaçons, mettez l'interrupteur de la machine à glaçons à la position ON (marche) ou consultez la partie **Panneau de commande** dans la section **Fonctionnement**.
- La machine à glaçons commence à fonctionner uniquement lorsqu'elle a atteint sa température de fonctionnement de -9 °C (15 °F) ou une température inférieure. Elle fonctionnera ensuite automatiquement si elle est sous tension.

# FONCTIONNEMENT

## Manuel du propriétaire en ligne

### Renseignements complémentaires sur le fonctionnement

L'intégralité du manuel du propriétaire se trouve sur le site Web de LG au : <http://gscs-manual.lge.com/Total/HQ/GatewayPage/main.html?product=Refrigerator&ptype=FDR> ou en numérisant le code QR.



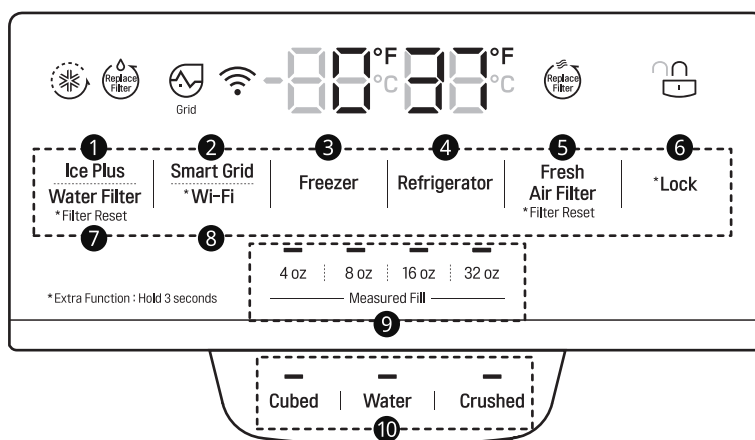
## Panneau de commande

Selon le modèle, certaines des fonctions suivantes pourraient ne pas être offertes. Le panneau de commande réel peut différer d'un modèle à l'autre.

### Caractéristiques du panneau de commande

† Cette fonctionnalité est offerte sur certains modèles seulement.

### Panneau de commande extérieur



#### 1 Ice Plus

Cette fonction augmente aussi bien les capacités de production de glace que de congélation.

Appuyez sur la touche **Ice Plus** pour allumer l'icône et activer la fonction pendant 24 heures. La fonction s'éteindra automatiquement après 24 heures. Vous pouvez arrêter cette fonction manuellement en appuyant sur la touche une autre fois.

#### 2 Smart Grid

Appuyez sur la touche **Smart Grid** pour activer ou désactiver la fonction. Lorsque la fonction est en marche, l'icône s'allume. La fonction se met automatiquement en marche lorsque le réfrigérateur est connecté à un réseau Wi-Fi.

Lorsque le réfrigérateur répond à un message de gestion de la demande (GD) de la compagnie d'électricité, le mot Grid (réseau) s'allume.

### 3 Freezer

Indique la température du compartiment du congélateur en Celsius (°C) ou en Fahrenheit (°F). La température par défaut du congélateur est de -18 °C (0 °F). Appuyez sur la touche **Freezer** à plusieurs reprises pour sélectionner une nouvelle température comprise entre -23 °C et -15 °C (entre -7 °F et 5 °F).

### 4 Refrigerator

Indique la température du compartiment du réfrigérateur en Celsius (°C) ou en Fahrenheit (°F). La température par défaut du réfrigérateur est de 3 °C (37 °F). Appuyez sur la touche **Refrigerator** à plusieurs reprises pour sélectionner une nouvelle température comprise entre 1 °C et 7 °C (entre 33 °F et 43 °F).


## REMARQUE

- Pour faire passer le mode de température de degrés Celsius à Fahrenheit (ou vice-versa), maintenez les touches **Refrigerator** et **Freezer** enfoncées simultanément pendant environ cinq secondes. L'indicateur de température sur la fenêtre d'affichage alterne entre Celsius et Fahrenheit.
- La température affichée est la température cible, et non la température réelle du réfrigérateur. La température réelle du réfrigérateur dépend des aliments stockés dans le réfrigérateur.

### 5 Fresh Air Filter


Le filtre à air frais sert à éliminer les odeurs du réfrigérateur.

## REMARQUE


- Remplacez le filtre à air frais si l'icône  est allumée. Après avoir remplacé le filtre à air frais, maintenez enfoncée la touche **Fresh Air Filter** pendant trois secondes pour éteindre la lumière de l'icône. Il est recommandé de changer le filtre à air frais environ tous les six mois.

### 6 Lock

La fonction de verrouillage désactive toutes les autres touches de l'écran.


- Lorsque le courant est branché au réfrigérateur pour la première fois, la fonction de verrouillage est désactivée.
- Pour verrouiller les touches du panneau de commande, maintenez enfoncée la touche **Lock** jusqu'à ce que l'icône  apparaisse, signe que la fonction est activée.
- Pour désactiver la fonction de verrouillage, maintenez enfoncée la touche **Lock** pendant environ 3 secondes.

### 7 Water Filter

Remplacez le filtre à eau si l'icône  est allumée. Après avoir remplacé le filtre à eau, maintenez enfoncée la touche **Water Filter** pendant trois secondes pour éteindre la lumière de l'icône. Il est recommandé de changer le filtre à eau environ tous les six mois.

### 8 Wi-Fi

Utilisée avec l'application **LG ThinQ**, la touche Wi-Fi permet de connecter le réfrigérateur à un réseau Wi-Fi domestique. Reportez-vous à la section Fonctions intelligentes pour obtenir des informations sur la configuration initiale de l'application.

L'icône  vous permet de vérifier l'état de connexion au réseau du réfrigérateur. Lorsque le réfrigérateur est connecté au réseau Wi-Fi, l'icône est allumée.

Appuyez sur la touche **Wi-Fi** et maintenez-la enfoncée pendant trois secondes pour établir la connexion au réseau. L'icône clignote lorsque la connexion est en cours, et reste allumée lorsque la connexion a été établie avec succès.

### 9 Measured Fill

La fonction de remplissage mesuré distribue automatiquement des quantités d'eau prémesurées.

## 32 FONCTIONNEMENT

### 10 Eau et type de glace

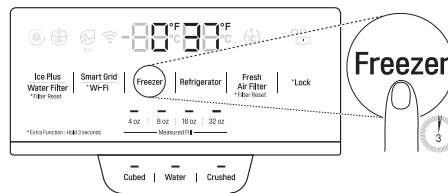
Sélectionnez le mode de distribution souhaité à l'aide des touches du panneau de commande du distributeur. Appuyez sur le levier du distributeur avec un verre ou un autre récipient pour obtenir des cubes de glace, de l'eau ou de la glace concassée.

### Modification du mode Craft Ice

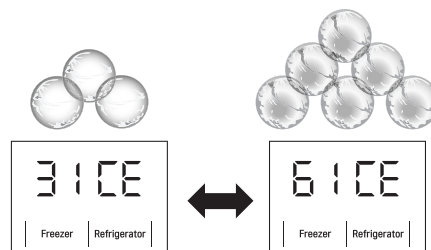
#### REMARQUE

- Cette fonctionnalité est offerte sur certains modèles seulement.
- Vous pouvez également utiliser le bouton **Freezer** pour régler le mode **Craft Ice** à **3 ICE** ou à **6 ICE**.

- 1 Appuyez sur n'importe quelle touche du panneau de commande pour l'activer.
- 2 Maintenez la touche **Freezer** enfoncée pendant trois secondes jusqu'à ce que le panneau de commande émette un signal sonore et que le mode actuel s'affiche.



- 3 Appuyez sur la touche **Freezer** à plusieurs reprises pour basculer du mode **3 ICE** au mode **6 ICE**. Après cinq secondes d'inactivité, le dernier mode réglé sera sauvegardé, et l'affichage reviendra à l'état normal.



#### REMARQUE

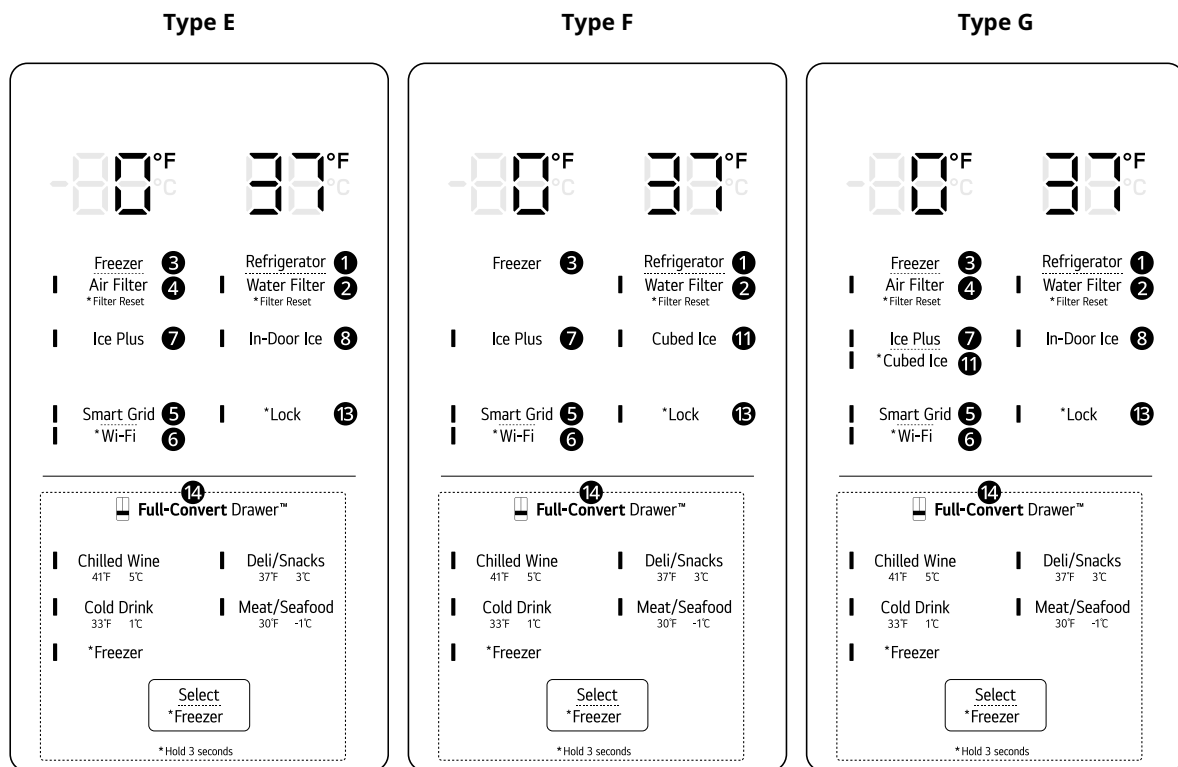
- Pour produire plus de glaçons, sélectionnez le mode **6 ICE**. Pour obtenir des glaçons plus limpides, sélectionnez le mode **3 ICE**.

## Panneau de commande intérieur

- Panneau de commande du réfrigérateur

Type A	Type B	Type C	Type D
Refrigerator ①	Refrigerator ①	Refrigerator ①	Refrigerator ①
Water Filter ② * Filter Reset	Water Filter ② * Filter Reset	Water Filter ② * Filter Reset	Water Filter ② * Filter Reset
Freezer ③	Freezer ③	Freezer ③	Freezer ③
Air Filter ④ * Filter Reset	Air Filter ④ * Filter Reset	Air Filter ④ * Filter Reset	Air Filter ④ * Filter Reset
Smart Grid ⑤	Smart Grid ⑤	Smart Grid ⑤	Smart Grid ⑤
* Wi-Fi ⑥	* Wi-Fi ⑥	* Wi-Fi ⑥	* Wi-Fi ⑥
Ice Plus ⑦	Ice Plus ⑦	Ice Plus ⑦	Ice Plus ⑦
* In-Door Ice ⑧	* In-Door Ice ⑧		* In-Door Ice ⑧
Craft Ice ⑨			
* Mini Cubed Ice ⑩	Cubed Ice ⑪	Cubed Ice ⑪	
Self Care ⑫			
* Lock ⑬	* Lock ⑬	* Lock ⑬	* Lock ⑬
* Hold 3 seconds	* Hold 3 seconds	* Hold 3 seconds	* Hold 3 seconds

## 34 FONCTIONNEMENT



### 1 Refrigerator

Indique la température du compartiment du réfrigérateur en Celsius (°C) ou en Fahrenheit (°F). La température par défaut du réfrigérateur est de 3 °C (37 °F). Appuyez sur la touche **Refrigerator** à plusieurs reprises pour sélectionner une nouvelle température comprise entre 1 °C et 7 °C (entre 33 °F et 43 °F).

### REMARQUE

- Pour faire passer le mode de température de degrés Celsius à Fahrenheit (ou vice-versa), maintenez les touches **Refrigerator** et **Freezer** enfoncées simultanément pendant environ cinq secondes. L'indicateur de température sur la fenêtre d'affichage alterne entre Celsius et Fahrenheit.
- La température affichée est la température cible, et non la température réelle du réfrigérateur. La température réelle du réfrigérateur dépend des aliments stockés dans le réfrigérateur.

### 2 Water Filter

Remplacez le filtre à eau si l'icône « Remplacer le filtre » est allumée. Après avoir remplacé le filtre à eau, maintenez la touche **Water Filter** enfoncée pendant trois secondes pour éteindre la lumière de l'icône. Remplacez le filtre à eau environ tous les six mois.

### 3 Freezer

Indique la température du compartiment du congélateur en Celsius (°C) ou en Fahrenheit (°F). La température par défaut du congélateur est de -18 °C (0 °F). Appuyez sur la touche **Freezer** à plusieurs reprises pour sélectionner une nouvelle température comprise entre -23 °C et -15 °C (entre -7 °F et 5 °F).

### 4 Air Filter

Le filtre à air aide à éliminer les odeurs du réfrigérateur.

## REMARQUE

- Remplacez le filtre à air lorsque l'indicateur de filtre à air est allumé. Après avoir remplacé le filtre à air, maintenez la touche **Air Filter** (filtre à air) enfoncée pendant trois secondes pour éteindre l'indicateur. Remplacez le filtre à air environ tous les six mois.

### 5 Smart Grid

Appuyez sur la touche **Smart Grid** pour activer ou désactiver la fonction. Lorsque la fonction est activée, l'indicateur s'allume. La fonction s'active automatiquement lorsque le réfrigérateur est connecté à un réseau Wi-Fi. La fonction Smart Grid est uniquement disponible si votre compagnie d'électricité en assure la prise en charge.

Lorsque le réfrigérateur répond à un message de gestion de la demande (GD) de la compagnie d'électricité, l'indicateur s'allume.

### 6 Wi-Fi

Utilisée avec l'application **LG ThinQ**, la touche Wi-Fi permet de connecter le réfrigérateur à un réseau Wi-Fi domestique. Reportez-vous à la section Fonctions intelligentes pour obtenir des renseignements sur la configuration initiale de l'application.

L'indicateur de Wi-Fi vous permet de vérifier l'état de la connexion du réfrigérateur au réseau. Lorsque le réfrigérateur est connecté au réseau Wi-Fi, l'indicateur est allumé.

Maintenez la touche **Wi-Fi** enfoncée pendant trois secondes pour établir la connexion au réseau. L'indicateur clignote lorsque la connexion est en cours et reste allumé lorsque la connexion a été établie avec succès.

### 7 Ice Plus<sup>†</sup>

Cette fonction augmente aussi bien les capacités de production de glace que de congélation.

- Appuyez sur la touche **Ice Plus** pour allumer l'indicateur et activer la fonction pendant 24 heures. La fonction s'éteindra automatiquement après 24 heures.
- Vous pouvez arrêter cette fonction manuellement en appuyant sur la touche une autre fois.

### 8 In-Door Ice<sup>†</sup>

Maintenez la touche **In-Door Ice** enfoncée pendant trois secondes pour mettre sous/hors tension la machine à glaçons dans la porte.

### 9 Craft Ice<sup>†</sup>

Appuyez à plusieurs reprises sur la touche **Craft Ice** pour alterner entre les modes **3 ICE**, **6 ICE** et **OFF**.

Après cinq secondes d'inactivité, le dernier mode réglé sera sauvegardé, et l'affichage reviendra à l'état normal.

- Pour mettre la machine à glaçons **Craft Ice** hors tension, sélectionnez le mode **OFF**.
- Pour mettre la machine à glaçons **Craft Ice** sous tension, sélectionnez le mode **3 ICE** ou **6 ICE**.

## REMARQUE

- Pour produire plus de glaçons, sélectionnez le mode **6 ICE**. Pour obtenir des glaçons plus limpides, sélectionnez le mode **3 ICE**.

### 10 Mini Cubed Ice<sup>†</sup>

Maintenez la touche **Mini Cubed Ice** enfoncée pendant trois secondes pour mettre sous/hors tension la machine à glaçons **Mini Cubed Ice**.

### 11 Cubed Ice<sup>†</sup>

Appuyez sur la touche **Cubed Ice** pour mettre sous/hors tension la machine à glaçons **Cubed Ice**.

## 36 FONCTIONNEMENT

### 12 Self Care<sup>†</sup>

La lumière UV est utilisée pour maintenir l'orifice de sortie de l'eau propre. La fonction de nettoyage UV s'active automatiquement pendant 10 minutes toutes les heures ou peut être déclenchée manuellement à tout moment.

Maintenez cette touche enfoncée pendant trois secondes pour activer la fonction manuellement.

### REMARQUE

- La fonction de nettoyage UV s'arrête si l'on appuie sur la touche **Water**. Elle reprend automatiquement au bout d'une heure.
- La fonction de nettoyage UV s'active automatiquement pendant 10 minutes toutes les heures sans que vous ayez à appuyer sur la touche **Self Care**.
- Le terme « UVnano » provient des mots UV et nanomètre, son unité de mesure.

### 13 Lock

La fonction de verrouillage désactive toutes les autres touches de l'écran.

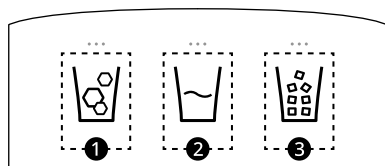
- Lorsque le courant est branché au réfrigérateur pour la première fois, la fonction de verrouillage est désactivée.
- Pour verrouiller les boutons du panneau de contrôle, maintenez le bouton **Lock** enfoncé jusqu'à ce que l'indicateur s'allume, ce qui indique que la fonction est activée.
- Pour désactiver la fonction de verrouillage, maintenez enfoncée la touche **Lock** pendant environ 3 secondes.

### 14 Full-Convert Drawer<sup>MC</sup>

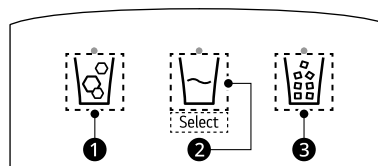
Réglez la température du tiroir convertible pour qu'elle soit plus froide ou plus chaude que celle du réfrigérateur. Reportez-vous à la section **Full-Convert Drawer<sup>MC</sup>** dans la section Fonctionnement.

- Panneau de commande du distributeur

Type A



Type B



#### Type A

- Sélectionnez le mode de distribution souhaité à l'aide des touches du panneau de commande du distributeur. De gauche à droite, les icônes désignent les cubes de glace ①, l'eau ② et la glace concassée ③. Appuyez sur le levier du distributeur avec un verre ou un autre récipient pour obtenir des cubes de glace, de l'eau ou de la glace concassée.

#### Type B

- Appuyez plusieurs fois sur la touche **Select** du panneau de contrôle du distributeur pour sélectionner le mode de distribution souhaité. De gauche à droite, les icônes désignent les cubes de glace ①, l'eau ② et la glace concassée ③. Appuyez sur le levier du distributeur avec un verre ou un autre récipient pour obtenir des cubes de glace, de l'eau ou de la glace concassée.

### REMARQUE

- Lorsque le réfrigérateur est placé en Mode d'économie d'énergie, l'écran reste éteint jusqu'à ce qu'une porte soit ouverte ou qu'une touche soit enfoncée. Une fois allumé, l'écran reste allumé pendant 20 secondes.



**REMARQUE****Mode Présentation et mode Présentation InstaView (pour une utilisation en magasin uniquement)**

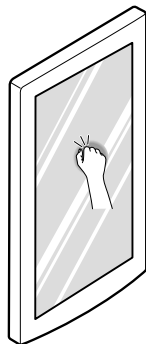
- Le **mode Présentation** désactive tout refroidissement dans les compartiments du réfrigérateur et du congélateur afin de conserver l'énergie lors de la présentation en magasin. Lorsque ce mode est activé, l'indication OFF apparaît dans l'afficheur et celui-ci s'éteint après 20 secondes lorsque vous fermez la porte.
  - Pour activer ou désactiver le mode Présentation :  
Ouvrez l'une des portes du réfrigérateur. Appuyez trois fois sur la touche **Ice Plus** tout en maintenant appuyée la touche **Refrigerator**. Le panneau de commande émet un signal sonore et les réglages de température s'affichent pour confirmer que le mode Présentation est désactivé. Utilisez la même procédure pour activer le mode Présentation.
- Le **mode Présentation InstaView** allume et éteint automatiquement la lumière à DEL du compartiment Porte dans la porte avec technologie InstaView (s'allume 10 secondes, s'éteint 2 minutes 50 secondes).
  - Pour activer le mode Présentation InstaView :  
Activez d'abord le mode Présentation. Ouvrez ensuite toutes les portes du réfrigérateur et du congélateur et, dans les cinq secondes qui suivent, cognez trois fois sur la porte en verre.
  - Pour désactiver le mode Présentation InstaView :  
Ouvrez toutes les portes du réfrigérateur et du congélateur et, dans les cinq secondes qui suivent, cognez trois fois sur la porte en verre. Le réfrigérateur est maintenant en mode Présentation.
- Pour désactiver simultanément le mode Présentation et le mode Présentation InstaView :  
Ouvrez l'une des portes du réfrigérateur et appuyez trois fois sur la touche **Ice Plus** tout en appuyant sur la touche **Refrigerator**.

**InstaView**

Cette fonctionnalité est offerte sur certains modèles seulement.

**Porte dans la porte avec technologie InstaView**

Frappez deux fois sur la vitre pour activer ou désactiver la lumière à DEL qui se trouve à l'intérieur de la porte InstaView. La lumière à DEL s'éteint automatiquement après 10 secondes.



- La fonction **InstaView** ne s'active que deux secondes après la fermeture de la porte.
- La fonction **InstaView** est désactivée lorsque le distributeur de glaçons est utilisé.

**Mode Sabbat**

Cette fonctionnalité est offerte sur certains modèles seulement.

**Utilisation du mode Sabbat**

Le mode Sabbat est utilisé lors du Sabbat juif et des jours fériés.

- Pour activer le mode Sabbat, touchez l'écran pour l'activer, puis appuyez simultanément sur les touches **Freezer** et **Wi-Fi**, et maintenez-les enfoncées pendant 3 secondes, jusqu'à ce que Sb s'affiche à l'écran.
- Pour désactiver le mode Sabbat manuellement, appuyez simultanément sur les touches **Freezer** et **Wi-Fi** et maintenez-les enfoncées pendant 3 secondes.

**REMARQUE**

- La lumière à DEL ne s'allume pas si la porte droite du réfrigérateur est ouverte.

## 38 FONCTIONNEMENT

### REMARQUE

- Le mode Sabbat s'éteint automatiquement après 96 heures.
- Une fois activé, le mode Sabbat est maintenu même après une panne de courant.
- La sélection du mode Sabbat désactive automatiquement les fonctionnalités d'alarme.
- Le distributeur et la technologie InstaView sont désactivés en mode Sabbat sur les modèles admissibles.

## Machine à glaçons automatique et distributeur d'eau

### Avant d'utiliser le distributeur d'eau et de glaçons

#### ▲ MISE EN GARDE

- Gardez les enfants loin du distributeur. Ils pourraient jouer avec les commandes ou les endommager.
- Jetez le premier lot de glaçons (de 140 à 160 glaçons) produits après l'installation. Lors de la première utilisation, la glace et l'eau produites peuvent contenir des particules ou des odeurs provenant de la conduite d'approvisionnement en eau ou du réservoir d'eau. Il est également nécessaire de le faire si le réfrigérateur n'a pas été utilisé pendant une longue période.
- Après l'installation, faites couler environ neuf litres d'eau (ce qui prendra environ cinq minutes). Ne faites pas couler les neuf litres d'eau de façon continue. Appuyez sur la touche du distributeur et relâchez-la de façon à créer cycles de 30 secondes en position de marche et de 60 secondes en position d'arrêt. Il est également nécessaire de le faire si le réfrigérateur n'a pas été utilisé pendant une longue période.
- Si de la glace ou de l'eau sont distribuées de façon inattendue, coupez l'alimentation en eau et appelez le centre d'assistance de LG.
- N'utilisez jamais un verre trop étroit ou profond. De la glace peut rester coincée dans le passage et le fonctionnement du réfrigérateur peut en être affecté.
- Lorsque le distributeur produit des glaçons, n'utilisez pas de contenant fragile pour les recueillir.

- N'accrochez pas et ne placez pas d'objets lourds sur le distributeur de l'appareil.

### REMARQUE

- Le distributeur ne fonctionne pas lorsque l'une des portes du réfrigérateur est ouverte.
- Si de la glace décolorée est distribuée, vérifiez le filtre à eau et l'alimentation en eau. Si le problème persiste, appelez le centre d'assistance de LG. N'utilisez pas la glace ou l'eau jusqu'à ce que le problème soit résolu.
- Distribuez la glace dans un verre avant de le remplir avec de l'eau ou d'autres boissons. Des éclaboussures peuvent se produire si la glace est distribuée dans un verre qui contient déjà du liquide.
- Quelques gouttes peuvent tomber après la distribution. Tenez votre tasse sous le distributeur pendant quelques secondes après la distribution pour recueillir toutes les gouttes.
- Gardez les récipients à une distance acceptable du distributeur. Tenez les verres étroits et profonds assez loin de la sortie de glace pour empêcher une obstruction dans la goulotte. Si vous distribuez de l'eau ou de la glace dans un récipient avec une petite ouverture, placez-le aussi près du distributeur que possible pour éviter les débordements.

## Machine à glaçons automatique

#### ▲ AVERTISSEMENT

- NE placez PAS vos doigts dans la machine à glaçons automatique lorsque le réfrigérateur est branché.
- Évitez tout contact avec les pièces mobiles du mécanisme d'éjection ou avec l'élément chauffant qui libère les cubes de glace.

### Avant d'utiliser la machine à glaçons intégrée dans la porte

#### REMARQUE

- Les glaçons sont fabriqués dans la machine à glaçons automatique qui se trouve dans la porte et envoyés vers le distributeur. La machine à glaçons produit entre 70 et 182 glaçons par période de 24 heures, selon la température du congélateur, la température ambiante, le

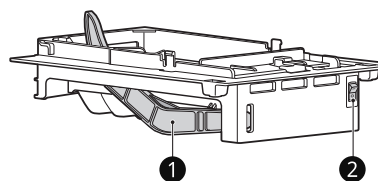
nombre de fois où la porte est ouverte et d'autres conditions de fonctionnement.

- Il faudra environ 12 à 24 heures pour qu'un réfrigérateur nouvellement installé commence à produire des glaçons.
- La production de glaçons s'arrête quand le bac à glaçons à l'intérieur de la porte est plein. À ce moment, le bac contient environ 6 à 8 verres (12 à 16 oz) de glace.
- La présence de substances étrangères ou de givre sur le dispositif d'arrêt automatique (levier) peut interrompre la production de glaçons. Pour garantir un bon fonctionnement, assurez-vous que la zone du dispositif automatique (levier) reste toujours propre.
- Pour augmenter la production de glaçons, utilisez la fonction **Ice Plus**, laquelle permet d'augmenter les capacités de congélation et de fabrication de glace.

- La quantité de glace et la forme de celle-ci peuvent varier selon l'environnement (température ambiante, le nombre de fois où la porte est ouverte, la quantité de nourriture dans l'appareil, la pression de l'eau, etc.).
- En cas de panne de courant, jeter la glace stockée dans le bac à glaçons.

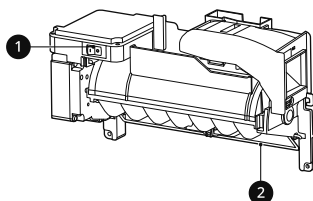
## Machine à glaçons du congélateur (cubes de glace)

Cette fonctionnalité est offerte sur certains modèles seulement.



- ① Levier
- ② Interrupteur (certains modèles)

## Machine à glaçons dans la porte



- ① Interrupteur (certains modèles)
- ② Dispositif d'arrêt automatique (levier)

## Avant d'utiliser la machine à glaçons du congélateur

Cette fonctionnalité est offerte sur certains modèles seulement.

La fonctionnalité peut varier en fonction du modèle acheté.

### REMARQUE

- Jetez le premier lot de glace produits après l'installation. Cela est également nécessaire si le réfrigérateur n'a pas été utilisé pendant une longue période.
- La machine à glaçons commence à produire des glaçons environ 48 heures après l'installation initiale du réfrigérateur.
- Le son des glaçons tombant dans le bac est normal.
- Si le bac à glaçons est rempli au maximum de sa capacité, la production de glaçons cessera.

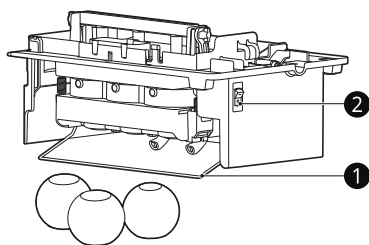
### REMARQUE

- La machine à glaçons automatique du congélateur produit 12 cubes à la fois, 50 à 110 glaçons par période de 24 heures si les conditions sont favorables. Cette quantité peut varier selon l'environnement (la température ambiante, le nombre de fois où la porte est ouverte, la quantité d'articles dans l'appareil, etc.).
- Les glaçons stockés dans le bac à glaçons pendant une période prolongée peuvent s'agglutiner et vous pourriez éprouver de la difficulté à les séparer. Dans ce cas, videz complètement le bac à glaçons et nettoyez-le avant de le remettre en place.

## 40 FONCTIONNEMENT

### Machine à glaçons du congélateur (Craft Ice<sup>MC</sup>)

Cette fonctionnalité est offerte sur certains modèles seulement.



- ❶ Levier
- ❷ Interrupteur (certains modèles)

#### ⚠ MISE EN GARDE

- N'insérez pas de glaçons en boule dans le bac à glaçons situé dans la porte, car ils pourraient endommager le distributeur d'eau et de glaçons.

#### REMARQUE

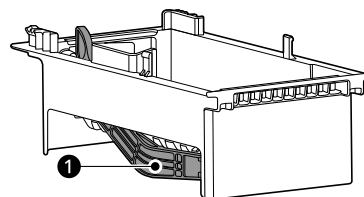
- La machine à glaçons commence à produire des glaçons environ 48 heures après l'installation initiale de l'appareil. Les premiers glaçons pourraient ne pas être sphériques et transparents.
- Les premiers glaçons produits après l'installation de l'appareil ou le remplacement du filtre à eau pourraient être semi-circulaires ou contenir des bulles d'air.
- La forme des glaçons peut varier si la pression de l'eau est inférieure à 20 psi (138 kPa) ou qu'un système par osmose inverse est utilisé.
- Les glaçons peuvent sembler troubles selon la qualité de l'eau à l'emplacement d'installation et les conditions d'utilisation.
- Jetez tous les morceaux de glace qui pourraient se trouver dans le bac à glaçons, car ils peuvent coller aux glaçons.
- Après une brève panne de courant, il faudra plus de temps pour produire les premiers glaçons, et ceux-ci pourraient ne pas être formés en boule. Si le courant est coupé pour une plus longue période, jetez les glaçons stockés dans le bac à glaçons.
- La machine à glaçons **Craft Ice** produit un lot de glaçons sphériques (3 glaçons) à la fois.
- En mode **3 ICE**, la machine à glaçons **Craft Ice** produit un lot de glaçons sphériques (3 glaçons) toutes les 24 heures environ. En mode **6 ICE**, la

machine à glaçons **Craft Ice** produit deux lots de glaçons sphériques (6 glaçons) pendant la même période.

- Pour produire plus de glaçons, sélectionnez le mode **6 ICE**. Pour obtenir des glaçons plus limpides, sélectionnez le mode **3 ICE**.
- Le temps requis pour produire des glaçons peut varier selon les conditions de fonctionnement.
- Le bac à glaçons peut contenir de 20 à 30 glaçons en boule.

### Machine à glaçons du congélateur (mini cubes de glace)

Cette fonctionnalité est offerte sur certains modèles seulement.



- ❶ Levier

#### ⚠ MISE EN GARDE

- N'insérez pas la machine **Mini Cubed Ice** dans le bac à glaçons situé dans la porte, car il pourrait endommager le distributeur d'eau et de glaçons.

#### REMARQUE

- La machine à glaçons automatique du congélateur produit de 20 à 30 cubes à la fois, de 1,3 à 1,7 lb par période de 24 heures si les conditions sont favorables. Cette quantité peut varier selon l'environnement (la température ambiante autour de l'appareil, le nombre de fois où la porte est ouverte, la quantité d'articles dans l'appareil, etc.).
- Les glaçons stockés dans le bac à glaçons pendant une période prolongée peuvent s'agglutiner et vous pourriez éprouver de la difficulté à les séparer. Dans ce cas, videz complètement le bac à glaçons et nettoyez-le avant de le remettre en place.
- Selon la pression d'eau ou conditions autre, la machine à glaçons risque produire des cubes liés plutôt que des glaçons individuels. Les cubes se séparent facilement lorsqu'ils sont ajoutés aux boissons.

## Mise en marche et arrêt de la machine à glaçons

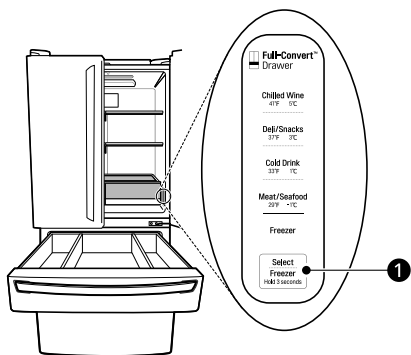
Pour mettre la machine à glaçons automatique en marche ou à l'arrêt, appuyez sur l'interrupteur d'alimentation situé sur la machine à glaçons et mettez-le en position ON ( | ) or OFF (O).

## Tiroir Full Convert<sup>MC</sup>

Cette fonctionnalité est offerte sur certains modèles seulement.

### Utilisation du tiroir Full-Convert

Le tiroir Full-Convert offre de l'espace de rangement et une commande de température variable qui permet de maintenir ce compartiment à une température inférieure ou supérieure à celle du réfrigérateur. Le panneau de contrôle du tiroir se trouve sur la paroi intérieure droite du réfrigérateur.



### Mode Réfrigérateur

Pour utiliser le tiroir convertibles à des fins de réfrigération, appuyez plusieurs fois sur la touche **Select/Freezer** ① pour faire défiler les quatre réglages de température. Conservez la viande et les fruits de mer à 29 °F (-1 °C), les boissons froides à 33 °F (1 °C), les charcuteries et collations à 37 °F (3 °C), et le vin à 41 °F (5 °C).

### ⚠ MISE EN GARDE

- Rangez les fruits et les légumes dans les bacs à légumes.
- Rangez la viande et le poisson au congélateur si vous souhaitez les conserver pendant plus de quelques jours.

### Mode Congélateur

Pour utiliser le tiroir convertibles à des fins de congélation, appuyez sur la touche **Select/Freezer**

① et maintenez-la enfoncée pendant au moins 3 secondes. Lorsque le tiroir convertibles est réglé au mode Congélateur, sa température est la même que celle du congélateur.

- Appuyez sur la touche pour modifier la température du tiroir.
- Pour revenir au mode Réfrigérateur, appuyez sur la touche pendant au moins trois secondes.

### ⚠ MISE EN GARDE

- Ne rangez pas de bouteilles en verre ni de canettes dans le tiroir convertibles lorsque celui-ci est réglé au mode Congélateur, car les contenants pourraient se rompre.
- Avant de faire passer le tiroir au mode Réfrigérateur, mettez les aliments congelés au congélateur. Autrement, les aliments congelés pourraient décongeler et se gâter.
- Ne touchez pas les composants métalliques du tiroir convertibles si vos mains sont mouillées ou humides. Cela pourrait entraîner des gelures.

## 42 FONCTIONS INTELLIGENTES

# FONCTIONS INTELLIGENTES

## Application LG ThinQ

Cette fonction n'est offerte que sur les modèles dotés du Wi-Fi.

L'application **LG ThinQ** vous permet de communiquer avec l'appareil à l'aide d'un téléphone intelligent.

### Caractéristiques de l'application LG ThinQ

† Cette fonctionnalité est offerte sur certains modèles seulement.

- **Smart Learner**<sup>†</sup>
  - Offre une expérience plus personnalisée basée sur l'analyse de vos habitudes d'utilisation.
- **Mode Sabbat intelligent**<sup>†</sup>
  - Active ou désactive le mode Sabbat et définit le calendrier d'activation du mode.
- **Surveillance de la consommation d'énergie**<sup>†</sup>
  - Cette fonctionnalité permet de suivre la consommation énergétique du réfrigérateur ainsi que le nombre de fois où la porte est ouverte.
- **Contrôle à distance**<sup>†</sup>
  - Contrôle la température du réfrigérateur, le filtre à air et la fonctionnalité Ice Plus à l'aide de l'application pour téléphone intelligent.
- **Messages automatiques**<sup>†</sup>
  - Si la porte reste ouverte pendant plus de dix minutes, vous recevrez un message automatisé. Lorsque la fonction Ice Plus est terminée, vous recevrez aussi un message automatisé.
- **Smart Diagnosis**<sup>MC</sup>
  - Cette fonction fournit des renseignements utiles pour diagnostiquer et résoudre les problèmes avec l'appareil en se basant sur le profil d'utilisation.
- **Paramètres**
  - Cette fonctionnalité vous permet de régler diverses options du réfrigérateur et de l'application.

### REMARQUE

- Si vous changez de routeur sans fil, fournisseur de services Internet ou mot de passe, supprimez

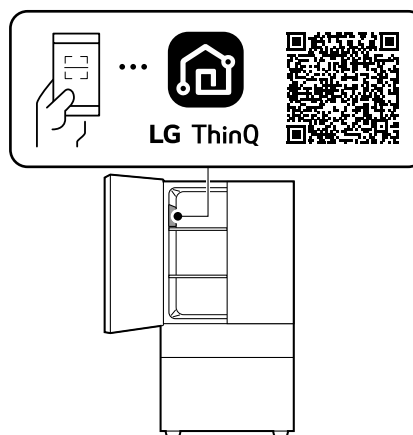
l'appareil connecté à l'application **LG ThinQ** et reconnectez-le.

- Cette information est à jour au moment de la publication. L'application est sujette à des modifications à des fins d'amélioration du produit, et ce, sans que l'utilisateur en soit préalablement avisé.

### Installation de l'application LG ThinQ et connexion d'un appareil de LG

#### Modèles avec un code QR

Balayez le code QR ci-joint au produit en utilisant l'appareil photo ou un lecteur de codes QR sur votre téléphone intelligent.



#### Modèles sans code QR

- 1 À partir d'un téléphone intelligent, cherchez l'application **LG ThinQ** dans la boutique Google Play ou l'App Store d'Apple.
- 2 Lancez l'application **LG ThinQ**, connectez-vous à votre compte, ou créez un compte LG.
- 3 Appuyez sur le bouton Ajouter (+) sur l'application **LG ThinQ** pour connecter votre appareil de LG. Suivez les instructions de l'application pour terminer le processus.

**REMARQUE**

- Pour connaître l'état de connexion au réseau Wi-Fi, vérifiez que l'indicateur Wi-Fi est allumé sur le panneau de commande.
- L'appareil prend seulement en charge les réseaux Wi-Fi de 2,4 GHz. Pour vérifier la fréquence de votre réseau, contactez votre fournisseur de services Internet ou reportez-vous au manuel de votre routeur sans fil.
- **LG ThinQ** n'est pas responsable des problèmes de connexion au réseau ou des défauts, dysfonctionnements ou erreurs causés par la connexion au réseau.
- L'environnement sans fil peut causer un ralentissement du fonctionnement du réseau sans fil.
- S'il y a une trop grande distance entre l'appareil et le routeur sans fil, l'intensité du signal s'affaiblit. La connexion peut prendre du temps, ou l'installation de l'application peut échouer.
- Si l'appareil a des difficultés à se connecter au réseau Wi-Fi, il est peut-être trop loin du routeur. Procurez-vous un répéteur Wi-Fi (rallonge de portée) pour améliorer la force du signal Wi-Fi.
- La connexion réseau peut ne pas fonctionner correctement selon le fournisseur de services Internet.
- La connexion Wi-Fi peut ne pas se faire ou être interrompue à cause de l'environnement du réseau domestique.
- Si l'appareil ne peut pas se connecter en raison de problèmes avec la transmission du signal sans fil, débranchez l'appareil et attendez environ une minute avant de réessayer.
- Si le pare-feu de votre routeur sans fil est activé, désactivez-le ou ajoutez-y une exception.
- Le nom du réseau sans fil (SSID) doit être une combinaison de lettres et de chiffres anglais. (N'utilisez pas de caractères spéciaux.)
- L'interface utilisateur (IU) du téléphone intelligent peut varier en fonction du système d'exploitation (SE) mobile et du fabricant.
- Si le protocole de sécurité du routeur est configuré sur **WEP**, la configuration du réseau peut échouer. Veuillez changer le protocole de sécurité (nous recommandons **WPA2**) et connectez le produit de nouveau.
- Pour désactiver la fonction Wi-Fi, maintenez la touche **Wi-Fi** enfoncée pendant 3 secondes. L'indicateur Wi-Fi s'éteindra.
- Pour reconnecter l'appareil ou ajouter un autre utilisateur, maintenez la touche **Wi-Fi** enfoncée pendant trois secondes pour l'éteindre

temporairement. Exécutez l'application **LG ThinQ** et suivez les instructions de l'application pour connecter l'appareil.

**Caractéristiques de l'équipement radio**

Pour identifier le module RF installé dans l'appareil, reportez-vous à l'étiquette jointe à l'appareil.

Nom du modèle	LCWB-001
<b>Gamme de fréquences du réseau local sans fil</b>	2412 - 2462 MHz
<b>Puissance de sortie (max.) du réseau local sans fil</b>	< 30 dBm
<b>Gamme de fréquences Bluetooth</b>	2402 - 2480 MHz
<b>Puissance de sortie (max.) Bluetooth</b>	< 30 dBm

Nom du modèle	LCW-007
<b>Gamme de fréquences du réseau local sans fil</b>	2412 - 2462 MHz
<b>Puissance de sortie (max.) du réseau local sans fil</b>	< 30 dBm

**Déclaration de la FCC**

Cet équipement a été testé et déclaré conforme aux limites d'un appareil numérique de classe B, conformément à la partie 15 des règles de la FCC pour le module émetteur et à la partie 18 des règles de la FCC pour cet équipement. Ces limites sont conçues pour fournir une protection raisonnable contre les interférences nuisibles dans une installation résidentielle. Cet équipement génère, utilise, et peut émettre des fréquences radio et, s'il n'est pas installé et utilisé conformément aux instructions, peut causer des interférences nuisibles aux communications radio. Cependant, il n'y a aucune garantie que des interférences ne se produiront pas dans une installation particulière. Si cet équipement provoque des interférences nuisibles à la réception de la radio ou de la télévision, ce qui peut être déterminé en éteignant et en allumant l'équipement, l'utilisateur est encouragé à essayer de corriger les interférences en prenant une ou plusieurs des mesures suivantes :

## 44 FONCTIONS INTELLIGENTES

- Réorientez ou déplacez l'antenne de réception.
- Augmentez la distance entre l'équipement et le récepteur.
- Branchez l'appareil sur un circuit électrique différent de celui où le récepteur est branché.
- Contactez votre revendeur ou un technicien radio/télévision expérimenté.

Cet appareil (module émetteur contenu dans ce produit) est conforme à la partie 15 des règles de la FCC. Son fonctionnement est soumis aux deux conditions suivantes :

- (1) L'appareil ne doit pas produire de brouillage; et
- (2) L'appareil doit accepter tout brouillage radioélectrique subi, même si le brouillage est susceptible d'en compromettre le fonctionnement.

Tout changement ou toute modification apportés à cet appareil et qui ne sont pas approuvés de manière explicite par le fabricant sont susceptibles d'annuler l'autorité de l'utilisateur quant à utiliser l'appareil.

### Énoncé FCC sur l'exposition aux radiations RF

Cet équipement est conforme aux limites de radiation de la FCC définies pour un environnement non contrôlé. Cet appareil et ses antennes ne doivent pas être colocalisés ou opérés en conjonction avec tout autre antenne ou transmetteur.

Cet appareil doit être installé et utilisé de façon à maintenir une distance minimale de 20 cm (7,8 po) entre l'antenne et l'utilisateur. Les utilisateurs doivent respecter les directives d'utilisation afin de satisfaire aux critères en matière d'exposition aux rayonnements RF.

### Avis d'Industrie Canada

L'émetteur/récepteur exempt de licence contenu dans le présent appareil est conforme aux CNR d'Innovation, Sciences et Développement économique Canada applicables aux appareils radio exempts de licence. L'exploitation est autorisée aux deux conditions suivantes:

- (1) Cet appareil ne doit pas provoquer d'interférences
- (2) Cet appareil doit accepter toutes les interférences, y compris celles pouvant entraîner son dysfonctionnement.

### Énoncé d'IC concernant l'exposition à la radiation

Cet appareil est conforme aux limites d'exposition aux rayonnements d'Industrie Canada pour un environnement non contrôlé.

Cet appareil doit être installé et utilisé de façon à garder une distance minimale de 20 cm (7,8 pouces) entre la source de rayonnement et votre corps.

#### REMARQUE

- LE FABRICANT N'EST PAS RESPONSABLE DES INTERFÉRENCES RADIOÉLECTRIQUES CAUSÉES PAR DES MODIFICATIONS NON AUTORISÉES APPORTÉES À CET APPAREIL. DE TELLES MODIFICATIONS POURRAIENT ANNULER L'AUTORISATION ACCORDÉE À L'UTILISATEUR DE FAIRE FONCTIONNER L'APPAREIL.

### Renseignements sur l'avis de logiciel libre

Pour obtenir le code source conformément aux dispositions de la licence publique générale, de la licence publique générale limitée, de la licence publique Mozilla et de toute autre licence régissant les logiciels à code source libre contenus dans ce produit et exigeant la divulgation du code source, visitez le site <https://opensource.lge.com>. En plus du code source, toutes les dispositions de licence, les avis de droits d'auteurs et autres documents pertinents peuvent aussi être consultés.

LG Electronics mettra également à votre disposition le code source libre sur CD-ROM pour un prix couvrant le coût de la distribution (coût du support, de l'expédition et de la manutention) sur simple demande par courriel à l'adresse [opensource@lge.com](mailto:opensource@lge.com).

Cette offre est valable pour une période de trois ans après notre dernière expédition de ce produit et s'applique à toute personne ayant reçu ces renseignements.

### Fonction Smart Grid

Lorsque le réfrigérateur est en mode Smart Grid, la fonction Réfrigérateur intelligent peut contrôler l'utilisation de l'énergie ou retarder la mise en marche de certaines fonctions afin d'économiser l'énergie durant les périodes de pointe.



- Vous pouvez annuler la fonction Smart Grid en tout temps (au moyen de la touche ou de l'application **Smart Grid**).
- Pour utiliser la fonction Smart Grid, vous devez enregistrer l'appareil auprès de votre fournisseur d'électricité, à condition que celui-ci prenne en charge cette fonction. Autrement dit, la fonction Smart Grid ne sera pas disponible si votre fournisseur d'électricité ne prend pas en charge la fonction ou n'a pas la capacité de la prendre en charge.

## Fonctionnalités de l'application Smart Grid

- Économie intelligente\_Gestion de la demande
  - Vous pouvez réduire l'utilisation énergétique en fonction des signaux de gestion de la demande (GD) provenant de la société de services publics. Si le réfrigérateur est en mode d'économie intelligente selon les signaux de gestion de la demande, vous verrez apparaître une fenêtre.
- Économie d'énergie en saison
  - Réduisez la consommation selon la période de l'année.

# ENTRETIEN

## Nettoyage

### ⚠ AVERTISSEMENT

- Utilisez un produit de nettoyage ininflammable. Ne pas le faire pourrait entraîner un incendie, une explosion ou des blessures mortelles.

### ⚠ MISE EN GARDE

- N'utilisez pas de chiffons ou d'éponges rugueuses pour nettoyer l'intérieur et l'extérieur du réfrigérateur.
- Ne placez pas votre main sur la surface inférieure du réfrigérateur quand vous ouvrez ou fermez les portes.

## Conseils généraux de nettoyage

- Les sections du réfrigérateur et du congélateur se dégivrent automatiquement, mais nettoyez les deux sections une fois par mois pour éviter les odeurs.
- Essuyez immédiatement les aliments renversés.
- Débranchez toujours le réfrigérateur ou coupez le courant avant de le nettoyer.
- Enlevez toutes les pièces amovibles, telles que les étagères, les bacs à légumes et fruits, etc.
- Utilisez une éponge propre ou un chiffon et un détergent doux avec de l'eau chaude. N'utilisez pas de produits de nettoyage abrasifs ou forts.
- Lavez à la main, rincez et séchez soigneusement toutes les surfaces.

## Extérieur

Pour les appareils avec un extérieur noir en acier inoxydable, vaporisez du nettoyant à vitres sur un linge en microfibre propre et frottez dans le sens du grain. Ne vaporisez pas de nettoyant à vitres directement sur l'écran. N'utilisez pas de produits de nettoyage abrasifs ou forts.

Pour les appareils avec un extérieur en acier inoxydable normal, frottez dans le sens du grain à l'aide d'un linge en microfibre propre et mouillé. Essuyez avec du papier essuie-tout pour éviter les marques. Pour éliminer les taches tenaces et les marques laissées par les doigts, versez quelques gouttes de savon à vaisselle liquide dans de l'eau et lavez la surface avec ce mélange, rincez à l'eau chaude, puis séchez. N'utilisez pas de produits de nettoyage abrasifs ou forts.

Pour nettoyer les produits dotés d'une porte en verre réfléchissant, utilisez le chiffon en microfibre fourni avec le produit. Pour éliminer les taches plus facilement, vaporisez le chiffon avec un nettoyant pour vitres et essuyez la surface.

## Capteur de proximité

Cette fonctionnalité est offerte sur certains modèles seulement.

Un capteur de proximité est installé sur le bas de la porte du réfrigérateur. L'accumulation de poussière peut affecter les performances du capteur de proximité. Nettoyez régulièrement le capteur. Utilisez une éponge propre ou un chiffon doux et un détergent doux dans de l'eau chaude. N'utilisez pas de nettoyants pour vitres, de nettoyants abrasifs ou de liquides inflammables. Ceux-ci peuvent rayer ou endommager le matériau. Séchez avec une serviette en papier pour éviter les traces.

## Parois intérieures

- Laissez le congélateur se réchauffer pour éviter que le chiffon colle.

Pour éliminer les odeurs, vous pouvez laver l'intérieur du réfrigérateur avec un mélange de bicarbonate de soude et d'eau chaude. Mélangez deux cuillères à soupe de bicarbonate de soude à un litre d'eau (26 g de bicarbonate de soude pour un litre d'eau). Assurez-vous que le bicarbonate de soude est complètement dissous afin de ne pas rayer les surfaces du réfrigérateur.

## Revêtements et joints de porte

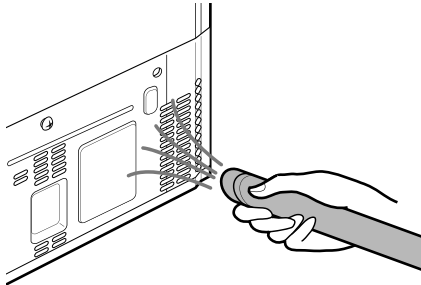
Utilisez une éponge propre ou un chiffon et un détergent doux avec de l'eau chaude. N'utilisez pas de cire de nettoyage, de détergent concentré, d'eau de Javel ou de nettoyant contenant du pétrole sur les pièces en plastique du réfrigérateur.

## Pièces en plastique (couvertres et panneaux)

Utilisez une éponge propre ou un chiffon et un détergent doux avec de l'eau chaude. N'utilisez pas de produits nettoyants pour vitres, de nettoyants abrasifs ou de liquides inflammables. Ces produits peuvent rayer ou endommager la surface.

## Serpentins du condensateur

Utilisez un aspirateur muni d'un embout plat court pour nettoyer le couvercle du condensateur et ses événements. Ne retirez pas le panneau qui recouvre la zone du condensateur.




## Filtre à air

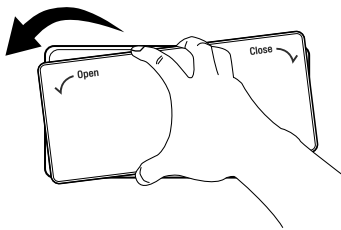
Cette fonctionnalité est offerte sur certains modèles seulement.

### Remplacement du filtre à air frais

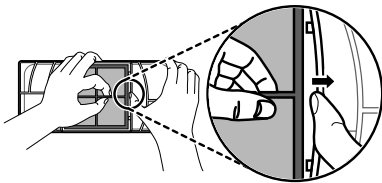
Il est recommandé de changer le filtre à air frais:

- Environ tous les six mois.
- Lorsque l'icône **Replace Filter**  s'allume.
- Filtre à air de remplacement à utiliser : LT120F

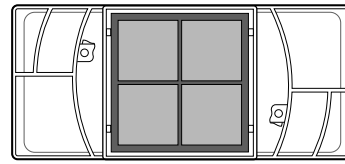
- 1 Tournez le couvercle du filtre dans le sens antihoraire pour relâcher les languettes et retirer le couvercle.



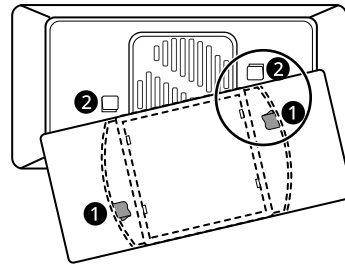
- 2 Pour retirer le filtre qui se trouve à l'intérieur du couvercle, appuyez sur le pourtour du filtre, puis tirez sur sa partie centrale.



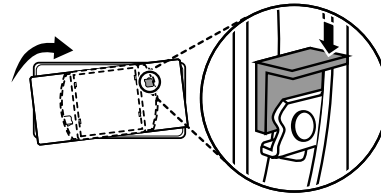
- 3 Placez le nouveau filtre à l'intérieur du couvercle en veillant à ce que le côté sur lequel se trouve le mot **FRONT** soit tourné vers l'extérieur.



- 4 Aligned les languettes ① du couvercle du filtre avec les crochets ② qui se trouvent sur la paroi du réfrigérateur.



- 5 Tournez le filtre à air dans le sens horaire jusqu'à ce que les crochets s'agrippent au couvercle et que celui-ci s'enclenche.



- 6 Maintenez la touche **Fresh Air Filter** enfoncée pendant trois secondes pour réinitialiser le capteur du filtre.



## Filtre à eau

### Avant de remplacer le filtre à eau

#### ⚠ AVERTISSEMENT

- Afin de réduire les risques d'étouffement, n'autorisez pas les enfants de moins de 3 ans à avoir accès aux petites pièces pendant l'installation de ce produit.
- Afin de réduire le risque associé à l'ingestion de produits contaminants, n'utilisez pas d'eau insalubre ou de qualité inconnue sans désinfection adéquate en amont ou en aval du système.

## 48 ENTRETIEN

### ⚠ AVERTISSEMENT

- L'utilisation de filtres à eau non autorisés peut entraîner un dysfonctionnement du produit, une fuite d'eau ou des problèmes de qualité de l'eau, qui ne seront pas couverts par la garantie du produit.

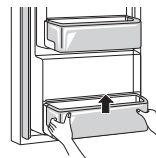
### ⚠ MISE EN GARDE

- Lisez et suivez les instructions d'utilisation avant l'installation et l'utilisation de ce système.
- L'installation et l'utilisation DOIVENT être conformes à l'ensemble des codes de plomberie régionaux et locaux en vigueur.
- N'installez pas le produit si la pression d'eau dépasse 120 psi (827 kPa). Si la pression d'eau dépasse 80 psi, vous devez installer une valve de limitation de pression. Faites appel à un plombier si vous ne savez pas comment vérifier la pression d'eau.
- N'installez pas ce produit dans des conditions propices aux coups de bélier. Si de telles conditions sont présentes, vous devez installer un dispositif antibélier. Faites appel à un plombier professionnel si vous avez des doutes sur la manière de contrôler ces conditions.
- N'installez pas ce produit sur des conduites d'alimentation en eau chaude. La température maximale de l'eau pendant le fonctionnement de ce système est de 37,8 °C (100 °F).
- Protégez le filtre contre le gel. Vidangez le filtre lorsque la température descend sous 4,4 °C (40 °F).
- La cartouche du filtre jetable DOIT être remplacée tous les six mois, selon la capacité évaluée, ou plus tôt si le débit ralentit de façon manifeste.
- Pour protéger l'appareil contre le gel, retirez la cartouche du filtre lorsque les températures risquent de descendre sous 0 °C (33 °F).
- N'installez pas ces systèmes dans des régions où les températures ambiantes peuvent dépasser 43,3 °C (110 °F).
- Si un dispositif de prévention du refoulement est installé sur le système, un dispositif permettant de contrôler la pression résultant de la dilatation thermique doit être installé.
- Vérifiez que tous les tuyaux et les raccords sont bien serrés et étanches.

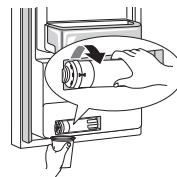
## Remplacement du filtre à eau (Type A)

- Remplacez le filtre à eau :
  - Environ tous les six mois.
  - Lorsque l'indicateur de **Water Filter** s'allume.
  - Lorsque la sortie d'eau du distributeur diminue.
- Pour acheter un filtre à eau de rechange :
  - Rendez-vous chez un détaillant ou un distributeur
  - Faites une recherche en tapant les mots « filtre à eau » sur le site lg.com.
  - Cartouche de remplacement à utiliser : LT1000P, LT1000PC, LT1000PCS ou ADQ747935\*\*

- 1 Enlevez le bac de la porte.



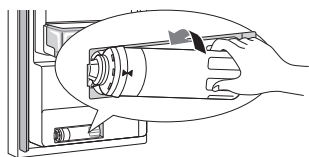
- 2 Enlevez le filtre à eau jetable.



### REMARQUE

- Le remplacement du filtre à eau provoque le drainage d'une petite quantité d'eau (environ 25 ml ou 1 oz).
- Enveloppez l'extrémité avant du couvercle du filtre à eau avec un linge pour recueillir l'eau qui s'écoulera. Une fois le filtre à eau retiré, tenez-le en position verticale pour éviter que de l'eau restante s'en échappe.

- 3 Remplacez le filtre par un nouveau filtre à eau. Insérez le nouveau filtre dans la tête du filtre et tournez-le dans le sens horaire jusqu'à ce que la flèche sur le nouveau filtre soit alignée avec la flèche sur la tête du filtre. Remplacez le filtre dans le compartiment.



- 4 Remplacez le bac de la porte.
- 5 Après avoir remplacé le filtre, maintenez la touche **Water Filter** enfoncée pendant trois secondes pour réinitialiser le témoin lumineux.
- 6 Une fois que le filtre à eau a été remplacé, faites couler environ neuf litres d'eau (ce qui prendra environ cinq minutes) pour éliminer l'air et les contaminants du système.

#### REMARQUE

- Ne faites pas couler les neuf litres d'eau de façon continue. Appuyez et relâchez la touche du distributeur pour des cycles de 30 secondes en position de marche et de 60 secondes en position d'arrêt.


#### ⚠ MISE EN GARDE

- LG vous recommande fortement d'utiliser des filtres à eau autorisés par LG pour éviter tout problème lié à la qualité de l'eau, aux fuites d'eau et au mauvais fonctionnement de l'appareil.

Pour plus de renseignements, appelez au

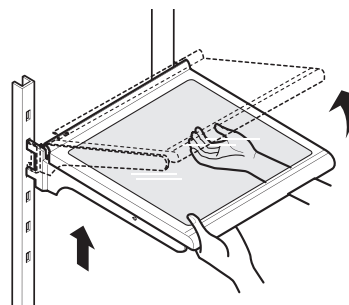
- 1 800 243-0000 (É.-U.)
- 1 888 542-2623 (Canada)

### Remplacement du filtre à eau (Type B)

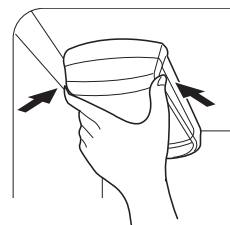
- Remplacez le filtre à eau :
  - Environ tous les six mois.
  - Lorsque l'icône  de remplacement de filtre ou la lumière de l'indicateur s'allume.
  - Lorsque la sortie d'eau du distributeur diminue.
- Pour acheter un filtre à eau de rechange :
  - Rendez-vous chez un détaillant ou un distributeur
  - Faites une recherche en tapant les mots « filtre à eau » sur le site lg.com.

- Cartouche de remplacement à utiliser : LT1000P, LT1000PC, LT1000PCS ou ADQ747935\*\*

- 1 Si la clayette supérieure, située sous le filtre à eau, est dans la position la plus haute, vous devrez la retirer avant de remplacer le filtre à eau.
  - Pour retirer une clayette, inclinez la partie avant de la clayette vers le haut et soulevez-la. Retirez la clayette.



- 2 Appuyez sur les côtés pour ouvrir le couvercle du filtre à eau.

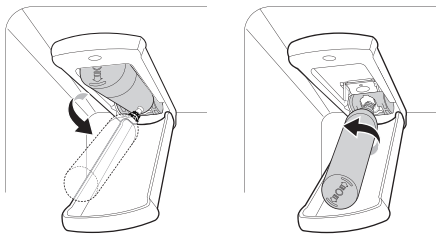


- 3 Tirez le filtre à eau vers le bas, tournez-le dans le sens antihoraire, puis retirez-le.
  - Assurez-vous de faire pivoter complètement le filtre vers le bas avant de le retirer de l'orifice du collecteur.

#### REMARQUE

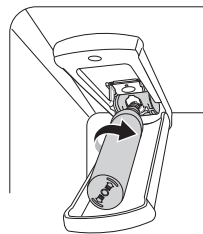
- Le remplacement du filtre à eau provoque le drainage d'une petite quantité d'eau (environ 25 ml ou 1 oz).
- Enveloppez l'extrémité avant du couvercle du filtre à eau avec un linge pour recueillir l'eau qui s'écoulera. Une fois le filtre à eau retiré, tenez-le en position verticale pour éviter que de l'eau restante s'en échappe.

## 50 ENTRETIEN

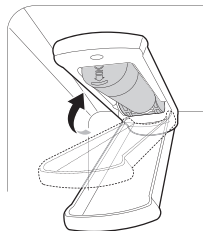


### 4 Remplacez avec un nouveau filtre à eau

- Sortez le nouveau filtre à eau de son emballage et retirez le couvercle de protection des joints toriques. En plaçant les languettes du filtre à eau en position horizontale, enfoncez le nouveau filtre à eau dans l'orifice du collecteur et tournez-le dans le sens horaire jusqu'à ce qu'il s'arrête.



### 5 Fermez le couvercle du filtre à eau. Vous entendrez un clic lorsque le couvercle sera fermé adéquatement.



### 6 Une fois que le filtre à eau a été remplacé, faites couler environ neuf litres d'eau (ce qui prendra environ cinq minutes) pour éliminer l'air et les contaminants du système.

#### REMARQUE

- Ne faites pas couler les neuf litres d'eau de façon continue. Appuyez et relâchez la touche du distributeur pour des cycles de 30 secondes en position de marche et de 60 secondes en position d'arrêt.

### 7 Une fois le filtre remplacé, maintenez la touche **Water Filter** enfoncée pendant trois secondes pour réinitialiser le capteur du filtre.

#### ⚠ MISE EN GARDE

- LG vous recommande fortement d'utiliser des filtres à eau autorisés par LG pour éviter tout problème lié à la qualité de l'eau, aux fuites d'eau et au mauvais fonctionnement de l'appareil.
- Pour plus de renseignements, appelez au
  - 1 800 243-0000 (É.-U.)
  - 1 888 542-2623 (Canada)

## Fiche technique des performances

Modèle : LT1000P, LT1000PC, LT1000PCS

Code de dénomination commerciale du système NSF : MDJ64844601

La concentration des substances indiquées présentes dans l'eau entrant dans le circuit a été réduite à une concentration inférieure ou égale à la limite autorisée pour l'eau quittant le circuit, selon les spécifications NSF/ANSI des normes 42, 53 et 401.

FRANÇAIS



Le système a été soumis à des essais et est certifié en vertu de NSF International, conformément aux normes 42, 53 et 401 de la NSF/ANSI pour ce qui est de la réduction de la concentration des substances mentionnées ci-dessous.

Réduction des substances	Concentration ion moyenne	Concentration visée par NSF	% de la diminution moyenne	Concentration moyenne d'eau dans le produit	Concentration d'eau maximale permise dans le produit	Exigences NSF de diminution
Goût et odeur de chlore	2.0 µg/L	2.0 µg/L ± 10%	> 97,5 %	0.050 µg/L	s. o.	≥ 50.00%
Particules nominales de classe I, ≥ 0,5 à < 1,0 µm	12 000 000 pts/ml	Au moins 10 000 particules/ml	99,80%	24 000 pts/ml	s. o.	≥ 85.00%
Amiante	180 MFL	10 <sup>7</sup> à 10 <sup>8</sup> MFL; longueur des fibres supérieures à 10 µm	> 99,00 %	< 1 MFL	s. o.	≥ 99.00%
Atrazine	8.5 µg/L	9.0 µg/L ± 10%	> 94,10 %	0.500 µg/L	3.0 µg/L	s.o.
Benzène	15.0 µg/L	15.0 µg/L ± 10%	> 96,60 %	0.510 µg/L	5.0 µg/L	s.o.
Carbofuran	74.0 µg/L	80.0 µg/L ± 10%	98,30%	1.258 µg/L	40 µg/L	s.o.
Lindane	1.9 µg/L	2.0 µg/L ± 10%	> 99,00 %	0.019 µg/L	0.2 µg/L	s.o.
P-Dichlorobenzène	230.0 µg/L	225.0 µg/L ± 10%	> 99,80 %	0.460 µg/L	75.0 µg/L	s.o.
2,4-D	210.0 µg/L	210.0 µg/L ± 10%	> 99,90 %	0.210 µg/L	70.0 µg/L	s.o.
Plomb pH @ 6,5	140.0 µg/L	150.0 µg/L ± 10%	99,60%	0.560 µg/L	10.0 µg/L	s.o.
Plomb pH @ 8,5	150.0 µg/L	150.0 µg/L ± 10%	> 99,70 %	<0.500 µg/L	10.0 µg/L	s.o.
Mercure à pH 6,5	5.9 µg/L	6.0 µg/L ± 10%	91,00%	0.531 µg/L	2.0 µg/L	s.o.
Mercure à pH 8,5	5.6 µg/L	6.0 µg/L ± 10%	92,5%	0.420 µg/L	2.0 µg/L	s.o.
Sporocyste*	100 000 sporocystes /l	Au minimum 50 000 sporocystes/L	> 99,99 %	10 sporocystes/l	s. o.	≥ 99,95%
Aténolol	240 ng/l	200 ± 40 % ng/l	> 95,50 %	10,80 ng/l	30 ng/l	s.o.
Carbamazépine	1600 ng/l	1400 ± 40 % ng/l	98,40%	25,60 ng/l	200 ng/l	s.o.
DEET	1600 ng/l	1400 ± 40 % ng/l	97,10%	46,40 ng/l	200 ng/l	s.o.
Triméthoprim	170 ng/l	140 ± 40 % ng/l	> 96,80 %	5,44 ng/l	20 ng/l	s.o.
Linuron	160 ng/l	140 ± 40 % ng/l	> 96,60 %	5,44 ng/l	20 ng/l	s.o.
Phénytoïne	200 ng/l	200 ± 40 % ng/l	> 94,80 %	10,40 ng/l	30 ng/l	s.o.
Ibuprofène	400 ng/l	400 ± 40 % ng/l	> 94,50 %	22,00 ng/l	60 ng/l	s.o.
Naproxen	140 ng/l	140 ± 40 % ng/l	> 96,10 %	5,46 ng/l	20 ng/l	s.o.
Estrone	120 ng/l	140 ± 40 % ng/l	> 96,10 %	4,68 ng/l	20 ng/l	s.o.

## 52 ENTRETIEN

Réduction des substances	Concentration moyenne	Concentration visée par NSF	% de la diminution moyenne	Concentration moyenne d'eau dans le produit	Concentration d'eau maximale permise dans le produit	Exigences NSF de diminution
Bisphénol A	2 000 ng/l	2000 ± 40 % ng/l	> 98,90 %	22,00 ng/l	300 ng/l	s.o.
Nonylphénol	1600 ng/l	1400 ± 40 % ng/l	> 97,10 %	46,40 ng/l	200 ng/l	s.o.

\* Basé sur l'utilisation des ocystes *Cryptosporidium parvum*.

Lignes directrices pour l'application / Paramètres de l'alimentation en eau	
Débit d'utilisation	1,9 l/min (0,5 gal/min)
Alimentation en eau	Réseau municipal ou puits privé - Eau potable
Pression de l'eau	20 à 120 psi (138 à 827 kPa)
Température de l'eau	33 °F – 100 °F (0,6 °C – 37,8°C)
Capacité	757 litres (200 gallons)

Il est essentiel de suivre les recommandations du fabricant relatives à l'installation, à l'entretien et au remplacement du filtre afin que l'appareil fonctionne conformément aux performances annoncées.

### REMARQUE

- Les tests ont été effectués en laboratoire et le rendement peut varier en situation d'utilisation réelle.

Pour obtenir de l'information sur les filtres à eau de rechange, rendez-vous chez un détaillant ou un distributeur ou recherchez les mots « filtre à eau » sur le site [lg.com](http://lg.com).

Pour obtenir de l'aide supplémentaire, communiquez avec le centre d'information à la clientèle de LG Electronics.

É.-U. : 1 800 243-0000

Canada: 1-888-542-2623

### Cartouche de remplacement: LT1000P, LT1000PC, LT1000PCS ou ADQ747935\*\*

LG est une marque de commerce de LG Corp.

NSF est une marque commerciale de NSF International.

Fabriqué par LG Electronics inc. :

170, Sungsanpaechoungro, Seongsan-gu, Gyeongsangnam-do, RÉPUBLIQUE DE CORÉE



# DÉPANNAGE

## FAQ

### Foire aux questions

**Q : Quelles sont les températures optimales pour mon réfrigérateur et mon congélateur?**

R : Le réglage par défaut du congélateur est de 0 °F (-18 °C). Le réglage par défaut du réfrigérateur est de 37 °F (3 °C). Ajustez ces réglages au besoin pour conserver les aliments à la température désirée. Le lait doit être froid quand il est rangé sur l'étagère intérieure du réfrigérateur. La crème glacée doit être ferme, et les glaçons ne doivent pas fondre dans le congélateur. Pour passer d'un affichage en degrés Fahrenheit à un affichage en degrés Celsius, maintenez enfoncées les touches **Freezer** et **Refrigerator** jusqu'à ce que vous entendiez un signal sonore et que les réglages affichés changent.

**Q : Comment puis-je régler la température du réfrigérateur et du congélateur?**

R : Maintenez enfoncée la touche **Refrigerator** ou **Freezer** du panneau de commande jusqu'à ce que la température désirée s'affiche. Les chiffres s'afficheront en ordre décroissant et recommenceront leur cycle si vous maintenez la touche enfoncée.

**Q : Quel est ce bourdonnement que le réfrigérateur émet de temps à autre?**

R : Ce son peut être émis si le réfrigérateur n'est pas alimenté en eau alors que la machine à glaçons est allumée. Si l'alimentation en eau n'est pas raccordée à l'arrière de votre réfrigérateur, vous devriez éteindre la machine à glaçons.

**Q : Pourquoi le plateau de la machine à glaçons semble-t-il courbé?**

R : Il s'agit d'un état normal du cycle de la machine à glaçons. Le plateau de la machine à glaçons peut sembler à niveau ou légèrement incliné. Le changement de position aide au processus de congélation.

**Q : Mon réfrigérateur est sous tension et les commandes fonctionnent, mais il ne refroidit pas et l'afficheur indique « OFF » (voir ci-dessous). Quel est le problème?**

R : Le réfrigérateur est en mode Présentation. Ce mode désactive le refroidissement dans les compartiments du réfrigérateur et du congélateur afin d'économiser l'énergie lorsque l'appareil est présenté en magasin. Lorsque ce mode est activé, l'indication OFF apparaît sur l'afficheur et celui-ci s'éteint après 20 secondes. En laissant une des portes du réfrigérateur ouverte, appuyez 3 fois de suite sur le bouton **Ice Plus** tout en appuyant sur le bouton **Refrigerator**. Le panneau de commande émet un signal sonore et les réglages de température s'affichent pour confirmer que le mode Présentation est désactivé. Utilisez la même procédure pour activer le mode Présentation.



**Q : Mon réfrigérateur est en marche et refroidit les aliments, mais aucune des lumières n'est allumée et les boutons ne fonctionnent pas. L'écran affiche « Sb ».**

R : Le mode Sabbath est activé (inclus sur certains modèles seulement). Pour le désactiver, reportez-vous à la section **Mode Sabbath**.

## 54 DÉPANNAGE

### Avant d'appeler le réparateur

Consultez cette section du manuel avant de demander un service d'entretien; ce faisant, vous économiserez temps et argent.

Pour d'autres éléments de dépannage, consultez le manuel complet en ligne.

#### Wi-Fi

Symptômes	Causes possibles et solutions
L'appareil et le téléphone intelligent n'arrivent pas à se connecter au réseau Wi-Fi.	<p><b>Le mot de passe du réseau Wi-Fi a été saisi de manière incorrecte.</b></p> <ul style="list-style-type: none"> <li>Supprimez votre réseau Wi-Fi domestique et recommencez le processus de connexion.</li> </ul>
	<p><b>Les Données mobiles de votre téléphone intelligent sont activées.</b></p> <ul style="list-style-type: none"> <li>Désactivez les <b>données mobiles</b> de votre téléphone intelligent avant de connecter l'appareil.</li> </ul>
	<p><b>Le nom du réseau sans fil (SSID) est erroné.</b></p> <ul style="list-style-type: none"> <li>Le nom du réseau sans fil (SSID) doit être une combinaison de lettres et de chiffres anglais. (N'utilisez pas de caractères spéciaux.)</li> </ul>
	<p><b>La fréquence du routeur n'est pas de 2,4 GHz.</b></p> <ul style="list-style-type: none"> <li>Seule une fréquence de routeur de 2,4 GHz est prise en charge. Réglez le routeur sans fil à 2,4 GHz et connectez-y l'appareil. Pour connaître la fréquence du routeur, informez-vous auprès de votre fournisseur de services Internet ou du fabricant du routeur.</li> </ul>
	<p><b>L'appareil et le routeur sont trop éloignés l'un de l'autre.</b></p> <ul style="list-style-type: none"> <li>Si la distance entre l'appareil et le routeur est trop grande, le signal peut être faible et la connexion peut ne pas être configurée correctement. Déplacez le routeur afin qu'il soit plus près de l'appareil ou achetez et installez un répéteur Wi-Fi.</li> </ul>
	<p><b>Pendant la configuration du Wi-Fi, l'application demande un mot de passe pour se connecter au produit (sur certains téléphones).</b></p> <ul style="list-style-type: none"> <li>Localisez le nom du réseau qui commence par « LG » sous Paramètres &gt; Réseaux. Notez la dernière partie du nom du réseau. <ul style="list-style-type: none"> <li>Si le nom du réseau ressemble à LGE_Appliance_XX-XX-XX, saisissez lge12345.</li> <li>Si le nom du réseau ressemble à LGE_Appliance_XXXX, saisissez XXXX deux fois à titre de mot de passe. Par exemple, si le nom du réseau est LGE_Appliance_8b92, vous devez saisir 8b928b92 à titre de mot de passe. Dans ce cas, le mot de passe est sensible à la casse et les quatre derniers caractères sont uniques à votre appareil.</li> </ul> </li> </ul>

# GARANTIE LIMITÉE

## Canada

FRANÇAIS

### CONDITIONS

**AVIS D'ARBITRAGE : LA PRÉSENTE GARANTIE LIMITÉE CONTIENT UNE DISPOSITION SUR L'ARBITRAGE QUI EXIGE QUE LE RÈGLEMENT DES DIFFÉRENDS ENTRE VOUS ET LG S'EFFECTUE PAR ARBITRAGE EXÉCUTOIRE PLUTÔT QUE DEVANT UN TRIBUNAL, À MOINS QUE LES LOIS DE VOTRE PROVINCE OU TERRITOIRE L'INTERDISSENT OU QUE, DANS UN AUTRE TERRITOIRE DE COMPÉTENCE, VOUS VOUS PRÉVALIEZ D'UNE OPTION DE RETRAIT. LES RECOURS COLLECTIFS ET LES PROCÈS DEVANT JURY NE SONT PAS AUTORISÉS PAR LE PROCESSUS D'ARBITRAGE. VEUILLEZ VOUS RÉFÉRER CI-DESSOUS À L'ARTICLE « PROCÉDURE DE RÈGLEMENT DE DIFFÉREND ».**

Si votre réfrigérateur LG («Produit») a tombé en panne en raison d'un défaut de matériaux ou de fabrication sous une utilisation normale et appropriée, pendant la période de garantie indiquée ci-dessous, LG Electronics Canada Inc. («LGECI»), à son gré, réparera ou remplacera le «Produit» ou un offrira un remboursement au prorata après réception de la preuve d'achat originale au détail. Cette garantie limitée est valable uniquement qu'à l'acheteur original du «Produit» du détaillant et s'applique uniquement à un produit distribué, cacheté d'un détaillant autorisé et utilisé au Canada, tel que déterminé à la seule discrétion de «LGECI».

<b>PÉRIODE DE GARANTIE (Remarque : Dans le cas où la date d'achat initial ne peut pas être vérifiée, la garantie commence soixante (60) jours après la date de fabrication)</b>			
<b>Réfrigérateur</b>	<b>Système scellé (condensateur, sécheuse, tuyau de raccordement et évaporateur)</b>	<b>Compresseur linéaire / à inversion</b>	
Un (1) an après la date d'achat original de l'appareil.	Un (1) an après la date d'achat original de l'appareil.	Sept (7) ans après la date d'achat original de l'appareil.	Dix (10) ans après la date d'achat original de l'appareil.
Pièces et main-d'œuvre (pièces internes et fonctionnelles uniquement)	Pièces et main-d'œuvre	Pièces uniquement (la main-d'œuvre sera facturée au client)	Pièces uniquement (la main-d'œuvre sera facturée au client)

- Les produits et pièces de remplacement sont garantis pour la portion restante de la période de garantie originale ou quatre-vingt-dix (90) jours, selon la période la plus longue.
- Les produits et pièces de rechange peuvent être neufs, reconditionnés, remis à neuf ou autrement fabriqués en usine, tous à la seule discrétion de «LGECI».
- Une preuve de l'achat original détaillant le modèle du produit et la date d'achat est exigée pour obtenir le service de garantie en vertu de cette garantie limitée.

**LA RESPONSABILITÉ DE LGECI EST LIMITÉE À LA GARANTIE LIMITÉE EXPRIMÉE CI-DESSUS. SAUF TEL QU'EXPRESSÉMENT FOURNI CI-DESSUS, LGECI DÉCLINE TOUTE AUTRE GARANTIE ET CONDITION CONCERNANT LE PRODUIT, EXPLICITE OU IMPLICITE, Y COMPRIS, MAIS SANS S'Y LIMITER, TOUTE GARANTIE IMPLICITE OU CONDITION DE QUALITÉ MARCHANDE OU D'ADAPTATION À UN USAGE PARTICULIER, ET AUCUNE REPRÉSENTATION NE SERA LIÉE À LGECI. LGECI N'AUTORISE AUCUNE PERSONNE À CRÉER OU ENOSSER À SA PLACE QUELCONQUE AUTRE OBLIGATION DE GARANTIE OU RESPONSABILITÉ RELATIVE AU PRODUIT. DANS LA MESURE OÙ TOUTE GARANTIE OU CONDITION EST IMPLICITE PAR LA LOI, ELLE EST LIMITÉE À LA PÉRIODE DE GARANTIE DÉCLARÉE CI-DESSUS. EN AUCUN CAS, LGECI, LE FABRICANT OU LE DISTRIBUTEUR DU PRODUIT, NE SERA TENU RESPONSABLE DE TOUT DOMMAGE ACCESSOIRE, CONSÉCUTIF, SPÉCIAL, DIRECT, INDIRECT, PUNITIF OU EXEMPLAIRE, Y COMPRIS, SANS LIMITATION, LA PERTE DE COTE D'ESTIME, PERTE DE PROFITS, PERTE DE PROFITS ANTICIPÉS, PERTE DE REVENUS, PERTE D'UTILISATION OU DE TOUT AUTRE DOMMAGE, QU'IL SOIT PROVENU DIRECTEMENT OU INDIRECTEMENT DE TOUTE INFRACTION CONTRACTUELLE, VIOLATION FONDAMENTALE, DÉLICTEUELLE OU AUTRE, OU DE TOUT ACTE OU OMISSION. LA RESPONSABILITÉ TOTALE DE LGECI, S'IL EN EST, N'OUTREPASSERA PAS LE PRIX D'ACHAT PAYÉ PAR VOUS POUR LE PRODUIT.**

## 56 GARANTIE LIMITÉE

Cette garantie limitée vous donne des droits légaux spécifiques. Vous pouvez également avoir d'autres droits qui varient d'une province à l'autre selon les lois provinciales applicables. Tout terme de cette Garantie limitée qui nie ou modifie toute condition ou garantie implicite en vertu de la loi provinciale est divisible lorsqu'elle est en conflit avec cette loi provinciale sans affecter le reste des termes de cette garantie.

### LA PRÉSENTE GARANTIE LIMITÉE NE COUVRE PAS CE QUI SUIT :

- Tout déplacement du technicien pour : i) livrer, reprendre, installer ou; éduquer comment utiliser le Produit; ii) corriger le câblage ou plomberie; ou iii) rectifier toute réparation ou installation non-autorisée du Produit;
- Dommage ou panne du Produit à performer lors de panne de courant et service électrique inadéquat ou interrompu;
- Dommage ou panne en raison de tuyaux d'eau brisés ou dont l'eau fuit, conduite d'eau gelée, conduite de récupération obstruée, approvisionnement d'eau inadéquat ou interrompu ou ravitaillement d'air inadéquat;
- Dommage ou panne résultant de l'utilisation du Produit dans un environnement corrosif ou contraire aux instructions détaillées dans le manuel d'utilisation du Produit;
- Dommage ou panne du Produit en raison d'accidents, ravageurs et parasites, foudre, vent, feu, inondations, actes de Dieu ou toute autre raison hors du contrôle de LGECI ou du fabricant;
- Dommage ou panne résultant d'utilisation inappropriée ou abusive ou d'installation, réparation ou entretien imparfait du Produit. Réparation imparfaite inclut l'utilisation de pièces non autorisées ou spécifiées par LGECI. Installation ou entretien imparfait inclut toute installation ou entretien contraire aux instructions détaillées au manuel d'utilisation du Produit;
- Dommage ou panne en raison de modification ou altération non autorisée du Produit, ou si utilisé pour fins autres que celle d'appareil ménager domestique, ou dommage ou panne résultant de toute fuite d'eau due à une mauvaise installation du produit;
- Dommage ou panne en raison de courant électrique, tension ou codes de plomberie incorrects;
- Dommage ou panne en raison d'utilisation autre que celle d'appareil ménager domestique normale, incluant, sans limite, l'utilisation commerciale ou industrielle, incluant l'utilisation au bureau commercial ou centre récréatif, ou détaillée autrement au manuel d'utilisation du Produit;
- Dommage ou panne en raison d'utilisation de tout accessoire, composant ou produit nettoyant, incluant, sans limite, filtres à eau non autorisés par LGECI;
- Remplacement de la cartouche du filtre à eau en raison de la pression d'eau située en dehors de la plage de fonctionnement spécifiée ou sédiments excessifs dans l'approvisionnement d'eau;
- Dommage ou panne provoqué par le transport et la manipulation, y compris rayures, bosses, écaillage et/ou autre endommagement à la finition du Produit, à moins qu'un tel dommage résulte d'une fabrication ou de matériaux défectueux et qu'il soit signalé à LGECI dans un délai d'une (1) semaine suivant la livraison du Produit;
- Dommage or articles absents de tout Produit démonstrateur, boîte ouverte, réusiné ou escompté;
- Produit réusiné ou tout Produit vendu "Tel quel", "Où est", "Avec tous défauts", ou toute mise en garde similaire;
- Produit dont le numéro de série original ait été retiré, altéré ou ne peut être facilement déterminé à la discrétion de LGECI;
- Augmentation de la facture d'électricité et dépenses additionnelles d'utilité de quelque manière associée au Produit;
- Tout bruit associé au fonctionnement normal du Produit;
- Remplacement des ampoules, filtres, fusibles ou tout autre élément consommable;
- Remplacement de toute pièce n'étant pas originalement incluse avec le Produit;
- Coûts associés au retrait et/ou réinstallation du Produit pour fins de réparation; et

- Les clayettes, bacs, tiroirs, poignées et accessoires du Produit, sauf les pièces internes / fonctionnelles couvertes par cette garantie limitée.
- La couverture pour réparations à domicile, pour produit sous garantie, sera fournie si le produit se trouve dans un rayon de 150 km du centre de service autorisé (ASC) le plus près, tel que déterminé par LG Canada. Si votre produit est situé à l'extérieur du rayon de 150 km d'un centre de service autorisé, tel que déterminé par LG Canada, il en ira de votre responsabilité d'apporter votre produit, à vos frais, au centre de service (ASC) pour réparation sous garantie.

**Tous coûts et dépenses associés aux circonstances d'exclusion ci-dessus, énumérés sous la rubrique « La présente garantie limitée ne couvre pas ce qui suit », sont à la charge du consommateur.**

AFIN D'OBTENIR SOUTIEN DE GARANTIE ET INFORMATIONS SUPPLÉMENTAIRES VEUILLEZ NOUS APPELER OU VISITER NOTRE SITE WEB :

Appelez le 1 888 542-2623 (7 h à minuit, 365 jours par année) et sélectionnez l'option appropriée du menu, ou visitez notre site Web à l'adresse <http://www.lg.com>.

## PROCÉDURE DE RÈGLEMENT DE DIFFÉREND :

SAUF LA OÙ LA LOI L'INTERDIT, TOUT DIFFÉREND ENTRE VOUS ET LG ASSOCIÉ DE QUELQUE FAÇON QUE CE SOIT À LA PRÉSENTE GARANTIE LIMITÉE SE RÈGLE EXCLUSIVEMENT PAR ARBITRAGE EXÉCUTOIRE PLUTÔT QUE DEVANT UN TRIBUNAL DE DROIT COMMUN. SAUF LA OÙ LA LOI L'INTERDIT, VOUS ET LG RENONCEZ IRRÉVOCABLEMENT À TOUT DROIT À UN PROCÈS DEVANT JURY, AINSI QU'À EXERCER UN RECOURS COLLECTIF OU À Y PARTICIPER.

**Définitions.** Aux fins du présent article, « LG » désigne LG Electronics Canada Inc., ses sociétés mères, ses filiales et ses sociétés affiliées et tous leurs dirigeants, administrateurs, employés, agents, bénéficiaires, détenteurs précédents des mêmes droits, successeurs, cessionnaires et fournisseurs; « différend » et « réclamation » englobent tout différend, réclamation ou litige de quelque sorte que ce soit (fondés sur une responsabilité contractuelle, délictuelle, légale, réglementaire ou découlant d'une ordonnance, par fraude, fausse représentation ou sous quelque régime de responsabilité que ce soit) découlant de quelque façon que ce soit de la vente, des conditions ou de l'exécution du produit ou de la présente Garantie limitée.

**Avis de différend.** Si vous prévoyez engager une procédure d'arbitrage, vous devez d'abord envoyer à LG un préavis écrit d'au moins 30 jours à l'adresse suivante : Équipe juridique LGECI, 20 Norelco Drive, North York, Ontario, Canada M9L 2X6 (l'« avis de différend »). Vous et LG convenez de discuter en toute bonne foi pour tenter de régler le différend à l'amiable. L'avis doit mentionner votre nom, votre adresse, votre numéro de téléphone, le produit faisant l'objet de la réclamation, la nature de la réclamation et la réparation demandée. Si vous et LG ne parvenez pas à régler le différend dans les 30 jours suivant la réception de l'avis de différend par LG, le différend doit être réglé par arbitrage exécutoire conformément à la procédure établie aux présentes. Vous et LG convenez que, tout au long du processus d'arbitrage, les modalités (y compris les montants) de toute offre de règlement formulée par vous ou par LG ne seront pas divulguées à l'arbitre et resteront confidentielles à moins d'accord contraire entre les deux parties ou que l'arbitre règle le différend.

**Entente d'arbitrage exécutoire et renonciation à un recours collectif.** Si la réclamation n'a pu être réglée dans les 30 jours suivant la réception de l'avis de différend par LG, vous et LG convenez de ne régler les réclamations vous opposant que par arbitrage exécutoire au cas par cas, à moins que vous vous prévaliez de l'option de retrait évoquée plus haut ou que vous résidiez dans un territoire de compétences qui interdit la pleine application de cette clause dans le cas de réclamations de ce type (Dans lequel cas, si vous êtes un consommateur, cette clause ne s'appliquera que si vous acceptez expressément l'arbitrage). Dans la mesure où la loi en vigueur le permet, aucun différend entre vous et LG ne peut être combiné ou regroupé avec un différend faisant intervenir le produit ou la réclamation d'une personne ou entité tierce. Plus précisément et sans limiter la portée de ce qui précède, sauf dans la mesure où une telle interdiction n'est pas autorisée en droit, en aucun cas un différend entre vous et LG ne peut être traité dans le cadre d'un recours collectif. Au lieu de l'arbitrage, les parties peuvent tenter une action individuelle devant une cour des petites créances, mais cette action ne peut pas être intentée dans le cadre d'un recours collectif, sauf dans la mesure où une telle interdiction n'est pas autorisée en droit dans votre province ou territoire de compétences pour une réclamation en cause qui nous oppose.

**Règles et procédures d'arbitrage.** Pour soumettre une réclamation à un arbitrage, l'une des deux parties, soit vous ou LG, doit déposer une demande écrite à cet effet. L'arbitrage est privé et confidentiel et s'effectue selon une procédure simplifiée et accélérée devant un arbitre unique choisi par les parties

## 58 GARANTIE LIMITÉE

conformément aux lois et règlements en vigueur portant sur l'arbitrage commercial de votre province ou territoire de résidence. Vous devez également envoyer une copie de votre demande écrite à LG Electronics Canada Inc., Legal Department - Arbitration, 20 Norelco Drive, North York, Ontario M9L 2X6. La présente disposition sur l'arbitrage est régie par les lois et règlements sur l'arbitrage commercial applicables de votre province ou territoire. La sentence arbitrale peut donner lieu à un jugement de n'importe quel tribunal compétent. Toutes les décisions relèvent de l'arbitre, à l'exception des questions associées à la portée et à l'applicabilité de la disposition sur l'arbitrage et à l'arbitrabilité du différend, qui sont du ressort du tribunal. L'arbitre est tenu de respecter les modalités de la présente disposition.

**Droit applicable.** Les lois de votre province ou territoire d'achat régissent la présente Garantie limitée et tout différend entre nous, sauf dans la mesure où de telles lois sont supplantées par des lois fédérales, provinciales ou territoriales applicables ou sont incompatibles avec ces dernières. Si l'arbitrage n'est pas autorisé pour régler une réclamation, une poursuite, un différend ou un litige nous opposant, nous nous remettons à la compétence exclusive des tribunaux de votre province ou territoire d'achat compétence pour le règlement de la réclamation, de la poursuite, du différend ou du litige nous opposant.

**Coûts/frais.** Vous n'avez pas besoin de payer des frais pour engager l'arbitrage. À la réception de votre demande d'arbitrage écrite, LG réglera rapidement la totalité des frais de dépôt de la demande d'arbitrage, sauf si vous réclamez des dommages-intérêts supérieurs à 25 000 \$. Dans ce cas, le paiement de ces frais sera régi par les règles d'arbitrage applicables. Sauf disposition contraire aux présentes, LG paiera tous les frais de dépôt de demande et d'administration ainsi que les honoraires de l'arbitre conformément aux règles d'arbitrage applicables et à la présente disposition sur l'arbitrage. Si vous obtenez gain de cause lors de l'arbitrage, LG paiera vos frais et honoraires d'avocats dans la mesure où ceux-ci sont raisonnables, en tenant compte de certains facteurs, y compris, mais sans s'y limiter, le montant de l'achat et de la réclamation. Nonobstant ce qui précède, si la loi applicable permet d'accorder une indemnité de frais et d'honoraires d'avocats, l'arbitre peut l'accorder dans la même mesure qu'un tribunal. Si l'arbitre estime que la base de votre réclamation ou que la mesure réparatoire demandée dans la réclamation est frivole ou qu'elle se base sur des motifs déplacés (au regard des lois applicables), le paiement de tous les frais d'arbitrage sera régi par les règles d'arbitrage applicables. Dans un tel cas, vous acceptez de rembourser à LG la totalité des montants versés qu'il vous revient autrement de payer en vertu des règles d'arbitrage applicables. Sauf indication contraire, LG renonce à tous les droits qu'elle pourrait avoir relativement à la réclamation de frais et honoraires d'avocats si LG prévaut lors de l'arbitrage.

**Audience et lieu de l'arbitrage.** Si votre réclamation est égale ou inférieure à 25 000 \$, vous pouvez opter pour un arbitrage conduit selon l'une des modalités suivantes uniquement : 1) sur examen des documents remis à l'arbitre, 2) par audience téléphonique ou 3) par audience en personne selon les dispositions des règles d'arbitrage applicables. Si votre réclamation dépasse 25 000 \$, le droit à une audience sera défini par les règles d'arbitrage applicables. Les audiences arbitrales en personne se tiendront à l'endroit le plus proche et le plus pratique pour les deux parties situé dans votre province ou votre territoire de résidence, sauf si nous convenons mutuellement d'un autre lieu ou d'un arbitrage par téléphone.

**Dissociabilité et renonciation.** Si une partie de la présente garantie limitée (y compris les présentes procédures d'arbitrage) n'est pas applicable, les dispositions restantes demeurent en vigueur dans la mesure permise par la loi applicable. Le fait de ne pas exiger la stricte exécution d'une disposition de la présente garantie limitée (y compris les présentes procédures d'arbitrage) ne signifie pas que nous ayons renoncé ni que nous ayons l'intention de renoncer à toute disposition ou partie de la présente garantie limitée.

**Option de retrait.** Vous pouvez vous retirer de la présente procédure de règlement de différend. Dans ce cas, ni vous ni LG ne pouvez imposer à l'autre partie de participer à une procédure d'arbitrage. Pour vous prévaloir de l'option de retrait, vous devez envoyer un préavis à LG dans les trente (30) jours civils à compter de la date de l'achat du produit par le premier acheteur i) dans un courriel adressé à [optout@lge.com](mailto:optout@lge.com) et dont la ligne d'objet porte la mention « Retrait de l'arbitrage » ou ii) en composant le 1-800-980-2973. Que ce soit par courriel ou par téléphone, vous devrez donner a) votre nom et votre adresse; b) la date d'achat du produit; c) le nom ou le numéro de modèle du produit et d) le numéro de série [qu'il est possible de trouver i) sur le produit ou ii) en ligne au [https://www.lg.com/ca\\_fr/soutien/reparationgarantie/demande-reparation](https://www.lg.com/ca_fr/soutien/reparationgarantie/demande-reparation), Trouver mes numéros de modèle et de série].

Si vous vous prévallez de l'option de retrait, les lois de votre province ou territoire de résidence régissent la présente Garantie limitée et tout différend entre nous, sauf dans la mesure où de telles lois sont supplantées par des lois fédérales, provinciales ou territoriales applicables ou sont incompatibles avec ces dernières. Si l'arbitrage n'est pas autorisé pour régler une réclamation, une poursuite, un différend ou un

litige nous opposant, nous nous en remettrons à la compétence exclusive des tribunaux de votre province ou territoire de compétence pour le règlement de la réclamation, de la poursuite, du différend ou du litige nous opposant.

Vous ne pouvez vous prévaloir de l'option de retrait que de la manière décrite plus haut (c'est-à-dire par courriel ou par téléphone). Aucun autre type d'avis ne sera pris en compte pour le retrait de la présente procédure de règlement de différend. Le fait de se retirer de la présente procédure de règlement de différend ne compromet d'aucune façon la protection accordée en vertu de la Garantie limitée, et vous continuerez à jouir de tous les avantages prévus par la Garantie limitée. Si vous conservez ce produit sans vous prévaloir de l'option de retrait, vous acceptez les conditions générales de la disposition sur l'arbitrage énoncée ci-dessus.

**Conflit de modalités.** En cas de conflit ou d'incompatibilité entre les modalités de la présente garantie limitée et le contrat de licence d'utilisation (CLU) en ce qui concerne le règlement des différends, les modalités de la présente garantie limitée contrôlent et régissent les droits et obligations des parties et ont préséance sur le CLU.



LG Customer Information Center

For inquiries or comments,  
visit **www.lg.com** or call:

**1-800-243-0000** U.S.A.  
**1-888-542-2623** CANADA

Register your product Online!

**www.lg.com**