



SEDONA BY LYNX™ SERIES

42" SEDONA BUILT-IN GRILL

WITH 1 PROSEAR INFRARED BURNER AND 2 STAINLESS STEEL BURNERS (L701PS)



L701PS PRODUCT OVERVIEW



- Precise power—one ProSear™ Infrared Burner and two stainless steel burners combining to provide up to 69,000 BTU
- Dependable performance—direct spark ignition with battery backup
- Perfect clarity—dual halogen grill surface lights
- Quick visibility—temperature gauge
- Easy opening—Lynx Hood Assist
- Steadfast durability—heavy-duty welded construction eliminates gaps where grease can collect
- Generous capacity—1,049 square inches of cooking surface (728 primary, 321 secondary)
- Beautiful illumination—blue-lit control knobs
- Smooth opening—fluid rotation handle
- Premier platform—stainless steel grilling grates
- Understated luxury—brushed stainless steel finish on canopy, bullnose, and drip tray
- Installation into a combustible enclosure requires an insulated jacket accessory



FOR A COMPLIMENTARY CUSTOM DESIGN FOR YOUR OUTDOOR KITCHEN, VISIT LYNXGRILLS.COM/DESIGN-CENTER

L701PS PRODUCT FEATURES

The Sedona by Lynx™ Series is always evolving to be the best at something new. That philosophy is reflected in its features. We've refined these features to give you a grilling experience that's both simple and stunning.



PROSEAR™ INFRARED BURNER



STAINLESS STEEL BURNERS



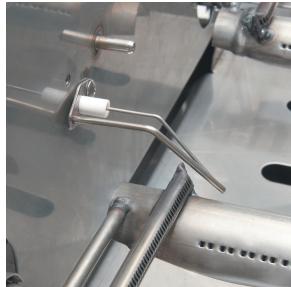
CERAMIC RADIANT BRIQUETTES



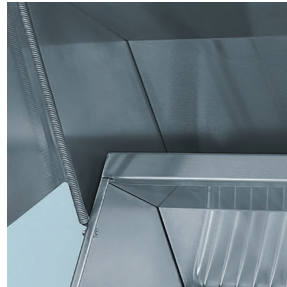
INTEGRATED ILLUMINATION



EXPANSIVE GRILLING SURFACE



SPARK IGNITION SYSTEM



LYNX HOOD ASSIST

FOR MORE INFORMATION ON SEDONA BY LYNX™ SERIES PRODUCT FEATURES, PLEASE VISIT LYNXGRILLS.COM

PRODUCT TECHNICAL SPECIFICATIONS



CUT-OUT DIMENSIONS: WIDTH: 41" / HEIGHT: 10" / DEPTH: 21.25"



SHIPPING DIMENSIONS: WIDTH 34" / HEIGHT 47" / DEPTH 30"
SHIPPING WEIGHT: 240 POUNDS



GAS REQUIREMENTS: SHIPS IN LIQUID PROPANE OR NATURAL GAS FROM FACTORY

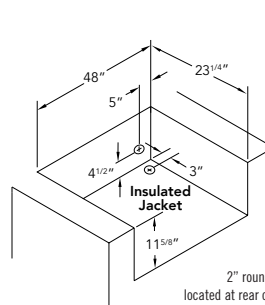


ELECTRICAL REQUIREMENTS: INSTALLATION REQUIRES AN OUTDOOR 120V/15GFI ELECTRICAL OUTLET ADJACENT TO PRODUCT

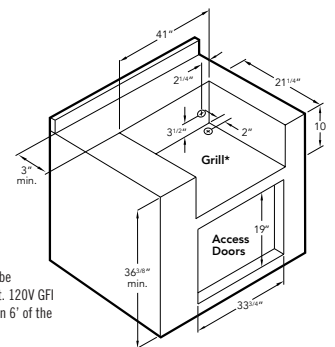


COOKING CONFIGURATION: BUILT-IN GRILL WITH 1 PROSEAR INFRARED BURNER AND 2 STAINLESS STEEL BURNERS

L701PS ISLAND PREPARATION

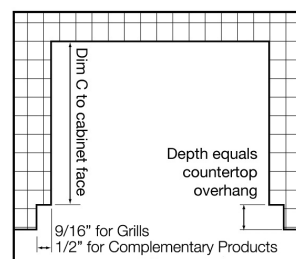


2" round hole must be located at rear of grill cutout. 120V GFI outlet must be located within 6' of the 2" hole.



PRODUCT SPECIFICATIONS & INSTALLATION

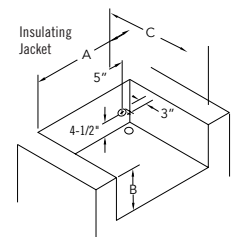
COUNTERTOP NOTCH DETAIL



INSULATING JACKET

BUILT-IN GRILL WITH INSULATING JACKET

Model	A	B	C
L701PS	41"	10"	21 1/4"



Note: Insulating jacket required for all grills installed into a combustible enclosure. For natural gas grills, Lynx recommends using 3/4" gas lines. Side burners may be rotated 90 degrees. See installation manuals for details.