



SEDONA BY LYNX™ SERIES

# 30" SEDONA BUILT-IN GRILL

WITH 2 STAINLESS STEEL BURNERS (L501)



## L501 PRODUCT OVERVIEW



- Variable power—two stainless steel burners combining to provide up to 46,000 BTU
- Dependable performance—direct spark ignition with battery backup
- Perfect clarity—halogen grill surface light
- Quick visibility—temperature gauge
- Easy opening—Lynx Hood Assist Kit
- Steadfast durability—heavy-duty welded construction eliminates gaps where grease can collect
- Ample capacity—733 square inches of cooking surface (508 primary, 225 secondary)
- Beautiful illumination—blue-lit control knobs
- Smooth opening—fluid rotation handle
- Premier platform—stainless steel grilling grates
- Understated luxury—brushed stainless steel finish on canopy, bullnose, and drip tray
- Installation into a combustible enclosure requires an insulated jacket accessory



FOR A COMPLIMENTARY CUSTOM DESIGN FOR YOUR OUTDOOR KITCHEN, VISIT [LYNXGRILLS.COM/DESIGN-CENTER](http://LYNXGRILLS.COM/DESIGN-CENTER)

## L501 PRODUCT FEATURES

The Sedona by Lynx™ Series is always evolving to be the best at something new. That philosophy is reflected in its features. We've refined these features to give you a grilling experience that's both simple and stunning.



STAINLESS STEEL BURNERS



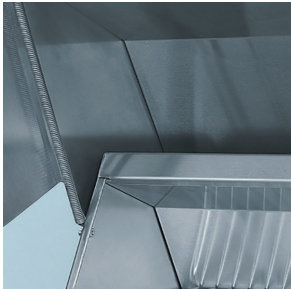
SPARK IGNITION SYSTEM



EXPANSIVE GRILLING SURFACE



INTEGRATED ILLUMINATION



LYNX HOOD ASSIST



CERAMIC RADIANT BRIQUETTES

FOR MORE INFORMATION ON SEDONA BY LYNX™ SERIES PRODUCT FEATURES, PLEASE VISIT [LYNXGRILLS.COM](http://LYNXGRILLS.COM)

PRODUCT TECHNICAL SPECIFICATIONS



CUT-OUT DIMENSIONS: WIDTH: 29" / HEIGHT: 10" / DEPTH: 21.25"



SHIPPING DIMENSIONS: WIDTH 35" / HEIGHT 33.5" / DEPTH 30"  
SHIPPING WEIGHT: 168 POUNDS



GAS REQUIREMENTS: SHIPS IN LIQUID PROPANE OR NATURAL GAS FROM FACTORY

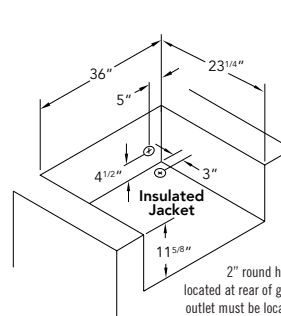


ELECTRICAL REQUIREMENTS: INSTALLATION REQUIRES AN OUTDOOR 120V/15GFI ELECTRICAL OUTLET ADJACENT TO PRODUCT

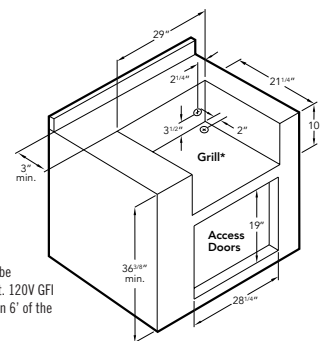


COOKING CONFIGURATION: BUILT-IN GRILL WITH 2 STAINLESS STEEL BURNERS

### L501 ISLAND PREPARATION

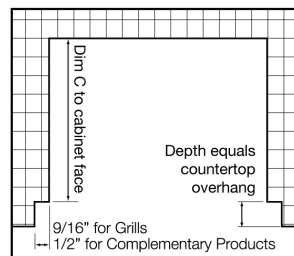


2" round hole must be located at rear of grill cutout. 120V GFI outlet must be located within 6' of the 2" hole.



PRODUCT SPECIFICATIONS & INSTALLATION

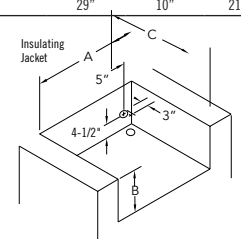
#### COUNTERTOP NOTCH DETAIL



#### INSULATING JACKET

##### BUILT-IN GRILL WITH INSULATING JACKET

Model	A	B	C
L501	29"	10"	21 1/4"



Note: Insulating jacket required for all grills installed into a combustible enclosure. For natural gas grills, Lynx recommends using 3/4" gas lines. Side burners may be rotated 90 degrees. See installation manuals for details.