

LIMITED WARRANTY

Manufacturer warrants to the original purchaser at the original site of delivery with proof of purchase of each refrigerator that when subject to normal residential use, it is free from defects in workmanship and material for the periods specified below. This warranty excludes refrigerators used in rental or commercial applications. It does not cover labor related charges. There will be shipping and handling charges for the delivery of warranty part(s).

1 YEAR WARRANTY

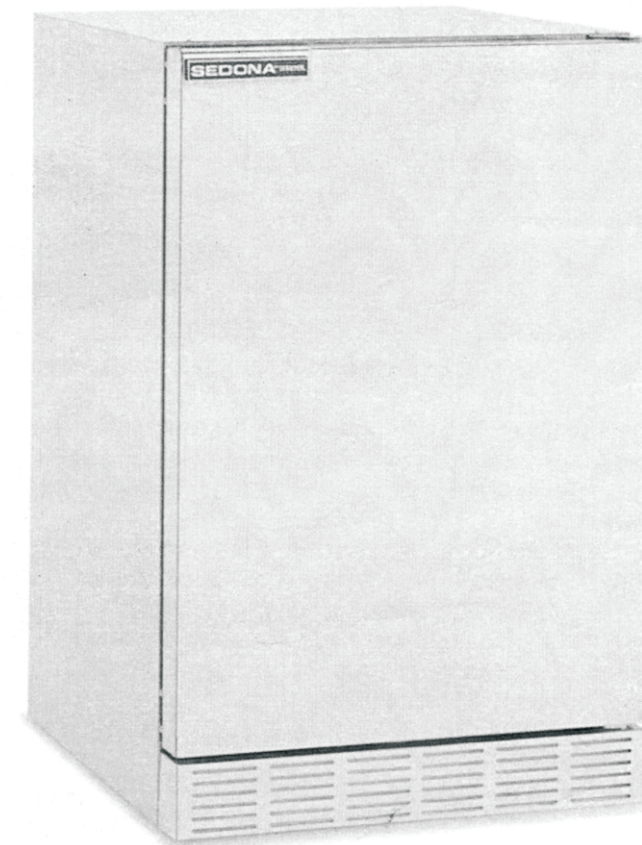
Our obligation under this warranty is limited to repair or replacement, at our option, of the product during the warranty period. The extent of any liability of Manufacturer, under this warranty is limited to repair or replacement. The warranty does not cover normal wear of parts, damage resulting from any of the following: negligent use or misuse of the product, use contrary to operating instructions, or alteration by any person other than our factory service center. The warranty period is not extended by such repair or replacement.

Product repair as provided under this warranty is your exclusive remedy. Manufacturer shall not be liable for any incidental or consequential damage for breach of any express or implied warranty on its products. Except to the extent prohibited by applicable law, any implied warranty or merchantability or fitness for a particular purpose on this product to the duration of the above warranty. Some states do not allow the exclusion or limitation of incidental or consequential damages, or allow limitations on how long an implied warranty lasts, so the above limitations or exclusions may not apply to you. This warranty gives you specific legal rights, and you may have other rights, which vary from state to state.



MODEL L500REF

INSTRUCTION MANUAL



BEFORE USE, PLEASE READ AND FOLLOW ALL SAFETY RULES AND OPERATING INSTRUCTIONS



Before the refrigerator is plugged in or used, it must be PROPERLY POSITIONED, LEVELED and installed as described in this manual

READ THIS MANUAL CAREFULLY

IMPORTANT SAFEGUARDS



Before the refrigerator is plugged in or used, it must be properly positioned and installed as described in this manual, so read the manual carefully. To reduce the risk of fire, electrical shock or injury when using the refrigerator, follow basic precaution, including the following:



- * Plug into a grounded 3-prong outlet, do not remove grounding prong, do not use an adapter, and do not use an extension cord.
- * It is recommended that a separate circuit, serving only your refrigerator be provided. Use receptacles that cannot be turned off by a switch or pull chain.
- * Never clean refrigerator parts with flammable fluids. These fumes can create a fire hazard or explosion. Do not store or use gasoline or other flammable vapors and liquids in the vicinity of this or any other appliance. The fumes can create a fire hazard or explosion.
- * Before proceeding with cleaning and maintenance operations, make sure the power line of the unit is disconnected.
- * Do not connect or disconnect the electric plug when your hands are wet.
- * Unplug the refrigerator or disconnect power before cleaning or servicing. Failure to do so can result in electrical shock or death.
- * Do not attempt to repair or replace any part of your refrigerator unless it is specifically recommended in this manual. All other servicing should be referred to a qualified technician.



- * Use two or more people to move and install refrigerator. Failure to do so can result in back or other injury.
- * To ensure proper ventilation for your refrigerator, the front of the unit must be completely unobstructed. Choose a well-ventilated area with temperatures above 60°F (16°C) and below 90°F (32°C). This unit should be installed in an area protected from the direct elements, such as wind and rain.
- * The refrigerator should not be located directly next to ovens, grills or other sources of high heat.
- * The refrigerator must be installed with all electrical, water and drain connections in accordance with state and local codes. A standard electrical supply (115 V AC only, 60 Hz), properly grounded in accordance with the National Electrical Code and local codes and ordinances is required.
- * Do not kink or pinch the power supply cord of refrigerator.
- * The fuse (or circuit breaker) size should be 15 amps.
- * It is important for the refrigerator to be leveled in order to work properly. You may need to make several adjustments to level it.
- * All installation must be in accordance with local plumbing code requirements.
- * Make certain that the pipes are not pinched or kinked or damaged during installations.
- * Check for leaks after connection.
- * Never allow children to operate, play with or crawl inside the refrigerator.
- * Do not use solvent-based cleaning agents or abrasives on the interior. These cleaners may damage or discolor the interior.
- * Do not use this apparatus for other than its intended purpose.



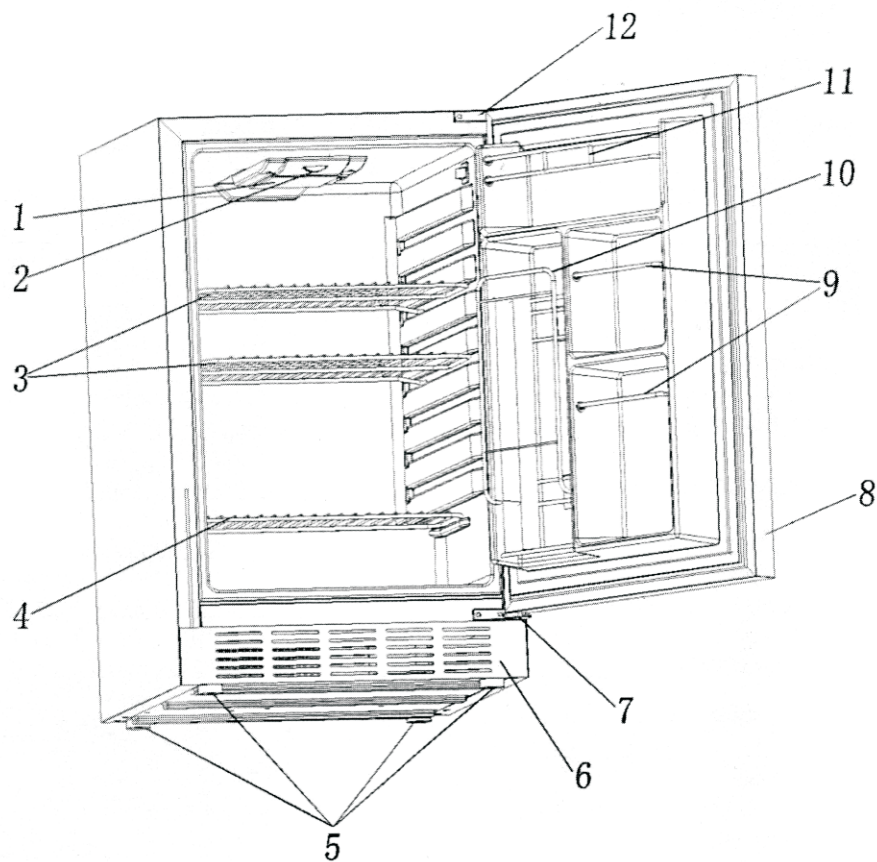
Product certified under UL471

Part #33858
Rev. A 3/13

TABLE OF CONTENTS

IMPORTANT SAFEGUARDS _____	2
PARTS AND FEATURES _____	4
IMPORTANT SAFETY INSTRUCTIONS _____	5
INSTALLATION INSTRUCTIONS _____	5
CUT-OUT DIMENSIONS FOR BUILT-IN GRILLS _____	6
ELECTRICAL CONNECTION _____	7
EXTENSION CORD _____	7
REVERSING THE DOOR SWING OF YOUR UNIT _____	7
OPERATING YOUR UNIT _____	8
SETTING THE TEMPERATURE CONTROL _____	8
CARE AND MAINTENANCE _____	9
CLEANING YOUR UNIT _____	9
POWER FAILURE _____	9
VACATION TIME _____	9
MOVING YOUR UNIT _____	9
ENERGY SAVING TIPS _____	9
ADJUSTABLE HINGE AND HANDLE KIT _____	10
TROUBLESHOOTING GUIDE _____	11
WIRING DIAGRAM _____	11
WARRANTY _____	12

PARTS & FEATURES



- | Part |
|----------------------------|
| 1 Light Lens Cover |
| 2 Temperature Control Knob |
| 3 Upper Shelves |
| 4 Lower Shelf |
| 5 Leveling Leg |
| 6 Venting Grid (34046) |
| 7 Bottom Hinge |
| 8 Door (34045) |
| 9 Door Bar |
| 10 Can Dispenser |
| 11 Condiment Bar |
| 12 Top Hinge |



- * Read all instructions before using the refrigerator.
- * **DANGER or WARNING:** Risk of child entrapment.
Child entrapment and suffocation are not problems of the past. Junked or abandoned refrigerators are still dangerous. . . even if they will "just sit in the garage a few days."
- * **Before you throw away your old refrigerator:** Take off the doors. Leave the shelves in place so that children may not easily climb inside.
- * Never allow children to operate, play with, or crawl inside the refrigerator.
- * Never clean refrigerator parts with flammable fluids. The fumes can create a fire hazard or explosion.
- * Do not store or use gasoline or any other flammable vapors and liquids in the vicinity of this or any other refrigerator. The fumes can create a fire hazard or explosion.

-Save these instructions-

INSTALLATION INSTRUCTIONS

Before Using Your Unit

- * Remove the exterior and interior packing.
- * Check to be sure you have all of the following parts:
 - * 3 Shelves
 - * 1 Instruction Manual
 - * 1 Adjustable Hinge Kit
- * Before connecting the unit to the power source, let it stand upright for approximately 2 hours. This will reduce the possibility of a malfunction in the cooling system from handling during transportation.
- * Clean the interior surface with lukewarm water using a soft cloth.

Installing Your Unit

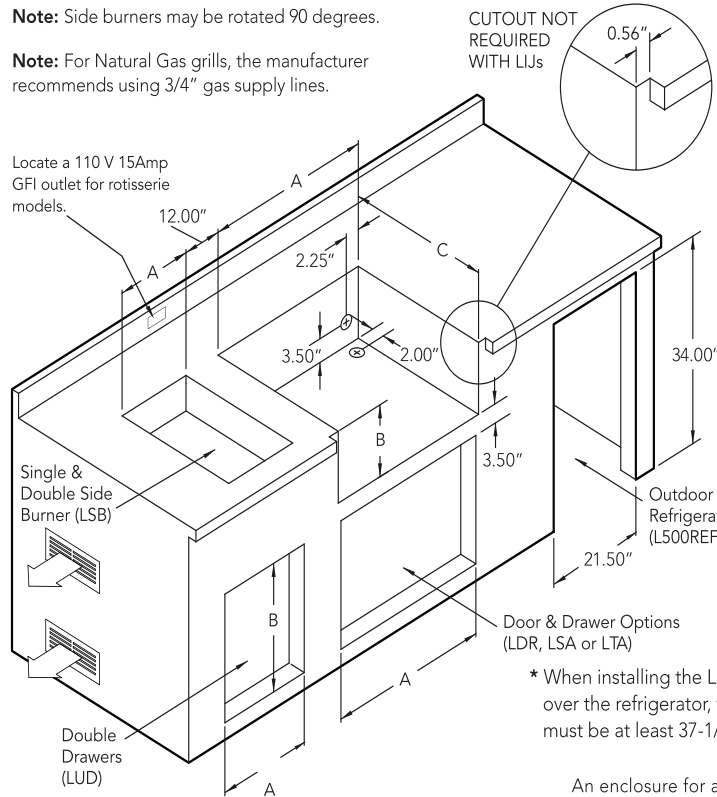
- * Follow the recommendations in this manual if the product is to be recessed or built-in.
- * Place your unit on a floor that is strong enough to support the unit when it is fully loaded. To level your unit, adjust the leveling legs at the bottom of the unit.
- * Locate the unit away from direct sunlight and sources of heat (stove, heater, radiator, etc.). The unit needs to be installed at least 12 inches from grills. Direct sunlight may affect the acrylic coating and heat sources may increase electrical consumption. Extreme cold ambient temperatures may also cause the unit not to perform properly.
- * Avoid locating the unit in moist areas.
- * Plug the unit into an exclusive, properly installed, grounded wall outlet. Do not under any circumstances cut or remove the third (ground) prong from the power cord. Any questions concerning power and/or grounding should be directed toward a certified electrician or an authorized Products service center.
- * After plugging the appliance into a wall outlet, allow the unit to cool down for 2-3 hours before placing food in the refrigerator compartment.

CUT-OUT DIMENSIONS FOR BUILT-IN GRILLS

Note: Side burners may be rotated 90 degrees.

Note: For Natural Gas grills, the manufacturer recommends using 3/4" gas supply lines.

Locate a 110 V 15Amp GFI outlet for rotisserie models.



* When installing the LSB side burners over the refrigerator, the counter top must be at least 37-1/2" above the floor.

An enclosure for an LP-gas cylinder shall be ventilated by openings at both the upper and lower levels of the enclosure. The effectiveness of the opening(s) for purposes of ventilation shall be determined with the LP-gas supply cylinder in place. This shall be accompanied by one of the following:

- One side of the enclosure shall be completely open; or
- For an enclosure having four sides, a top and a bottom:
 - At least two ventilation openings shall be provided in the side walls of the enclosure, located within 5 in (127 mm) of the top of the enclosure, equally sized, spaced at a minimum of 90 degrees (1.57 rad), and unobstructed. The opening(s) shall have a total free area of not less than 1 in²/lb (14.2 cm²/kg) of stored fuel capacity.
 - Ventilation opening(s) shall be provided at floor level of the enclosure and shall have a total free area of not less than 1/2 in²/lb (7.1 cm²/kg) of stored fuel capacity. If ventilation openings at floor level are in a side wall, there shall be at least two openings. The bottom of the openings shall be 1 in (25.4 mm) or less from the floor level and the upper edge no more than 5 in (127 mm) above the floor level. The openings shall be equally sized, spaced at a minimum of 90 degrees (1.57 rad) and unobstructed.
 - Every opening shall have minimum dimensions so as to permit the entrance of a 1/8 in (3.2 mm) diameter rod.
 - Ventilation openings in side walls shall not communicate directly with other enclosures of the outdoor cooking gas appliance.

Keep the ventilation openings of the cylinder enclosure free and clear from debris.

UNCONVENTIONAL ISLAND INSTALLS

If building an island that does not conform to the standard properties listed in the following pages, please contact Lynx Grills at 888-259-5969 to verify all safety requirements regarding installation have been met.

BUILT-IN GRILL

Model	A	B	C
L500	29.00	10.00	21.25
L600	35.00	10.00	21.25
L700	41.00	10.00	21.25

BUILT-IN GRILL W/ INSULATING JACKET

Model	A	B	C
LIJ500	36.00	11.62	23.25
LIJ600	42.00	11.62	23.25
LIJ700	48.00	11.62	23.25

Installation into a combustible enclosure requires an insulated jacket accessory. Not installing an insulated jacket could result in a fire, injury or property damage. Insulated jackets may be ordered at parts@middlebyresidential.com or phone 888-845-4641 press 1. Please have grill model and serial available when ordering.

COMPLEMENTARY PRODUCTS

Model	A	B	C
LSB501	11.00	4.00	16.00
LSB502	21.00	4.00	16.00
LDR424	22.00	19.00	-
LDR530	28.25	19.00	-
LDR636	33.75	19.00	-
LSA530	28.25	19.00	20.00
LSA636	33.75	19.00	20.00
LUD517	17.25	12.75	20.00
L500REF	21.50	34.00	24.50

SEDONA CARE & USE/INSTALLATION

Electrical Connection

WARNING

Improper use of the grounded plug can result in the risk of electrical shock. If the power cord is damaged have it replaced by an authorized service center.

This unit should be properly grounded for your safety. The power cord of this unit is equipped with a three-prong plug which mates with standard three prong wall outlets to minimize the possibility of electrical shock.

Do not under any circumstances cut or remove the third ground prong from the power cord supplied. For personal safety, this appliance must be properly grounded.

This unit requires a standard 115 Volt AC /60Hz GFCI protected electrical outlet with three-prong ground. Have the wall outlet and circuit checked by a qualified electrician to make sure the outlet is properly grounded. When a standard 2-prong wall outlet is encountered, it is your responsibility and obligation to have it replaced with a properly grounded 3-prong wall outlet.

The cord should be secured behind the unit and not left exposed or dangling to prevent accidental injury.

The unit should always be plugged into its own individual electrical outlet which has a voltage rating that matches the rating label on the appliance. This provides the best performance and also prevent overloading house wiring circuits that could cause a fire hazard from overheating. Never unplug the unit by pulling the power cord. Always grip the plug firmly and pull straight out from the receptacle. Repair or replace immediately all power cords that have become frayed or otherwise damaged. Do not use a cord that shows cracks or abrasion damage along its length or at either end. When moving the unit, be careful not to damage the power cord.

Extension Cord

Because of potential safety hazards under certain conditions, it is strongly recommended that you do not use an extension cord with this unit. However, if you must use an extension cord it is absolutely necessary that it be a "w"-rating 3-wire grounding type appliance extension cord having a grounding type plug and outlet and that the electrical rating of the cord be 115 volts and at least 15 amperes.

Reversing the Door Swing of Your Appliance

This refrigerator can be opened either from the left or right side. The default way of opening the door is from the right side. If you want to open the door from the left side, please follow the instructions below. Refer to Figures 1 and 2 on the following page.

NOTE: All the removed parts must be well kept for the reinstallation of the door

- * Remove the three screws (5) that hold the lower door hinge (4), keep the hinge for later use.
- * Remove the door from the upper pin, and keep the padded surface upwards to prevent scratching.
- * Remove the upper hinge cover (1), remove the two screws (2), hold the upper hinge(1), save the hinge for later use.
- * Remove the hole cover (7) and transfer it to the same location on the opposite side.

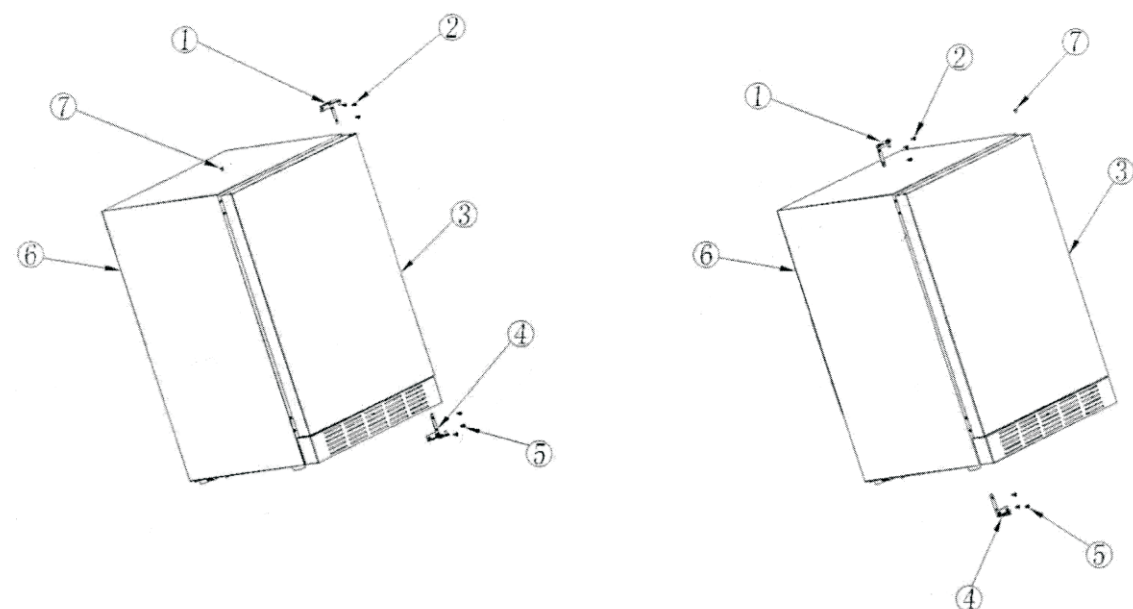


FIGURE 1 (Normal position) FIGURE 2 (Position after door reversal)

- 1 Top Hinge
- 2 Screw (3)
- 3 Door
- 4 Bottom Hinge
- 5 Screw (3)
- 6 Frame
- 7 Hole Cover

- * Insert the lower door hinge in the right side, fix the lower right hinge by tightening all the screws.
- * Remove the pin cap from the right side of the upper frame of the door, and then transfer it to the same location on the opposite side.
- * Put the door on the Lower Door Hinge(5), keep the door level, and then fix the upper hinge(3) to the body(4) by the screws
- * Put on the upper hinge cover(1).

OPERATING YOUR UNIT

Setting the Temperature Control

- * Your unit has only one control for regulating the temperature in the compartment. The temperature control is located on the top center of the compartment.
- * The first time you turn the unit on, set the temperature control to "7".
- * The range of the temperature control is from position "0" to "7". After 24 to 48 hours, adjust the temperature control to the setting that best suits your needs. The setting of "3" should be appropriate for normal use.
- * To turn the appliance off, turn the temperature control to "0".

NOTE:

- * Turning the temperature control to "0" position stops the cooling cycle but does not shut off the power to the unit.
- * If the unit is unplugged, has lost power, or is turned off, you must wait 3 to 5 minutes before restarting the unit. If you attempt to restart before this time delay, the unit will not start.

CARE AND MAINTENANCE

CAUTION:

Do not use boiling water because it may damage the plastic parts. In addition, never use a sharp or metallic instrument to remove frost as it may damage the cooling system and will void the warranty. We recommend using a plastic scraper.

Cleaning Your Unit

- * Turn the temperature control to "0", unplug the unit, and remove the food, shelf, and tray.
- * Wash the inside surfaces with a warm water and baking soda solution. The solution should be about 2 tablespoons of baking soda to a quart of water.
- * Wash the shelf and tray with a mild detergent solution.
- * Wring excess water out of the sponge or cloth before cleaning the area of the controls, or any electrical parts.
- * Wash the outside cabinet with warm water and mild liquid detergent. Rinse well and wipe dry with a clean soft cloth. A protective stainless steel polish made for outdoor appliances (with marine inhibitor) should then be applied in the direction of the grain.

CAUTION:

Failure to unplug the unit could result in electrical shock or personal injury.

Power Failure

Most power failures are corrected within a few hours and should not affect the temperature of your unit if you minimize the number of times the door is opened. If the power is going to be off for a longer period of time, you need to take the proper steps to protect your food.

Vacation Time

- * **Short vacations:** Leave the unit operating during vacations of less than three weeks.
- * **Long vacations:** If the appliance will not be used for several months, remove all food and unplug the power cord. Clean and dry the interior thoroughly. To prevent odor and mold growth, leave the door open slightly; blocking it open if necessary.

Moving Your Unit

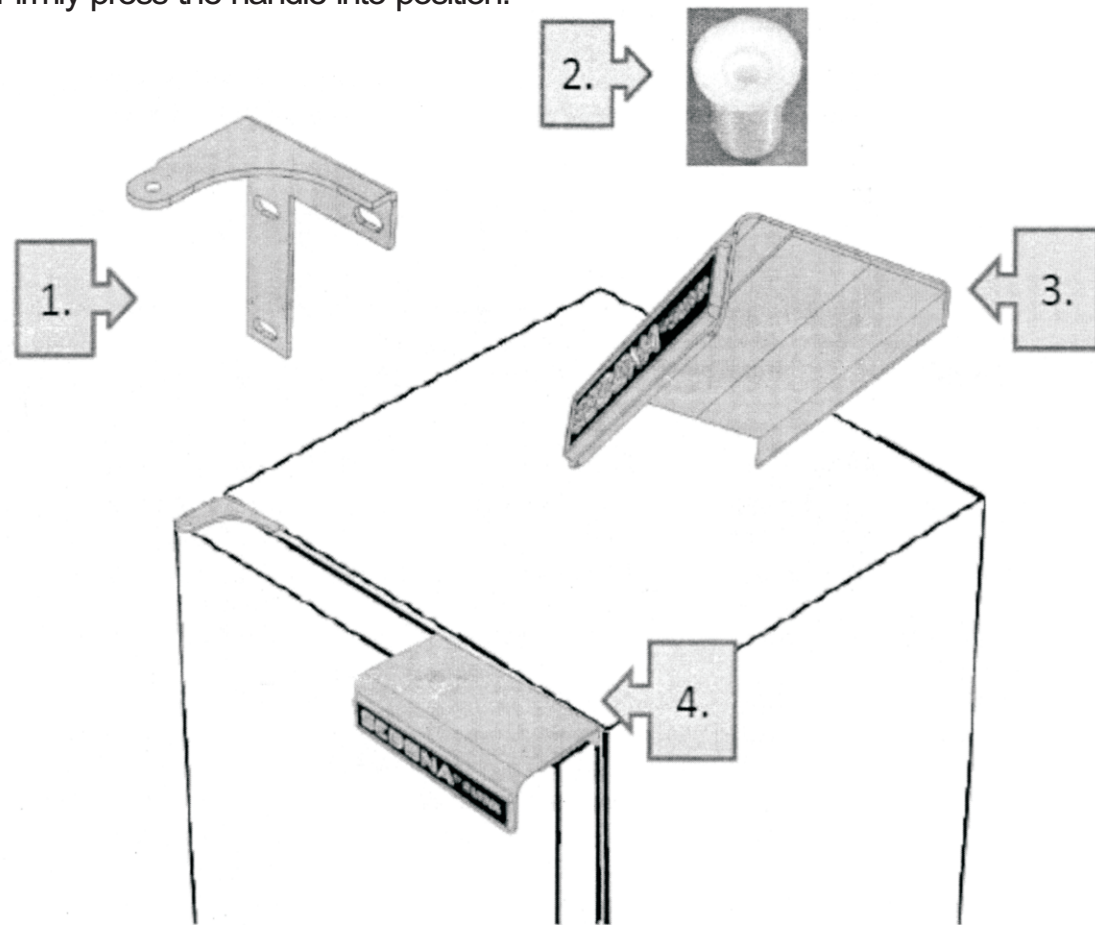
- * Remove all the food.
- * Securely tape down all loose items inside your unit.
- * Turn the leveling legs up to the base to avoid damage.
- * Tape the door shut.
- * Be sure the unit stays secure in the upright position during transportation. Also protect the outside of unit with a blanket, or similar item.

Energy Saving Tips

- * The unit should be located in the coolest area of the room, away from heat producing appliances, and out of the direct sunlight.
- * Let hot foods cool to room temperature before placing in the unit. Overloading the unit forces the compressor to run longer.
- * Be sure to wrap foods properly, and wipe containers dry before placing them in the unit. This cuts down on frost build-up inside the unit.
- * Organize and label food to reduce door openings and extended searches. Remove as many items as needed at one time, and close the door as soon as possible.

Adjustable Hinge and Handle Kit

1. If door alignment is needed; replace the existing top bracket with the new one in this kit. The oblong mounting holes will allow the door to be tilted up or down to better align the door.
2. To install the door handle, first remove the unused hinge bushing. There is one on each side of the door. Clean the door with a mild cleansing agent.
3. Remove the protective film over the industrial adhesive strips.
4. Firmly press the handle into position.



PROBLEMS WITH YOUR REFRIGERATOR

You can solve many common unit problems easily, saving you the cost of a possible service call. Try the suggestions below to see if you can solve the problem before calling the servicer.

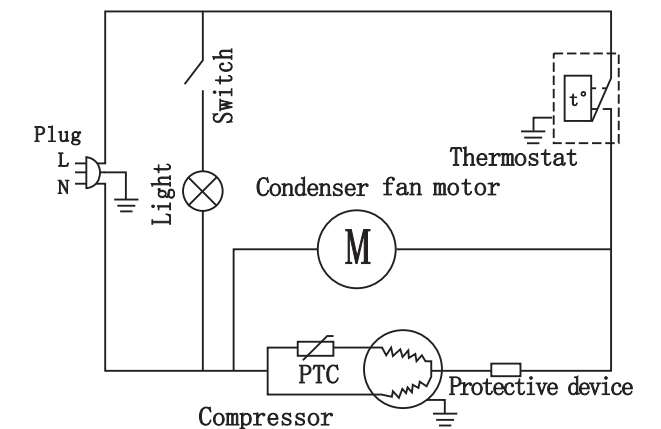
PROBLEM	POSSIBLE CAUSE
Unit does not operate.	Not plugged in. The circuit breaker tripped or a blown fuse. The unit temperature control is set at "0" position.
Turns on and off frequently.	The temperature is hotter than normal. A large amount of food has been added to the unit. The door is opened too often. The door is not closed completely. The temperature control is not set correctly. The door gasket does not seal properly. The unit does not have the correct clearances.
Vibrations.	Check to assure that the unit is level.
The unit seems to make too much noise.	The rattling noise may come from the flow of the refrigerant, which is normal. As each cycle ends, you may hear gurgling sounds caused by the flow of refrigerant in your unit. Contraction and expansion of the inside walls may cause popping and crackling noises. The unit is not level.
The door will not close properly.	The unit is not level. The door was reversed and not properly installed. The gasket is dirty or bent. The shelves, bins, or baskets are out of position.

Technical Data and Electrical Diagram

■ Technical Data

Model	RF40D
Rated Voltage (V)	AC110
Rated Frequency (Hz)	60
Rated input power (W)	115
Energy Consumption (Kw. h/24h)	0.8
Rated Current (A)	1.14
Phase	1
Design Pressure (High) (Psig)	93
Design Pressure (Low) (Psig)	40
Refrigerant	R600a
Refrigerant Charge (Pounds)	0.0397

■ Electrical Diagram



Note: This wire diagram is just for reference only. The wiring label on back of refrigerator will be accurate.