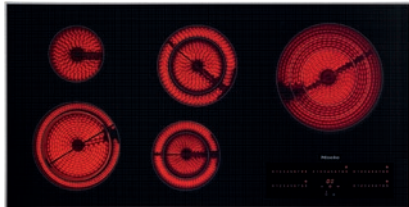


KM 5880 240V

Electric cooktop

in maximum width for the best possible cooking and user convenience.



- Quick selection using numerical linear keybanks – Direct control plus
- Attractive design – 42 5/8 (1080) in (mm) wide with stainless steel frame
- Versatile – 5 cooking zones
- Convenient – Auto heat-up for every cooking zone
- Safe – residual heat indicator for every cooking zone

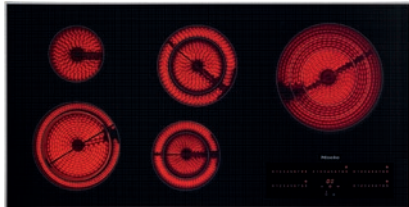
EAN: 4002514866710 / Material number: 07821780 / Old Material Number: 26588050USA

Heating type	
Fuel type	Electric
Design	
Independent of oven	•
Design	
Elegant glass ceramic surface	•
Ceramic surface colour	Black
Stainless steel frame	•
Print design	Basalt grey decor
Proud installation	•
Cooking zone details	
No. of rings	5
1st cooking zone/cooking area	
Position	front left
Type	Variable cooking zone
Size in mm	Ø 180 / Ø 230
Max. rating in W	1600/2500
2nd cooking zone/cooking area	
Position	rear left
Type	Single-circuit ring
Size in mm	Ø 145
Max. rating in W	1200
3rd cooking zone/cooking area	
Position	rear center
Type	Variable cooking zone
Size in mm	Ø 145 / Ø 210
Max. rating in W	1100/2400
4th cooking zone/cooking area	
Position	rear right
Type	Variable cooking zone
Size in mm	Ø 145 / Ø 210 / Ø 270
Max. rating in W	1100/2150/3100
5th cooking zone/cooking area	
Position	front center
Type	Variable cooking zone
Size in mm	Ø 120 / Ø 180
Max. rating in W	700/1800
User convenience	
Operation via sensor controls	Direct Control Plus
Extended cooking zone	•
Display colour	Red
Auto heat-up	•
Stop & Go function	•
Safety switch-off	•
Minute minder	•
Cleaning convenience	
Easy to clean ceramic glass	•
Safety	
Safety cut-out	•
Lock function	•

KM 5880 240V

Electric cooktop

in maximum width for the best possible cooking and user convenience.



EAN: 4002514866710 / Material number: 07821780 / Old Material Number: 26588050USA

System lock	•
Overheating protection	•
Residual heat indicator	•

Technical data

Dimensions (H x W x D) in inches (mm)	
Dimensions (width) in in. (mm)	42 5/8 (1080)
Dimensions (height) in in. (mm)	2 1/2 (62)
Dimensions in mm (depth)	21 1/2 (544)
Cutout dimensions (width) in in. (mm)	40 3/4 (1035)
Cutout dimensions (depth) in in. (mm)	20 1/2 (518)
Casing height incl. connection box in mm	2 3/4 (67)
Weight in lbs. (kg)	46 (21)
Total connected load in kW	11.00
Power cord length in in. (m)	4 (1.4)
Voltage in V	240
Frequency in Hz	60

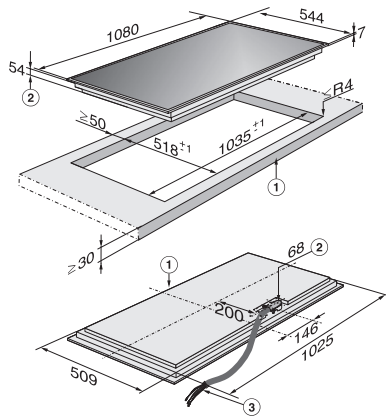
Standard accessories

Razor-blade scraper	•
Power cord	Yes

KM 5880 240V

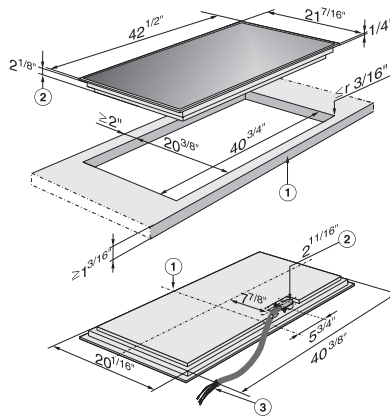
Electric cooktop

in maximum width for the best possible cooking and user convenience.



KM 5880 (Installation drawing)

1. Front, 2. Building-in depth, 3. Flexible metal hose, L = 1200 mm



KM 5880 (Installation drawing)

1. Front, 2. Building-in depth, 3. Flexible metal hose, L = 47 1/4"