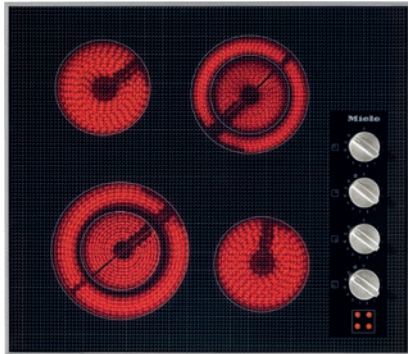


KM 5621 208V

24-inch electric cooktop, operated with its own controls
with four cooking zones and direct rotary dial controls for maximum convenience.



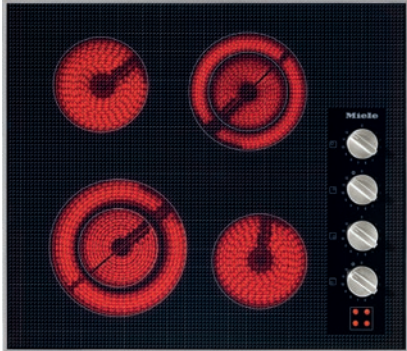
- Easy and direct controls – operation via knob controls
- Attractive design – 24 3/4 (626) in (mm) wide with stainless steel frame
- Versatile – 4 cooking zones
- Safe – residual heat indicator for every cooking zone

EAN: 4002514865904 / Material number: 07821670 / Old Material Number: 26562151USA

Heating type	
Fuel type	Electric
Design	
Independent of oven	•
Design	
Elegant glass ceramic surface	•
Ceramic surface colour	Black
Stainless steel frame	•
Print design	Basalt grey decor
Proud installation	•
Cooking zone details	
No. of rings	4
1st cooking zone/cooking area	
Position	front left
Type	Variable cooking zone
Size in mm	Ø 120 / Ø 210
Max. rating in W	900/2400
2nd cooking zone/cooking area	
Position	rear left
Type	Single-circuit ring
Size in mm	Ø 145
Max. rating in W	1200
3rd cooking zone/cooking area	
Position	rear right
Type	Variable cooking zone
Size in mm	Ø 120 / Ø 180
Max. rating in W	700/1800
4th cooking zone/cooking area	
Position	front right
Type	Single-circuit ring
Size in mm	Ø 145
Max. rating in W	1200
User convenience	
Extended cooking zone	•
Display colour	Red
Operation via knobs	•
Efficiency and sustainability	
Residual heat utilisation	•
Cleaning convenience	
Easy to clean ceramic glass	•
Safety	
Overheating protection	•
Residual heat indicator	•
Technical data	
Dimensions (H x W x D) in inches (mm)	
Dimensions (width) in in. (mm)	24 3/4 (626)
Dimensions (height) in in. (mm)	3 1/4 (81)
Dimensions in mm (depth)	21 1/2 (544)
Cutout dimensions (width) in in. (mm)	22 3/8 (567)
Cutout dimensions (depth) in in. (mm)	20 1/2 (518)

KM 5621 208V

24-inch electric cooktop, operated with its own controls
with four cooking zones and direct rotary dial controls for maximum convenience.

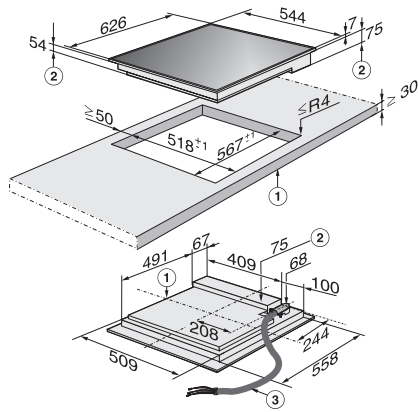


EAN: 4002514865904 / Material number: 07821670 / Old Material Number: 26562151USA

Casing height incl. connection box in mm	3 (75)
Weight in lbs. (kg)	28 (13)
Total connected load in kW	6.60
Power cord length in in. (m)	4 (1.4)
Voltage in V	208
Frequency in Hz	60
Standard accessories	
Razor-blade scraper	•
Power cord	Yes

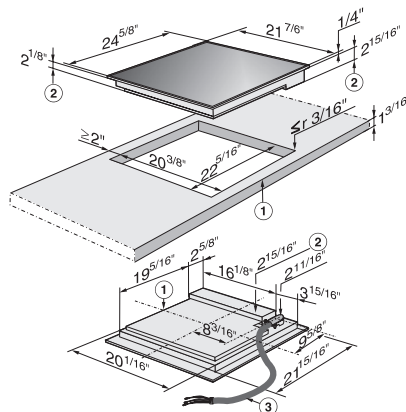
KM 5621 208V

24-inch electric cooktop, operated with its own controls
with four cooking zones and direct rotary dial controls for maximum convenience.



KM 5621 (Installation drawing)

1. Front, 2. Building-in depth, 3. Flexible metal hose, L = 1200 mm



KM 5621 (Installation drawing)

1. Front, 2. Building-in depth, 3. Flexible metal hose, L = 47 1/4"