
BERTAZZONI
INSTALLATION AND USER MANUAL
LINER/INSERT HOODS

EN

BERTAZZONI
INSTRUCTIONS D'INSTALLATION ET D'UTILISATION
HOTTES À FILTRE/ENCASTRABLE

FR



READ AND SAVE THESE INSTRUCTIONS BEFORE YOU START INSTALLING THIS RANGEHOOD

WARNING: - TO REDUCE THE RISK OF A RANGE TOP GREASE FIRE:

- a) Never leave surface units unattended at high settings. Boilovers cause smoking and greasy spillovers that may ignite. Heat oils slowly on low or medium setting.
- b) Always turn hood ON when cooking at high heat or when flambeing food (i.e. Crepes Suzette, Cherries Jubilee, Peppercorn Beef Flambé).
- c) Clean ventilating fans frequently. Grease should not be allowed to accumulate on fan or filter.
- d) Use proper pan size. Always use cookware appropriate for the size of the surface element.

WARNING: - TO REDUCE THE RISK OF INJURY TO PERSONS IN THE EVENT OF A RANGE TOP GREASE FIRE, OBSERVE THE FOLLOWING*:

- a) **SMOTHER FLAMES** with a close-fitting lid, cookie sheet, or metal tray, then turn off the burner. **BE CAREFUL TO PREVENT BURNS.** If the flames do not go out immediately **EVACUATE AND CALL THE FIRE DEPARTMENT.**
- b) **NEVER PICK UP A FLAMING PAN** - You may be burned.
- c) **DO NOT USE WATER**, including wet dishcloths or towels - a violent steam explosion will result.
- d) Use an extinguisher **ONLY** if:
 1. You know you have a Class ABC extinguisher, and you already know how to operate it.
 2. The fire is small and contained in the area where it started.
 3. The fire department is being called.
 4. You can fight the fire with your back to an exit.

* Based on "Kitchen Firesafety Tips" published by NFPA

WARNING - TO REDUCE THE RISK OF FIRE OR ELECTRIC SHOCK, do not use this fan with any solid-state speed control device.

WARNING - TO REDUCE THE RISK OF FIRE, ELECTRICAL SHOCK, OR INJURY TO PERSONS, OBSERVE THE FOLLOWING:

1. Use this unit only in the manner intended by the manufacturer. If you have any questions, contact the manufacturer.
2. Before servicing or cleaning unit, switch power off at service panel and lock the service disconnecting means to prevent power from being switched on accidentally. When the service disconnecting means cannot be locked, securely fasten a prominent warning device, such as a tag, to the service panel.

CAUTION: For General Ventilating Use Only. Do Not Use To Exhaust Hazardous or Explosive Materials and Vapors.

WARNING - TO REDUCE THE RISK OF FIRE, ELECTRICAL SHOCK, OR INJURY TO PERSONS, OBSERVE THE FOLLOWING:

1. Installation Work And Electrical Wiring Must Be Done By Qualified Person(s) In Accordance With All Applicable Codes And Standards, Including Fire-Rated Construction.
2. Sufficient air is needed for proper combustion and exhausting of gases through the flue (chimney) of fuel burning equipment to prevent backdrafting. Follow the heating equipment manufacturer's guideline and safety standards such as those published by the National Fire Protection Association (NFPA), and the American Society for Heating, Refrigeration and Air Conditioning Engineers (ASHRAE), and the local code authorities.

1. **When cutting or drilling into wall or ceiling, do not damage electrical wiring and other hidden utilities.**
2. **Ducted fans must always be vented to the outdoors.**

ALL WALL AND FLOOR OPENINGS WHERE THE RANGEHOOD IS INSTALLED MUST BE SEALED. **This rangehood requires at least 24" of clearance** between the bottom of the rangehood and the cooking surface or countertop. This hood has been approved by UL at this distance from the cooktop.

This minimum clearance may be higher depending on local building codes. For gas cooktops and combination ranges, a minimum of 30" is recommended and may be required.

Overhead cabinets on both sides of this unit must be a minimum of 18" above the cooking surface or countertop. Consult the cooktop or range installation instructions given by the manufacturer before making any cutouts.

MOBILE HOME INSTALLATION The installation of this rangehood must conform to the Manufactured Home Construction and Safety Standards, Title 24 CFR, Part 3280 (formerly Federal Standard for Mobile Home Construction and Safety, Title 24, HUD, Part 280). See Electrical Requirements.

VENTING REQUIREMENTS

Determine which venting method is best for your application. Ductwork can extend either through the wall or the roof.

The length of the ductwork and the number of elbows should be kept to a minimum to provide efficient performance. The size of the ductwork should be uniform. Do not install two elbows together. Use duct tape to seal all joints in the ductwork system. Use caulking to seal exterior wall or floor opening around the cap.

Flexible ductwork is not recommended. Flexible ductwork creates back pressure and air turbulence that greatly reduces performance.

Make sure there is proper clearance within the wall or floor for exhaust duct before making cutouts. Do not cut a joist or stud unless absolutely necessary. If a joist or stud must be cut, then a supporting frame must be constructed.

WARNING - To Reduce The Risk Of Fire, Use Only Metal Ductwork.

CAUTION - To reduce risk of fire and to properly exhaust air, be sure to duct air outside – Do not vent exhaust air into spaces within walls or ceilings or into attics, crawl spaces, or garages.

Cold Weather installations

An additional back draft damper should be installed to minimize backward cold air flow and a nonmetallic thermal break should be installed to minimize conduction of outside temperatures as part of the vent system. The damper should be on the cold air side of the thermal break. The break should be as close as possible to where the vent system enters the heated portion of the house.



WARNING

- Venting system **MUST** terminate outside the home.
- **DO NOT** terminate the ductwork in an attic or other enclosed space.
- **DO NOT** use 4" laundry-type wall caps.
- Flexible-type ductwork is not recommended.
- **DO NOT** obstruct the flow of combustion and ventilation air.
- Failure to follow venting requirements may result in a fire.

ELECTRICAL REQUIREMENTS

A 120 volt, 60 Hz AC-only electrical supply is required on a separate 15 amp fused circuit. A time-delay fuse or circuit breaker is recommended. The fuse must be sized per local codes in accordance with the electrical rating of this unit as specified on the serial/rating plate located inside the unit near the field wiring compartment.



WARNING

- Electrical ground is required on this rangehood.
- If cold water pipe is interrupted by plastic, nonmetallic gaskets or other materials, DO NOT use for grounding.
- DO NOT ground to a gas pipe.
- DO NOT have a fuse in the neutral or grounding circuit. A fuse in the neutral or grounding circuit could result in electrical shock.
- Check with a qualified electrician if you are in doubt as to whether the rangehood is properly grounded.
- Failure to follow electrical requirements may result in a fire.

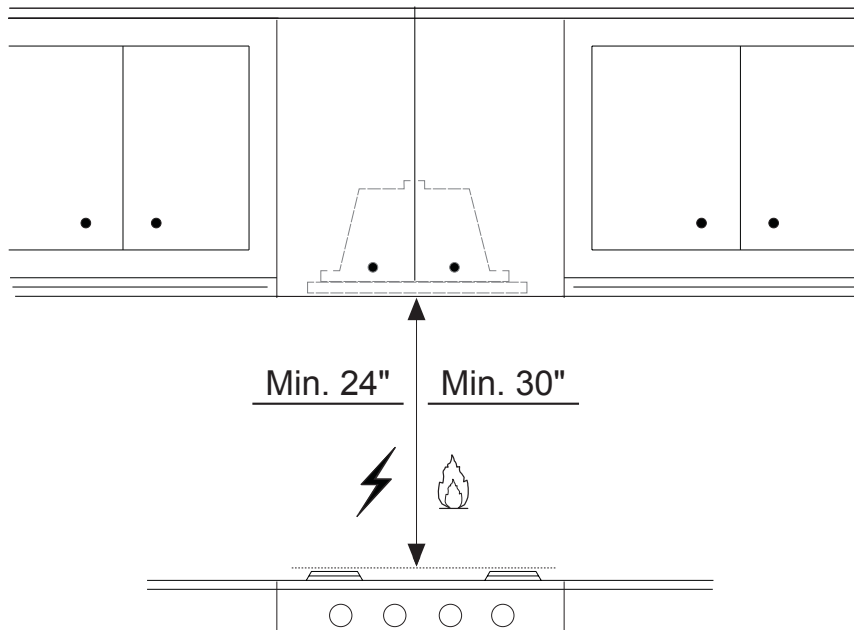
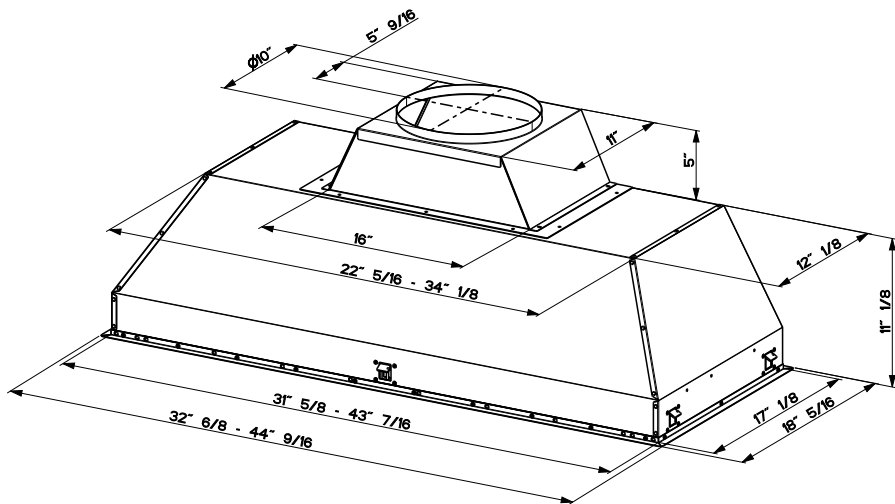
State of California Proposition 65 Warning (US only)

WARNING

This product contains chemicals known to the State of California to cause cancer and birth defects or other reproductive harm.

For more information go to www.P65Warnings.ca.gov

RANGEHOOD DIMENSIONS KIN36XT - KIN48XT

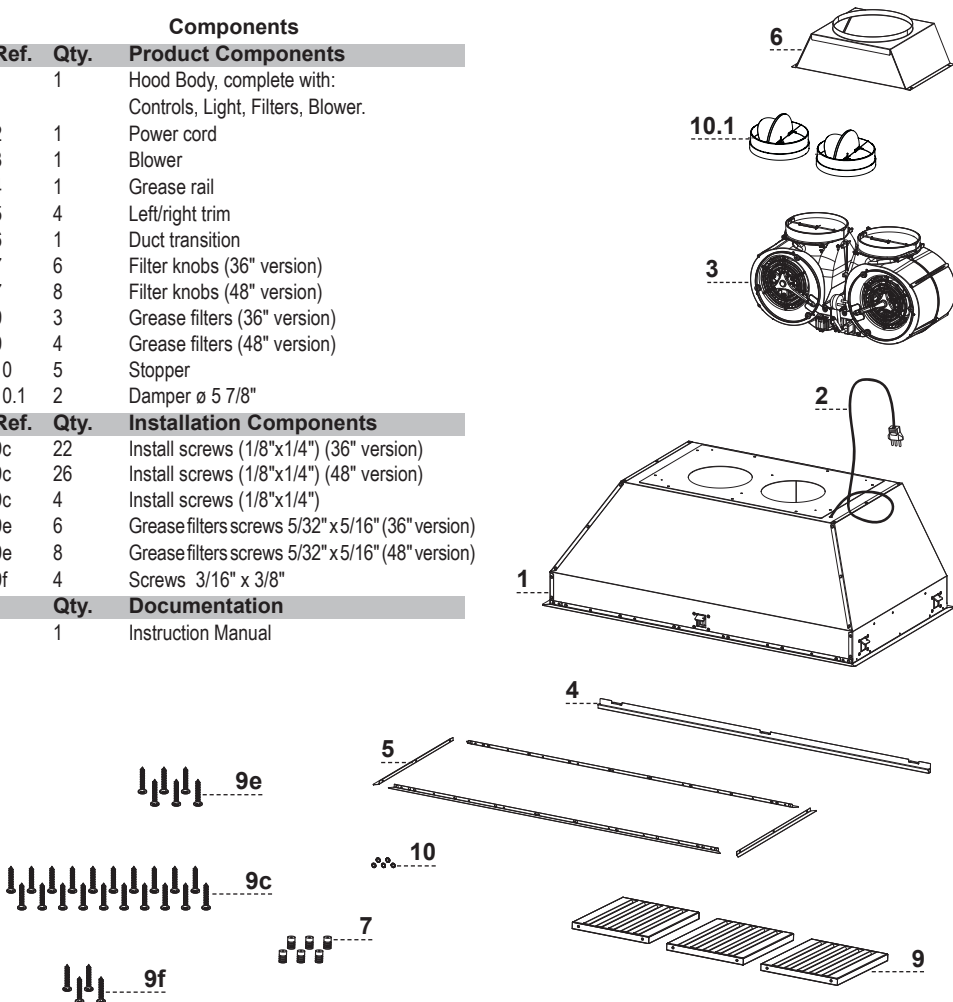


MAIN PARTS

Components		
Ref.	Qty.	Product Components
1	1	Hood Body, complete with: Controls, Light, Filters, Blower.
2	1	Power cord
3	1	Blower
4	1	Grease rail
5	4	Left/right trim
6	1	Duct transition
7	6	Filter knobs (36" version)
7	8	Filter knobs (48" version)
9	3	Grease filters (36" version)
9	4	Grease filters (48" version)
10	5	Stopper
10.1	2	Damper \varnothing 5 7/8"

Ref.	Qty.	Installation Components
9c	22	Install screws (1/8"x1/4") (36" version)
9c	26	Install screws (1/8"x1/4") (48" version)
9c	4	Install screws (1/8"x1/4")
9e	6	Grease filters screws 5/32"x5/16" (36" version)
9e	8	Grease filters screws 5/32"x5/16" (48" version)
9f	4	Screws 3/16" x 3/8"

Qty.	Documentation
1	Instruction Manual



Parts needed

- 10" Round Metal ductwork.

Available Accessories

Charcoal Filter kit sku #901531

Durable charcoal filter kit sku #901532

Remote Control Accessory sku #901575



RECIRCULATING INSTALLATIONS

IT IS HIGHLY RECOMMENDED THAT PROFESSIONAL STYLE COOKING ALWAYS BE VENTED TO THE OUTSIDE. For recirculating installations (Figure 1), Charcoal Filters are necessary. Remove all grease filters and set aside. Attach one charcoal filter to each end of the blower. Each charcoal filter attaches to the grid on the side of the blower. Rotate the filter clockwise to install and counterclockwise to remove (Figure 1A). Replace all grease filters. Recirculating installations also require some duct work to divert the air out of the top or face or side of the cabinet or custom hood or out of the side / face of the soffit and back into the kitchen. Install at least 15" of vertical run of metal duct (Figure 1) at the air outlet. Run the duct vertically and secure it at the relevant opening previously cut out at the top or side of the cabinet or soffit. A metal duct cover grille is also recommended. The duct work must not terminate inside the cabinet or custom hood.

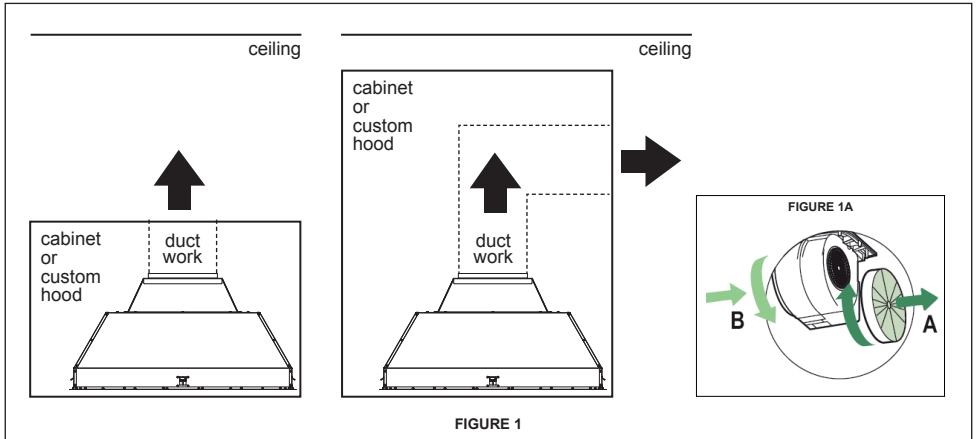


FIGURE 1

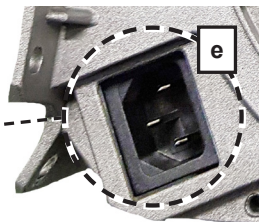
FOR ALL INSTALLATIONS REMOVE ALL WHITE PLASTIC PROTECTIVE COVERING FROM HOOD, SIDE RAILS, TRIM, GREASE RAILS AND GREASE FILTERS.

INSTALLATION

1. Install the 1st motor into the sides of the blower bracket using the 2 screws supplied (9f) in position C.



2. Plug the 9 way connector on the blower in the position D.
3. Plug the power cable on the blower in the position E.

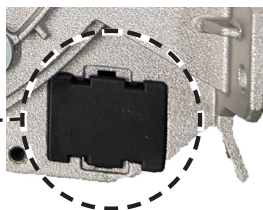


Detail of the first blower.

4. Install the 2nd motor into the sides of the blower bracket using the 2 screws supplied (9f) in the position C.

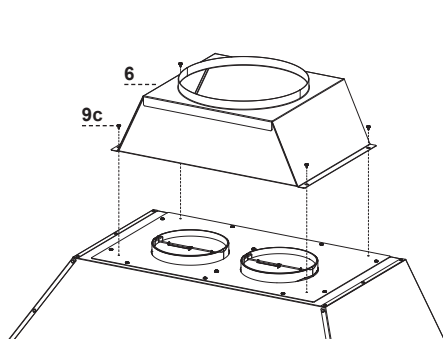
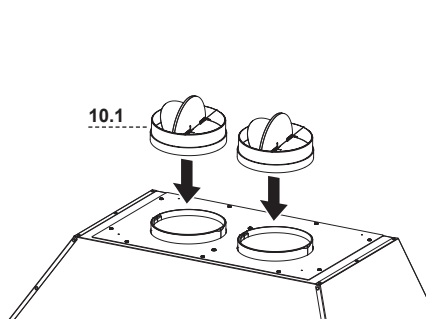


5. Plug the 9 way connector on the second blower in position F.

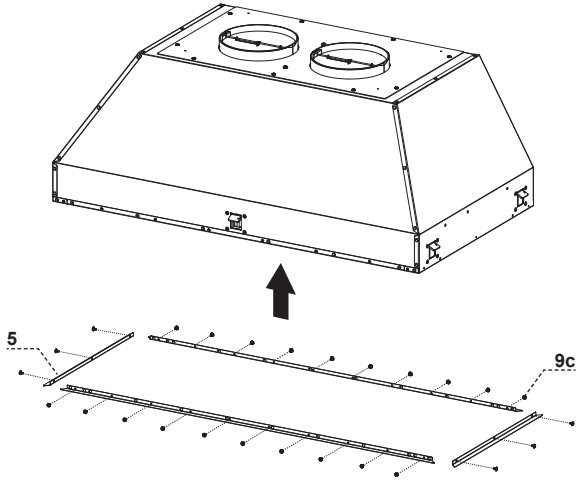


Detail of the second blower.

6. Connect the damper (10.1) to the motors.
Install the 10" duct transition (6) and install with four screws (9c).



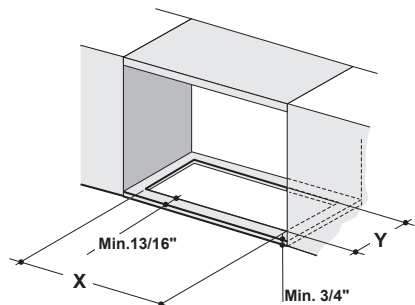
4. Remove the white plastic covering and install the side trim piece (5) to the outside of the hood using part 9c screws, see the side trim installation in.



5. Follow step 1-2 to connect ducting, and test the electrical connection.

Installation Instructions

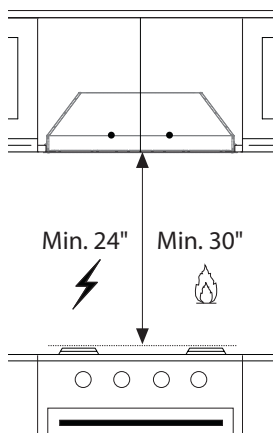
1a



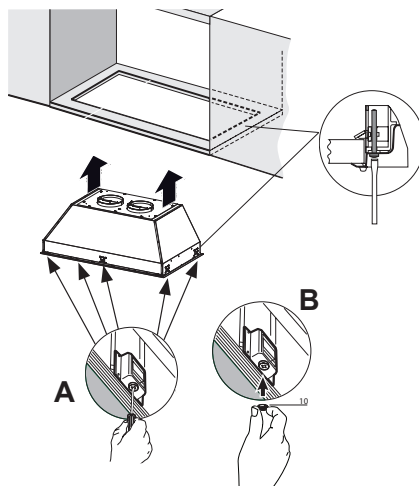
Cut out the opening in the underside of the cabinet as shown in Figure 1a.

Model #	X	Y
KIN36XT	31-7/8"	17-3/8"
KIN48XT	43-11/16"	17-3/8"

1b



Two people may be required for installation.



It is recommended that the Insert Hood is supported by a 3/4" wood base to insure Side Mount Clip alignment.

Minimum cabinet opening height-16". However height may vary to allow for ducting.

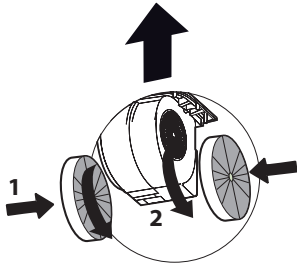
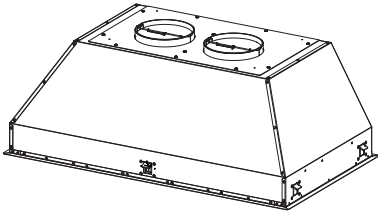
Install the Insert Hood into the cabinet opening, and fully engage the four spring-loaded Side Mount Clips onto the cabinet wood base.

Next from underneath the Insert as shown in Figure A, locate the screw in each of the Side Mount Clips.

To lock the Insert Hood into position, tighten the screw for each of four Side Mount Clips.

Next from underneath the Insert Hood Place the four plastic stoppers (10) as shown in Figure B.

2 For Non-Ducted Recirculation Option

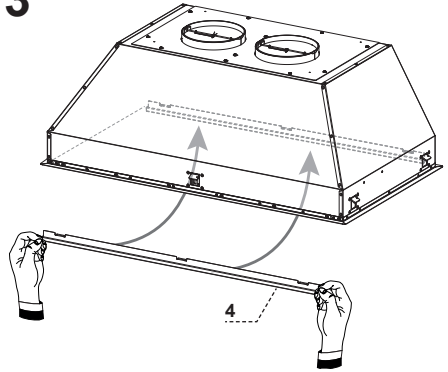


Attach each charcoal filter to the black grid on each side of the blower. Press the charcoal filter tightly to the black grid on the blower side and rotate the filter clockwise (towards the front of the insert hood) until it locks into place. Turn counterclockwise (towards the back of the insert hood) to remove.

Required Charcoal Filter kit sku #901531
 Durable charcoal filter kit sku #901532
 (purchased separately)

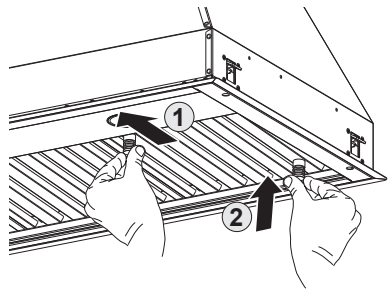
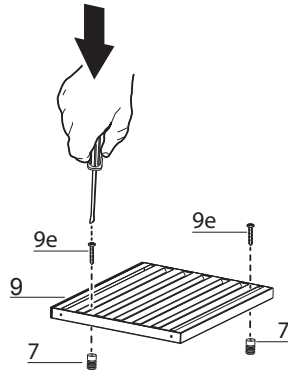


3



Hook the Grease rail (4) positioning it inside the hood. Is possible wash and reposition inside the hood.

4



Baffle Filter

Before installing the filters (9), tighten the 2 knobs (7) with 2 screws (9e). Use two hands to insert and remove the filters.

5

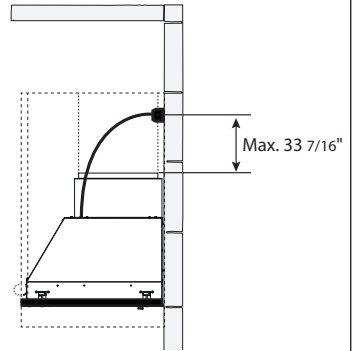
ELECTRICAL INSTALLATION WITH CONNECTION CABLE

GROUNDING INSTRUCTIONS This appliance must be grounded. In the event of an electrical short circuit, grounding reduces the risk of electric shock by providing an escape wire for the electric current. This appliance is equipped with a cord having a grounding wire with a grounding plug. The plug must be plugged into an outlet that is properly installed and grounded.

WARNING - Improper grounding can result in a risk of electric shock.

Consult a qualified electrician if the grounding instructions are not completely understood, or if doubt exists as to whether the appliance is properly grounded.

Do not use an extension cord. If the power supply cord is too short, have a qualified electrician install an outlet near the appliance.

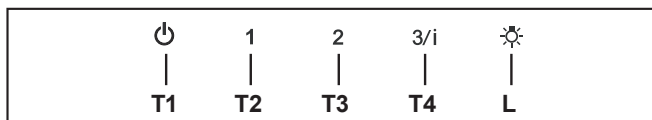


WARNING - "The supply cord shall be accessible for inspection after installation".

USE AND CARE INFORMATION

For Best Results

Start the rangehood several minutes before cooking to develop proper airflow. Allow the rangehood to operate for several minutes after cooking is complete to clear all smoke and odors from the kitchen.



- T1.** Fan off button: turn the blower Off. The fan can be operated by pressing any of the fan setting buttons. Hold down this button for 2 seconds to activate Delay off function which will keep the fan on for 15 minutes and automatically shut off.
- T2.** Fan settings buttons: Low speed.
- T3.** Fan settings buttons: Medium speed.
- T4.** Fan settings buttons: High speed / Intensive speed.
Hold down the button for 2 seconds to activate the intensive speed, which is timed to run for 6 minutes. At the end of this time it will automatically return to the speed set before. Suitable to deal with maximum levels of cooking fumes.
- L.** Light button: On/Off switch for the lights.

NOTE: If your product has had a CFM adjustment, refer to the CFM adjustment manual for the information. Some motor speeds or functions may be reduced.

Replacing Activated Charcoal Filter

The Activated Charcoal Filters are not washable and cannot be regenerated, and should be replaced approximately every 4 months of operation, or more frequently with heavy usage.

- Remove the charcoal filter by rotating it clockwise (backwards) until it unlocks from the motor housing and pull off sideways.
- To re-insert each charcoal filter, place up against the side of the blower and push it inward. Then turn the charcoal filter clockwise (forward) until it fits into place.

Caution: "When used in recirculation mode, to Reduce the Risk of Fire and Shock use only conversion kit Model Charcoal Filter kit sku #901531; Durable charcoal filter kit sku #901532"

Please contact the retailer that sold you the product to purchase carbon filters above.

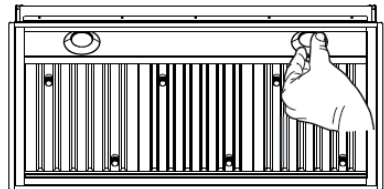
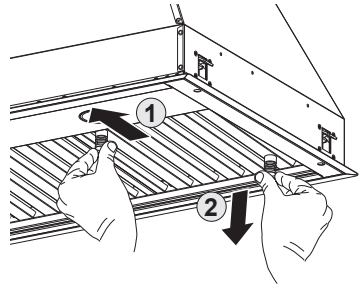
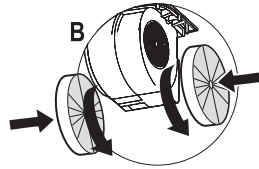
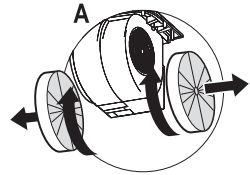
Cleaning

The stainless steel grease filters and grease rail should be cleaned frequently in hot detergent solution or washed in the dishwasher. Clean exterior surfaces with a commercially available stainless steel cleaner. Abrasives and scouring agents can scratch stainless steel finishes and should not be used to clean finished surfaces. Make sure the grease filters are completely dry with no water present before re-installing into hood.

Grease rail and Grease Filter Installation / Removal.

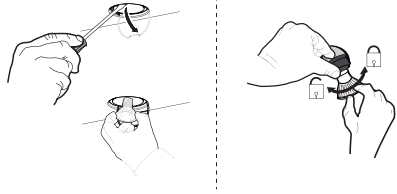
Remove the plastic from the filter, the knobs need to be installed onto the filter with 2 screws to each filter.

Install the grease rail into the back of the hood, into the slots on the inside floor of the rear of the hood. The Grease filters should be installed before operating the rangehood. To install the filters, use the two knobs to hold the filter and insert the filter into the front edge of the hood with the knobs facing out into the spring loaded slot. Install the other end of the filter above the grease rail in the back of the hood.



Lighting unit

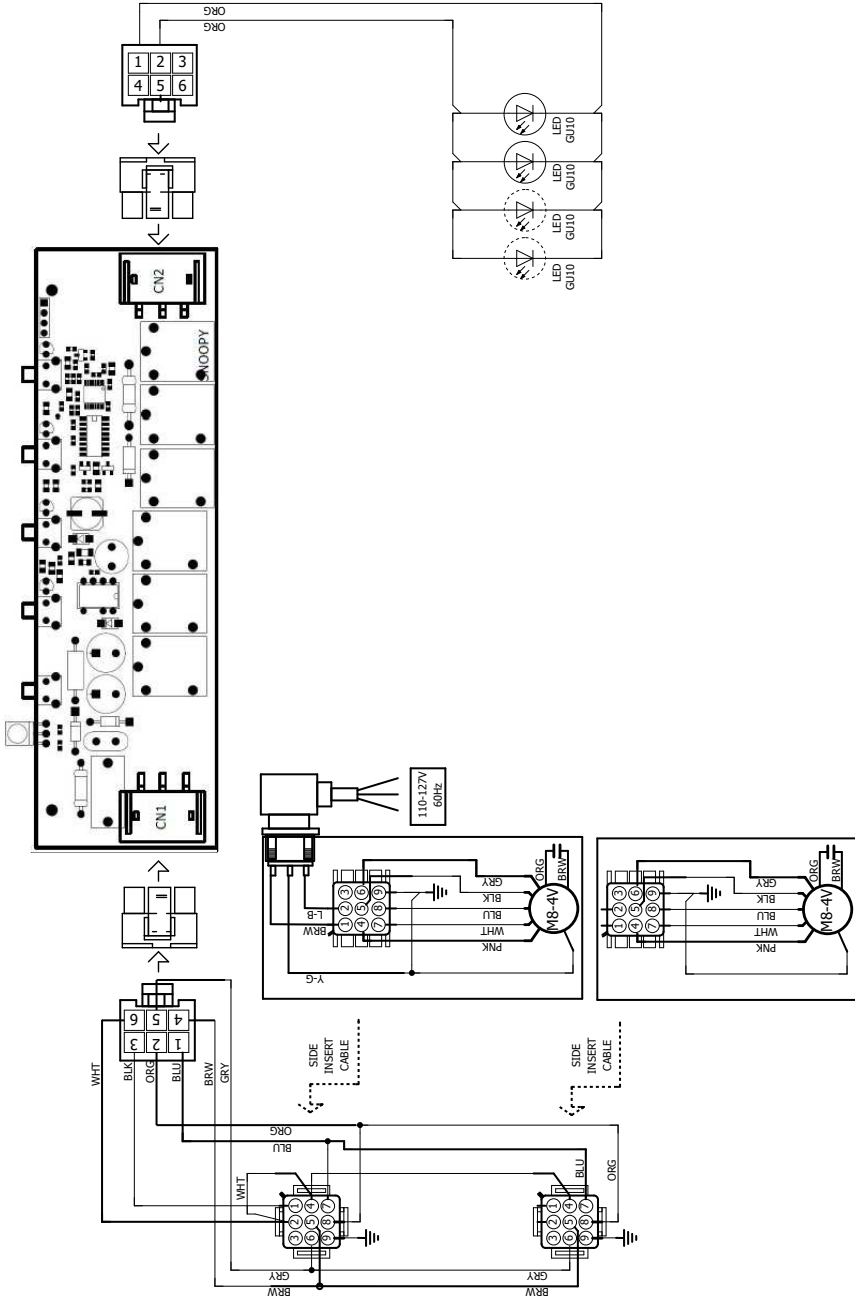
- Replace the lamp with a new one of the same type, making sure that you insert the two pins properly into the housings on the lamp holder.



Gu10 self-ballasted
led lamps – listed in
accordance with ul 1993/
nmx-j-578/1-ance/csa
c22.2 No. 1993



Wiring Diagram



CUSTOMER CARE

For any warranty information and service request, contact us:



In USA: <https://us.bertazzoni.com/more/support>
In Canada: <https://ca.bertazzoni.com/more/support>

VEUILLEZ LIRE ET CONSERVER LA PRÉSENTE NOTICE AVANT DE COMMENCER L'INSTALLATION DE LA HOTTE DE CUISINE

AVERTISSEMENT : POUR RÉDUIRE LE RISQUE D'UN FEU DE GRAISSE SUR LA TABLE DE CUISSON :

- a) Ne laissez jamais sans surveillance les éléments de la surface de cuisson à température élevée. Les bouillonnements excessifs peuvent provoquer de la fumée et les débordements de graisse peuvent s'enflammer. L'huile doit être chauffée lentement, à une température basse ou moyenne.
- b) Assurez-vous de toujours mettre en marche le ventilateur de la hotte lorsque vous cuisinez à température élevée ou préparez un mets flambé (p.ex. crêpes Suzette, cerises jubilé, bœuf flambé).
- c) Nettoyez régulièrement les ventilateurs d'aspiration. Assurez-vous de ne pas laisser de la graisse s'accumuler sur le ventilateur ou le filtre.
- d) Utilisez toujours des poêles et casseroles de la taille appropriée. Utilisez toujours des ustensiles de cuisine de la taille adaptée à celle de l'élément chauffant.

AVERTISSEMENT : - POUR PRÉVENIR LES BLESSURES EN CAS DE FEU DE GRAISSE SUR LA TABLE DE CUISSON, SUIVEZ LES RECOMMANDATIONS SUIVANTES* :

- a) ÉTOUFFEZ LES FLAMMES à l'aide d'un couvercle hermétique, d'une plaque à biscuits ou d'un plateau métallique, puis éteignez le brûleur. FAITES ATTENTION AUX BRÛLURES. Si le feu ne s'éteint pas immédiatement, QUITTEZ LES LIEUX ET APPELEZ LES POMPIERS.
- b) NE PRENEZ JAMAIS UNE CASSEROLE EN FLAMME - Vous pourriez vous brûler.
- c) N'UTILISEZ JAMAIS DE L'EAU, ni un linge à vaisselle ou un torchon mouillé, pour éteindre le feu. Cela pourrait provoquer une violente explosion de vapeur.
- d) Utilisez un extincteur UNIQUEMENT si :
 1. Vous êtes certain qu'il s'agit d'un extincteur de classe ABC et que vous connaissez bien son mode d'emploi.
 2. Le feu est de faible intensité et se limite à l'endroit où il a démarré.
 3. Les pompiers ont déjà été appelés.
 4. Une voie de sortie se trouve derrière vous pendant que vous éteignez les flammes.

* D'après le guide « Kitchen Firesafety Tips » publié par la NFPA aux États-Unis

AVERTISSEMENT - POUR RÉDUIRE LE RISQUE D'INCENDIE OU DE CHOC ÉLECTRIQUE, n'utilisez jamais ce ventilateur en association avec un dispositif de réglage de vitesse à semi-conducteurs.

AVERTISSEMENT - POUR RÉDUIRE LES RISQUES D'INCENDIE, DE CHOC ÉLECTRIQUE OU DE BLESSURE CORPORELLE, RESPECTEZ LES INSTRUCTIONS SUIVANTES :

1. Utilisez cet appareil uniquement de la façon prévue par le fabricant. Pour toute question, communiquez avec le fabricant.
2. Avant de procéder à l'entretien ou au nettoyage de l'appareil, coupez l'alimentation au niveau du panneau électrique et verrouillez-le pour vous assurer que l'électricité n'est pas rétablie accidentellement. S'il n'est pas possible de verrouiller le dispositif d'interruption de l'alimentation, affichez de façon ferme et bien visible un avis de danger, par exemple à l'aide d'une étiquette sur le panneau.

ATTENTION : Destiné à un usage de ventilation générale uniquement. N'utilisez pas ce dispositif pour l'aspiration de vapeurs ou de matériaux dangereux ou explosifs.

AVERTISSEMENT - POUR RÉDUIRE LES RISQUES D'INCENDIE, DE CHOC ÉLECTRIQUE OU DE BLESSURE CORPORELLE, RESPECTEZ LES INSTRUCTIONS SUIVANTES :

1. L'installation et le branchement électrique doivent être réalisés par un technicien qualifié et conformément à tous les codes et normes en vigueur, incluant ceux concernant la construction à l'épreuve du feu.
2. Afin de garantir une combustion et une évacuation adéquates des gaz par les conduites de la cheminée des appareils à combustion, une bonne aération est nécessaire pour éviter le refoulement. Respectez les lignes directrices fournies par le fabricant du matériel chauffant, ainsi que les normes de sécurité comme celles publiées par la National Fire Protection Association (NFPA) et la American Society for Heating, Refrigeration and Air Conditioning Engineers (ASHRAE) aux États-Unis, ainsi que les codes en vigueur dans votre région.
3. Lorsque vous faites une ouverture ou percez dans un mur ou le plafond, veillez à ne pas endommager les fils électriques ou d'autres dispositifs cachés.

4. Les ventilateurs canalisés doivent toujours être raccordés à l'extérieur.

TOUTE OUVERTURE DANS LE MUR OU LE PLANCHER À PROXIMITÉ DE LA HOTTE DOIT ÊTRE
SCELLÉE.

Un espace libre d'au moins 24" est requis entre le bas de la hotte et la surface de cuisson ou le comptoir. Cette hotte a été homologuée par l'UL à cette distance de la surface de cuisson.

L'espace libre minimal requis peut-être plus grand, selon la réglementation en matière de construction de votre région. Pour les cuisinières à gaz et les cuisinières combinées, un espace minimal de 30" est recommandé et pourrait être exigé.

Les armoires suspendues de chaque côté de l'appareil doivent se trouver à au moins 18" de la surface de cuisson ou du comptoir. Consultez la notice d'installation de la surface de cuisson ou de la cuisinière fournie par le fabricant avant de pratiquer des ouvertures.

INSTALLATION DANS UNE MAISON MOBILE L'installation de cette hotte doit être conforme à la Partie 3280 de la norme Manufactured Home Construction and Safety Standards, Title 24 CFR (précédemment la partie 280 de la norme Federal Standard for Mobile Home Construction and Safety, Title 24, HUD). Consultez la fiche technique électrique.

CRITÈRES DE VENTILATION

Déterminez quelle méthode de ventilation est mieux adaptée à votre application. Les conduits peuvent passer par le mur ou le toit.

Pour garantir une meilleure efficacité, la longueur des conduits et le nombre de coudes doivent être le plus limités que possible. Le diamètre des conduits devrait être uniforme. N'installez pas deux coudes ensemble. Utilisez un ruban pour canalisations afin de sceller tous les joints du système de conduits. Utilisez un cafeutrage pour sceller les ouvertures dans le mur extérieur ou le plancher, autour du clapet.

Il n'est pas recommandé d'utiliser des conduits flexibles. Les conduits flexibles provoquent une contre-pression et de la turbulence qui diminuent grandement l'efficacité de l'appareil.

Assurez-vous que l'espace libre dans le mur ou le plancher est suffisant pour le conduit d'évacuation avant de pratiquer les ouvertures. Ne coupez jamais une poutre ou un chevron, sauf si c'est absolument nécessaire. S'il s'avère nécessaire de couper une poutre ou un chevron, la construction d'un renforcement est requise.

AVERTISSEMENT - Pour réduire le risque d'incendie, utilisez uniquement des conduits métalliques.

ATTENTION - Pour réduire le risque d'incendie et pour évacuer adéquatement l'air, assurez-vous de raccorder les conduits à l'extérieur – Ne diffusez pas l'air d'évacuation dans des espaces à l'intérieur des murs ou du plafond, ou encore à l'intérieur d'un grenier, d'une galerie technique ou d'un garage.

Installation dans les climats froids

Le système de ventilation doit prévoir un registre antirefoulement supplémentaire pour réduire le flux d'air froid inverse, ainsi qu'une barrière thermique non métallique pour réduire la conduction des températures extérieures. Le registre doit être installé du côté air froid par rapport à la barrière thermique. La barrière thermique doit être positionnée le plus près que possible de l'endroit où le système de ventilation pénètre dans la partie chauffée de la maison.



AVERTISSEMENT

- Le système de ventilation **DOIT** déboucher à l'extérieur.
- **NE FAITES PAS** déboucher les conduits dans un grenier ou un autre endroit fermé.
- **N'UTILISEZ PAS** un clapet de sècheuse mural de 4 po.
- Il n'est pas recommandé d'utiliser des conduits flexibles.
- **N'ENTRAVEZ PAS** le flux de l'air de combustion et de ventilation.
- Le non-respect des exigences en matière de ventilation pourrait entraîner un incendie.

FICHE TECHNIQUE ÉLECTRIQUE

Une alimentation de courant alternatif de 120 volts à 60 Hz est requise sur un circuit à fusible distinct de 15 ampères. Il est recommandé d'installer un fusible temporisé ou un disjoncteur. Le fusible doit être calibré conformément aux codes en vigueur pour les caractéristiques nominales électriques de l'appareil, indiquées sur la plaque signalétique située à l'intérieur de l'appareil, à proximité du compartiment des câblages externes.



AVERTISSEMENT

- Une mise à la terre électrique est requise pour cette hotte.
- N'UTILISEZ PAS un tuyau d'eau froide pour la mise à la terre si celui-ci est branché par des joints en plastique, par des rondelles non métalliques ou d'autres matériaux.
- N'UTILISEZ PAS une conduite de gaz pour la mise à la terre.
- N'INSTALLEZ PAS un fusible sur le circuit neutre ou le circuit de mise à la terre. La présence d'un fusible dans le circuit neutre ou de mise à la terre peut entraîner un choc électrique.
- Consultez un électricien qualifié si vous n'êtes pas certain de la mise à la terre de la hotte.
- Le non-respect des exigences de la fiche technique électrique pourrait entraîner un incendie.

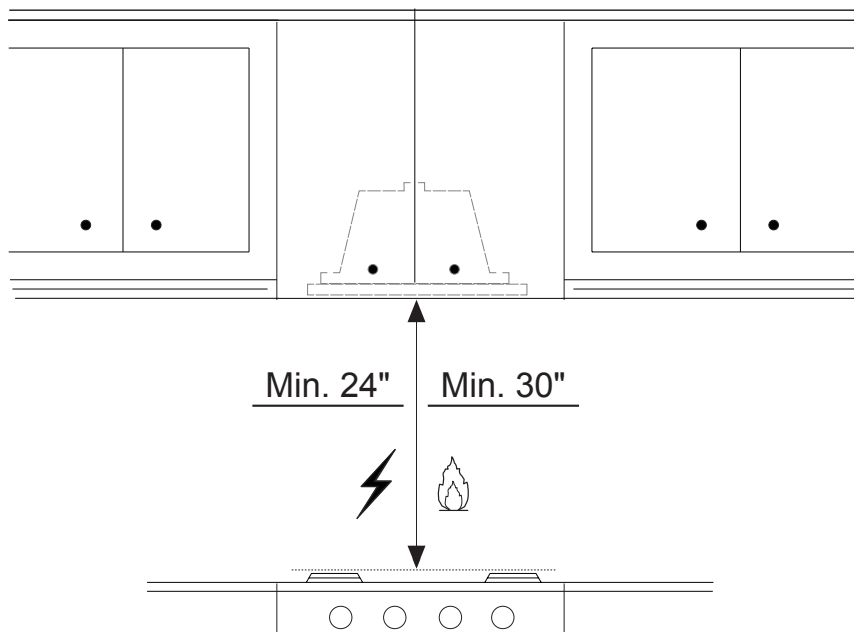
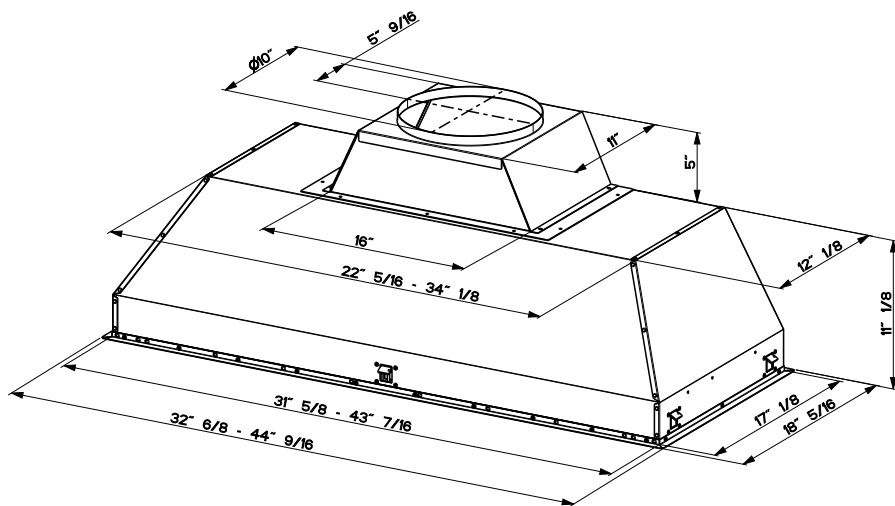
Avertissement de la proposition 65 de l'État de Californie (US seulement)

ATTENTION

Ce produit contient des produits chimiques connus de l'État de Californie pour causer le cancer et des malformations congénitales ou d'autres problèmes de reproduction.

Pour plus d'informations, visitez www.P65Warnings.ca.gov

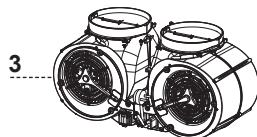
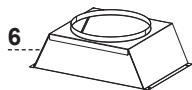
DIMENSIONS DE LA HOTTE KIN36XT - KIN48XT



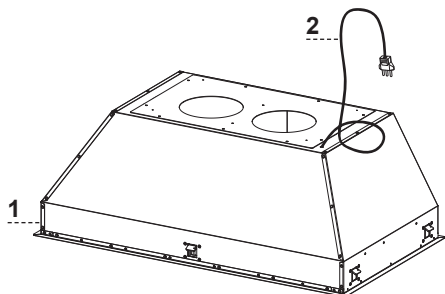
PIÈCES PRINCIPALES

Composants

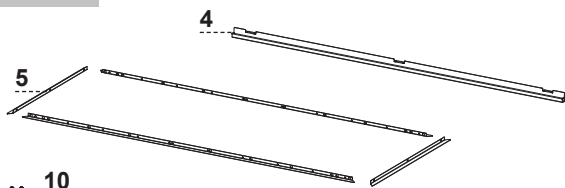
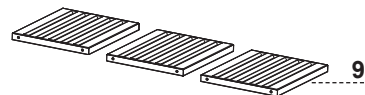
Réf.	Qté	Product Components
1	1	Bâti de la hotte avec : Commandes, Éclairage, Filtres, Ventilateur.
2	1	Câble d'alimentation
3	1	Ventilateur
4	1	Gouttière
5	4	Garniture gauche/droite
6	1	Transition de conduits
7	6	Boutons des filtres (Version 36")
7	8	Boutons des filtres (Version 48")
9	3	Filtres à graisse (Version 36")
9	4	Filtres à graisse (Version 48")
10	5	Obturateur
10.1	2	Registre ø 5 7/8"



Réf.	Qté	Composants d'installation
9c	22	Vis d'installation (1/8"x1/4") (Version 36")
9c	26	Vis d'installation (1/8"x1/4") (Version 48")
9c	4	Vis d'installation (1/8"x1/4")
9e	6	Vis des filtres à graisse 5/32" x 5/16" (Version 36")
9e	8	Vis des filtres à graisse 5/32" x 5/16" (Version 48")
9f	4	Vis 3/16" x 3/8"



Qté	Documentation
1	Instruction Manual



Pièces requises

- Conduit métallique 10" circulaire.

Available Accessories

Kit filtre à charbon sku #901531

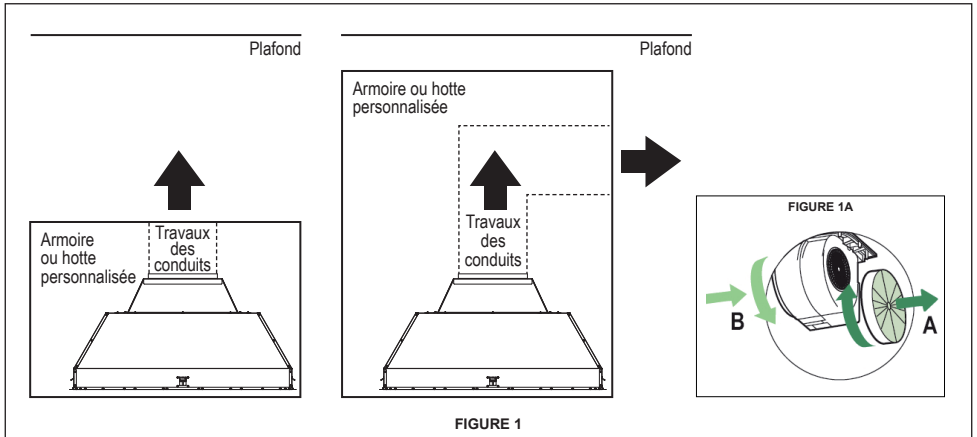
Kit filtre à charbon durable sku #901532

Accessoire commande à distance sku #901575



INSTALLATIONS A RECIRCULATION

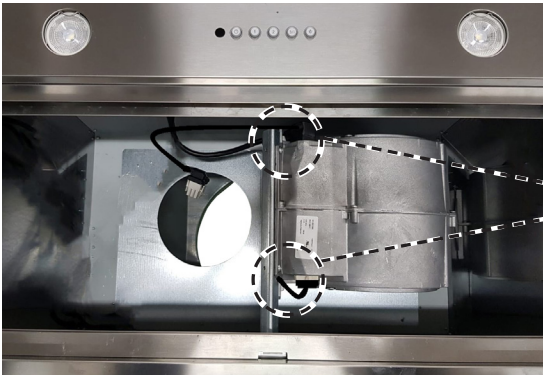
IL EST VIVEMENT RECOMMANDE QUE LA CUISINE DE STYLE PROFESSIONNEL SOIT TOUJOURS VENTILÉE À L'EXTÉRIEUR. Pour les installations à recirculation (Figure 1), des filtres à charbon sont indispensables. Retirez tous les filtres à graisse et mettez-les de côté. Fixez un filtre à charbon à chacune des extrémités du ventilateur. Chaque filtre à charbon se fixe à la grille sur le côté du ventilateur. Faites tourner le filtre dans le sens des aiguilles d'une montre pour l'installer et dans le sens inverse pour le retirer (Figure 1A). Remplacez tous les filtres à graisse. Les installations à recirculation exigent également des conduits permettant de détourner l'air du haut ou de la face ou du côté de l'armoire ou de la hotte personnalisée ou du côté / de la face du plafond et de retour dans la cuisine. Installez au moins un conduit de 15" de longueur verticale métallique (Figure 1) à la sortie d'air. Faites passer le conduit verticalement et fixez-le à l'ouverture correspondant préalablement découpée en haut ou sur le côté de l'armoire ou du plafond. Une grille cache-conduit métallique est également recommandée. Les conduits ne doivent pas se terminer à l'intérieur de l'armoire ou de la hotte personnalisée.



POUR TOUTES LES INSTALLATIONS, ENLEVEZ TOUS LES REVÊTEMENTS DE PROTECTION EN PLASTIQUE BLANC DE LA HOTTE, DES RAILS LATÉRAUX, DES GARNITURES, DES RAILS À GRAISSE ET DES FILTRES À GRAISSE.

INSTALLATION

1. Installez le 1er moteur sur les côtés du support du ventilateur à l'aide des 2 vis livrées (9f) en position C.

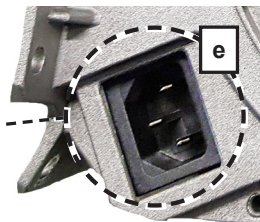


c

2. Branchez le connecteur 9 voies sur le ventilateur en position D.
3. Branchez le câble d'alimentation sur le ventilateur en position E.



d

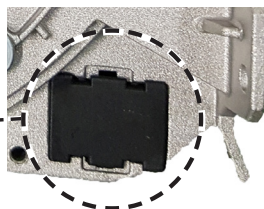


Détail du premier ventilateur.

4. Installez le 2ème moteur sur les côtés du support du ventilateur à l'aide des 2 vis livrées (9f) en position C.



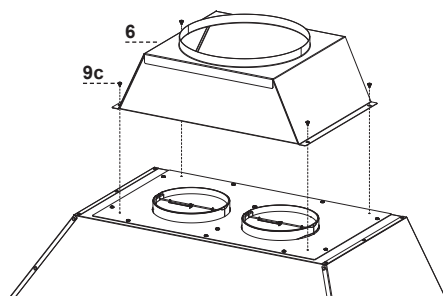
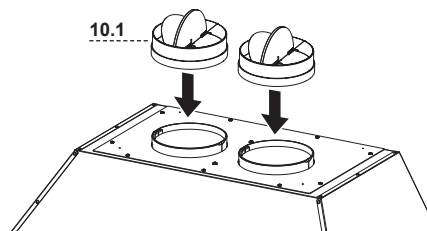
5. Branchez le connecteur 9 voies sur le deuxième ventilateur en position F.



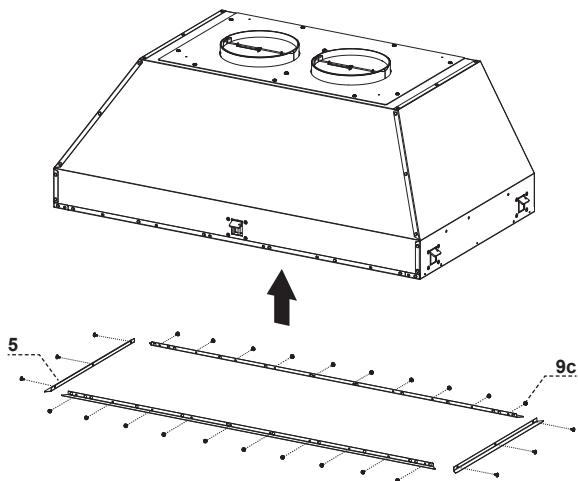
Détail du deuxième ventilateur.

6. Connectez l'amortisseur (10.1) aux moteurs.

Installez la transition de conduit de 10" (6) et fixez-la à l'aide des quatre vis (9c).



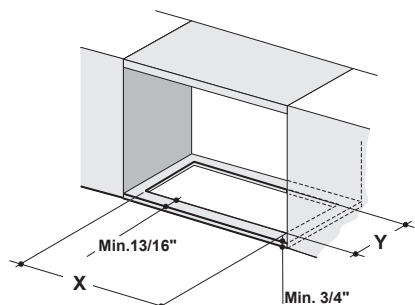
4. Retirez le revêtement en plastique blanc et installez la garniture latérale (5) à l'extérieur de la hotte à l'aide des vis de la pièce 9c, voir l'installation de la garniture latérale.



5. Suivez les étapes 1-2 pour connecter les conduits et tester le branchement électrique.

Instructions d'installation

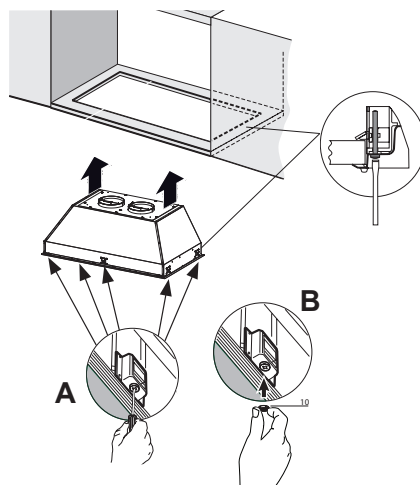
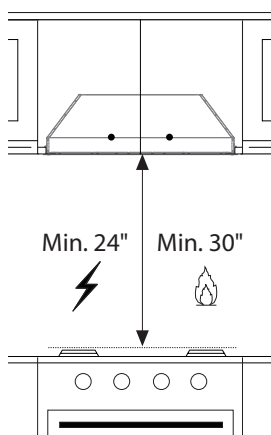
1a



Découpez l'ouverture dans le dessous de l'armoire comme illustré à la figure 1a.

Modèle #	X	Y
KIN36XT	31-7/8"	17-3/8"
KIN48XT	43-11/16"	17-3/8"

1b



Il est recommandé que le capot d'insertion soit supporté par une base en bois de 3/4" pour assurer l'alignement du clip de montage latéral.

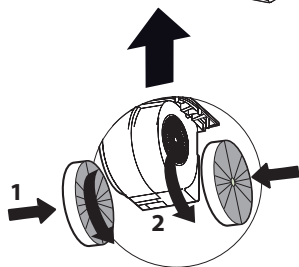
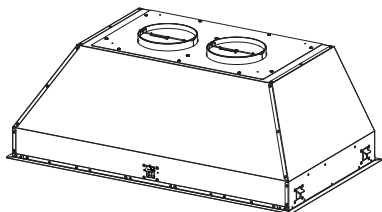
Hauteur ouverture cabine minimum 16". Cependant, la hauteur peut varier pour permettre la pose des conduits.

Installez le capot d'insertion dans l'ouverture de l'armoire et engagez complètement les quatre clips de montage latéraux à ressort sur la base en bois de l'armoire.

Ensuite, en dessous de l'insert, comme illustré à la figure A, repérez la vis dans chacun des clips de montage latéraux.

Pour verrouiller le capot d'insertion en position, serrez la vis de chacun des quatre clips de montage latéraux. À côté du dessous du capot d'insertion, placez les quatre bouchons en plastique (10) comme illustré à la figure B.

2 Pour l'option de recirculation sans conduit



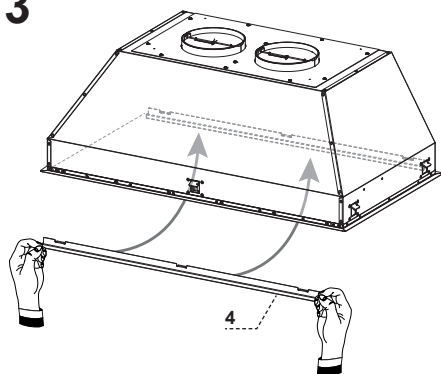
Fixez chaque filtre à charbon à la grille noire de chaque côté de la soufflante. Appuyez fermement le filtre à charbon sur la grille noire du côté de la soufflante et tournez le filtre dans le sens des aiguilles d'une montre (vers l'avant de la hotte encastrable) jusqu'à ce qu'il se verrouille en place. Tournez dans le sens inverse des aiguilles d'une montre (vers l'arrière de la hotte) pour le retirer.

Kit de filtre à charbon nécessaire
sku #901531 (à acheter
séparément).

Kit de filtre à charbon durable sku
#901532 (à acheter séparément).

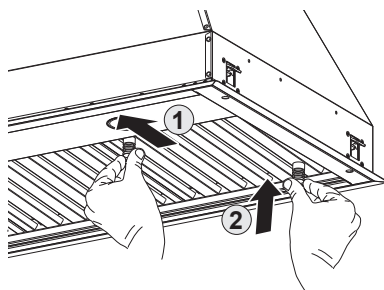
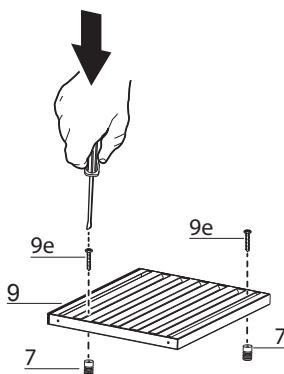


3



Engagez la gouttière (4) à l'intérieur de la hotte. Il est possible de le laver et de le replacer à l'intérieur de la hotte.

4



Filtre à chicane

Avant de poser les filtres (9), serrez les 2 boutons (7) à l'aide de 2 vis (9e). Utilisez les deux mains pour insérer et retirer les filtres.

5

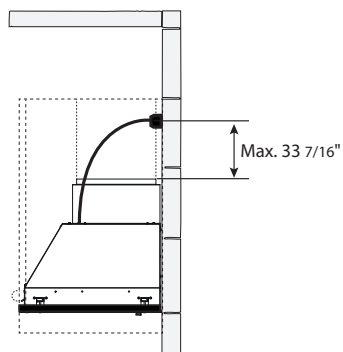
INSTALLATION ÉLECTRIQUE AVEC CÂBLE DE CONNEXION

INSTRUCTIONS DE MISE À LA TERRE Cet appareil doit être mis à la terre. En cas de court-circuit électrique, la mise à la terre réduit le risque de choc électrique grâce à un fil de fuite pour le courant électrique. Cet appareil est équipé d'un cordon comportant un fil de mise à la terre et une fiche de mise à la terre. Veuillez brancher cette fiche dans une prise de courant correctement installée et mise à la terre.

AVERTISSEMENT - Une mise à la terre incorrecte peut entraîner un risque de choc électrique.

Consultez un électricien qualifié si vous ne comprenez pas parfaitement les instructions de mise à la terre ou si vous avez des doutes quant à la mise à la terre de l'appareil.

N'utilisez pas de rallonge électrique. Si le câble d'alimentation est trop court, demandez à un électricien qualifié d'installer une prise à proximité de l'appareil.

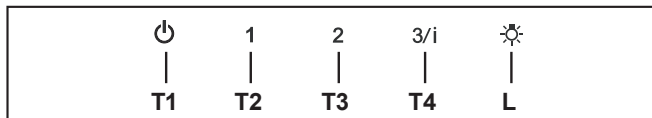


AVERTISSEMENT - « Le cordon d'alimentation doit être accessible pour inspection après l'installation ».

INFORMATIONS POUR L'UTILISATION ET L'ENTRETIEN

Pour de meilleurs résultats

Activez la hotte quelques minutes avant de commencer à cuisiner pour créer un flux d'air adéquat. Laissez la hotte fonctionner quelques minutes après avoir fini de cuisiner pour absorber toute la fumée et les odeurs de la cuisine.



T1. Bouton arrêt du ventilateur : éteint le ventilateur. Le ventilateur peut être allumé en appuyant sur l'un ou l'autre des boutons de réglage.

Tenez ce bouton enfoncé pendant 2 secondes pour activer la fonction de désactivation retardée, qui éteindra automatiquement le ventilateur après 15 minutes de marche.

T2. Boutons de réglage du ventilateur : vitesse réduite.

T3. Boutons de réglage du ventilateur : vitesse moyenne.

T4. Boutons de réglage du ventilateur : vitesse élevée / vitesse intensive.

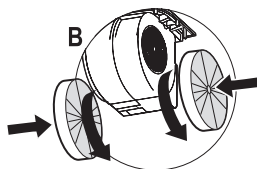
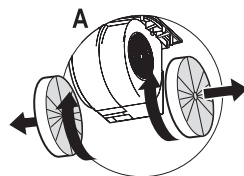
Tenez le bouton enfoncé pendant environ 2 secondes pour activer la vitesse intensive, pour une durée de 6 minutes. Après ce délai, la vitesse retournera automatiquement à la vitesse sélectionnée précédemment. Utile pour contrer les émanations maximales de cuisson.

L. Bouton pour l'éclairage: commutateur marche/arrêt pour l'éclairage.

REMARQUE: Si votre produit a subi un réglage CFM, reportez-vous au manuel de réglage CFM pour plus d'informations. Certaines vitesses de moteur des fonctions peuvent être réduites.

Remplacement filtre à charbons actifs

- Les filtres à charbon actif ne sont pas lavables et ne peuvent pas être régénérés ; veuillez remplacer environ tous les 4 mois de fonctionnement, ou plus fréquemment en cas d'utilisation intensive.
- Retirez le filtre à charbon en le tournant dans le sens des aiguilles d'une montre (vers l'arrière) jusqu'à ce qu'il se déverrouille du carter du moteur et retirez-le latéralement.
- Ensuite, en dessous de l'insert, comme illustré à la figure A, repérez la vis dans chacun des clips de montage latéraux. Ensuite tournez le filtre à charbon dans le sens des aiguilles d'une montre (en avant) jusqu'à ce qu'il se mette en place.

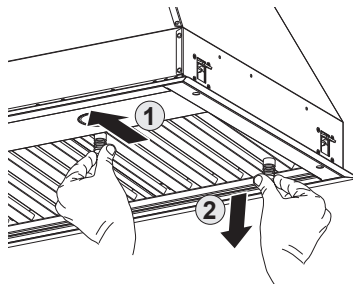


Attention : « Lorsqu'il est utilisé en mode recirculation, pour réduire le risque d'incendie et de choc, utilisez uniquement le kit de conversion Modèle de filtre à charbon sku #901531 ; Kit de filtre à charbon durable sku #901532 ».

Veuillez contacter le détaillant qui vous a vendu le produit pour acheter les filtres à charbon ci-dessus.

Nettoyage

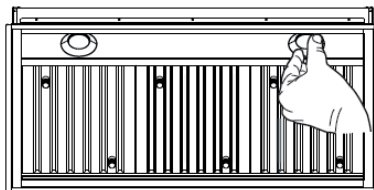
Les filtres de graisse d'acier inoxydable et le rail de graisse devraient être nettoyés fréquemment dans la solution détergente chaude ou être lavés dans le lave-vaisselle. Nettoyez les surfaces extérieures avec un décapant disponible dans le commerce d'acier inoxydable. Les abrasifs et les agents de récurage peuvent rayer des finitions d'acier inoxydable et ne devraient pas être employés pour nettoyer les surfaces de finition.



Graissez l'installation de filtre de rail et de graisse/déplacement

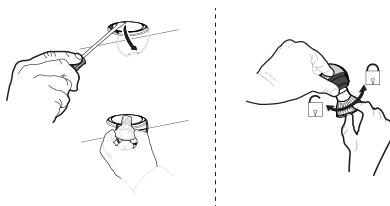
Éliminez le plastique du filtre, les boutons doivent être installés sur le filtre avec 2 vis sur chaque filtre.

Installez le rail de graisse sur le dos du capot, sur les fentes sur le plancher intérieur de l'arrière du capot. Les filtres de graisse devraient être installés avant d'actionner le rangehood. Pour installer les filtres, employez les deux boutons pour tenir le filtre et pour insérer le filtre dans le bord avant du capot avec les boutons faisant face dehors dans la fente à ressort. Installez l'autre extrémité du filtre au-dessus du rail de graisse dans le dos du capot.



Système d'éclairage

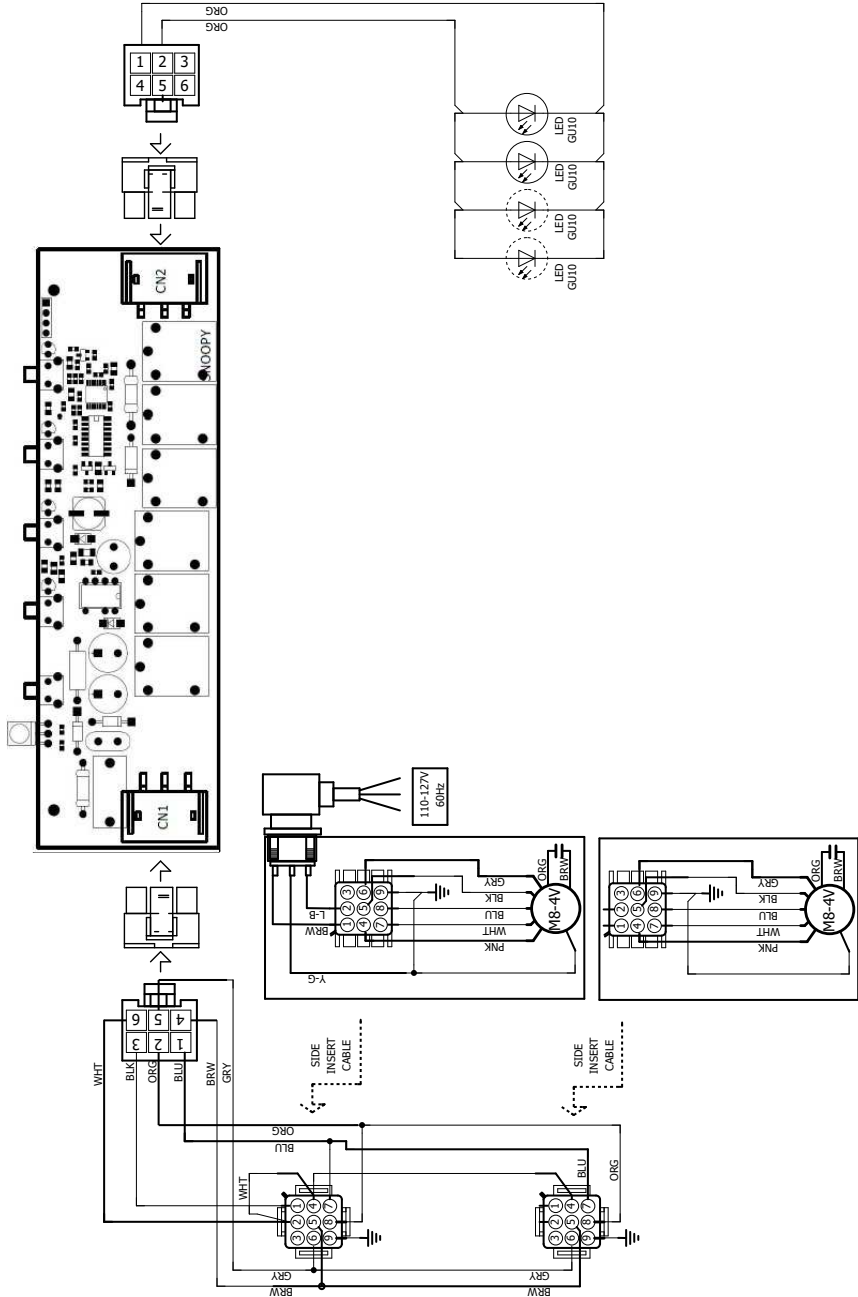
- Remplacez l'ampoule avec une nouvelle du même type, en vous assurant d'insérer correctement les deux connecteurs dans leur logement sur le socle.



Lampes DEL à ballast
intégré de type Gu10 –
répondant à la norme UL
1993/nmx-j-578/1-ance/
csa c22.2 No 1993



Schéma de câblage



SERVICE CLIENTÈLE

Pour toute information sur la garantie et demande de service, contactez-nous:



Aux États-Unis :
Au Canada:

<https://us.bertazzoni.com/more/support>
<https://ca.bertazzoni.com/more/support>

