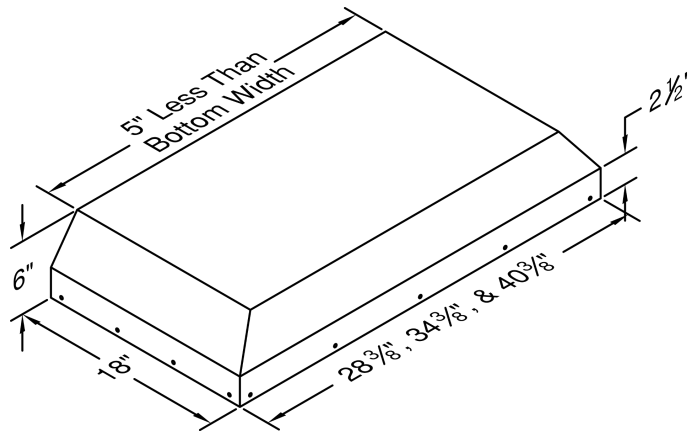


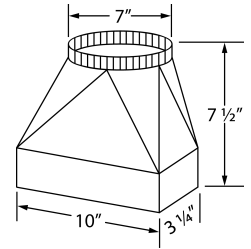
**Model Number: KH28SLD**

Special Notes: LED GU10 lighting. This model is not available with heat lamps. This model is available in black, biscuit, gunsmoke, stainless steel, and white. No customizations.

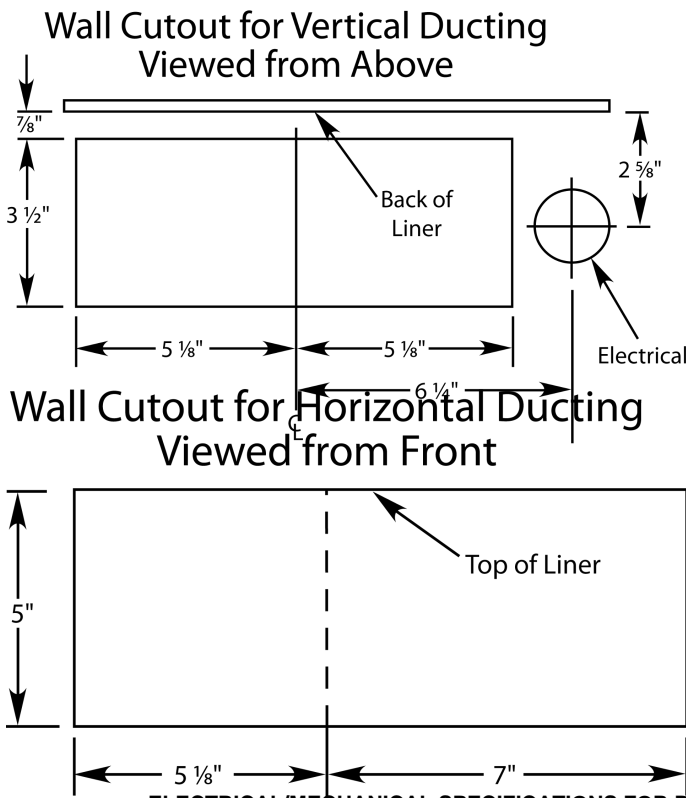
|                  |         |
|------------------|---------|
| <b>WIDTH:</b>    | 28 3/8" |
| <b>DEPTH:</b>    | 18"     |
| <b>HEIGHT:</b>   | 6"      |
| <b>CFM:</b>      | 250     |
| <b>SONES:</b>    | 7.4     |
| <b>AMPS:</b>     | 3.5     |
| <b># LIGHTS:</b> | 2       |



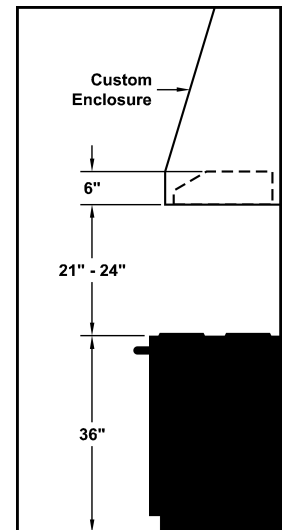
The VP521 transition is available for top vent applications at an additional charge.



**CONNECTION DIAGRAM**



**REC. MOUNTING HEIGHT\***



\* Exceeding recommended mounting height may compromise performance.

**ELECTRICAL/MECHANICAL SPECIFICATIONS FOR BLOWER UNIT**

| MODEL           | VOLTS | AMPS+ | HZ | RPM  | CFM SP@0.0" | EQUIV CFM\$ | CFM SP@0.1" | CFM SP@0.2" | CFM SP@0.3" | MIN. ROUND DUCT SIZE | SONES# |
|-----------------|-------|-------|----|------|-------------|-------------|-------------|-------------|-------------|----------------------|--------|
| K250 (Top Vent) | 115   | 3.5   | 60 | 1550 | 250         | 375         | 223         | 220         | 190         | 7" (38 sq. in.)      | 7.4    |

+ This model is equipped with two LED GU10 lights.

\$ Because the Power Lung#8482; blower uses centrifugal filtration rather than conventional baffle or mesh filters, the Power Lung#8482; blower can handle cooking equipment with higher cubic feet per minute (CFM) requirements and can deliver equivalent CFM much more efficiently than other filtration systems. When comparing the Power Lung#8482; with other blower units made by other manufacturers, use the "Equivalent CFM".

# Ratings in accordance with the Standard Test Code by the Energy Systems Laboratory of the Texas Engineering Experiment Station.