

KFN 7795 D

PerfectCool fridge-freezer

PerfectFresh Active, DynaCool, and IceMaker for outstanding appearance.



- Fresh 5x longer with active humidification – PerfectFresh Active
- Ice cubes thanks to the plumbed IceMaker
- Individually adjustable glass shelf lighting with FlexiLight 2.0
- No icing up of food and no need to defrost thanks to NoFrost
- Uniform temperature distribution inside the appliance – DynaCool

EAN: 4002516424925 / Material number: 11749900 / Old Material Number: 38779500USA

Appliance category	
Fridge-freezer	•
Design	
Built-in	•
Built-in integrated	•
Door hinge side	right
Convertible hinging	•
Design	
Type of lighting	FlexiLight 2.0
Freezer compartment lighting	LED
Fan lighting	•
Freshness system lighting	•
IceMaker lighting	•
User convenience	
Networking with Miele@home	•
Freshness system	PerfectFresh Active
Active humidification in top drawer	•
Fine adjustment inner door	•
ComfortClean	•
DynaCool	•
NoFrost	•
DuplexCool	•
ComfortSize	•
VarioRoom	•
SoftClose door closing damper	•
SelfClose	•
IceMaker with plumbed water connection	•
Control	
Electronic temperature display and control	FreshTouch
Fridge compartment can be switched off	Yes
Independent temperature control of fridge and freezer compartments	Yes
Super Cooling	•
SuperFrost	•
No. of temperature zones	3
Sabbath mode	•
Party mode	•
Holiday mode	•
Fridge/fridge zone	
No. of shelves	4
of which illuminated	2
No. of PerfectFresh drawers	2
Dry back wall	Clean Touch Steel
FlexiTray	•
Number of door racks for cans	1
Door rack for bottles	1
Door shelves	2
Freezer/freezer zone	
Number of freezer drawers	3
of which on runners	2

KFN 7795 D

PerfectCool fridge-freezer

PerfectFresh Active, DynaCool, and IceMaker for outstanding appearance.



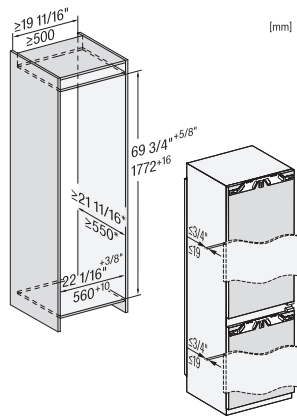
EAN: 4002516424925 / Material number: 11749900 / Old Material Number: 38779500USA

Efficiency and sustainability	
Energy Star Qualified	•
Safety	
Lock function	•
Acoustic door alarm	•
Acoustic temperature alarm, freezer section	•
Acoustic temperature alarm	•
Optical door alarm	•
Optical temperature alarm	•
Power cut indication for freezer compartment	•
Technical data	
Niche width in inches (mm), min.	22 1/8 (560)
Niche width in inches (mm), max.	22 1/2 (570)
Niche height in inches (mm), min.	69 7/8 (1772)
Niche height in inches (mm), max.	70 1/2 (1788)
Niche depth in in.(mm)	21 3/4 (550)
Appliance width in in.(mm)	22 1/8 (559)
Appliance height in in.(mm)	69 3/4 (1770)
Appliance depth in in.(mm)	21 1/2 (546)
Weight in lbs.(kg)	165 (74.4)
Type of mounting	Fixed door
Maximum fridge compartment door front weight in lbs. (kg)	40 (18)
Maximum freezer compartment door front weight in lbs. (kg)	27 (12)
Climatic classification	SN-T
including PerfectFresh zone in l	2.51 (71)
Total usable capacity in cu. ft. (l)	8.69 (246)
Storage time in case of fault in h	9
Current consumption in milliampere (mA)	3000
Voltage in V	115
Fuse rating in A	10
Number of phases	1
Frequency in Hz	60
Wire length in ft (m)	7 (2.2)
Replacing bulbs	Customer Service
Standard accessories	
Egg rack	•
PerfectFresh organization box	•

KFN 7795 D

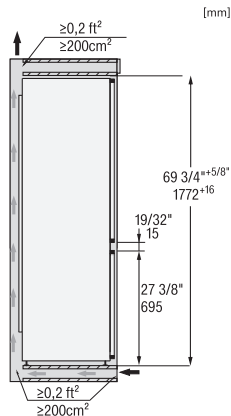
PerfectCool fridge-freezer

PerfectFresh Active, DynaCool, and IceMaker for outstanding appearance.

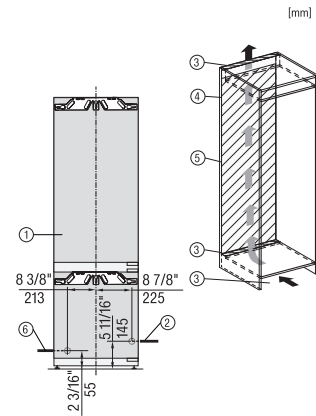


KFN7734D, KFN7734C, KFN7784D, KFN7795D, built-in (*footnote) (installation drawings) (US)

*The declared energy consumption was calculated in a 560 mm deep niche. The appliance is fully functional in a 550 mm niche but the energy consumption will be slightly higher.



KFN7734D, KFN7734C, KFN7784D, KFN7795D, side view (installation drawings) (US)



KFN7795D, installation (*footnote) (installation drawings) (US)

*1. View from the front, 2. Mains connection cable, L = 2100 mm, 3. Ventilation cut-out min. 200 cm², 4. Ventilation, 5. No connections permitted in this area, 6. Water connection L = 2000 mm