



Stainless Steel  
KFGG500ESS

**Also available in:**

- White **KFGG500EWH**
- Black **KFGG500EBL**
- Black Stainless Steel with PrintShield™ Finish **KFGG500EBS**

Capacity	
Oven	5.8 cu. ft.
General Features & Properties	
5 Burners	
EasyConvect™ Conversion System	
AquaLift®	
Storage Drawer	
Hidden Bake	
Electrical Details	
Amps	15
Volts	120

Technical Details	
Fuel Type	Gas
Range Type	Freestanding
Oven Cooking System	Convection
Number of Oven Racks	3
Cleaning Type	AquaLift® Self-Clean
Number of Burners	5
Burner Type	Sealed Burners
Burner Size/Power	(1) 18,000 BTU (1) 15,000 BTU (1) 9500 BTU (1) 8000 BTU (1) 5000 BTU

Dimensions	
Product Dimensions (H x W x D)	47-1/8" x 29-7/8" x 27-7/8"
Depth with Door Open 90°	47-7/8"

**Reference Material**

- [Dimension Guide](#)
- [Install Guide](#)
- [Use & Care Guide](#)
- [Warranty](#)

**Key Features & Benefits**

**Even-Heat™ True Convection**

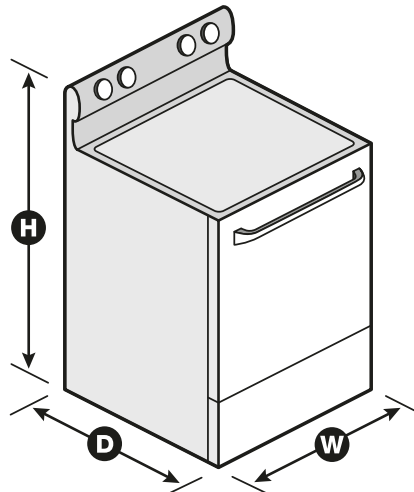
Produces flawless results. The unique bow-tie design and convection fan ensure the inside of the entire oven is heated to, and stays at, the perfect temperature.

**5.8 Cu. Ft. Oven Capacity**

Provides more room to cook large quantities or multiple dishes at once.

**Professionally-Inspired Design**

Combines a bold blend of professionally-inspired styling with sleek touches for the home. This range features Satin Textured Handles and the KitchenAid® Badge, a symbol of uncompromised quality.



NOTE: Dimensions are for planning purposes only. For complete details, see Installation Instructions packed with product. Specifications subject to change without notice.