

KitchenAid®

INSTALLATION INSTRUCTIONS

COMMERCIAL-STYLE GAS RANGES

30" (76.2 cm), 36" (91.4 cm), AND 48" (121.9 cm)

For residential use only

INSTRUCTIONS D'INSTALLATION

CUISINIÈRE À GAZ DE STYLE COMMERCIAL DE

30 PO (76,2 cm), 36 PO (91,4 cm) ET 48 PO (121,9 cm)

Pour utilisation résidentielle uniquement

INSTRUCCIONES DE INSTALACIÓN

ESTUFAS A GAS ESTILO COMERCIAL DE

30" (76,2 cm), 36" (91,4 cm) Y 48" (121,9 cm)

Solo para uso residencial

Table of Contents/Table des matières/Tabla de contenidos

RANGE SAFETY	2	SÉCURITÉ DE LA CUISINIÈRE	30	SEGURIDAD DE LA ESTUFA	60
INSTALLATION REQUIREMENTS	4	EXIGENCES D'INSTALLATION	32	REQUISITOS DE INSTALACIÓN	62
Tools and Parts.....	4	Outils et pièces.....	32	Herramientas y piezas.....	62
Location Requirements	5	Exigences d'emplacement.....	33	Requisitos de ubicación.....	63
Electrical Requirements	7	Spécifications électriques	35	Requisitos eléctricos	65
Gas Supply Requirements	7	Spécifications de l'alimentation en gaz ..	36	Requisitos del suministro de gas	65
INSTALLATION INSTRUCTIONS	9	INSTRUCTIONS D'INSTALLATION	38	INSTRUCCIONES DE INSTALACIÓN	67
Unpack the Range	9	Déballage de la cuisinière	38	Desembale la estufa.....	67
Remove Door	9	Retirer la porte.....	38	Quite la puerta.....	67
Install Anti-Tip Bracket.....	10	Installation de la bride antibasculement ..	39	Instalación del soporte antivuelco	68
Make Gas Connection	11	Raccordement au gaz.....	40	Conexión del suministro de gas	69
Verify Anti-Tip Bracket Location	12	Vérification de l'emplacement de la		Verificación de la ubicación del	
Install Griddle Tray.....	12	bride antibasculement.....	41	soporte antivuelco.....	70
Electronic Ignition System	12	Installer le plateau d'égouttement	41	Instale la bandeja de la plancha	70
Level Range.....	13	Système d'allumage électronique.....	41	Sistema de encendido electrónico	70
Install Kick Plate	13	Ajustement de l'aplomb de la cuisinière..	42	Nivelación de la estufa.....	71
Complete Installation	13	Installer la plinthe	42	Instale la placa de protección	71
GAS CONVERSIONS	14	Terminer l'installation.....	42	Instalación completa	71
Propane Gas Conversion.....	14	CONVERSIONS POUR CHANGEMENT		CONVERSIONES DE GAS	72
Natural Gas Conversion	22	DE GAZ	43	Conversión a gas propano.....	72
		Conversion pour l'alimentation au propane..	43	Conversión a gas natural	80
		Conversion au gaz naturel	51		

IMPORTANT:

Save for local electrical inspector's use.

Installer: Leave installation instructions with the homeowner.

Homeowner: Keep installation instructions for future reference.

IMPORTANT :

Conserver ces instructions à l'usage de l'inspecteur des installations électriques local.

Installateur : Remettre les instructions d'installation au propriétaire.

Propriétaire : Conserver les instructions d'installation pour référence ultérieure.

IMPORTANTE:

Guarde para tener a disposición del inspector de electricidad local.

Instalador: Déjele las instrucciones de instalación al propietario.

Propietario: Guarde las instrucciones de instalación para futuras consultas.

RANGE SAFETY

Your safety and the safety of others are very important.

We have provided many important safety messages in this manual and on your appliance. Always read and obey all safety messages.



This is the safety alert symbol.

This symbol alerts you to potential hazards that can kill or hurt you and others.

All safety messages will follow the safety alert symbol and either the word "DANGER" or "WARNING."

These words mean:

⚠ DANGER

You can be killed or seriously injured if you don't immediately follow instructions.

⚠ WARNING

You can be killed or seriously injured if you don't follow instructions.

All safety messages will tell you what the potential hazard is, tell you how to reduce the chance of injury, and tell you what can happen if the instructions are not followed.

WARNING: If the information in these instructions is not followed exactly, a fire or explosion may result causing property damage, personal injury or death.

- Do not store or use gasoline or other flammable vapors and liquids in the vicinity of this or any other appliance.
- **WHAT TO DO IF YOU SMELL GAS:**
 - Do not try to light any appliance.
 - Do not touch any electrical switch.
 - Do not use any phone in your building.
 - Immediately call your gas supplier from a neighbor's phone. Follow the gas supplier's instructions.
 - If you cannot reach your gas supplier, call the fire department.
- Installation and service must be performed by a qualified installer, service agency or the gas supplier.

WARNING: Gas leaks cannot always be detected by smell.

Gas suppliers recommend that you use a gas detector approved by UL or CSA.

For more information, contact your gas supplier.

If a gas leak is detected, follow the "What to do if you smell gas" instructions.

⚠ WARNING:

Never Operate the Top Surface Cooking Section of this Appliance Unattended

- Failure to follow this warning statement could result in fire, explosion, or burn hazard that could cause property damage, personal injury, or death.
- If a fire should occur, keep away from the appliance and immediately call your fire department.

DO NOT ATTEMPT TO EXTINGUISH AN OIL/GREASE FIRE WITH WATER.

IMPORTANT: Do not install a ventilation system that blows air downward toward this gas cooking appliance. This type of ventilation system may cause ignition and combustion problems with this gas cooking appliance resulting in personal injury or unintended operation.

In the State of Massachusetts, the following installation instructions apply:

- Installations and repairs must be performed by a qualified or licensed contractor, plumber, or gas fitter qualified or licensed by the State of Massachusetts.
- Acceptable Shut-off Devices: Gas Cocks and Ball Valves installed for use shall be listed.
- A flexible gas connector, when used, must not exceed 4 feet (121.9 cm).



⚠ WARNING

Tip Over Hazard

A child or adult can tip the range and be killed.

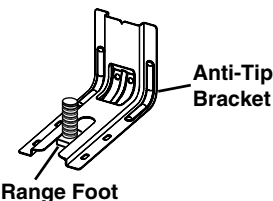
Install anti-tip bracket to floor or wall per installation instructions.

Slide range back so rear range foot is engaged in the slot of the anti-tip bracket.

Re-engage anti-tip bracket if range is moved.

Do not operate range without anti-tip bracket installed and engaged.

Failure to follow these instructions can result in death or serious burns to children and adults.



To verify the anti-tip bracket is installed and engaged:

- Slide range forward.
- Look for the anti-tip bracket securely attached to floor or wall.
- Slide range back so rear range foot is under anti-tip bracket.
- See installation instructions for details.

INSTALLATION REQUIREMENTS

Tools and Parts

Gather the required tools and parts before starting installation. Read and follow the instructions provided with any tools listed here.

Tools Needed



Pipe wrench



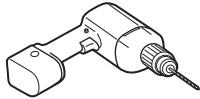
Adjustable wrench or
5/8" (16 mm) wrench



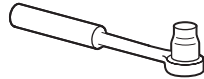
1/8" x 4 1/4" (3 mm x 100 mm)
flat-blade screwdriver



#2 Phillips screwdriver



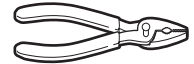
Drill



3/8" (9.5 mm) drive ratchet



15/16" (24 mm)
combination wrench



Pliers



Level



Tubing cutter



1/4" (6.4 mm), 3/8" (9.5 mm),
5/16" (7.9 mm) nut drivers



Marker or pencil



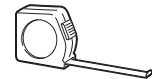
3/16" (4.8 mm) carbide tip
masonry bit



Pipe-joint compound
resistant to propane gas



Noncorrosive leak-detection
solution



Tape measure



1/8" (3.2 mm) drill bit

For Propane/Natural Gas Conversions



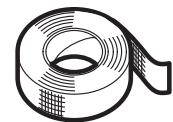
Large flat-blade screwdriver



Adjustable wrench



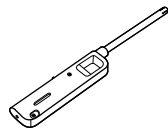
7 mm Nut Driver



Masking tape



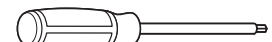
1/2" (1.3 cm) open end
wrench



Lighter



T20® Torx®† Driver



#1 Square Drive



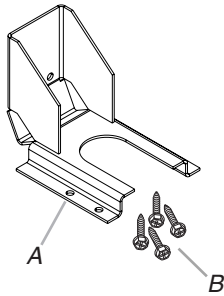
#2 Phillips Screwdriver

†TORX® and T20® are trademarks of Acument Intellectual Properties, LLC.

Parts Supplied

Check that all parts are included.

- Anti-tip bracket kit



A. Anti-tip bracket
B. #8-18 x 1" (2.5 cm) Phillips head screws (4)

NOTE: Anti-tip bracket must be securely mounted to subfloor. Thickness of flooring may require longer screws to anchor bracket to subfloor. Longer screws are available from your local hardware store. See the "Install Anti-Tip Bracket" section.

- Burner grates
- Burner caps
- Griddle drip tray (on griddle models)

Parts Needed

- All models must be installed with a backguard if installing at zero clearance to a combustible back wall surface such as drywall. See "Cabinet Dimensions" in the "Location Requirements" section for installation requirements.

Check local codes and consult gas supplier. Check existing gas supply and electrical supply. See the "Electrical Requirements" and "Gas Supply Requirements" sections.

It is recommended that all electrical connections be made by a licensed, qualified electrical installer.

Location Requirements

IMPORTANT: Observe all governing codes and ordinances. Do not obstruct flow of combustion and ventilation air.

- It is the installer's responsibility to comply with installation clearances specified on the model/serial/rating plate. The model/serial/rating plate is located under the console on the right-hand side.
- It is recommended that a 585 CFM (993.9 m³/hr) or larger range hood be installed above the range.
- Follow the range hood or microwave hood combination installation instructions for dimensional clearances above the cooktop surface.
- Recessed installations must provide complete enclosure of the sides and rear of the range.
- All openings in the wall or floor where range is to be installed must be sealed.
- Do not seal the range to the side cabinets.
- Cabinet opening dimensions that are shown must be used. Given dimensions are minimum clearances.
- The anti-tip bracket must be installed. To install the anti-tip bracket shipped with the range, see the "Install Anti-Tip Bracket" section.
- Grounded electrical supply is required. See the "Electrical Requirements" section.
- Proper gas supply connection must be available. See the "Gas Supply Requirements" section.
- Contact a qualified floor covering installer to check that the floor covering can withstand at least 200°F (93°C). Use an insulated pad or 1/4" (6.4 mm) plywood over carpet and under range if installing range over carpeting.

IMPORTANT: To avoid damage to your cabinets, check with your builder or cabinet supplier to make sure that the materials used will not discolor, delaminate, or sustain other damage. This oven has been designed in accordance with the requirements of UL and CSA International and complies with the maximum allowable wood cabinet temperatures of 194°F (90°C).

Mobile Home - Additional Installation Requirements

The installation of this range must conform to the Manufactured Home Construction and Safety Standard, Title 24 CFR, Part 3280 (formerly the Federal Standard for Mobile Home Construction and Safety, Title 24, HUD Part 280). When such standard is not applicable, use the Standard for Manufactured Home Installations, ANSI A225.1/NFPA 501A or local codes.

In Canada, the installation of this range must conform with the current standards CAN/CSA-A240-latest edition or with local codes.

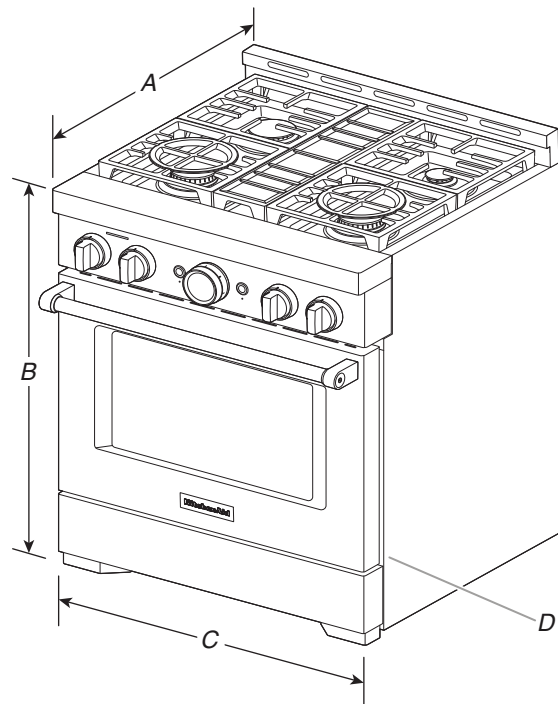
Mobile Home Installations Require:

- When this range is installed in a mobile home, it must be secured to the floor during transit. Any method of securing the range is adequate as long as it conforms to the standards listed above.
- The installation of appliances designed for recreational park trailers must conform with state or other codes or, in the absence of such codes, with the Standard for Recreational Park Trailers, ANSI A119.5.

Product Dimensions

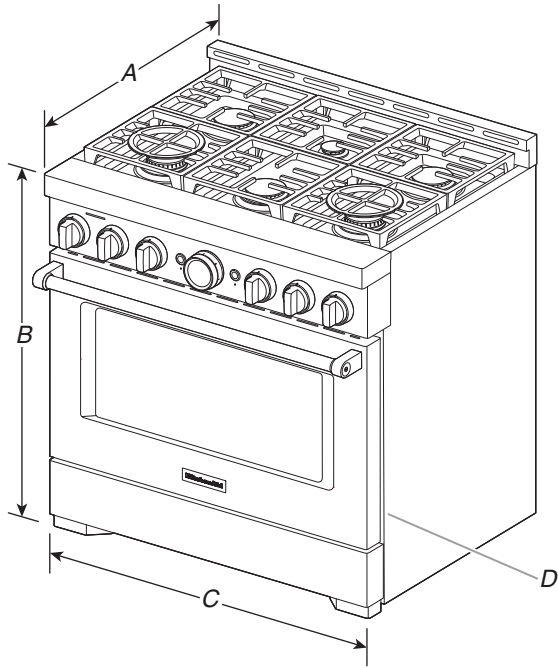
NOTE: Cooktop features may differ.

30" (76.2 cm) models



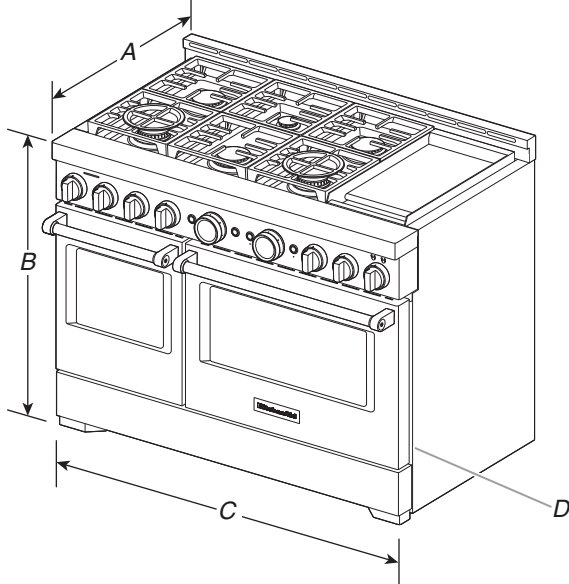
- A. 27³/₄" (70.5 cm) depth with control panel (See NOTE).
- B. 36" (91.4 cm) range height when sitting on the wheels.
- C. 29⁷/₈" (75.7 cm) width
- D. Model/serial/rating plate location/SAID label (located on front side panel).

36" (91.4 cm) models



- A. 27³/₄" (70.5 cm) depth with control panel (See NOTE).
- B. 36" (91.4 cm) range height when sitting on the wheels.
- C. 35⁷/₈" (91.1 cm) width
- D. Model/serial/rating plate location/SAID label (located on front side panel).

48" (121.9 cm) models



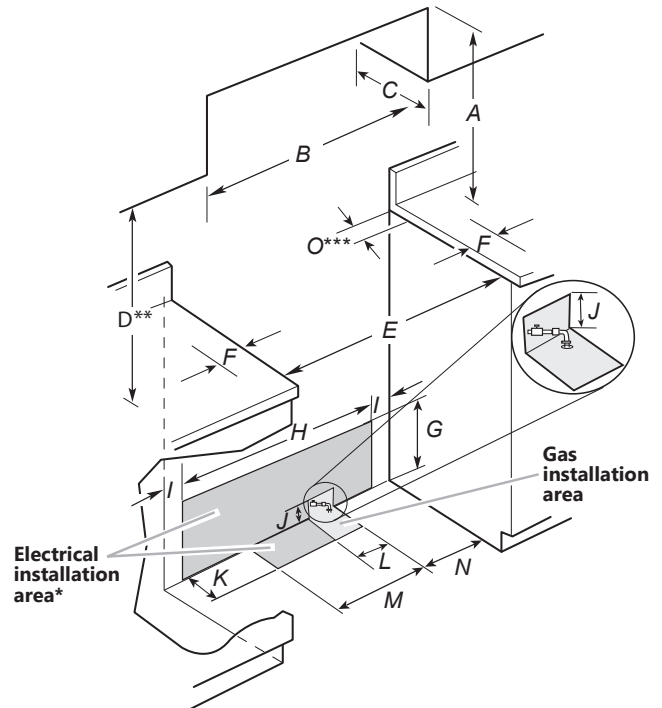
- A. 27³/₄" (70.5 cm) depth with control panel (See NOTE).
- B. 36" (91.4 cm) range height when sitting on the wheels.
- C. 47⁷/₈" (121.6 cm) width
- D. Model/serial/rating plate location/SAID label (located on front side panel).

NOTE: When installed in a 24" (61.0 cm) base cabinet with 25" (63.5 cm) countertop; front of oven door protrudes 3" (7.6 cm) beyond 24" (61.0 cm) base cabinet.

Cabinet Requirements

Cabinet opening dimensions shown are for 25" (64.0 cm) countertop depth, 24" (61.0 cm) base cabinet depth, and 36" (91.4 cm) countertop height. Dimensions must be met in order to ensure a flush fit to back wall.

IMPORTANT: If installing a range hood, hood liner, or microwave hood combination above the cooking surface, follow the range hood or microwave hood combination installation instructions for dimensional clearances above the cooking surface.



- A. For minimum clearance to top of range.**
- B. 30" (76.2 cm) model: 30" (76.2 cm) minimum upper cabinet width.
36" (91.4 cm) model: 36" (91.4 cm) minimum upper cabinet width.
48" (121.9 cm) model: 48" (121.9 cm) minimum upper cabinet width.
- C. 13" (33 cm) maximum upper cabinet depth
- D. 18" (45.7 cm) upper cabinet to countertop
- E. 30" (76.2 cm) on 30" (76.2 cm) models.
36" (91.4 cm) on 36" (91.4 cm) models.
48" (121.9 cm) on 48" (121.9 cm) models.
- F. 12" (30.4 cm) minimum clearance from both sides of range to side wall or other combustible material.
- G. 15" (38.1 cm)
- H. 22" (55.9 cm) on 30" (76.2 cm) models.
28" (71.1 cm) on 36" (91.4 cm) models.
40" (101.6 cm) on 48" (121.9 cm) models.
- I. 4" (10.1 cm)
- J. 3" (7.6 cm)
- K. 5" (12.7 cm)
- L. 3" (7.6 cm) on 30" (76.2 cm) models.
11" (27.9 cm) on 36" (91.4 cm) models.
21" (53.3 cm) on 48" (121.9 cm) models.
- M. 7¹/₂" (19.0 cm)
- N. 9" (22.9 cm)
- O. 6" (15.2 cm)***

** If not using ventilation, Minimum Clearances

30" (76.2 cm) models: 42" (106.7 cm) minimum clearance between the top of the cooking platform and the bottom of a combustible surface.

36" (91.4 cm) models: 42" (106.7 cm) minimum clearance between the top of the cooking platform and the bottom of a combustible surface.

48" (121.9 cm) models: 48" (121.9 cm) minimum clearance between the top of the cooking platform and the bottom of a combustible surface.

***If the surface of the back wall is constructed of a combustible material and a backguard is not installed, a 6" (15.2 cm) minimum clearance is required for all models.

Electrical Requirements

⚠ WARNING



Electrical Shock Hazard

- Plug into a grounded 3 prong outlet.
- Do not remove ground prong.
- Do not use an adapter.
- Do not use an extension cord.
- Failure to follow these instructions can result in death, fire, or electrical shock.

IMPORTANT: The range must be electrically grounded in accordance with local codes and ordinances or, in the absence of local codes, with the National Electrical Code, ANSI/NFPA 70 or Canadian Electrical Code, CSA C22.1.

If codes permit and a separate ground wire is used, it is recommended that a qualified electrical installer determine that the ground path is adequate.

A copy of the above code standards can be obtained from:

National Fire Protection Association
1 Batterymarch Park
Quincy, MA 02169-7471
CSA International
8501 East Pleasant Valley Road
Cleveland, Ohio 44131-5575

- A 120 V, 60 Hz AC only, 15 A, fused electrical circuit is required. A time-delay fuse or circuit breaker is also recommended. It is recommended that a separate circuit serving only this range be provided.
- Electronic ignition systems operate within wide voltage limits, but proper grounding and polarity are necessary. Check that the outlet provides 120 V power and is correctly grounded.
- The wiring diagram is located behind the kick plate in a clear plastic bag.

Gas Supply Requirements

⚠ WARNING



Explosion Hazard

- Use a new CSA International approved gas supply line.
- Install a shut-off valve.
- Securely tighten all gas connections.
- If connected to propane, have a qualified person make sure gas pressure does not exceed 14" (36 cm) water column.
- Examples of a qualified person include:
licensed heating personnel,
authorized gas company personnel, and
authorized service personnel.
- Failure to do so can result in death, explosion, or fire.

Observe all governing codes and ordinances.

IMPORTANT: This installation must conform with all local codes and ordinances. In the absence of local codes, installation must conform with American National Standard, National Fuel Gas Code ANSI Z223.1/NFPA 54 — latest edition — or in Canada, the Natural Gas and Propane Installation Code, CSA B149.1 — latest edition.

IMPORTANT: Range must be connected to a regulated gas supply.

IMPORTANT: Leak testing of the range must be conducted according to the manufacturer's instructions.

Type of Gas

Natural Gas:

This range is factory set for use with Natural gas. The model/serial/rating plate, located under the console on the right-hand side, has information on the types of gas that can be used. If the types of gas listed do not include the type of gas available, check with the local gas supplier.

Propane Gas conversion:

Conversion must be done by a qualified service technician. No attempt shall be made to convert the range from the gas specified on the model/serial/rating plate for use with a different gas without consulting the serving gas supplier. To convert to Propane gas, use the Propane gas conversion kit provided with your range and see the "Gas Conversions" section. The parts for this kit are in the package containing literature supplied with the range.

Gas Supply Line

- Provide a gas supply line of 3/4" (1.9 cm) rigid pipe to the range location. A smaller size pipe on longer runs may result in insufficient gas supply. With Propane gas, piping or tubing size can be 1/2" (1.3 cm) minimum. Usually, Propane gas suppliers determine the size and materials used in the system.

NOTE: Pipe-joint compounds that resist the action of Propane gas must be used. Do not use TEFLON^{®†} tape.

Flexible metal appliance connector:

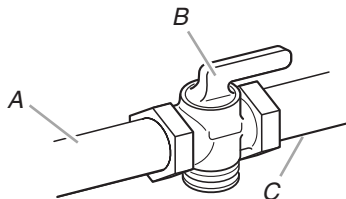
- If local codes permit, a new CSA design-certified, 4-5 ft (122-152 cm) long, 5/8" (1.6 cm) or 3/4" (1.9 cm) I.D., flexible metal appliance connector may be used for connecting the range to the gas supply line.



- A 1/2" (1.3 cm) male pipe thread is needed for connection to the female pipe threads of the inlet to the appliance pressure regulator.
- Do not kink or damage the flexible metal tubing when moving the range.

IMPORTANT: All connections must be wrench-tightened. Do not make connections to the gas regulator too tight. Making the connections too tight may crack the regulator and cause a gas leak. Do not allow the regulator to turn or move when tightening fittings.

- Must include a shut-off valve:
Install a manual gas line shut-off valve in an easily accessible location. Do not block access to shut-off valve. The valve is for turning on or shutting off gas to the range.



- A. Gas supply line
- B. Shut-off valve open position
- C. To range

Gas Pressure Regulator

The gas pressure regulator supplied with this range must be used. The inlet pressure to the regulator should be as follows for proper operation:

Natural Gas:

Minimum pressure: 5" (12.7 cm) WCP
Maximum pressure: 14" (35.6 cm) WCP

Propane Gas:

Minimum pressure: 10" (25.4 cm) WCP
Maximum pressure: 14" (35.6 cm) WCP

Contact local gas supplier if you are not sure about the inlet pressure.

Burner Input Rating – Altitude

Input ratings shown on the model/serial/rating plate are for elevations up to 2,000 ft (609.6 m).

For elevations above 2,000 ft (609.6 m), ratings need to be reduced at a rate of 4% for each 1,000 ft (304.8 m) above sea level (not applicable for Canada).

Gas Supply Pressure Testing

Gas supply pressure for testing regulator must be at least 1" (2.5 cm) water column pressure above the manifold pressure shown on the model/serial/rating plate.

Line pressure testing above 1/2 psi (3.5 kPa) gauge (14" [35.6 cm] WCP)

The range and its individual shut-off valve must be disconnected from the gas supply piping system during any pressure testing of that system at test pressures in excess of 1/2 psi (3.5 kPa).

Line pressure testing at 1/2 psi (3.5 kPa) gauge (14" [35.6 cm] WCP) or lower

The range must be isolated from the gas supply piping system by closing its individual manual shut-off valve during any pressure testing of the gas supply piping system at test pressures equal to or less than 1/2 psi (3.5 kPa).

†TEFLON[®] is a registered trademark of Chemours.

INSTALLATION INSTRUCTIONS

Unpack the Range

⚠ WARNING

Excessive Weight Hazard

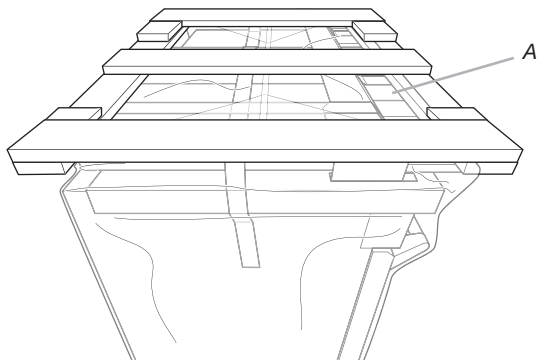
Use two or more people to move and install range.
Failure to do so can result in back or other injury.

Remove shipping materials, tape, and film from range. Keep shipping pallet under range. Remove oven racks, and parts package from inside oven. Remove grates from top of oven.

Remove Kick Plate

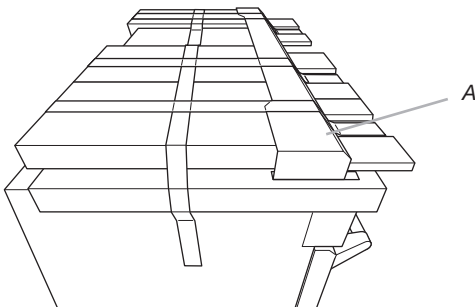
1. Your range will have the kick plate packaged on top of the unit.
 - a. Remove kick plate from top of range and grate pack.

In packaging



A. Kick plate

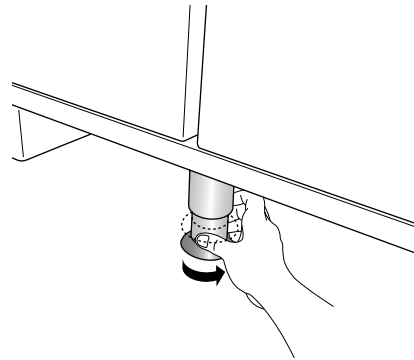
Packaging removed



A. Kick plate

- b. Lay kick plate to the side to avoid scratching.

2. For 48" (121.9 cm) models only, rotate center support counterclockwise off the pallet until it stops.



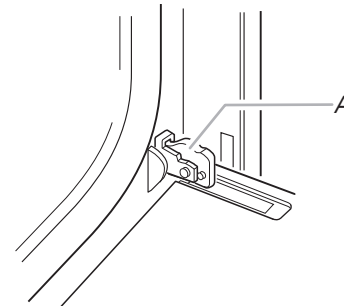
NOTE: This support is used only for shipping and is not needed for installation.

3. Lay a piece of cardboard from packaging on the floor behind range. Using two or more people, firmly grasp each side of range. Lift range up about 3" (8.0 cm) and move it back until range is off shipping pallet. Set range on cardboard to avoid damaging floor.

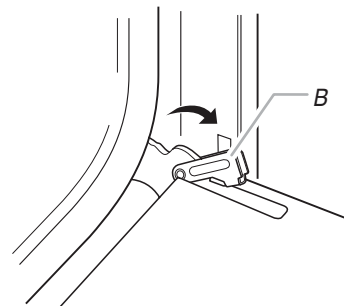
Remove Door

Door Removal

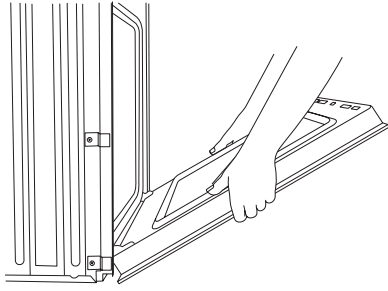
- Do not remove the side door spacers until the range is ready to install. Removing the door spacers could allow the door to shift, damaging the door latch.
- Do not lift or move the range by the door handle(s) or control panel.
- Prior to installing the range, you will need to remove the oven door(s). Prepare a surface where you will place the door(s). This surface should be flat and covered with a soft blanket, or use the corner posts from the packaging material.



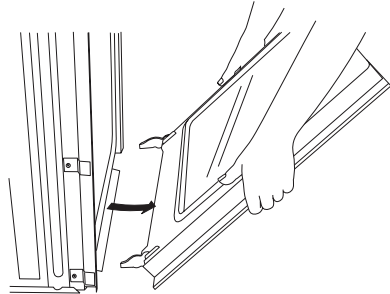
A. Oven door hinge in the locked position.



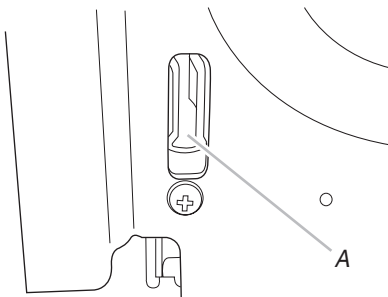
B. Oven door hinge in the unlocked position.



Partially close the door to engage the door latch locks. The door will stop at this point.



Use two hands to remove and replace the oven door(s). It may be necessary to gently shift door from side to side.



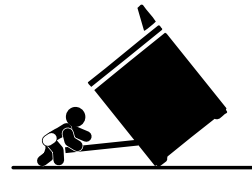
A. Slot in the oven frame for the door hinge lock.

Replace the Door

- To replace the oven door(s), locate the slots in the oven cavity for the hinge locks and repeat the steps above in reverse order. Make sure the door closes properly and there is no interference from the door latch. If necessary, remove the door and repeat the steps above. If power is connected to the range, open and close the door to make sure the oven light comes on and goes off appropriately.
- The range is equipped with leveling legs and rollers. Once the range is removed from the shipping pallet, make sure the leveling legs are not touching the floor and use the rollers to move the range into position. Always cover the flooring surface to avoid damage to the floor. Do not roll the range directly on the floor.

Install Anti-Tip Bracket

⚠ WARNING



Tip Over Hazard

A child or adult can tip the range and be killed.

Install anti-tip bracket to floor or wall per installation instructions.

Slide range back so rear range foot is engaged in the slot of the anti-tip bracket.

Re-engage anti-tip bracket if range is moved.

Do not operate range without anti-tip bracket installed and engaged.

Failure to follow these instructions can result in death or serious burns to children and adults.

1. Determine which mounting method to use: floor or wall. If you have a stone or masonry floor, you can use the wall mounting method.
2. Determine and mark centerline of the cutout space. The mounting bracket must be installed on the left side of the cutout. Position mounting bracket in cutout as shown in the following illustration.

Measurement B:

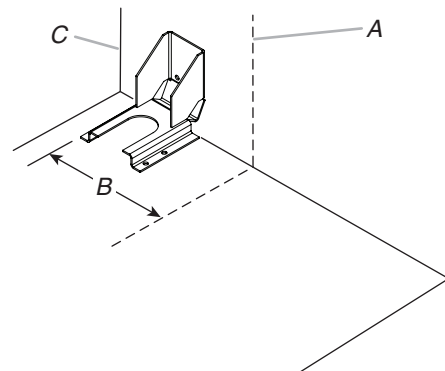
30" (76.2 cm) ranges: 13" (33.0 cm)

36" (91.4 cm) ranges: 16" (40.6 cm)

48" (121.9 cm) ranges: 22" (55.9 cm)

Measurement C:

Optional distance from back wall. If back wall is constructed of a combustible material and a backguard is not installed, a 6" (15.2 cm) minimum clearance is required for all models. Install anti-tip bracket accordingly.



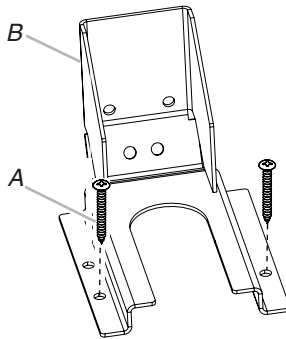
A. Centerline

B. Centerline of cutout to outside edge of anti-tip bracket.

C. Back wall to back of range

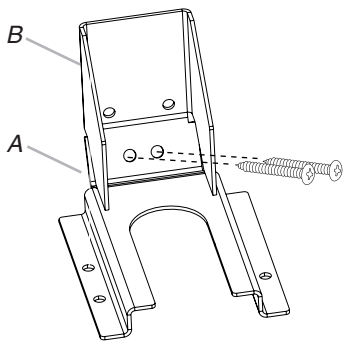
- Drill two 1/8" (3.0 mm) holes that correspond to the bracket holes of the determined mounting method. See the following illustrations.

Floor Mounting



A. #12 x 1 5/8" (4.1 cm) screws
B. Anti-tip bracket

Wall Mounting



A. #12 x 1 5/8" (4.1 cm) screws
B. Anti-tip bracket

- Using a Phillips screwdriver, mount anti-tip bracket to the wall or floor with the two #12 x 1 5/8" (4.1 cm) screws provided.
Depending on the thickness of your flooring, longer screws may be necessary to anchor the bracket to the subfloor. Longer screws are available from your local hardware store.
- Move range close enough to opening to allow for electrical connections to be made. Remove shipping base, cardboard, or hardboard from under range.
- Continue installing your range using the following installation instructions.

Make Gas Connection

⚠ WARNING



Explosion Hazard

Use a new CSA International approved gas supply line.
Install a shut-off valve.

Securely tighten all gas connections.

If connected to propane, have a qualified person make sure gas pressure does not exceed 14" (36 cm) water column.

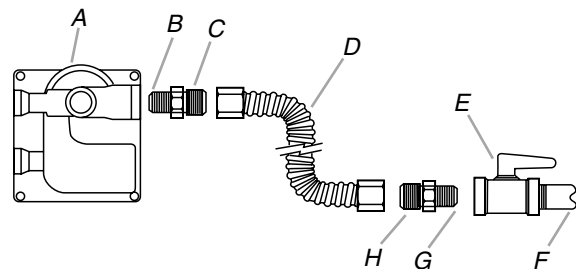
Examples of a qualified person include:

licensed heating personnel,
authorized gas company personnel, and
authorized service personnel.

Failure to do so can result in death, explosion, or fire.

- Assemble flexible connector from gas supply pipe to pressure regulator located in the middle rear of the range.
- Apply pipe-joint compound made for use with Propane gas to the smaller thread ends of the flexible connector adapters. (See B and G in the following illustration.)
- Attach one adapter to the gas pressure regulator and the other adapter to the gas shut-off valve. Tighten both adapters, being certain not to move or turn the gas pressure regulator.
- Use a 15/16" (2.4 cm) combination wrench and an adjustable wrench to attach the flexible gas supply to the adapters. Check that connector is not kinked.

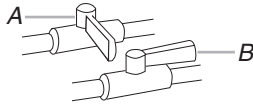
IMPORTANT: All connections must be wrench-tightened. Do not make connections to the gas regulator too tight. Making the connections too tight may crack the regulator and cause a gas leak. Do not allow the regulator to turn or move when tightening fittings.



- | | |
|--|---|
| A. Gas pressure regulator | E. Manual gas shut-off valve |
| B. Use pipe-joint compound. | F. 1/2" (1.3 cm) or 3/4" (1.9 cm) gas pipe. |
| C. Adapter (must have 1/2" [1.3 cm] male pipe thread). | G. Use pipe-joint compound. |
| D. Flexible connector | H. Adapter |

Complete Connection

1. Open the manual shut-off valve in the gas supply line. The valve is open when the handle is parallel to the gas pipe.



A. Closed valve
B. Open valve

2. Test all connections by brushing on an approved noncorrosive leak-detection solution. If bubbles appear, a leak is indicated. Correct any leak found.
3. Remove range burner caps, and grates from parts package. Place burner caps on burner bases. Place grates over burners and caps.

⚠ WARNING



Electrical Shock Hazard

Plug into a grounded 3 prong outlet.

Do not remove ground prong.

Do not use an adapter.

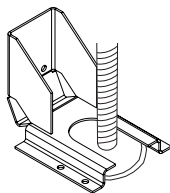
Do not use an extension cord.

Failure to follow these instructions can result in death, fire, or electrical shock.

4. Plug into a grounded 3-prong outlet.
5. Turn on power supply. For further information, please refer to the user instructions located in the Use and Care Guide.

Verify Anti-Tip Bracket Location

1. Using a 5/16" (7.9 mm) socket or wrench, turn all four leveling rods one full turn to raise the range and provide enough clearance for the rear leveling leg to slide into the anti-tip bracket.



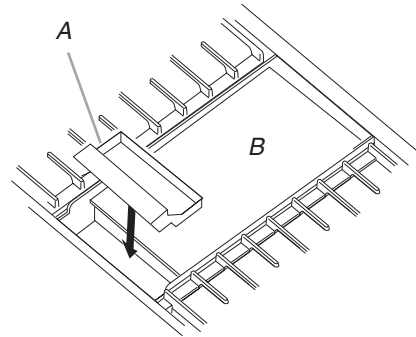
2. Move range into its final location, making sure rear leveling leg slides into anti-tip bracket.
3. Use a flashlight to look underneath the bottom of the range and visually check that the rear range foot is inserted into the slot of the anti-tip bracket.

Install Griddle Tray

(On griddle models)

The griddle is factory installed.

1. Place drip tray in the well at the front of the griddle. Slide tray toward the back until it stops.



A. Griddle drip tray
B. Griddle

2. Clean griddle before using. Refer to the Use and Care Guide.

Electronic Ignition System

Install Burner Caps

Place burner caps on top of burner. If burner caps are not properly positioned, surface burners will not light.

Burners

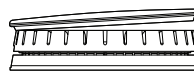


A

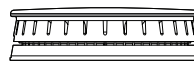


B

A. Incorrect
B. Correct



A



B

Initial Lighting and Gas Flame Adjustments

Range burners use electronic igniters in place of standing pilots. When the Range Control Knob is turned to any position, the system creates a spark to light the burner. This sparking continues until the flame is lit or the knob is turned to OFF.

NOTE: The first time igniting the burners will take longer. This allows the gas to reach the burners during the first use.

Check Operation of Range Burners

Push in and turn each Control Knob to .

NOTE: You will hear a clicking sound while the line clears.

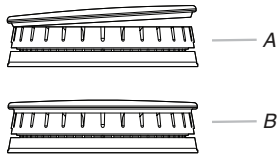
The surface burners and grill flames should light within 4 seconds. The first time a burner is lit, it may take longer than 4 seconds to light because of air in the gas line.

After verifying the proper burner operation, turn the Control Knobs to OFF.

If burners do not light properly:

- Turn Range Control Knob to OFF.
- Check that the range is plugged in and the circuit breaker has not tripped or the fuse has not blown.

- Check that the gas shut-off valves are set to the open position.
- Check that burner caps are properly positioned on burner bases.



A. Incorrect
B. Correct

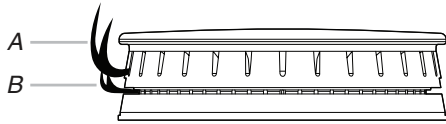
Repeat startup. If a burner does not light at this point, contact your dealer or authorized service company for assistance.

Flame Height

The range flame should be a steady blue flame.

NOTE: Flame heights are factory set. If they don't appear correct, please contact your service provider.

Burner



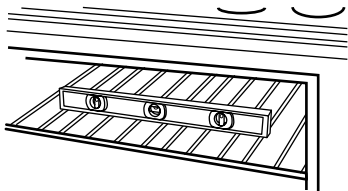
A. Upper (main) flame
B. Lower (simmer) flame

NOTE: Dual Stacked burner shown.

Level Range

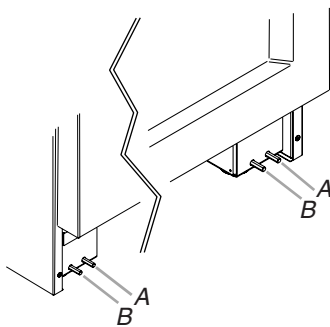
NOTE: Range must be level for satisfactory baking performance.

1. Place rack in oven.
2. Place level on rack and check levelness of the range, first side to side, then front to back.



3. If range is not level, adjust the leveling rods. Using a wrench, turn leveling rods located behind the kick plate to level range and to raise or lower range to the desired countertop height.

NOTE: All roller feet must be off the floor upon final installation.



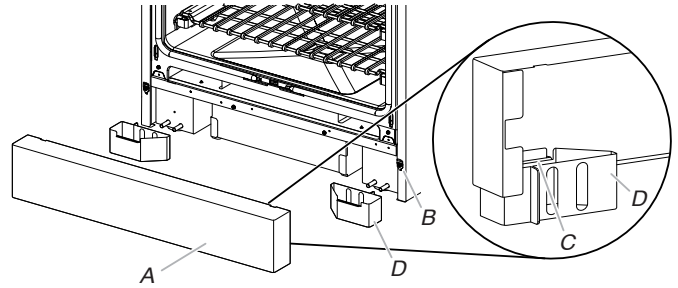
A. Rear leveling rod
B. Front leveling rod

NOTE: Turning clockwise raises the unit, whereas turning counterclockwise lowers the unit.

Install Kick Plate

NOTE: Door must be removed in order to remove or replace kick plate. Refer to the "Remove Door" section.

Align kick plate over the kick plate slots and push kick plate down.



A. Kick plate
B. Kick plate tab
C. Kick plate slot
D. Feet

Complete Installation

1. Check that all parts are now installed. If there is an extra part, go back through the steps to see which step was skipped.
2. Check that you have all of your tools.
3. Dispose of/recycle all packaging materials.
4. For oven use and cleaning, read the Use and Care Guide.

Check Operation of Oven(s)

1. Turn power on.
2. Start a Bake cycle. See the Use and Care Guide for operating instructions.

If oven(s) does not operate, check the following:

 - Household fuse is intact and tight or circuit breaker has not tripped.
 - Electrical supply is connected.
 - See the "Troubleshooting" section in the Use and Care Guide.
3. When oven has been on for 10–15 minutes, open the oven door and feel for heat.

If you do not feel heat, turn off the oven and contact a qualified technician.

If you need Assistance or Service:

Please reference the "Assistance or Service" section of the Use and Care Guide or contact the dealer from whom you purchased your range.

GAS CONVERSIONS

IMPORTANT: Gas conversions from Natural gas to Propane gas must be done by a qualified installer.

⚠ WARNING



Explosion Hazard

Use a new CSA International approved gas supply line.

Install a shut-off valve.

Securely tighten all gas connections.

If connected to propane, have a qualified person make sure gas pressure does not exceed 14" (36 cm) water column.

Examples of a qualified person include: licensed heating personnel, authorized gas company personnel, and authorized service personnel.

Failure to do so can result in death, explosion, or fire.

Propane Gas Conversion

⚠ WARNING



Tip Over Hazard

A child or adult can tip the range and be killed.

Install anti-tip bracket to floor or wall per installation instructions.

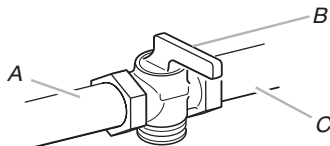
Slide range back so rear range foot is engaged in the slot of the anti-tip bracket.

Re-engage anti-tip bracket if range is moved.

Do not operate range without anti-tip bracket installed and engaged.

Failure to follow these instructions can result in death or serious burns to children and adults.

1. Turn the manual shut-off valve to the closed position.



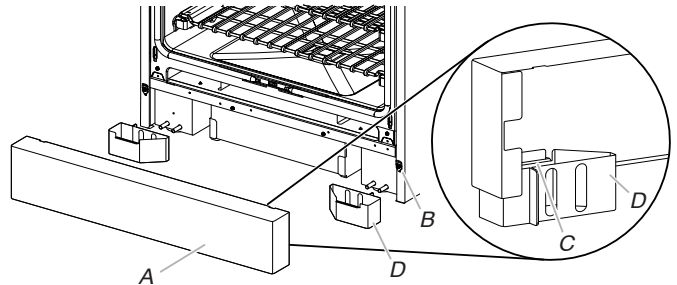
- A. To range
- B. Shut-off valve (closed position)
- C. Gas supply line

2. Unplug range or disconnect power.

To Convert Gas Pressure Regulator from Natural Gas to Propane

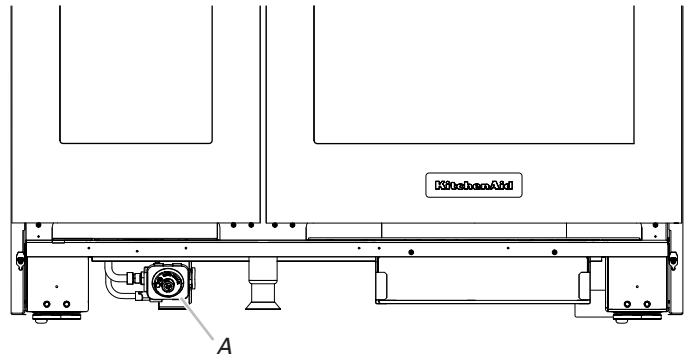
NOTE: Door must be removed in order to remove or replace kick plate. Refer to the "Remove Door" section.

1. Lift the kick plate up and off of the kick plate tab.



- A. Kick plate
- B. Kick plate tab
- C. Kick plate slot
- D. Feet

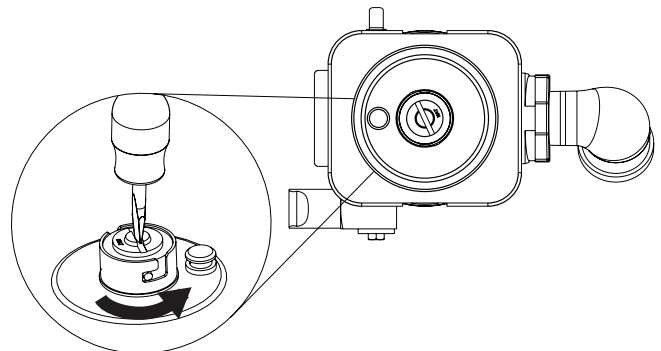
2. Gently lay kick plate aside to avoid scratching.
3. Locate the gas pressure regulator at the left rear of the range.



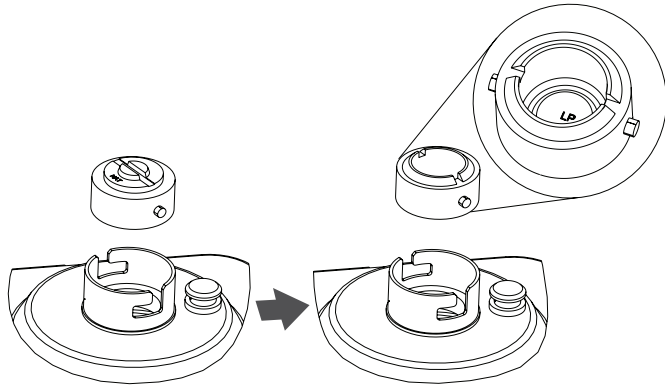
- A. Gas pressure regulator

4. Remove the gas pressure regulator cap by using a large flat-blade screwdriver, turning the regulator cap counterclockwise.

NOTE: Do not remove the spring beneath the cap.



- Turn over the gas pressure regulator cap, and reinstall on the regulator so that the hollow end faces out and the letters "LP" are visible.



- Tighten the gas pressure regulator cap by using a large flat-blade screwdriver, turning the regulator cap clockwise.
- Test the gas pressure regulator and gas supply line. The regulator must be checked at a minimum 1" (2.5 cm) water column above the set pressure. The inlet pressure to the regulator should be as follows for operation and checking the regulator setting:

Propane Gas:

Minimum pressure: 10" (25.4 cm) WCP
Maximum pressure: 14" (35.6 cm) WCP

Gas Supply Pressure Testing

Gas supply pressure for testing regulator must be at least 1" (2.5 cm) water column pressure above the manifold pressure shown on the model/serial/rating plate.

Line pressure testing above 1/2 psi (3.5 kPa) gauge (14" [35.6 cm] WCP)

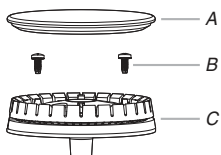
The range and its individual shut-off valve must be disconnected from the gas supply piping system during any pressure testing of that system at test pressures in excess of 1/2 psi (3.5 kPa).

Line pressure testing at 1/2 psi (3.5 kPa) gauge (14" [35.6 cm] WCP) or lower

The range must be isolated from the gas supply piping system by closing its individual manual shut-off valve during any pressure testing of the gas supply piping system at test pressures equal to or less than 1/2 psi (3.5 kPa).

To Convert Surface Burners from Natural Gas to Propane

- If the burner grates are installed, remove them.
- Remove burner cap.
- Remove the burner base by first removing (2) T-20 screws.



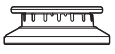

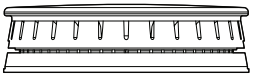
Burner

- A. Burner cap
- B. Screws
- C. Burner base

- Apply masking tape to the end of a 7 mm nut driver to help hold the gas orifice spud in the nut driver while changing it. Insert nut driver into the gas opening and press down onto the gas orifice spud and remove by turning the gas orifice spud counterclockwise and lifting out. Set gas orifice spud aside.

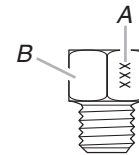
- Replace with correct Propane gas orifice spud. See the "Propane Gas Orifice Spud/Hood Chart". Use the following chart to find the exact orifice spud placement.

Propane Gas Orifice Spud/Hood Chart

Burner Rating	Stamp	Size	Burner Style
4,000 BTUs	63	0.63 mm	Small burner 
12,000 BTUs	103	1.03 mm	Medium burner 
13,000 BTUs	99 50	0.99 mm 0.50 mm	Large burner – main Larger burner – simmer 

NOTE: Refer to serial tag for more information on burner ratings and locations.

Burner orifice spud

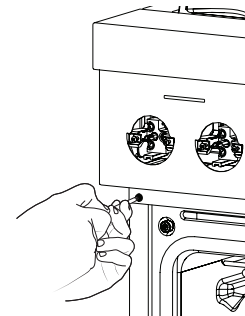


- A. Size stamp
- B. Fuel type stamp (L or N)

- Place Natural gas orifice in plastic parts bag for future use and keep with package containing literature.
- NOTE:** There may be extra orifices in your kit.
- Replace the burner base and screws. Tighten screws only until burner is snug to cooktop, do not over-tighten.
- Replace burner cap.
- Repeat steps 2 through 8 for the remaining burners.

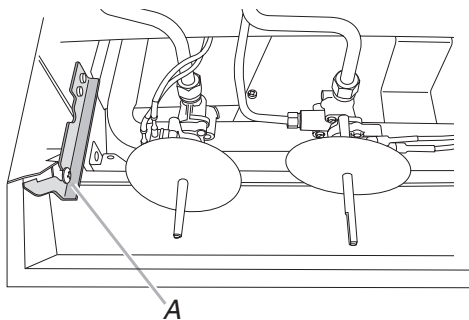
Adjusting Simmer Low Setting on Surface Burners for Propane

- Unplug range or disconnect power.
- Using the square bit screwdriver, remove the surface burner control knobs and bezels (Oven control knobs and griddle control knobs do not have to be removed).
- Open the oven door and remove the two screws on each side of the range that hold the control console in place.



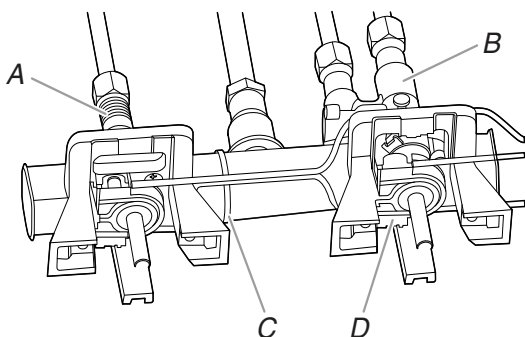
NOTE: Make sure to leave the door open or the control console will not rest in the side brackets properly once it is attached.

4. Pull up on the control console and let it drop forward into the notched console brackets on each side.

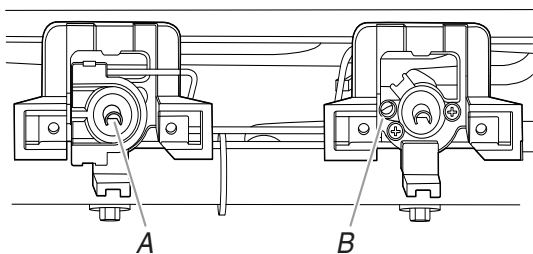


A. Control console bracket

5. Locate the appropriate low-turndown screw for the appropriate burner on the given valve. The low-turndown screw for the left rear, right rear, center rear, and center front burner valves (aluminum) is located through the center of the valve stem. The low-turndown screw for the left front and right front burner valves (brass) is located behind the ignition switch on the valve body, left of the stem. To remove the ignition switch cut the wire tie and pull the switch off the valve stem.



- A. Aluminum Valve for Left Rear, Right Rear, Center Rear, and Center Front burners.
- B. Brass Valve for Left Front and Right Front Dual burners.
- C. Wire Tie
- D. Ignition switch



- A. Low-turndown adjustment screw for Aluminum Valve through center of stem.
- B. Low-turndown adjustment screw for Brass Valve.

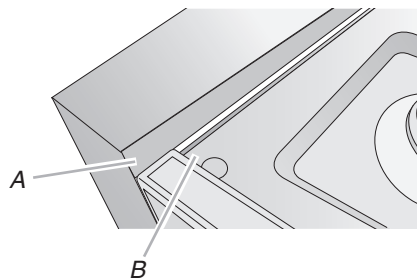
6. With the burner ON (the burner will have to be lit manually with a lighter), and set to simmer LOW, adjust the simmer flame down to the proper BTU level. Using a 1/8" x 4 1/4" (3.2 mm x 10.8 cm) flat blade screwdriver, turn the simmer low-turndown adjustment screw clockwise until the flame height is at, or below, the bottom of the cap. If the flame becomes unstable and flickers or appears to race around the burner, the adjustment is too low and the screw should be adjusted counterclockwise until the flame is stable. Repeat this step for all surface burners.

NOTE: Use a knob to adjust the burner valve.

NOTE: Adjust each burner individually.

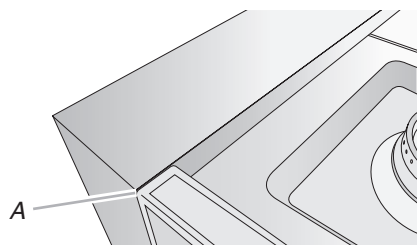
7. After adjustments are completed, replace the ignition switches onto the valves.
8. Lift up on the control console and set it back into place. For a proper fit, the flange of the control console must hook over the lip on the front of the range cooktop.

NOTE: It may be necessary to lift valve stems to align with console holes.



A. Control console flange
B. Front lip of range cooktop

9. Check that the control console is flush with the top edge of the range.

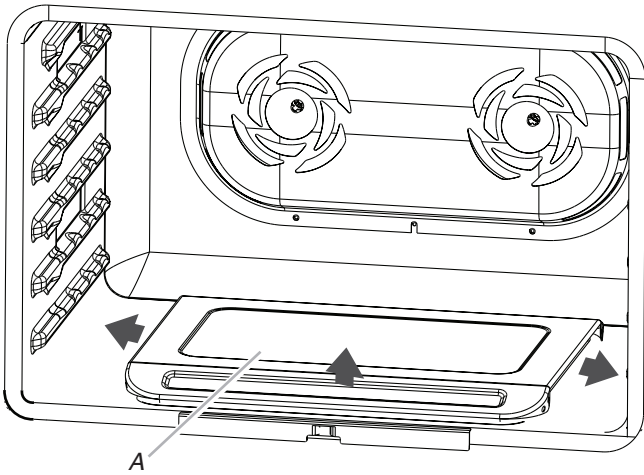


A. Flush with range top

10. Replace the screws on each side of the control console.
11. Replace the bezels using the two screws which attach to the valve brackets, making note that there are front and rear bezels and will only attach properly in the correct location on the console.
12. Push the Surface Knobs onto the valve stems.
13. Replace the burner grates.

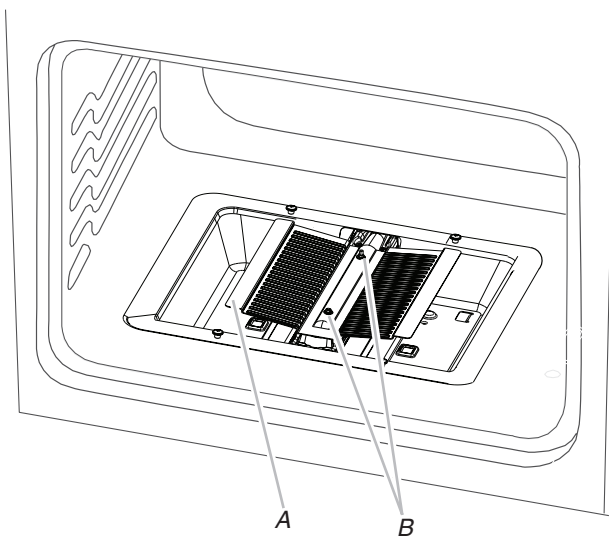
Convert Oven Bake Burner (30" [76.2 cm] and 36" [91.4 cm] models and the right oven cavity on 48" [121.9 cm] models)

1. Slide the bake burner cover to the right or left.



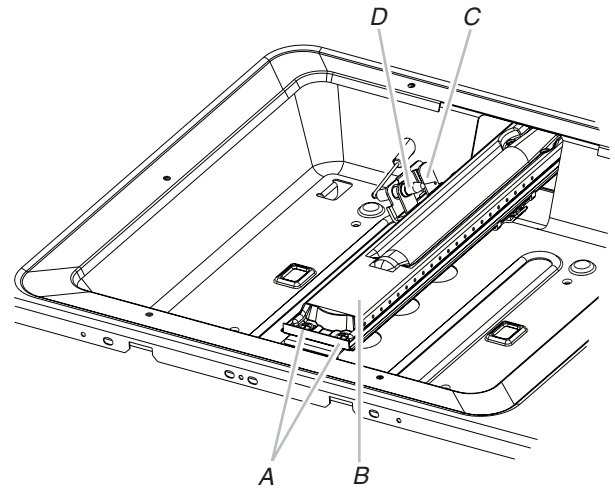
A. Bake burner cover

2. Lift up and remove oven bake burner cover, and set aside.
3. Using a 1/4" (6.4 mm) nut driver, unscrew oven baffle nuts and remove oven baffle. Set aside.



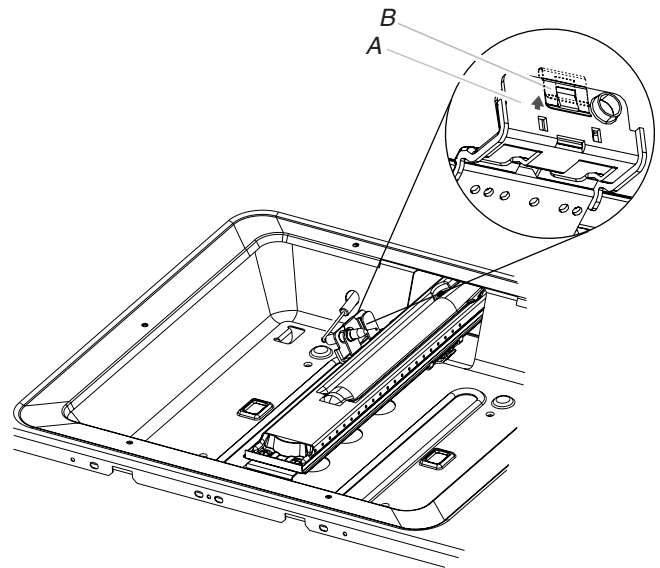
A. Oven baffle
B. Oven baffle nuts

4. Remove the oven bake burner screws and oven bake burner. Rotate burner 90° to the left, and gently lay on its side.



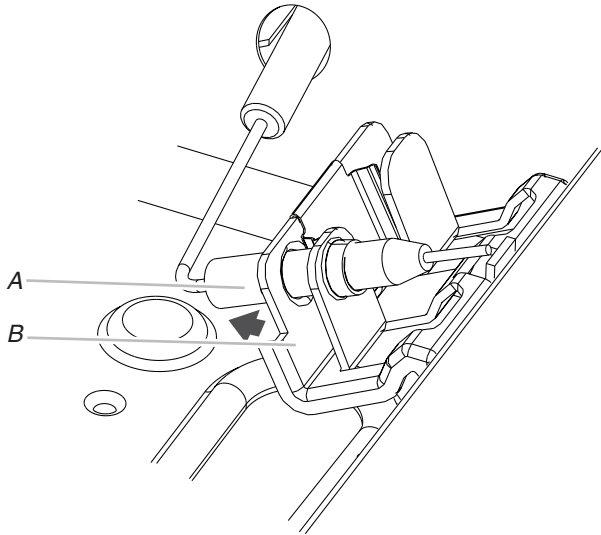
A. Oven bake burner screws
B. Oven bake burner
C. Oven bake burner electrode bracket
D. Oven bake burner electrode

5. Lift up clip on the oven bake burner electrode bracket with a finger or flat-blade screwdriver, and pull away the electrode.

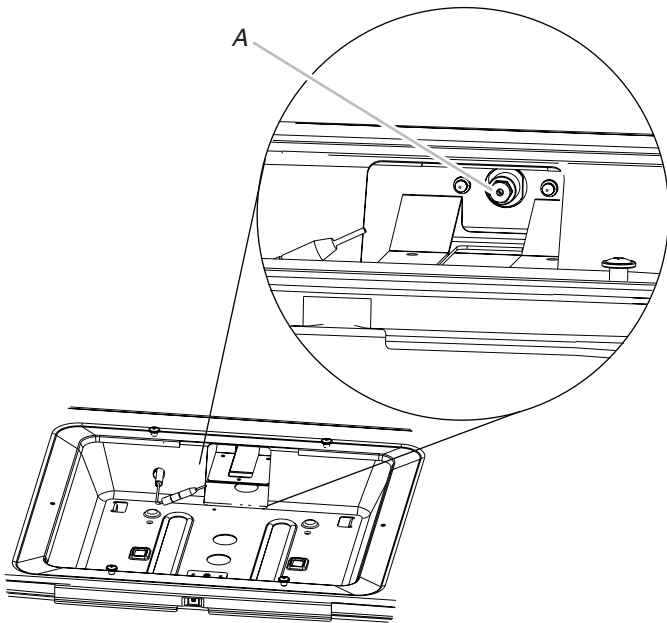


A. Oven bake burner electrode bracket
B. Electrode bracket clip

6. Pull electrode out of bracket.



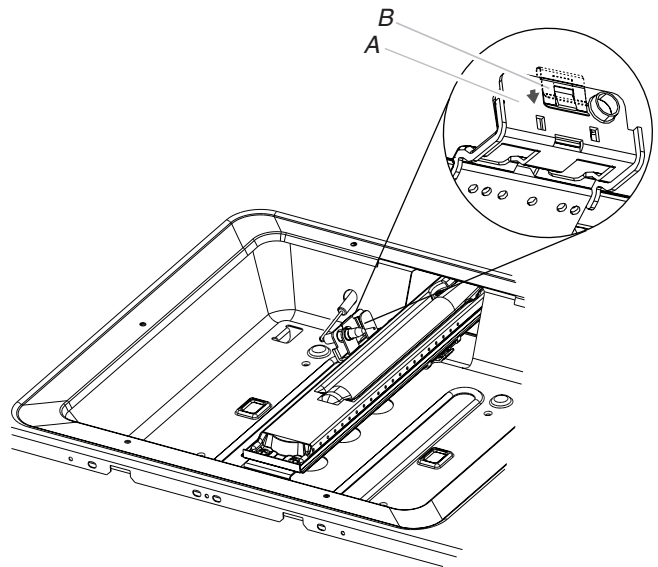
7. Apply masking tape to the end of a 1/4" (6.4 mm) nut driver to help hold the gas orifice spud in the nut driver while changing it. Insert nut driver into the gas opening, and press down onto the gas orifice spud, then remove by turning the gas orifice spud counterclockwise and lifting out. Set gas orifice spud aside.



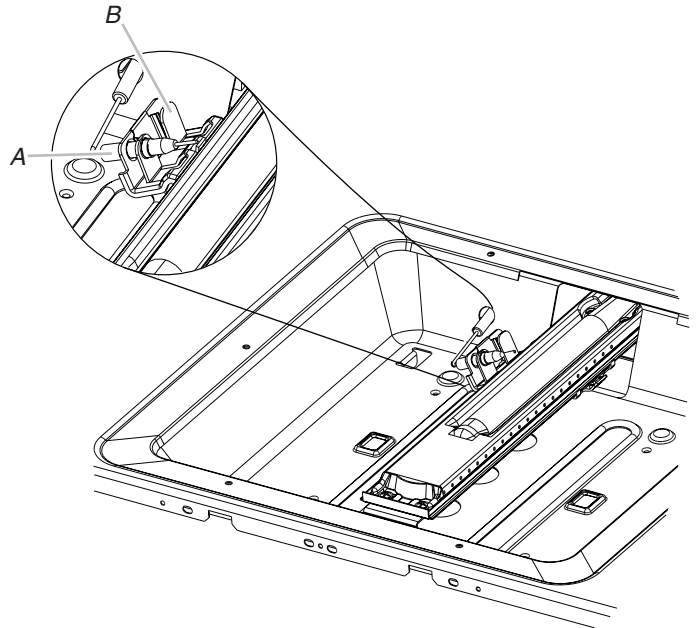
8. Propane gas orifice spuds are stamped with a letter and a number. Install the Number 125 oven bake burner orifice spud.

9. Place Natural gas orifice in plastic parts bag for future use, and keep with package containing literature.

10. Push down on the clip on the electrode bracket.



11. Replace oven bake burner electrode inside bracket.

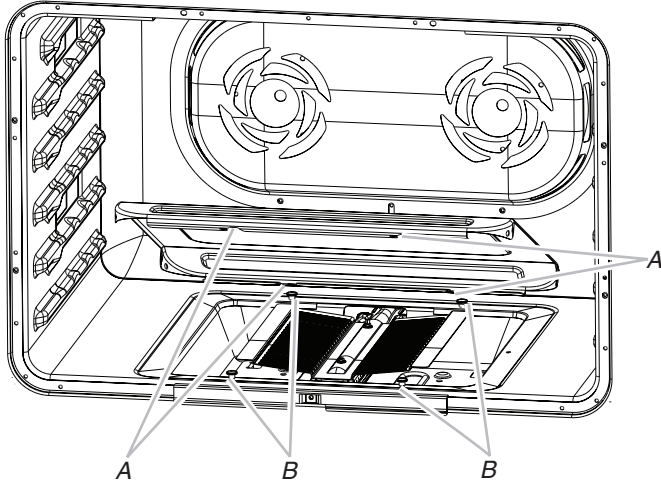


12. Reinstall the oven bake burner and oven bake burner screws. See step 4 for illustration.

13. Replace oven baffle and oven baffle nuts. The front holes will be aligned, and a click will sound when baffle is seated.

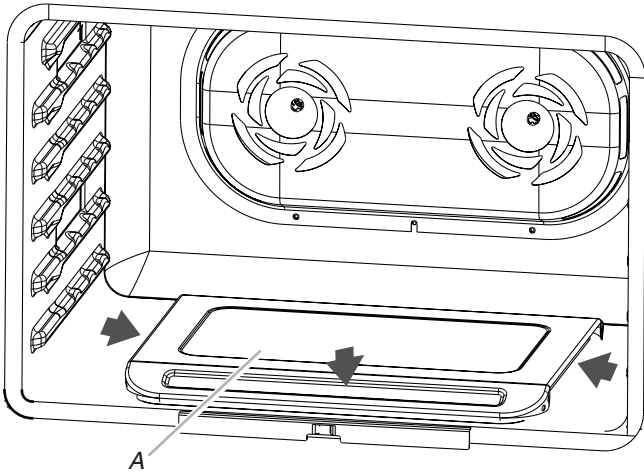
Replace Oven Bake Burner Cover

1. Align notches on the oven bake burner cover with shoulder screws in the bottom of the oven.



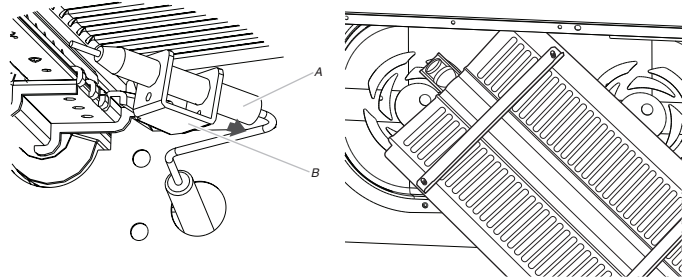
A. Cover notches (4)
B. Shoulder screws (4)

2. Lower cover, and slide to left or right to slide shoulder screws into the narrow ends of the notches, then lock into place.



A. Bake burner cover

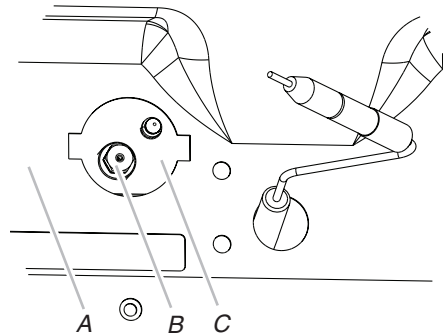
2. Pull the broil burner toward you until it slides out of the hole in the oven back, and pull the electrode out of the bracket. The broil burner will hang down in the back of the oven while you change the orifice.



A. Grasp electrode here
B. Bracket

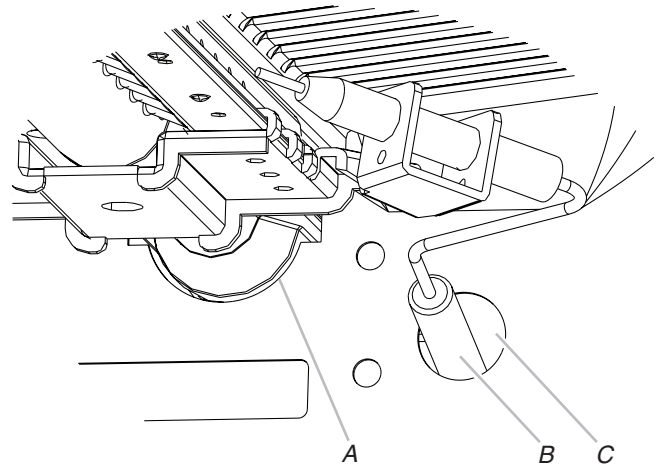
Broil burner hanging
in back of oven

3. Apply masking tape to the end of a 1/4" (6.4 mm) nut driver to help hold the gas orifice spud in the nut driver while changing it. Insert nut driver into the gas opening, and press down onto the gas orifice spud, then remove by turning the gas orifice spud counterclockwise and lifting out. Set gas orifice spud aside.



A. Oven back
B. Broil burner orifice
C. Broil burner orifice hole

4. Propane gas orifice spuds are stamped with a letter and a number. Install the Number 90 oven broil burner orifice spud.
5. Place Natural gas orifice in plastic parts bag for future use, and keep with package containing literature.
6. Replace the broil burner in the hole in the oven back with the broil burner assembly inside the broil burner electrode hole as illustrated.

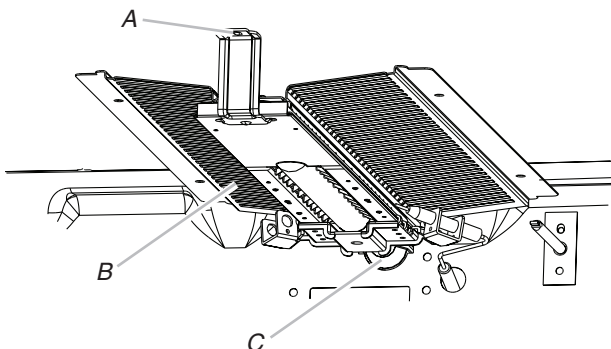


A. Broil burner orifice hole
B. Broil burner electrode
C. Broil burner electrode hole

7. Reinstall the oven broil burner screw. See step 1 for illustration. The screw is aligned with the hole when a click sounds.

Convert Oven Broil Burner (30" [76.2 cm] and 36" [91.4 cm] models and the right oven cavity on 48" [121.9 cm] models)

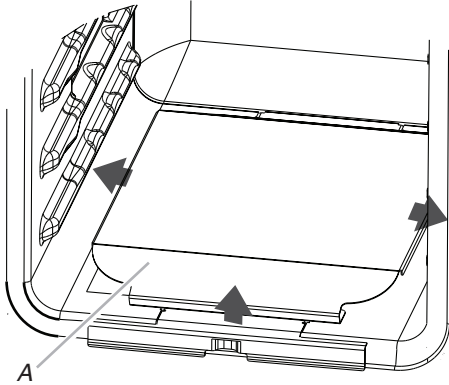
1. Using a 1/4" (6.4 mm) nut driver, remove broil burner screw. Set aside with side igniter positioned on the right.



A. Broil burner screw
B. Broil burner
C. Broil burner orifice hole

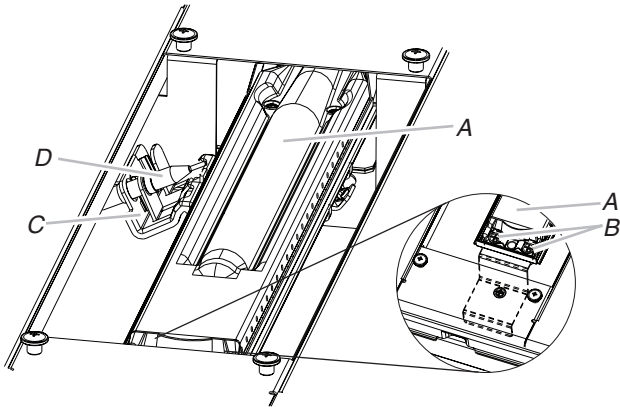
Convert Oven Bake Burner (left oven cavity on 48" [121.9 cm] models)

1. Remove oven racks. See the "Remove Racks" section.
2. Remove the oven door. See the "Remove Oven Door" section.
3. Slide the bake burner cover to the right or left.



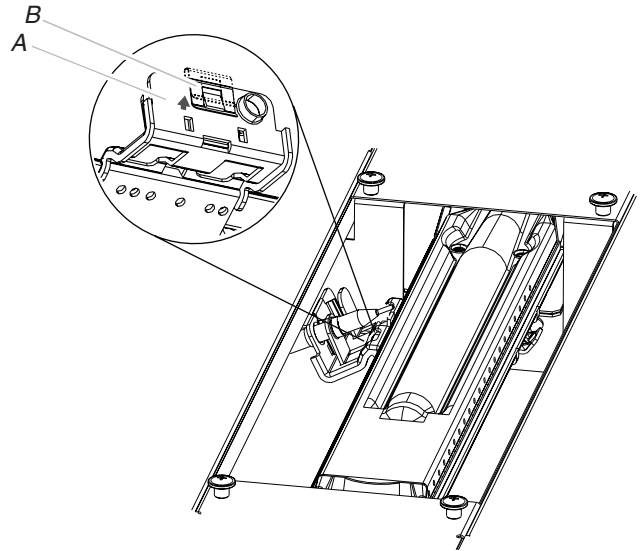
A. Bake burner cover

4. Lift up and remove oven bake burner cover, and set aside.
5. Remove the oven bake burner screws and oven bake burner, and gently set aside.



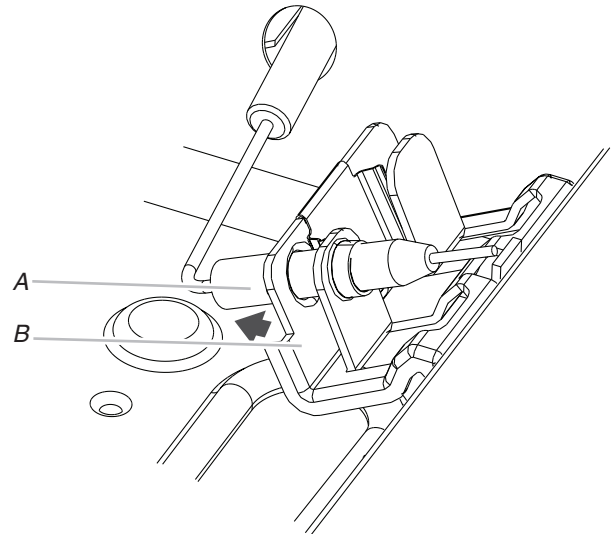
A. Oven bake burner
B. Oven bake burner screws
C. Oven bake burner electrode bracket
D. Oven bake burner electrode

6. Lift clip up on the oven bake burner electrode bracket with a finger or flat-blade screwdriver.



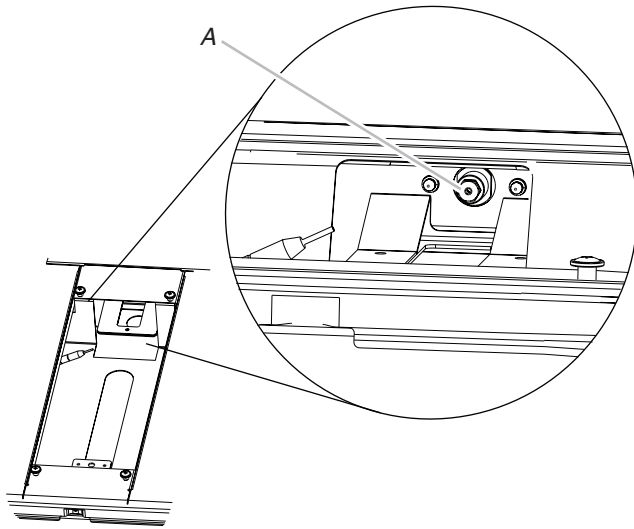
A. Oven bake burner electrode bracket
B. Electrode bracket clip

7. Pull electrode out of bracket.



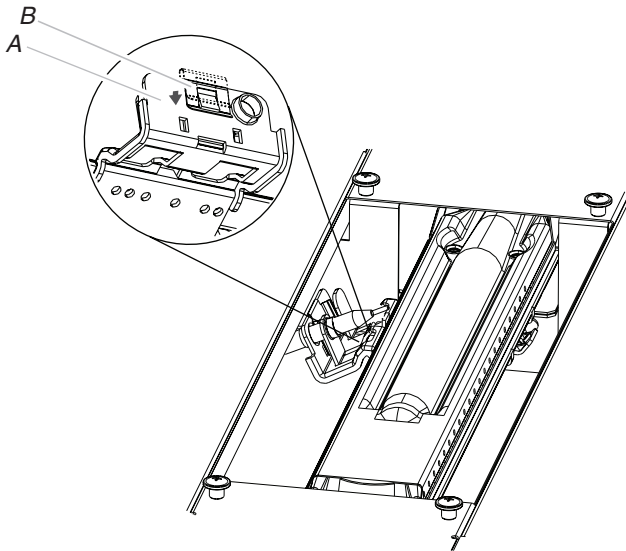
A. Grasp electrode here
B. Bracket

- Apply masking tape to the end of a 1/4" (6.4 mm) nut driver to help hold the gas orifice spud in the nut driver while changing it. Insert nut driver into the gas opening, and press down onto the gas orifice spud, then remove by turning the gas orifice spud counterclockwise and lifting out. Set gas orifice spud aside.



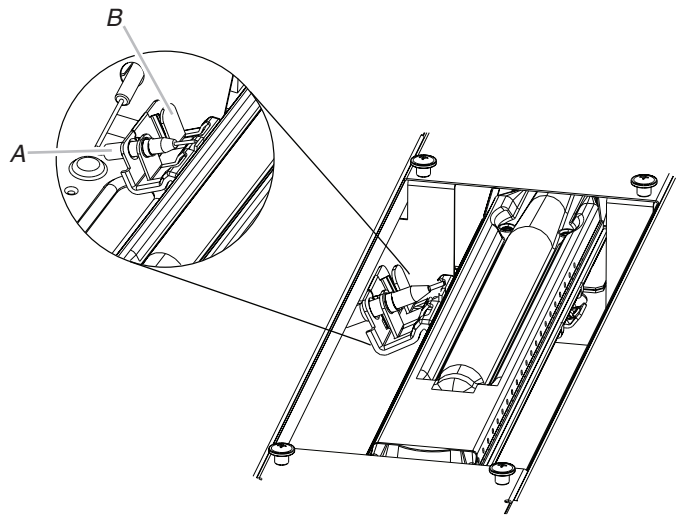
A. Propane gas orifice spud

- Propane gas orifice spuds are stamped with a letter and a number. Install the Number 105 oven bake burner orifice spud.
- Place Natural gas orifice in plastic parts bag for future use, and keep with package containing literature.
- Push down on the clip on the electrode bracket.



A. Oven bake burner electrode bracket
B. Electrode bracket clip

- Replace oven bake burner electrode inside bracket.

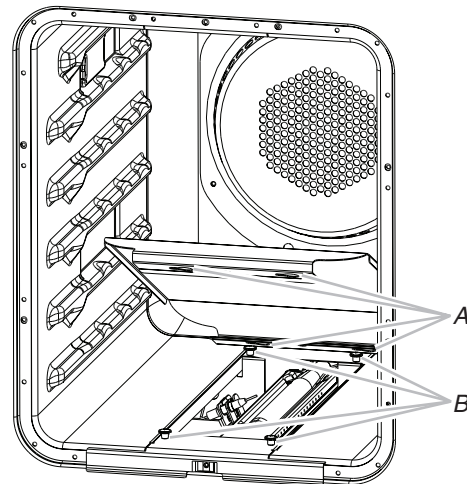


A. Oven bake burner electrode
B. Oven bake burner electrode bracket

- Reinstall the oven bake burner and oven bake burner screws. See step 5 for illustration.

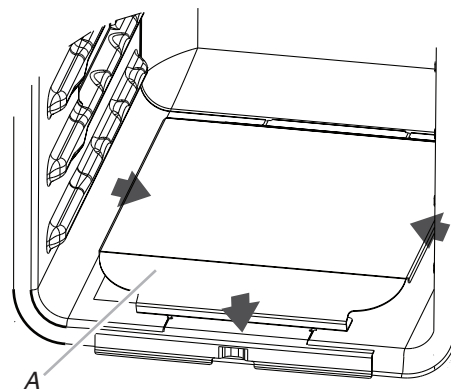
Replace Oven Bake Burner Cover

- Align rear shoulder screw mounting holes (keyholes) on the oven bake burner cover with shoulder screws in the bottom of the oven.



A. Shoulder screw mounting holes (keyholes)
B. Shoulder screws

- Drop cover and slide to left or right to slide shoulder screws into narrow ends of keyholes, and lock into place.



A. Bake burner cover

Complete Installation

1. Refer to the "Make Gas Connection" section for properly connecting the range to the gas supply.
2. Refer to the "Electronic Ignition System" section for proper burner ignition, operation, and burner flame adjustments.
IMPORTANT: You may have to adjust the "LO" setting for each range burner. Checking for proper range burner flame is very important. The small inner cone should have a very distinct blue flame 1/4" (6.4 mm) to 1/2" (1.3 cm) long. The outer cone is not as distinct as the inner cone. Propane gas flames have a slightly yellow tip.
3. Refer to "Complete Installation" in the "Installation Instructions" section of this manual to complete this procedure.

Natural Gas Conversion

⚠️ WARNING



Tip Over Hazard

A child or adult can tip the range and be killed.

Install anti-tip bracket to floor or wall per installation instructions.

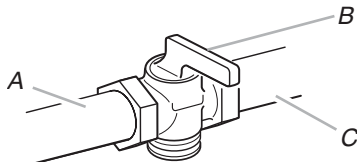
Slide range back so rear range foot is engaged in the slot of the anti-tip bracket.

Re-engage anti-tip bracket if range is moved.

Do not operate range without anti-tip bracket installed and engaged.

Failure to follow these instructions can result in death or serious burns to children and adults.

1. Turn the manual shut-off valve to the closed position.



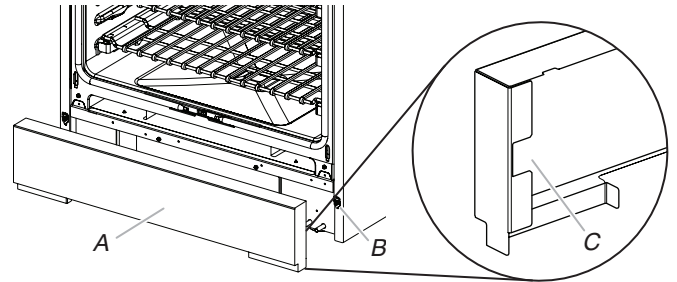
- A. To range
- B. Shut-off valve (closed position)
- C. Gas supply line

2. Unplug range or disconnect power.

To Convert Gas Pressure Regulator from Propane to Natural Gas

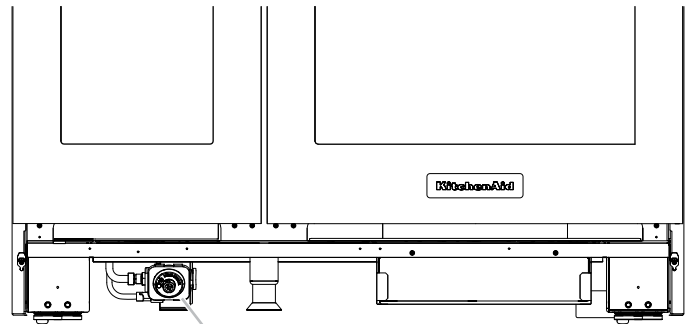
NOTE: Door must be removed in order to remove or replace kick plate. Refer to the "Remove Door" section.

1. Lift the kick plate up and off of the kick plate tab.



- A. Kick plate
- B. Kick plate tab
- C. Kick plate slot

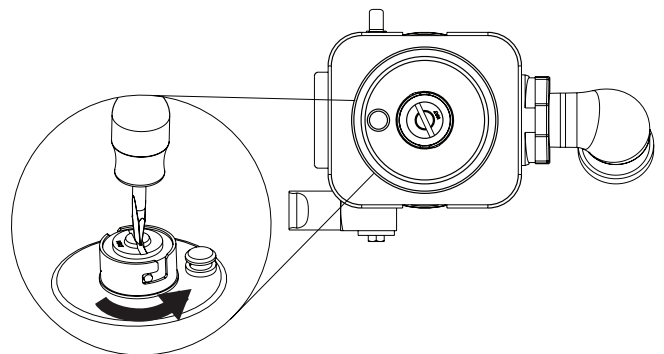
2. Gently lay kick plate aside to avoid scratching the stainless steel.
3. Locate the gas pressure regulator at the left rear of the range.



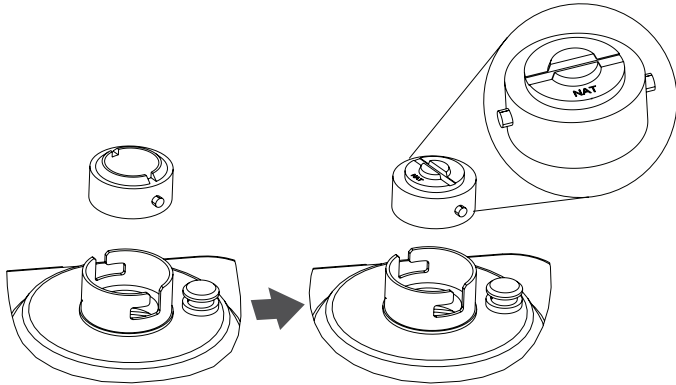
- A. Gas pressure regulator

4. Remove the gas pressure regulator cap by using a large flat-blade screwdriver, turning the regulator cap counterclockwise.

NOTE: Do not remove the spring beneath the cap.



- Turn over the gas pressure regulator cap, and reinstall on the regulator so that the hollow end faces in and the letters "NAT" are visible.



- Tighten the gas pressure regulator cap by using a large flat-blade screwdriver, turning the regulator cap clockwise.
- Test the gas pressure regulator and gas supply line. The regulator must be checked at a minimum 1" (2.5 cm) water column above the set pressure. The inlet pressure to the regulator should be as follows for operation and checking the regulator setting:

Natural Gas:

Minimum pressure: 5" (12.7 cm) WCP

Maximum pressure: 14" (35.6 cm) WCP

Gas Supply Pressure Testing

Gas supply pressure for testing regulator must be at least 1" (2.5 cm) water column pressure above the manifold pressure shown on the model/serial/rating plate.

Line pressure testing above 1/2 psi (3.5 kPa) gauge (14" [35.6 cm] WCP)

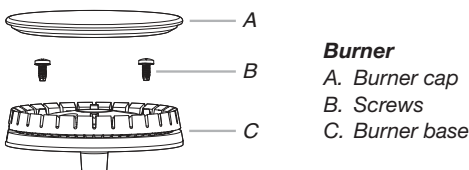
The range and its individual shut-off valve must be disconnected from the gas supply piping system during any pressure testing of that system at test pressures in excess of 1/2 psi (3.5 kPa).

Line pressure testing at 1/2 psi (3.5 kPa) gauge (14" [35.6 cm] WCP) or lower

The range must be isolated from the gas supply piping system by closing its individual manual shut-off valve during any pressure testing of the gas supply piping system at test pressures equal to or less than 1/2 psi (3.5 kPa).

To Convert Surface Burners from Propane to Natural Gas

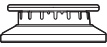

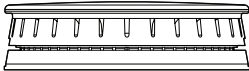
- If the burner grates are installed, remove them.
- Remove burner cap.
- Remove the burner base by first removing (2) T-20 screws.



- Apply masking tape to the end of a 7 mm nut driver to help hold the gas orifice spud in the nut driver while changing it. Insert nut driver into the gas opening and press down onto the gas orifice spud and remove by turning the Propane gas orifice spud counterclockwise and lifting out. Set Propane gas orifice spud aside.

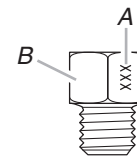
- Replace with correct Natural gas orifice spud. See the "Natural Gas Orifice Spud/Hood Chart." Use the following chart to find the exact orifice spud placement.

Natural Gas Orifice Spud/Hood Chart

Burner Rating	Stamp	Size	Burner Style
5,000 BTUs	99	0.99 mm	Small burner 
15,000 BTUs	175	1.75 mm	Medium burner 
20,000 BTUs	203 78	2.03 mm 0.78 mm	Large burner – main Large burner – simmer 

NOTE: Refer to serial tag for more information on burner ratings and locations.

Burner orifice spud



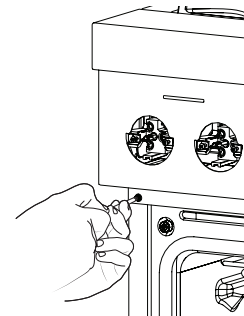
A. Size stamp

B. Fuel type stamp (L or N)

- Place Propane gas orifice spuds in plastic parts bag for future use and keep with package containing literature.
- Replace the burner base and screws. Tighten screws only until burner is snug to cooktop, do not over-tighten.
- Replace burner cap.
- Repeat steps 2 through 8 for the remaining burners.

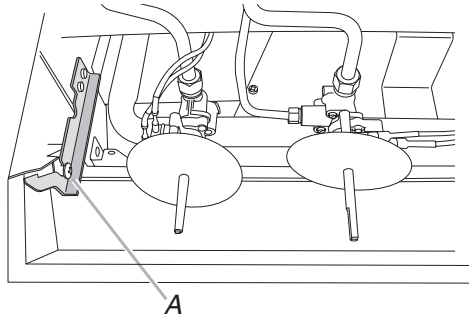
Adjusting Simmer Low Setting on Surface Burners for Natural Gas

- Unplug range or disconnect power.
- Using the square bit screwdriver, remove the surface burner control knobs and bezels (Oven control knobs and griddle control knobs do not have to be removed).
- Open the oven door and remove the two screws on each side of the range that hold the control console in place.



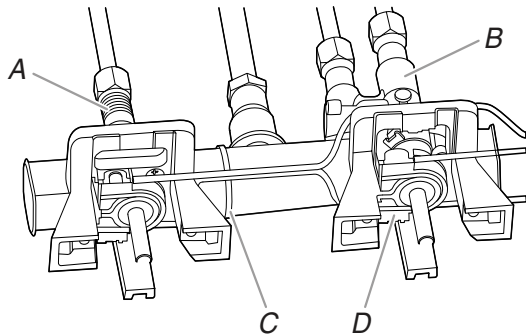
NOTE: Make sure to leave the door open or the control console will not rest in the side brackets properly once it is attached.

- Pull up on the control console and let it drop forward into the notched console brackets on each side.

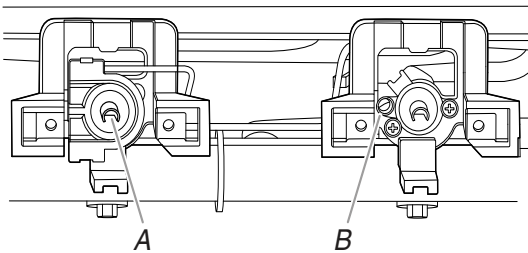


A. Control console bracket

- Locate the appropriate low-turndown screw for the appropriate burner on the given valve. The low-turndown screw for the left rear, right rear, center rear, and center front burner valves (aluminum) is located through the center of the valve stem. The low-turndown screw for the left front and right front burner valves (brass) is located behind the ignition switch on the valve body, left of the stem. To remove the ignition switch cut the wire tie and pull the switch off the valve stem.



- A. Aluminum Valve for Left Rear, Right Rear, Center Rear, and Center Front Burners.
- B. Brass Valve for Left Front and Right Front Dual Burners.
- C. Wire Tie
- D. Ignition Switch



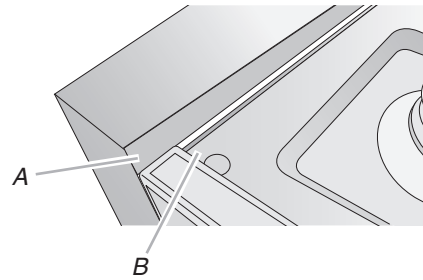
- A. Low-turndown adjustment screw for Aluminum Valve through center of stem.
- B. Low-turndown adjustment screw for Brass Valve.

- With the burner ON (the burner will have to be lit manually with a lighter), and set to simmer LOW, adjust the simmer flame up to the proper BTU level. Using a 1/8" x 4 1/4" (3.2 mm x 10.8 cm) flat blade screwdriver, turn the simmer low-turndown adjustment screw counterclockwise until the flame height is at, or below, the bottom of the cap. If the flame becomes unstable and flickers or appears to race around the burner, the adjustment is too low and the screw should be adjusted counterclockwise until the flame is stable. Repeat this step for all surface burners.

NOTE: Use a knob to adjust the burner valve.

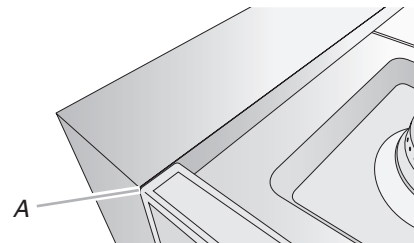
NOTE: Adjust each burner individually.

- After adjustments are completed, replace the ignition switches onto the valves.
 - Lift up on the control console and set it back into place. For a proper fit, the flange of the control console must hook over the lip on the front of the range cooktop.
- NOTE:** It may be necessary to lift valve stems to align with console holes.



- A. Control console flange
- B. Front lip of range cooktop

- Check that the control console is flush with the top edge of the range.

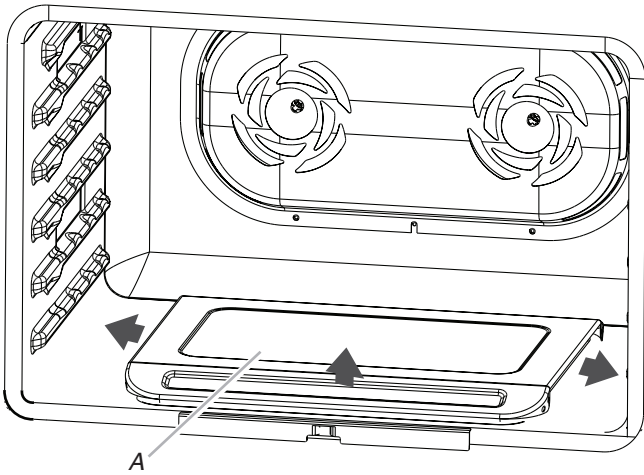


A. Flush with range top

- Replace the screws on each side of the control console.
- Replace the bezels using the 2 screws which attach to the valve brackets, making note that there are front and rear bezels and will only attach properly in the correct location on the console.
- Push the Surface Knobs onto the valve stems.
- Replace the burner grates.

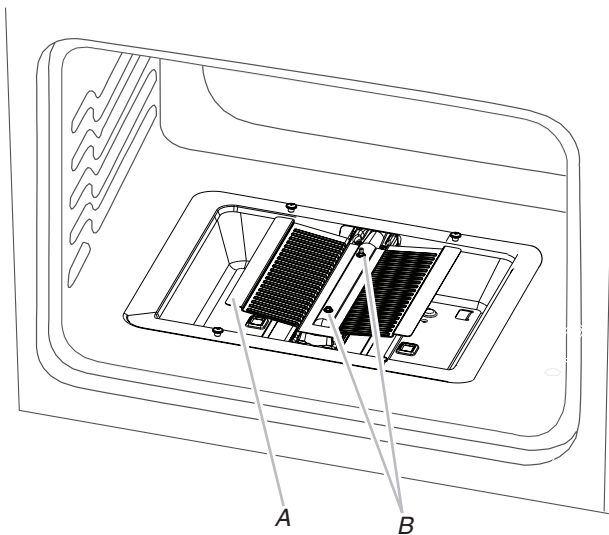
Convert Oven Bake Burner (30" [76.2 cm] and 36" [91.4 cm] models and the right oven cavity on 48" [121.9 cm] models)

1. Slide the bake burner cover to the right or left.



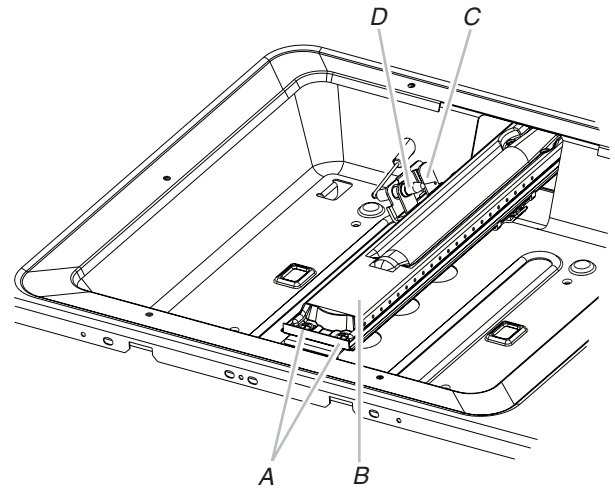
A. Bake burner cover

2. Lift up and remove oven bake burner cover, and set aside.
3. Using a 1/4" (6.4 mm) nut driver, unscrew oven baffle nuts and remove oven baffle. Set aside.



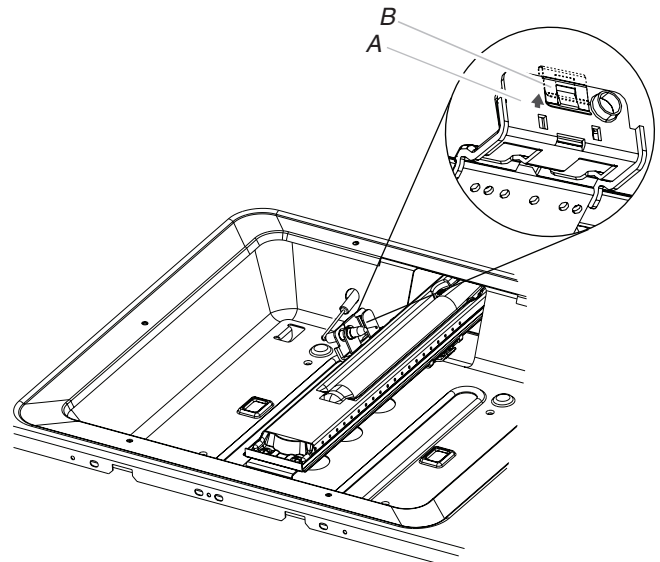
A. Oven baffle
B. Oven baffle nuts

4. Remove the oven bake burner screws and oven bake burner. Rotate burner 90° to the left, and gently lay on its side.



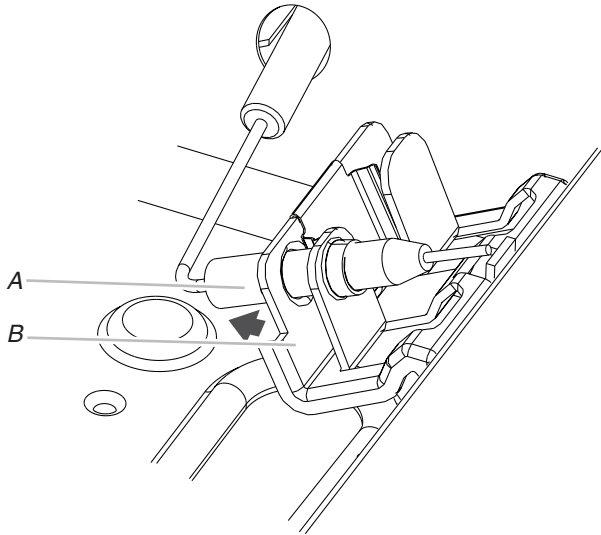
A. Oven bake burner screws
B. Oven bake burner
C. Oven bake burner electrode bracket
D. Oven bake burner electrode

5. Lift up clip on the oven bake burner electrode bracket with a finger or flat-blade screwdriver, and pull away the electrode.

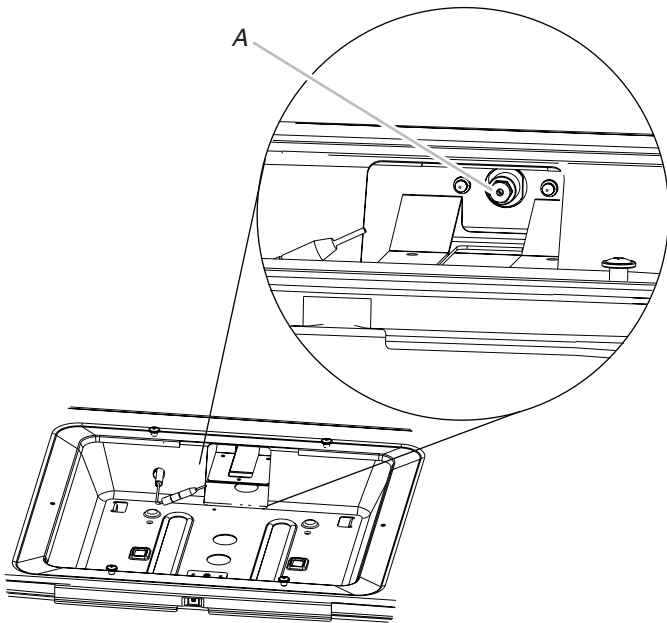


A. Oven bake burner electrode bracket
B. Electrode bracket clip

6. Pull electrode out of bracket.



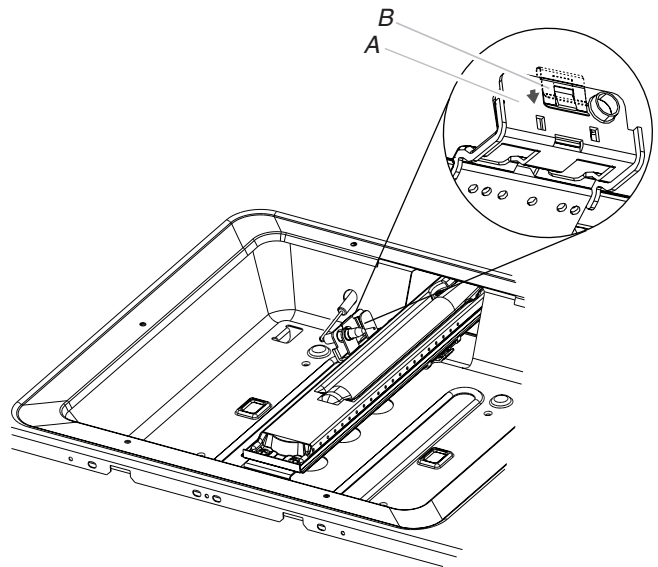
7. Apply masking tape to the end of a 1/4" (6.4 mm) nut driver to help hold the gas orifice spud in the nut driver while changing it. Insert nut driver into the gas opening, and press down onto the gas orifice spud, then remove by turning the propane gas orifice spud counterclockwise and lifting out. Set propane gas orifice spud aside.



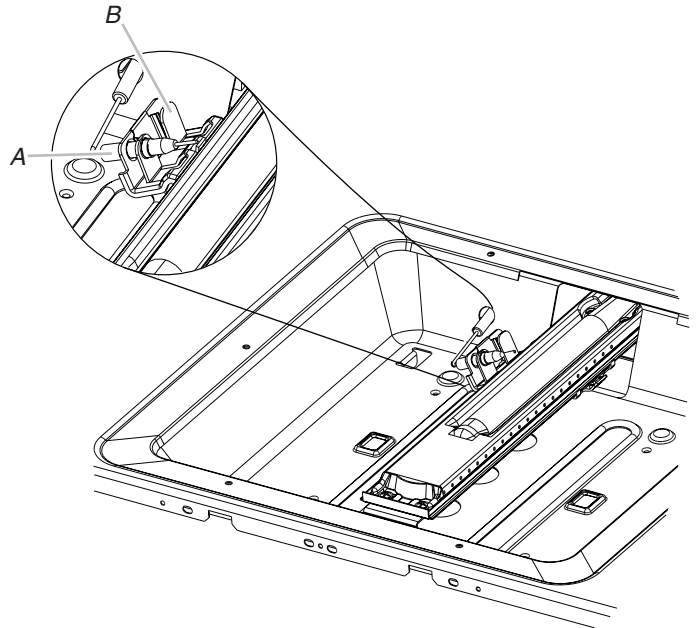
8. Natural gas orifice spuds are stamped with a letter and a number. Install the Number 189 oven bake burner orifice spud.

9. Place Propane gas orifice in plastic parts bag for future use, and keep with package containing literature.

10. Push down on the clip on the electrode bracket.



11. Replace oven bake burner electrode inside bracket.

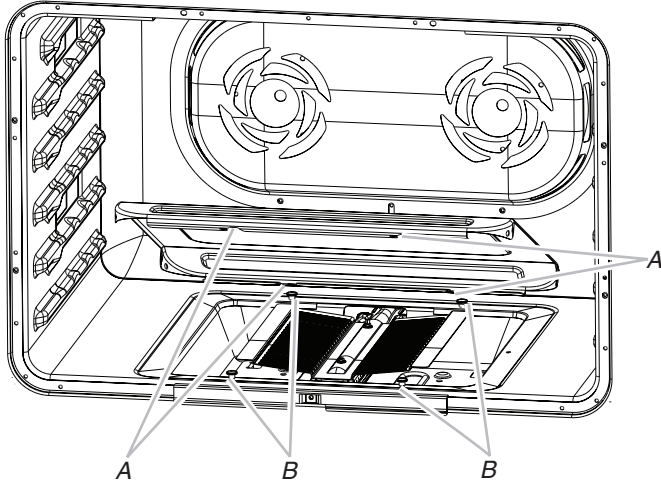


12. Reinstall the oven bake burner and oven bake burner screws. See step 4 for illustration.

13. Replace oven baffle and oven baffle nuts. The front holes will be aligned, and a click will sound when baffle is seated.

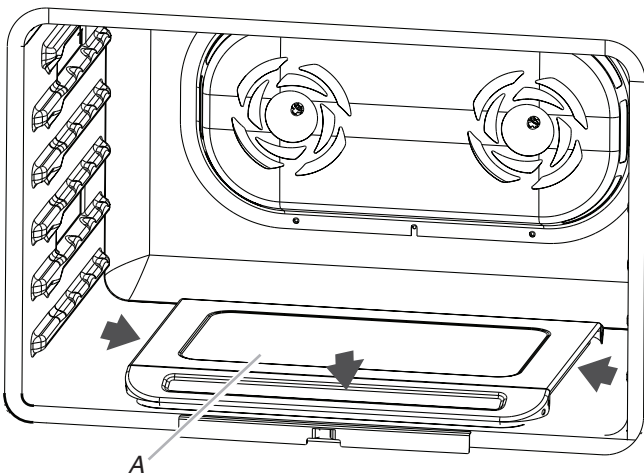
Replace Oven Bake Burner Cover

1. Align notches on the oven bake burner cover with shoulder screws in the bottom of the oven.



A. Cover notches (4)
B. Shoulder screws (4)

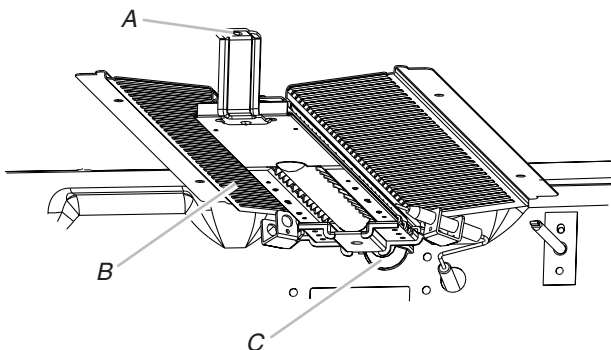
2. Lower cover, and slide to left or right to slide shoulder screws into the narrow ends of the notches, then lock into place.



A. Bake burner cover

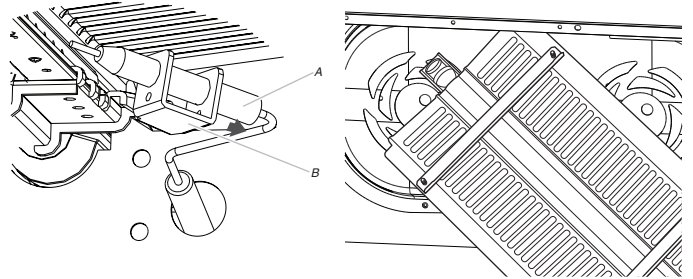
Convert Oven Broil Burner (30" [76.2 cm] and 36" [91.4 cm] models and the right oven cavity on 48" [121.9 cm] models)

1. Using a 1/4" (6.4 mm) nut driver, remove broil burner screw. Set aside with side igniter positioned on the right.



A. Broil burner screw
B. Broil burner
C. Broil burner orifice hole

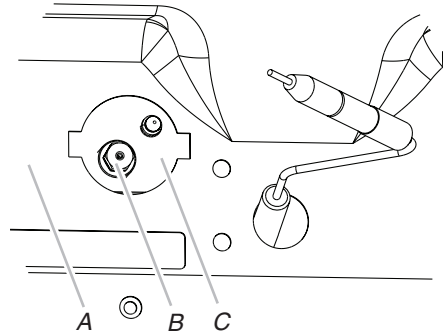
2. Pull the broil burner toward you until it slides out of the hole in the oven back, and pull the electrode out of the bracket. The broil burner will hang down in the back of the oven while you change the orifice.



A. Grasp electrode here
B. Bracket

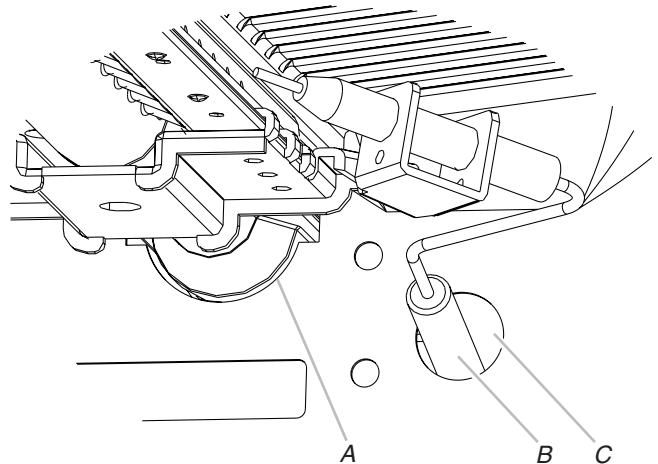
Broil burner hanging in back of oven

3. Apply masking tape to the end of a 1/4" (6.4 mm) nut driver to help hold the gas orifice spud in the nut driver while changing it. Insert nut driver into the gas opening, and press down onto the gas orifice spud, then remove by turning the Propane gas orifice spud counterclockwise and lifting out. Set Propane gas orifice spud aside.



A. Oven back
B. Broil burner orifice
C. Broil burner orifice hole

4. Natural gas orifice spuds are stamped with a letter and a number. Install the Number 148 oven broil burner orifice spud.
5. Place Propane gas orifice in plastic parts bag for future use, and keep with package containing literature.
6. Replace the broil burner in the hole in the oven back with the broil burner assembly inside the broil burner electrode hole as illustrated.

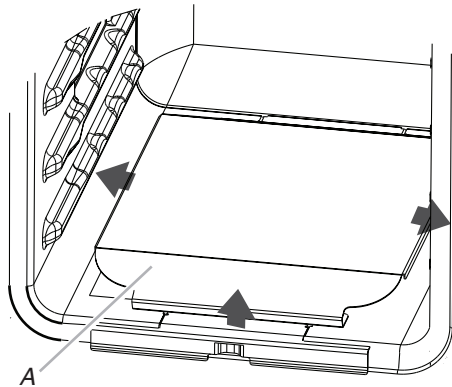


A. Broil burner orifice hole
B. Broil burner electrode
C. Broil burner electrode hole

7. Reinstall the oven broil burner screw. See step 1 for illustration. The screw is aligned with the hole when a click sounds.

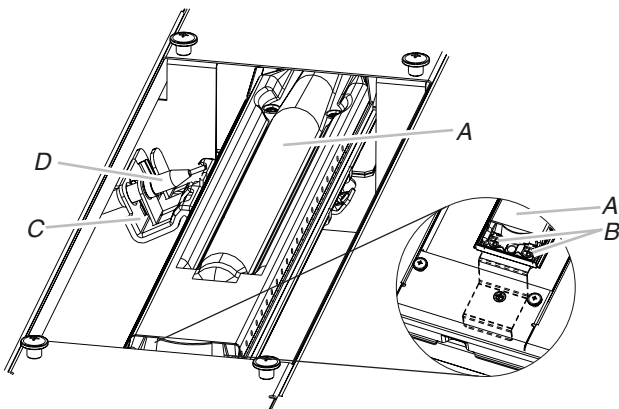
Convert Oven Bake Burner (left oven cavity on 48" [121.9 cm] models)

1. Remove oven racks. See the "Remove Racks" section.
2. Remove the oven door. See the "Remove Oven Door" section.
3. Slide the bake burner cover to the right or left.



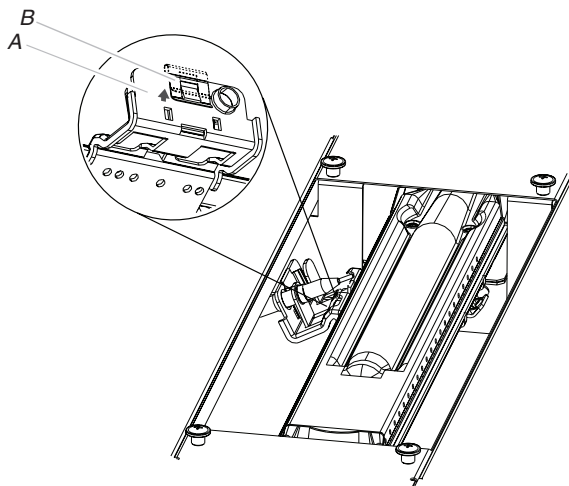
A. Bake burner cover

4. Lift up and remove oven bake burner cover, and set aside.
5. Remove the oven bake burner screws and oven bake burner, and gently set aside.



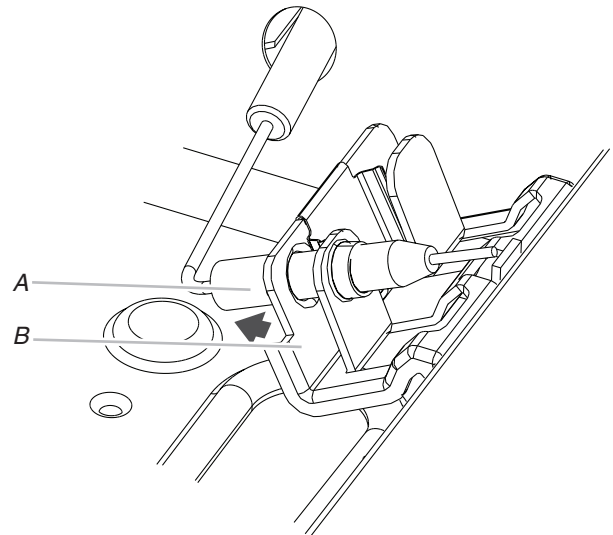
A. Oven bake burner
B. Oven bake burner screws
C. Oven bake burner electrode bracket
D. Oven bake burner electrode

6. Lift clip up on the oven bake burner electrode bracket with a finger or flat-blade screwdriver.



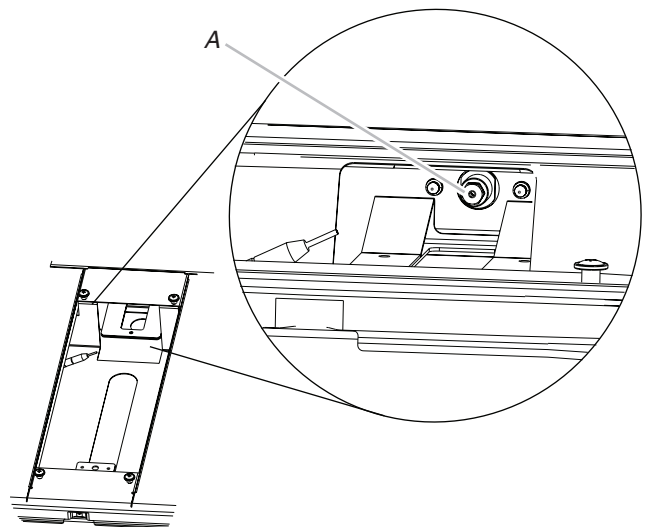
A. Oven bake burner electrode bracket
B. Electrode bracket clip

7. Pull electrode out of bracket.



A. Grasp electrode here
B. Bracket

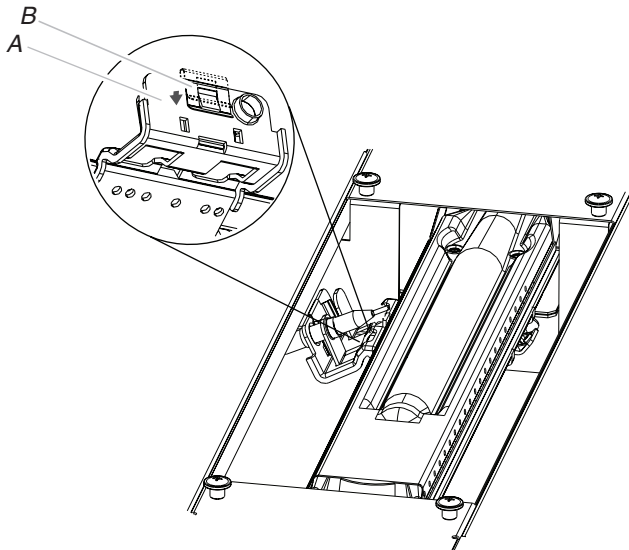
8. Apply masking tape to the end of a 1/4" (6.4 mm) nut driver to help hold the gas orifice spud in the nut driver while changing it. Insert nut driver into the gas opening, and press down onto the gas orifice spud, then remove by turning the Propane gas orifice spud counterclockwise and lifting out. Set Propane gas orifice spud aside.



A. Propane gas orifice spud

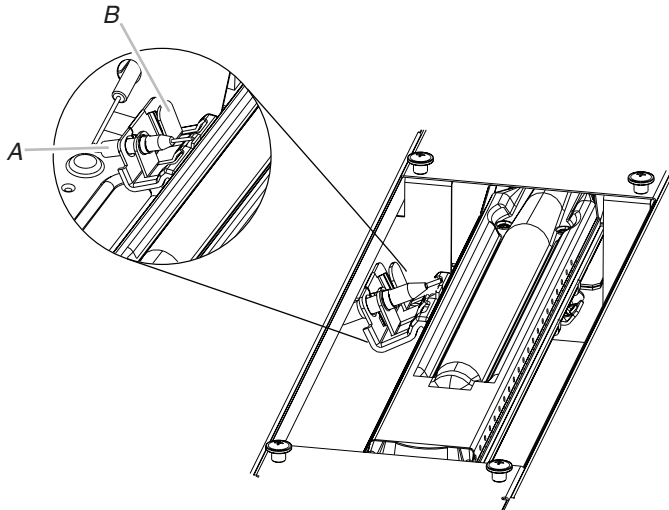
9. Natural gas orifice spuds are stamped with a letter and a number. Install the Number 154 oven bake burner orifice spud.
10. Place Propane gas orifice in plastic parts bag for future use, and keep with package containing literature.

11. Push down on the clip on the electrode bracket.



A. Oven bake burner electrode bracket
B. Electrode bracket clip

12. Replace oven bake burner electrode inside bracket.

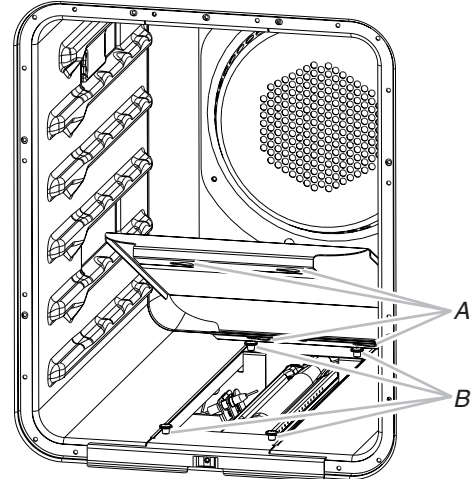


A. Oven bake burner electrode
B. Oven bake burner electrode bracket

13. Reinstall the oven bake burner and oven bake burner screws. See step 5 for illustration.

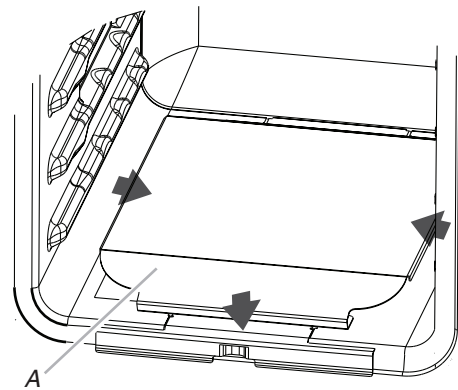
Replace Oven Bake Burner Cover

1. Align rear shoulder screw mounting holes (keyholes) on the oven bake burner cover with shoulder screws in the bottom of the oven.



A. Shoulder screw mounting holes (keyholes)
B. Shoulder screws

2. Drop cover and slide to left or right to slide shoulder screws into narrow ends of keyholes, and lock into place.



A. Bake burner cover

Complete Installation

1. Refer to the "Make Gas Connection" section for properly connecting the range to the gas supply.
2. Refer to the "Electronic Ignition System" section for proper burner ignition, operation, and burner flame adjustments.

IMPORTANT: You may have to adjust the "LO" setting for each range burner.

Checking for proper range burner flame is very important. The small inner cone should have a very distinct blue flame 1/4" (6.4 mm) to 1/2" (1.3 cm) long. The outer cone is not as distinct as the inner cone. Propane gas flames have a slightly yellow tip.

3. Refer to "Complete Installation" in the "Installation Instructions" section of this manual to complete this procedure.

SÉCURITÉ DE LA CUISINIÈRE

Votre sécurité et celle des autres est très importante.

Nous donnons de nombreux messages de sécurité importants dans ce manuel et sur votre appareil ménager. Assurez-vous de toujours lire tous les messages de sécurité et de vous y conformer.



Voici le symbole d'alerte de sécurité.

Ce symbole d'alerte de sécurité vous signale les dangers potentiels de décès et de blessures graves à vous et à d'autres.

Tous les messages de sécurité suivront le symbole d'alerte de sécurité et le mot "DANGER" ou "AVERTISSEMENT". Ces mots signifient :

⚠ DANGER

Risque possible de décès ou de blessure grave si vous ne suivez pas immédiatement les instructions.

⚠ AVERTISSEMENT

Risque possible de décès ou de blessure grave si vous ne suivez pas les instructions.

Tous les messages de sécurité vous diront quel est le danger potentiel et vous disent comment réduire le risque de blessure et ce qui peut se produire en cas de non-respect des instructions.

AVERTISSEMENT : Si les renseignements dans ces instructions ne sont pas exactement observés, un incendie ou une explosion peut survenir, causant des dommages au produit, des blessures ou un décès.

- Ne pas entreposer ni utiliser de l'essence ou d'autres vapeurs ou liquides inflammables à proximité de cet appareil ou de tout autre appareil électroménager.
- **QUE FAIRE DANS LE CAS D'UNE ODEUR DE GAZ :**
 - Ne pas tenter d'allumer un appareil.
 - Ne pas toucher à un commutateur électrique.
 - Ne pas utiliser le téléphone se trouvant sur les lieux.
 - Appeler immédiatement le fournisseur de gaz à partir du téléphone d'un voisin. Suivre ses instructions.
 - À défaut de joindre votre fournisseur de gaz, appeler les pompiers.
- L'installation et l'entretien doivent être effectués par un installateur qualifié, une agence de service ou le fournisseur de gaz.

AVERTISSEMENT : L'odorat ne permet pas toujours la détection d'une fuite de gaz.

Les distributeurs de gaz recommandent l'emploi d'un détecteur de gaz (homologation UL ou CSA).

Pour d'autres informations, contacter le fournisseur de gaz local.

En cas de détection d'une fuite de gaz, exécuter les instructions "Que faire dans le cas d'une odeur de gaz".

⚠ ATTENTION :

Ne faites jamais fonctionner la surface de cuisson, sur le dessus de cet appareil, sans surveillance.

- **Le non-respect de cette mise en garde pourrait entraîner un incendie, une explosion ou un risque de brûlure et ainsi causer des dommages matériels, des blessures ou la mort.**
- **Si l'appareil prend feu, tenez-vous à l'écart et appelez immédiatement votre service des incendies.**

NE TENTEZ JAMAIS D'ÉTEINDRE UN FEU DE GRAISSE OU D'HUILE EN L'ASPERGEANT D'EAU.

IMPORTANT : Ne pas installer un système de ventilation avec évacuation de l'air vers le bas, qui évacuerait l'air vers cet appareil de cuisson à gaz. Ce type de système de ventilation peut causer des problèmes d'allumage et de combustion avec cet appareil de cuisson à gaz et entraîner des blessures corporelles ou le fonctionnement non désiré de cet appareil.

Dans l'État du Massachusetts, les instructions d'installation suivantes sont applicables :

- Les travaux d'installation et réparation doivent être exécutés par un plombier ou tuyauteur qualifié ou licencié, ou par le personnel qualifié d'une entreprise licenciée par l'État du Massachusetts.
- Remplacer par des dispositifs de fermeture acceptables : Les robinets de gaz et robinets à bille installés pour l'utilisation devraient être indiqués.
- Si un conduit de raccordement flexible est utilisé, sa longueur ne doit pas dépasser 4 pi (121,9 cm).

⚠ AVERTISSEMENT

Risque de basculement

Un enfant ou une personne adulte peut faire basculer la cuisinière, ce qui peut causer un décès.

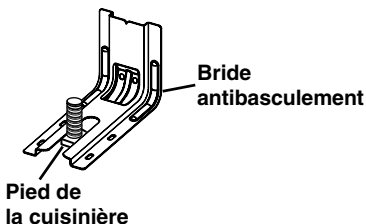
Fixer la bride antibasculement au plancher ou au mur, conformément aux instructions d'installation.

Faire glisser de nouveau la cuisinière de façon à ce que le pied arrière de la cuisinière se trouve dans la fente de la bride antibasculement.

Réengager la bride antibasculement si la cuisinière a été déplacée.

Ne pas faire fonctionner la cuisinière si la bride antibasculement n'est pas installée et engagée.

Le non-respect de ces instructions peut causer un décès ou des brûlures graves aux enfants et aux adultes.



Pour vérifier que la bride antibasculement est bien installée et engagée :

- **Faire glisser la cuisinière vers l'avant.**
- **Vérifier que la bride antibasculement est bien fixée au plancher ou au mur.**
- **Faire de nouveau glisser la cuisinière vers l'arrière de sorte que le pied de la cuisinière se trouve sous la bride antibasculement.**
- **Voir les instructions d'installation pour plus de détails.**

EXIGENCES D'INSTALLATION

Outils et pièces

Rassembler les outils et pièces nécessaires avant d'entreprendre l'installation. Lire et observer les instructions fournies avec chacun des outils de la liste ci-dessous.

Outils nécessaires



Clé à tuyauterie



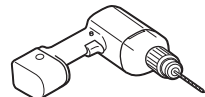
Clé à molette ou clé de 5/8 po (16 mm)



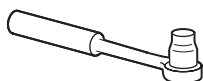
Tournevis à tête plate de 1/8 po x 4 1/4 po (3 mm x 100 mm)



Tournevis cruciforme no 2



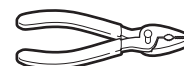
Perceuse



Clé à cliquet de 3/8 po (9,5 mm)



Clé mixte de 15/16 po (24 mm)



Pince



Niveau



Coupe-tube



Tourne-écrou de 1/4 po (6,4 mm), 3/8 po (9,5 mm) et 5/16 po (7,9 mm)



Marqueur ou crayon



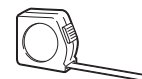
Foret de maçonnerie à pointe carburée de 3/16 po (4,8 mm)



Composé d'étanchéité des raccords filetés résistant au gaz propane



Solution non corrosive de détection des fuites

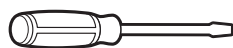


Ruban à mesurer



Foret de 1/8 po (3,2 mm)

Pour les conversions gaz propane/naturel



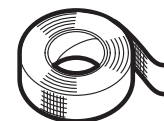
Grand tournevis à lame plate



Clé à molette



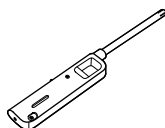
Tourne-écrou de 7 mm



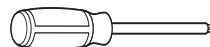
Ruban adhésif de masquage



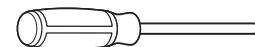
Clé ouverte de 1/2 po (1,3 cm)



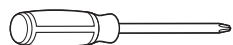
Briquet



Tournevis Torx® T20†



Tournevis carré no 1



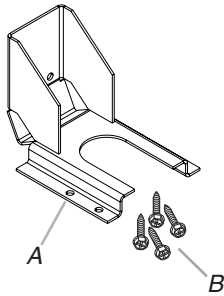
Tournevis cruciforme no 2

†TORX® et T20® sont des marques déposées de Acument Intellectual Properties, LLC.

Pièces fournies

Vérifier que toutes les pièces sont présentes.

- Trousse de bride antibasculement



A. Bride antibasculement

B. (4) vis à tête cruciforme no 8-18 x 1 po (2,5 cm)

REMARQUE : La bride antibasculement doit être solidement fixée au sous-plancher. La profondeur du plancher peut nécessiter des vis plus longues pour l'ancrage de la bride dans le sous-plancher. Des vis plus longues sont offertes chez votre quincaillerie locale. Voir la section « Installation de la bride antibasculement ».

- Grilles de brûleur
- Chapeaux de brûleur
- Plateau d'égouttement de la plaque à frire (sur modèles avec plaque à frire)

Pièces nécessaires

- Tous les modèles doivent être installés avec un dossieret si l'installation se fait sans dégagement entre l'appareil et une paroi arrière combustible comme un mur en gypse. Voir « Dimensions de l'armoire » à la section « Exigences d'emplacement » pour les spécifications concernant l'installation.

Vérifier les codes locaux et consulter le fournisseur de gaz. Vérifier l'alimentation en gaz et l'alimentation électrique existantes. Voir les sections « Spécifications électriques » et « Spécifications de l'alimentation en gaz ».

Il est recommandé de faire réaliser tous les raccordements électriques par un électricien qualifié agréé.

Exigences d'emplacement

IMPORTANT : Observer les dispositions de tous les codes et règlements en vigueur. Ne pas obstruer le flux de combustion et de ventilation.

- C'est à l'installateur qu'incombe la responsabilité de respecter les distances de séparation spécifiées sur la plaque signalétique. La plaque signalétique se trouve sous la console, du côté droit.
- Il est recommandé qu'une hotte de cuisinière de 585 CFM (993,9 m³/h) ou plus soit installée au-dessus de la cuisinière.
- Suivre les instructions d'installation de la hotte de cuisinière ou de l'ensemble hotte/micro-ondes pour les dimensions de dégagement à respecter au-dessus de la surface de la table de cuisson.
- Dans le cas d'une cuisinière encastrée, l'enceinte doit recouvrir complètement les côtés et l'arrière de la cuisinière.
- Toutes les ouvertures dans le mur ou le plancher de l'emplacement d'installation de la cuisinière doivent être scellées.
- Ne pas réaliser de scellement entre la cuisinière et les armoires latérales.
- Respecter les dimensions indiquées pour les ouvertures à découper dans les meubles. Ces dimensions constituent les valeurs minimums des dégagements.

- La bride antibasculement doit être installée. Pour l'installation de la bride antibasculement fournie avec la cuisinière, voir la section « Installation de la bride antibasculement ».
- Une source d'électricité avec liaison à la terre est nécessaire. Voir la section « Spécifications électriques ».
- Un raccordement adéquat à l'alimentation en gaz doit être disponible. Voir la section « Spécifications de l'alimentation en gaz ».
- Contacter un installateur de revêtement de sol qualifié, qui pourra déterminer si le revêtement de sol peut résister à une température d'au moins 200 °F (93 °C). Dans le cas de l'installation de la cuisinière par-dessus un tapis, placer sous la cuisinière une plaque d'appui isolée, ou une plaque de contreplaqué de 1/4 po (6,4 mm).

IMPORTANT : Pour éviter d'endommager les armoires, consulter le constructeur de la maison ou le fabricant des armoires pour déterminer si les matériaux utilisés peuvent subir un changement de couleur, une déstratification ou d'autres dommages. Ce four a été conçu conformément aux exigences des normes UL et CSA International et respecte la température maximale permise de 194 °F (90 °C) pour les armoires en bois.

Résidence mobile – Spécifications additionnelles à respecter lors de l'installation

L'installation de cette cuisinière doit s'effectuer conformément à la norme Manufactured Home Construction Safety Standards, Title 24 CFR, Part 3280 (anciennement Federal Standard for Mobile Home Construction and Safety, title 24, HUD, Part 280). Lorsque cette norme n'est pas applicable, utiliser la norme Standard for Manufactured Home Installations, ANSI A225.1/NFPA 501A ou les dispositions des codes locaux.

Au Canada, l'installation de cette cuisinière doit respecter la plus récente version des normes CAN/CSA-A240 ou les dispositions des codes locaux.

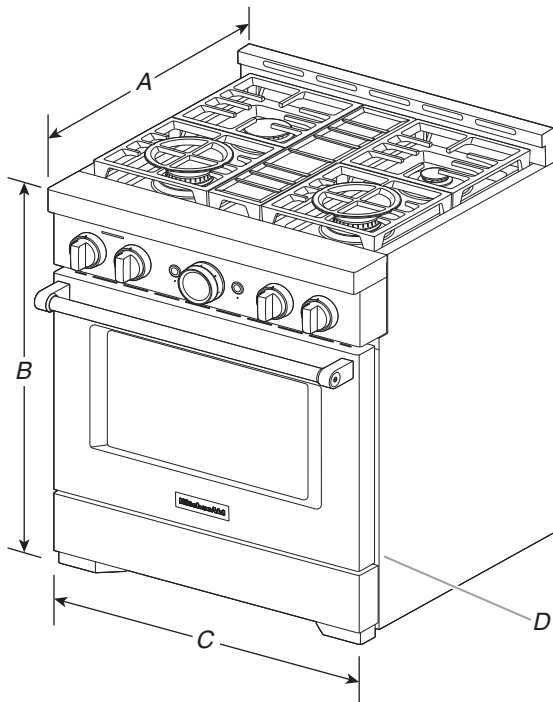
Autres critères à respecter pour une installation en résidence mobile :

- Dans le cas de l'installation de cette cuisinière dans une résidence mobile, la cuisinière doit être fixée au plancher durant tout déplacement du véhicule. Toute méthode de fixation de la cuisinière est adéquate dans la mesure où elle satisfait aux critères des normes mentionnées ci-dessus.
- L'installation des appareils conçus pour les parcs de véhicules récréatifs doit respecter les codes de l'État/la province, d'autres codes, en l'absence de ces premiers, ou la norme ANSI A119.5 pour les parcs de véhicules récréatifs.

Dimensions du produit

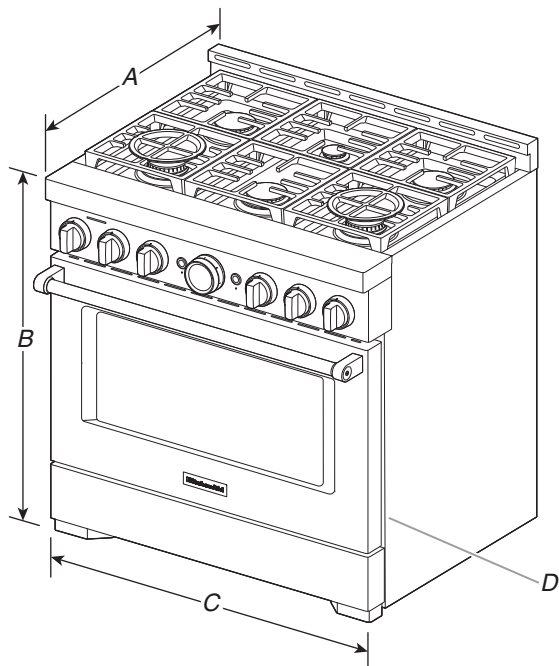
REMARQUE : Les caractéristiques de la table de cuisson peuvent varier.

Modèles de 30 po (76,2 cm)



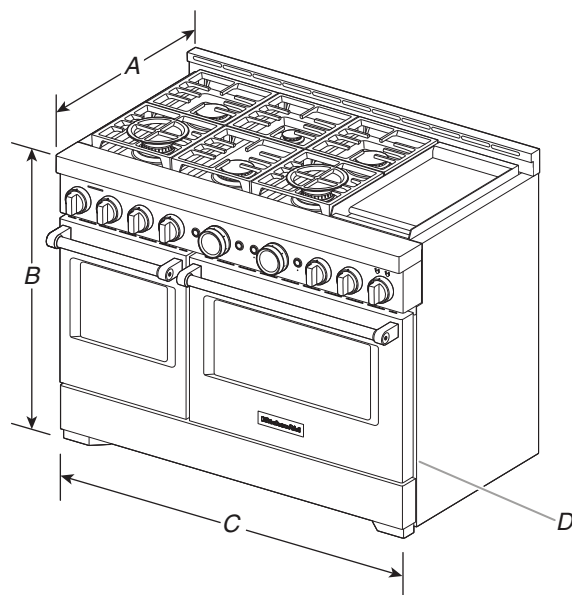
- A. Profondeur avec le tableau de commande : 27 ³/₄ po (70,5 cm) (voir REMARQUE).
- B. Hauteur de la cuisinière lorsqu'elle est appuyée sur les roulettes : 36 po (91,4 cm).
- C. Largeur : 29 ⁷/₈ po (75,7 cm)
- D. Plaque signalétique (située sur le panneau avant latéral).

Modèles de 36 po (91,4 cm)



- A. Profondeur avec le tableau de commande : 27 ³/₄ po (70,5 cm) (voir REMARQUE).
- B. Hauteur de la cuisinière lorsqu'elle est appuyée sur les roulettes : 36 po (91,4 cm).
- C. Largeur : 35 ⁷/₈ po (91,1 cm)
- D. Plaque signalétique (située sur le panneau avant latéral).

Modèles de 48 po (121,9 cm)



- A. Profondeur avec le tableau de commande : 27 ³/₄ po (70,5 cm) (voir REMARQUE).
- B. Hauteur de la cuisinière lorsqu'elle est appuyée sur les roulettes : 36 po (91,4 cm).
- C. Largeur : 47 ⁷/₈ po (121,6 cm)
- D. Plaque signalétique (située sur le panneau avant latéral).

REMARQUE : Dans le cas d'une installation entre des armoires de 24 po (61,0 cm) avec plan de travail de 25 po (63,5 cm), l'avant de la porte du four sera en saillie de 3 po (7,6 cm) au-delà de la façade des armoires de 24 po (61,0 cm).

Spécifications de l'armoire

Les dimensions de l'espace entre les armoires correspondent à une installation entre des armoires de 24 po (61,0 cm) de profondeur, avec plan de travail de 25 po (64,0 cm) de profondeur et de 36 po (91,4 cm) de hauteur. Les dimensions doivent être respectées pour que les éléments soient en affleurement avec la paroi arrière.

IMPORTANT : Si une hotte, une caisse de hotte ou un ensemble hotte/four à micro-ondes est installé au-dessus de la surface de cuisson, suivre les instructions d'installation de la hotte ou de l'ensemble hotte/four à micro-ondes pour obtenir les dimensions de dégagement à conserver au-dessus de la surface de cuisson.

Spécifications électriques

⚠ AVERTISSEMENT



Risque de choc électrique

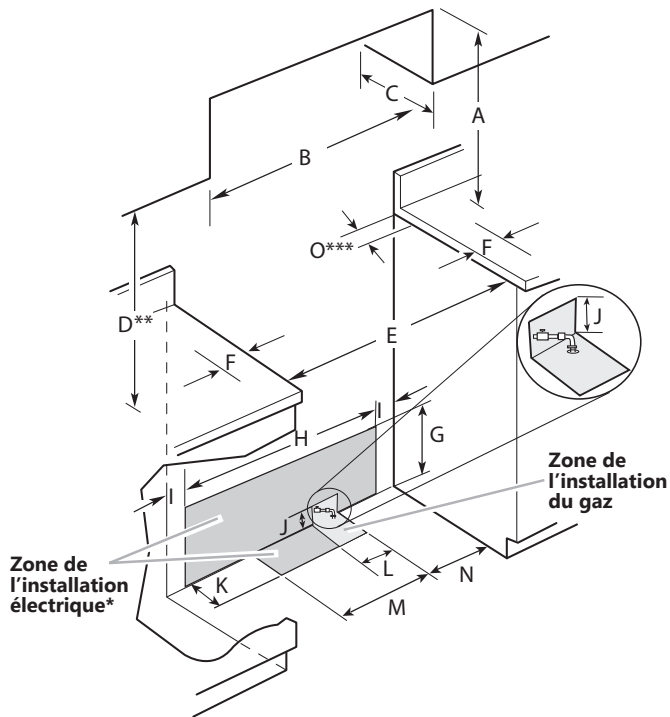
Brancher sur une prise à 3 alvéoles reliée à la terre.

Ne pas enlever la broche de liaison à la terre.

Ne pas utiliser un adaptateur.

Ne pas utiliser un câble de rallonge.

Le non-respect de ces instructions peut causer un décès, un incendie ou un choc électrique.



- A. Pour la distance libre minimale vers la partie supérieure de la cuisinière.**
- B. Modèle de 30 po (76,2 cm) : Largeur minimale de l'armoire supérieure de 30 po (76,2 cm).
Modèle de 36 po (91,4 cm) : Largeur minimale de l'armoire supérieure de 36 po (91,4 cm).
Modèle de 48 po (121,9 cm) : Largeur minimale de l'armoire supérieure de 48 po (121,9 cm).
- C. Profondeur maximale des armoires supérieures de 13 po (33 cm).
- D. Espace entre l'armoire supérieure et le comptoir : 18 po (45,7 cm).
- E. 30 po (76,2 cm) sur les modèles de 30 po (76,2 cm).
36 po (91,4 cm) sur les modèles de 36 po (91,4 cm).
48 po (121,9 cm) sur les modèles de 48 po (121,9 cm).
- F. Dégagement minimal de 12 po (30,4 cm) entre l'un ou l'autre côté de la cuisinière et la paroi latérale ou d'autres matériaux combustibles.
- G. 15 po (38,1 cm)
- H. 22 po (55,9 cm) sur les modèles de 30 po (76,2 cm).
28 po (71,1 cm) sur les modèles de 36 po (91,4 cm).
40 po (101,6 cm) sur les modèles de 48 po (121,9 cm).
- I. 4 po (10,1 cm)
- J. 3 po (7,6 cm)
- K. 5 po (12,7 cm)
- L. 3 po (7,6 cm) sur les modèles de 30 po (76,2 cm).
11 po (27,9 cm) sur les modèles de 36 po (91,4 cm).
21 po (53,3 cm) sur les modèles de 48 po (121,9 cm).
- M. 7 1/2 po (19,0 cm)
- N. 9 po (22,9 cm)
- O. 6 po (15,2 cm)***

** Si aucune ventilation n'est utilisée, Dégagements minimums

Modèles de 30 po (76,2 cm) : Distance de séparation minimale de 42 po (106,7 cm) ou plus entre le dessus de la table de cuisson et le dessous d'une surface combustible.

Modèles de 36 po (91,4 cm) : Distance de séparation minimale de 42 po (106,7 cm) ou plus entre le dessus de la table de cuisson et le dessous d'une surface combustible.

Modèles de 48 po (121,9 cm) : Distance de séparation minimale de 48 po (121,9 cm) ou plus entre le dessus de la table de cuisson et le dessous d'une surface combustible.

***Si la surface de la paroi arrière est fabriquée d'un matériau combustible et qu'aucun dossier n'est installé, un dégagement minimal de 6 po (15,2 cm) est nécessaire pour tous les modèles.

IMPORTANT : La cuisinière doit être reliée à la terre en conformité avec les codes et règlements locaux en vigueur, ou en l'absence de codes locaux, avec le National Electrical Code, ANSI/NFPA 70 ou le Code canadien des installations électriques, CSA C22.1.

Si les codes le permettent et si on utilise un conducteur distinct de liaison à la terre, il est recommandé qu'un électricien qualifié vérifie la qualité de la liaison à la terre.

On peut obtenir un exemplaire de la norme ci-dessus auprès de :

National Fire Protection Association
1 Batterymarch Park
Quincy, MA 02169-7471
CSA International
8501 East Pleasant Valley Road
Cleveland, Ohio 44131-5575

- L'appareil doit être alimenté par un circuit de 120 V, CA seulement, 60 Hz, 15 A, protégé par fusible. On recommande également d'utiliser un fusible ou un disjoncteur temporisé. Il est recommandé de raccorder la cuisinière sur un circuit distinct exclusif à cet appareil.
- Les systèmes d'allumage électronique fonctionnent avec des limites de tension étendues, mais une liaison à la terre correcte et une polarité appropriée sont nécessaires. Vérifier que la prise fournit une alimentation de 120 V et qu'elle est correctement reliée à la terre.
- Le schéma de câblage se trouve dans un sac de plastique transparent placé derrière le garde-pieds.

Spécifications de l'alimentation en gaz

⚠ AVERTISSEMENT



Risque d'explosion

Utiliser une canalisation neuve d'arrivée de gaz approuvée par la CSA International.

Installer un robinet d'arrêt.

Bien serrer chaque organe de connexion de la canalisation de gaz.

En cas de connexion au gaz propane, demander à une personne qualifiée de s'assurer que la pression de gaz ne dépasse pas 14 po (36 cm) de la colonne d'eau.

Par personne qualifiée, on comprend :

le personnel autorisé de chauffage,
le personnel autorisé d'une compagnie de gaz, et
le personnel d'entretien autorisé.

Le non-respect de ces instructions peut causer un décès, une explosion ou un incendie.

Observer les dispositions de tous les codes et règlements en vigueur.

IMPORTANT : Cette installation doit être effectuée conformément avec les codes et règlements locaux. En l'absence de codes locaux, l'installation doit être effectuée en conformité avec l'édition la plus récente du American National Standard, National Fuel Gas Code ANSI Z223.1/NFPA 54 ou l'édition la plus récente du au Canada, le Code sur l'installation du gaz naturel et du propane, CSA B149.1.

IMPORTANT : La cuisinière doit être raccordée à une source d'alimentation en gaz régulée.

IMPORTANT : Les tests de fuite de la cuisinière doivent être effectués selon les instructions du fabricant.

Type de gaz

Gaz naturel :

Cette cuisinière a été configurée à l'usine pour l'alimentation au gaz naturel. La plaque signalétique située sous la console, du côté droit, contient des informations sur les types de gaz utilisables. Si le type de gaz disponible n'est pas mentionné sur la plaque signalétique, consulter le fournisseur local.

Conversion pour l'alimentation au propane :

L'opération de conversion doit être exécutée par un technicien de réparation qualifié.

Ne pas entreprendre de convertir la cuisinière pour une utilisation avec un gaz différent de celui indiqué sur la plaque signalétique sans d'abord consulter le fournisseur de gaz. Pour la conversion au gaz propane, utiliser la trousse de conversion au gaz propane fournie avec la cuisinière et voir la section « Conversions pour changement de gaz ». Les pièces pour cette trousse se trouvent dans le sachet contenant la documentation fournie avec la cuisinière.

Canalisation d'alimentation en gaz

- Installer une canalisation de gaz rigide de 3/4 po (1,9 cm) jusqu'à l'emplacement d'installation de la cuisinière. L'emploi d'une canalisation de diamètre inférieur sur un circuit plus long peut causer une insuffisance du débit d'alimentation en gaz. Pour l'alimentation au propane, le diamètre des canalisations ou tuyaux doit être de 1/2 po (1,3 cm) minimum. En général, le fournisseur de gaz propane détermine les matériaux à utiliser et le diamètre approprié.

REMARQUE : On doit utiliser un composé d'étanchéité pour tuyauteries résistant à l'action du gaz propane. Ne pas utiliser de ruban TEFLON®†.

Raccord métallique flexible :

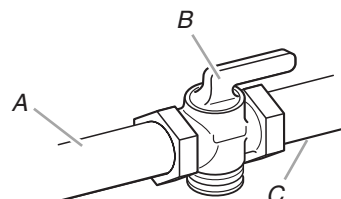
- Si le code local le permet, on peut utiliser un raccord métallique flexible neuf (homologation CSA) de 4 à 5 pi (122 à 152 cm) de longueur, diamètre interne 5/8 po (1,6 cm) ou 3/4 po (1,9 cm), pour raccorder la cuisinière à la canalisation de gaz.



- Un raccord de tuyauterie mâle de 1/2 po (1,3 cm) est nécessaire pour la connexion sur le raccord à filetage femelle à l'entrée du détendeur de l'appareil.
- Ne pas plier ou endommager le tuyau de métal flexible lors du déplacement de la cuisinière.

IMPORTANT : Tous les raccords doivent être bien serrés à l'aide d'une clé. Ne pas serrer excessivement la connexion sur le détendeur. Un serrage excessif pourrait provoquer une fissuration du détendeur et une fuite de gaz. Lors du serrage des raccords, empêcher le détendeur de tourner ou de bouger.

- Robinet d'arrêt nécessaire : Procéder à l'installation d'une vanne de fermeture manuelle pour la conduite de gaz dans un endroit facile d'accès. Ne pas entraver l'accès au robinet d'arrêt manuel. Le robinet permet d'ouvrir ou de fermer l'alimentation en gaz de la cuisinière.



A. Canalisation de gaz
B. Robinet d'arrêt en position ouverte
C. Vers la cuisinière

†TEFLON® est une marque déposée de Chemours.

Détendeur

Le détendeur fourni avec cette cuisinière doit être utilisé. La pression d'alimentation du détendeur doit respecter les indications suivantes pour obtenir un fonctionnement correct :

Gaz naturel :

Pression minimale : 5 po (12,7 cm) de colonne d'eau

Pression maximale : 14 po (35,6 cm) de colonne d'eau

Gaz propane :

Pression minimale : 10 po (25,4 cm) de colonne d'eau

Pression maximale : 14 po (35,6 cm) de colonne d'eau

En cas d'incertitude quant à la pression d'alimentation à établir, contacter le fournisseur de gaz local.

Débit thermique des brûleurs – Altitude

Les débits thermiques indiqués sur la plaque signalétique correspondent à une altitude d'utilisation inférieure à 2 000 pi (609,6 m).

Lorsque l'appareil est utilisé à une altitude supérieure à 2 000 pi (609,6 m), on doit réduire le débit thermique indiqué de 4 % pour chaque tranche de 1 000 pi (304,8 m) au-dessus du niveau de la mer (non applicable au Canada).

Essai de pression de la canalisation de gaz

On doit tester le détendeur sous une pression supérieure d'au moins 1 po (2,5 cm) à la pression de la tubulure de distribution indiquée sur la plaque signalétique.

Mise sous pression à une pression supérieure à 1/2 lb/po² (3,5 kPa) (14 po [35,6 cm] de colonne d'eau)

Lors de tout test de mise sous pression de ce système à une pression supérieure à 1/2 lb/po² (3,5 kPa), on doit déconnecter la cuisinière et son robinet d'arrêt individuel de la canalisation de gaz.

Mise sous pression à une pression de 1/2 lb/po² (3,5 kPa) (14 po [35,6 cm] de colonne d'eau) ou moins

Lors de tout test de mise sous pression de la canalisation de gaz à une pression égale ou inférieure à 1/2 lb/po² (3,5 kPa), on doit isoler la cuisinière de la canalisation de gaz par fermeture de son robinet d'arrêt manuel individuel.

INSTRUCTIONS D'INSTALLATION

Déballage de la cuisinière

⚠ AVERTISSEMENT

Risque du poids excessif

Utiliser deux ou plus de personnes pour déplacer et installer la cuisinière.

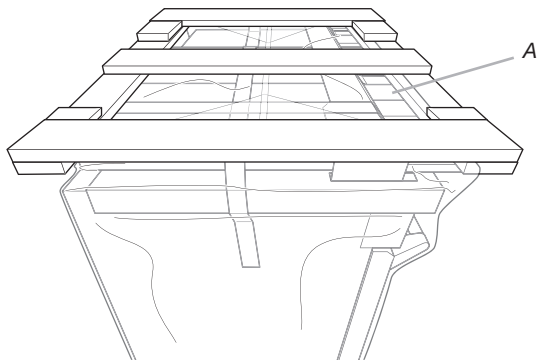
Le non-respect de cette instruction peut causer une blessure au dos ou d'autre blessure.

Ôter les matériaux d'emballage, le ruban adhésif et la pellicule protectrice de la cuisinière. Maintenir la palette d'expédition sous la cuisinière. Retirer les grilles de four et le sachet de pièces de l'intérieur du four. Retirer les grilles du dessus du four.

Retirer la plinthe

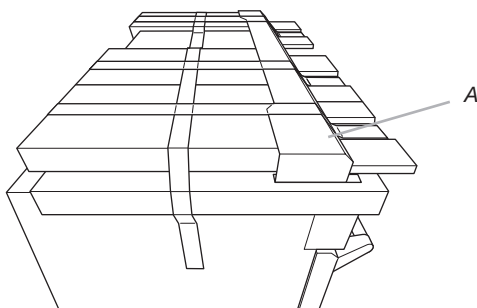
1. La plinthe de votre cuisinière est emballée sur le dessus de l'appareil.
 - a. Enlever la plinthe du dessus de la cuisinière et de l'emballage.

À l'intérieur de l'emballage



A. Plinthe

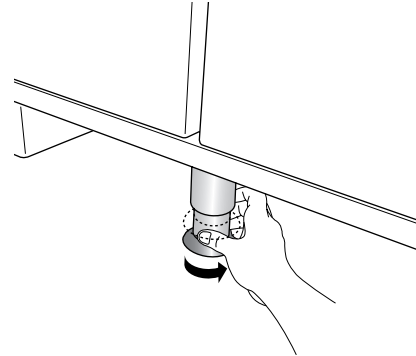
Emballage enlevé



A. Plinthe

- b. Placer la plinthe de côté pour éviter les rayures.

2. Pour les modèles de 48 po (121,9 cm) uniquement, faire pivoter le support central dans le sens antihoraire pour le dégager de la palette jusqu'à la butée.



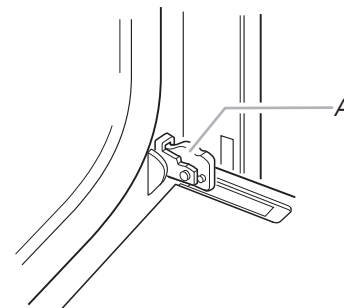
REMARQUE : Ce support est utilisé uniquement pour l'expédition et n'est pas nécessaire à l'installation.

3. Disposer un morceau de carton provenant de l'emballage sur le plancher derrière la cuisinière. À deux personnes ou plus, saisir fermement chaque côté de la cuisinière. Soulever la cuisinière d'environ 3 po (8,0 cm) et la déplacer vers l'arrière jusqu'à la faire descendre de la palette d'expédition. Installer la cuisinière sur le carton pour éviter d'endommager le plancher.

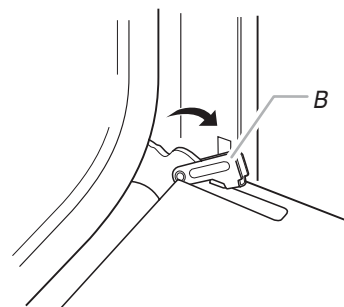
Retirer la porte

Retrait des portes

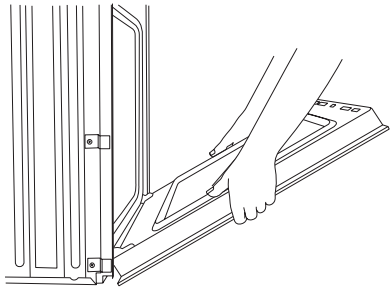
- Ne pas retirer les cales d'espacement latérales de porte avant que la cuisinière ne soit prête pour l'installation. Si on retire les cales d'espacement de la porte, celle-ci pourrait se déplacer et endommager le loquet de porte.
- Ne pas soulever ou déplacer la cuisinière par les poignées de la porte ou le panneau de commande.
- Avant d'installer la cuisinière, vous devrez retirer les portes du four. Préparer une surface où l'on pourra déposer les portes. Cette surface doit être plate et recouverte d'une couverture douce. On peut aussi utiliser les cornières de l'emballage.



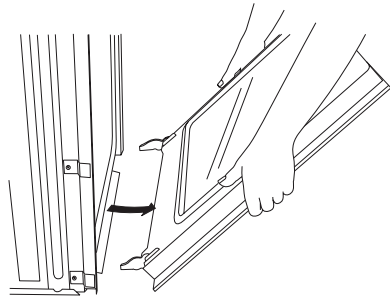
A. Charnière de la porte du four en position de verrouillage.



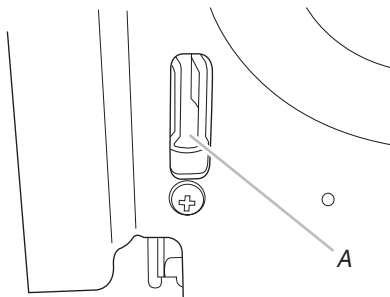
B. Charnière de la porte du four en position de déverrouillage.



Fermer partiellement la porte pour engager les loquets de la gâche de porte. La porte restera bloquée à cette position.



Retirer et remettre en place les portes du four avec les deux mains. Vous devrez peut-être basculer doucement la porte d'un côté et de l'autre.



A. Encoche située dans le châssis du four pour le loquet de charnière de la porte.

Réinstallation de la porte

- Pour remettre en place les portes du four, identifier les encoches pour les loquets de charnière situées dans la cavité du four, puis répéter les étapes précédentes dans l'ordre inverse. S'assurer que la porte ferme correctement et qu'il n'y a pas de blocage au niveau du loquet de la porte. Si nécessaire, retirer la porte et répéter les étapes précédentes. Si la cuisinière est connectée à une source d'alimentation électrique, ouvrir et fermer la porte pour s'assurer que la lampe du four s'allume et s'éteint convenablement.
- La cuisinière est équipée de pieds et de roulettes de nivellement. Une fois que l'on a retiré la cuisinière de la palette d'expédition, s'assurer que les pieds de nivellement ne sont pas en contact avec le sol, et utiliser les roulettes pour déplacer la cuisinière en position. Toujours couvrir la surface du sol pour éviter d'endommager le sol. Ne pas faire rouler la cuisinière directement sur le sol.

Installation de la bride antibasculement

⚠ AVERTISSEMENT



Risque de basculement

Un enfant ou une personne adulte peut faire basculer la cuisinière, ce qui peut causer un décès.

Fixer la bride antibasculement au plancher ou au mur, conformément aux instructions d'installation.

Faire glisser de nouveau la cuisinière de façon à ce que le pied arrière de la cuisinière se trouve dans la fente de la bride antibasculement.

Réengager la bride antibasculement si la cuisinière a été déplacée.

Ne pas faire fonctionner la cuisinière si la bride antibasculement n'est pas installée et engagée.

Le non-respect de ces instructions peut causer un décès ou des brûlures graves aux enfants et aux adultes.

1. Déterminer la méthode de montage à utiliser : au plancher ou au mur.
Pour un plancher en pierre ou en briquetage, on peut utiliser la méthode de montage au mur.
2. Déterminer et marquer l'axe central de l'espace à découper. On doit installer la bride de montage du côté gauche de la découpe. Placer la bride de montage dans l'ouverture découpée comme indiqué dans l'illustration suivante.

Mesure B :

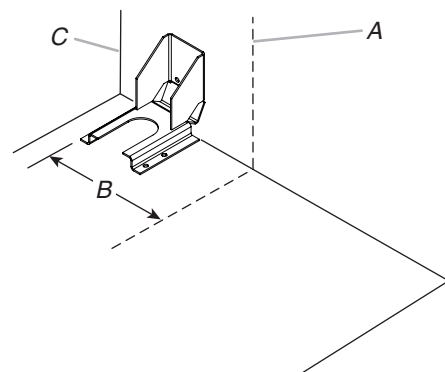
Cuisinières de 30 po (76,2 cm) : 13 po (33,0 cm)

Cuisinières de 36 po (91,4 cm) : 16 po (40,6 cm)

Cuisinières de 48 po (121,9 cm) : 22 po (55,9 cm)

Mesure C :

Distance optionnelle du mur arrière. Si le mur arrière est fabriqué d'un matériau combustible et qu'aucun dossier n'est installé, un dégagement minimal de 6 po (15,2 cm) est nécessaire pour tous les modèles. Adapter l'installation de la bride antibasculement.



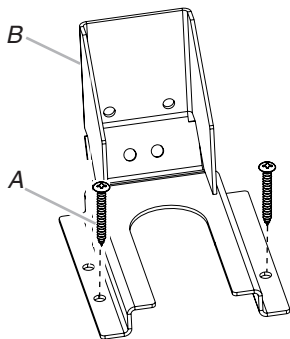
A. Axe central

B. Axe central de l'ouverture découpée jusqu'au bord extérieur de la bride antibasculement.

C. Mur arrière au dos de la cuisinière

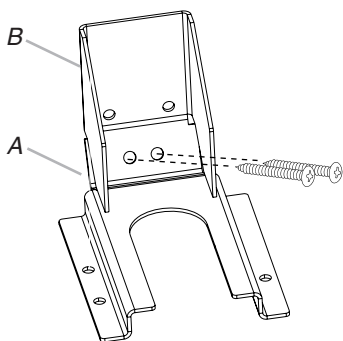
- Percer deux trous de 1/8 po (3,0 mm) qui correspondent aux trous de la bride selon la méthode de montage déterminée. Voir les illustrations suivantes.

Montage au plancher



A. vis no 12 x 1 5/8 po (4,1 cm)
B. Bride antibasculement

Montage mural



A. vis no 12 x 1 5/8 po (4,1 cm)
B. Bride antibasculement

- Utiliser un tournevis cruciforme pour visser la bride antibasculement au mur ou au plancher à l'aide de deux vis no 12 x 1 5/8 po (4,1 cm) incluses.

En fonction de l'épaisseur du plancher, des vis plus longues peuvent s'avérer nécessaires pour fixer la bride au sous-plancher. Des vis plus longues sont offertes chez votre quincaillerie locale.

- Déplacer la cuisinière suffisamment près de l'ouverture pour pouvoir effectuer les raccordements électriques. Retirer la plaque de transport, le carton ou le panneau de fibres dur de sous la cuisinière.
- Poursuivre l'installation de la cuisinière en utilisant les instructions d'installation suivantes.

Raccordement au gaz

⚠ AVERTISSEMENT



Risque d'explosion

Utiliser une canalisation neuve d'arrivée de gaz approuvée par la CSA International.

Installer un robinet d'arrêt.

Bien serrer chaque organe de connexion de la canalisation de gaz.

En cas de connexion au gaz propane, demander à une personne qualifiée de s'assurer que la pression de gaz ne dépasse pas 14 po (36 cm) de la colonne d'eau.

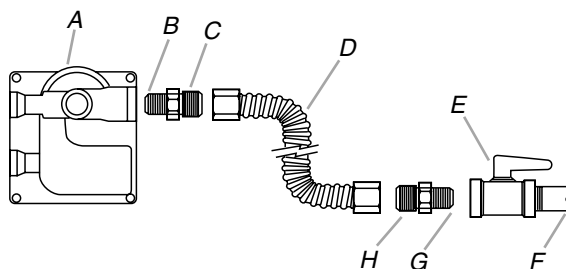
Par personne qualifiée, on comprend :

le personnel autorisé de chauffage,
le personnel autorisé d'une compagnie de gaz, et
le personnel d'entretien autorisé.

Le non-respect de ces instructions peut causer un décès, une explosion ou un incendie.

- Assembler le connecteur flexible de la canalisation d'alimentation en gaz sur le régulateur de pression situé au milieu de la cuisinière.
- Appliquer de la pâte à joint conçue pour une utilisation avec le gaz propane sur les plus petits embouts avec filetage des adaptateurs de connecteur flexible. (Voir B et G sur l'illustration qui suit.)
- Fixer un raccord d'adaptation sur le détendeur et l'autre raccord d'adaptation sur le robinet d'arrêt de la canalisation de gaz. Serrer les deux adaptateurs en veillant à ne pas déplacer ni faire tourner le détendeur.
- Utiliser une clé mixte de 15/16 po (2,4 cm) et une pince multiprise pour fixer l'alimentation flexible de gaz sur les adaptateurs. S'assurer que le raccord n'est pas déformé.

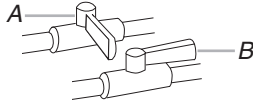
IMPORTANT : Tous les raccords doivent être bien serrés à l'aide d'une clé. Ne pas serrer excessivement la connexion sur le détendeur. Un serrage excessif pourrait provoquer une fissuration du détendeur et une fuite de gaz. Lors du serrage des raccords, empêcher le détendeur de tourner ou de bouger.



- | | |
|---|---|
| A. Détendeur | E. Robinet d'arrêt manuel |
| B. Utiliser un composé d'étanchéité des tuyauteries. | F. Conduite de gaz de 1/2 po (1,3 cm) ou 3/4 po (1,9 cm). |
| C. Raccord d'adaptation (doit posséder un filetage mâle 1/2 po [1,3 cm] pour tuyauterie). | G. Utiliser un composé d'étanchéité des tuyauteries. |
| D. Raccord flexible | H. Adaptateur |

Achever le raccordement

1. Ouvrir le robinet d'arrêt manuel sur la canalisation d'alimentation en gaz. Le robinet est ouvert lorsque la poignée est parallèle au tuyau de gaz.



A. Robinet fermé
B. Robinet ouvert

2. Vérifier tous les raccordements en les badigeonnant d'une solution de détection des fuites non corrosive approuvée. L'apparition de bulles indique une fuite. Réparer toutes les fuites.
3. Ôter les chapeaux de brûleur de la cuisinière et les grilles du sachet de pièces. Placer les chapeaux de brûleur sur les bases de brûleur. Placer les grilles sur les brûleurs et chapeaux.

⚠ AVERTISSEMENT



Risque de choc électrique

Brancher sur une prise à 3 alvéoles reliée à la terre.

Ne pas enlever la broche de liaison à la terre.

Ne pas utiliser un adaptateur.

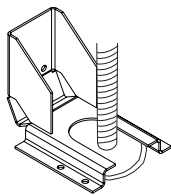
Ne pas utiliser un câble de rallonge.

Le non-respect de ces instructions peut causer un décès, un incendie ou un choc électrique.

4. Brancher sur une prise de courant à 3 alvéoles, reliée à la terre.
5. Ouvrir la source d'alimentation. Pour plus de renseignements, consulter les instructions pour l'utilisateur dans le Guide d'utilisation et d'entretien.

Vérification de l'emplacement de la bride antibasculement

1. À l'aide d'une clé à molette ou d'une douille de 5/16 po (7,9 mm), tourner les quatre tiges de nivellement d'un tour complet pour soulever la cuisinière et fournir suffisamment de dégagement pour que le pied de nivellement arrière puisse pénétrer dans la bride antibasculement.

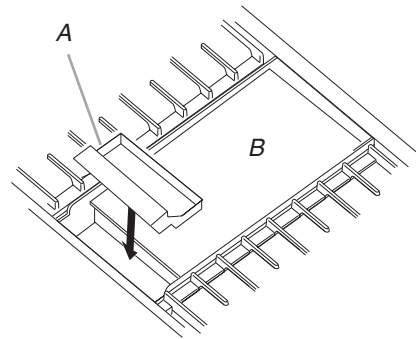


2. Déplacer la cuisinière dans son emplacement final en s'assurant que le pied de nivellement arrière glisse dans la bride antibasculement.
3. Utiliser une lampe de poche pour regarder sous la cuisinière et vérifier que le pied arrière de la cuisinière est inséré dans la fente de la bride antibasculement.

Installer le plateau d'égouttement (sur modèles avec plaque à frire)

La plaque à frire est installée à l'usine.

1. Placer le plateau d'égouttement dans la cavité à l'avant de la plaque à frire. Faire glisser le plateau vers l'arrière jusqu'à la position de butée.



A. Plateau d'égouttement de la plaque à frire
B. Plaque à frire

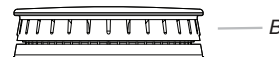
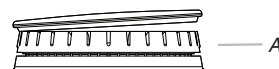
2. Nettoyer la plaque à frire avant de l'utiliser. Consulter le Guide d'utilisation et d'entretien.

Système d'allumage électronique

Installer les chapeaux de brûleur

Placer les chapeaux de brûleurs sur la tête des brûleurs. Si les chapeaux de brûleur ne sont pas correctement installés, les brûleurs de surface ne s'allumeront pas.

Brûleurs



A. Incorrect
B. Correct

Allumage initial et réglage des flammes de gaz

À la place de flammes de veille, les brûleurs de la cuisinière sont dotés d'un allumeur électronique. Lorsqu'on place le bouton de commande de la cuisinière à n'importe quelle position, le système génère une étincelle pour allumer le brûleur. Les étincelles continuent d'être générées jusqu'à ce que la flamme soit allumée ou que le bouton soit tourné sur OFF (arrêt).

REMARQUE : L'allumage des brûleurs prend plus de temps la première fois. Cela permet au gaz d'arriver aux brûleurs lors de la première utilisation.

Contrôle du fonctionnement des brûleurs de la cuisinière

Enfoncer et faire tourner le bouton de commande du brûleur à la position

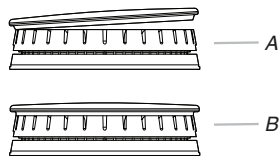
REMARQUE : Un déclic retentit lorsque la canalisation se vide.

Les brûleurs de surface et les flammes du grill doivent s'allumer en 4 secondes. Lors de l'allumage initial du brûleur, le délai d'allumage peut être supérieur à 4 secondes du fait de la présence d'air dans la canalisation de gaz.

Après avoir vérifié le bon fonctionnement du brûleur, tourner les boutons de commande à OFF (arrêt).

Si les brûleurs ne s'allument pas correctement :

- Tourner le bouton de commande de la cuisinière à la position OFF (arrêt).
- Vérifier que la cuisinière est branchée et le disjoncteur n'est pas ouvert ou qu'un fusible n'a pas grillé.
- Vérifier que les robinets d'arrêt de gaz sont en position ouverts.
- Vérifier que les chapeaux de brûleur sont correctement placés sur la base des brûleurs.



A. Incorrect
B. Correct

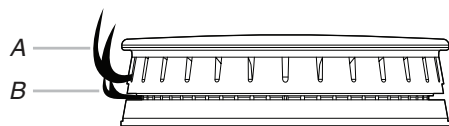
Répéter la mise en marche. Si à ce stade un brûleur ne s'allume pas, contacter le revendeur ou une entreprise de service agréée.

Hauteur de flamme

La flamme de la cuisinière doit être bleue et constante.

REMARQUE : Les hauteurs de flamme sont réglées en usine. Si elles ne semblent pas correctes, contacter votre fournisseur de services.

Brûleur



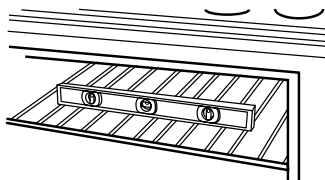
A. Flamme supérieure (principale)
B. Flamme inférieure (mijotage)

REMARQUE : Brûleur double superposé présenté.

Ajustement de l'aplomb de la cuisinière

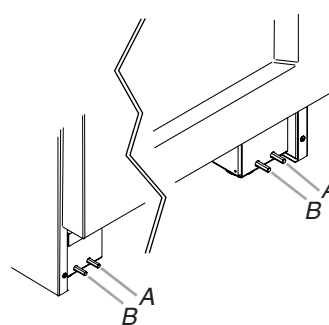
REMARQUE : La cuisinière doit être d'aplomb pour que les résultats de cuisson au four soient satisfaisants.

1. Placer la grille dans le four.
2. Placer un niveau sur la grille et contrôler l'aplomb de la cuisinière, d'abord transversalement, puis dans le sens avant/arrière.



3. Si la cuisinière n'est pas d'aplomb, ajuster les tiges de nivellement. À l'aide d'une clé, tourner les tiges de nivellement situées derrière la plinthe pour mettre la cuisinière d'aplomb et pour soulever ou abaisser la cuisinière à la hauteur de plan de travail désirée.

REMARQUE : Aucun patin à roulettes ne doit être en contact avec le sol lors de l'installation finale.



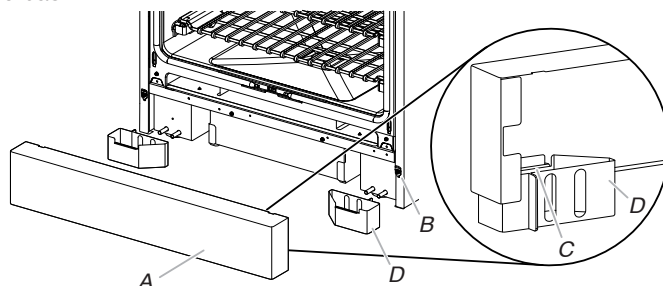
A. Tige de nivellement arrière
B. Tige de nivellement avant

REMARQUE : Tourner dans le sens horaire fait monter l'appareil, tourner dans le sens antihoraire le fait baisser.

Installer la plinthe

REMARQUE : La porte doit être enlevée pour enlever ou replacer la plinthe. Consulter la section « Retirer la porte ».

Aligner la plinthe sur les fentes pour plinthe et la pousser vers le bas.



A. Plinthe
B. Onglet de plinthe
C. Fente de plinthe
D. Pieds

Terminer l'installation

1. Vérifier que toutes les pièces sont maintenant installées. S'il reste une pièce, passer en revue les différentes étapes pour découvrir laquelle aurait été oubliée.
2. Vérifier la présence de tous les outils.
3. Éliminer/recycler tous les matériaux d'emballage.
4. Pour utiliser et nettoyer le four, lire le Guide d'utilisation et d'entretien.

Contrôle du fonctionnement du/des four(s)

1. Mettre l'appareil sous tension.
2. Lancer un programme de cuisson au four. Consulter le Guide d'utilisation et d'entretien pour obtenir des instructions détaillées.

Si le(s) four(s) ne fonctionne(nt) pas, contrôler ce qui suit :

- Le fusible domestique est intact et bien visé ou le disjoncteur n'est pas ouvert.
 - La prise de courant est correctement alimentée.
 - Voir la section « Dépannage » dans le Guide d'utilisation et d'entretien.
3. Après 10 à 15 minutes de fonctionnement du four, ouvrir la porte du four et voir s'il y a de la chaleur. Si aucune chaleur n'est perceptible, éteindre le four et contacter un technicien qualifié.

Pour obtenir de l'assistance ou une visite de service :

Consulter la section « Assistance ou service » du Guide d'utilisation et d'entretien ou contacter le marchand chez qui vous avez acheté votre cuisinière.

CONVERSIONS POUR CHANGEMENT DE GAZ

IMPORTANT : L'opération de conversion de l'appareil (pour l'alimentation au gaz propane au lieu du gaz naturel) doit être exécutée par un installateur qualifié.

⚠ AVERTISSEMENT



Risque d'explosion

Utiliser une canalisation neuve d'arrivée de gaz approuvée par la CSA International.

Installer un robinet d'arrêt.

Bien serrer chaque organe de connexion de la canalisation de gaz.

En cas de connexion au gaz propane, demander à une personne qualifiée de s'assurer que la pression de gaz ne dépasse pas 14 po (36 cm) de la colonne d'eau.

Par personne qualifiée, on comprend :

le personnel autorisé de chauffage,
le personnel autorisé d'une compagnie de gaz, et
le personnel d'entretien autorisé.

Le non-respect de ces instructions peut causer un décès, une explosion ou un incendie.

Conversion pour l'alimentation au propane

⚠ AVERTISSEMENT



Risque de basculement

Un enfant ou une personne adulte peut faire basculer la cuisinière, ce qui peut causer un décès.

Fixer la bride antibasculement au plancher ou au mur, conformément aux instructions d'installation.

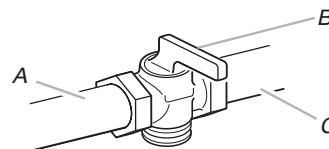
Faire glisser de nouveau la cuisinière de façon à ce que le pied arrière de la cuisinière se trouve dans la fente de la bride antibasculement.

Réengager la bride antibasculement si la cuisinière a été déplacée.

Ne pas faire fonctionner la cuisinière si la bride antibasculement n'est pas installée et engagée.

Le non-respect de ces instructions peut causer un décès ou des brûlures graves aux enfants et aux adultes.

1. Fermer le robinet d'arrêt manuel à la position fermée.



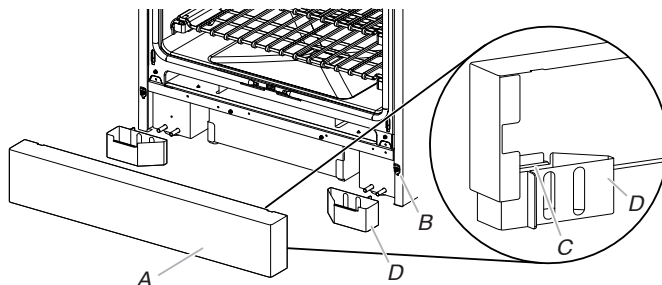
- A. Vers la cuisinière
- B. Robinet d'arrêt (position fermée)
- C. Canalisation d'alimentation en gaz

2. Débrancher la cuisinière ou déconnecter la source de courant électrique.

Conversion du détendeur du gaz naturel au gaz propane

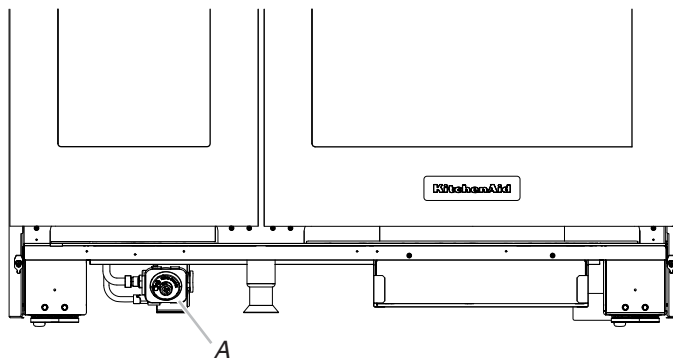
REMARQUE : La porte doit être enlevée pour enlever ou remplacer la plinthe. Consulter la section « Retirer la porte ».

1. Soulever la plinthe et le retirer des onglets de plinthe.



- A. Plinthe
- B. Onglet de plinthe
- C. Fente de plinthe
- D. Pieds

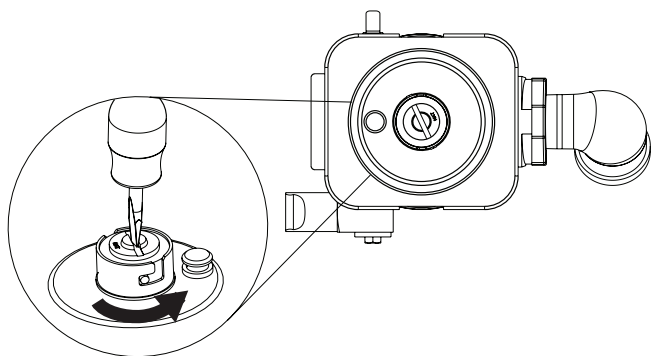
2. Placer doucement la plinthe de côté pour éviter les rayures.
3. Localiser le détendeur situé du côté arrière gauche de la cuisinière.



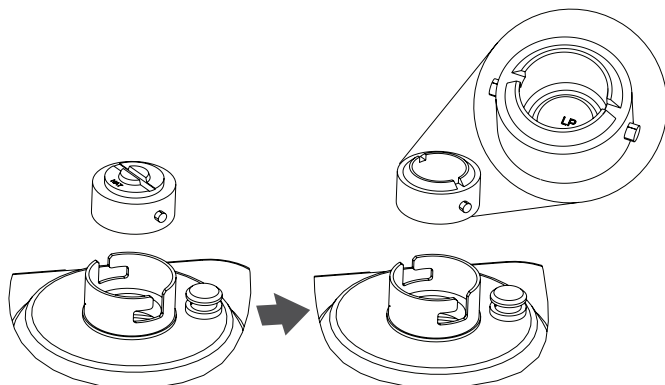
- A. Détendeur

- Retirer le chapeau du détendeur à l'aide d'un gros tournevis à lame plate en tournant le chapeau du détendeur dans le sens antihoraire.

REMARQUE : Ne pas enlever le ressort situé sous le chapeau.



- Retourner le chapeau du détendeur et le réinstaller sur le détendeur de façon à ce que l'extrémité creuse soit orientée vers l'extérieur et que les lettres « LP » (propane) soient visibles.



- Serrer le chapeau du détendeur à l'aide d'un gros tournevis à lame plate en tournant le chapeau du détendeur dans le sens horaire.
- Tester le détendeur et la canalisation de gaz.

On doit tester le détendeur sous une pression supérieure d'au moins 1 po (2,5 cm) de colonne d'eau à la pression de service. Pour le fonctionnement et le contrôle du réglage du détendeur, il faut que la pression d'admission au détendeur corresponde aux indications ci-dessous :

Gaz propane :

Pression minimum : 10 po (25,4 cm) de colonne d'eau

Pression maximum : 14 po (35,6 cm) de colonne d'eau

Essai de pression de la canalisation de gaz

On doit tester le détendeur sous une pression supérieure d'au moins 1 po (2,5 cm) à la pression de la tubulure de distribution indiquée sur la plaque signalétique.

Mise sous pression à une pression supérieure à 1/2 lb/po² (3,5 kPa) (14 po [35,6 cm] de colonne d'eau)

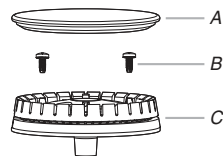
Lors de tout test de mise sous pression de ce système à une pression supérieure à 1/2 lb/po² (3,5 kPa), on doit déconnecter la cuisinière et son robinet d'arrêt individuel de la canalisation de gaz.

Mise sous pression à une pression de 1/2 lb/po² (3,5 kPa) (14 po [35,6 cm] de colonne d'eau) ou moins

Lors de tout test de mise sous pression de la canalisation de gaz à une pression égale ou inférieure à 1/2 lb/po² (3,5 kPa), on doit isoler la cuisinière de la canalisation de gaz par fermeture de son robinet d'arrêt manuel individuel.

Conversion des brûleurs de surface du gaz naturel au gaz propane

- Si les grilles de brûleur sont installées, les retirer.
- Ôter le chapeau de brûleur.
- Retirer la base du brûleur en dévissant d'abord (2) vis T-20.



Brûleur



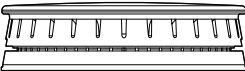
A. Chapeau de brûleur

B. Vis

C. Base du brûleur

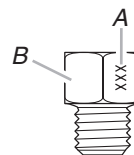
- Appliquer du ruban adhésif de masquage à l'extrémité d'un tourne-écrou de 7 mm pour retenir le gicleur du brûleur dans le tourne-écrou durant l'extraction. Insérer le tourne-écrou dans l'ouverture de gaz, appuyer sur le gicleur et le retirer en le faisant tourner dans le sens antihoraire et en le soulevant. Conserver à part l'injecteur du brûleur.
- Remplacer le gicleur par un gicleur pour gaz propane de taille correcte. Voir le « Tableau de sélection des gicleurs/injecteurs femelles pour gaz propane ». Suivre les indications du tableau ci-dessous pour déterminer l'emplacement exact de chaque gicleur de brûleur.

Tableau de sélection des gicleurs/injecteurs femelles pour gaz propane

Puissance thermique	Empreinte	Taille	Style de brûleur
4 000 BTU	63	0,63 mm	Petit brûleur 
12 000 BTU	103	1,03 mm	Brûleur moyen 
13 000 BTU	99	0,99 mm	Gros brûleur – principal
	50	0,50 mm	Gros brûleur – mijotage 

REMARQUE : Consulter la plaque signalétique pour obtenir plus de renseignements sur les capacités nominales du brûleur et les emplacements.

Gicleur de brûleur



A. Marquage pour identification de la taille

B. Marque de type de gaz (L ou N)

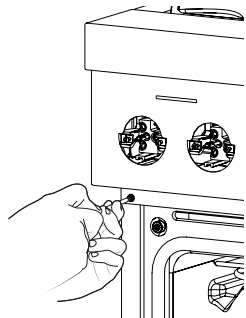
- Placer le gicleur pour gaz naturel dans le sachet en plastique contenant les pièces et conserver le tout avec le sachet de documentation pour pouvoir le réutiliser ultérieurement.

REMARQUE : Il peut y avoir des trous supplémentaires dans votre trousse.

- Réinstaller la base du brûleur et les vis. Serrer les vis jusqu'à ce que le brûleur soit en affleurement avec la surface de cuisson, pas plus. Ne pas trop serrer.
- Réinstaller le chapeau de brûleur.
- Répéter les étapes 2 à 8 pour les autres brûleurs.

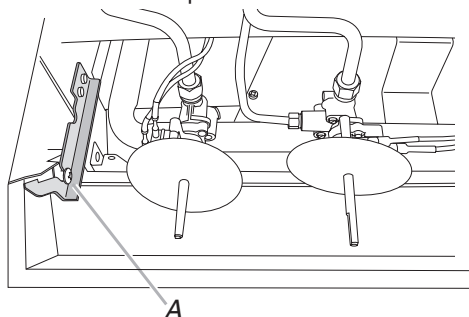
Effectuer le réglage faible de mijotage du brûleur de surface au propane

1. Débrancher la cuisinière ou déconnecter la source de courant électrique.
2. À l'aide d'un tournevis carré, retirer les boutons de commande et encadrements du brûleur de surface (les boutons de commande du four et de la plaque n'ont pas besoin d'être enlevés).
3. Ouvrir la porte du four et ôter les deux vis qui maintiennent la console de commande en place de chaque côté de la cuisinière.



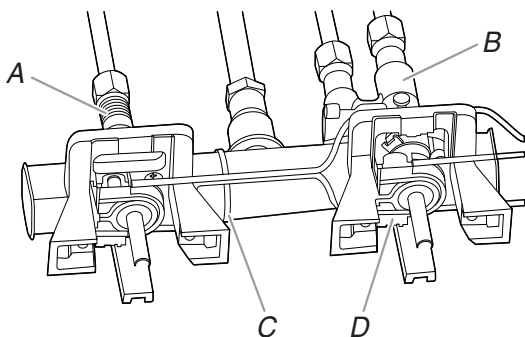
REMARQUE : Veiller à laisser la porte ouverte, sans quoi la console de commande ne reposera pas correctement sur les brides latérales une fois attachées.

4. Tirer la console de commande vers le haut et la laisser retomber vers l'avant dans les brides à encoche de la console situées de chaque côté.

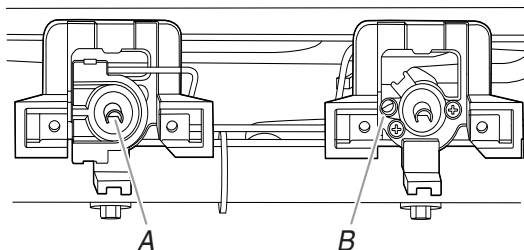


A. Bride de la console de commande

5. Trouver la vis de réglage d'intensité faible pour le brûleur approprié sur la valve. La vis de réglage d'intensité faible pour les valves des brûleurs arrière gauche, arrière droit, arrière central et avant central (aluminium) est située au centre de la tige de la valve. La vis de réglage d'intensité faible pour les valves des brûleurs avant gauche et avant droite (laiton) est située derrière le commutateur d'allumage sur le corps de la valve, à gauche de la tige. Pour retirer le commutateur d'allumage, couper l'attache mono-usage et tirer le commutateur pour le sortir de la tige de valve.



- A. Valve en aluminium pour les brûleurs arrière gauche, arrière droit, arrière central et avant central.
- B. Valve en laiton pour les brûleurs avant gauche et avant droit.
- C. Attache mono-usage
- D. Commutateur d'ignition



A. Vis de réglage d'intensité faible pour la valve en aluminium au centre de la tige.

B. Vis de réglage d'intensité faible de la valve en laiton.

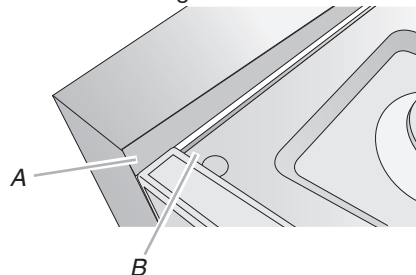
6. En plaçant le brûleur sur ON (marche) (le brûleur devra être allumé manuellement à l'aide d'un briquet) et régler sur simmer LOW (mijotage faible), régler la flamme de mijotage vers le bas pour obtenir la bonne puissance en BTU. À l'aide d'un tournevis à lame plate de 1/8 po x 4 1/4 po (3,2 mm x 10,8 cm), tourner la vis de réglage d'intensité de mijotage faible dans le sens horaire jusqu'à ce que la hauteur de la flamme se situe au niveau du chapeau ou en dessous. Si la flamme devient instable et tremblote ou semble courir autour du brûleur, le réglage est trop faible et la vis doit être tournée dans le sens antihoraire jusqu'à ce que la flamme soit stable. Répéter cette étape pour tous les brûleurs de surface.

REMARQUE : Utiliser le bouton pour régler la valve du brûleur.

REMARQUE : Régler individuellement chaque brûleur.

7. Une fois les réglages terminés, replacer les commutateurs d'allumage sur les valves.
8. Soulever la console de commande et la remettre en place. Pour que les deux soient bien emboîtées, le rebord de la console de commande doit se rabattre par-dessus la bordure de l'avant de la table de cuisson.

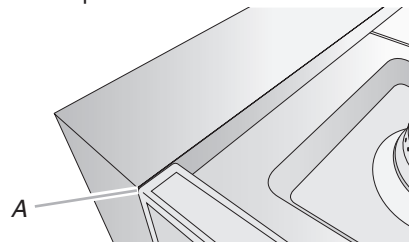
REMARQUE : Il pourrait être nécessaire de soulever les tiges de valves pour effectuer l'alignement avec les trous de la console.



A. Rebord de la console de commande

B. Bordure avant la table de cuisson de la cuisinière

9. Vérifier que la console de commande est en affleurement avec le bord supérieur de la cuisinière.

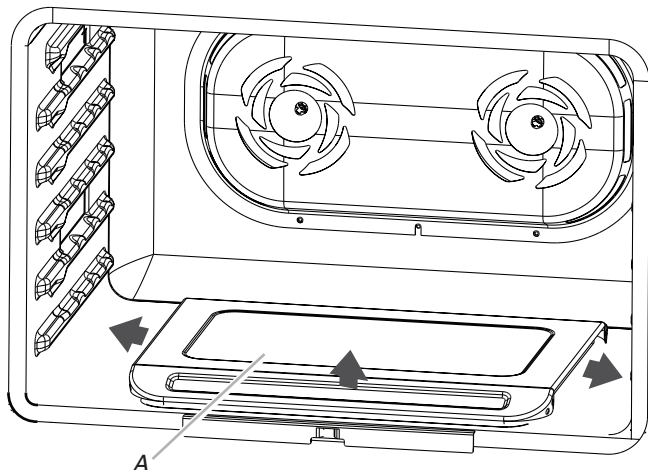


A. En affleurement avec le dessus de la cuisinière

10. Remettre en place les vis de chaque côté de la console de commande.
11. Replacer les encadrements à l'aide des 2 vis qui se fixent aux supports de valves, en s'assurant de bien placer les encadrements avant et arrière. Ils ne pourront être correctement fixés s'ils ne sont pas à la bonne place.
12. Placer les boutons de surface sur les tiges des valves.
13. Replacer les grilles des brûleurs.

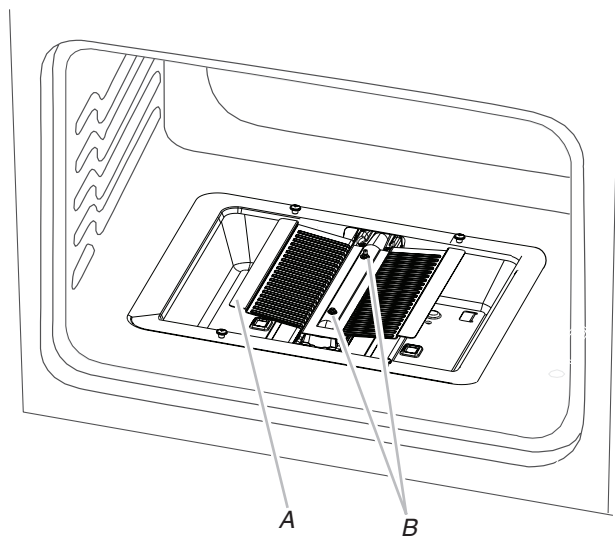
Pour convertir le brûleur de cuisson au four (modèles de 30 po [76,2 cm] et de 36 po [91,4 cm] et la cavité du four de droite sur les modèles de 48 po [121,9 cm])

1. Faire glisser le couvercle du brûleur de cuisson au four vers la droite ou vers la gauche.



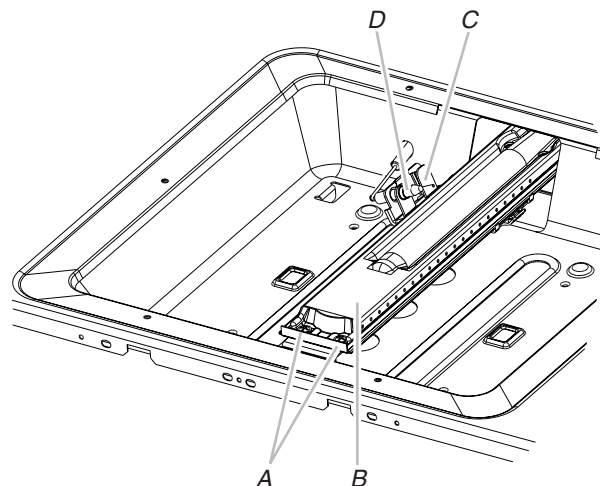
A. Couvercle du brûleur de cuisson au four

2. Retirer le couvercle de brûleur de cuisson au four en le soulevant et le mettre de côté.
3. En utilisant un tournevis à douille de 1/4 po (6,4 mm), dévisser les écrous du déflecteur du four et retirer le déflecteur du four. Réserver.



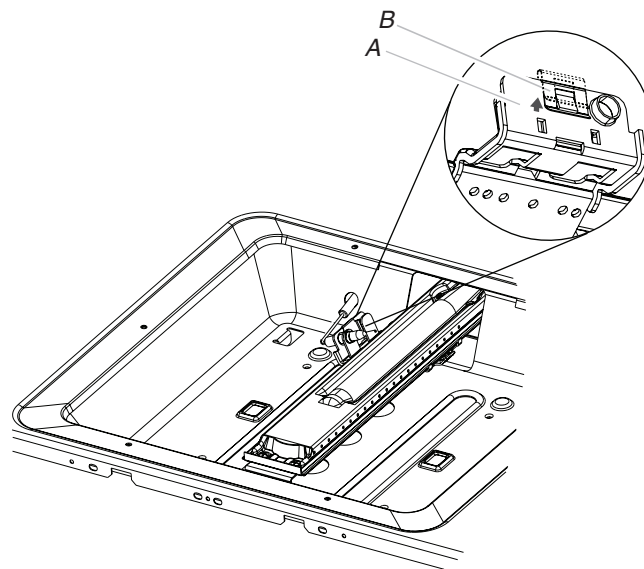
A. Déflecteur du four
B. Écrous du déflecteur du four

4. Retirer les vis du brûleur de cuisson au four et le brûleur de cuisson au four. Faire pivoter le brûleur sur 90° sur la gauche et le poser doucement sur son côté.



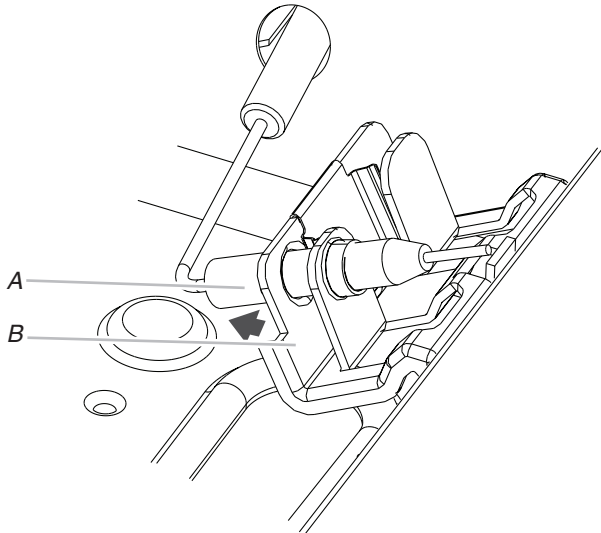
A. Vis du brûleur de cuisson au four
B. Brûleur de cuisson au four
C. Support de l'électrode du brûleur de cuisson au four
D. Électrode du brûleur de cuisson au four

5. Soulever l'attache située sur le support de l'électrode du brûleur de cuisson au four avec le doigt ou avec un tournevis plat puis retirer l'électrode.



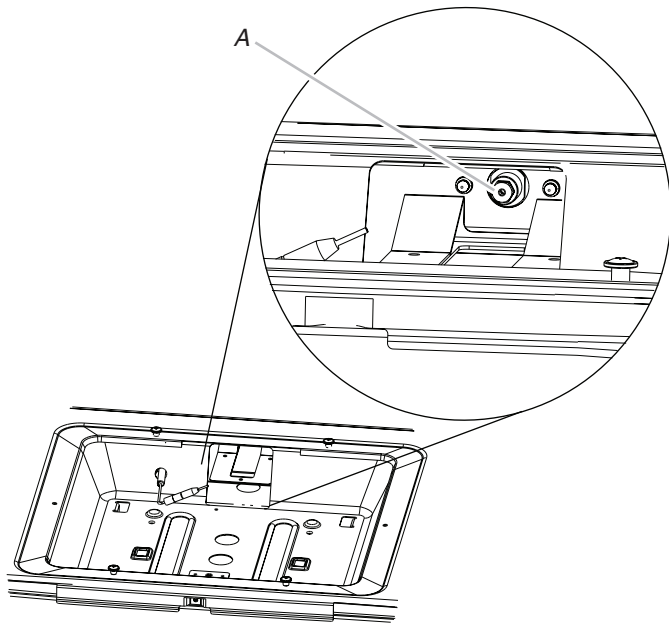
A. Support de l'électrode du brûleur de cuisson au four
B. Attache du support de l'électrode

6. Dégager l'électrode du support.



A. Saisir l'électrode ici
B. Support

7. Appliquer du ruban adhésif de masquage à l'extrémité d'un tourne-écrou de 1/4 po (6,4 mm) pour retenir le gicleur du brûleur dans le tourne-écrou durant l'extraction. Insérer le tourne-écrou dans l'ouverture de gaz, appuyer sur le gicleur et le retirer en le faisant tourner dans le sens antihoraire et en le soulevant. Conserver à part le gicleur du brûleur.

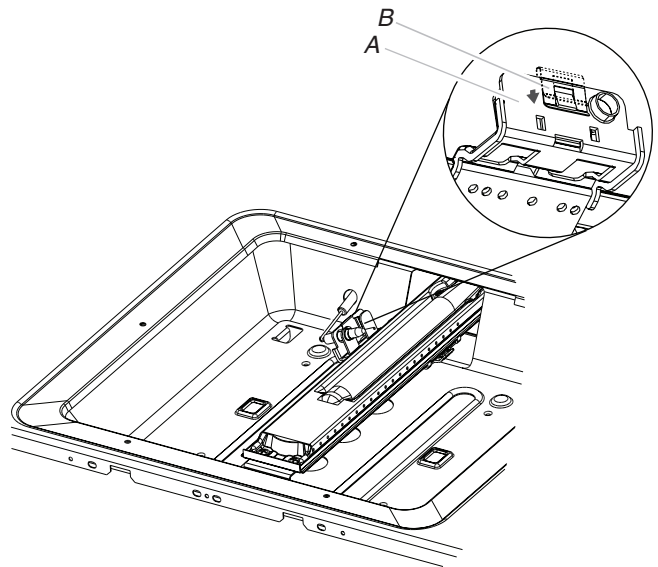


A. Injecteurs pour gaz propane

8. Chaque injecteurs pour gaz propane est marqué d'un code d'identification. Installer l'injecteur numéro 125 du brûleur de cuisson au four.

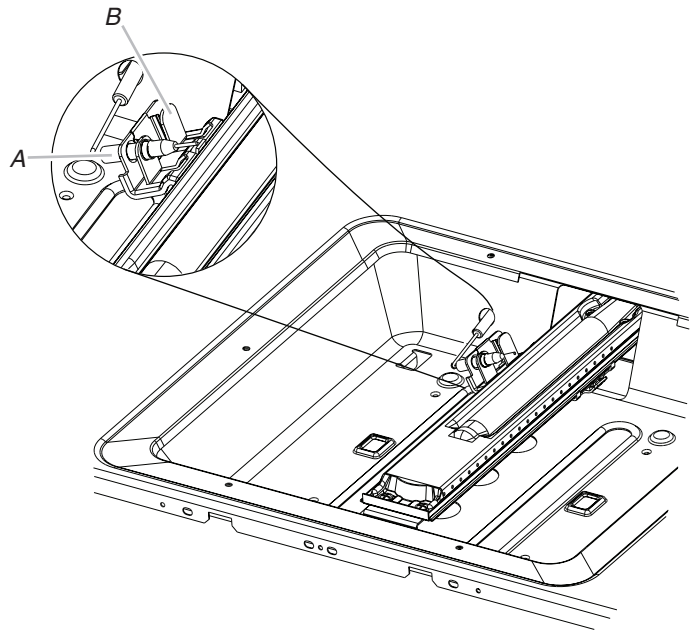
9. Placer le gicleur pour gaz naturel dans le sachet en plastique contenant les pièces et conserver le tout avec le sachet de documentation pour pouvoir le réutiliser ultérieurement.

10. Enfoncer l'attache sur le support de l'électrode.



A. Support de l'électrode du brûleur de cuisson au four
B. Attache du support de l'électrode

11. Réinstaller l'électrode du brûleur de cuisson au four à l'intérieur du support.



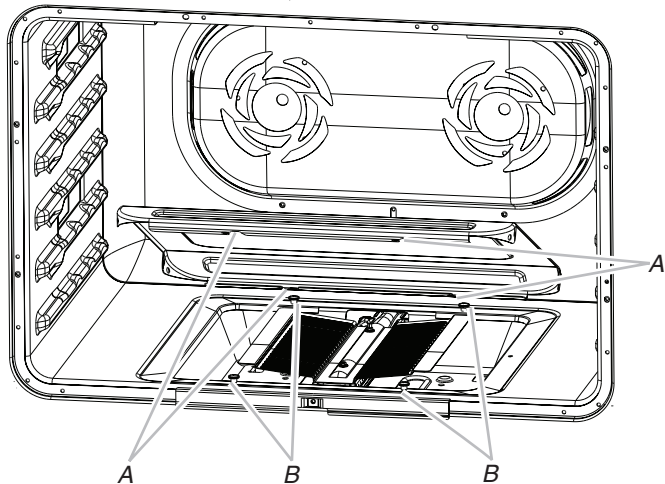
A. Électrode du brûleur de cuisson au four
B. Support de l'électrode du brûleur de cuisson au four

12. Réinstaller le brûleur de cuisson au four et les vis du brûleur de cuisson au four. Voir l'étape 4 pour l'illustration.

13. Réinstaller le déflecteur du four et les écrous du déflecteur du four. Les orifices frontaux seront alignés et un clic retentira lorsque le déflecteur est appuyé.

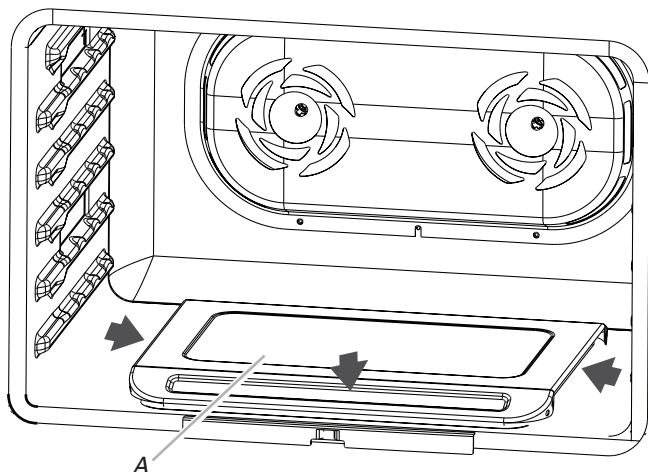
Réinstaller le couvercle du brûleur de cuisson au four

1. Aligner les encoches du couvercle du brûleur du four avec les vis à épaulement dans le fond du four.



A. Encoches de couvercle (4)
B. Vis à épaulement (4)

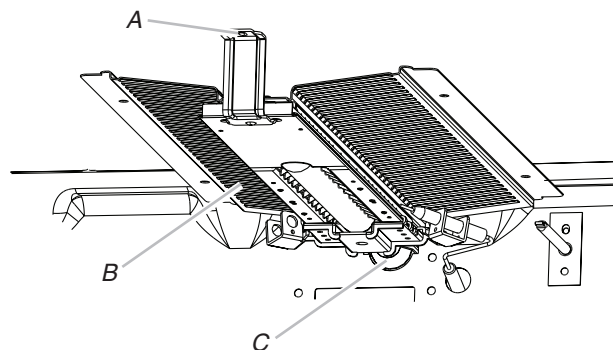
2. Abaisser le couvercle et le faire glisser vers la gauche ou vers la droite pour faire glisser les vis à épaulement dans les extrémités étroites des encoches puis emboîter le tout.



A. Encoches de couvercle (4)

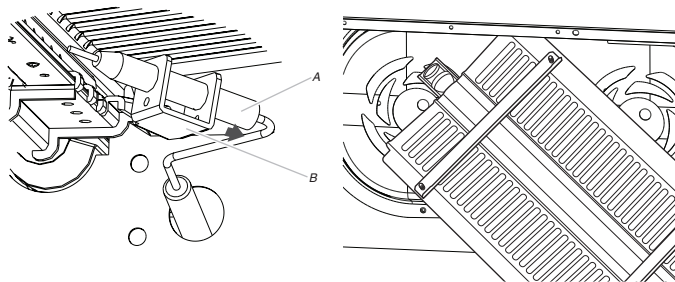
Pour convertir le brûleur de cuisson au grill (modèles de 30 po [76,2 cm] et de 36 po [91,4 cm]) et la cavité du four de droite sur les modèles de 48 po [121,9 cm])

1. En utilisant un tournevis à douille de 1/4 po (6,4 mm), retirer la vis du brûleur du grill. Placer de côté avec l'allumeur latéral placé sur la droite.



A. Vis du brûleur de cuisson au grill
B. Brûleur de cuisson au grill
C. Orifice du gicleur de brûleur de cuisson au grill

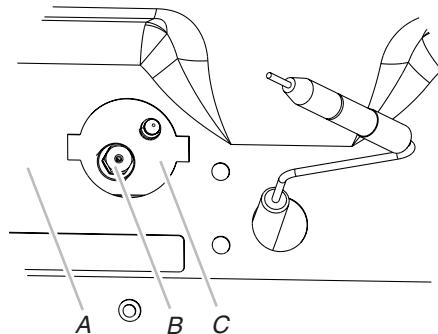
2. Tirer le brûleur de cuisson au grill vers soi jusqu'à ce qu'il ressorte de l'orifice à l'arrière du four puis dégager l'électrode du support. Le brûleur de cuisson au grill pend à l'arrière du four pendant que l'on change le gicleur.



A. Saisir l'électrode ici
B. Support

Le brûleur de grill pend à l'arrière du four

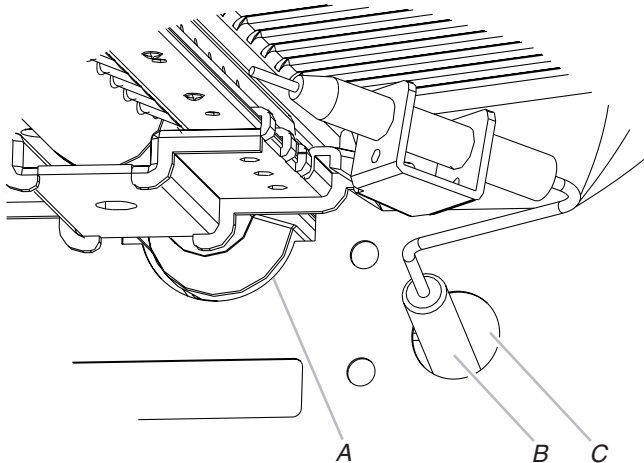
3. Appliquer du ruban adhésif de masquage à l'extrémité d'un tourne-écrou de 1/4 po (6,4 mm) pour retenir le gicleur du brûleur dans le tourne-écrou durant l'extraction. Insérer le tourne-écrou dans l'ouverture de gaz, appuyer sur le gicleur et le retirer en le faisant tourner dans le sens antihoraire et en le soulevant. Conserver à part le gicleur du brûleur.



A. Arrière du four
B. Gicleur du brûleur de cuisson au grill
C. Orifice du gicleur de brûleur de cuisson au grill

4. Chaque injecteurs pour gaz propane est marqué d'un code d'identification. Installer l'injecteur numéro 90 du brûleur de cuisson au grill.
5. Placer le gicleur pour gaz naturel dans le sachet en plastique contenant les pièces et conserver le tout avec le sachet de documentation pour pouvoir le réutiliser ultérieurement.

6. Replacer le brûleur de cuisson au grill dans l'orifice à l'arrière du four avec l'électrode du brûleur de cuisson au grill à l'intérieur de l'orifice du brûleur de cuisson au grill, tel qu'illustré.

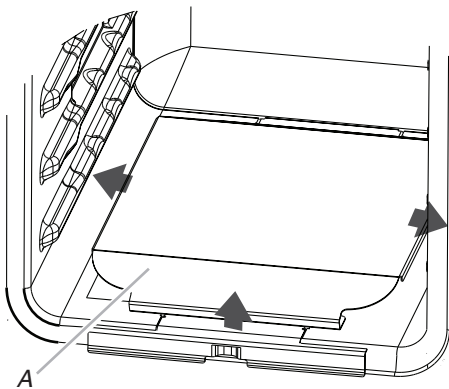


A. Orifice du gicleur de brûleur de cuisson au grill
 B. Électrode du brûleur de cuisson au grill
 C. Orifice de l'électrode du brûleur de cuisson au grill

7. Réinstaller la vis du brûleur de cuisson au grill. Voir l'étape 1 pour l'illustration. Les vis sont alignées avec l'orifice, lorsqu'un clic se fait entendre.

Pour convertir le brûleur de cuisson au four (cavité du four de gauche sur les modèles de 48 po [121,9 cm])

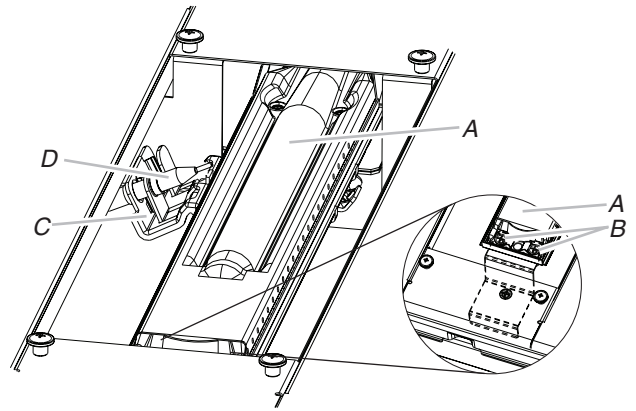
1. Ôter les grilles du four. Voir la section « Repose des grilles ».
2. Enlever la porte du four. Voir la section « Dépose de la porte du four ».
3. Faire glisser le couvercle du brûleur de cuisson au four vers la droite ou vers la gauche.



A. Brûleur de cuisson au four – couvercle

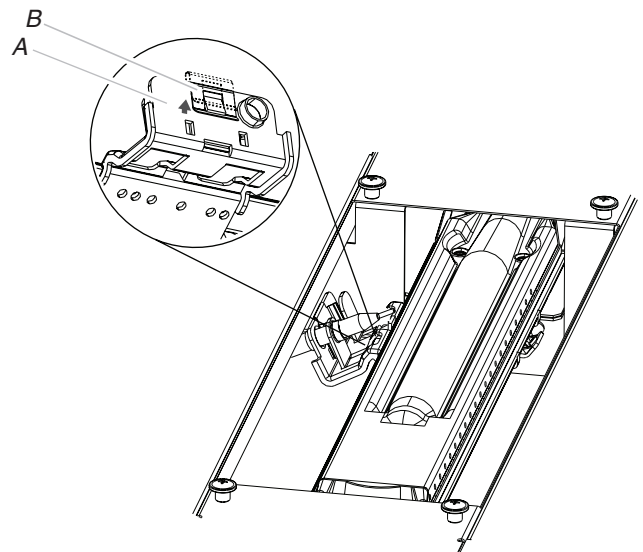
4. Retirer le couvercle de brûleur de cuisson au four en le soulevant et le mettre de côté.

5. Retirer les vis du brûleur de cuisson au four et le brûleur de cuisson au four et les mettre de côté avec précaution.



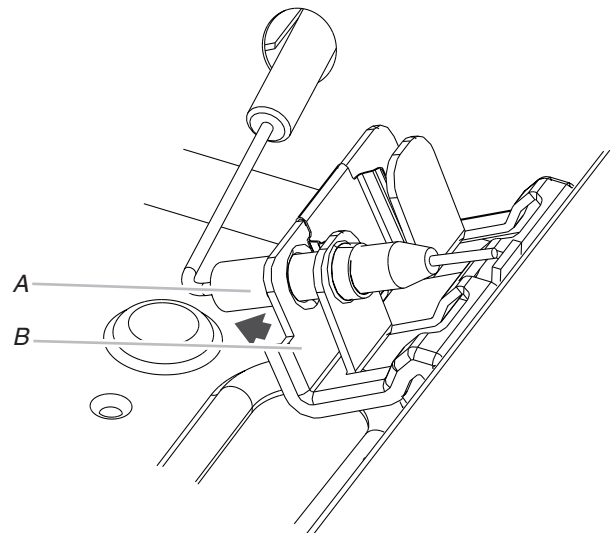
A. Brûleur de cuisson au four
 B. Vis du brûleur de cuisson au four
 C. Support de l'électrode du brûleur de cuisson au four
 D. Électrode du brûleur de cuisson au four

6. Soulever l'attache située sur le support de l'électrode du brûleur de cuisson au four avec le doigt ou avec un tournevis à lame plate.



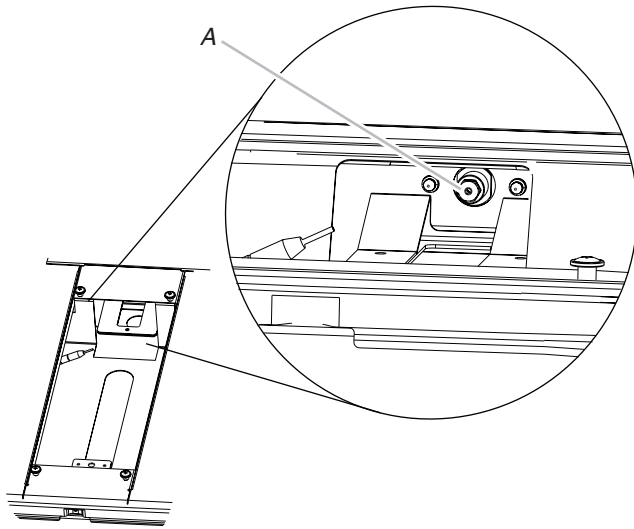
A. Support de l'électrode du brûleur de cuisson au four
 B. Attache du support de l'électrode

7. Dégager l'électrode du support.



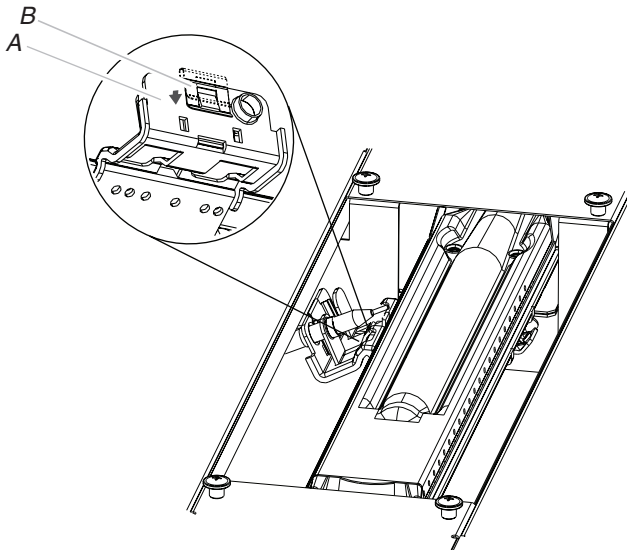
A. Saisir l'électrode ici
 B. Support

8. Appliquer du ruban adhésif de masquage à l'extrémité d'un tourne-écrou de 1/4 po (6,4 mm) mm pour retenir le gicleur du brûleur dans le tourne-écrou durant l'extraction. Insérer le tourne-écrou dans l'ouverture de gaz, appuyer sur le gicleur et le retirer en le faisant tourner dans le sens antihoraire et en le soulevant. Conserver le gicleur pour propane.



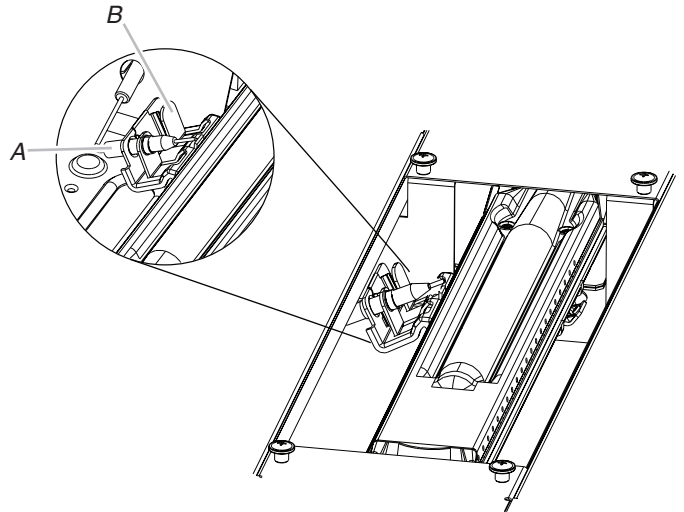
A. Injecteurs pour gaz propane

9. Chaque injecteurs pour gaz propane est marqué d'un code d'identification. Installer l'injecteur numéro 105 du brûleur de cuisson au four.
10. Placer le gicleur pour gaz naturel dans le sachet en plastique contenant les pièces et conserver le tout avec le sachet de documentation pour pouvoir le réutiliser ultérieurement.
11. Enfoncer l'attache sur le support de l'électrode.



A. Support de l'électrode du brûleur de cuisson au four
B. Attache du support de l'électrode

12. Réinstaller l'électrode du brûleur de cuisson au four à l'intérieur du support.

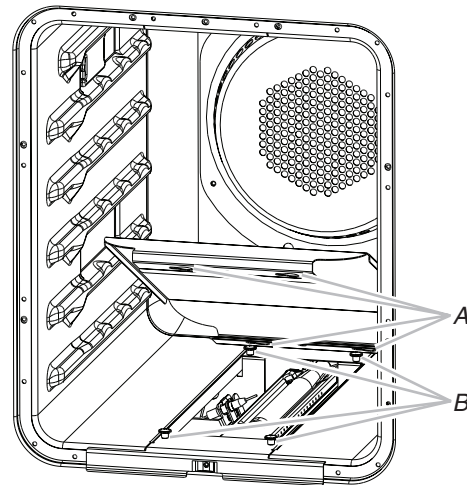


A. Électrode du brûleur de cuisson au four
B. Support de l'électrode du brûleur de cuisson au four

13. Réinstaller le brûleur de cuisson au four et les vis du brûleur de cuisson au four. Voir l'étape 5 pour l'illustration.

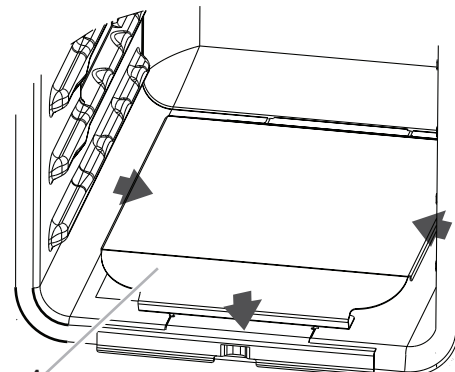
Réinstaller le couvercle du brûleur de cuisson au four

1. Aligner les trous de montage des vis arrière à épaulement (encoches allongées) du couvercle de brûleur de cuisson au four avec les vis à épaulement dans le fond du four.



A. Trous de montage (encoches allongées) de vis à épaulement
B. Vis à épaulement

2. Abaisser le couvercle et le faire glisser vers la gauche ou vers la droite pour faire glisser les vis à épaulement dans les extrémités étroites des encoches allongées puis emboîter le tout.



A. Brûleur de cuisson au four – couvercle

Terminer l'installation

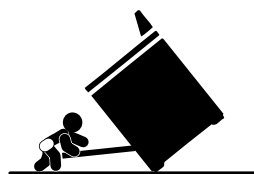
1. Consulter la section « Effectuer le raccordement au gaz » pour savoir comment bien raccorder la cuisinière à l'entrée de gaz.
2. Pour l'allumage et l'utilisation corrects du brûleur, ainsi que le réglage des flammes sur le brûleur, voir la section « Système d'allumage électronique ».

IMPORTANT : Il peut être nécessaire de modifier le réglage des flammes à la position du débit thermique minimum « LO » (basse) pour chaque brûleur de la cuisinière. Il est très important de vérifier que les flammes sont correctes sur les brûleurs de la cuisinière. Le petit cône interne doit comporter une flamme bleue très distincte de 1/4 po (6,4 mm) à 1/2 po (1,3 cm) de long. Le cône extérieur n'est pas aussi net que le cône intérieur. Les flammes produites par le gaz propane ont une pointe légèrement jaune.

3. Voir le point « Terminer l'installation » de la section « Instructions d'installation » du présent manuel pour achever cette procédure.

Conversion au gaz naturel

⚠ AVERTISSEMENT



Risque de basculement

Un enfant ou une personne adulte peut faire basculer la cuisinière, ce qui peut causer un décès.

Fixer la bride antibasculement au plancher ou au mur, conformément aux instructions d'installation.

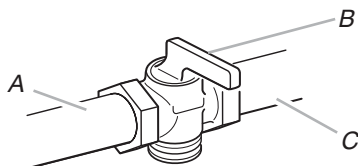
Faire glisser de nouveau la cuisinière de façon à ce que le pied arrière de la cuisinière se trouve dans la fente de la bride antibasculement.

Réengager la bride antibasculement si la cuisinière a été déplacée.

Ne pas faire fonctionner la cuisinière si la bride antibasculement n'est pas installée et engagée.

Le non-respect de ces instructions peut causer un décès ou des brûlures graves aux enfants et aux adultes.

1. Fermer le robinet d'arrêt manuel à la position fermée.



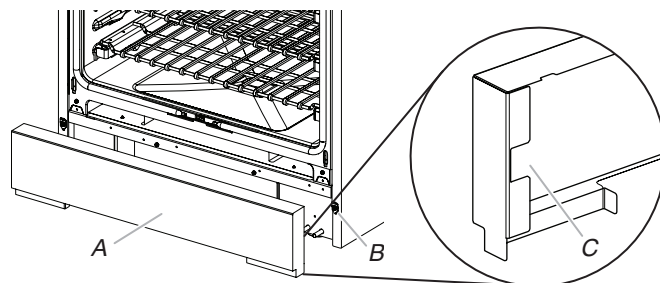
- A. Vers la cuisinière
- B. Robinet d'arrêt (position fermée)
- C. Canalisation d'alimentation en gaz

2. Débrancher la cuisinière ou déconnecter la source de courant électrique.

Conversion du détendeur du gaz propane au gaz naturel

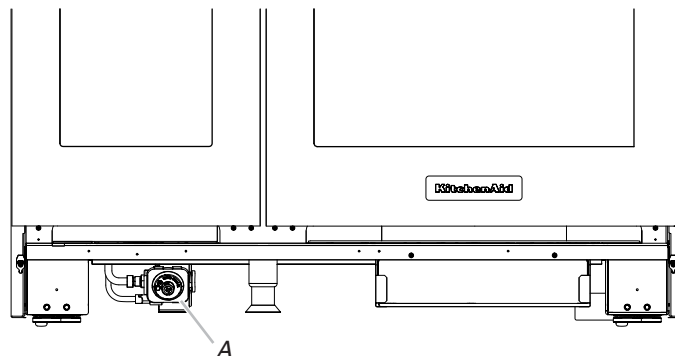
REMARQUE : La porte doit être enlevée pour enlever ou replacer la plinthe. Consulter la section « Retirer la porte ».

1. Soulever la plinthe et le retirer des onglets de plinthe.



- A. Plinthe
- B. Onglet de plinthe
- C. Fente de plinthe

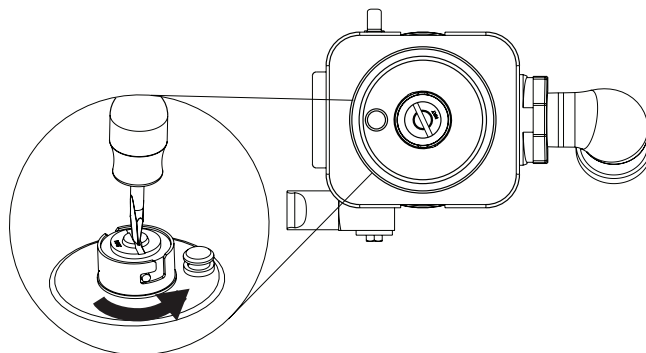
2. Placer la plinthe sur le côté avec précaution pour éviter d'érafler l'acier inoxydable.
3. Localiser le détendeur situé du côté arrière gauche de la cuisinière.



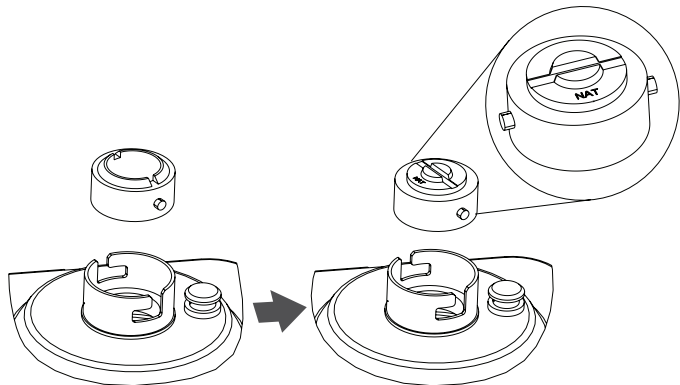
A. Détendeur

4. Retirer le chapeau du détendeur à l'aide d'un gros tournevis à lame plate en tournant le chapeau du détendeur dans le sens antihoraire.

REMARQUE : Ne pas enlever le ressort situé sous le chapeau.



- Retourner le chapeau du détendeur et le réinstaller sur le détendeur de façon à ce que l'extrémité creuse soit orientée vers l'extérieur et que les lettres « NAT » (naturel) soient visibles.



- Serrer le chapeau du détendeur à l'aide d'un gros tournevis à lame plate en tournant le chapeau du détendeur dans le sens horaire.
- Tester le détendeur et la canalisation de gaz.

On doit tester le détendeur sous une pression supérieure d'au moins 1 po (2,5 cm) à la pression de réglage. Pour le fonctionnement et le contrôle du réglage du détendeur, il faut que la pression d'admission au détendeur corresponde aux indications ci-dessous :

Gaz naturel :

Pression minimum : 5 po (12,7 cm) de colonne d'eau

Pression maximum : 14 po (35,6 cm) de colonne d'eau

Essai de pression de la canalisation de gaz

On doit tester le détendeur sous une pression supérieure d'au moins 1 po (2,5 cm) à la pression de la tubulure de distribution indiquée sur la plaque signalétique.

Mise sous pression à une pression supérieure à 1/2 lb/po² (3,5 kPa) (14 po [35,6 cm] de colonne d'eau)

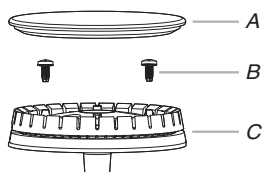
Lors de tout test de mise sous pression de ce système à une pression supérieure à 1/2 lb/po² (3,5 kPa), on doit déconnecter la cuisinière et son robinet d'arrêt individuel de la canalisation de gaz.

Mise sous pression à une pression de 1/2 lb/po² (3,5 kPa) (14 po [35,6 cm] de colonne d'eau) ou moins

Lors de tout test de mise sous pression de la canalisation de gaz à une pression égale ou inférieure à 1/2 lb/po² (3,5 kPa), on doit isoler la cuisinière de la canalisation de gaz par fermeture de son robinet d'arrêt manuel individuel.

Conversion des brûleurs de surface du gaz propane au gaz naturel

- Si les grilles de brûleur sont installées, les retirer.
- Ôter le chapeau de brûleur.
- Retirer la base du brûleur en dévissant d'abord (2) vis T-20.



Brûleur

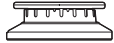
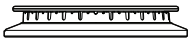
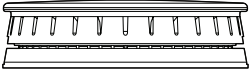
- A. Chapeau de brûleur
B. Vis
C. Base du brûleur

- Appliquer du ruban adhésif de masquage à l'extrémité d'un tourne-écrou de 7 mm pour retenir le gicleur du brûleur dans le tourne-écrou durant l'extraction. Insérer le tourne-écrou dans l'ouverture de gaz, appuyer sur le gicleur et le retirer en le faisant tourner dans le sens antihoraire et en le soulevant. Conserver le gicleur pour propane.

- Remplacer le gicleur par un gicleur pour gaz naturel de taille correcte. Voir le « Tableau de sélection des gicleurs/injecteurs femelles pour gaz naturel ».

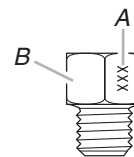
Suivre les indications du tableau ci-dessous pour déterminer l'emplacement exact de chaque gicleur de brûleur.

Tableau de sélection des gicleurs/injecteurs femelles pour gaz naturel

Puissance thermique	Empreinte	Taille	Style de brûleur
5 000 BTU	99	0,99 mm	Petit brûleur 
15 000 BTU	175	1,75 mm	Brûleur moyen 
20 000 BTU	203 78	2,03 mm 0,78 mm	Grand brûleur – principal Grand brûleur – mijotage 

REMARQUE : Consulter la plaque signalétique pour obtenir plus de renseignements sur les capacités nominales du brûleur et les emplacements.

Gicleur de brûleur



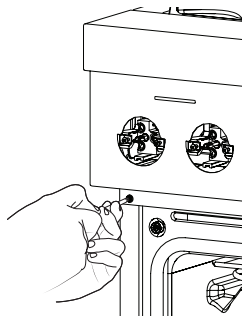
A. Marquage pour identification de la taille

B. Marque de type de gaz (L ou N)

- Placer l'injecteur pour gaz propane dans le sachet en plastique contenant les pièces et conserver le tout avec le sachet de documentation pour pouvoir le réutiliser ultérieurement.
- Réinstaller la base du brûleur et les vis. Serrer les vis jusqu'à ce que le brûleur soit en affleurement avec la surface de cuisson, pas plus. Ne pas trop serrer.
- Réinstaller le chapeau de brûleur.
- Répéter les étapes 2 à 8 pour les autres brûleurs.

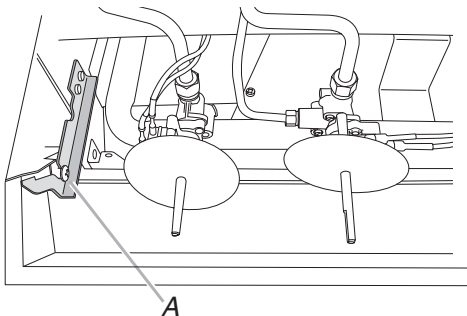
Effectuer le réglage faible de mijotage du brûleur de surface au gaz naturel

1. Débrancher la cuisinière ou déconnecter la source de courant électrique.
2. À l'aide d'un tournevis carré, retirer les boutons de commande et encadrements du brûleur de surface (les boutons de commande du four et de la plaque n'ont pas besoin d'être enlevés).
3. Ouvrir la porte du four et ôter les deux vis qui maintiennent la console de commande en place de chaque côté de la cuisinière.



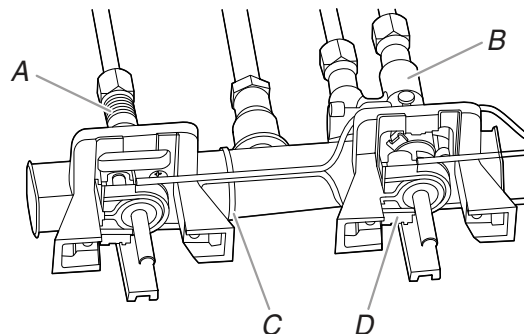
REMARQUE : Veiller à laisser la porte ouverte, sans quoi la console de commande ne reposera pas correctement sur les brides latérales une fois attachées.

4. Tirer la console de commande vers le haut et la laisser retomber vers l'avant dans les brides à encoche de la console situées de chaque côté.

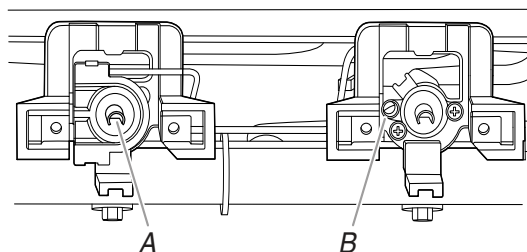


A. Bride de la console de commande

5. Trouver la vis de réglage d'intensité faible pour le brûleur approprié sur la valve. La vis de réglage d'intensité faible pour les valves des brûleurs arrière gauche, arrière droit, arrière central et avant central (aluminium) est située au centre de la tige de la valve. La vis de réglage d'intensité faible pour les valves des brûleurs avant gauche et avant droite (laiton) est située derrière le commutateur d'allumage sur le corps de la valve, à gauche de la tige. Pour retirer le commutateur d'allumage, couper l'attache mono-usage et tirer le commutateur pour le sortir de la tige de valve.



- A. Valve en aluminium pour les brûleurs arrière gauche, arrière droit, arrière central et avant central.
B. Valve en laiton pour les brûleurs avant gauche et avant droit.
C. Attache mono-usage
D. Commutateur d'ignition



- A. Vis de réglage d'intensité faible pour la valve en aluminium au centre de la tige.
B. Vis de réglage d'intensité faible de la valve en laiton.

6. En plaçant le brûleur sur ON (marche) (le brûleur devra être allumé manuellement à l'aide d'un briquet) et régler sur simmer LOW (mijotage faible), régler la flamme de mijotage vers le bas pour obtenir la bonne puissance en BTU. À l'aide d'un tournevis à lame plate de 1/8 po x 4 1/4 po (3,2 mm x 10,8 cm), tourner la vis de réglage d'intensité de mijotage faible dans le sens antihoraire jusqu'à ce que la hauteur de la flamme se situe au niveau du chapeau ou en dessous. Si la flamme devient instable et tremblote ou semble courir autour du brûleur, le réglage est trop faible et la vis doit être tournée dans le sens antihoraire jusqu'à ce que la flamme soit stable. Répéter cette étape pour tous les brûleurs de surface.

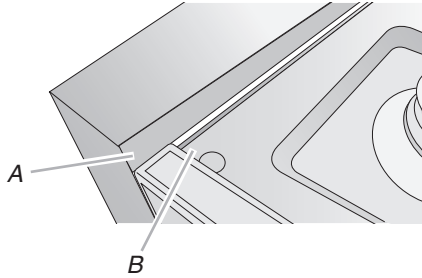
REMARQUE : Utiliser le bouton pour régler la valve du brûleur.

REMARQUE : Régler individuellement chaque brûleur.

7. Une fois les réglages terminés, remplacer les commutateurs d'allumage sur les valves.

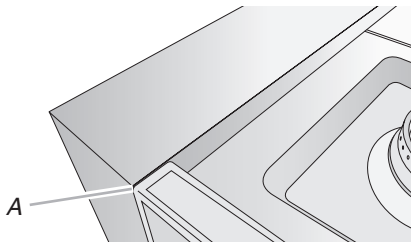
8. Soulever la console de commande et la remettre en place. Pour que les deux soient bien emboîtées, le rebord de la console de commande doit se rabattre par-dessus la bordure de l'avant de la table de cuisson.

REMARQUE : Il pourrait être nécessaire de soulever les tiges de valves pour effectuer l'alignement avec les trous de la console.



A. Rebord de la console de commande
B. Bordure avant la table de cuisson de la cuisinière

9. Vérifier que la console de commande est en affleurement avec le bord supérieur de la cuisinière.

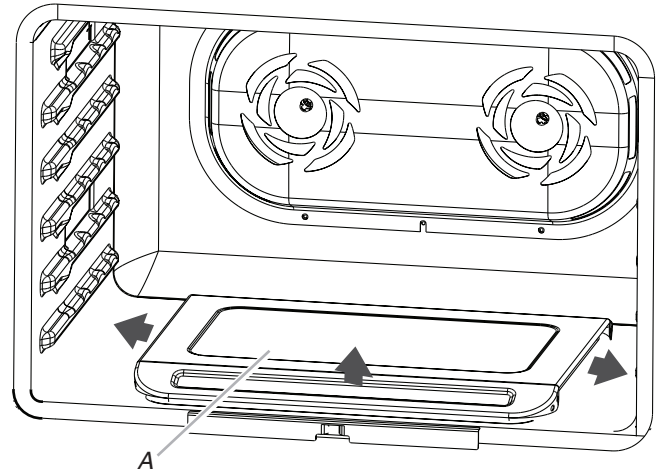


A. En affleurement avec le dessus de la cuisinière

10. Remettre en place les vis de chaque côté de la console de commande.
11. Replacer les encadrements à l'aide des 2 vis qui se fixent aux supports de valves, en s'assurant de bien placer les encadrements avant et arrière. Ils ne pourront être correctement fixés s'ils ne sont pas à la bonne place.
12. Placer les boutons de surface sur les tiges des valves.
13. Replacer les grilles des brûleurs.

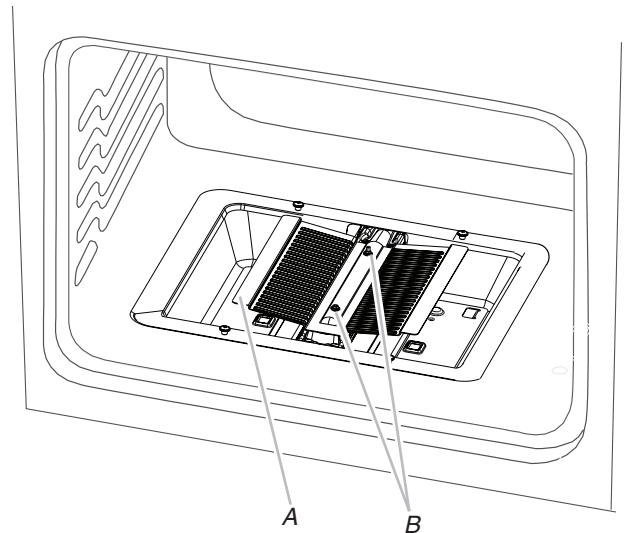
Pour convertir le brûleur de cuisson au four (modèles de 30 po [76,2 cm] et de 36 po [91,4 cm] et la cavité du four de droite sur les modèles de 48 po [121,9 cm])

1. Faire glisser le couvercle du brûleur de cuisson au four vers la droite ou vers la gauche.



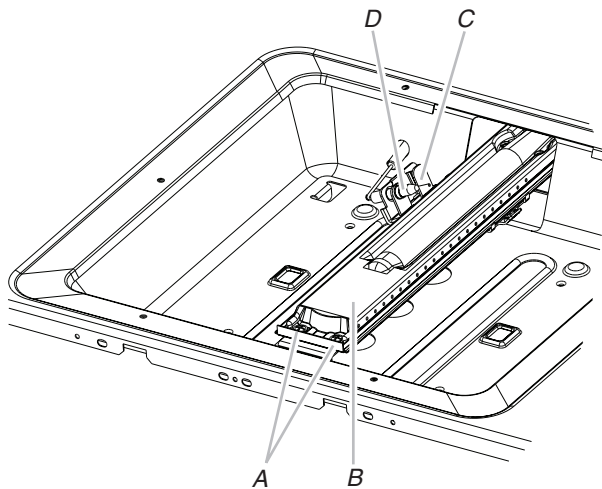
A. Couvercle du brûleur de cuisson au four

2. Retirer le couvercle de brûleur de cuisson au four en le soulevant et le mettre de côté.
3. En utilisant un tournevis à douille de 1/4 po (6,4 mm), dévisser les écrous du déflecteur du four et retirer le déflecteur du four. Réserver.



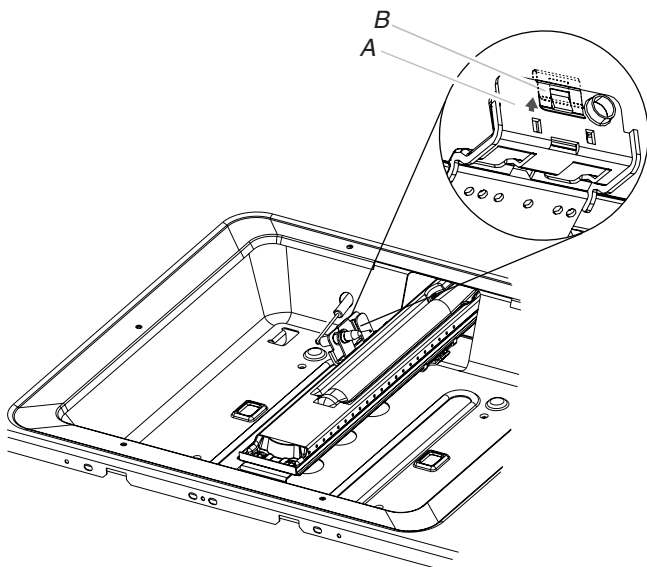
A. Déflecteur du four
B. Écrous du déflecteur du four

4. Retirer les vis du brûleur de cuisson au four et le brûleur de cuisson au four et les mettre de côté avec précaution.



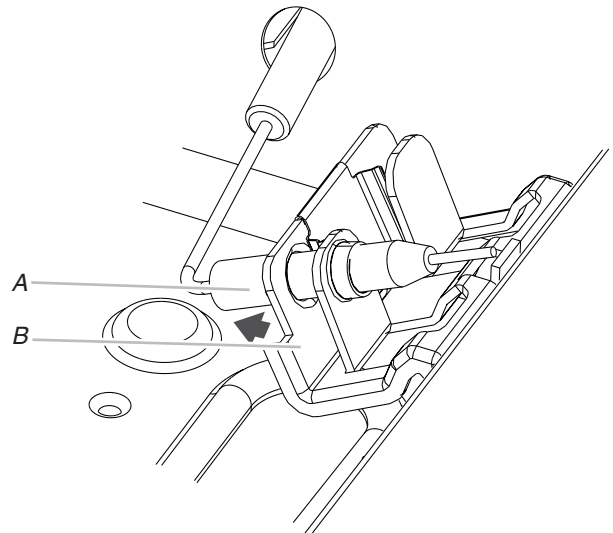
- A. Vis du brûleur de cuisson au four
 B. Brûleur de cuisson au four
 C. Support de l'électrode du brûleur de cuisson au four
 D. Électrode du brûleur de cuisson au four

5. Soulever l'attache située sur le support de l'électrode du brûleur de cuisson au four avec le doigt ou avec un tournevis à lame plate puis retirer l'électrode.



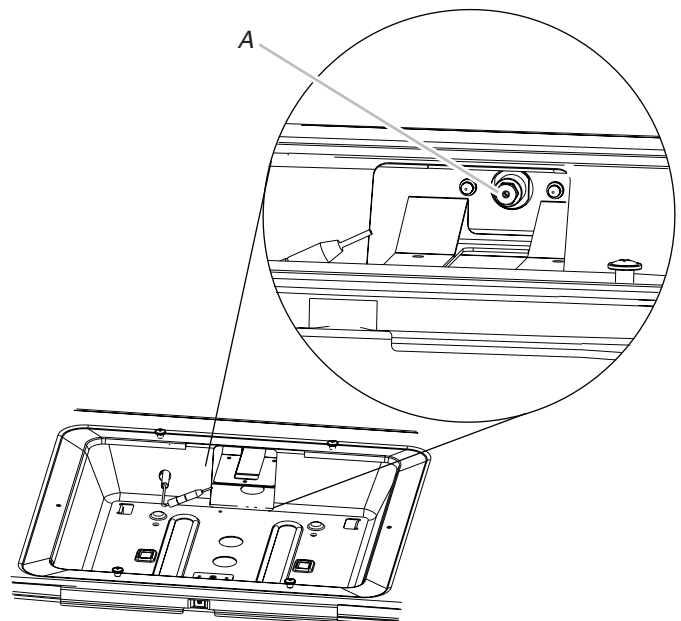
- A. Support de l'électrode du brûleur de cuisson au four
 B. Attache du support de l'électrode

6. Dégager l'électrode du support.



- A. Saisir l'électrode ici
 B. Support

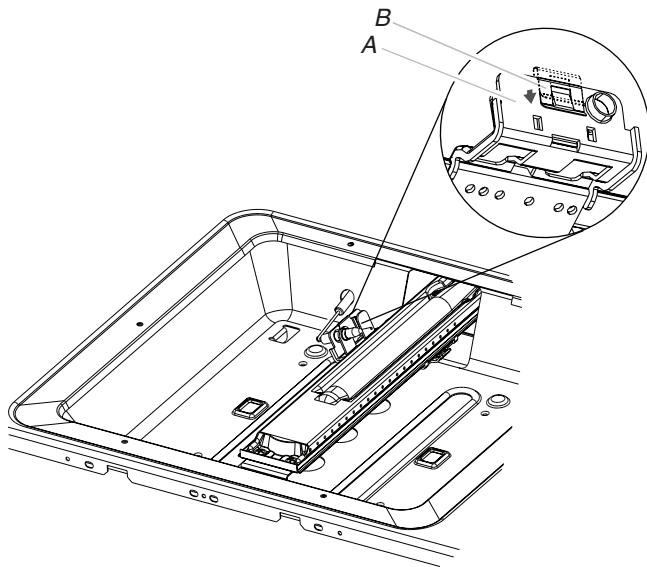
7. Appliquer du ruban adhésif de masquage à l'extrémité d'un tourne-écrou de 1/4 po (6,4 mm) mm pour retenir le gicleur du brûleur dans le tourne-écrou durant l'extraction. Insérer le tourne-écrou dans l'ouverture de gaz, appuyer sur le gicleur et le retirer en le faisant tourner dans le sens antihoraire et en le soulevant. Conserver le gicleur pour propane.



- A. Injecteurs pour gaz propane

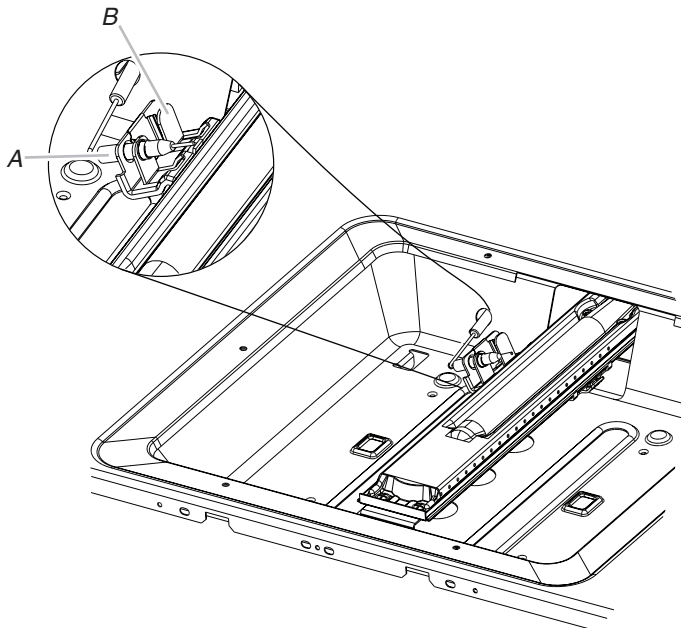
8. Chaque injecteurs pour gaz naturel est marqué d'un code d'identification. Installer l'injecteur numéro 189 du brûleur de cuisson au four.
 9. Placer le gicleur pour gaz propane dans le sachet en plastique contenant les pièces et conserver le tout avec le sachet de documentation pour pouvoir le réutiliser ultérieurement.

10. Enfoncer l'attache sur le support de l'électrode.



A. Support de l'électrode du brûleur de cuisson au four
B. Attache du support de l'électrode

11. Réinstaller l'électrode du brûleur de cuisson au four à l'intérieur du support.



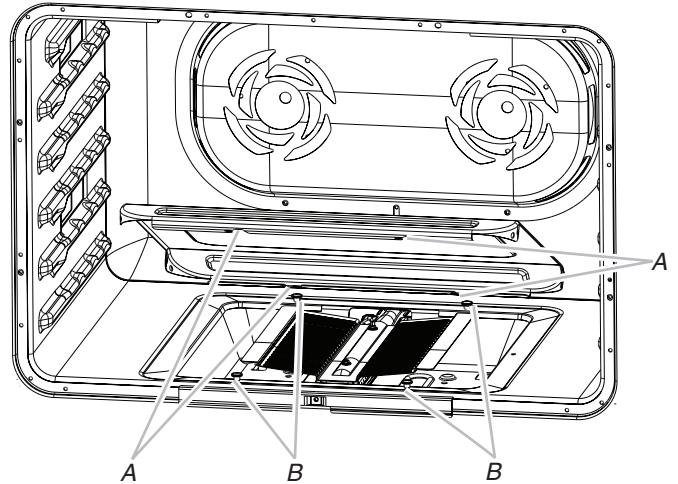
A. Électrode du brûleur de cuisson au four
B. Support de l'électrode du brûleur de cuisson au four

12. Réinstaller le brûleur de cuisson au four et les vis du brûleur de cuisson au four. Voir l'étape 4 pour l'illustration.

13. Réinstaller le déflecteur du four et les écrous du déflecteur du four. Les orifices frontaux seront alignés et un clic retentira lorsque le déflecteur est appuyé.

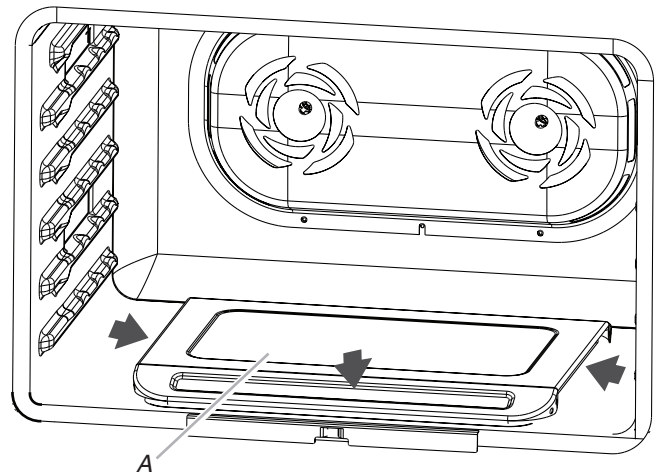
Réinstaller le couvercle du brûleur de cuisson au four

1. Aligner les encoches du couvercle du brûleur du four avec les vis à épaulement dans le fond du four.



A. Encoches de couvercle (4)
B. Vis à épaulement (4)

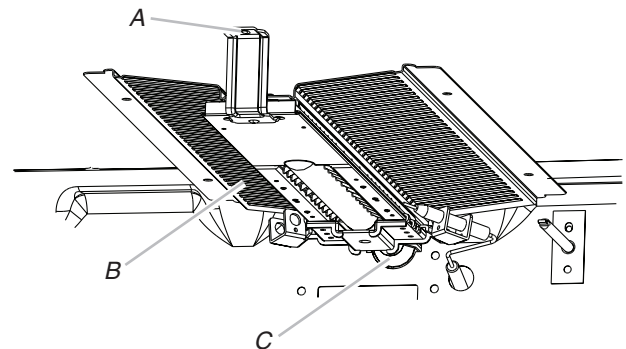
2. Abaisser le couvercle et le faire glisser vers la gauche ou vers la droite pour faire glisser les vis à épaulement dans les extrémités étroites des encoches puis emboîter le tout.



A. Encoches de couvercle (4)

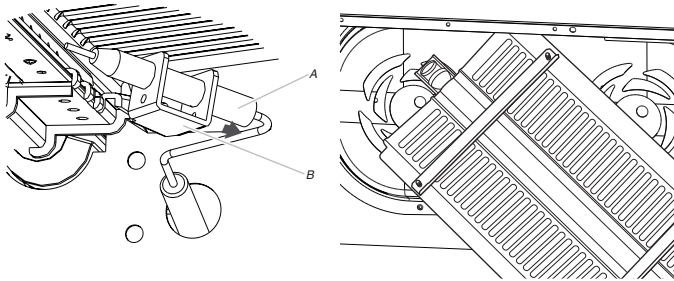
Pour convertir le brûleur de cuisson au grill (modèles de 30 po [76,2 cm] et de 36 po [91,4 cm] et la cavité du four de droite sur les modèles de 48 po [121,9 cm])

1. En utilisant un tournevis à douille de 1/4 po (6,4 mm), retirer la vis du brûleur du grill. Placer de côté avec l'allumeur latéral placé sur la droite.



A. Vis du brûleur de cuisson au grill
B. Brûleur de cuisson au grill
C. Orifice du gicleur de brûleur de cuisson au grill

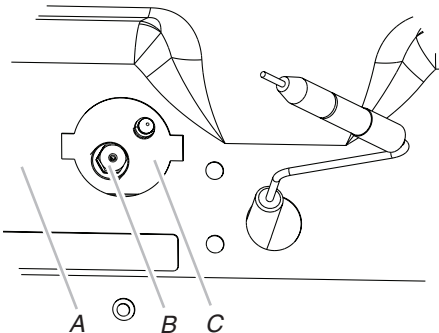
2. Tirer le brûleur de cuisson au grill vers soi jusqu'à ce qu'il ressorte de l'orifice à l'arrière du four puis dégager l'électrode du support. Le brûleur de cuisson au grill pend à l'arrière du four pendant que l'on change le gicleur.



A. Saisir l'électrode ici
B. Support

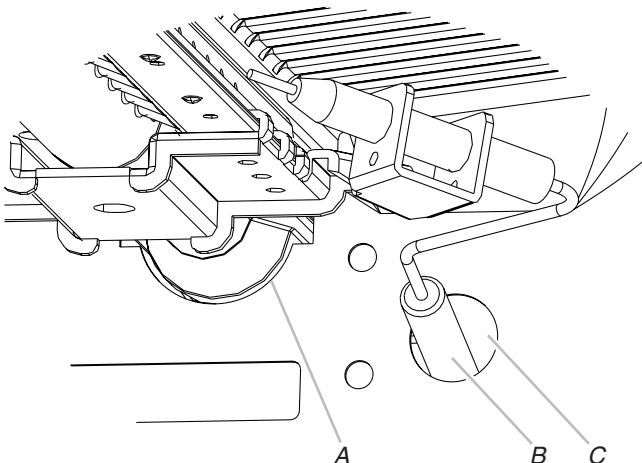
Le brûleur de grill pend à l'arrière du four

3. Appliquer du ruban adhésif de masquage à l'extrémité d'un tourne-écrou de 1/4 po (6,4 mm) mm pour retenir le gicleur du brûleur dans le tourne-écrou durant l'extraction. Insérer le tourne-écrou dans l'ouverture de gaz, appuyer sur le gicleur et le retirer en le faisant tourner dans le sens antihoraire et en le soulevant. Conserver le gicleur pour propane.



A. Arrière du four
B. Gicleur du brûleur de cuisson au grill
C. Orifice du gicleur de brûleur de cuisson au grill

4. Chaque injecteurs pour gaz naturel est marqué d'un code d'identification. Installer l'injecteur numéro 148 du brûleur de cuisson au four.
5. Placer le gicleur pour gaz propane dans le sachet en plastique contenant les pièces et conserver le tout avec le sachet de documentation pour pouvoir le réutiliser ultérieurement.
6. Replacer le brûleur de cuisson au grill dans l'orifice à l'arrière du four avec l'électrode du brûleur de cuisson au grill à l'intérieur de l'orifice du brûleur de cuisson au grill, tel qu'illustré.

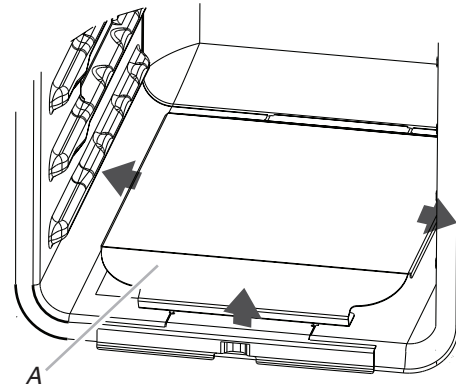


A. Orifice du gicleur de brûleur de cuisson au grill
B. Électrode du brûleur de cuisson au grill
C. Orifice de l'électrode du brûleur de cuisson au grill

7. Réinstaller la vis du brûleur de cuisson au grill. Voir l'étape 1 pour l'illustration. Les vis sont alignées avec l'orifice, lorsqu'un clic se fait entendre.

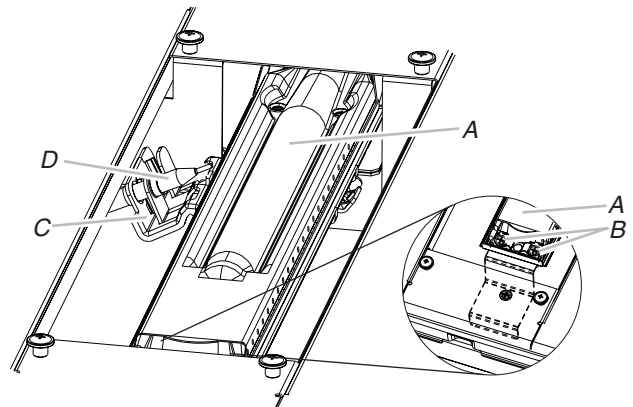
Pour convertir le brûleur de cuisson au four (cavité du four de gauche sur les modèles de 48 po [121,9 cm])

1. Ôter les grilles du four. Voir la section « Ôter les grilles ».
2. Enlever la porte. Voir la section « Enlever la porte du four ». Slide the bake burner cover to the right or left.
3. Faire glisser le couvercle du brûleur de cuisson au four vers la droite ou vers la gauche.



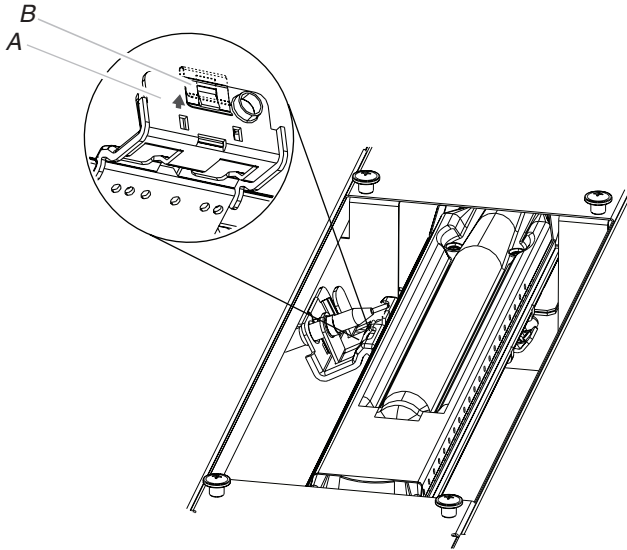
A. Brûleur de cuisson au four – couvercle

4. Retirer le couvercle de brûleur de cuisson au four en le soulevant et le mettre de côté.
5. Retirer les vis du brûleur de cuisson au four et le brûleur de cuisson au four et les mettre de côté avec précaution.



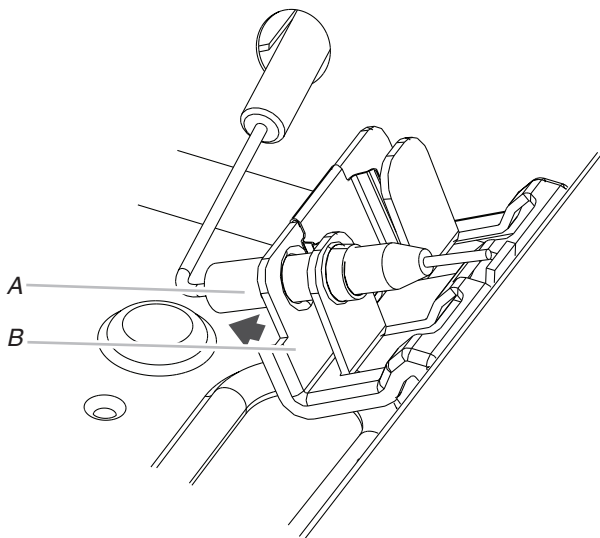
A. Brûleur de cuisson au four
B. Vis du brûleur de cuisson au four
C. Support de l'électrode du brûleur de cuisson au four
D. Électrode du brûleur de cuisson au four

6. Soulever l'attache située sur le support de l'électrode du brûleur de cuisson au four avec le doigt ou avec un tournevis plat puis retirer l'électrode.



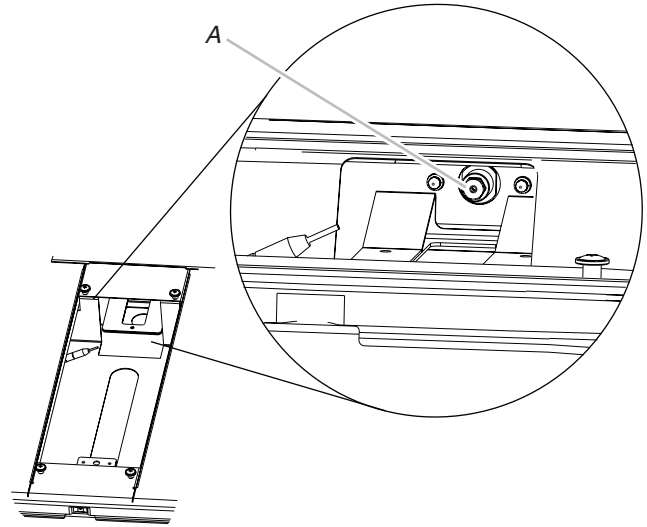
A. Support de l'électrode du brûleur de cuisson au four
B. Attache du support de l'électrode

7. Dégager l'électrode du support.



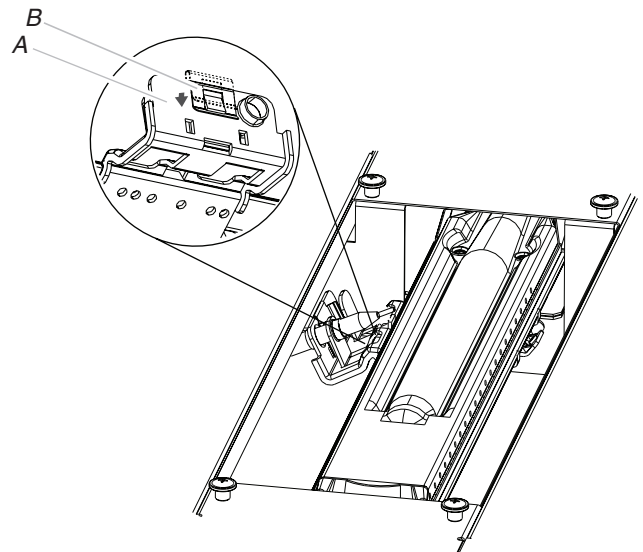
A. Saisir l'électrode ici
B. Support

8. Appliquer du ruban adhésif de masquage à l'extrémité d'un tourne-écrou de 1/4 po (6,4 mm) pour retenir le gicleur du brûleur dans le tourne-écrou durant l'extraction. Insérer le tourne-écrou dans l'ouverture de gaz, appuyer sur le gicleur et le retirer en le faisant tourner dans le sens antihoraire et en le soulevant. Conserver le gicleur pour propane.



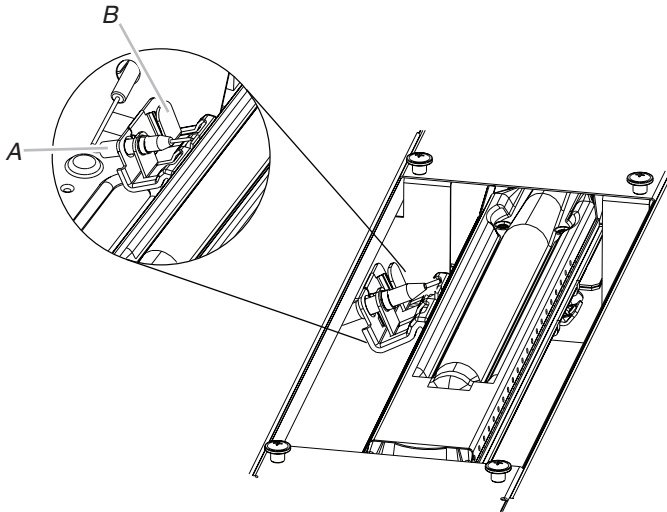
A. Injecteurs pour gaz propane

9. Chaque injecteurs pour gaz naturel est marqué d'un code d'identification. Installer l'injecteur numéro 154 du brûleur de cuisson au four.
10. Placer le gicleur pour gaz propane dans le sachet en plastique contenant les pièces et conserver le tout avec le sachet de documentation pour pouvoir le réutiliser ultérieurement.
11. Enfoncer l'attache sur le support de l'électrode.



A. Support de l'électrode du brûleur de cuisson au four
B. Attache du support de l'électrode

12. Réinstaller l'électrode du brûleur de cuisson au four à l'intérieur du support.

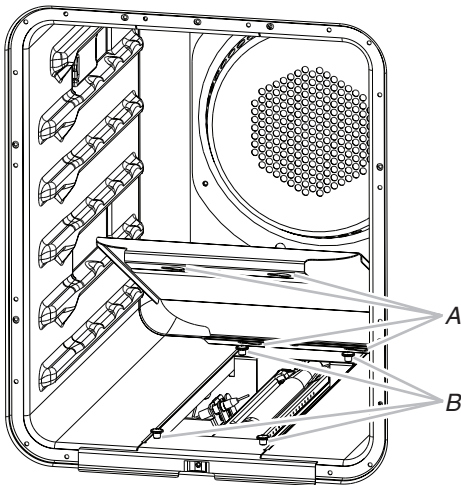


A. Électrode du brûleur de cuisson au four
B. Support de l'électrode du brûleur de cuisson au four

13. Réinstaller le brûleur de cuisson au four et les vis du brûleur de cuisson au four. Voir l'étape 5 pour l'illustration.

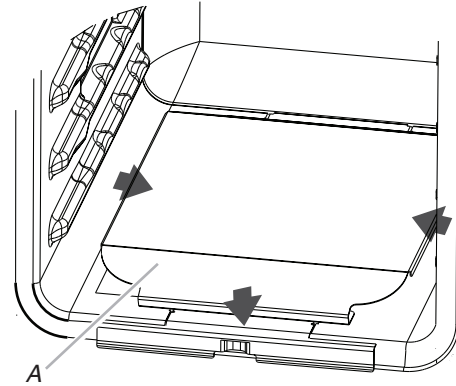
Réinstaller le couvercle du brûleur de cuisson au four

1. Aligner les trous de montage des vis à épaulement (encoches allongées) du couvercle de brûleur de cuisson au four avec les vis à épaulement dans le fond du four.



A. Trous de montage (encoches allongées) de vis à épaulement
B. Vis à épaulement

2. Abaisser le couvercle et le faire glisser vers la gauche ou vers la droite pour faire glisser les vis à épaulement dans les extrémités étroites des encoches allongées puis emboîter le tout.



A. Brûleur de cuisson au four – couvercle

Terminer l'installation

1. Consulter la section « Effectuer le raccordement au gaz » pour savoir comment bien raccorder la cuisinière à l'entrée de gaz.
2. Pour l'allumage et l'utilisation corrects du brûleur, ainsi que le réglage des flammes sur le brûleur, voir la section « Système d'allumage électronique ».

IMPORTANT: Il peut être nécessaire de modifier le réglage des flammes à la position du débit thermique minimum « LO » (basse) pour chaque brûleur de la cuisinière.

Il est très important de vérifier que les flammes sont correctes sur les brûleurs de la cuisinière. Le petit cône interne doit comporter une flamme bleue très distincte de 1/4 po (6,4 mm) à 1/2 po (1,3 cm) de long. Le cône extérieur n'est pas aussi net que le cône intérieur. Les flammes produites par le gaz propane ont une pointe légèrement jaune.

3. Voir le point « Terminer l'installation » de la section « Instructions d'installation » du présent manuel pour achever cette procédure.

SEGURIDAD DE LA ESTUFA

Su seguridad y la seguridad de los demás es muy importante.

Hemos incluido muchos mensajes importantes de seguridad en este manual y en su electrodoméstico. Lea y obedezca siempre todos los mensajes de seguridad.



Este es el símbolo de alerta de seguridad.

Este símbolo le llama la atención sobre peligros potenciales que pueden ocasionar la muerte o una lesión a usted y a los demás.

Todos los mensajes de seguridad irán a continuación del símbolo de advertencia de seguridad y de la palabra "PELIGRO" o "ADVERTENCIA". Estas palabras significan:

 **PELIGRO**

Si no sigue las instrucciones de inmediato, usted puede morir o sufrir una lesión grave.

 **ADVERTENCIA**

Si no sigue las instrucciones, usted puede morir o sufrir una lesión grave.

Todos los mensajes de seguridad le dirán el peligro potencial, le dirán cómo reducir las posibilidades de sufrir una lesión y lo que puede suceder si no se siguen las instrucciones.

ADVERTENCIA: Si la información en estas instrucciones no se sigue con exactitud, podría ocurrir un incendio o una explosión, lo que causaría daños a propiedades, heridas personales o la muerte.

- No almacene o use gasolina u otros líquidos y vapores inflamables cerca de este u otro aparato electrodoméstico.
- **PASOS QUE USTED DEBE SEGUIR SI HUELE A GAS:**
 - No trate de encender ningún aparato electrodoméstico.
 - No toque ningún interruptor eléctrico.
 - No use ningún teléfono en su casa o edificio.
 - Llame inmediatamente a su proveedor de gas desde el teléfono de un vecino.
Siga las instrucciones de su proveedor de gas.
 - Si usted no puede comunicarse con su proveedor de gas, llame al departamento de bomberos.
- La instalación y el servicio deben ser efectuados por un instalador calificado, una agencia de servicio o por el proveedor de gas.

ADVERTENCIA: Las pérdidas de gas no siempre se pueden detectar por el olfato.

Los proveedores de gas recomiendan que usted use un detector de gas aprobado por UL (Laboratorio de normalización) o CSA (Asociación canadiense de seguridad).

Para obtener más información, póngase en contacto con su proveedor de gas.

Si se detecta una fuga de gas, siga las instrucciones de "Pasos que usted debe seguir si huele a gas".

⚠ ADVERTENCIA

Nunca deje la sección de cocción superior de este aparato sin supervisión.

- Ne pas respecter cet énoncé de mise en garde peut provoquer un risque d'incendie, d'explosion ou de brûlure pouvant causer des dommages à la propriété, des blessures ou un décès.
- Si se produce un incendio, manténgase alejado del aparato y llame inmediatamente al departamento de bomberos.

NO INTENTE EXTINGUIR CON AGUA FUEGO ORIGINADO POR ACEITE O GRASA.

IMPORTANTE: No instale un sistema de ventilación que sople aire hacia abajo dirigido hacia este aparato de cocción a gas. Este tipo de sistema de ventilación puede ocasionar problemas de encendido y combustión con este aparato de cocción a gas, resultando en heridas a personas o en un funcionamiento no deseado del aparato.

En el estado de Massachusetts se aplican las siguientes instrucciones de instalación:

- Las instalaciones y reparaciones se deben efectuar por un contratista, plomero o gasista calificado o licenciado por el estado de Massachusetts.
- Reemplace con dispositivos de cierre aceptables: las llaves de gas y las válvulas de bola instaladas para el uso deben estar en la lista.
- Si se usa un conector de gas flexible no debe exceder de 4 pies (121,9 cm).

⚠ ADVERTENCIA

Peligro de Vuelco

Un niño o un adulto puede volcar accidentalmente la estufa y resultar muerto.

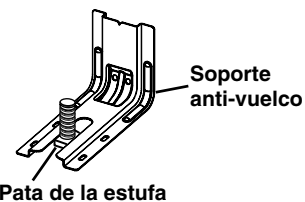
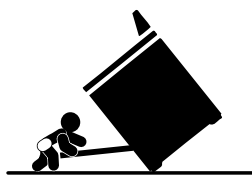
Instale el soporte anti-vuelco al piso o a la pared según las instrucciones de instalación.

Deslice la estufa hacia atrás de modo que la pata trasera quede enganchada en la ranura del soporte anti-vuelco.

Si traslada de lugar la estufa, vuelva a asegurar el soporte anti-vuelco.

No ponga a funcionar la estufa sin tener el soporte anti-vuelco instalado y asegurado.

No seguir estas instrucciones puede ocasionar la muerte o quemaduras graves en niños y adultos.



Para verificar que el soporte anti-vuelco esté instalado y asegurado:

- Deslice la estufa hacia adelante.
- Verifique que el soporte anti-vuelco esté bien sujeto al piso o a la pared.
- Deslice la estufa hacia atrás de modo que la pata trasera quede debajo del soporte anti-vuelco.
- Consulte las instrucciones de instalación para ver más detalles.

REQUISITOS DE INSTALACIÓN

Herramientas y piezas

Reúna las herramientas y las piezas necesarias antes de comenzar la instalación. Lea y siga las instrucciones provistas con cualquiera de las herramientas detalladas aquí.

Herramientas necesarias



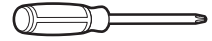
Llave para tubería



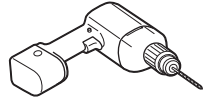
Llave regulable o llave de 5/8" (16 mm)



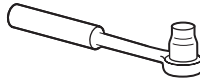
Destornillador plano de 1/8" x 4 1/4" (3 mm x 100 mm)



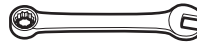
Destornillador Phillips n.º 2



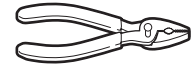
Taladro



Trinquete de 3/8" (9,5 mm)



Llave de combinación de 15/16" (24 mm)



Pinzas



Nivel



Cortador de tubos



Llaves de tuercas de 1/4" (6,4 mm), 3/8" (9,5 mm), 5/16" (7,9 mm)



Marcador o lapicero



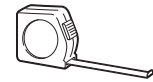
Broca con punta de carburo de 3/16" (4,8 mm) para mampostería



Compuesto para unión de tuberías resistente a gas propano



Solución para detectar fugas no corrosiva

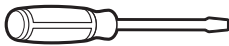


Cinta métrica



Broca de 1/8" (3,2 mm)

Para las conversiones a gas natural/propano



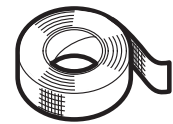
Destornillador grande de cabeza plana



Llave ajustable



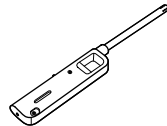
Llave de tuercas de 7 mm



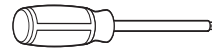
Cinta adhesiva protectora



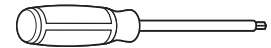
Llave de extremo abierto de 1/2" (1,3 cm)



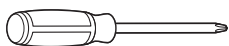
Encendedor



Destornillador T20® Torx®†



Broca cuadrada n.º 1



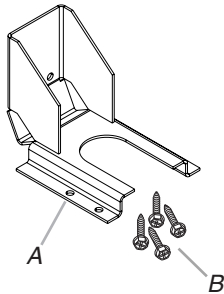
Destornillador Phillips n.º 2

†TORX® y T20® son marcas comerciales registradas de Acument Intellectual Properties, LLC.

Piezas suministradas

Verifique que todas las piezas estén incluidas.

- Kit de soporte antivuelco



A. Soporte antivuelco

B. Tornillos Phillips N° 8-18 x 1" (2,5 cm) (4)

NOTA: El soporte antivuelco debe estar montado en el contrapiso firmemente. Según el espesor del piso, es posible que sea necesario utilizar tornillos más largos para sujetar el soporte al contrapiso. Puede conseguir tornillos más largos en una ferretería local. Consulte la sección "Instalación del soporte antivuelco".

- Rejillas de quemadores
- Tapas para los quemadores
- Bandeja de goteo de plancha (en modelos con plancha)

Piezas necesarias

- Todos los modelos deben contar con una protección posterior si se instalan sin espacio de distancia respecto a una superficie de pared posterior combustible, como un panel de yeso. Consulte "Dimensiones de gabinete" en la sección "Requisitos de ubicación" para obtener los requisitos de ubicación.

Verifique los códigos locales y consulte con el proveedor de gas. Verifique el suministro de gas y el suministro eléctrico existentes. Vea las secciones "Requisitos eléctricos" y "Requisitos del suministro de gas".

Es recomendable que todas las conexiones eléctricas sean hechas por un instalador eléctrico competente autorizado.

Requisitos de ubicación

IMPORTANTE: Respete todas las normativas y reglamentos vigentes. No obstruya el flujo de aire para la combustión y la ventilación.

- Es responsabilidad del instalador cumplir con los espacios de instalación especificados en la placa que indica modelo/serie/valores nominales. La placa indicadora de modelo/serie/valores nominales está ubicada bajo la consola, en el lado derecho.
- Se recomienda instalar una campana de 585 CFM (993,9 m³/h) o mayor sobre la estufa.
- Siga las instrucciones de instalación de la campana de estufa o la combinación de microondas y campana para conocer los espacios libres dimensionales sobre la superficie de cocción.
- Las instalaciones empotradas deben dejar completamente encerrados los lados y la parte posterior de la estufa.
- Todas las aberturas en la pared o en el piso en donde se instalará la estufa deben estar selladas.
- No selle la estufa a los gabinetes laterales.
- Deben usarse las dimensiones de la abertura del gabinete que se muestran. Las dimensiones proporcionadas son los espacios mínimos.
- Deben instalarse soportes antivuelco. Para instalar el soporte antivuelco que se envía con la estufa, consulte la sección "Instalación del soporte antivuelco".
- Se requiere un suministro eléctrico con conexión a tierra. Consulte la sección "Requisitos eléctricos".
- Debe haber una conexión adecuada de suministro de gas. Consulte la sección "Requisitos del suministro de gas".
- Póngase en contacto con un instalador de revestimiento de pisos calificado para verificar que el revestimiento del piso pueda soportar por lo menos 200 °F (93 °C). Use una almohadilla aislante o una madera laminada de 1/4" (6,4 mm) sobre la alfombra y debajo de la estufa si va a instalar la estufa sobre alfombra.

IMPORTANTE: Para evitar daños a los gabinetes, consulte al constructor o al proveedor de los gabinetes para asegurarse de que los materiales empleados no cambien de color, no se desprenda el laminado ni sufran ningún otro tipo de daño. Este horno fue diseñado de acuerdo con los requisitos de UL y CSA International y cumple con las temperaturas máximas permitidas para gabinetes de madera de 194 °F (90 °C).

Requisitos de instalación adicionales para casas rodantes

La instalación de esta estufa debe ajustarse a la Norma para la construcción y la seguridad de casas fabricadas, título 24 CFR, parte 3280 (antes, Norma federal para la construcción y la seguridad de casas rodantes, título 24, HUD parte 280). Cuando esa norma no sea aplicable, use la Norma para instalaciones en casas fabricadas, ANSI A225.1/NFPA 501A o los códigos locales.

En Canadá, la instalación de esta estufa debe hacerse conforme con las normas vigentes de CAN/CSA-A240, su edición más reciente, o con los códigos locales.

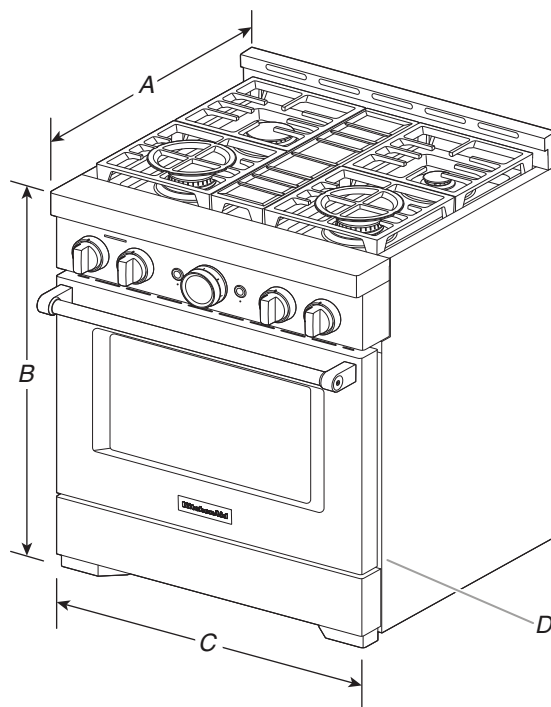
Las instalaciones en casas rodantes necesitan:

- Cuando se instale esta estufa en una casa rodante, deberá asegurarse al piso durante el transporte. Cualquier método de fijación es adecuado en tanto cumpla con las normas antes indicadas.
- La instalación de electrodomésticos diseñados para remolques de parques recreativos debe cumplir con los códigos estatales o de otro tipo o, en ausencia de dichos códigos, con la Norma para remolques de parques recreativos, ANSI A119.5.

Dimensiones del producto

NOTA: Las características de la superficie de cocción pueden diferir.

Modelos de 30" (76,2 cm)



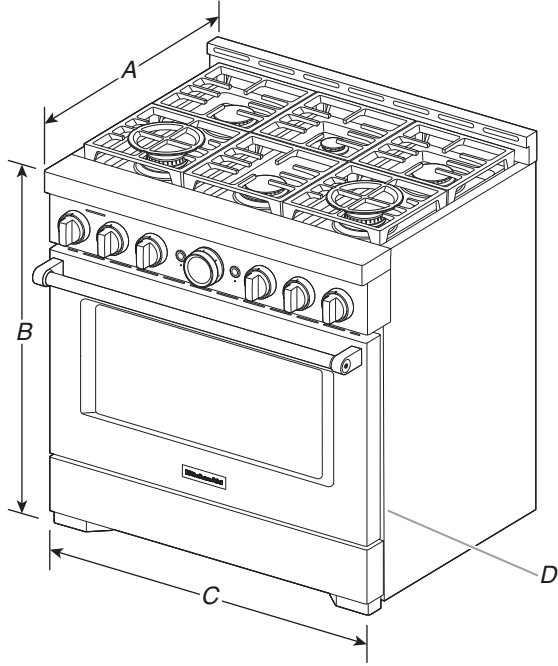
A. 27¹/₄" (70,5 cm) de profundidad con panel de control (Consulte la NOTA.).

B. 36" (91,4 cm) de altura de la estufa con ruedas

C. 29⁷/₈" (75,7 cm) de ancho.

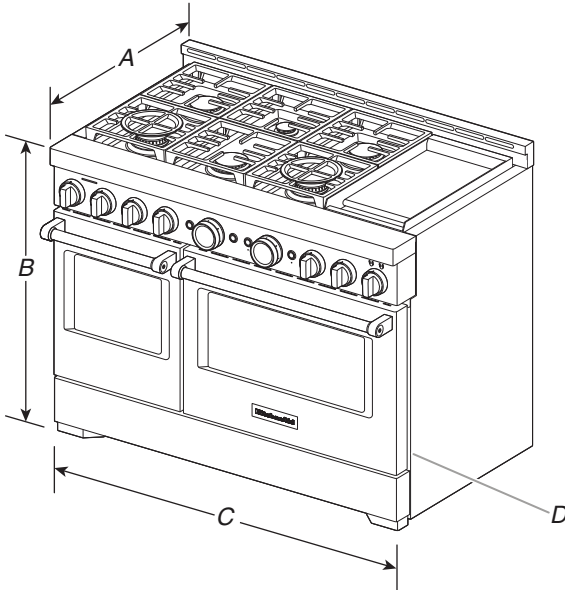
D. Placa que indica modelo/serie/valores (se localiza en el panel lateral frontal).

Modelos de 36" (91,4 cm)



- A. 27³/₄" (70,5 cm) de profundidad con panel de control (Consulte la NOTA).
- B. 36" (91,4 cm) de altura de la estufa con ruedas.
- C. 35⁷/₈" (91,1 cm) de ancho
- D. Placa que indica modelo/serie/valores (se localiza en el panel lateral frontal).

Modelos de 48" (121,9 cm)



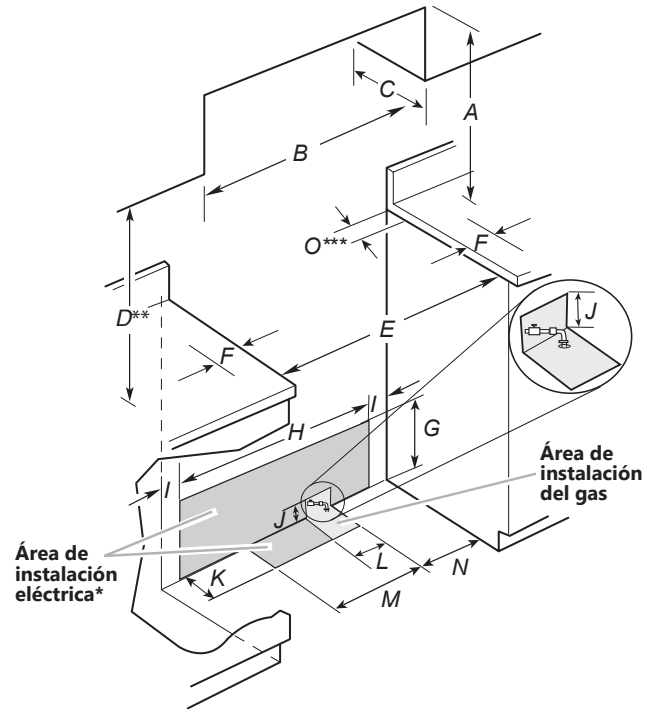
- A. 27³/₄" (70,5 cm) de profundidad con panel de control (Consulte la NOTA).
- B. 36" (91,4 cm) de altura de la estufa con ruedas.
- C. 47⁷/₈" (121,6 cm) de ancho
- D. Placa que indica modelo/serie/valores (se localiza en el panel lateral frontal).

NOTA: Cuando instala en un gabinete de base de 24" (61,0 cm) con un mostrador de 25" (63,5 cm); la parte frontal de la puerta del horno sobresale 3" (7,6 cm) de los 24" (61,0 cm) del gabinete base.

Requisitos de gabinete

Las dimensiones de abertura del gabinete que se muestran son para una profundidad de mostrador de 25" (64,0 cm), una profundidad del gabinete de la base de 24" (61,0 cm) y una altura del mostrador de 36" (91,4 cm). Se deben cumplir las dimensiones para garantizar un ajuste al ras con la pared posterior.

IMPORTANTE: Si va a instalar una campana de estufa, un revestimiento de campana o una combinación de microondas y campana sobre la superficie de cocción, siga las instrucciones de instalación incluidas con la campana para estufa o la combinación de microondas y campana para ver las medidas de los espacios sobre la superficie de cocción.



- A. Para averiguar el espacio mínimo hasta la parte superior de la estufa.**
- B. Modelo de 30" (76,2 cm): ancho mínimo del gabinete superior de 30" (76,2 cm).
Modelo de 36" (91,4 cm): ancho mínimo del gabinete superior de 36" (91,4 cm).
Modelo de 48" (121,9 cm): ancho mínimo del gabinete superior de 48" (121,9 cm).
- C. Profundidad máxima del gabinete superior de 13" (33 cm).
- D. 18" (45,7 cm) del gabinete lateral superior al mostrador.
- E. 30" (76,2 cm) en modelos de 30" (76,2 cm).
36" (91,4 cm) en modelos de 36" (91,4 cm).
48" (121,9 cm) en modelos de 48" (121,9 cm).
- F. 12" (30,4 cm) de espacio mínimo desde ambos lados de la estufa hasta la pared lateral u otro material combustible.
- G. 15" (38,1 cm)
- H. 22" (55,9 cm) en modelos de 30" (76,2 cm).
28" (71,1 cm) en modelos de 36" (91,4 cm).
40" (101,6 cm) en modelos de 48" (121,9 cm).
- I. 4" (10,1 cm)
- J. 3" (7,6 cm)
- K. 5" (12,7 cm)
- L. 3" (7,6 cm) en modelos de 30" (76,2 cm).
11" (27,9 cm) en modelos de 36" (91,4 cm).
21" (53,3 cm) en modelos de 48" (121,9 cm).
- M. 7¹/₂" (19,0 cm)
- N. 9" (22,9 cm)
- O. 6" (15,2 cm)***

** Si no está usando ventilación, Espacios mínimos

Modelos de 30" (76,2 cm): 42" (106,7 cm) de espacio mínimo entre la parte superior de la plataforma de la superficie de cocción y la parte inferior de una superficie de combustible.

Modelos de 36" (91,4 cm): 42" (106,7 cm) de espacio mínimo entre la parte superior de la plataforma de la superficie de cocción y la parte inferior de una superficie de combustible.

Modelos de 48" (121,9 cm): 48" (121,9 cm) de espacio mínimo entre la parte superior de la plataforma de la superficie de cocción y la parte inferior de una superficie de combustible.

***Si la superficie de la pared posterior está construida de un material combustible y no se instala una protección posterior, se requiere un espacio mínimo de 6" (15,2 cm) en todos los modelos.

Requisitos eléctricos

⚠ ADVERTENCIA



Peligro de Choque Eléctrico

Conecte a un contacto de pared de conexión a tierra de 3 terminales.

No quite la terminal de conexión a tierra.

No use un adaptador.

No use un cable eléctrico de extensión.

No seguir estas instrucciones puede ocasionar la muerte, incendio o choque eléctrico.

IMPORTANTE: La estufa debe tener una conexión de electricidad a tierra de acuerdo con los códigos y las ordenanzas locales o, en ausencia de códigos locales, con el Código nacional de electricidad (National Electrical Code), ANSI/NFPA 70 o el Código canadiense de electricidad (Canadian Electrical Code), CSA C22.1.

Si los códigos lo permiten y se emplea un cable de conexión a tierra separado, es recomendable que un instalador eléctrico competente determine si la ruta de conexión a tierra es adecuada.

Puede obtener una copia de las normas de los códigos antes indicados en:

National Fire Protection Association
1 Batterymarch Park
Quincy, MA 02169-7471

CSA International
8501 East Pleasant Valley Road
Cleveland, Ohio 44131-5575

- Se necesita un circuito eléctrico de 120 V, 60 Hz CA solamente, protegido con fusible de 15 A. También se recomienda usar un fusible retardador o disyuntor. Se recomienda el uso de un circuito independiente que preste servicio únicamente a esta estufa.
- Los sistemas de encendido electrónico funcionan dentro de límites de tensión amplios, pero se debe tener la conexión a tierra y polaridad correctas. Verifique que el tomacorriente tenga capacidad para 120 V y que esté debidamente conectado a tierra.
- El diagrama de cableado se ubica detrás de la protección de puerta, en una bolsa de plástico transparente.

Requisitos del suministro de gas

⚠ ADVERTENCIA



Peligro de Explosión

Use una línea de suministro de gas nueva con aprobación de CSA International.

Instale una válvula de cierre.

Apriete firmemente todas las conexiones de gas.

Si se conecta a un suministro de gas propano, la presión no debe exceder una columna de agua de 14 po (36 cm) y debe ser verificada por una persona calificada.

Ejemplos de una persona calificada incluyen:

personal de servicio del sistema de calefacción con licencia,
personal autorizado de la compañía de gas, y
personal autorizado para dar servicio.

No seguir estas instrucciones puede ocasionar la muerte, explosión o incendio.

Respete todas las normativas y reglamentos vigentes.

IMPORTANTE: Esta instalación debe hacerse de acuerdo con todos los códigos y ordenanzas locales. Si no hay códigos locales, la instalación deberá hacerse de acuerdo al Código nacional estadounidense (American National Standard), el Código Nacional de Gas Combustible (National Fuel Gas Code), ANSI Z223.1/NFPA 54 — última edición — o en Canadá, el Código de instalación de gas natural y propano (Natural Gas and Propane Installation Code), CSA B149.1 — última edición.

IMPORTANTE: La estufa debe estar conectada a un suministro de gas regulado.

IMPORTANTE: Las pruebas de fugas de la estufa deben efectuarse según las instrucciones del fabricante.

Tipo de gas

Gas Natural:

Esta estufa está preparada de fábrica para usarse con gas natural. La placa que indica modelo/serie/valores nominales, ubicada debajo de la consola en el lado derecho, ofrece información sobre los tipos de gas que puede usar. Si la lista de tipos de gas no incluye el tipo de gas disponible, averigüe con el proveedor de gas de su localidad.

Conversión de gas propano:

La conversión deberá llevarla a cabo un técnico de servicio calificado.

No se intentará convertir la estufa del gas especificado en la placa que indica modelo/serie/valores nominales para utilizarlo con un gas distinto sin consultar con el proveedor de gas en servicio. Para convertir gas propano, use el kit de conversión de gas propano que viene con la estufa y consulte la sección "Conversiones de gas". Las piezas de este kit están en el paquete que contiene la documentación que viene con la estufa.

Línea de suministro de gas

- Provea una línea de suministro de gas con tubería rígida de 3/4" (1,9 cm) hasta la ubicación de la estufa. Una tubería de menor tamaño en tendidos más largos puede dar como resultado un suministro de gas insuficiente. Con gas propano, el tamaño de la tubería o los caños puede ser de 1/2" (1,3 cm) como mínimo. Por lo general, los proveedores de gas propano determinan el tamaño y los materiales que deben usarse en el sistema.

NOTA: Deben usarse compuestos para uniones de tubería que sean resistentes a la acción del gas propano. No utilice cinta de TEFLON[†].

Conector flexible de metal para electrodomésticos:

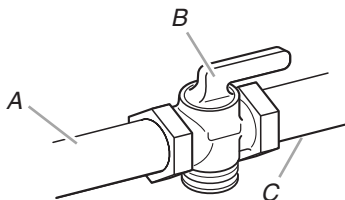
- Si los códigos locales lo permiten, se puede usar un nuevo conector metálico flexible para aparatos de diseño certificado por CSA, de 4 a 5 pies (122 a 152 cm) de longitud, 5/8" (1,6 cm) o 3/4" (1,9 cm) de diámetro interno, para conectar la estufa a la línea de suministro de gas.



- Se necesita una rosca de tubo macho de 1/2" (1,3 cm) para conectar las roscas de tubo hembra de la entrada al regulador de presión del electrodoméstico.
- No tuerza ni dañe la tubería de metal flexible cuando mueva la estufa.

IMPORTANTE: Debe ajustar todas las conexiones con una llave. Las conexiones al regulador de gas no deben estar demasiado apretadas. Esto puede agrietar el regulador y causar una fuga de gas. No permita que el regulador gire cuando se aprietan las conexiones.

- Debe incluir una válvula de cierre: Instale una válvula de cierre manual para líneas de gas en un lugar de fácil acceso. No bloquee el acceso a la válvula de cierre. La válvula es para abrir o cerrar el suministro de gas a la estufa.



A. Línea de suministro de gas
B. Válvula de cierre en posición "abierta"
C. A la estufa

Regulador de la presión de gas

Deberá usarse el regulador de la presión de gas suministrado con esta estufa. Para el funcionamiento adecuado, la presión de entrada al regulador deberá ser como se indica a continuación:

Gas Natural:

Presión mínima: 5" (12,7 cm) de presión de la columna de agua
Presión máxima: 14" (35,6 cm) de presión de la columna de agua

Gas propano:

Presión mínima: 10" (25,4 cm) de presión de la columna de agua
Presión máxima: 14" (35,6 cm) de presión de la columna de agua

Póngase en contacto con el proveedor de gas local si no está seguro acerca de la presión de entrada.

Valores nominales de entrada de los quemadores: altitud

La capacidad nominal de entrada que se muestra en la placa de clasificación del modelo/serie es para elevaciones de hasta 2000 pies (609,6 m).

Para elevaciones superiores a 2000 pies (609,6 m), los valores nominales se reducen en una proporción del 4% por cada 1000 pies (304,8 m) por encima del nivel del mar (no se aplica a Canadá).

Prueba de presión del suministro de gas

La presión del suministro de gas para un regulador de prueba debe ser de al menos 1" (2,5 cm) de presión de la columna de agua superior a la presión del múltiple que se muestra en la placa que indica modelo/serie.

Prueba de presión de línea sobre 1/2 psi (3,5 kPa) de manómetro 14" (35,6 cm) de presión de la columna de agua (WCP)

La estufa y su válvula de cierre individual deben desconectarse del sistema de tubería de suministro de gas durante cualquier prueba de presión efectuada en el sistema con presiones de prueba superiores a 1/2 psi (3,5 kPa).

Prueba de presión de la línea a 1/2 psi (3,5 kPa) de manómetro 14" (35,6 cm) de WCP o menos

Se debe cerrar la válvula de cierre individual manual para aislar la estufa del sistema de tubería de suministro de gas durante cualquier prueba de presión efectuada en el sistema con presiones de prueba de 1/2 psi (3,5 kPa) o menos.

[†]TEFLON es una marca comercial registrada de Chemours.

INSTRUCCIONES DE INSTALACIÓN

Desembale la estufa

⚠️ ADVERTENCIA

Peligro de peso excesivo

Use dos o más personas para mover e instalar la estufa.

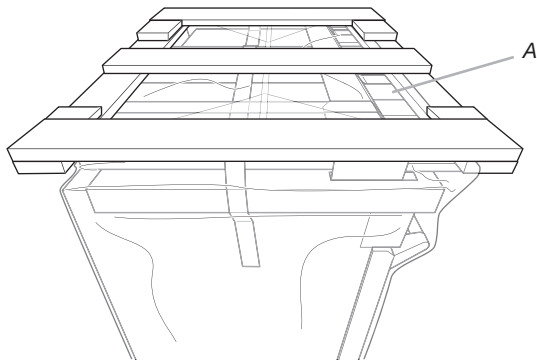
No seguir esta instrucción puede ocasionar una lesión en la espalda u otro tipo de lesiones.

Retire los materiales de envío, la cinta adhesiva y la película protectora de la estufa. Mantenga el palé bajo la estufa. Saque las parrillas del horno y el paquete de piezas de su interior. Retire las rejillas de la parte superior del horno.

Retire la placa de protección

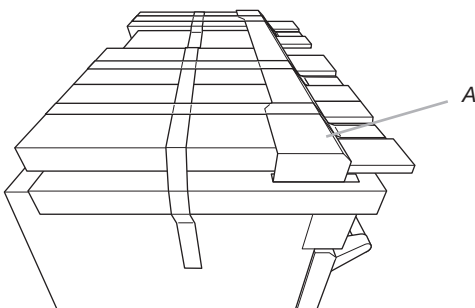
1. Su estufa tendrá la placa protectora empaquetada en la parte superior de la unidad.
 - a. Retire la protección de puerta desde la parte superior de la estufa y las parrillas.

En el embalaje



A. Protección de puerta

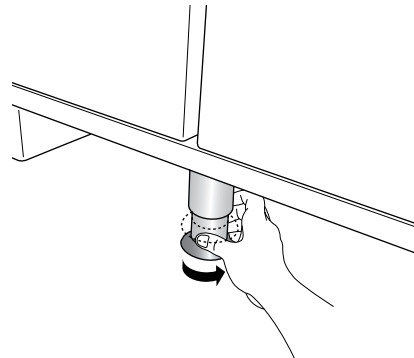
Embalaje retirado



A. Protección de puerta

- b. Mueva la protección de puerta hacia el lado para evitar rayar.

2. Solo para los modelos de 48" (121,9 cm), gire el soporte del centro hacia la izquierda fuera del palé hasta que se detenga.



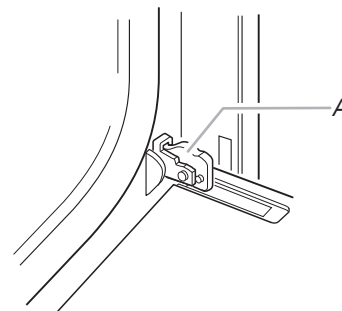
NOTA: Este soporte solo se usa para el envío y no se necesita para la instalación.

3. Coloque un cartón del embalaje en el suelo detrás de la estufa. Entre dos o más personas, sostengan firmemente cada lado de la estufa. Levante la estufa cerca de 3" (8,0 cm) y muévala hacia atrás hasta que esté fuera del palé. Coloquen la estufa sobre el cartón para evitar dañar el piso.

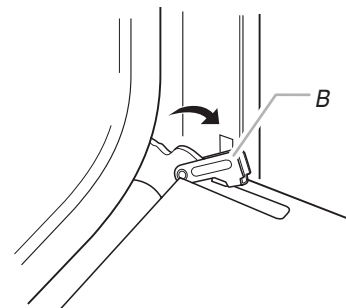
Quite la puerta

Remoción de la puerta

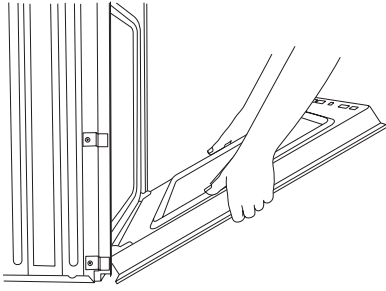
- No quite los espaciadores laterales de la puerta hasta que la estufa esté listo para instalarse. El quitar los espaciadores de la puerta podría causar que ésta se mueva, dañando así su pestillo.
- No levante ni mueva la estufa por las manijas de la puerta ni el panel de control.
- Antes de instalar la estufa, necesitará quitar las puertas del horno. Prepare una superficie donde pueda dejar la(s) puerta(s). Esta superficie debe ser plana y estar cubierta con una manta blanda; o se pueden usar los esquineros del material de embalaje.



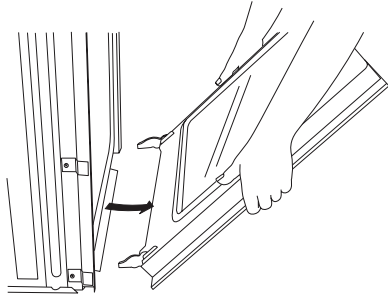
A. Bisagra de la puerta del horno en posición cerrada.



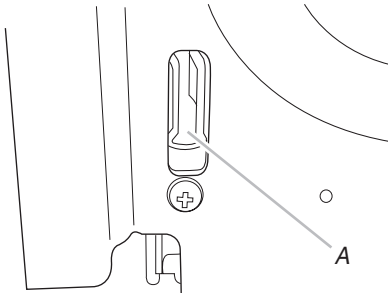
B. Bisagra de la puerta del horno en posición abierta.



Cierre parcialmente la puerta para trabar los seguros de las puertas. La puerta se detendrá en este punto.



Use ambas manos para retirar y reemplazar la(s) puerta(s) del horno. Puede que sea necesario desplazar suavemente la puerta de un lado a otro.



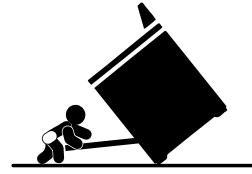
A. Ranura en la cavidad del horno para el seguro de la bisagra de la puerta.

Para volver a colocar la puerta

- Para reemplazar la(s) puerta(s) del horno, ubique las ranuras en la cavidad del horno para los seguros de la bisagra y repita los pasos que aparecen arriba en orden inverso. Asegúrese de que la puerta cierre correctamente y no interfiera con el seguro de la puerta. Si es necesario, retire la puerta y repita los pasos que aparecen arriba. Si la estufa está conectada al suministro eléctrico, abra y cierre la puerta para asegurarse de que la luz del horno se enciende y apaga correctamente.
- La estufa está equipada con patas y rodillos niveladores. Una vez que se retira la estufa del palé de envío, asegúrese de que las patas niveladoras no toquen el piso y use los rodillos para mover la estufa a su posición. Cubra siempre la superficie del piso para evitar daños en él. No ruede la estufa directamente sobre el piso.

Instalación del soporte antivuelco

⚠ ADVERTENCIA



Peligro de Vuelco

Un niño o un adulto puede volcar accidentalmente la estufa y resultar muerto.

Instale el soporte anti-vuelco al piso o a la pared según las instrucciones de instalación.

Deslice la estufa hacia atrás de modo que la pata trasera quede enganchada en la ranura del soporte anti-vuelco.

Si traslada de lugar la estufa, vuelva a asegurar el soporte anti-vuelco.

No ponga a funcionar la estufa sin tener el soporte anti-vuelco instalado y asegurado.

No seguir estas instrucciones puede ocasionar la muerte o quemaduras graves en niños y adultos.

1. Decida qué método de montaje usará: en el piso o en la pared.
Si tiene piso de piedra o de mampostería, puede usar el método de montaje en la pared.
2. Determine y marque la línea central del área recortada. El soporte de montaje debe instalarse en el lado izquierdo del área recortada. Ubique el soporte de montaje en el área recortada como se muestra en la siguiente ilustración.

Medida B:

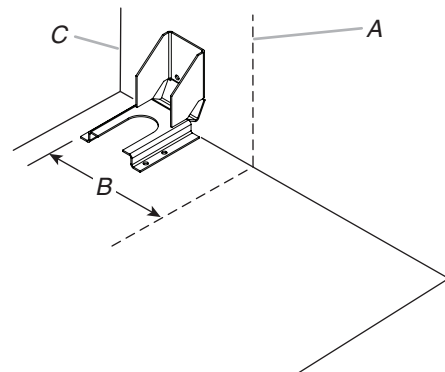
Estufas de 30" (76,2 cm): 13" (33,0 cm)

Estufas de 36" (91,4 cm): 16" (40,6 cm)

Estufas de 48" (121,9 cm): 22" (55,9 cm)

Medida C:

Distancia opcional desde la pared posterior. Si la pared posterior está construida de un material combustible y no se instala una protección posterior, se requiere un espacio mínimo de 6" (15,2 cm) en todos los modelos. Instale el soporte antivuelco como corresponda.



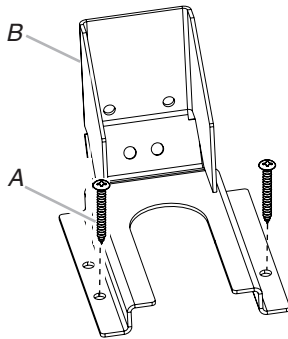
A. Línea central

B. Línea central del área recortada al borde externo del soporte antivuelco.

C. Pared posterior a la parte posterior de la estufa.

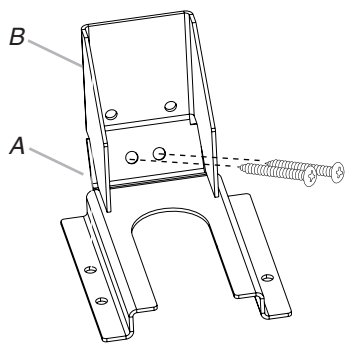
- Taladre dos orificios de 1/8" (3,0 mm), que coincidan con los orificios del soporte para el método de montaje que haya determinado. Vea las ilustraciones a continuación.

Montaje a través del piso



A. Tornillos N° 12 x 1 5/8" (4,1 cm)
B. Soporte antivuelco

Montaje en la pared



A. Tornillos N° 12 x 1 5/8" (4,1 cm)
B. Soporte antivuelco

- Con un destornillador Phillips, monte el soporte antivuelco a la pared o piso con los dos tornillos N° 12 x 1 5/8" (4,1 cm) proporcionados.

Según el espesor del piso, es posible que necesite tornillos más largos para sujetar el soporte al contrapiso. Puede conseguir tornillos más largos en una ferretería local.

- Mueva la estufa cerca lo suficiente como para que la abertura permita hacer las conexiones eléctricas. Quite la base de envío, cartón o madera que se encuentra debajo de la estufa.
- Continúe instalando su estufa con las siguientes instrucciones de instalación.

Conexión del suministro de gas

⚠ ADVERTENCIA



Peligro de Explosión

Use una línea de suministro de gas nueva con aprobación de CSA International.

Instale una válvula de cierre.

Apriete firmemente todas las conexiones de gas.

Si se conecta a un suministro de gas propano, la presión no debe exceder una columna de agua de 14 po (36 cm) y debe ser verificada por una persona calificada.

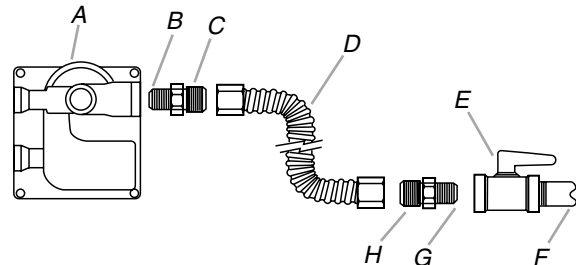
Ejemplos de una persona calificada incluyen:

personal de servicio del sistema de calefacción con licencia,
personal autorizado de la compañía de gas, y
personal autorizado para dar servicio.

No seguir estas instrucciones puede ocasionar la muerte, explosión o incendio.

- Ensamble el conector flexible de la tubería de suministro de gas al regulador de presión ubicado en el centro posterior de la estufa.
- Aplique compuesto para unión de tuberías hecho para el uso con gas propano en los extremos más pequeños de rosca de los adaptadores del conector flexible. (Consulte B y G en la ilustración siguiente).
- Fije un adaptador al regulador de presión de gas y el otro a la válvula de cierre de gas. Apriete los dos adaptadores y asegúrese de no mover ni girar el regulador de presión de gas.
- Use una llave de combinación de 15/16" (2,4 cm) y una llave regulable para fijar el suministro de gas flexible a los adaptadores. Cerciérese de que el conector no esté torcido.

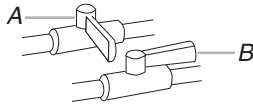
IMPORTANTE: Debe ajustar todas las conexiones con una llave. Las conexiones al regulador de gas no deben estar demasiado apretadas. Esto puede agrietar el regulador y causar una fuga de gas. No permita que el regulador gire cuando se aprietan las conexiones.



- | | |
|--|--|
| A. Regulador de presión de gas | E. Válvula de gas de cierre manual |
| B. Use compuesto para juntas de tubería. | F. Tubo de gas de 1/2" (1,3 cm) o 3/4" (1,9 cm). |
| C. Adaptador (debe tener una rosca macho para tubería de 1/2" [1,3 cm]). | G. Use compuesto para uniones de tubería. |
| D. Conector flexible | H. Adaptador |

Complete la conexión

1. Abra la válvula de cierre manual de la línea de suministro de gas. La válvula está abierta cuando la manija está paralela a la tubería de gas.



A. Válvula cerrada
B. Válvula abierta

2. Pruebe todas las conexiones aplicando con un pincel una solución aprobada para detección de fugas que no sea corrosiva. Si aparecen burbujas, ello indica que existe una fuga. Elimine cualquier fuga que encuentre.
3. Saque las tapas y rejillas de los quemadores de la estufa del paquete de piezas. Coloque las tapas sobre las bases de los quemadores. Coloque las parrillas sobre los quemadores y las tapas.

⚠ ADVERTENCIA



Peligro de Choque Eléctrico

Conecte a un contacto de pared de conexión a tierra de 3 terminales.

No quite la terminal de conexión a tierra.

No use un adaptador.

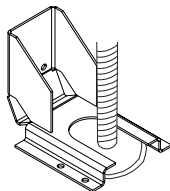
No use un cable eléctrico de extensión.

No seguir estas instrucciones puede ocasionar la muerte, incendio o choque eléctrico.

4. Conecte a un tomacorriente con conexión a tierra de 3 terminales.
5. Encienda la alimentación. Para obtener más información, consulte las instrucciones para el usuario que se encuentran en el Manual de uso y cuidado.

Verificación de la ubicación del soporte antivuelco

1. Con un zócalo o llave de 5/16" (7,9 mm), gire las cuatro varillas de nivelación en una vuelta completa para elevar la estufa y proporcionar espacio suficiente para que la pata niveladora trasera se deslice en el soporte antivuelco.

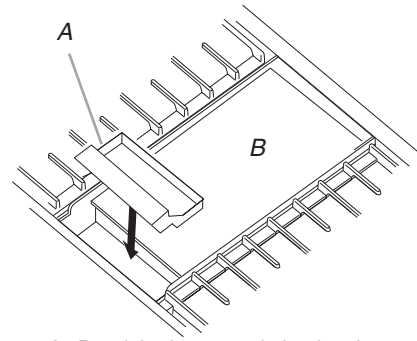


2. Mueva la estufa a su ubicación final, asegurándose de que la pata niveladora trasera se deslice en el soporte antivuelco.
3. Use una linterna para mirar bajo la parte inferior de la estufa y verificar que el pie trasero esté insertado en la ranura del soporte antivuelco.

Instale la bandeja de la plancha (en los modelos con plancha)

La plancha viene instalada de fábrica.

1. Coloque la bandeja de goteo en la cavidad de la parte delantera de la plancha. Deslice la bandeja hacia la parte posterior hasta que se detenga.



A. Bandeja de goteo de la plancha
B. Plancha

2. Limpie la plancha antes de usarla. Consulte el Manual de uso y cuidado.

Sistema de encendido electrónico

Instale las tapas de los quemadores

Coloque las tapas sobre los quemadores. Si las tapas de los quemadores no están en la posición correcta, los quemadores de la superficie no se encenderán.

Quemadores

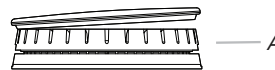


A

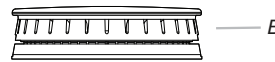


B

A. Incorrecto
B. Correcto



A




B

Encendido inicial y regulación de las llamas de gas

Los quemadores de la estufa utilizan encendedores electrónicos en lugar de pilotos permanentes. Cuando se gira la perilla de control de la estufa a cualquier posición, el sistema genera una chispa para encender el quemador. La chispa continúa hasta que se enciende la llama o la perilla se gira hasta OFF (APAGADO).

NOTA: Encender los quemadores por primera vez tomará más tiempo. Esto permite que el gas llegue a los quemadores durante el primer uso.

Verifique el funcionamiento de los quemadores de la estufa

Empuje hacia adentro y gire cada perilla de control a .

NOTA: Escuchará un clic mientras la línea se despeja.

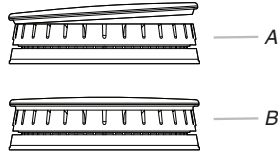
Los quemadores de la superficie y las llamas de la parrilla se deben encender dentro de 4 segundos. La primera vez que encienda un quemador, puede tardar más de 4 segundos debido a la presencia de aire en la línea de gas.

Después de verificar el funcionamiento correcto de los quemadores, gire las perillas de control hasta OFF (APAGADO).

Si los quemadores no se encienden correctamente:

- Gire la perilla de control de la estufa a OFF (APAGADO).
- Compruebe que la estufa esté enchufada, que el disyuntor no se haya disparado y que el fusible no se haya quemado.

- Verifique que las válvulas de cierre de gas estén en la posición abierta.
- Verifique que las tapas de los quemadores estén en la posición correcta sobre la base de los quemadores.



A. Incorrecto
B. Correcto

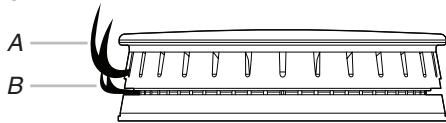
Repita la puesta en marcha. Si hasta este punto no se ha encendido un quemador, comuníquese con el distribuidor o una compañía de servicio autorizada para recibir ayuda.

Altura de la llama

La llama de la estufa deberá ser una llama azul estable.

NOTA: Las alturas de las llamas se ajustan de fábrica. Si no parecen correctas, comuníquese con su proveedor de servicios.

Quemador



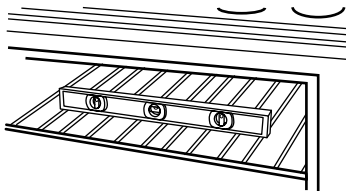
A. Llama superior (principal)
B. Llama inferior (fuego lento)

NOTA: Se muestra el quemador apilado doble.

Nivelación de la estufa

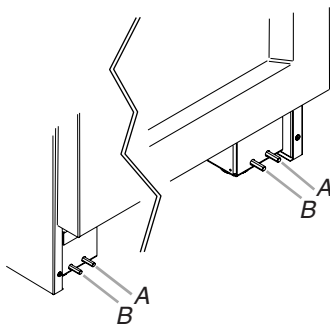
NOTA: La estufa debe estar nivelada para un rendimiento correcto del horneado.

1. Ponga la parrilla en el horno.
2. Coloque la herramienta para medir el nivel en la rejilla y revise el nivel de la estufa, primero de lado a lado y luego de adelante hacia atrás.



3. Si la estufa no está nivelada, ajuste las varas niveladoras. Con una llave, gire las varas niveladoras ubicadas detrás de la protección de puerta para nivelar la estufa y subirla o bajarla a la altura deseada.

NOTA: Todas las patas con rodillo deben permanecer fuera del piso hasta la instalación final.



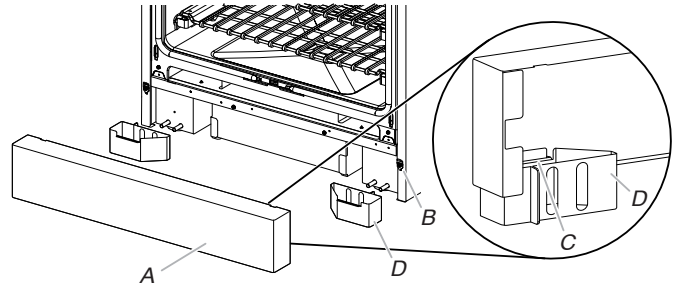
A. Vara niveladora posterior
B. Vara niveladora frontal

NOTA: Si se giran en el sentido horario eleva la unidad, mientras que si se giran en el sentido antihorario la baja.

Instale la placa de protección

NOTA: Debe quitarse la puerta para extraer o reemplazar la placa de protección. Consulte la sección "Para quitar la puerta".

Alinee la placa de protección sobre sus ranuras y empujarla hacia abajo.



A. Protección de puerta
B. Lengüeta de la placa de protección
C. Ranura de la placa de protección
D. Patas

Instalación completa

1. Verifique que todas las piezas estén ahora instaladas. Si hay alguna pieza extra, vuelva a revisar todos los pasos para ver cuál se omitió.
2. Verifique que tenga todas las herramientas.
3. Deseche/recicle todos los materiales de embalaje.
4. Lea el Manual de uso y cuidado para obtener información acerca del uso y la limpieza del horno.

Comprobación del funcionamiento del horno

1. Encienda el aparato.
2. Inicie un ciclo de horneado. Consulte el Manual de uso y cuidado para obtener instrucciones de operación.

Si el o los hornos no funcionan, revise lo siguiente:

- Que el fusible de la casa esté intacto y apretado, o que no se haya desconectado el disyuntor.
 - Que el suministro eléctrico esté conectado.
 - Vea la sección "Solución de problemas" del Manual de uso y cuidado.
3. Cuando el horno haya estado funcionando durante 10 a 15 minutos, abra la puerta y revise si hay calor. Si no siente calor, apague el horno y comuníquese con un técnico competente.

Si necesita ayuda o servicio técnico:

Consulte la sección "Ayuda o servicio técnico" del Manual de uso y cuidado o póngase en contacto con el distribuidor en donde compró la estufa.

CONVERSIONES DE GAS

IMPORTANTE: Las conversiones de gas natural a gas propano deben ser realizadas por un instalador competente.

⚠️ ADVERTENCIA



Peligro de Explosión

Use una línea de suministro de gas nueva con aprobación de CSA International.

Instale una válvula de cierre.

Apriete firmemente todas las conexiones de gas.

Si se conecta a un suministro de gas propano, la presión no debe exceder una columna de agua de 14 po (36 cm) y debe ser verificada por una persona calificada.

Ejemplos de una persona calificada incluyen:

personal de servicio del sistema de calefacción con licencia,
personal autorizado de la compañía de gas, y
personal autorizado para dar servicio.

No seguir estas instrucciones puede ocasionar la muerte, explosión o incendio.

Conversión a gas propano

⚠️ ADVERTENCIA



Peligro de Vuelco

Un niño o un adulto puede volcar accidentalmente la estufa y resultar muerto.

Instale el soporte anti-vuelco al piso o a la pared según las instrucciones de instalación.

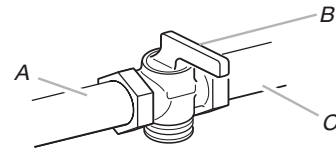
Deslice la estufa hacia atrás de modo que la pata trasera quede enganchada en la ranura del soporte anti-vuelco.

Si traslada de lugar la estufa, vuelva a asegurar el soporte anti-vuelco.

No ponga a funcionar la estufa sin tener el soporte anti-vuelco instalado y asegurado.

No seguir estas instrucciones puede ocasionar la muerte o quemaduras graves en niños y adultos.

1. Lleve la válvula de cierre manual a la posición cerrada.



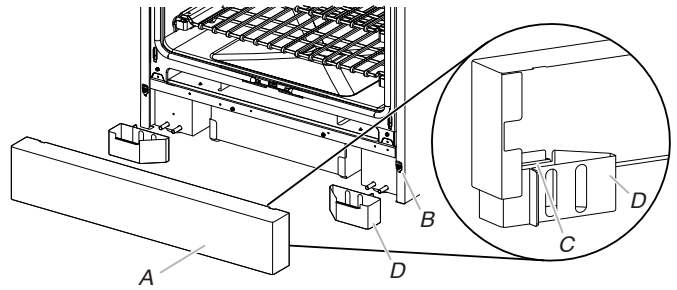
- A. A la estufa
- B. Válvula de cierre (posición cerrada)
- C. Línea de suministro de gas

2. Desenchufe la estufa o desconecte el suministro eléctrico.

Para convertir el regulador de presión de gas natural a gas propano

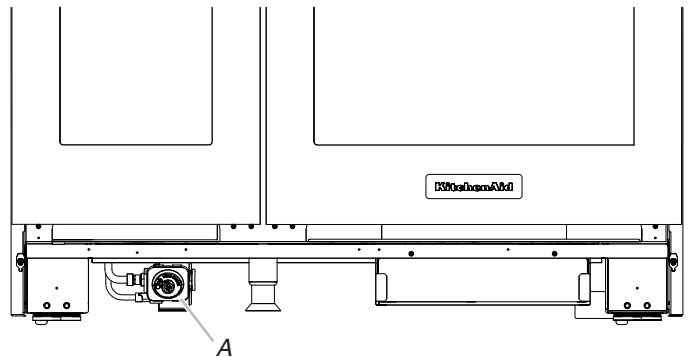
NOTA: Debe quitarse la puerta para extraer o reemplazar la placa de protección. Consulte la sección "Para quitar la puerta".

1. Levante la placa de protección y retírela de la pestaña de la misma placa.



- A. Protección de puerta
- B. Lengüeta de la placa de protección
- C. Ranura de la placa de protección
- D. Patas

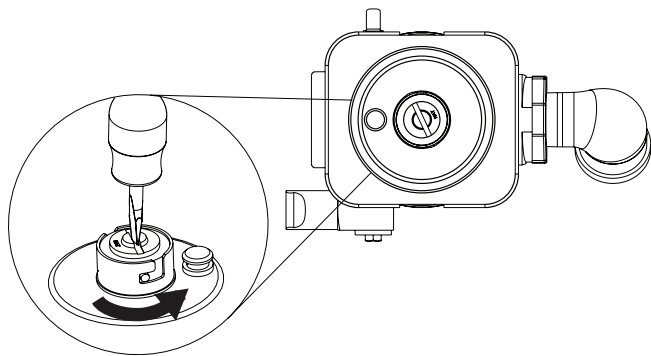
2. Mueva la protección de puerta a un lado para evitar rayar.
3. Localice el regulador de presión de gas en la parte trasera izquierda de la estufa.



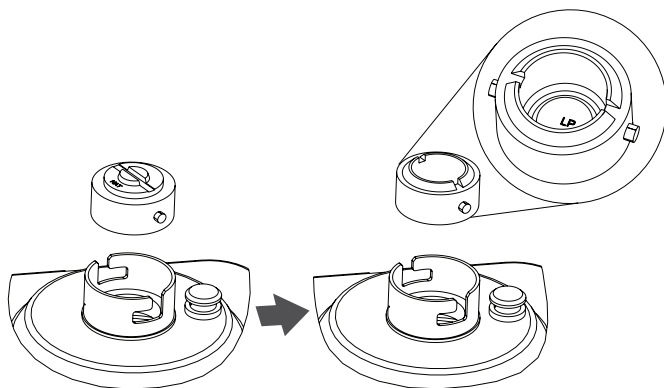
- A. Regulador de presión de gas

4. Retire la tapa del regulador de presión de gas con un destornillador grande de hoja plana para girar la tapa del regulador en sentido antihorario.

NOTA: No quite el resorte que está debajo de la tapa.



5. Invierta la tapa del regulador de presión de gas y vuelva a instalarla sobre el regulador de modo que el extremo hueco mire hacia afuera y la marca "LP" quede visible.



6. Apriete la tapa del regulador de presión de gas con un destornillador grande de hoja plana para girar la tapa del regulador en sentido horario.
7. Pruebe el regulador de presión y la tubería de suministro de gas. El regulador debe revisarse en una columna de agua de un mínimo de 1" (2,5 cm) sobre la presión establecida. La presión de entrada al regulador debe ser la siguiente para el funcionamiento y para verificar el ajuste del regulador:

Gas propano:

Presión mínima: 10" (25,4 cm) de presión de la columna de agua
Presión máxima: 14" (35,6 cm) de presión de la columna de agua

Prueba de presión del suministro de gas

La presión del suministro de gas para un regulador de prueba debe ser de al menos 1" (2,5 cm) de presión de la columna de agua superior a la presión del múltiple que se muestra en la placa que indica modelo/serie.

Prueba de presión de línea sobre 1/2 psi (3,5 kPa) de manómetro 14" (35,6 cm) de presión de la columna de agua (WCP)

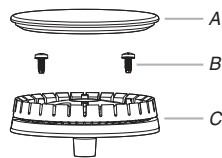
La estufa y su válvula de cierre individual deben desconectarse del sistema de tubería de suministro de gas durante cualquier prueba de presión efectuada en el sistema con presiones de prueba superiores a 1/2 psi (3,5 kPa).

Prueba de presión de la línea a 1/2 psi (3,5 kPa) de manómetro 14" (35,6 cm) de WCP o menos

Se debe cerrar la válvula de cierre individual manual para aislar la estufa del sistema de tubería de suministro de gas durante cualquier prueba de presión efectuada en el sistema con presiones de prueba de 1/2 psi (3,5 kPa) o menos.

Para convertir quemadores de superficie de gas natural a gas propano

1. Si las rejillas de los quemadores están instaladas, retírelas.
2. Retire la tapa del quemador.
3. Retire la base del quemador quitando primero los tornillos T-20 (2).

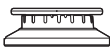

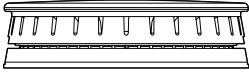


Quemador

- A. Tapa del quemador
- B. Tornillos
- C. Base del quemador

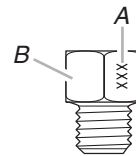
4. Aplique cinta adhesiva protectora al extremo de una llave para tuercas de 7 mm para ayudar a mantener el tornillo de los orificios de gas natural en la llave para tuercas mientras lo cambia. Inserte la llave para tuercas en la abertura de gas y presione hacia abajo sobre el tornillo de los orificios de gas y sáquelo girándolo en sentido antihorario y levantándolo hacia afuera. Deje a un lado el tornillo de los orificios de gas.
5. Reemplace con un tornillo para orificios de gas propano correcto. Vea la "Tabla de tornillos/campanas para orificios de gas propano".
Use la tabla que sigue para encontrar la ubicación exacta del tornillo para orificio.

Tabla de tornillos/campanas para orificios de gas propano

Valor nominal del quemador	Sello	Tamaño	Estilo de quemadores
4,000 BTU	63	0,63 mm	Quemador pequeño 
12,000 BTU	103	1,03 mm	Quemador mediano 
13,000 BTU	99	0,99 mm	Quemador grande, principal
	50	0,50 mm	Quemador grande, fuego lento 

NOTA: Consulte la etiqueta de serie para ver más información sobre el valor nominal del quemador y las ubicaciones.

Tornillo para orificio de quemador

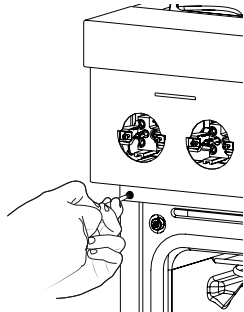


- A. Estampado de tamaño
- B. Sello con tipo de combustible (L o N)

6. Coloque el orificio de gas natural en la bolsa plástica con las piezas para utilizarlo en el futuro y guarde con el paquete con el material impreso.
- NOTA:** Puede haber orificios adicionales en el kit.
7. Vuelva a colocar la base del quemador y los tornillos. Apriete los tornillos solo hasta que el quemador esté ajustado a la superficie de cocción, no los apriete demasiado.
8. Vuelva a colocar la tapa del quemador.
9. Repita los pasos 2 a 8 para el resto de los quemadores.

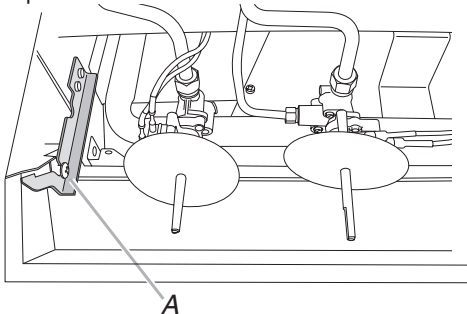
Para ajustar el fuego lento en los quemadores de superficie para gas propano

1. Desenchufe la estufa o desconecte el suministro eléctrico.
2. Con el destornillador con punta de barrena, retire las perillas de control y los biseles de los quemadores de superficie (no es necesario quitar las perillas de control del horno ni las de control de la plancha).
3. Abra la puerta del horno y retire los dos tornillos a cada lado de la estufa que sostienen la consola de control.



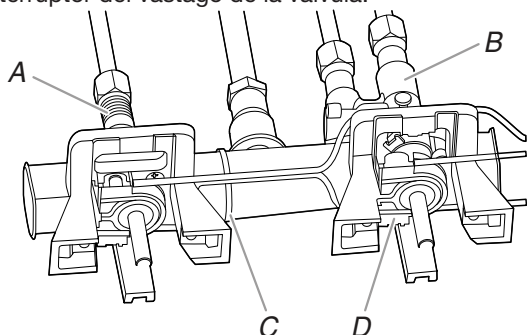
NOTA: Asegúrese de dejar la puerta abierta o la consola de control no se apoyará como corresponde en los soportes laterales una vez colocada.

4. Levante la consola de control y deje que caiga hacia delante en los soportes ranurados de la consola a cada lado.

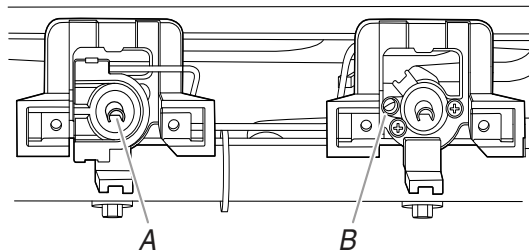


A. Soporte de la consola de control

5. Localice el tornillo de ajuste de bajo-reducción para el quemador apropiado en la válvula dada. El tornillo de ajuste de bajo-reducción para las válvulas del quemador trasero izquierdo, trasero derecho, trasero central y delantero central (aluminio) se encuentra a través del centro del vástago de la válvula. El tornillo de ajuste de bajo-reducción para las válvulas del quemador frontal izquierdo y frontal derecho (cobre) se encuentra detrás del interruptor de ignición en el cuerpo de la válvula, a la izquierda del vástago. Para quitar el interruptor de ignición, corte la atadura de alambre y apague el interruptor del vástago de la válvula.



- A. Válvula de aluminio para los quemadores trasero izquierdo, trasero derecho, trasero central y frontal central.
 B. Válvula de cobre para los quemadores frontal izquierdo y frontal derecho dual.
 C. Atadura de alambre
 D. Interruptor de ignición



- A. Tornillo de ajuste bajo-reducción para la válvula de aluminio a través del centro del vástago.
 B. Tornillo de ajuste bajo-reducción para la válvula de cobre.

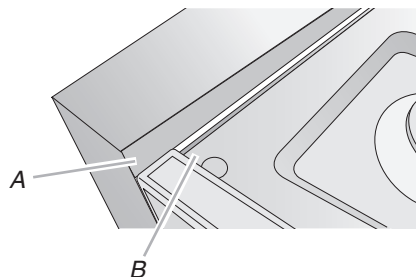
6. Con el quemador en ON (ENCENDIDO) (el quemador tendrá que encenderse manualmente con un encendedor), y configurado para fuego lento en LOW (BAJO), ajuste la flama para fuego lento hacia abajo con el nivel adecuado de BTU. Con un destornillador de hoja plana de 1/8" x 4 1/4" (3,2 mm x 10,8 cm), gire el tornillo de ajuste de bajo-reducción a fuego lento en el sentido horario hasta que la altura de la llama esté por debajo de la parte inferior de la tapa. Si la llama se vuelve inestable y parpadea o parece correr alrededor del quemador, el ajuste es demasiado bajo y el tornillo debe ajustarse en sentido antihorario hasta que la llama sea estable. Repita este paso para todos los quemadores de superficie.

NOTA: Use una perilla para ajustar la válvula del quemador.

NOTA: Ajuste cada quemador individualmente.

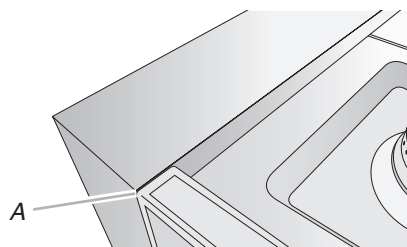
7. Después de terminar con todos los ajustes, vuelva a poner los interruptores de ignición en las válvulas.
8. Levante la consola de control y vuelva a ponerla en su lugar. Para lograr el ajuste adecuado, la lengüeta de la consola de control debe engancharse sobre el borde de la parte delantera de la superficie de cocción.

NOTA: Podría requerirse elevar los vástagos de las válvulas para que se alineen con los orificios de la consola.



- A. Lengüeta de la consola de control
 B. Borde delantero de la superficie de cocción de la estufa

9. Verifique que la consola de control esté al ras con el borde superior de la estufa.



A. Al ras con la parte superior de la estufa

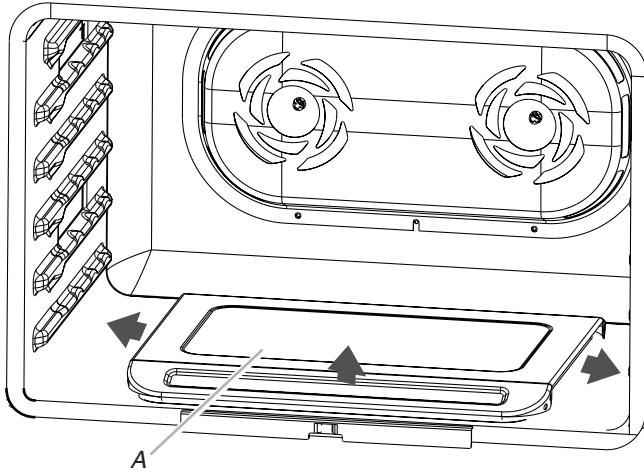
10. Vuelva a instalar los tornillos a cada lado de la consola de control.
11. Reemplace los biseles con los dos tornillos que se unen a los soportes de la válvula, teniendo en cuenta que hay biseles delanteros y traseros y que solo se acomodarán de forma adecuada en la ubicación correcta de la consola.

12. Empuje las perillas de la superficie en los vástagos de la válvula.
13. Vuelva a colocar las rejillas de los quemadores.

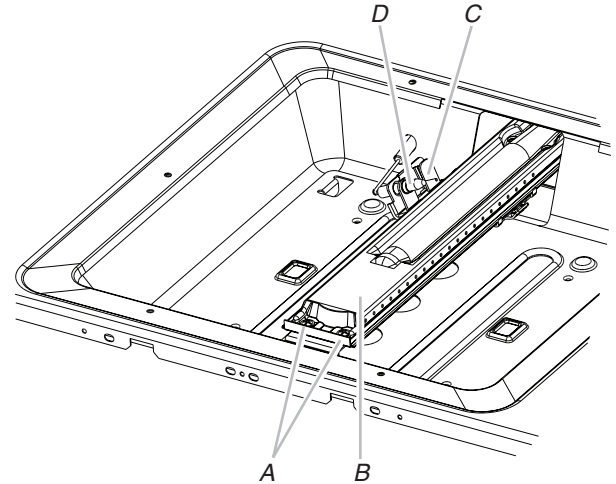
4. Retire los tornillos del quemador para hornear del horno y retire el quemador para hornear. Gire el quemador 90° hacia la izquierda y apóyelo con cuidado sobre su costado.

Convierta el quemador para hornear del horno (modelos de 30" [76,2 cm] y 36" [91,4 cm] y la cavidad del horno derecho en modelos de 48" [121,9 cm])

1. Deslice la cubierta del quemador para hornear hacia la derecha o la izquierda.



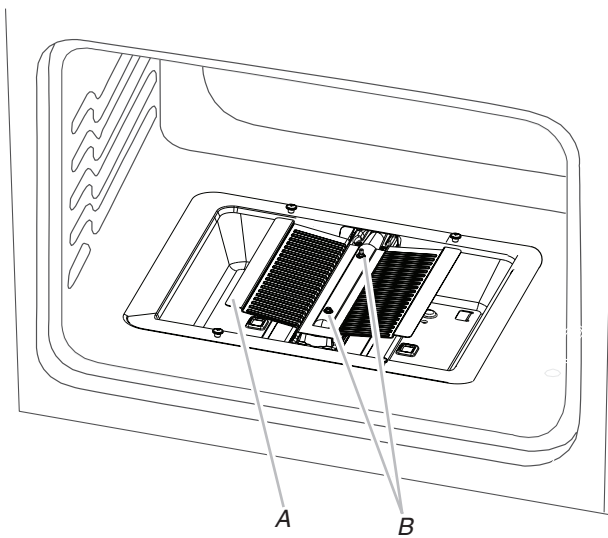
A. Cubierta del quemador para hornear



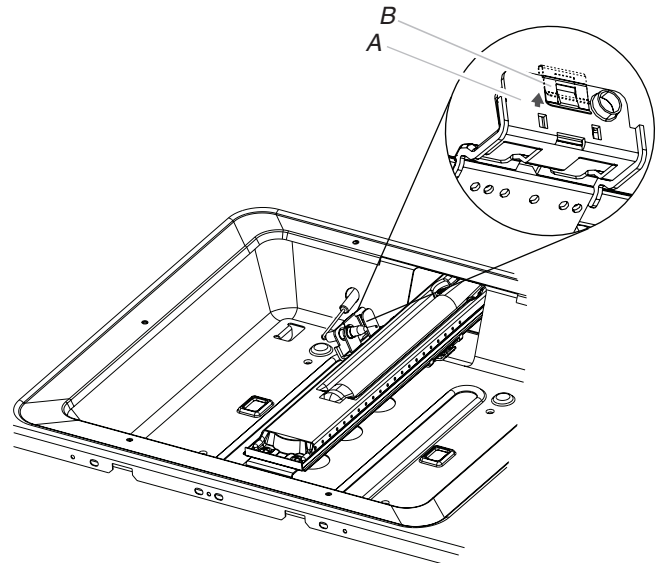
- A. Tornillos del quemador para hornear del horno
- B. Quemador para hornear del horno
- C. Soporte del electrodo del quemador para hornear del horno
- D. Electrodo del quemador para hornear del horno

2. Levante y retire la cubierta del quemador para hornear del horno y déjela a un lado.
3. Con una llave para tuercas de 1/4" (6,4 mm), desenrosque las tuercas del deflector y retire el deflector del horno. Deje a un lado.

5. Levante el broche del soporte del electrodo del quemador para hornear del horno con el dedo o con un destornillador de hoja plana y retire el electrodo.

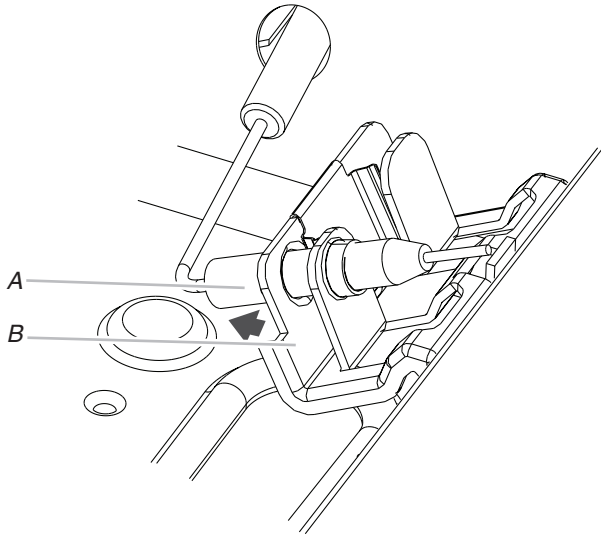


A. Deflector del horno
B. Tuercas del deflector del horno



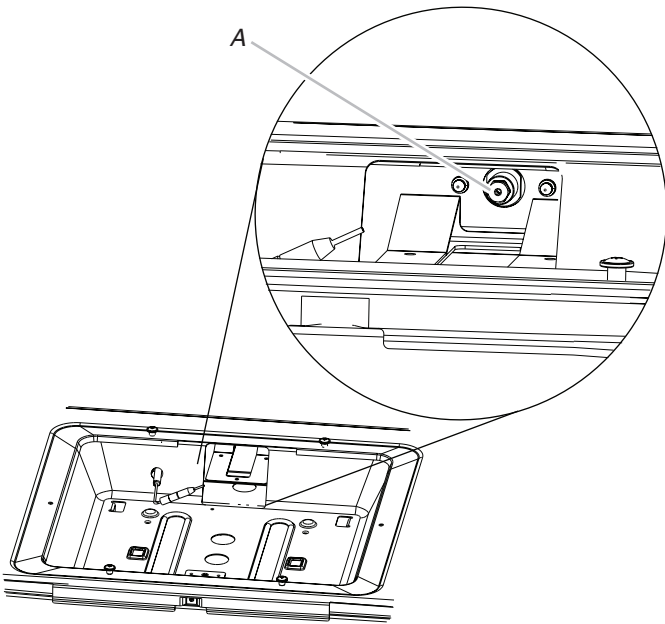
- A. Soporte del electrodo del quemador para hornear del horno
- B. Broche del soporte del electrodo

6. Tire del electrodo para retirarlo del soporte.



A. Tome el electrodo de aquí
B. Soporte

7. Aplique cinta adhesiva protectora al extremo de una llave para tuercas de 1/4" (6,4 mm) para ayudar a mantener el tornillo de los orificios de gas en dicha llave mientras lo cambia. Inserte la llave para tuercas en la abertura de gas y presione hacia abajo sobre el tornillo de los orificios de gas; sáquelo girándolo en sentido antihorario y levantándolo hacia afuera. Deje a un lado el tornillo de los orificios de gas.

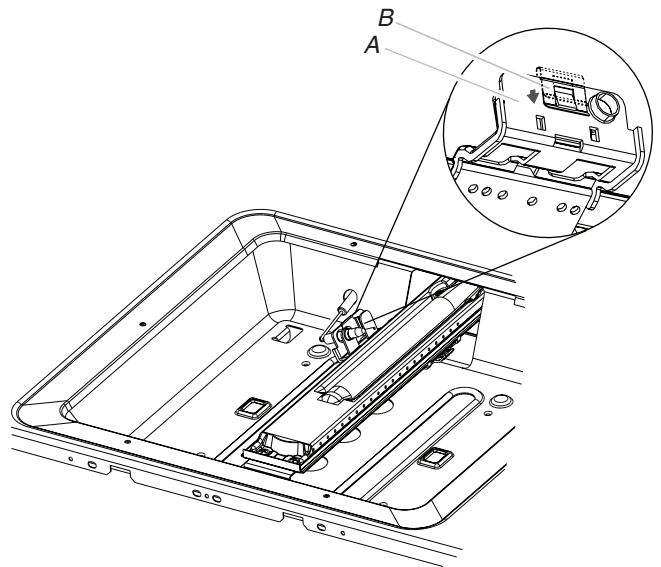


A. Tornillo de orificios de gas propano

8. Los tornillos de los orificios de gas propano tienen grabado una letra y un número. Instale el tornillo de orificio del quemador para hornear del horno número 125.

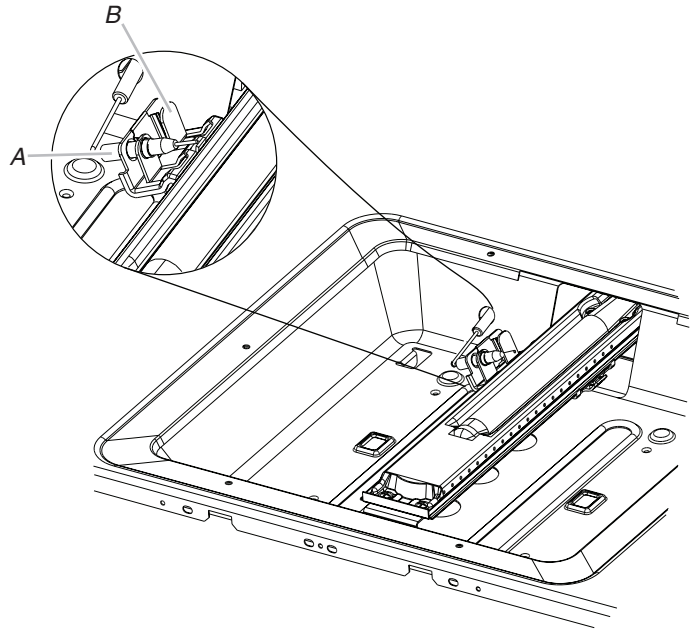
9. Coloque el orificio de gas natural en la bolsa plástica con las piezas para utilizarlo en el futuro y guarde con el paquete con el material impreso.

10. Presione el broche sobre el soporte del electrodo.



A. Soporte del electrodo del quemador para hornear del horno
B. Broche del soporte del electrodo

11. Vuelva a colocar el electrodo del quemador para hornear del horno dentro del soporte.



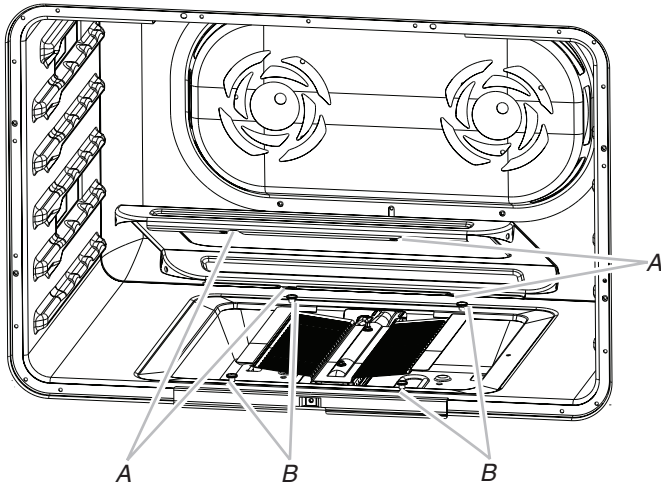
A. Electrodo del quemador para hornear del horno
B. Soporte del electrodo del quemador para hornear del horno

12. Vuelva a instalar el quemador para hornear del horno y los tornillos del quemador para hornear. Vea la ilustración en el paso 4.

13. Vuelva a colocar el deflector del horno y las tuercas del deflector. Los orificios delanteros quedarán alineados y se oirá un clic cuando el deflector se asiente.

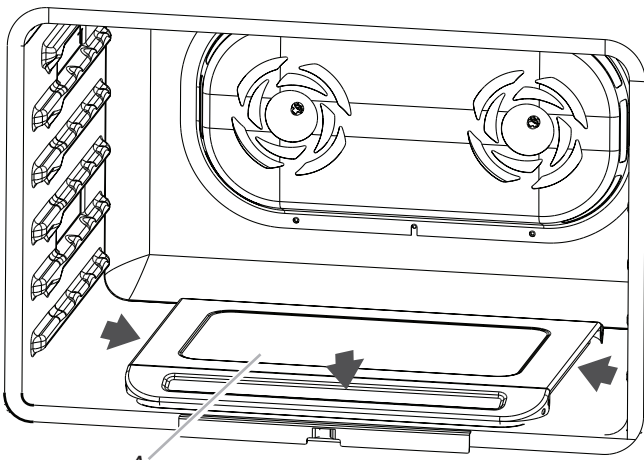
Vuelva a colocar la cubierta del quemador para hornear del horno

1. Alinee las muescas de la cubierta del quemador para hornear con los tornillos de tope que están en la parte inferior del horno.



A. Muecas de la cubierta (4)
B. Tornillos de tope (4)

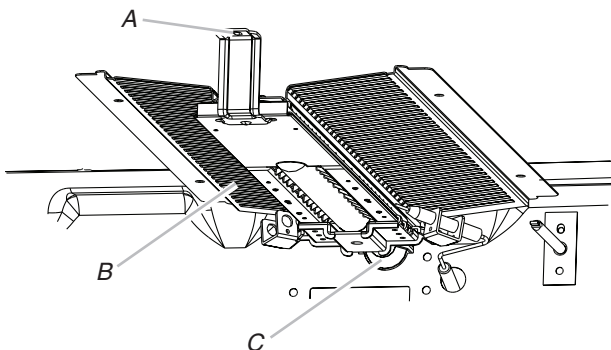
2. Descienda la cubierta y deslice hacia la derecha o la izquierda para que los tornillos de tope se deslicen dentro de los extremos estrechos de las muescas; después, trabe en su lugar.



A. Cubierta del quemador para hornear

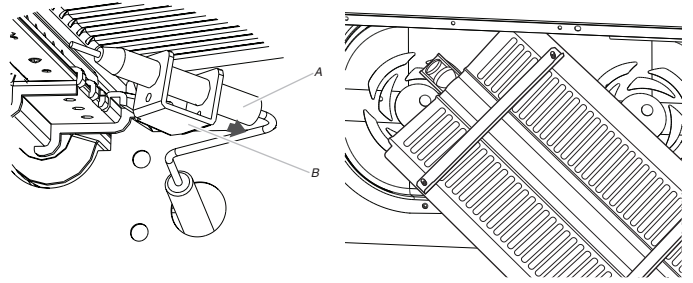
Convierta el quemador para asar del horno (modelos de 30" [76,2 cm] y 36" [91,4 cm] y la cavidad del horno derecho en modelos de 48" [121,9 cm])

1. Con una llave para tuercas de 1/4" (6,4 mm), retire el tornillo del quemador para asar. Deje a un lado con el encendedor lateral ubicado a la derecha.



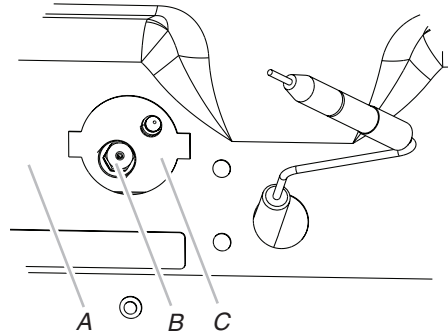
A. Tornillo del quemador para asar
B. Quemador para asar
C. Agujero del orificio del quemador para asar

2. Tire del quemador para asar hacia usted hasta que se deslice fuera del orificio en la parte trasera del horno y tire del electrodo para retirarlo del soporte. El quemador para asar colgará en la parte trasera del horno mientras se cambia el orificio.



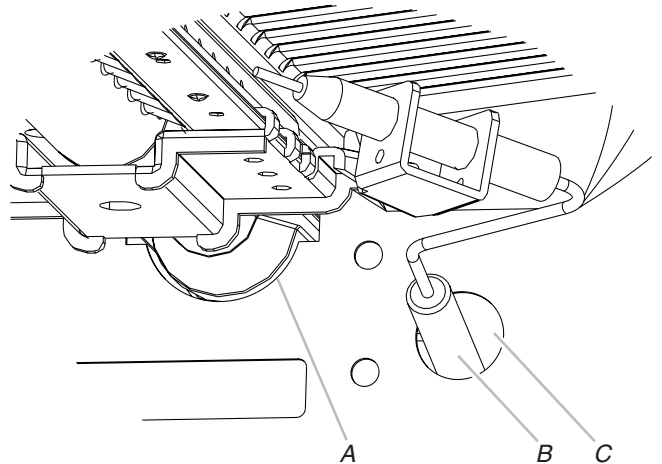
A. Tome el electrodo de aquí
B. Soporte
Quemador para asar colgando en la parte trasera del horno

3. Aplique cinta adhesiva protectora al extremo de una llave para tuercas de 1/4" (6,4 mm) para ayudar a mantener el tornillo de los orificios de gas en dicha llave mientras lo cambia. Inserte la llave para tuercas en la abertura de gas y presione hacia abajo sobre el tornillo de los orificios de gas; sáquelo girándolo en sentido antihorario y levantándolo hacia afuera. Deje a un lado el tornillo de los orificios de gas.



A. Parte trasera del horno
B. Orificio del quemador para asar
C. Agujero del orificio del quemador para asar

4. Los tornillos de los orificios de gas propano tienen grabado una letra y un número. Instale el tornillo de orificio del quemador para asar del horno número 90.
5. Coloque el orificio de gas natural en la bolsa plástica con las piezas para utilizarlo en el futuro y guarde con el paquete con el material impreso.
6. Vuelva a colocar el quemador para asar en el orificio de la parte trasera del horno con el conjunto del quemador para asar dentro del orificio del electrodo del quemador para asar, como se ilustra.

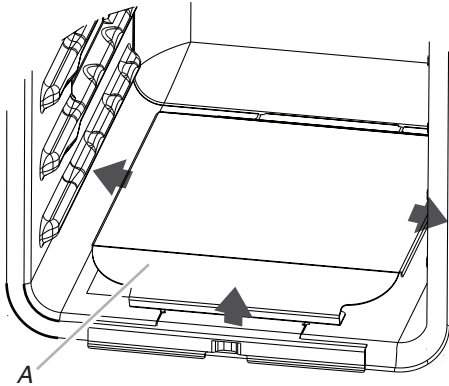


A. Agujero del orificio del quemador para asar
B. Electrodo del quemador para asar
C. Agujero del electrodo del quemador para asar

7. Vuelva a instalar el tornillo del quemador para asar del horno. Vea la ilustración en el paso 1. El tornillo queda alineado con el orificio cuando se oye un clic.

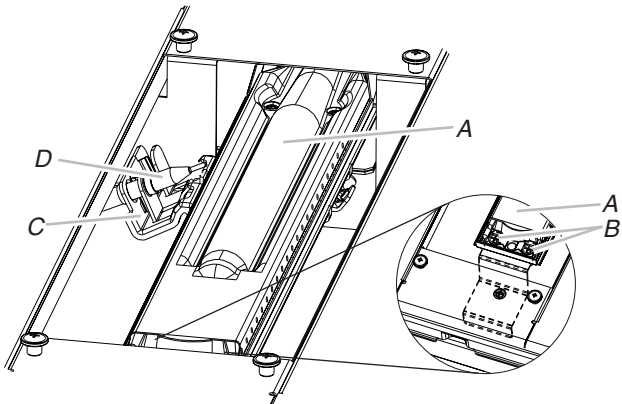
Convierta el quemador para hornear del horno
Convierta el quemador para hornear del horno
(cavidad del horno izquierda en los modelos de
48" [121,9 cm])

1. Saque las parrillas del horno. Vea la sección "Retire las parrillas".
2. Retire la puerta del horno. Vea la sección "Retire la puerta del horno".
3. Deslice la cubierta del quemador para hornear hacia la derecha o la izquierda.



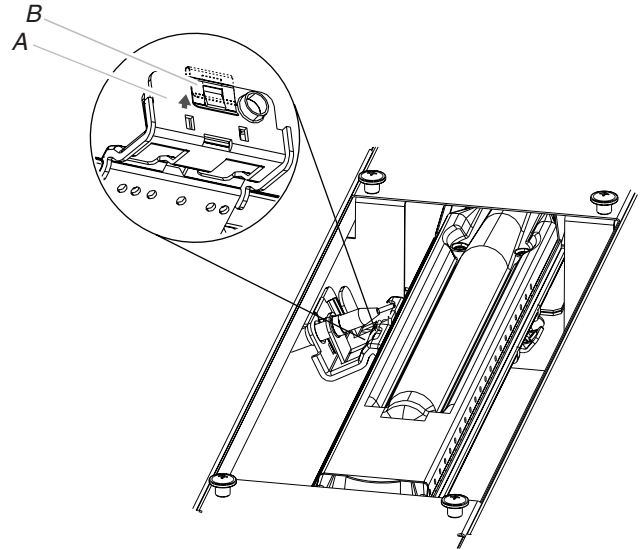
A. Cubierta del quemador para hornear

4. Levante y retire la cubierta del quemador para hornear del horno y déjela a un lado.
5. Retire los tornillos del quemador para hornear del horno y retire el quemador para hornear y deje a un lado con cuidado.



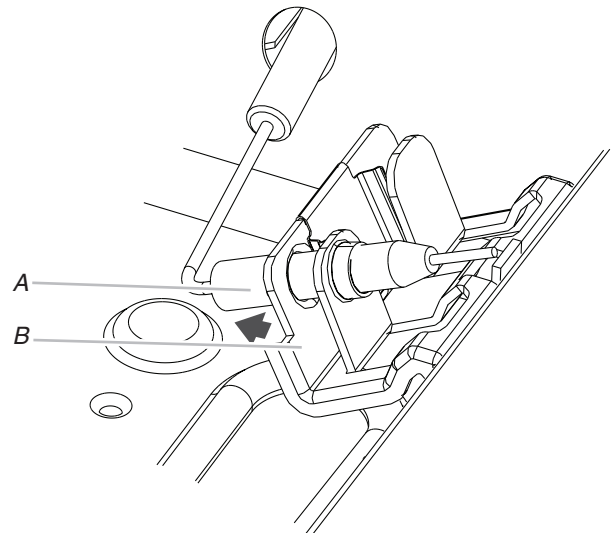
A. Quemador para hornear del horno
 B. Tornillos del quemador para hornear del horno
 C. Soporte del electrodo del quemador para hornear del horno
 D. Electrodo del quemador para hornear del horno

6. Levante el broche del soporte del electrodo del quemador para hornear del horno con el dedo o con un destornillador de hoja plana.



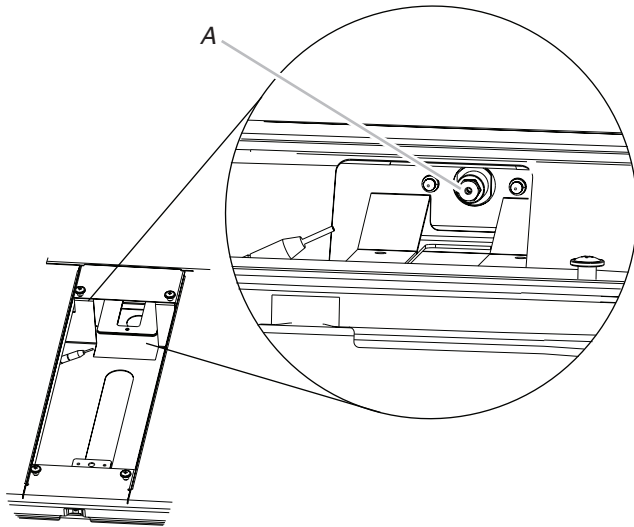
A. Soporte del electrodo del quemador para hornear del horno
 B. Broche del soporte del electrodo

7. Tire del electrodo para retirarlo del soporte.



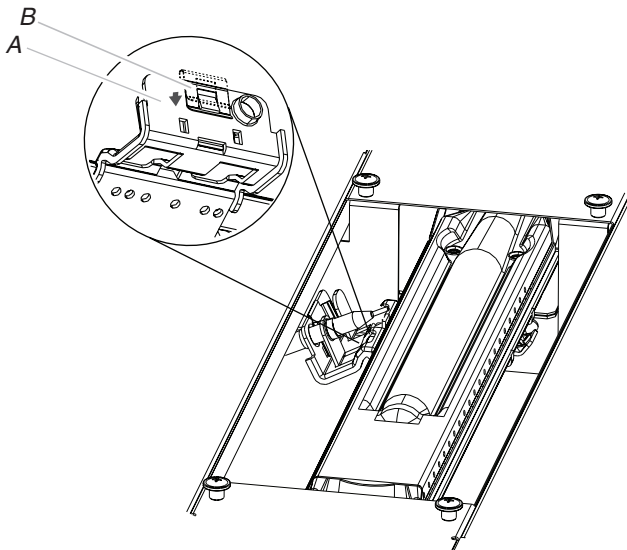
A. Tome el electrodo de aquí
 B. Soporte

8. Aplique cinta adhesiva protectora al extremo de una llave para tuercas de 1/4" (6,4 mm) para ayudar a mantener el tornillo de los orificios de gas en dicha llave mientras lo cambia. Inserte la llave para tuercas en la abertura de gas y presione hacia abajo sobre el tornillo de los orificios de gas; sáquelo girándolo en sentido antihorario y levantándolo hacia afuera. Deje a un lado el tornillo de los orificios de gas.



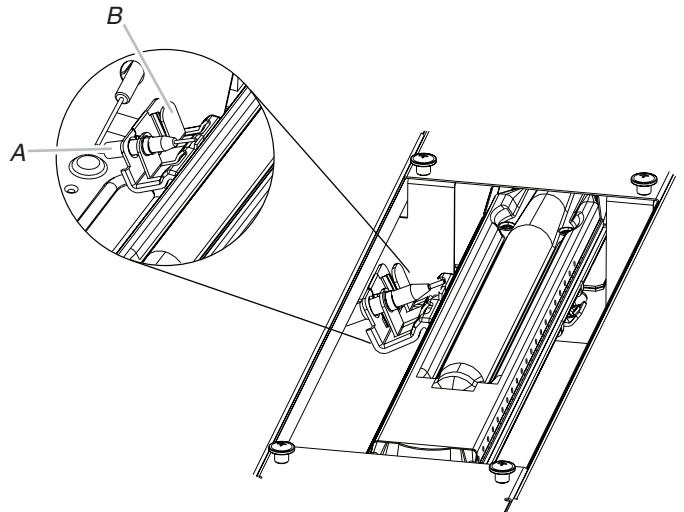
A. Tornillo de orificios de gas propano

9. Los tornillos de los orificios de gas propano tienen grabado una letra y un número. Instale el tornillo de orificio del quemador para hornear del horno número 105.
10. Coloque el orificio de gas natural en la bolsa plástica con las piezas para utilizarlo en el futuro y guarde con el paquete con el material impreso.
11. Presione el broche sobre el soporte del electrodo.



A. Soporte del electrodo del quemador para hornear del horno
B. Broche del soporte del electrodo

12. Vuelva a colocar el electrodo del quemador para hornear del horno dentro del soporte.

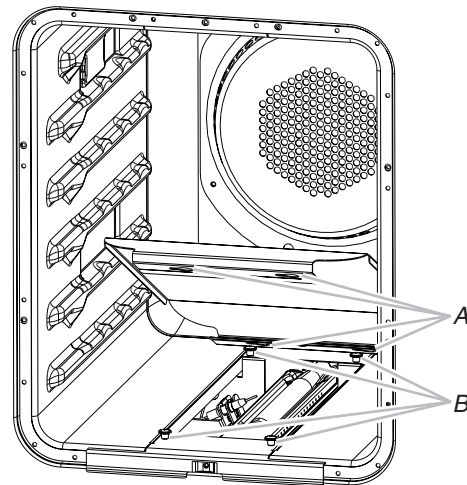


A. Electrodo del quemador para hornear del horno
B. Soporte del electrodo del quemador para hornear del horno

13. Vuelva a instalar el quemador para hornear del horno y los tornillos del quemador para hornear. Vea la ilustración en el paso 5.

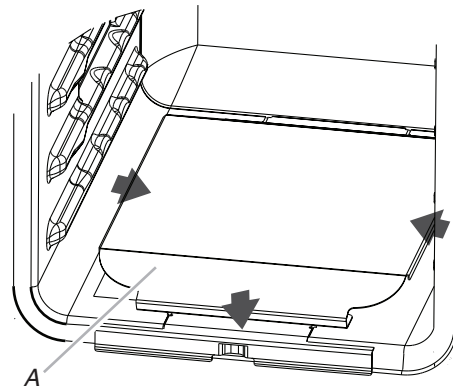
Vuelva a colocar la cubierta del quemador para hornear del horno

1. Alinee los orificios de montaje (chaveteros) de los tornillos de tope posteriores en la cubierta del quemador para hornear del horno con los tornillos de tope que están en la parte inferior del horno.



A. Orificios de montaje (chaveteros) de los tornillos de tope
B. Tornillos de tope

2. Deje caer la cubierta y deslice hacia la derecha o la izquierda para que los tornillos de tope se deslicen dentro de los extremos estrechos de los chaveteros; después, trabe en su lugar.



A. Cubierta del quemador para hornear

Instalación completa

1. Consulte la sección "Conexión del suministro de gas" para conectar la estufa correctamente al suministro de gas.
2. Consulte la sección "Sistema de encendido electrónico" para los ajustes apropiados de encendido, funcionamiento y llama del quemador.

IMPORTANTE: Es posible que tenga que regular el ajuste bajo para cada quemador de la estufa. Es muy importante verificar la llama adecuada del quemador de la estufa. El cono interno pequeño debe tener una llama azul bien nítida de 1/4" a 1/2" (de 6,4 mm a 1,3 cm) de longitud. El cono exterior no es tan nítido como el cono interior. Las llamas de gas propano tienen una punta de color ligeramente amarillo.

3. Consulte "Complete la instalación" en la sección "Instrucciones de instalación" de este manual para completar este procedimiento.

Conversión a gas natural

⚠ ADVERTENCIA



Peligro de Vuelco

Un niño o un adulto puede volcar accidentalmente la estufa y resultar muerto.

Instale el soporte anti-vuelco al piso o a la pared según las instrucciones de instalación.

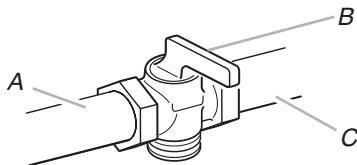
Deslice la estufa hacia atrás de modo que la pata trasera quede enganchada en la ranura del soporte anti-vuelco.

Si traslada de lugar la estufa, vuelva a asegurar el soporte anti-vuelco.

No ponga a funcionar la estufa sin tener el soporte anti-vuelco instalado y asegurado.

No seguir estas instrucciones puede ocasionar la muerte o quemaduras graves en niños y adultos.

1. Lleve la válvula de cierre manual a la posición cerrada.



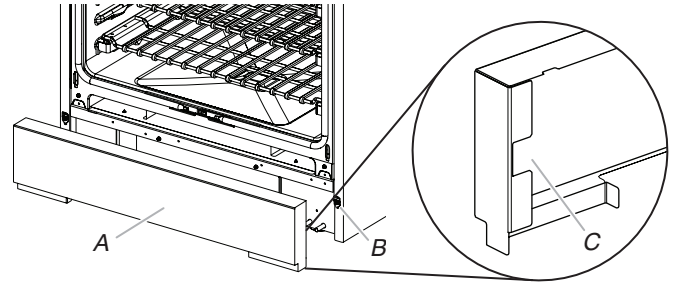
- A. A la estufa
- B. Válvula de cierre (posición cerrada)
- C. Línea de suministro de gas

2. Desenchufe la estufa o desconecte el suministro eléctrico.

Para convertir el regulador de presión de gas de gas propano a gas natural

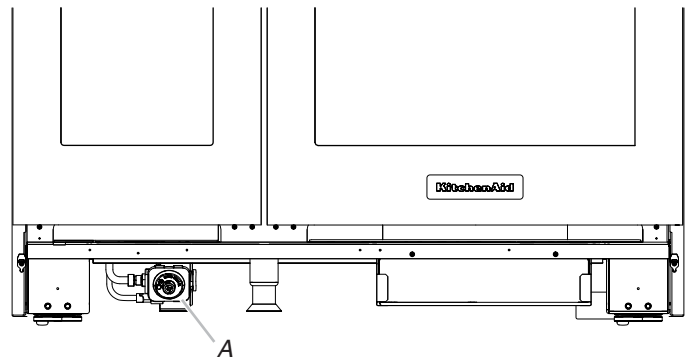
NOTA: Debe quitarse la puerta para extraer o reemplazar la placa de protección. Consulte la sección "Para quitar la puerta".

1. Levante la placa de protección y retírela de la pestaña de la misma placa.



- A. Protección de puerta
- B. Lengüeta de la placa de protección
- C. Ranura de la placa de protección

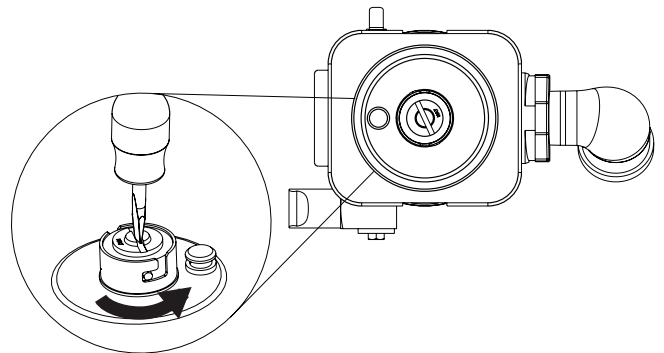
2. Mueva suavemente la protección de puerta hacia el lado para evitar rayar el acero inoxidable.
3. Localice el regulador de presión de gas en la parte trasera izquierda de la estufa.



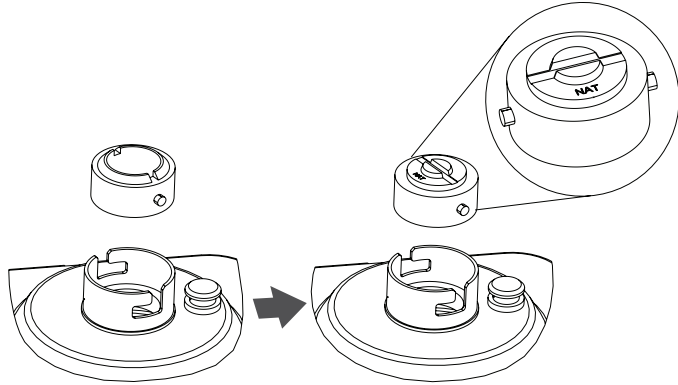
- A. Regulador de presión de gas

4. Retire la tapa del regulador de presión de gas con un destornillador grande de hoja plana para girar la tapa del regulador en sentido antihorario.

NOTA: No quite el resorte que está debajo de la tapa.



- Invierta la tapa del regulador de presión de gas y vuelva a instalarla sobre el regulador de modo que el extremo hueco mire hacia adentro y la marca "NAT" quede visible.



- Apriete la tapa del regulador de presión de gas con un destornillador grande de hoja plana para girar la tapa del regulador en sentido horario.
- Pruebe el regulador de presión y la tubería de suministro de gas. El regulador debe revisarse en una columna de agua de un mínimo de 1" (2,5 cm) sobre la presión establecida. La presión de entrada al regulador debe ser la siguiente para el funcionamiento y para verificar el ajuste del regulador:

Gas Natural:

Presión mínima: 5" (12,7 cm) de presión de la columna de agua
 Presión máxima: 14" (35,6 cm) de presión de la columna de agua

Prueba de presión del suministro de gas

La presión del suministro de gas para un regulador de prueba debe ser de al menos 1" (2,5 cm) de presión de la columna de agua superior a la presión del múltiple que se muestra en la placa que indica modelo/serie.

Prueba de presión de línea sobre 1/2 psi (3,5 kPa) de manómetro 14" (35,6 cm) de presión de la columna de agua (WCP)

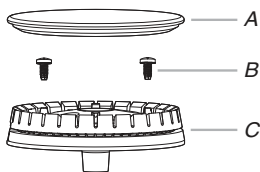
La estufa y su válvula de cierre individual deben desconectarse del sistema de tubería de suministro de gas durante cualquier prueba de presión efectuada en el sistema con presiones de prueba superiores a 1/2 psi (3,5 kPa).

Prueba de presión de la línea a 1/2 psi (3,5 kPa) de manómetro 14" (35,6 cm) de WCP o menos

Se debe cerrar la válvula de cierre individual manual para aislar la estufa del sistema de tubería de suministro de gas durante cualquier prueba de presión efectuada en el sistema con presiones de prueba de 1/2 psi (3,5 kPa) o menos

Para convertir quemadores de superficie de gas propano a gas natural

- Si las rejillas de los quemadores están instaladas, retírelas.
- Retire la tapa del quemador.
- Retire la base del quemador quitando primero los tornillos T-20 (2).



Quemador

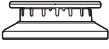

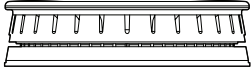
- A. Tapa del quemador
 B. Tornillos
 C. Base del quemador

- Aplique cinta adhesiva protectora al extremo de una llave para tuercas de 7 mm para ayudar a mantener el tornillo de los orificios de gas natural en la llave para tuercas mientras lo cambia. Inserte la llave para tuercas en la abertura de gas y presione hacia abajo sobre el tornillo de los orificios de gas propano y sáquelo girándolo en sentido antihorario y levantándolo hacia afuera. Deje a un lado el tornillo de los orificios de gas propano.

- Reemplace con un tornillo para orificios de gas natural correcto. Vea la "Tabla de tornillos/campanas para orificios de gas natural".

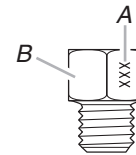
Use la tabla que sigue para encontrar la ubicación exacta del tornillo para orificio.

Tabla de tornillos/campanas para orificios de gas natural

Valor nominal del quemador	Sello	Tamaño	Estilo de quemadores
5,000 BTU	99	0,99 mm	Quemador pequeño 
15,000 BTU	175	1,75 mm	Quemador mediano 
20,000 BTU	203 78	2,03 mm 0,78 mm	Quemador grande, principal Quemador grande, fuego lento 

NOTA: Consulte la etiqueta de serie para ver más información sobre el valor nominal del quemador y las ubicaciones.

Tornillo para orificio de quemador

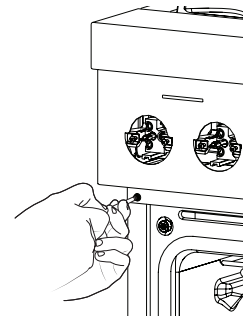


- A. Estampado de tamaño
 B. Sello con tipo de combustible (L o N)

- Deje las tuercas para el orificio de gas propano en bolsas plásticas para utilizarlas en el futuro y guarde el paquete con la documentación.
- Vuelva a colocar la base del quemador y los tornillos. Apriete los tornillos solo hasta que el quemador esté ajustado a la superficie de cocción, no los apriete demasiado.
- Vuelva a colocar la tapa del quemador.
- Repita los pasos 2 a 8 para el resto de los quemadores.

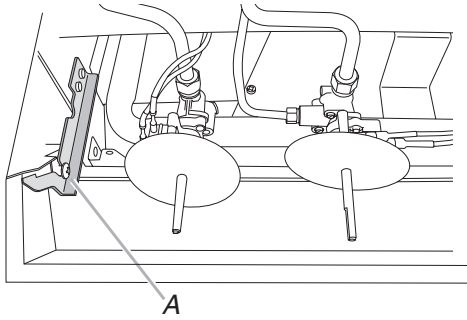
Para ajustar el fuego lento en los quemadores de superficie para gas natural

- Desenchufe la estufa o desconecte el suministro eléctrico.
- Con el destornillador con punta de barrena, retire las perillas de control y los biseles de los quemadores de superficie (no es necesario quitar las perillas de control del horno ni las de control de la plancha).
- Abra la puerta del horno y retire los dos tornillos a cada lado de la estufa que sostienen la consola de control.



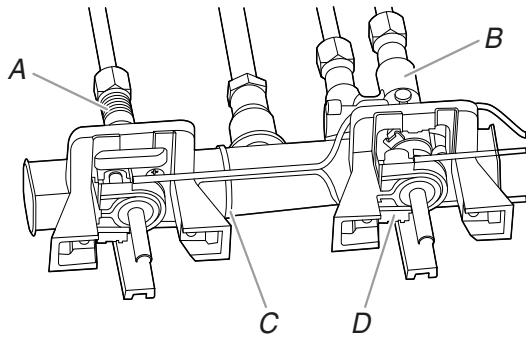
NOTA: Asegúrese de dejar la puerta abierta o la consola de control no se apoyará como corresponde en los soportes laterales una vez colocada.

- Levante la consola de control y deje que caiga hacia delante en los soportes ranurados de la consola a cada lado.

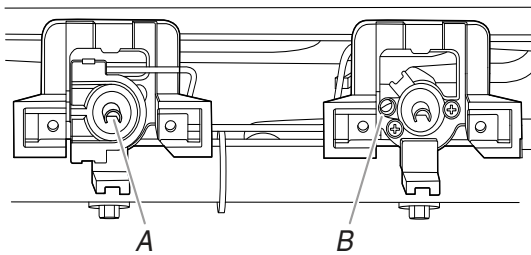


A. Soporte de la consola de control

- Localice el tornillo de ajuste de bajo-reducción para el quemador apropiado en la válvula dada. El tornillo de ajuste de bajo-reducción para las válvulas del quemador trasero izquierdo, trasero derecho, trasero central y delantero central (aluminio) se encuentra a través del centro del vástago de la válvula. El tornillo de ajuste de bajo-reducción para las válvulas del quemador frontal izquierdo y frontal derecho (cobre) se encuentra detrás del interruptor de ignición en el cuerpo de la válvula, a la izquierda del vástago. Para quitar el interruptor de ignición, corte la atadura de alambre y apague el interruptor del vástago de la válvula.



- A. Válvula de aluminio para los quemadores trasero izquierdo, trasero derecho, trasero central y frontal central.
- B. Válvula de cobre para los quemadores frontal izquierdo y frontal derecho dual.
- C. Atadura de alambre
- D. Interruptor de ignición



- A. Tornillo de ajuste bajo-reducción para la válvula de aluminio a través del centro del vástago.
- B. Tornillo de ajuste bajo-reducción para la válvula de cobre.

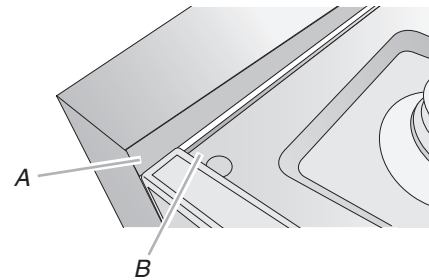
- Con el quemador en ON (ENCENDIDO) (el quemador tendrá que encenderse manualmente con un encendedor), y configurado para fuego lento en LOW (BAJO), ajuste la flama para fuego lento hacia arriba con el nivel adecuado de BTU. Con un destornillador de hoja plana de 1/8" x 4 1/4" (3,2 mm x 10,8 cm), gire el tornillo de ajuste de bajo-reducción a fuego lento en el sentido antihorario hasta que la altura de la flama esté por debajo de la parte inferior de la tapa. Si la flama se vuelve inestable y parpadea o parece correr alrededor del quemador, el ajuste es demasiado bajo y el tornillo debe ajustarse en sentido antihorario hasta que la flama sea estable. Repita este paso para todos los quemadores de superficie.

NOTA: Use una perilla para ajustar la válvula del quemador.

NOTA: Ajuste cada quemador individualmente.

- Después de terminar con todos los ajustes, vuelva a poner los interruptores de ignición en las válvulas.
- Levante la consola de control y vuelva a ponerla en su lugar. Para lograr el ajuste adecuado, la lengüeta de la consola de control debe engancharse sobre el borde de la parte delantera de la superficie de la superficie de cocción.

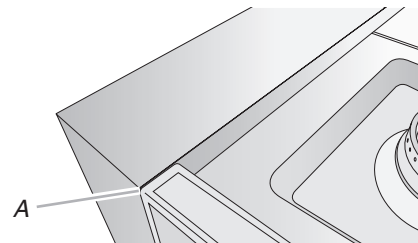
NOTA: Podría requerirse elevar los vástagos de las válvulas para que se alineen con los orificios de la consola.



A. Lengüeta de la consola de control

B. Borde delantero de la superficie de cocción de la estufa

- Verifique que la consola de control esté al ras con el borde superior de la estufa.

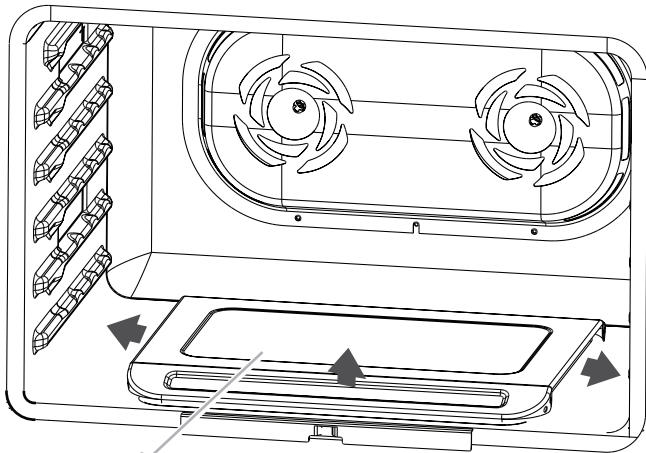


A. Al ras con la parte superior de la estufa

- Vuelva a instalar los tornillos a cada lado de la consola de control.
- Reemplace los biseles con los dos tornillos que se unen a los soportes de la válvula, teniendo en cuenta que hay biseles delanteros y traseros y que solo se acomodarán de forma adecuada en la ubicación correcta de la consola.
- Empuje las perillas de la superficie en los vástagos de la válvula.
- Vuelva a colocar las rejillas de los quemadores.

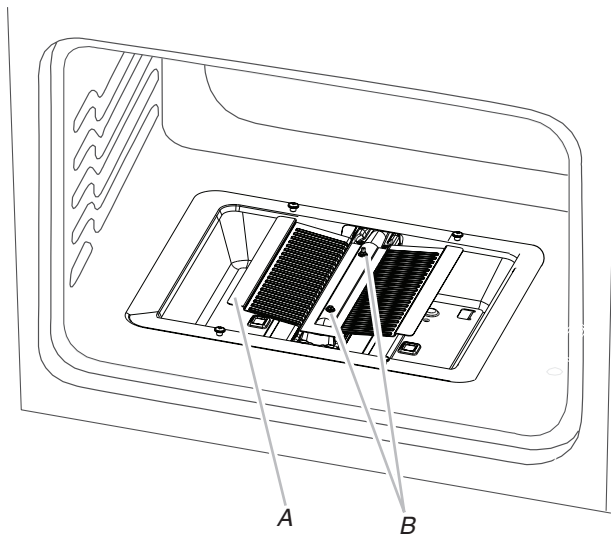
Convierta el quemador para hornear del horno (modelos de 30" [76,2 cm] y 36" [91,4 cm] y la cavidad del horno derecho en modelos de 48" [121,9 cm])

1. Deslice la cubierta del quemador para hornear hacia la derecha o la izquierda.



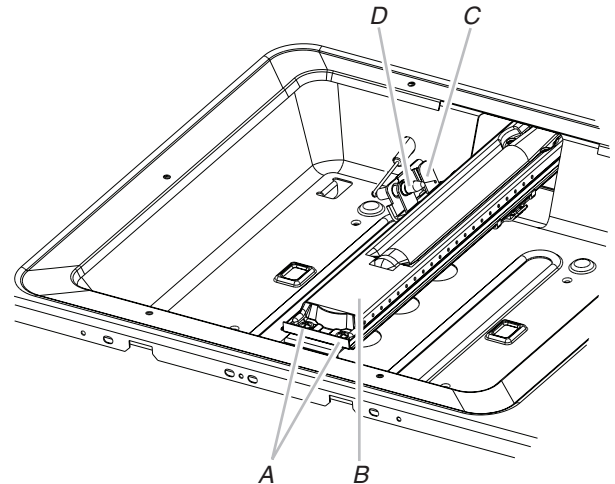
A. Cubierta del quemador para hornear

2. Levante y retire la cubierta del quemador para hornear del horno y déjela a un lado.
3. Con una llave para tuercas de 1/4" (6,4 mm), desenrosque las tuercas del deflector y retire el deflector del horno. Deje a un lado.



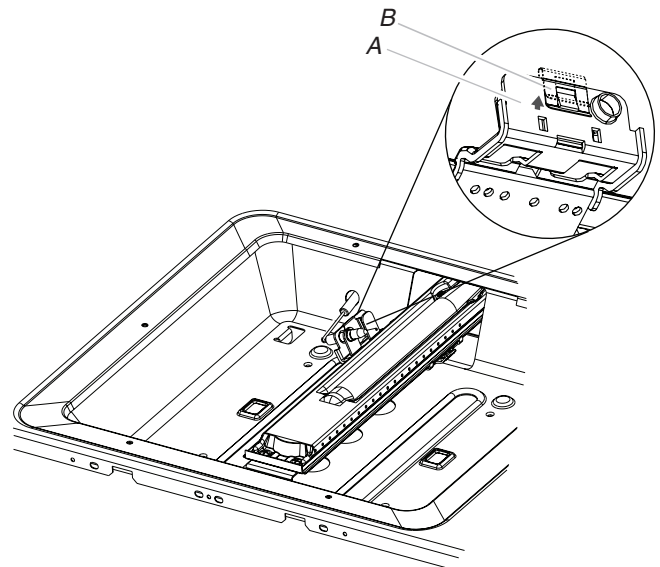
A. Deflector del horno
B. Tuercas del deflector del horno

4. Retire los tornillos del quemador para hornear del horno y retire el quemador para hornear. Gire el quemador 90° hacia la izquierda y apóyelo con cuidado sobre su costado.



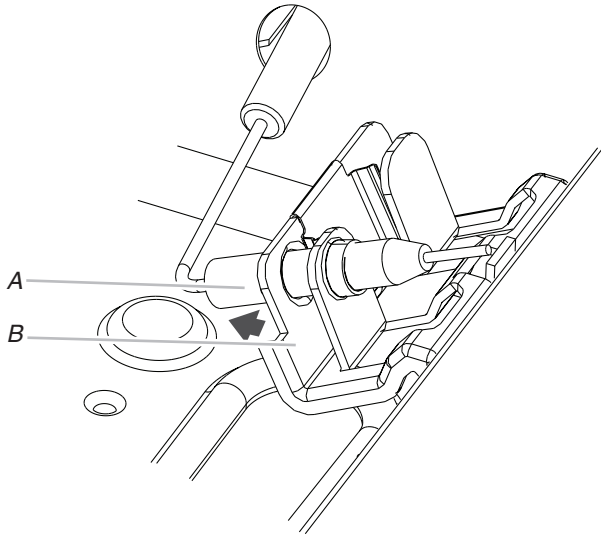
A. Tornillos del quemador para hornear del horno
B. Quemador para hornear del horno
C. Soporte del electrodo del quemador para hornear del horno
D. Electrodo del quemador para hornear del horno

5. Levante el broche del soporte del electrodo del quemador para hornear del horno con el dedo o con un destornillador de hoja plana y retire el electrodo.



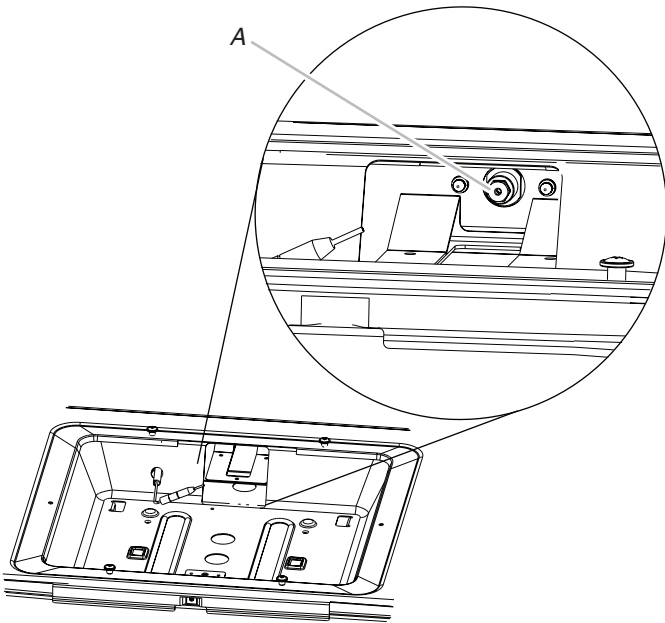
A. Soporte del electrodo del quemador para hornear del horno
B. Broche del soporte del electrodo

6. Tire del electrodo para retirarlo del soporte.



A. Tome el electrodo de aquí
B. Soporte

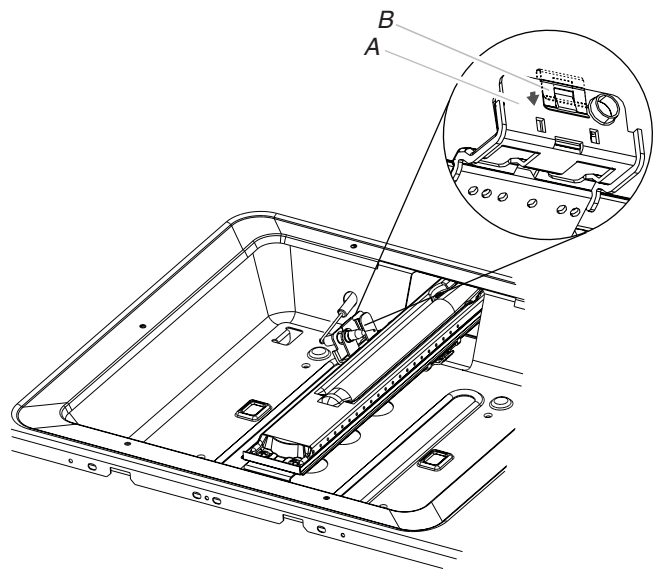
7. Aplique cinta adhesiva protectora al extremo de una llave para tuercas de 1/4" (6,4 mm) para ayudar a mantener el tornillo de los orificios de gas en dicha llave mientras lo cambia. Inserte la llave para tuercas en la abertura de gas y presione hacia abajo sobre el tornillo de los orificios de gas propano; sáquelo girándolo en sentido antihorario y levantándolo hacia afuera. Deje a un lado el tornillo de los orificios de gas propano.



A. Tornillo de orificios de gas propano

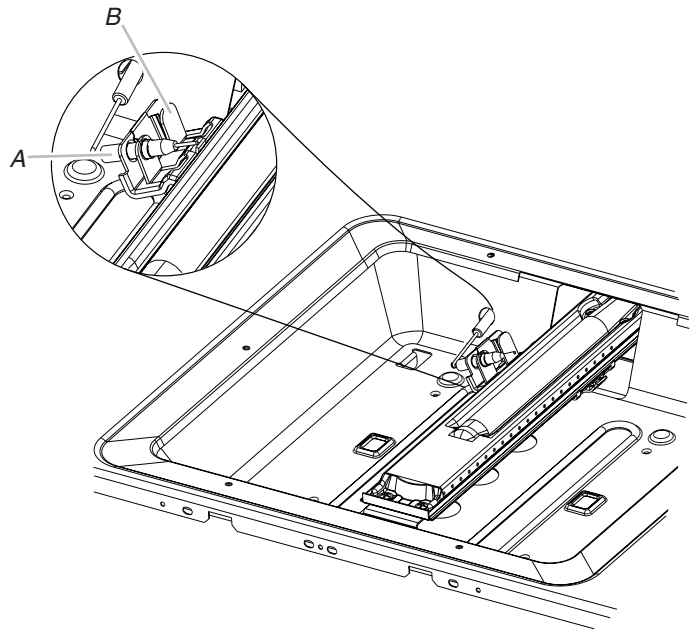
8. Los tornillos de los orificios de gas natural tienen grabado una letra y un número. Instale el tornillo de orificio del quemador para hornear del horno número 189.
9. Coloque el orificio de gas propano en la bolsa plástica con las piezas para utilizarlo en el futuro y guarde con el paquete con el material impreso.

10. Presione el broche sobre el soporte del electrodo.



A. Soporte del electrodo del quemador para hornear del horno
B. Broche del soporte del electrodo

11. Vuelva a colocar el electrodo del quemador para hornear del horno dentro del soporte.



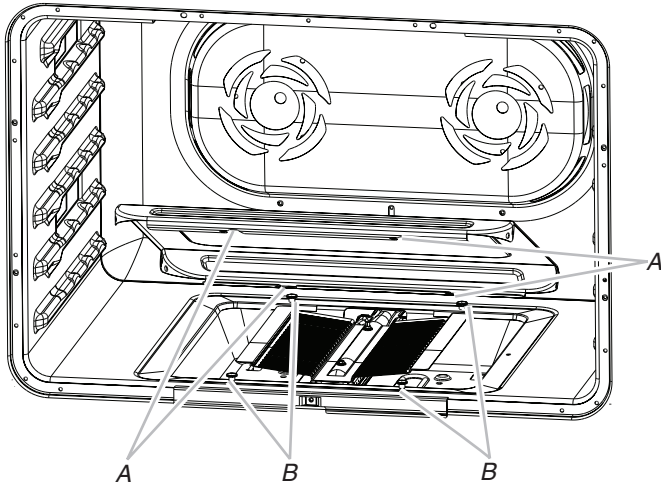
A. Electrodo del quemador para hornear del horno
B. Soporte del electrodo del quemador para hornear del horno

12. Vuelva a instalar el quemador para hornear del horno y los tornillos del quemador para hornear. Vea la ilustración en el paso 4.

13. Vuelva a colocar el deflector del horno y las tuercas del deflector. Los orificios delanteros quedarán alineados y se oirá un clic cuando el deflector se asiente.

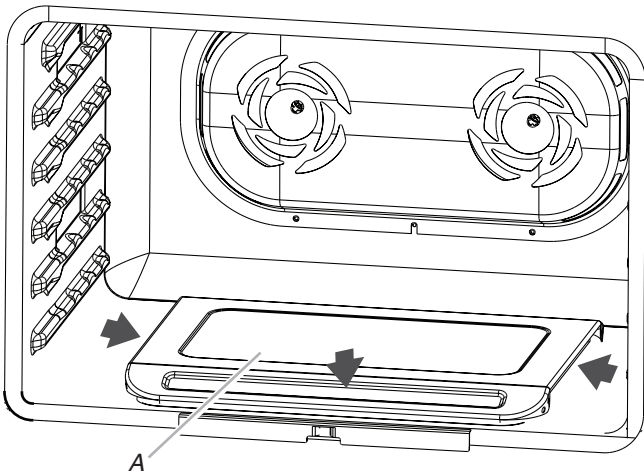
Vuelva a colocar la cubierta del quemador para hornear del horno

1. Alinee las muescas de la cubierta del quemador para hornear con los tornillos de tope que están en la parte inferior del horno.



A. Muecas de la cubierta (4)
B. Tornillos de tope (4)

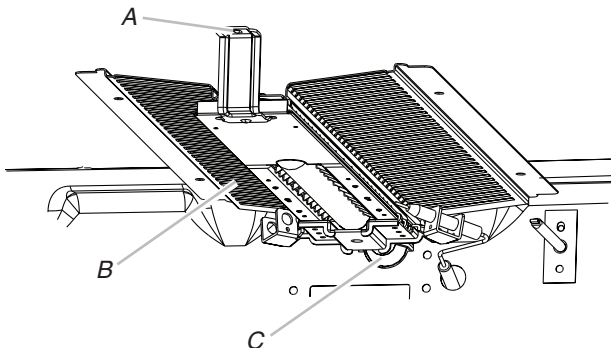
2. Descienda la cubierta y deslice hacia la derecha o la izquierda para que los tornillos de tope se deslicen dentro de los extremos estrechos de las muescas; después, trabe en su lugar.



A. Cubierta del quemador para hornear

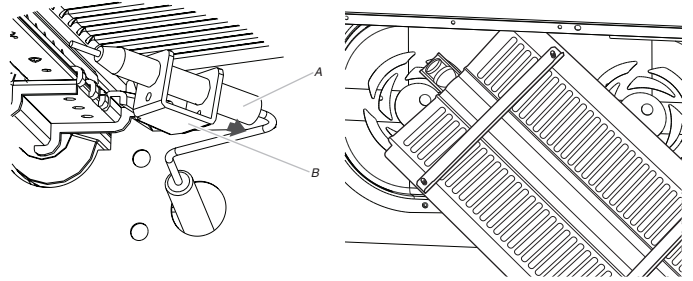
Convierta el quemador para asar del horno (modelos de 30" [76,2 cm] y 36" [91,4 cm] y la cavidad del horno derecho en modelos de 48" [121,9 cm])

1. Con una llave para tuercas de 1/4" (6,4 mm), retire el tornillo del quemador para asar. Deje a un lado con el encendedor lateral ubicado a la derecha.



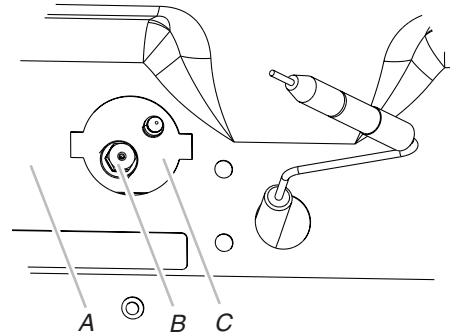
A. Tornillo del quemador para asar
B. Quemador para asar
C. Agujero del orificio del quemador para asar

2. Tire del quemador para asar hacia usted hasta que se deslice fuera del orificio en la parte trasera del horno y tire del electrodo para retirarlo del soporte. El quemador para asar colgará en la parte trasera del horno mientras se cambia el orificio.



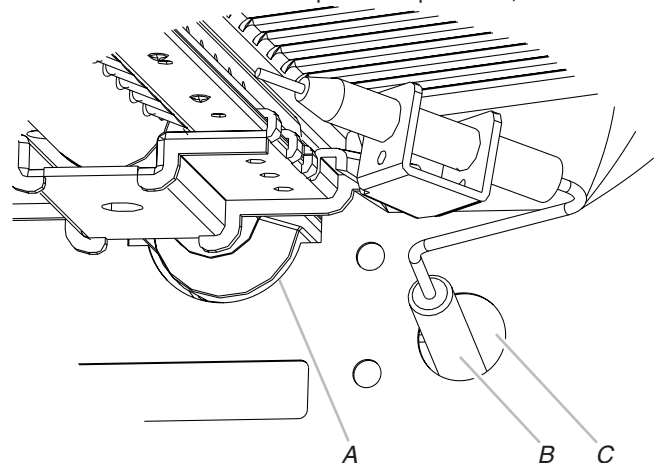
A. Tome el electrodo de aquí
B. Soporte
Quemador para asar colgando en la parte trasera del horno

3. Aplique cinta adhesiva protectora al extremo de una llave para tuercas de 1/4" (6,4 mm) para ayudar a mantener el tornillo de los orificios de gas en dicha llave mientras lo cambia. Inserte la llave para tuercas en la abertura de gas y presione hacia abajo sobre el tornillo de los orificios de gas propano; sáquelo girándolo en sentido antihorario y levantándolo hacia afuera. Deje a un lado el tornillo de los orificios de gas propano.



A. Parte trasera del horno
B. Orificio del quemador para asar
C. Agujero del orificio del quemador para asar

4. Los tornillos de los orificios de gas natural tienen grabado una letra y un número. Instale el tornillo de orificio del quemador para asar del horno número 148.
5. Coloque el orificio de gas propano en la bolsa plástica con las piezas para utilizarlo en el futuro y guarde con el paquete con el material impreso.
6. Vuelva a colocar el quemador para asar en el orificio de la parte trasera del horno con el conjunto del quemador para asar dentro del orificio del electrodo del quemador para asar, como se ilustra.

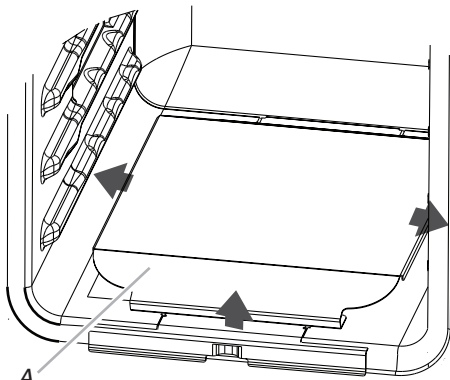


A. Agujero del orificio del quemador para asar
B. Electrodo del quemador para asar
C. Agujero del electrodo del quemador para asar

7. Vuelva a instalar el tornillo del quemador para asar del horno. Vea la ilustración en el paso 1. El tornillo queda alineado con el orificio cuando se oye un clic.

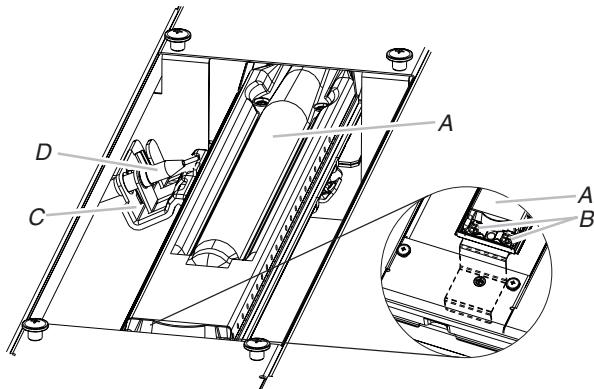
Convierta el quemador para hornear del horno (cavidad del horno izquierdo en los modelos de 48" [121,9 cm])

1. Saque las parrillas del horno. Vea la sección "Retire las parrillas".
2. Retire la puerta del horno. Vea la sección "Retire la puerta del horno".
3. Deslice la cubierta del quemador para hornear hacia la derecha o la izquierda.



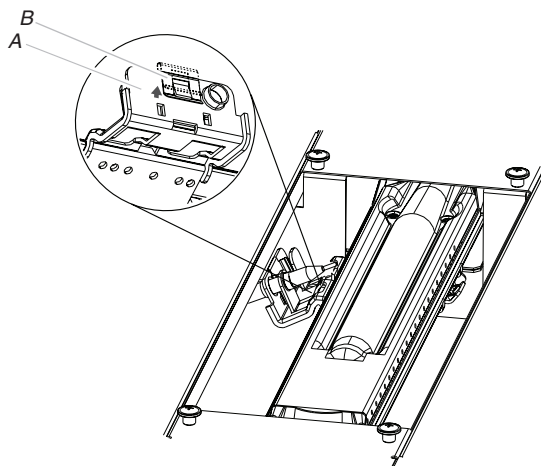
A. Cubierta del quemador para hornear

4. Levante y retire la cubierta del quemador para hornear del horno y déjela a un lado.
5. Retire los tornillos del quemador para hornear del horno y retire el quemador para hornear y deje a un lado con cuidado.



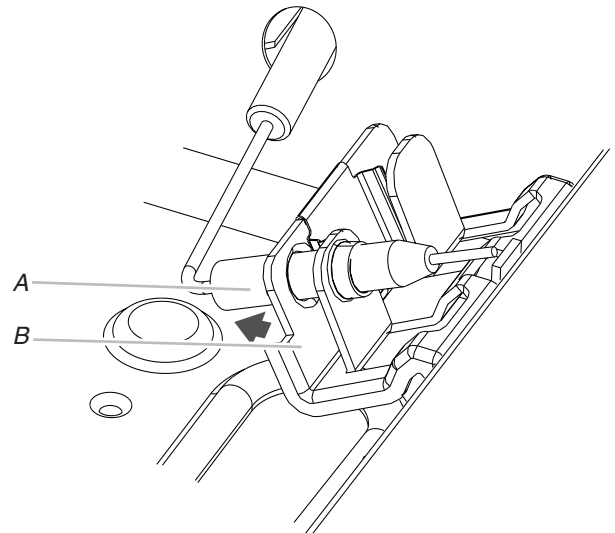
A. Quemador para hornear del horno
B. Tornillos del quemador para hornear del horno
C. Soporte del electrodo del quemador para hornear del horno
D. Electrodo del quemador para hornear del horno

6. Levante el broche del soporte del electrodo del quemador para hornear del horno con el dedo o con un destornillador de hoja plana.



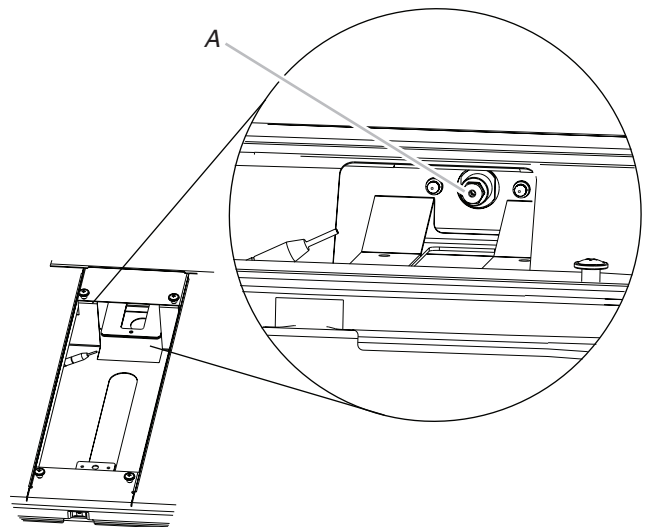
A. Soporte del electrodo del quemador para hornear del horno
B. Broche del soporte del electrodo

7. Tire del electrodo para retirarlo del soporte.



A. Tome el electrodo de aquí
B. Soporte

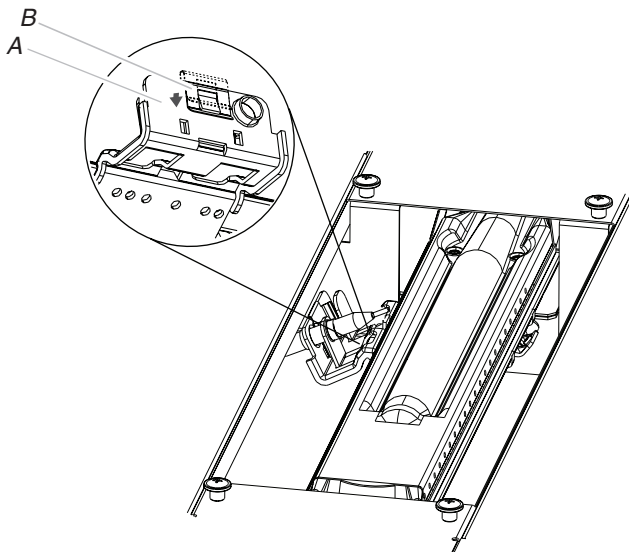
8. Aplique cinta adhesiva protectora al extremo de una llave para tuercas de 1/4" (6,4 mm) para ayudar a mantener el tornillo de los orificios de gas en dicha llave mientras lo cambia. Inserte la llave para tuercas en la abertura de gas y presione hacia abajo sobre el tornillo de los orificios de gas propano; sáquelo girándolo en sentido antihorario y levantándolo hacia afuera. Deje a un lado el tornillo de los orificios de gas propano.



A. Tornillo de orificios de gas propano

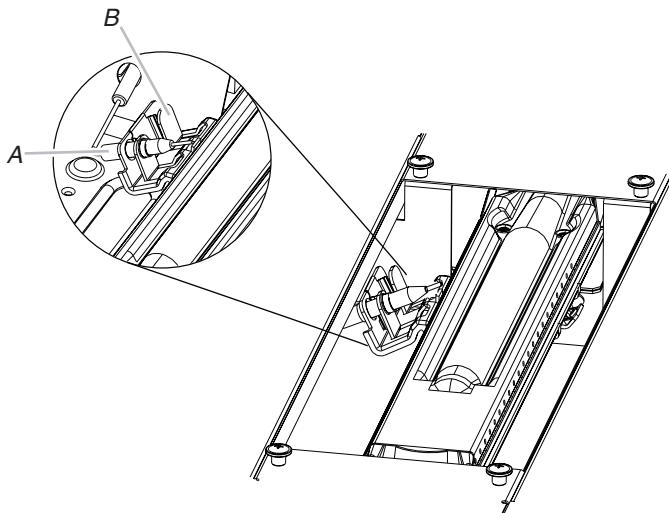
9. Los tornillos de los orificios de gas natural tienen grabado una letra y un número. Instale el tornillo de orificio del quemador para hornear del horno número 154.
10. Coloque el orificio de gas propano en la bolsa plástica con las piezas para utilizarlo en el futuro y guarde con el paquete con el material impreso.

11. Presione el broche sobre el soporte del electrodo.



A. Soporte del electrodo del quemador para hornear del horno
B. Broche del soporte del electrodo

12. Vuelva a colocar el electrodo del quemador para hornear del horno dentro del soporte.

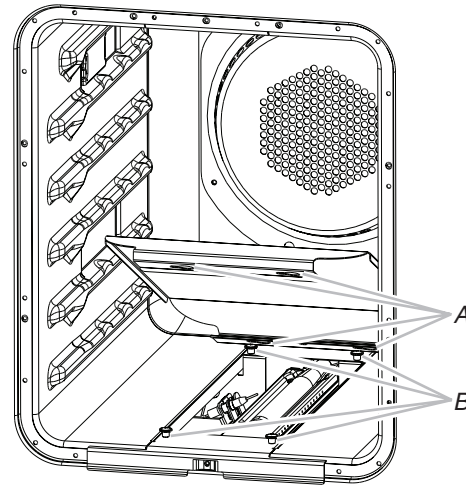


A. Electrodo del quemador para hornear del horno
B. Soporte del electrodo del quemador para hornear del horno

13. Vuelva a instalar el quemador para hornear del horno y los tornillos del quemador para hornear. Vea la ilustración en el paso 5.

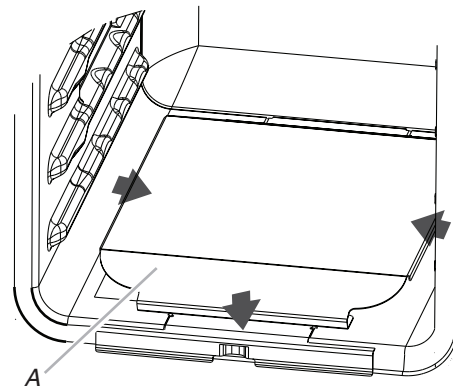
Vuelva a colocar la cubierta del quemador para hornear del horno

1. Alinee los orificios de montaje (chaveteros) de los tornillos de tope posteriores en la cubierta del quemador para hornear del horno con los tornillos de tope que están en la parte inferior del horno.



A. Orificios de montaje (chaveteros) de los tornillos de tope
B. Tornillos de tope

2. Deje caer la cubierta y deslice hacia la derecha o la izquierda para que los tornillos de tope se deslicen dentro de los extremos estrechos de los chaveteros; después, trabe en su lugar.



A. Cubierta del quemador para hornear

Instalación completa

1. Consulte la sección "Conexión del suministro de gas" para conectar la estufa correctamente al suministro de gas.
2. Consulte la sección "Sistema de encendido electrónico" para los ajustes apropiados de encendido, funcionamiento y llama del quemador.

IMPORTANTE: Es posible que tenga que regular el ajuste bajo para cada quemador de la estufa.

Es muy importante verificar la llama adecuada del quemador de la estufa. El cono interno pequeño debe tener una llama azul bien nítida de 1/4" a 1/2" (de 6,4 mm a 1,3 cm) de longitud. El cono exterior no es tan nítido como el cono interior. Las llamas de gas propano tienen una punta de color ligeramente amarillo.

3. Consulte "Complete la instalación" en la sección "Instrucciones de instalación" de este manual para completar este procedimiento.

