

JVX5360SJ/EJ/BJ

GE® 36" Under-the-Cabinet Hood

DIMENSIONS AND INSTALLATION INFORMATION (IN INCHES)

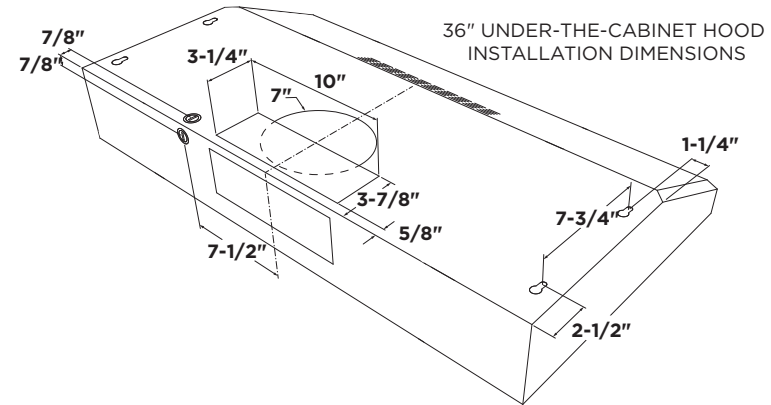
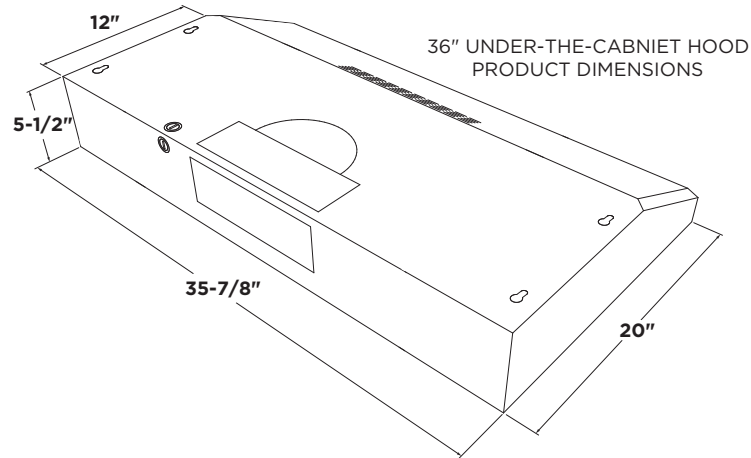
WB02X11537 replacement grease filter and JXCF55 replacement charcoal filter are available at additional cost. Call toll-free 800.626.2000.

INSTALLATION INFORMATION: Before installing, consult installation instructions packed with product for current dimensional data.

ADDITIONAL ACCESSORIES:

JXS56SS 15" cabinet spacer
UXRC70 remote control

AMP RATING	
120V	2.5



Exhaust outlet connects to 3-1/4" x 10" rectangular duct. Vent top or rear. Includes rectangular damper.



For answers to your Monogram, Café™, GE Profile™ or GE Appliances product questions, visit our website at geappliances.com or call GE Answer Center® Service, 800.626.2000.



Listed by
Underwriters
Laboratories



JVX5360SJ/EJ/BJ

GE® 36" Under-the-Cabinet Hood

FEATURES AND BENEFITS

Easy installation - 10 minutes or less by one person

Four-speed with boost, 310 CFM venting system - Removes smoke, grease, odors and moisture

Electronic backlit controls - Add a sophisticated look with this up-front, easy-to-use display

Dual halogen lighting with night light - Enjoy better visibility with a brightly lit cooktop and surrounding surface

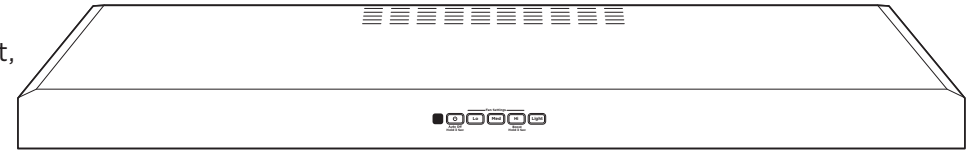
Auto-off - Set the vent hood to automatically shut off after 15 minutes

Convertible venting options - Select recirculating or external venting

Vertical and rear exhaust - Exhausts from the top or rear of the hood

Appearance (Fully enclosed bottom) - Enjoy a sleek appearance from every angle

Optional remote control - Control your ventilation lighting and fan speed from anywhere in the kitchen



Model JVX5360SJSS - Stainless steel

Model JVX5360EJES - Slate

Model JVX5360BJTS - Black Stainless

CFM/SONES RATINGS	
Exhaust Boost Speed (BS)	310/7.0
Exhaust High Speed (HS)	260/5.5
Exhaust Medium Speed (MS)	170/3.0
Exhaust Low Speed (LS)	60/1.0



For answers to your Monogram, Café™, GE Profile™ or GE Appliances product questions, visit our website at geappliances.com or call GE Answer Center® Service, 800.626.2000.