

JVX3300DJ

GE 30" Under-the-Cabinet Hood

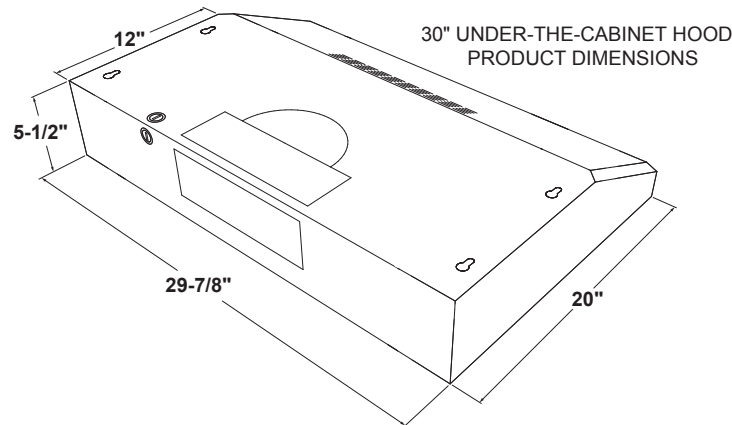
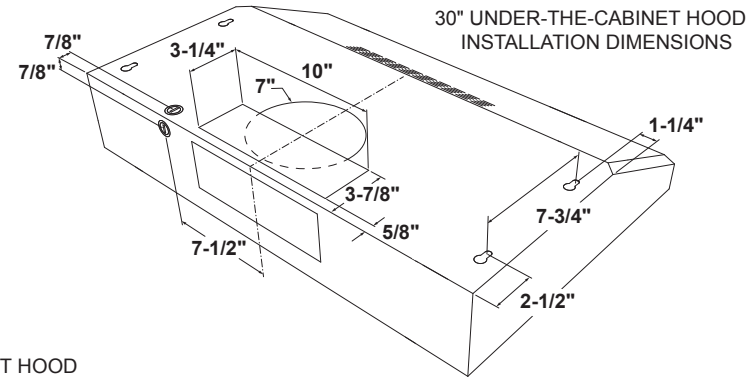
DIMENSIONS AND INSTALLATION INFORMATION (IN INCHES)

WB02X11537 replacement grease filter and JXCF53 replacement charcoal filter are available at additional cost. Call toll-free 800.626.2000.

INSTALLATION INFORMATION: Before installing, consult installation instructions, packed with product, for current dimensional data.

ADDITIONAL ACCESSORY:
JXS50SS 15" cabinet spacer

AMP RATING	
120V	2.5



Exhaust outlet connects to 3-1/4" x 10" rectangular duct. Vent top or rear. Includes rectangular damper.



For answers to your Monogram, Café™, GE Profile™ or GE Appliances product questions, visit our website at geappliances.com or call GE Answer Center® Service, 800.626.2000.



Listed by Underwriters Laboratories



JVX3300DJ

GE 30" Under the Cabinet Hood

FEATURES AND BENEFITS

Easy installation - 10 minutes or less by one person

Two-speed, 200 CFM venting system - Removes smoke, grease, odors and moisture

Front controls - Enjoy easy access and a subtle appearance

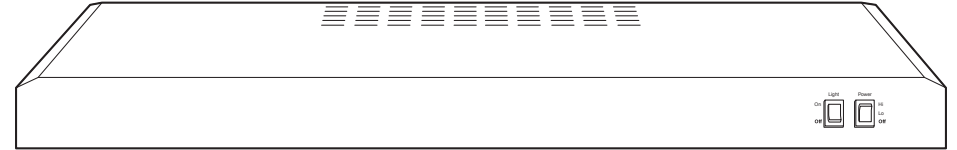
Cooktop lighting - Illuminate cooking space and surrounding surface

Convertible venting options - Select recirculating or external venting

Vertical and rear exhaust - Exhausts from the top or rear of the hood

Appearance (Partially enclosed bottom) - Enjoy easy access to hood interior

Dishwasher-safe filter - Filters grease and is dishwasher-safe



Model JVX3300DJWW - White on white

Model JVX3300DJBB - Black on black

CFM/SONES RATINGS	
Exhaust High Speed (HS)	200/6.5
Exhaust Low Speed (LS)	130/5.0



For answers to your Monogram, Café™, GE Profile™ or GE Appliances product questions, visit our website at geappliances.com or call GE Answer Center® Service, 800.626.2000.