

JENNAIR® 30" AND 36" (76.2 CM AND 91.4 CM) WALL-MOUNT CANOPY HOOD

HOTTE D'EXTRACTION À MONTAGE MURAL DE 30 ET 36 PO (76,2 CM ET 91,4 CM)

JENNAIR®

Installation Instructions and Use & Care Guide

For questions about features, operation/performance, parts, accessories, or service in the U.S.A., call:
1-800-JENNAIR (1-800-536-6247) or visit our website at www.jennair.com.
In Canada, call: **1-800-JENNAIR (1-800-536-6247)** or visit our website at www.jennair.ca.

Instructions d'installation et Guide d'utilisation et d'entretien

Pour des questions à propos des caractéristiques, du fonctionnement/rendement, des pièces, accessoires ou dépannage, composer le
1 800 JENNAIR (1 800 536-6247) ou visiter notre site Web au www.jennair.com.
Au Canada, composer le **1 800 JENNAIR (1 800 536-6247)** ou visiter notre site Web au www.jennair.ca.

**IMPORTANT: READ AND SAVE THESE INSTRUCTIONS.
FOR RESIDENTIAL USE ONLY.**

**IMPORTANT : LIRE ET CONSERVER CES INSTRUCTIONS.
POUR UTILISATION RÉSIDENIELLE
UNIQUEMENT.**



TABLE OF CONTENTS

HOOD SAFETY	2
INSTALLATION REQUIREMENTS	4
Tools and Parts.....	4
Location Requirements.....	4
Venting Requirements	5
Electrical Requirements	6
INSTALLATION INSTRUCTIONS	7
Prepare Location.....	7
Assemble and Install Hood.....	8
Make Electrical Connection.....	10
Install Duct Covers	11
HOOD USE	12
Controls and Features.....	12
HOOD CARE	13
User Servicing and Maintenance Instructions.....	13
WIRING DIAGRAM	14
ASSISTANCE OR SERVICE	15
In the U.S.A.	15
In Canada	15
Accessories	15

TABLE DES MATIÈRES

SÉCURITÉ DE LA HOTTE	16
EXIGENCES D'INSTALLATION	18
Outils et pièces.....	18
Exigences d'emplacement.....	18
Exigences concernant l'évacuation.....	19
Spécifications électriques.....	20
INSTRUCTIONS D'INSTALLATION	21
Préparation de l'emplacement.....	21
Assembler et installer la hotte.....	23
Raccordement électrique.....	24
Installation des cache-conduits.....	25
UTILISATION DE LA HOTTE	26
Commandes et caractéristiques.....	27
ENTRETIEN DE LA HOTTE	28
Instructions aux utilisateurs sur l'entretien et la maintenance ..	28
SCHEMA DE CÂBLAGE	29
ASSISTANCE OU SERVICE	30
Aux É.-U.	30
Au Canada.....	30
Accessoires	30

HOOD SAFETY

Your safety and the safety of others are very important.

We have provided many important safety messages in this manual and on your appliance. Always read and obey all safety messages.



This is the safety alert symbol.

This symbol alerts you to potential hazards that can kill or hurt you and others.

All safety messages will follow the safety alert symbol and either the word "DANGER" or "WARNING."

These words mean:

⚠ DANGER

You can be killed or seriously injured if you don't immediately follow instructions.

⚠ WARNING

You can be killed or seriously injured if you don't follow instructions.

All safety messages will tell you what the potential hazard is, tell you how to reduce the chance of injury, and tell you what can happen if the instructions are not followed.

IMPORTANT SAFETY INSTRUCTIONS

WARNING: TO REDUCE THE RISK OF FIRE, ELECTRIC SHOCK, OR INJURY TO PERSONS, OBSERVE THE FOLLOWING:

- Use this unit only in the manner intended by the manufacturer. If you have questions, contact the manufacturer.
- Before servicing or cleaning unit, switch power off at service panel and lock the service disconnecting means to prevent power from being switched on accidentally. When the service disconnecting means cannot be locked, securely fasten a prominent warning device, such as a tag, to the service panel.
- Installation work and electrical wiring must be done by qualified person(s) in accordance with all applicable codes and standards, including fire-rated construction.
- Do not operate any fan with a damaged cord or plug. Discard fan or return to an authorized service facility for examination and/or repair.
- Sufficient air is needed for proper combustion and exhausting of gases through the flue (chimney) of fuel burning equipment to prevent back drafting. Follow the heating equipment manufacturer's guideline and safety standards such as those published by the National Fire Protection Association (NFPA), and the American Society for Heating, Refrigeration and Air Conditioning Engineers (ASHRAE), and the local code authorities.
- When cutting or drilling into wall or ceiling, do not damage electrical wiring and other hidden utilities.
- Ducted fans must always be vented to the outdoors.

CAUTION: For General Ventilating Use Only. Do Not Use To Exhaust Hazardous Or Explosive Materials And Vapors.

CAUTION: To reduce risk of fire and to properly exhaust air, be sure to duct air outside -Do not vent exhaust air into spaces within walls or ceilings or into attics, crawl spaces, or garages.

WARNING: TO REDUCE THE RISK OF FIRE, USE ONLY METAL DUCTWORK.

WARNING: TO REDUCE THE RISK OF A RANGE TOP GREASE FIRE:

- Never leave surface units unattended at high settings. Boilovers cause smoking and greasy spillovers that may ignite. Heat oils slowly on low or medium settings.
- Always turn hood ON when cooking at high heat or when flambeing food (i.e. Crepes Suzette, Cherries Jubilee, Peppercorn Beef Flambé).
- Clean ventilating fans frequently. Grease should not be allowed to accumulate on fan or filter.
- Use proper pan size. Always use cookware appropriate for the size of the surface element.

WARNING: TO REDUCE THE RISK OF INJURY TO PERSONS IN THE EVENT OF A RANGE TOP GREASE FIRE, OBSERVE THE FOLLOWING^a:

- SMOTHER FLAMES with a close-fitting lid, cookie sheet, or metal tray, then turn off the burner. BE CAREFUL TO PREVENT BURNS. If the flames do not go out immediately, EVACUATE AND CALL THE FIRE DEPARTMENT.
- NEVER PICK UP A FLAMING PAN - You may be burned.
- DO NOT USE WATER, including wet dishcloths or towels - a violent steam explosion will result.
- Use an extinguisher ONLY if:
 - You know you have a Class ABC extinguisher, and you already know how to operate it.
 - The fire is small and contained in the area where it started.
 - The fire department is being called.
 - You can fight the fire with your back to an exit.

^aBased on "Kitchen Fire Safety Tips" published by NFPA.

- **WARNING:** To Reduce The Risk Of Fire Or Electric Shock, Do Not Use This Fan With Any Solid-State Speed Control Device.
- This appliance is not intended for use by people (including children) whose physical, sensory or mental capacities are different or impaired or who lack the necessary experience or knowledge/expertise to do so, unless such persons are supervised or are trained to operate the appliance by a person who accepts responsibility for their safety.

READ AND SAVE THESE INSTRUCTIONS

INSTALLATION REQUIREMENTS

Tools and Parts

Gather the required tools and parts before starting installation. Read and follow the instructions provided with any tools listed here.

Tools needed

- Level
- Drill with 1 1/4" (3 cm), 3/8" (9.5 mm), 7/64" (2.75 mm) and 1/8" (3 mm) drill bits
- Pilot hole drill bits (determined by chimney support attachment method)
- Pencil
- Wire stripper or utility knife
- Tape measure or ruler
- Pliers
- Caulking gun and weatherproof caulking compound
- Vent clamps
- Jigsaw or keyhole saw
- Flat-blade screwdriver
- Metal snips
- Phillips screwdriver
- Ladder
- Hacksaw

Parts needed

- Home power supply cable
- 1/2" (12.7 mm) UL listed or CSA approved strain reliefs (2)
- UL listed wire connectors (3)

For vented installations, you will also need:

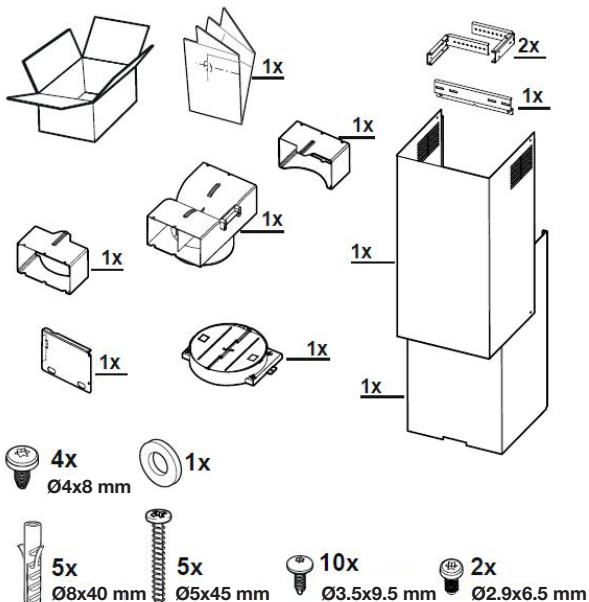
- Wall or roof cap
- Metal vent system

For non-vented (recirculating) installations, you will also need:

- Recirculating Kit for non-vented (recirculating) installations only. See "Assistance or Service" section to order.
- 6" (15.2 cm) round metal vent duct. Length required is determined by ceiling height.

Parts Supplied

Remove parts from packages. Check that all parts are included.



Location Requirements

IMPORTANT: Observe all governing codes and ordinances.

Have a qualified technician install the hood. It is the installer's responsibility to comply with installation clearances specified on the model/serial/rating plate. The model/serial rating plate is located behind the left filter on the rear wall of the vent hood.

Canopy hood location should be away from strong draft areas, such as windows, doors and strong heating vents.

Cabinet opening dimensions that are shown must be used. Given dimensions provide minimum clearance.

Grounded electrical outlet is required. See "Electrical Requirements" section.

Because of the size and weight of this wall hood, the chimney support must be securely attached to the wall.

- For plaster or drywall ceilings, the chimney support must be attached to joists. If this is not possible, you must build a support structure behind the plaster or drywall. The support structure must be able to support 100 lbs (45.4 kg).

IMPORTANT: The means of fixing supplied with the hood, are exclusively suitable for fixing on concrete or brick ceiling.

- Ask a qualified technician to indicate which fasteners should be used depending on the type of wall/ceiling in the home.
- For the various wall or ceiling mounted installations, use screws and dowels suited to the type of structural material (e.g. cement, wood, etc.).
- Check that the screws and dowels supplied with the product are suited to the type of wall/ceiling on which the hood will be mounted.
- A qualified technician must ensure the wall/ceiling where the hood will be installed is solid enough to support the weight of the product.

If not, prepare a suitable frame for said purpose.

This hood is recommended for use with cooktops with a maximum total rating of 90,000 BTUs or less on 600 CFM models and 62,000 BTUs or less on 400 CFM models.

The hood is factory set for venting through the roof.

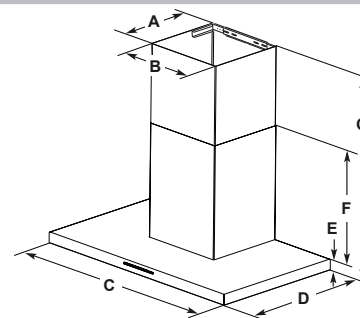
For non-vented (recirculating) installation, see "Non-vented (recirculating) Installations" in "Assemble and Install Hood" section. Recirculation Kit Part Number W11522798 is available from your dealer or an authorized parts distributor.

All openings in ceiling and wall where hood will be installed must be sealed.

For Mobile Home Installations

The installation of this hood must conform to the Manufactured Home Construction Safety Standards, Title 24 CFR, Part 328 (formerly the Federal Standard for Mobile Home Construction and Safety, Title 24, HUD, Part 280) or when such standard is not applicable, the standard for Manufactured Home Installation 1982 (Manufactured Home Sites, Communities and Setups) ANSI A225.1/NFPA 501A, or latest edition, or with local codes.

Product Dimensions



A. 12⁷/₁₆" (31,6 cm)

B. 12⁷/₁₆" (32 cm)

C. 29¹⁵/₁₆" (76 cm)
35⁶/₁₆" (89,6 cm)

D. 17¹/₁₆" (43.4 cm)

*Vented installations only

E. 2⁶/₁₆" (6.0 cm)

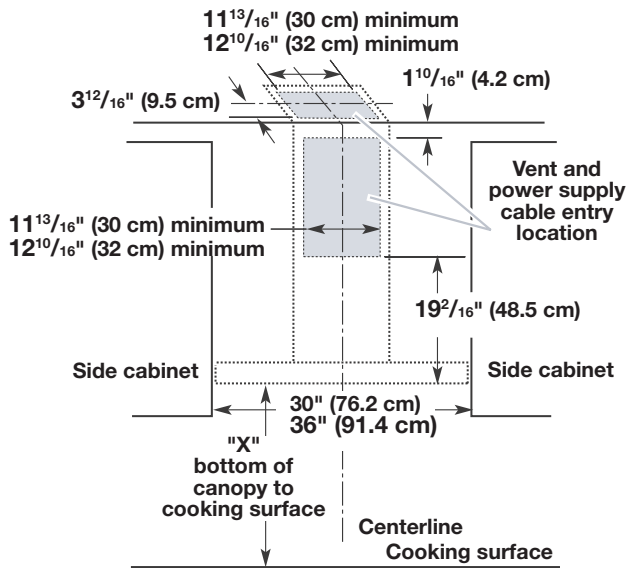
F. 26¹²/₁₆" (67.9 cm)

G. **27¹⁵/₁₆" (71.0 cm) minimum

***47⁴/₁₆" (120.0 cm) maximum

**Non-vented (recirculating) installations only

Installation Dimensions



*For non-vented (recirculating) installations

IMPORTANT:

Minimum distance "X": 30" (76.2 cm) from electric cooking surface.

Minimum distance "X": 30" (76.2 cm) from gas cooking surfaces.

Suggested maximum distance "X": 36" (91.4 cm).

Vented Installations		
	Minimum ceiling height	Maximum ceiling height
Electric cooking surface	7' 10" (2.39 m)	10' 4" (3.24 m)
Gas cooking surface	8' 4" (2.54 m)	10' 4" (3.24 m)
Non-vented (Recirculating) Installations		
	Minimum ceiling height	Maximum ceiling height
Electric cooking surface	7' 10" (2.39 m)	10' 4" (3.24 m)
Gas cooking surface	8' 4" (2.54 m)	10' 4" (3.24 m)

***NOTE:** The hood chimneys are adjustable and designed to meet varying ceiling or soffit heights depending on the distance "C" between the bottom of the hood and the cooking surface. For higher ceilings, a Stainless Steel Chimney Extension Kit Part Number is available from your dealer or an authorized parts distributor. The chimney extension replaces the upper chimney shipped with the hood.

Venting Requirements

- Vent system must terminate to the outside, except for non-vented (recirculating) installations.
- Do not terminate the vent system in an attic or other enclosed area.
- Do not use 4" (10.2 cm) laundry-type wall caps.
- Use metal vent only. Rigid metal vent is recommended. Do not use plastic or metal foil vent.
- The vent system must have a damper. If the roof or wall cap has a damper, do not use the damper supplied with the hood.

For the most efficient and quiet operation:

- Use a straight run or as few elbows as possible.
- Use no more than three 90° elbows.
- Make sure there is a minimum of 24" (61.0 cm) of straight vent between the elbows, if more than 1 elbow is used.
- Do not install 2 elbows together.
- Use vent clamps to seal all joints in the vent system.
- Use caulking to seal exterior wall or roof opening around the cap.
- The size of the vent should be uniform.

Cold Weather Installations

An additional back draft damper should be installed to minimize backward cold air flow and a thermal break should be installed to minimize conduction of outside temperatures as part of the vent system. The damper should be on the cold air side of the thermal break.

The break should be as close as possible to where the vent system enters the heated portion of the house.

Makeup Air

Local building codes may require the use of makeup air systems when using ventilation systems greater than specified CFM of air movement. The specified CFM varies from locale to locale. Consult your HVAC professional for specific requirements in your area.

Venting Methods

A 6" (15.2 cm) round vent system is needed for installation (not included). The hood exhaust opening is 6" (15.2 cm) round.

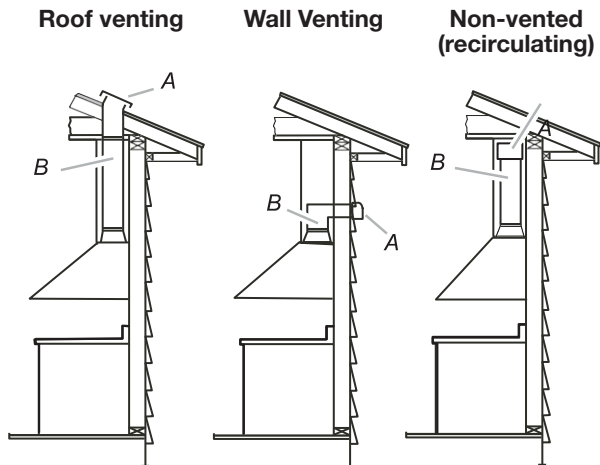
NOTE: Flexible vent is not recommended. Flexible vent creates back pressure and air turbulence that greatly reduce performance.

Vent system can terminate either through the roof or wall.

To vent through a wall, a 90° elbow is needed.

For Non-Vented (recirculating) Installations

If it is not possible to vent cooking fumes and vapors to the outside, the hood can be used in the non-vented (recirculating) version, fitting a charcoal filter and the deflector. Fumes and vapors are recycled through the top grille.



A. Roof cap
B. 6" (15.2 cm) round vent

A. Wall cap
B. 6" (15.2 cm) round vent

A. Deflector
B. 6" (15.2 cm) round vent

Calculating Vent System Length

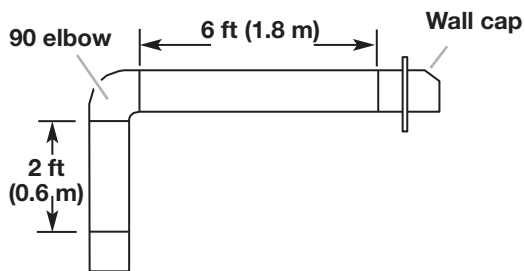
To calculate the length of the system you need, add the equivalent ft (meters) for each vent piece used in the system.

Vent Piece	6" (15.2 cm) Round
45° elbow	2.5 ft (0.8 m)
90° elbow	5.0 ft (1.5 m)



Maximum equivalent vent length is 35 ft (10.7 m).

Example Vent System



The following example falls within the maximum vent length of 35 ft (10.7 m).

1 - 90° elbow	= 5.0 ft (1.5 m)
1 - wall cap	= 0.0 ft (0.0 m)
8 ft (2.4 m) straight	= 8.0 ft (2.4 m)
Length of system	= 13.0 ft (3.9 m)

Electrical Requirements

Observe all governing codes and ordinances.

Ensure that the electrical installation is adequate and in conformance with National Electrical Code, ANSI/NFPA 70 (latest edition), or CSA Standards C22.1-94, Canadian Electrical Code, Part 1 and C22.2 No. 0-M91 (latest edition) and all local codes and ordinances.

If codes permit and a separate ground wire is used, it is recommended that a qualified electrician determine that the ground path is adequate.

GROUNDING INSTRUCTIONS

- If codes permit and a separate ground wire is used, it is recommended that a qualified electrician determine that the ground path is adequate.
- Do not ground to a gas pipe.
- Check with a qualified electrician if you are not sure hood is properly grounded.
- Do not have a fuse in the neutral or ground circuit.
- Consult a qualified electrician if the grounding instructions are not completely understood, or if doubt exists as to whether the appliance is properly grounded.
- This appliance must be grounded. In the event of an electrical short circuit, grounding reduces the risk of electric shock by providing an escape wire for the electric current.

WARNING: Improper grounding can result in a risk of electric shock.

- Only for appliances provided with power supply cord:
- This appliance is equipped with a cord having a grounding wire with a grounding plug. The plug must be plugged into an outlet that is properly installed and grounded.
- Do not use an extension cord. If the power supply cord is too short, have a qualified electrician install an outlet near the appliance.
- Do not operate any fan with a damaged cord or plug. Discard fan or return to an authorized service facility for examination and/or repair.
- Do not run cord under carpeting.
- Do not cover cord with throw rugs, runners, or similar coverings.
- Do not route cord under furniture or appliances.
- Arrange cord away from traffic area and where it will not be tripped over.
- The hood should be connected directly to the fused disconnect (Or circuit breaker).
- Wire sizes must conform to the requirements of the National Electrical Code ANSI/NFPA 70 — latest edition*, or CSA Standards C22.1-94, Canadian Electrical Code Part 1 and C22.2 No. 0-M91 - latest edition** and all local codes and ordinances.

A copy of the above code standards can be obtained from:

National Fire Protection Association
1 Batterymarch Park
Quincy, MA 02169-7471
CSA International
8501 East Pleasant Valley Road
Cleveland, OH 44131-5575

INSTALLATION INSTRUCTIONS

Prepare Location

- It is recommended that the vent system be installed before the hood is installed.
 - Before making cutouts, make sure there is proper clearance within the ceiling for exhaust vent.
 - Hood is to be installed 30" (76.2 cm) minimum for electric cooking surfaces, 30" (76.2 cm) minimum for gas cooking surfaces, to a suggested maximum of 36" (91.4 cm) above the cooking surface.
 - Check your ceiling height and the hood height maximum before you select your hood.
1. Disconnect power.
 2. Determine which venting method to use: roof, wall, or non-vented.
 3. Select a flat surface for assembling the hood. Place covering over that surface.

⚠ WARNING

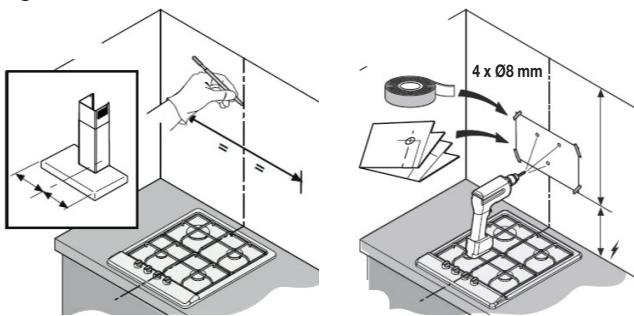
Excessive Weight Hazard

**Use two or more people to move and install hood.
Failure to do so can result in back or other injury.**

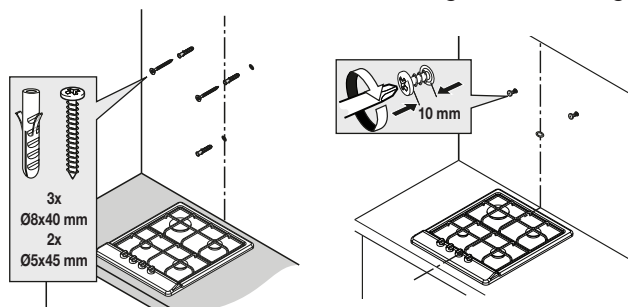
4. Using 2 or more people, lift hood onto covered surface.

Hood Mounting Screws Installation

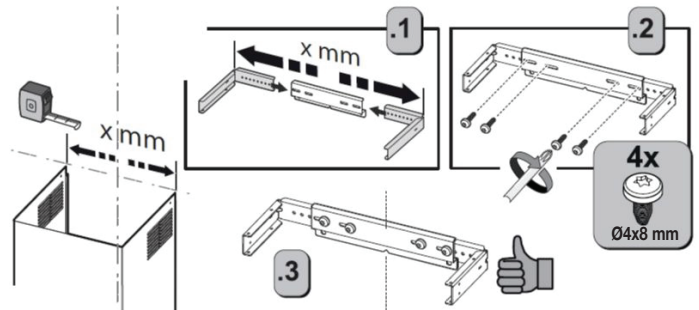
1. Establish and mark the center line on the wall where the hood will be installed, as indicated in figure.
2. Tape the template sheet so the lower edge of the hood is at a mounting height between a minimum of 30" (76.2 cm) for an electric cooking surface, a minimum of 30" (76.2 cm) for a gas cooking surface, and a suggested maximum of 36" (91.4 cm) for both gas and electric cooking surfaces. Drill 3 holes as shown in figure.



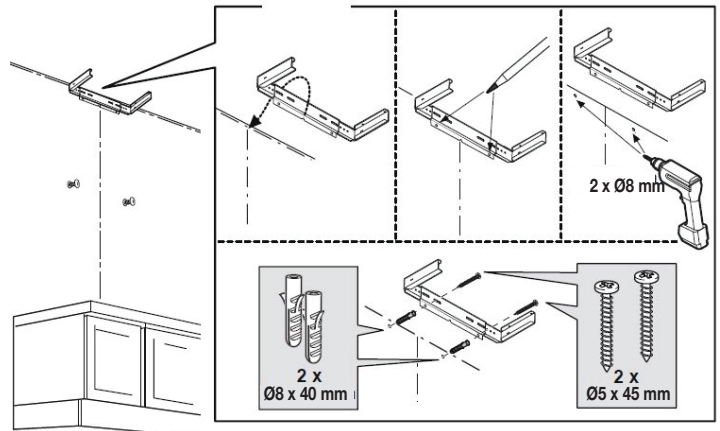
3. Install three Ø8 x 40 mm dowels. Install two Ø5 x 45 mm screws as shown in figure.
4. Make sure the screw has at least 10 mm distance from the wall when it is screwed for hood mounting as shown in figure.



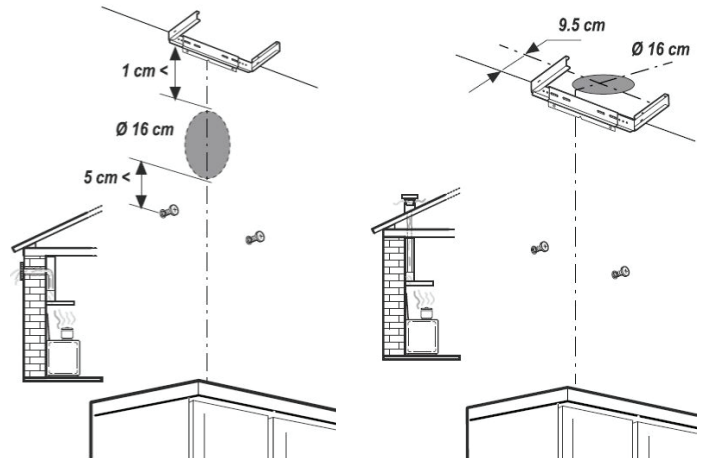
5. Take the chimney fixing bracket, adjust the bracket with the width of the pipe and couple it with 4 screws Ø4x8 mm as shown in figure, steps 1-2-3-4.



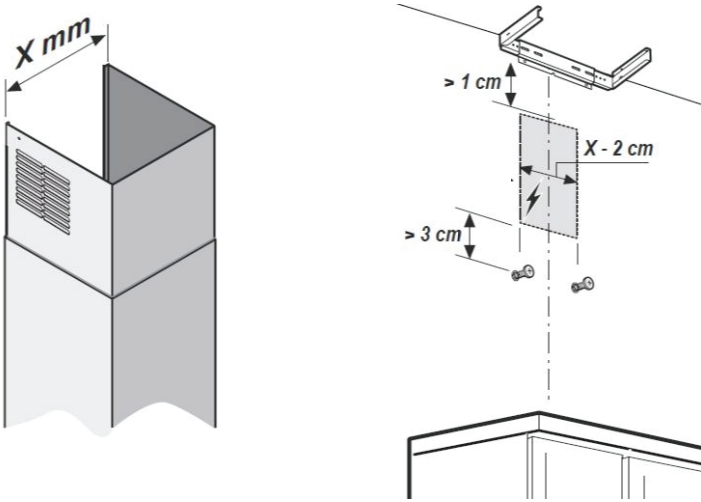
6. **Position the bracket:** The center line drawn will facilitate the correct positioning of the bracket. Mark the 2 holes for wall mounting, drill the holes Ø8 mm and install 2 plugs Ø8 x 45 mm and finally fix the bracket with the two screws Ø5x45 mm, as shown in figure.



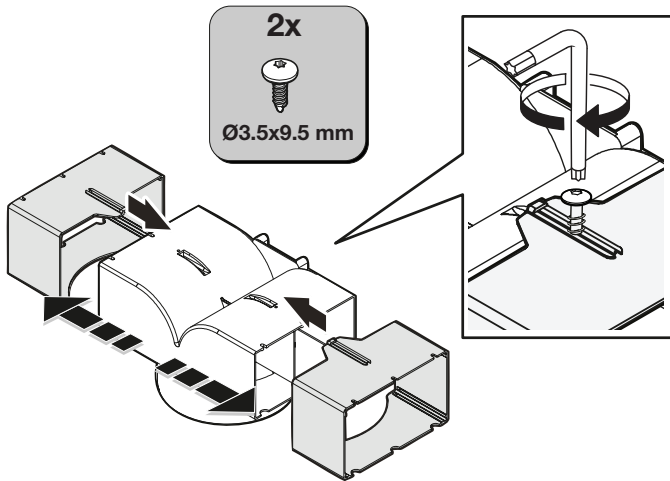
7. Prearrange the air duct outlet hole, only in the Exhaust version.
8. The diameter of the air outlet hole in the wall must be Ø160 mm, taking into account the measurements indicated in figure. Make sure the hole does not coincide with the electrical system.



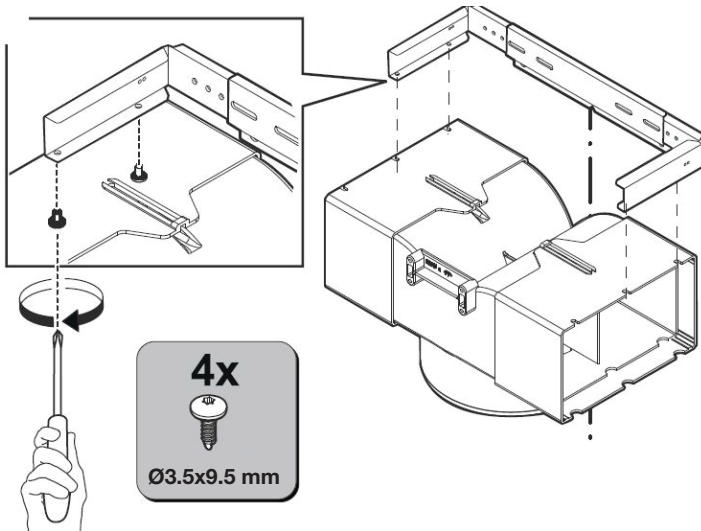
9. Check that there are no ducts or pipes on the wall that they might make installation impossible as shown in figure.



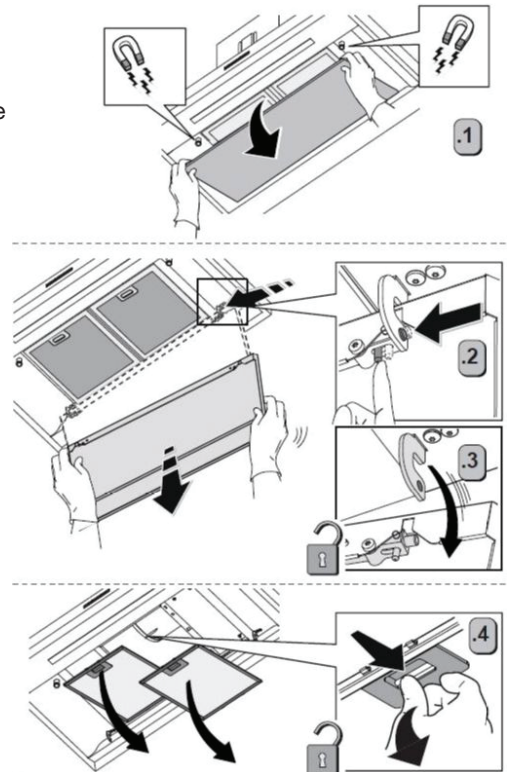
10. If, instead, the hood has been installed with a recirculation kit, the air diverter is included in the supply and must be adjusted according to the width of the pipe and fixed with two screws $\text{Ø}3.5 \times 9.5 \text{ mm}$ as shown in figure.



11. Take the air diverter and fix it to the wall bracket previously fixed, with 4 screws $\text{Ø}3.5 \times 9.5 \text{ mm}$ as shown in figure.



NOTE: For better handling of the hood, before proceeding with installation, remove the perimeter suction panel and the grease filter, as shown in figure, steps 1-2-3-4.



12. For vented installations only: Using a jigsaw or keyhole saw, cut a $6\frac{1}{2}$ " (16.5 cm) diameter hole for the vent duct.

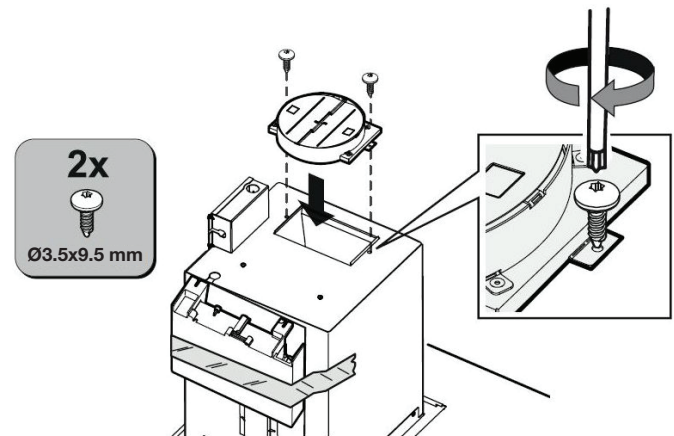
NOTE: Your hood can work with either an internal or an in-line (external) blower motor system. An optional In-Line Smart Kit (purchased separately) allows the blower motor that comes with this hood to be installed in a location other than inside the hood cavity.

CAUTION: To reduce the risk of fire and electric shock, install this hood only with the In-Line Smart Kit manufactured by Whirlpool, W10692945.

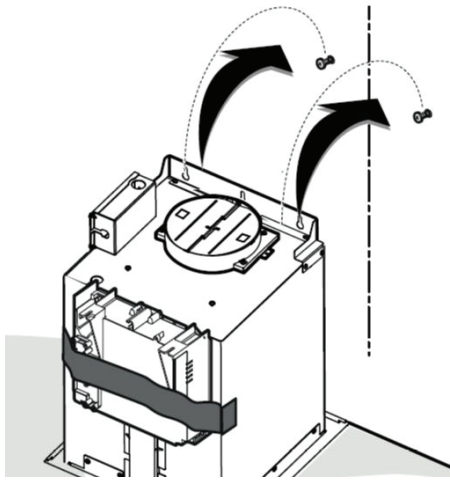
For installation see the In-Line Smart Kit installation instructions. See the "Assistance or Service" section to order.

Assemble and Install Hood

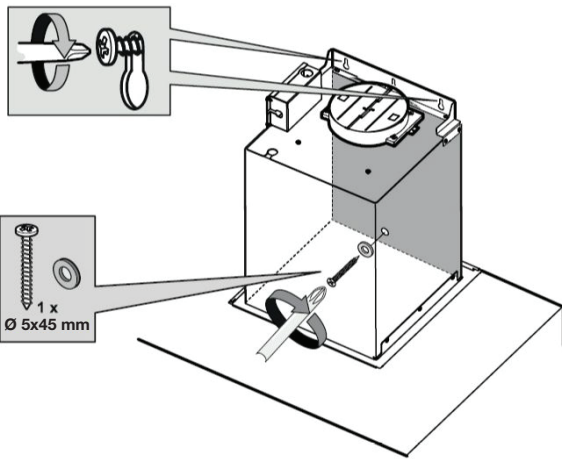
1. Install transition on top of hood (if removed for shipping) with 2 - $3.5 \times 9.5 \text{ mm}$ sheet metal screws.



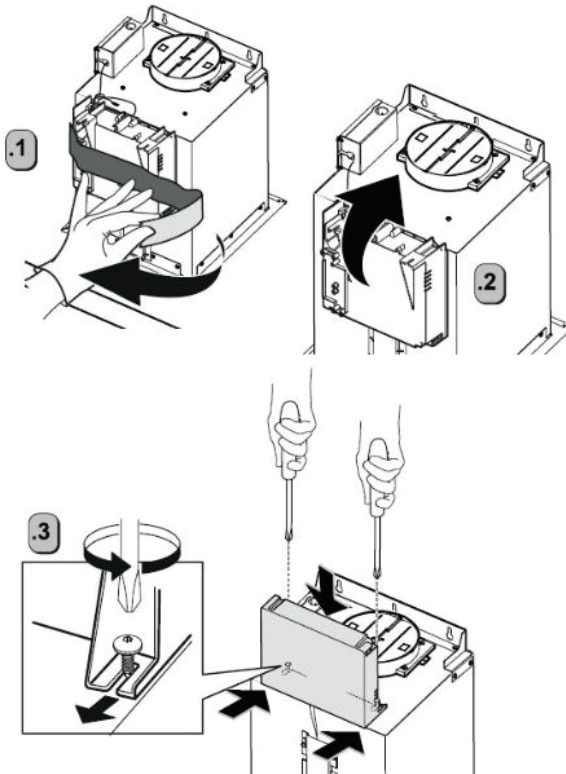
2. Hang the hood with the help of at least two people on the two screws previously fixed to the wall as shown in figure.



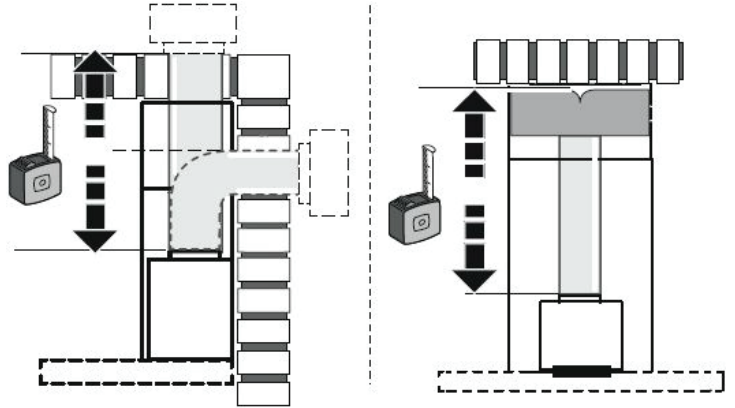
3. Tighten the two screws and definitively fix the hood to the wall with the Ø5x45 mm safety screw and washer as shown in figure.



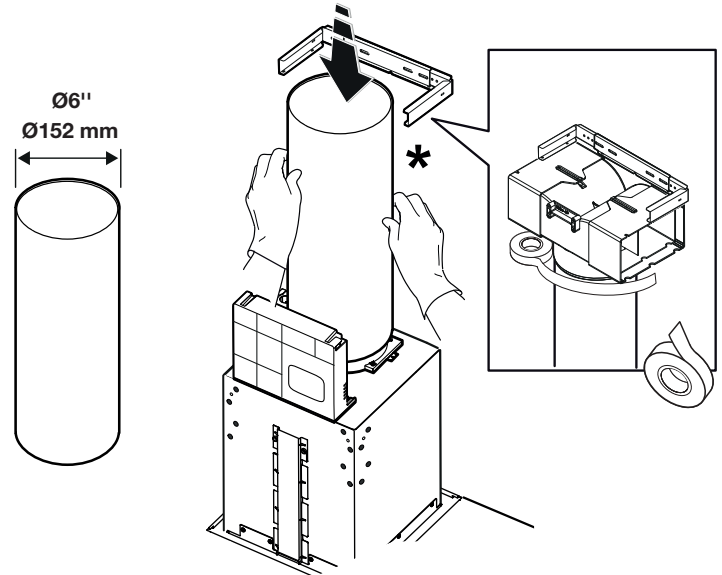
4. Remove the sticker from the electrical system box as shown in figure and follow steps 1-2-3.



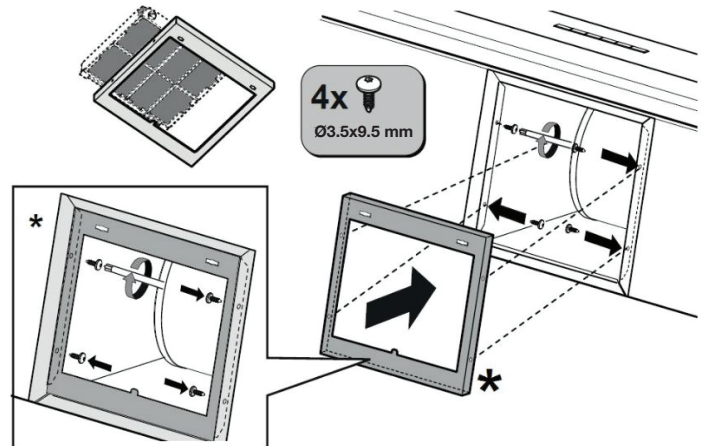
5. Fixing the air outlet pipe in the Exhaust version or in the Recirculation version figure 16. Use a pipe with a diameter not smaller than that of the hood connection and the minimum number of bends required. adjust and if necessary cut off the excess pipe. The tube must be purchased and must be compatible with the regulations in force in your country.



6. Fix the tube to the lower part of the product and connect it to the external outlet in the Exhaust version, and to the air diverter in the Recirculation version figure.



7. The kit is composed of a carbon filter, a bracket and 4 screws Ø3.5x9.5 mm, the bracket must be fixed to the lower part of the hood with the 4 screws supplied, figure.



Make Electrical Connection

⚠ WARNING



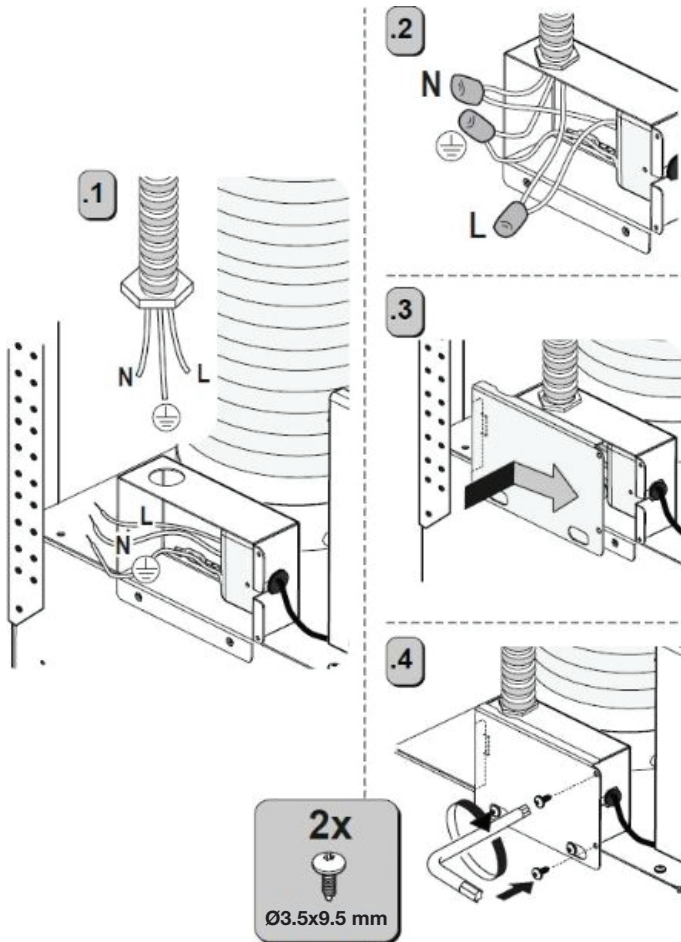
Electrical Shock Hazard

Disconnect power before servicing.

Replace all parts and panels before operating.

Failure to do so can result in death or electrical shock.

1. Disconnect power.
2. Remove terminal box cover.
3. Remove the knockout in the terminal box, and then install a UL listed or CSA approved 1/2" (12.7 mm) strain relief.
4. Run home power supply cable through strain relief and into the terminal box.
5. Use UL listed wire connectors and connect black wires (L) together.
6. Use UL listed wire connectors and connect white wires (N) together.



⚠ WARNING



Electrical Shock Hazard

Electrically ground blower.

Connect ground wire to green and yellow ground wire in terminal box.

Failure to do so can result in death or electrical shock.

7. Connect green (or bare) ground wire from home power supply to yellow-green ground wire (F) in terminal box using UL listed wire connectors.
8. Tighten strain relief screw.
9. Install terminal box cover.
10. Check that all light bulbs are secure in their sockets.
11. Reconnect power.

Optional Power Cord Kit Installations

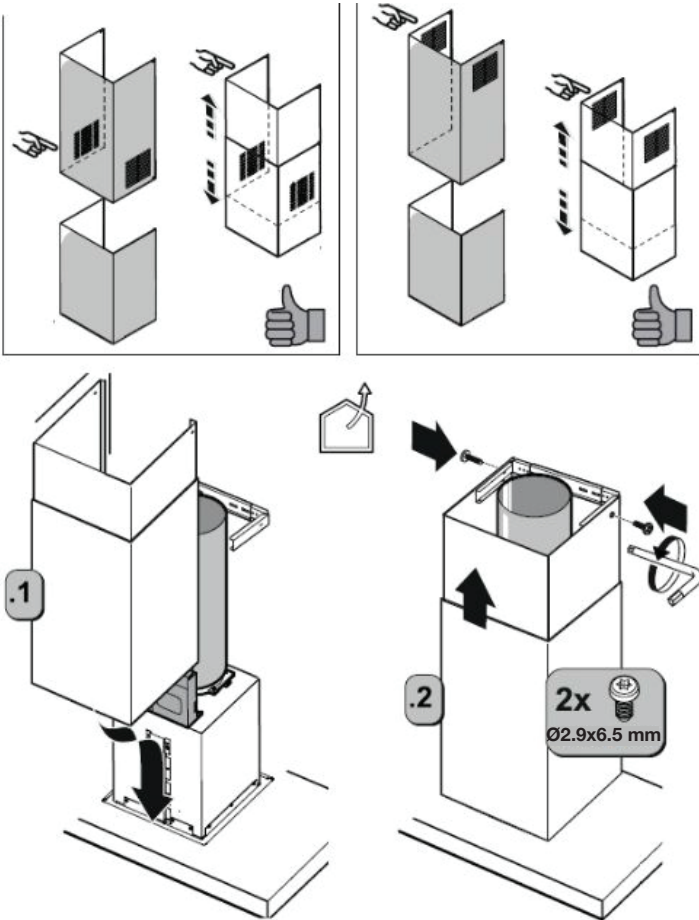
For optional power cord kit installations, follow the instructions supplied with the power cord kit. See the "Assistance or Service" section for information on ordering.

NOTE: Use only with hood cord connection kits that have been investigated and found acceptable for use with this model hood.

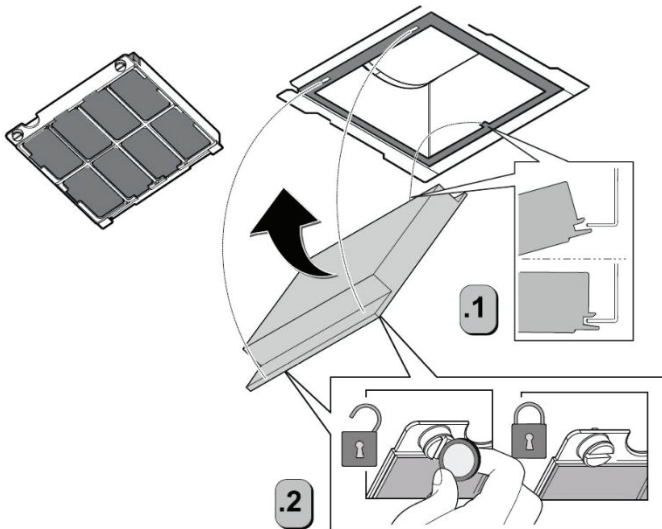
Install Duct Covers

NOTE: Remove the film from the duct covers.

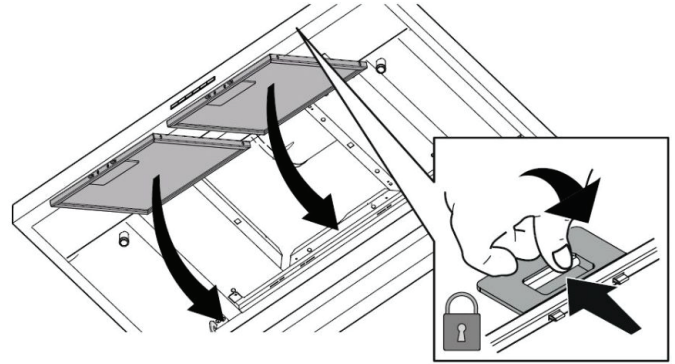
1. In the Exhaust version, the grill faces downwards and in the Recirculation version, the grill faces upwards as shown in figure. Position the tubes on the hood, take the upper tube and fix it to the bracket with the two screws $\text{Ø}2.9 \times 6.5 \text{ mm}$ as indicated in step 1-2.



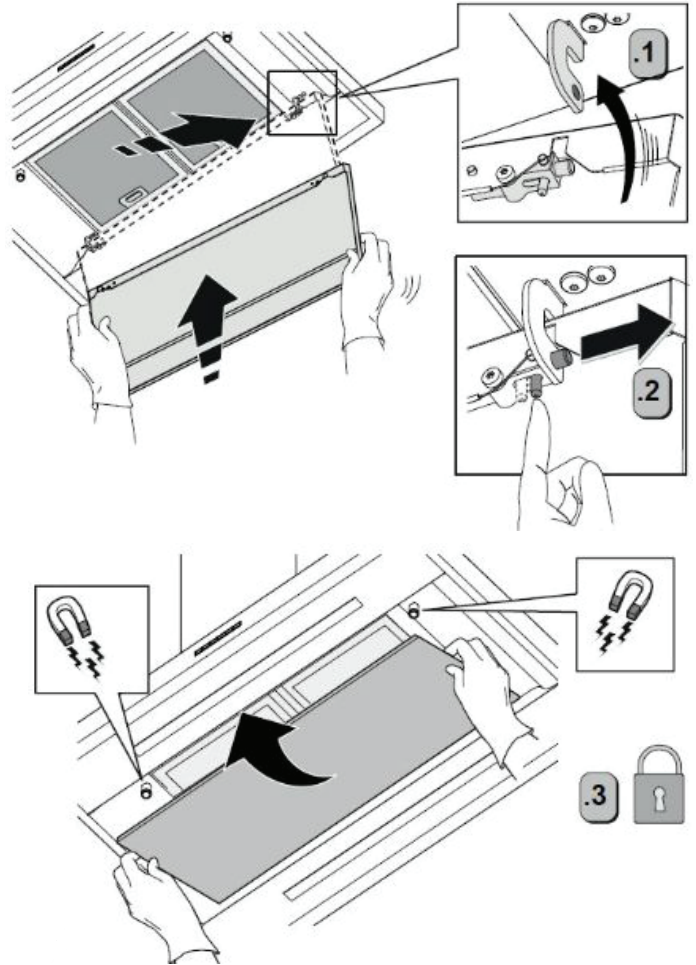
2. If the product is in the Recirculation version, place the carbon filter on the bracket as shown in figure.



3. Reposition the grease filters in their seats as shown in figure.



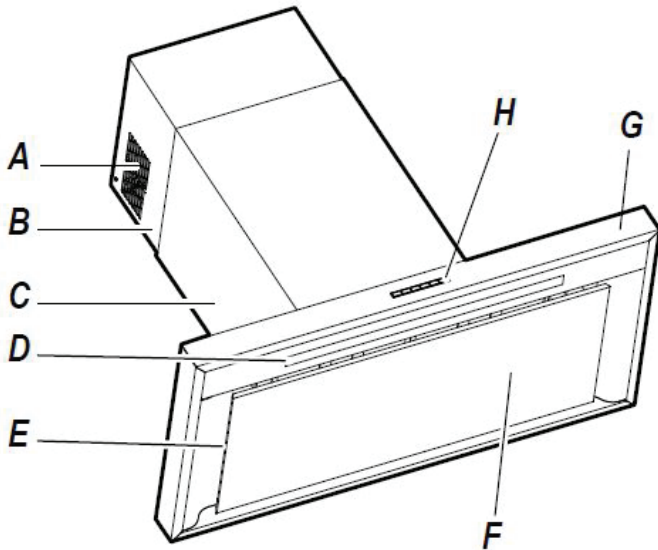
4. Reposition the perimeter suction panel as shown in figure, phase 1-2-3.



HOOD USE

The hood is designed to remove smoke, cooking vapors and odors from the cooktop area. For best results, start the hood before cooking and allow it to operate several minutes after the cooking is complete to clear all smoke and odors from the kitchen.

The hood controls are located on the front side of the canopy.



- A. Louver holes (non-vented [recirculating] installations only)
- B. Upper duct covers
- C. Lower duct covers
- D. LED lights (1)
- E. Metal grease filters (located behind the perimetic cover)
- F. Perimetic cover
- G. Canopy
- H. Control panel

Controls and Features

The hood is fitted with a control panel with aspiration speed selection control and a light switch to control cooking area lights.

T1 = Motor ON/OFF button - 1st speed.

T2 = 2nd speed.

T3 = 3rd speed.

T4 = 4th Speed.

Timed On/Off Boost, after 5 minutes the hood returns to the previously set speed.

T5 = Light ON/OFF button.

T6 = Reset Button for filters:

The filters must always be reset with the motor running.

The hood will warn the user that it is time to do maintenance work on the filters, by giving out a light-signal.

Flashing Button: carry out the maintenance of the greasy filters, following this press the button for over 3 seconds and the button will turn off.

Lit Button: carry out maintenance on carbon-filters, following this press the button for more than 3 seconds, the button will switch off.

Attention: the hood is provided only with a warning signal for greasy filters.

To put into function the greasy-filter signal:

Set the hood off, press switch button number 6 for more than 3 seconds, the switch will turn on signalling that the function has been set.

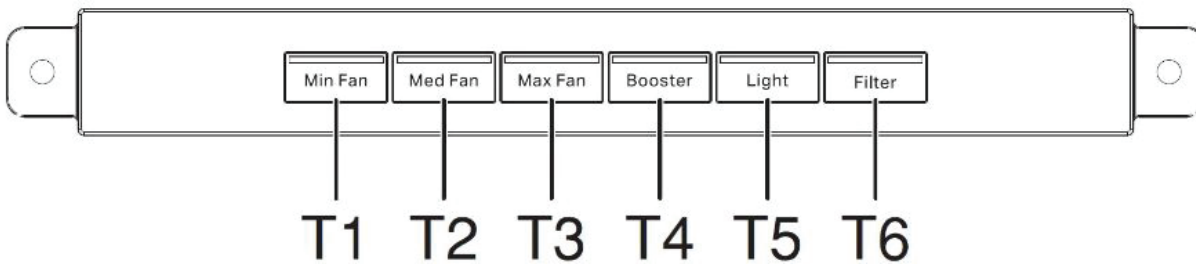
To deactivate the carbon filter signal, repeat the entire procedure again.

Functions

Fan Speeds

- Min** Press MIN FAN to turn the fan on at Minimum speed.
- Med** Press MED FAN to turn the fan on at Medium speed.
- Max** Press MAX FAN to turn the fan on at Maximum speed.
- Boost** Press BOOST to turn the fan on at the highest speed. Boost will automatically turn Off after 5 minutes and the fan will switch to High speed.

Control Panel



Timer

The hood can be set to turn Off automatically after 15 minutes.

1. Press and hold the desired fan speed button for 2 seconds.
The fan will run on the chosen speed for 15 minutes, and the fan speed button light will flash continuously.
After 15 minutes, the fan will turn Off automatically.
2. Press the desired fan speed button again while the fan timer is running to cancel the fan timer.

NOTE: Changing the fan speed or turning Auto Sense On will also cancel the 15 minute timer.

Filter

The Filter button lights up when it is time to replace or clean the filter. The button will be lit only when the fan is On. Press FILTER after replacing the filter to turn the Filter button light Off. See the "Cleaning" section for how to replace or clean the filter.

Light

Press LIGHT to turn the hood lights On and Off.

HOOD CARE

User Servicing and Maintenance Instructions

Cleaning:

Clean using ONLY a cloth dampened with neutral liquid detergent. DO NOT CLEAN WITH TOOLS OR INSTRUMENTS.

Do not use abrasive products. DO NOT USE ALCOHOL.

Steam screen:

The steam screen must always be left closed and opened only for maintenance (e.g. cleaning or changing filters).

Grease filter

Traps cooking grease particles.

This must be cleaned once a month (or when the filter saturation indication system – if signaled on the model in possession- indicates this necessity) using non aggressive detergents, either by hand or in the dishwasher, which must be set to a low temperature and a short cycle. When washed in a dishwasher, the grease filter may discolor slightly, but this does not affect its filtering capacity.

Charcoal filter (For Recirculating Installations)

It absorbs unpleasant odors caused by cooking.

The charcoal filter can be washed once every two months (or when the filter saturation indication system – if signaled on the model in possession – indicates this necessity) using hot water and a suitable detergent, or in a dishwasher at 65°C (if the dishwasher is used, select the full cycle function and leave dishes out). Eliminate excess water without damaging the filter, then put it in the oven for 10 minutes at 212°F (100°C) to dry completely. Replace the filter every 3 years and when the cloth is damaged.

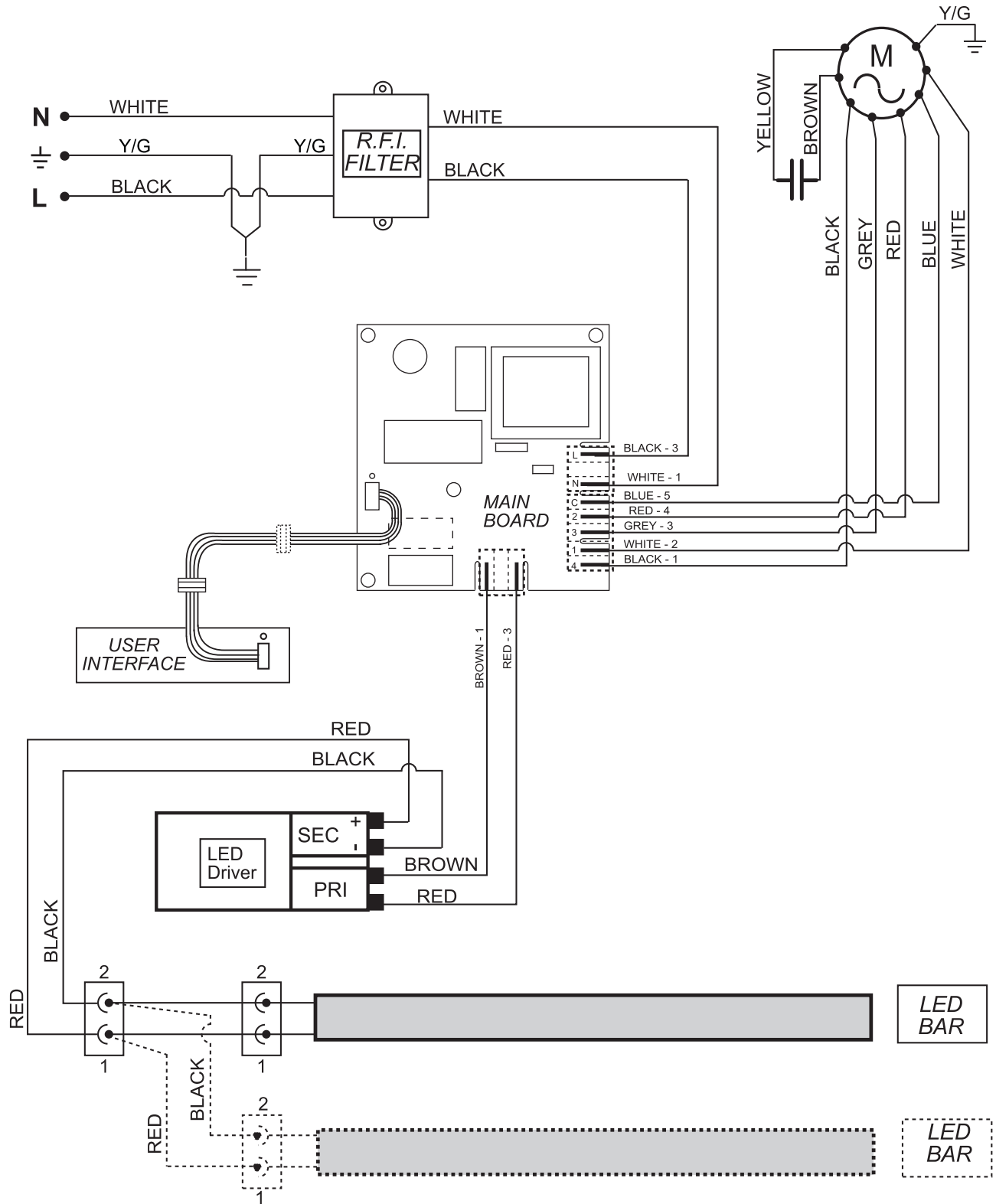
Replacing lamps

The hood is equipped with a lighting system based on LED technology.

The LEDs guarantee an optimum lighting, a duration up to 10 times longer than the traditional lamps and allow to save 90% electrical energy.

For replacement, contact the technical service.

WIRING DIAGRAM



SEL0172982

ASSISTANCE OR SERVICE

If you need replacement parts

If you need to order replacement parts, we recommend that you use only factory specified parts. Factory specified parts will fit right and work right because they are made with the same precision used to build every new appliance.

To locate factory specified replacement parts in your area, call the following customer assistance telephone number or your nearest designated service center.

In the U.S.A.

Call JennAir Customer eXperience Center toll free:

1-800-JENNAIR (1-800-536-6247) or visit our website at **www.jennair.com**.

Our consultants provide assistance with:

- Scheduling of service. JennAir® appliances designated service technicians are trained to fulfill the product warranty and provide after-warranty service anywhere in the United States.
- Features and specifications on our full line of appliances.
- Referrals to local JennAir® appliance dealers.
- Installation information.
- Use and maintenance procedures.
- Accessory and repair parts sales.
- Specialized customer assistance (Spanish speaking, hearing impaired, limited vision, etc.).

For further assistance

If you need further assistance, you can write to JennAir® Appliances with any questions or concerns at:

JennAir Brand Home Appliances
Customer eXperience Center
553 Benson Road
Benton Harbor, MI 49022-2692

Please include a daytime phone number in your correspondence.

In Canada

Call the Whirlpool Canada LP Customer eXperience Centre toll free at **1-800-JENNAIR (1-800-536-6247)** or visit our website at **www.jennair.ca**.

Our consultants provide assistance with:

- Scheduling of service. JennAir® appliances designated service technicians are trained to fulfill the product warranty and provide after-warranty service anywhere in the Canada.
- Features and specifications on our full line of appliances.
- Referrals to local JennAir® appliance dealers.
- Installation information.
- Use and maintenance procedures.
- Accessory and repair parts sales.

For further assistance

If you need further assistance, you can write to JennAir® Appliances with any questions or concerns at:

JennAir Brand Home Appliances
Customer eXperience Centre
200 - 6750 Century Ave.
Mississauga, Ontario L5N 0B7

Please include a daytime phone number in your correspondence.

Accessories

Chimney Kit 10.5 ft-12.1 ft (3.2 m-3.7 m)

Order Part Number W11522794

Chimney Kit 8.9 ft-10.5 ft (2.7 m-3.2 m)

Order Part Number W11522796

Charcoal Filter Kit - Recirculating Kit

(for non-vented installations only)

Order Part Number W11522798

Filter Kit - Replacement

Order Part Number W11522797

6" (15.2 cm) Makeup Air Kit

(consult local building codes)

Order Part Number W10446915

SÉCURITÉ DE LA HOTTE

Votre sécurité et celle des autres est très importante.

Nous donnons de nombreux messages de sécurité importants dans ce manuel et sur votre appareil ménager. Assurez-vous de toujours lire tous les messages de sécurité et de vous y conformer.



Voici le symbole d'alerte de sécurité.

Ce symbole d'alerte de sécurité vous signale les dangers potentiels de décès et de blessures graves à vous et à d'autres.

Tous les messages de sécurité suivront le symbole d'alerte de sécurité et le mot "DANGER" ou "AVERTISSEMENT". Ces mots signifient :

! DANGER

Risque possible de décès ou de blessure grave si vous ne suivez pas immédiatement les instructions.

! AVERTISSEMENT

Risque possible de décès ou de blessure grave si vous ne suivez pas les instructions.

Tous les messages de sécurité vous diront quel est le danger potentiel et vous disent comment réduire le risque de blessure et ce qui peut se produire en cas de non-respect des instructions.

IMPORTANTES INSTRUCTIONS DE SÉCURITÉ

AVERTISSEMENT : POUR RÉDUIRE LE RISQUE D'INCENDIE, CHOC ÉLECTRIQUE OU DOMMAGES CORPORELS, RESPECTER LES INSTRUCTIONS SUIVANTES :

- Utiliser cet appareil uniquement dans les applications envisagées par le fabricant. Pour toute question, contacter le fabricant.
- Avant d'entreprendre un travail d'entretien ou de nettoyage, interrompre l'alimentation de la hotte au niveau du tableau de disjoncteurs, et verrouiller le tableau de disjoncteurs pour empêcher tout rétablissement accidentel de l'alimentation du circuit. Lorsqu'il n'est pas possible de verrouiller le tableau de disjoncteurs, placer sur le tableau de disjoncteurs une étiquette d'avertissement proéminente interdisant le rétablissement de l'alimentation.
- Tout travail d'installation ou câblage électrique doit être réalisé par une personne qualifiée, dans le respect des prescriptions de tous les codes et normes applicables, y compris les codes du bâtiment et de protection contre les incendies.
- Ne pas faire fonctionner un ventilateur dont le cordon ou la fiche est endommagé(e). Jeter le ventilateur ou le retourner à un centre de service agréé pour examen et/ou réparation.
- Une source d'air de débit suffisant est nécessaire pour le fonctionnement correct de tout appareil à gaz (combustion et évacuation des gaz à combustion par la cheminée), pour qu'il n'y ait pas de reflux des gaz de combustion. Respecter les directives du fabricant de l'équipement de chauffage et les prescriptions des normes de sécurité - comme celles publiées par la National Fire Protection Association (NFPA) et l'American Society for Heating, Refrigeration and Air Conditioning Engineers (ASHRAE), et les prescriptions des autorités réglementaires locales.
- Lors des opérations de découpage et de perçage dans un mur ou un plafond, ne pas endommager les câblages électriques et les canalisations qui peuvent s'y trouver.
- Les ventilateurs d'évacuation doivent toujours décharger l'air à l'extérieur.

MISE EN GARDE : Cet appareil est conçu uniquement pour la ventilation générale. Ne pas l'utiliser pour l'extraction de matières ou vapeurs dangereuses ou explosives.

MISE EN GARDE : Pour minimiser le risque d'incendie et évacuer adéquatement les gaz, veiller à acheminer l'air aspiré par un conduit jusqu'à l'extérieur - ne pas décharger l'air aspiré dans un espace vide du bâtiment comme une cavité murale, un plafond, un grenier, un vide sanitaire ou un garage.

AVERTISSEMENT : POUR RÉDUIRE LE RISQUE D'INCENDIE, UTILISER UNIQUEMENT DES CONDUITS MÉTALLIQUES.

AVERTISSEMENT : POUR MINIMISER LE RISQUE D'UN FEU DE GRAISSE SUR LA CUISINIÈRE :

- Ne jamais laisser un élément de surface fonctionner à puissance de chauffage maximale sans surveillance. Un renversement/débordement de matière grasseuse pourrait provoquer une inflammation et la génération de fumée. Utiliser une puissance de chauffage moyenne ou basse pour le chauffage d'huile.
- Veiller à toujours faire fonctionner le ventilateur de la hotte lors de la cuisson avec une puissance de chauffage élevée ou lors de la cuisson d'un mets à flamber (à savoir crêpes Suzette, cerise jubilé, steak au poivre flambé).
- Nettoyer fréquemment les ventilateurs d'extraction. Veiller à ne pas laisser la graisse s'accumuler sur les surfaces du ventilateur ou des filtres.
- Utiliser toujours un ustensile de taille appropriée. Utiliser toujours un ustensile adapté à la taille de l'élément chauffant.

AVERTISSEMENT : POUR RÉDUIRE LE RISQUE DE DOMMAGES CORPORELS APRÈS LE DÉCLENCHEMENT D'UN FEU DE GRAISSE SUR LA CUISINIÈRE, APPLIQUER LES RECOMMANDATIONS SUIVANTES :^a

- Placer sur le récipient un couvercle bien ajusté, une tôle à biscuits ou un plateau métallique POUR ÉTOUFFER LES FLAMMES, puis éteindre le brûleur. VEILLER À ÉVITER LES BRÛLURES. Si les flammes ne s'éteignent pas immédiatement, ÉVACUER LA PIÈCE ET APPELER LES POMPIERS.
- NE JAMAIS PRENDRE EN MAIN UN RÉCIPENT ENFLAMMÉ - vous risquez de vous brûler.
- NE PAS UTILISER D'EAU, ni un torchon humide - ceci pourrait provoquer une explosion de vapeur brûlante.
- Utiliser un extincteur SEULEMENT si :
 - Il s'agit d'un extincteur de classe ABC, dont on connaît le fonctionnement.
 - Il s'agit d'un petit feu encore limité à l'endroit où il s'est déclaré.
 - Les pompiers ont été contactés.
 - Il est possible de garder le dos orienté vers une sortie pendant l'opération de lutte contre le feu.

^aRecommandations tirées des conseils de sécurité en cas d'incendie de cuisine publiés par la NFPA.

- **AVERTISSEMENT** : Pour réduire le risque d'incendie ou de choc électrique, ne pas utiliser ce ventilateur avec un quelconque dispositif de réglage de la vitesse à semi-conducteurs.
- Cet appareil ne convient pas à une utilisation par des personnes (y compris des enfants) dont les capacités physiques, sensorielles ou mentales sont différentes ou réduites ou qui ne possèdent pas l'expérience, les connaissances ou l'expertise nécessaire, à moins d'être supervisées ou d'avoir reçu des instructions concernant l'utilisation par une personne responsable de leur sécurité.

LIRE ET CONSERVER CES INSTRUCTIONS

EXIGENCES D'INSTALLATION

Outils et pièces

Rassembler les outils et pièces nécessaires avant d'entreprendre l'installation. Lire et observer les instructions fournies avec chacun des outils de la liste suivante.

Outils nécessaires

- Niveau
- Perceuse avec forets de 1 ¼ po (3 cm), 3/8 po (9,5 mm), 7/64 po (2,75 mm) et 1/8 po (3,0 mm)
- Foret (pour les avant-trous, selon la méthode de fixation du support de cheminée)
- Crayon
- Pince à dénuder ou couteau à lame rétractable
- Ruban à mesurer ou règle
- Pince
- Pistolet à calfeutrage et calfeutrant étanche
- Brides de conduit
- Scie sauteuse ou scie à guichet
- Tournevis à tête plate
- Cisaille à métaux
- Tournevis à tête cruciforme
- Échelle
- Scie à métaux

Pièces nécessaires

- Câble d'alimentation électrique du domicile
- 2 serre-câbles de 1/2 po (12,7 mm) (homologation UL ou CSA)
- 3 connecteurs de fils homologués UL

Pour les installations avec décharge à l'extérieur, il vous faudra aussi :

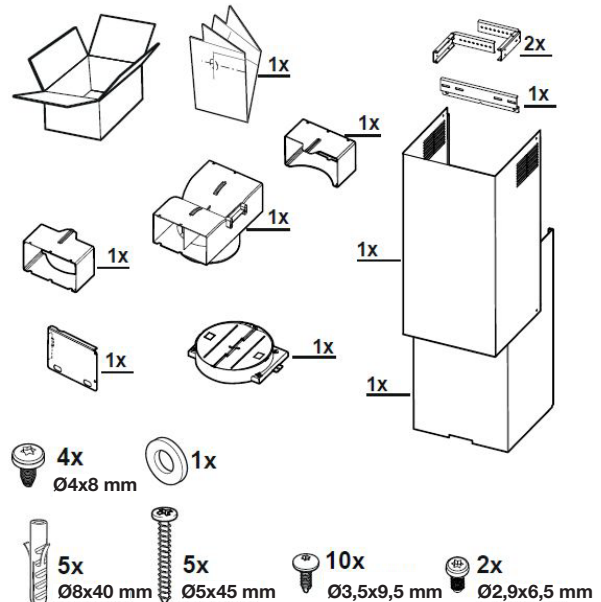
- Bouche de décharge murale ou à travers le toit
- Circuit d'évacuation métallique

Pour les installations sans décharge à l'extérieur (recyclage), il vous faudra aussi :

- Ensemble de recyclage pour cache-conduit, pour installations sans décharge à l'extérieur (recyclage) uniquement. Voir la section « Assistance ou service » pour commander.
- Conduit métallique d'un diamètre de 6 po (15,2 cm). La longueur nécessaire est fonction de la hauteur sous plafond.

Pièces fournies

Retirer les pièces de leur emballage. Vérifier que toutes les pièces sont présentes.



Exigences d'emplacement

IMPORTANT : Observer les dispositions de tous les codes et règlements en vigueur.

Confier l'installation de la hotte à un technicien qualifié. C'est à l'installateur qu'incombe la responsabilité de respecter les distances de séparation spécifiées sur la plaque signalétique. La plaque signalétique de l'appareil est située derrière le filtre de gauche, sur la paroi arrière de la hotte.

On doit toujours installer la hotte à distance des sources de courant d'air (fenêtres, portes et bouches de chauffage).

Les dimensions d'ouverture de l'armoire indiquées doivent être utilisées.

Ces dimensions représentent les valeurs minimales des dégagements.

Une prise électrique avec liaison à la terre est nécessaire. Voir la section « Spécifications électriques ».

En raison du poids et de la taille de cette hotte pour mural, il faut que le support de cheminée soit solidement fixé au mural.

- Pour un plafond en plâtre ou en panneaux de gypse, le support de cheminée doit être fixé aux solives. Si ce n'est pas possible, on doit construire une structure de support appropriée derrière le plafond en plâtre ou panneaux de gypse. Le support doit être capable de soutenir une charge de 100 lb (45,4 kg).

IMPORTANT : Le matériel de fixation accompagnant la hotte est conçu exclusivement pour un plafond en béton ou en briques.

- Demander à un technicien qualifié de vous indiquer quels dispositifs de fixation conviennent au type de mur/plafond de votre maison.
- Pour les différentes installations au mur ou au plafond, utiliser des vis et chevilles qui conviennent au type de matériaux de la structure (p. ex., béton, bois, etc.).
- Vérifier que les vis et chevilles fournis avec le produit conviennent au type de mur/plafond où la hotte sera installée.
- Un technicien qualifié doit s'assurer que le mur/plafond où la hotte sera installée est suffisamment solide pour supporter le poids du produit.

Si ce n'est pas le cas, préparer un cadre qui conviendra à l'utilisation.

Il est recommandé d'utiliser cette hotte avec une table de cuisson d'une puissance maximum de 90 000 BTU ou moins sur les modèles 600 CFM et 62 000 BTU ou moins sur les modèles 400 CFM.

Cette hotte a été configurée à l'usine pour une décharge à travers le toit.

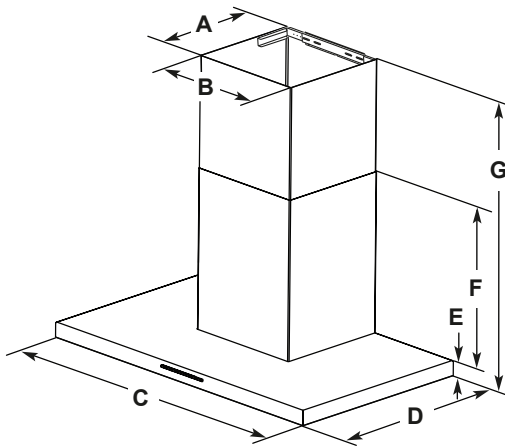
Pour une installation sans décharge à l'extérieur (recyclage), voir le point « Installations sans décharge à l'extérieur (recyclage) » à la section « Assembler et installer la hotte ». La trousse de recyclage (numéro de pièce W11522798) est disponible chez votre marchand ou chez un distributeur de pièces autorisé.

Toutes les ouvertures dans le plafond et le mur de l'emplacement d'installation de la hotte doivent être scellées.

Pour une installation dans une résidence mobile

L'installation de cette hotte doit s'effectuer conformément aux descriptions de la norme Manufactured Home Construction Safety Standards, Title 24 CFR, Part 328 (anciennement Federal Standard for Mobile Home Construction and Safety, title 24, HUD, Part 280) ou lorsque cette norme n'est pas applicable, utiliser la norme Standard for Manufactured Home Installations 1982 (Manufactured Home Sites, Communities and Setups) ANSI A225.1/NFPA 501A ou respecter les dispositions des codes locaux.

Dimensions du produit

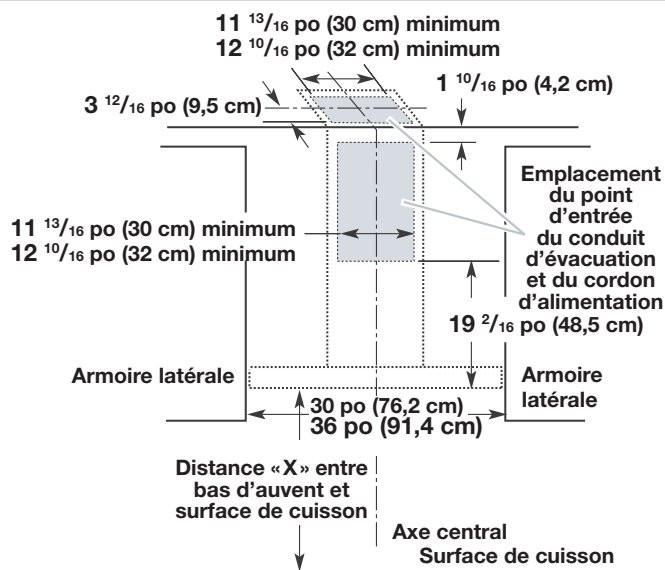


- | | |
|--|---|
| A. 12 ⁷ / ₁₆ po (31,6 cm) | E. 2 ⁶ / ₁₆ po (6,0 cm) |
| B. 12 ¹¹ / ₁₆ po (32 cm) | F. 26 ¹² / ₁₆ po (67,9 cm) |
| C. 29 ¹⁵ / ₁₆ po (76 cm)
35 ⁶ / ₁₆ po (89,6 cm) | G. **27 ¹⁵ / ₁₆ po (71,0 cm)
minimum |
| D. 17 ¹ / ₁₆ po (43,4 cm) | ***47 ⁴ / ₁₆ po (120,0 cm)
maximum |

*Installations avec décharge à l'extérieur uniquement

**Installation sans décharge à l'extérieur (recyclage) uniquement

Dimensions d'installation



*Installations sans décharge à l'extérieur (recyclage)

IMPORTANT :

Valeur minimale de la distance «X» : 30 po (76,2 cm) à partir de la surface de cuisson électrique.

Distance minimale de 30 po (76,2 cm) à partir des surfaces de cuisson au gaz.

Valeur maximale suggérée pour la distance «X» : 36 po (91,4 cm)

Installations avec évacuation à l'extérieur

	Hauteur minimale sous plafond	Hauteur maximale sous plafond
Surface de cuisson électrique	7 pi 10 po (2,39 m)	10 pi 4 po (3,24 m)
Surface de cuisson à gaz	8 pi 4 po (2,54 m)	10 pi 4 po (3,24 m)

Installations sans évacuation à l'extérieur (recyclage)

	Hauteur minimale sous plafond	Hauteur maximale sous plafond
Surface de cuisson électrique	7 pi 10 po (2,39 m)	10 pi 4 po (3,24 m)
Surface de cuisson à gaz	8 pi 4 po (2,54 m)	10 pi 4 po (3,24 m)

***REMARQUE :** Les cheminées de hotte sont réglables; on peut les placer en fonction de la hauteur disponible du plafond ou soffite, et selon la distance «C» entre le bas de la hotte et la surface de cuisson. Pour des plafonds de hauteur supérieure, un ensemble d'extension de cache-conduit en acier inoxydable peut être acheté, en se référant au numéro de pièce, auprès de votre revendeur ou d'un distributeur de pièces autorisé. L'extension de cache-conduit remplace la section supérieure de cheminée fournie avec la hotte.

Exigences concernant l'évacuation

- Le circuit d'évacuation doit décharger l'air à l'extérieur, excepté pour les installations sans décharge à l'extérieur (recyclage).
- Ne pas terminer le circuit d'évacuation dans un grenier ou dans un autre espace clos.
- Ne pas utiliser de bouches de décharge murale de 4 po (10,2 cm) normalement utilisées pour un équipement de buanderie.
- Utiliser un conduit métallique uniquement. Un conduit en métal rigide est recommandé. Ne pas utiliser de conduit de plastique ou de métal très mince.
- Le circuit d'évacuation doit comporter un clapet anti-reflux. Si la bouche de décharge murale ou par le toit comporte un clapet anti-reflux, ne pas utiliser le clapet fourni avec la hotte.

Pour un fonctionnement efficace et silencieux :

- Utiliser autant que possible des sections droites et réduire le nombre de coudes.
- Ne pas utiliser plus de trois coudes à 90°.
- Veiller à incorporer une section de conduit rectiligne d'au moins 24 po (61,0 cm) si plus d'un raccord coudé est utilisé.
- Ne pas installer 2 coudes ensemble.
- Pour assurer l'étanchéité de toutes les jonctions du circuit d'évacuation, utiliser des brides pour conduit.
- À l'aide d'un produit de calfeutrage, assurer l'étanchéité autour de la bouche de décharge à l'extérieur (à travers le mur ou le toit).
- La taille du conduit doit être uniforme.

Installations dans les régions au climat froid

Un clapet anti-reflux additionnel devrait être installé pour minimiser le reflux d'air froid et une barrière thermique devrait aussi être installée pour minimiser la conduction des températures extérieures par l'intermédiaire du conduit d'évacuation. Le clapet anti-reflux doit être placé du côté air froid de la barrière thermique.

La barrière thermique doit être aussi proche que possible de l'entrée du circuit d'évacuation dans la partie chauffée de la maison.

Air de compensation

Les codes locaux en bâtiment peuvent imposer l'emploi d'un circuit de renouvellement de l'air/introduction d'air de compensation, lors de l'utilisation d'un circuit d'aspiration de débit supérieur à une valeur spécifiée en pieds cubes par minute (CFM). Le débit spécifié en pieds cubes par minute varie d'une juridiction à l'autre.

Consulter un professionnel des installations de chauffage ventilation/climatisation au sujet des exigences spécifiques applicables dans la juridiction locale.

Méthodes d'évacuation

Pour l'installation, on doit utiliser un conduit d'un diamètre de 6 po (15,2 cm) (non fourni). La hotte comporte une ouverture de sortie d'un diamètre de 6 po (15,2 cm).

REMARQUE : L'emploi d'un conduit flexible est déconseillé. Un conduit flexible peut causer une contre-pression et des turbulences d'air, qui réduisent considérablement la performance.

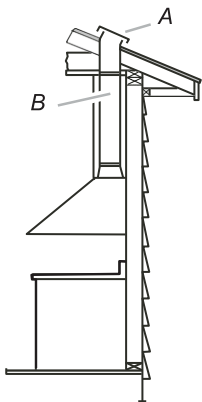
La sortie à l'extérieur du circuit d'évacuation peut se faire à travers le toit ou le mur

Pour la sortie à travers le mur, on doit employer un raccord coudé à 90°.

Installations sans décharge à l'extérieur (recyclage)

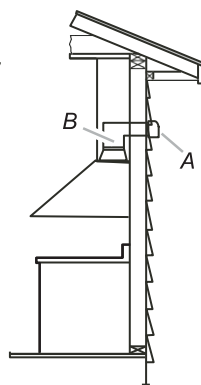
S'il n'est pas possible d'évacuer les fumées et vapeurs de cuisson à l'extérieur, on peut employer la version d'installation sans décharge à l'extérieur (recyclage) de la hotte, ainsi dotée d'un filtre au charbon et du déflecteur. Les vapeurs/fumées sont alors recyclées à travers la grille supérieure.

Évacuation par le toit



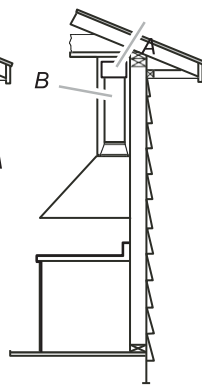
- A. Bouche de décharge sur toit
B. Conduit métallique rond, dia. 6 po (15,2 cm)

Décharge à travers le mur



- A. Bouche de décharge murale
B. Conduit métallique rond, dia. 6 po (15,2 cm)

Sans décharge à l'extérieur (recyclage)



- A. Déflecteur
B. Conduit métallique rond, dia. 6 po (15,2 cm)

Calcul de la longueur du circuit d'évacuation

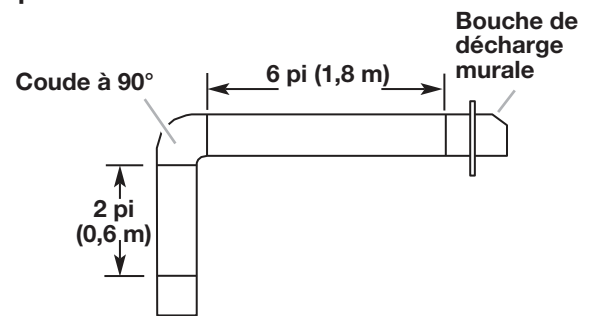
Pour calculer la longueur effective du circuit d'évacuation nécessaire, additionner les longueurs équivalentes (en pieds ou mètres) de tous les composants utilisés dans le circuit.

Composant	Conduit rond de 6 po (15,2 cm)
Coude de 45°	2,5 pi (0,8 m)
Coude de 90°	5,0 pi (1,5 m)



La longueur équivalente maximale est de 35 pi (10,7 m).

Exemple de circuit d'évacuation



Dans l'exemple suivant, la longueur théorique du circuit est inférieure au maximum de 35 pi (10,7 m).

1 coude de 90° = 5 pi (1,5 m)

1 bouche de décharge murale = 0 pi (0 m)

Section droite de 8 pi (2,4 m) = 8 pi (2,4 m)

Longueur du circuit = 13 pi (3,9 m)

Spécifications électriques

Observer les dispositions de tous les codes et règlements en vigueur.

S'assurer que l'installation électrique est appropriée et conforme au National Electrical Code, à la norme ANSI/NFPA 70 (plus récente édition) ou à la norme CSA C22.1-94, au Code canadien de l'électricité, partie 1 et C22.2 No 0-M91 (plus récente édition) et à tous les codes et règlements locaux.

Si les codes le permettent et si on utilise un conducteur distinct de mise à la terre, il est recommandé qu'un électricien qualifié vérifie la qualité de la mise à la terre.

INSTRUCTIONS DE LIAISON À LA TERRE

- Si les codes le permettent et si on utilise un conducteur distinct de mise à la terre, il est recommandé qu'un électricien qualifié vérifie la qualité de la mise à la terre.
- Ne pas utiliser une tuyauterie de gaz pour le raccordement à la terre.
- En cas de doute quant à la qualité de la liaison à la terre de la hotte, consulter un électricien qualifié.
- Ne pas installer un fusible dans le conducteur neutre ou le circuit de mise à la terre.
- Consulter un électricien qualifié si les instructions de mise à la terre n'ont pas été bien comprises, ou en cas de doute sur la qualité de la liaison à la terre de l'appareil.

- Cet appareil doit être relié à la terre. Au cas où un court-circuit se produirait, la liaison à la terre réduit le risque de choc électrique en permettant au courant de s'échapper directement vers la terre.

AVERTISSEMENT : Une mise à la terre incorrecte peut entraîner un risque de choc électrique.

- Uniquement pour les appareils fournis avec cordon d'alimentation :
- Cet appareil est équipé d'un cordon comportant un conducteur de liaison à la terre avec fiche de liaison à la terre. La fiche doit être branchée dans une prise correctement installée et reliée à la terre.
- Ne pas utiliser de rallonge. Si le cordon d'alimentation électrique est trop court, faire installer une prise près de l'appareil par un électricien qualifié.
- Ne pas faire fonctionner un ventilateur dont le cordon ou la fiche est endommagé(e). Jeter le ventilateur ou le retourner à un centre de service agréé pour examen ou réparation.
- Ne pas acheminer le cordon sous de la moquette.

- Ne pas recouvrir le cordon de tapis, de sous-tapis ou de tissus d'ameublement similaires.
- Ne pas acheminer le cordon sous des meubles ou des appareils ménagers.
- Éloigner le cordon des zones de passage et des endroits où l'on pourrait trébucher dessus.
- La hotte doit être connectée directement au sectionneur à fusible (ou au disjoncteur).
- La taille des conducteurs doit satisfaire aux prescriptions du National Electrical Code ANSI/NFPA 70, dernière édition, ou aux normes CSA C22.1-94, Code canadien des installations électriques (partie 1) et C22.2 n° 0-M91, dernière édition, et les prescriptions de tous les codes et règlements locaux en vigueur.

Pour obtenir un exemplaire des normes des codes ci-dessus, contacter :

National Fire Protection Association
1 Batterymarch Park
Quincy, MA 02169-7471
CSA International
8501 East Pleasant Valley Road
Cleveland, OH 44131-5575

INSTRUCTIONS D'INSTALLATION

Préparation de l'emplacement

- Il est recommandé que l'installation du circuit d'évacuation soit réalisée avant celle de la hotte.
 - Avant d'exécuter les découpages, vérifier qu'il existe un dégagement suffisant dans le plafond pour le conduit d'évacuation.
 - La hotte doit être installée à 30 po (76,2 cm) min. des surfaces de cuisson électriques, 30 po (76,2 cm) min. des surfaces de cuisson au gaz, et à un maximum suggéré de 36 po (91,4 cm) au-dessus de la surface de cuisson.
 - Avant de sélectionner la hotte à installer, mesurer la hauteur libre sous plafond et la hauteur maximum disponible sous la hotte.
1. Débrancher l'alimentation.
 2. Déterminer la méthode d'évacuation à utiliser : évacuation par le plafond, par le mur ou sans ventilation.
 3. Choisir une surface plane pour l'assemblage de la hotte. Placer le matériau de protection sur cette surface.

AVERTISSEMENT

Risque du poids excessif

Utiliser deux ou plus de personnes pour déplacer et installer la hotte.

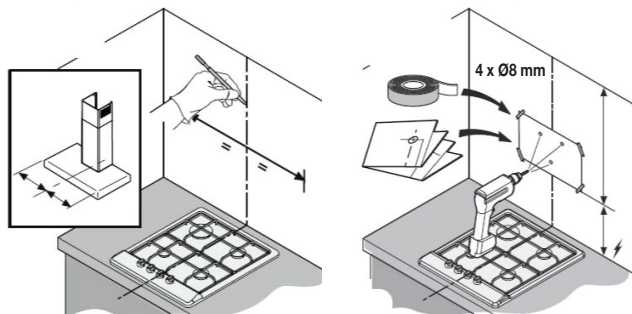
Le non-respect de cette instruction peut causer une blessure au dos ou d'autre blessure.

4. À l'aide de deux personnes ou plus, soulever la hotte et la poser sur la surface couverte.

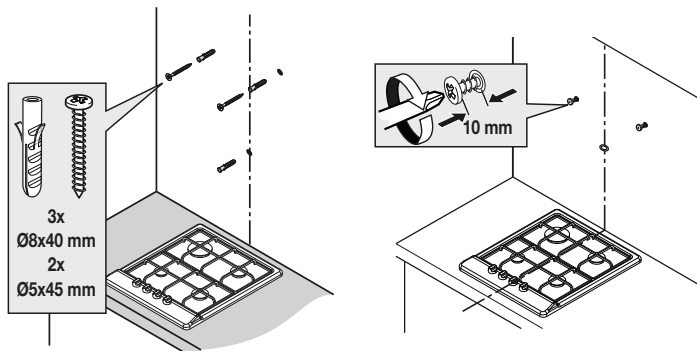
Installation des vis de montage de la hotte

1. Déterminer et marquer l'axe central sur le mur où la hotte doit être installée comme indiqué à la figure.

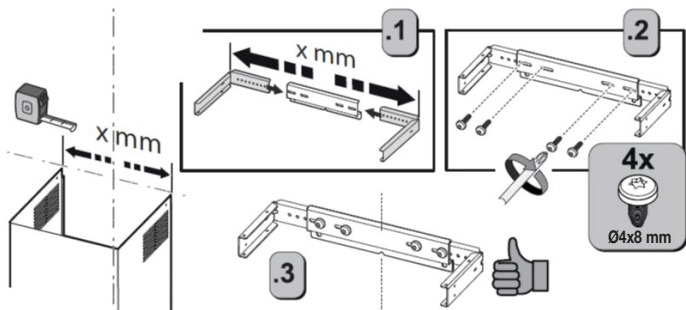
2. Fixer le gabarit papier de manière à ce que le bord inférieur du papier qui représente la partie inférieure de la hotte se trouve à la hauteur de montage entre 30 po (76,2 cm) au minimum pour une surface de cuisson électrique, 30 po (76,2 cm) au minimum pour une surface de cuisson au gaz et 36 po (91,4 cm) au maximum pour surfaces de cuisson électriques et au gaz. Percer 3 trous comme indiqué aux figures.



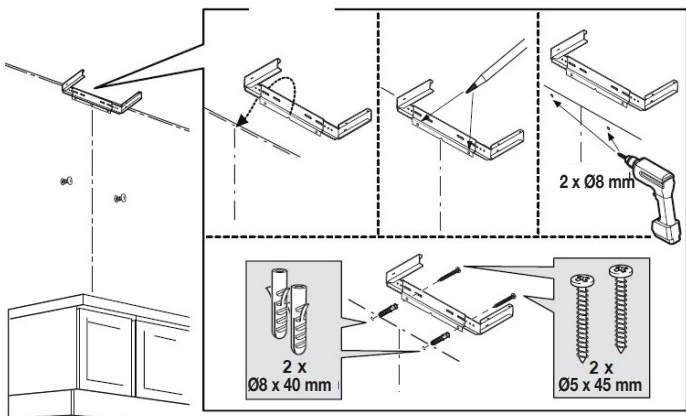
3. Installer trois chevilles Ø8 x 40 mm. Installer deux vis Ø5 x 45 mm comme indiqué à la figure.
4. S'assurer que la vis se trouve en saillie d'une distance d'au moins 10 mm du mur lorsqu'elle est vissée pour le montage de la hotte comme indiqué à la figure.



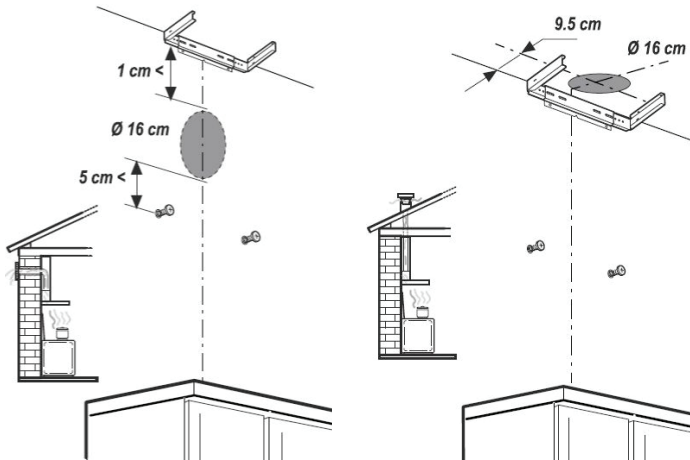
5. Prendre le support de fixation de la cheminée, ajuster le support avec la largeur du conduit et le coupler au moyen de 4 vis $\text{\O}4 \times 8$ mm comme indiqué à la figure, étapes 1, 2, 3 et 4.



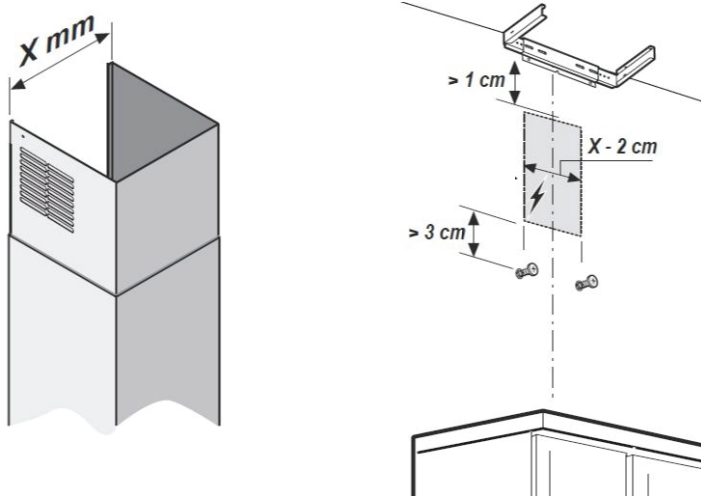
6. **Positionner le support** : L'axe central tracé facilitera le positionnement correct du support. Marquer les 2 trous pour le montage mural, percer les trous $\text{\O}8$ mm et installer 2 chevilles $\text{\O}8 \times 45$ mm et enfin fixer le support au moyen des deux vis $\text{\O}5 \times 45$ mm, comme indiqué à la figure.



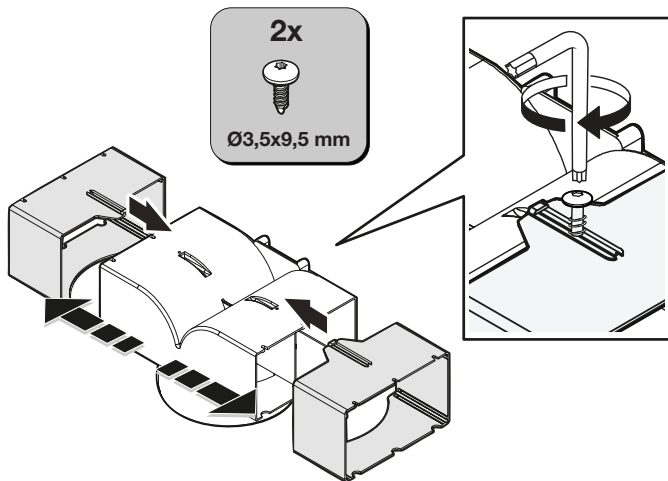
7. Prédéfinir le trou de sortie du conduit d'air, uniquement dans la version Évacuation.
8. Le diamètre du trou de sortie d'air dans le mur doit être de $\text{\O}160$ mm, en tenant compte des mesures indiquées à la figure. S'assurer que le trou ne coïncide pas avec le circuit électrique.



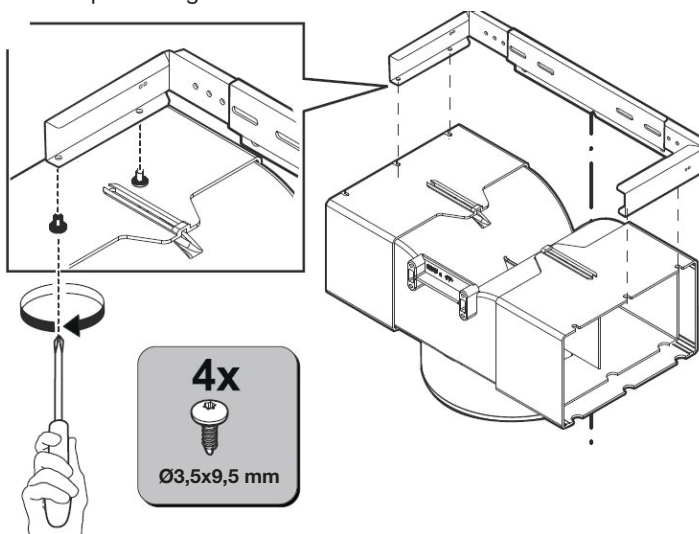
9. Vérifier qu'il n'y a pas de conduits ou de tuyaux dans le mur qui pourraient rendre l'installation impossible comme le montre la figure.



10. Si, au contraire, la hotte a été installée avec la trousse de recyclage, le déflecteur d'air est inclus dans le matériel et doit être ajusté en fonction de la largeur du conduit et fixé au moyen de deux vis $\text{\O}3,5 \times 9,5$ mm comme illustré.

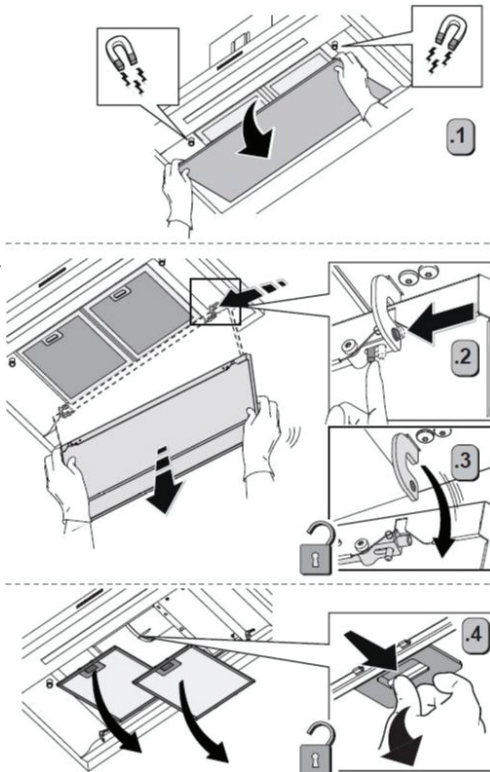


11. Prendre le déflecteur d'air et le fixer au support mural préalablement fixé au moyen de 4 vis $\text{\O}3,5 \times 9,5$ mm comme indiqué à la figure.



REMARQUE :

Pour une meilleure manipulation de la hotte, avant de procéder à l'installation, retirer le panneau d'aspiration périphérique et le filtre à graisse, comme indiqué à la figure, étapes 1, 2, 3 et 4.



12. Pour les installations avec décharge à l'extérieur uniquement : À l'aide d'une scie sauteuse ou scie à guichet, découper un trou de 6 1/2 po (16,5 cm) de diamètre pour le conduit d'évacuation.

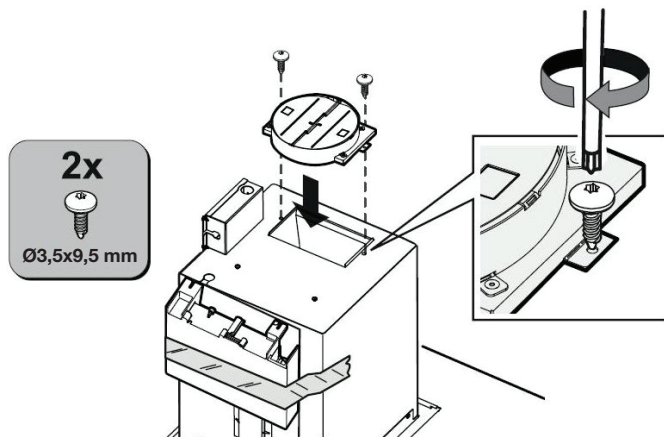
REMARQUE : La hotte peut fonctionner avec un moteur de ventilateur intégré ou externe (déporté). Un ensemble de ventilateur déporté intelligent en option (à acheter séparément) permet d'installer le moteur du ventilateur de la hotte ailleurs qu'à l'intérieur de la hotte.

ATTENTION : Afin de réduire le risque d'incendie et de décharge électrique, installer cette hotte uniquement avec l'ensemble de ventilateur déporté intelligent fabriqué par Whirlpool, pièce n° W10692945.

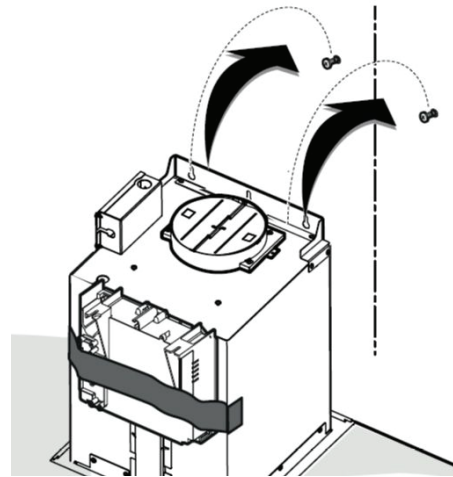
Pour l'installer, consulter les instructions d'installation de l'ensemble de ventilateur déporté intelligent. Voir la section « Assistance ou service » pour commander.

Assembler et installer la hotte

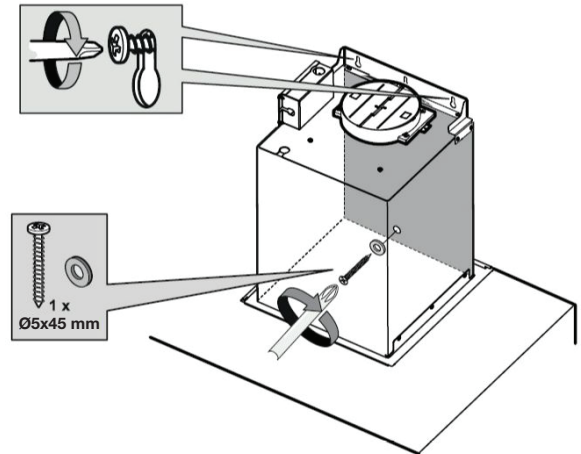
1. Installer le raccord de transition au sommet de la hotte (s'il a été enlevé pour expédition), avec 2 vis à tôle de 3,5 x 9,5 mm.



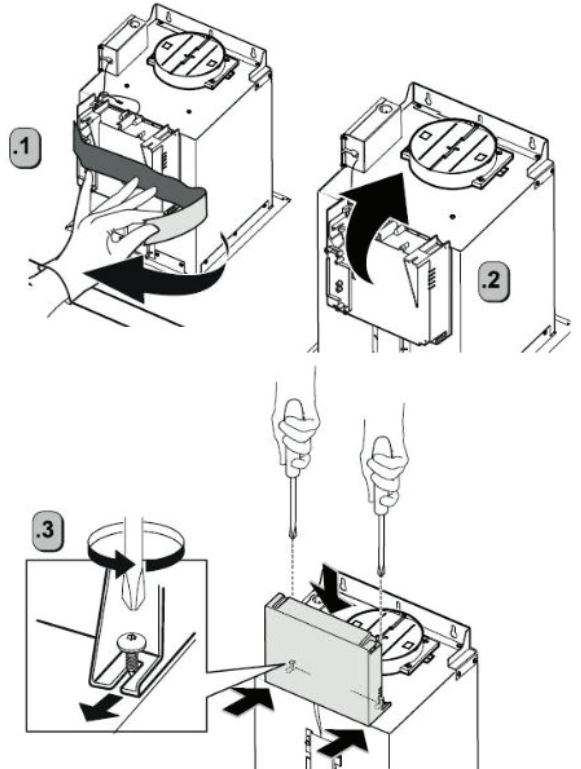
2. Accrocher la hotte à l'aide d'au moins deux personnes sur les deux vis préalablement fixées au mur comme indiqué à la figure.



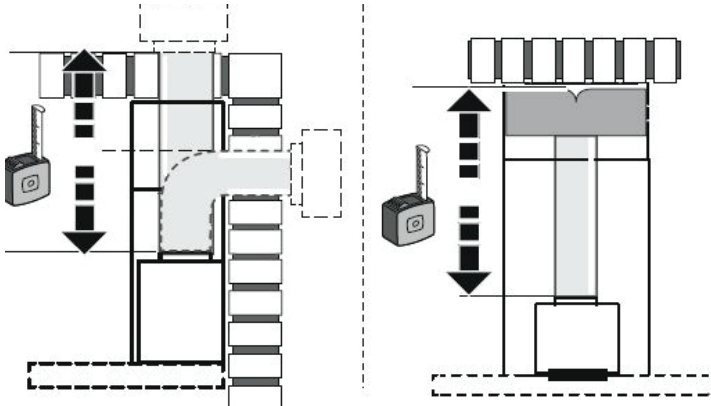
3. Serrer les deux vis et fixer de façon permanente la hotte au mur au moyen des vis de sécurité Ø5x45 mm avec rondelles comme indiqué à la figure.



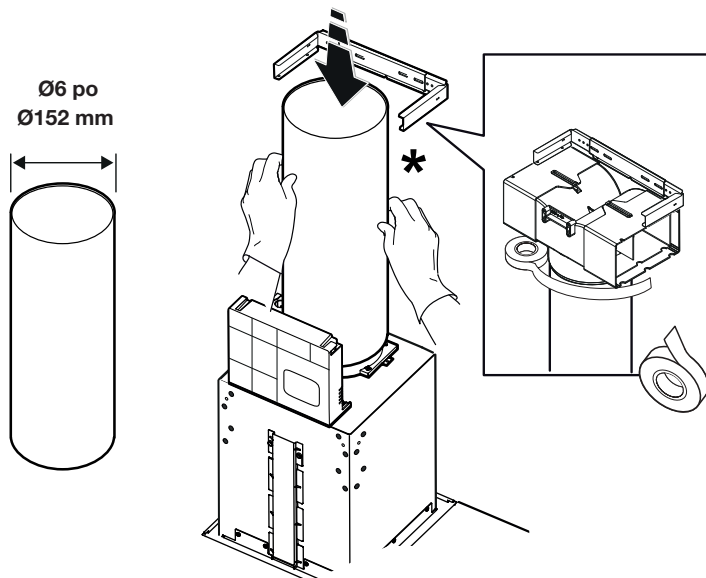
4. Retirer l'autocollant du boîtier du système électrique comme illustré à la figure, et suivre les étapes 1, 2 et 3.



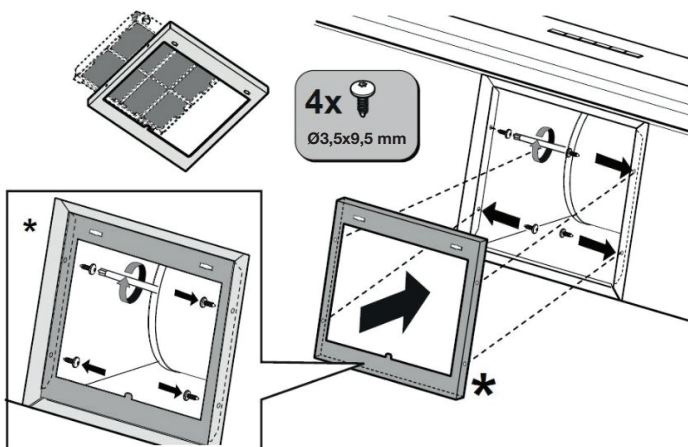
5. Fixation du conduit de sortie d'air de la version Évacuation ou la version recyclage, figure. Utiliser un conduit dont le diamètre n'est pas inférieur à celui du raccordement de la hotte et le nombre minimum de coudes requis. Ajuster et si nécessaire couper le conduit en excès. Le cache-conduit doit être acheté et doit être compatible avec la réglementation en vigueur dans votre pays.



6. Fixer le cache-conduit à la partie inférieure du produit et le connecter à la sortie externe dans la version avec évacuation, et au déflecteur d'air dans la version avec recyclage, voir l'illustration.



7. L'ensemble est composé d'un filtre à charbon, d'un support et de 4 vis Ø3,5x9,5 mm, le support doit être fixé à la partie inférieure de la hotte au moyen des 4 vis fournies, figure.



Raccordement électrique

⚠ AVERTISSEMENT



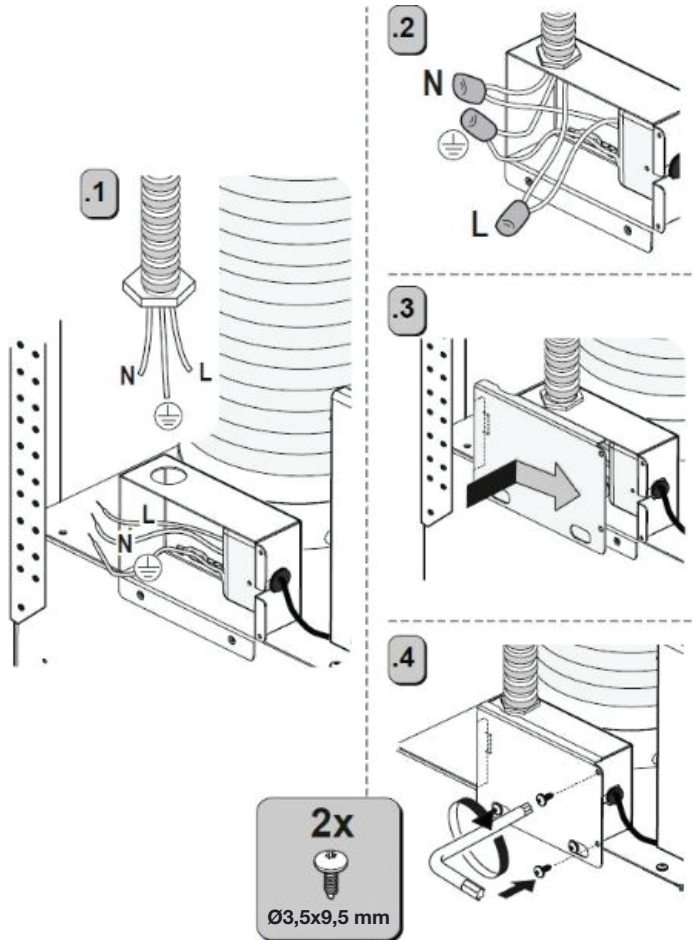
Risque de choc électrique

Déconnecter la source de courant électrique avant l'entretien.

Replacer pièces et panneaux avant de faire la remise en marche.

Le non-respect de ces instructions peut causer un décès ou un choc électrique.

1. Débrancher l'alimentation.
2. Ôter le couvercle de la boîte de connexion
3. Ôter l'opercule arrachable du boîtier de connexion et installer un serre-câbles de 1/2 po (12,7 mm) (homologation UL ou CSA).
4. Acheminer le cordon d'alimentation du domicile à travers le serre-câbles et dans le boîtier de connexion.
5. Connecter ensemble les conducteurs noirs (L) à l'aide de connecteurs de fils homologués UL.
6. Connecter ensemble les conducteurs blancs (N) à l'aide de connecteurs de fils homologués UL.



⚠ AVERTISSEMENT



Risque de choc électrique

Relier le ventilateur à la terre.

Brancher le fil relié à la terre au fil vert et jaune relié à la terre dans la boîte de la borne.

Le non-respect de ces instructions peut causer un décès ou un choc électrique.

7. À l'aide des connecteurs de fils (homologation UL), connecter le conducteur de liaison à la terre (vert ou nu) du câble d'alimentation du domicile au fil de liaison à la terre vert jaune (F) dans le boîtier de connexion.
8. Serrer la vis du serre-câbles.
9. Installer le couvercle du boîtier de connexion.
10. Vérifier que toutes les ampoules d'éclairage sont bien fixées dans leur douille.
11. Rebrancher l'alimentation.

Installations avec l'ensemble du cordon d'alimentation en option

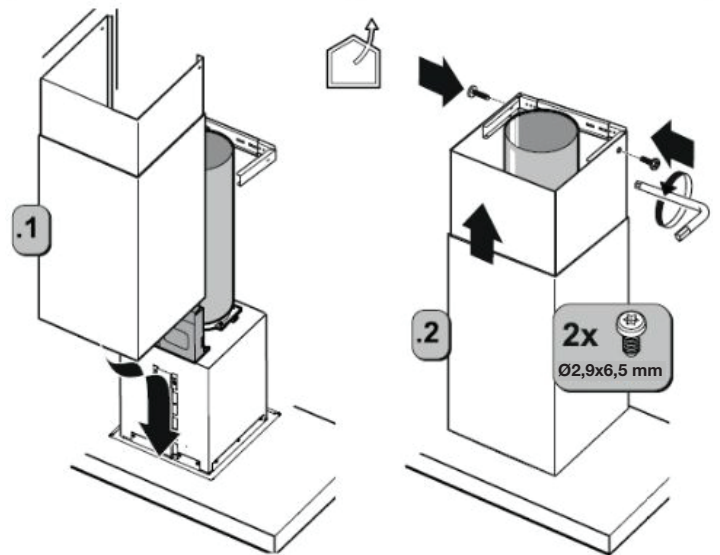
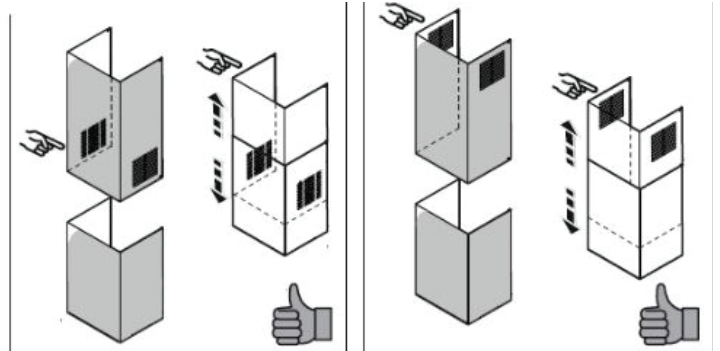
Pour les installations avec l'ensemble du cordon d'alimentation facultatif, suivre les instructions fournies avec l'ensemble du cordon d'alimentation. Consulter la section « Assistance ou service » pour plus de renseignements et pour commander.

REMARQUE : Utiliser uniquement avec des nécessaires de raccordement du cordon d'alimentation de la hotte dont l'utilisation a été testée et déclarée adéquate pour ce modèle de hotte.

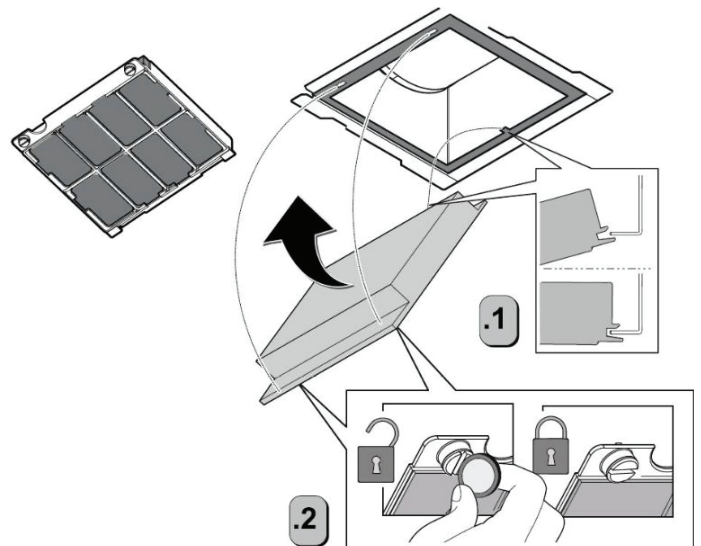
Installation des cache-conduits

REMARQUE : Enlever la pellicule des cache-conduits.

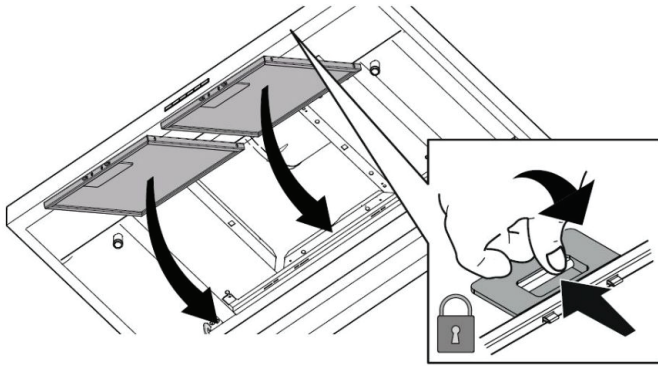
1. Dans la version Évacuation, la grille est tournée vers le bas et dans la version recyclage, la grille est tournée vers le haut comme indiqué à la figure. Positionner les cache-conduit sur la hotte, prendre le cache-conduit supérieur et le fixer au support au moyen des deux vis Ø2,9x6,5 mm comme indiqué aux étapes 1 et 2.



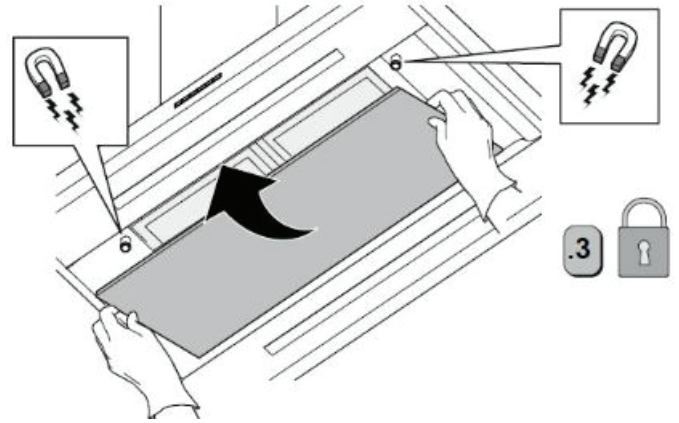
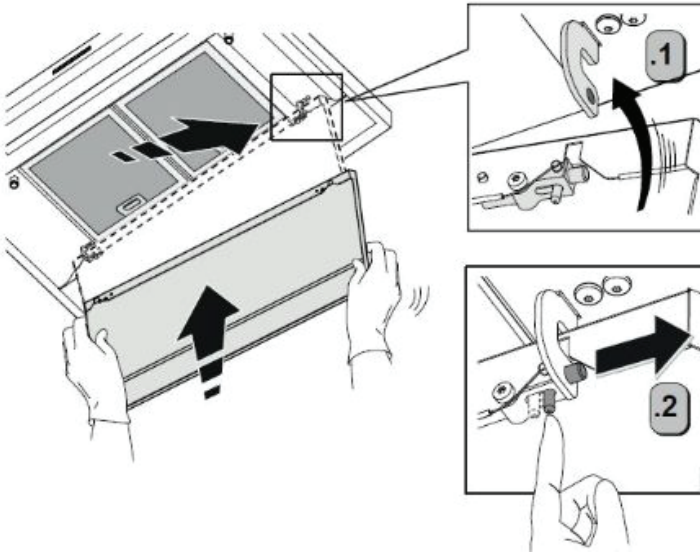
2. Si le produit est la version recyclage, placer le filtre à charbon sur le support comme indiqué à la figure.



3. Repositionner les filtres à graisse dans leurs sièges, comme indiqué à la figure.



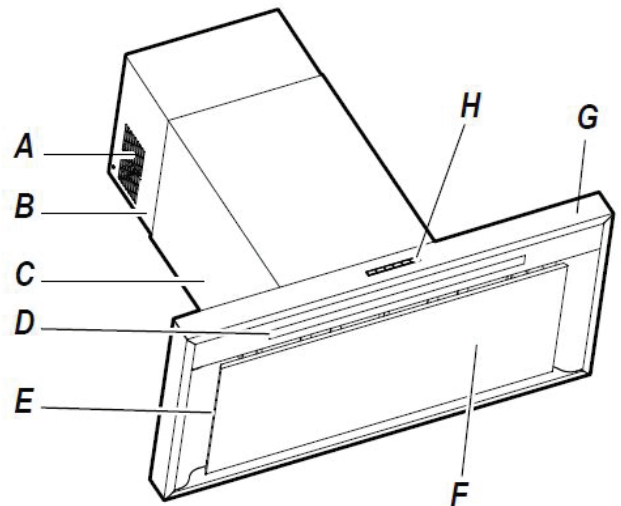
4. Repositionner le panneau d'aspiration périphérique comme indiqué à la figure, étapes 1, 2 et 3.



UTILISATION DE LA HOTTE

La hotte est conçue pour extraire fumée, vapeurs de cuisson et odeurs de la zone de la table de cuisson. Pour des résultats optimaux, mettre la hotte en marche avant d'entreprendre une cuisson, et la laisser fonctionner pendant plusieurs minutes après une cuisson afin d'évacuer toute odeur de cuisson et fumée de la cuisine.

Les commandes de la hotte sont situées à l'avant de la hotte.



A. Ouvertures persiennes
(Installations sans évacuation à l'extérieur uniquement)

B. Parties supérieures du cache-conduit

C. Parties inférieures du cache-conduit

D. 1 lampes DEL

E. Filtres à graisse métalliques (situés derrière le couvercle de périphérie)

F. Couvercle périphérique

G. Hotte-auvent

H. Tableau de commande

Commandes et caractéristiques

La hotte est équipée d'un tableau de commande avec commande de sélection de la vitesse d'aspiration et d'un interrupteur pour contrôler l'éclairage de la zone de cuisson.

T1 = Bouton MARCHE/ARRÊT du moteur – 1re vitesse.

T2 = 2e Vitesse.

T3 = 3e Vitesse.

T4 = 4e Vitesse.

La vitesse Boost est temporisée; après 5 minutes, la hotte revient à la vitesse précédemment réglée.

T5 = Bouton MARCHE/ARRÊT de l'éclairage.

T6 = Bouton Réinitialisation pour les filtres :

Les filtres doivent toujours être réinitialisés avec le moteur en marche.

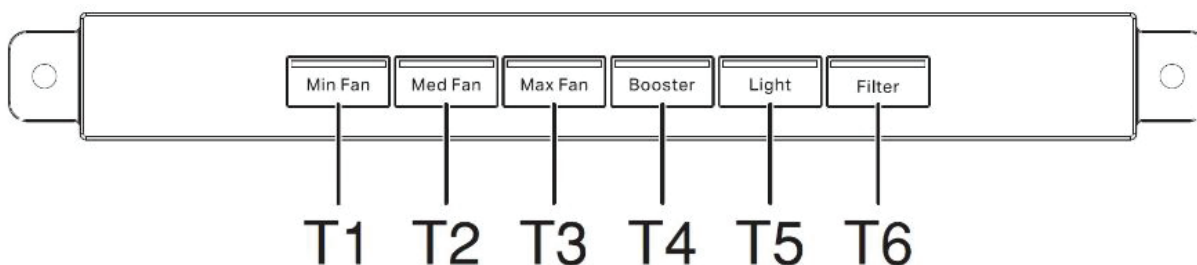
La hotte avertira l'utilisateur qu'il est temps d'effectuer des travaux d'entretien sur les filtres, en émettant un signal lumineux.

Bouton clignotant : effectuer l'entretien des filtres à graisses, ensuite appuyer sur le bouton pendant plus de 3 secondes et le bouton s'éteindra.

Bouton allumé : effectuer l'entretien des filtres à charbon, après cela appuyer sur le bouton pendant plus de 3 secondes, le bouton s'éteint.

Attention : la hotte est munie uniquement d'un signal d'avertissement pour les filtres graisseux.

Tableau de commande



Minuterie

La hotte peut être réglée pour s'éteindre automatiquement après 15 minutes.

1. Maintenir appuyé le bouton de la vitesse de ventilateur désirée pendant 2 secondes.

Le moteur du ventilateur fonctionne alors à la vitesse sélectionnée pendant 15 minutes et le témoin lumineux de la vitesse du ventilateur clignote en continu.

Après 15 minutes, le ventilateur s'éteint automatiquement.

2. Lorsque la minuterie du ventilateur est en marche, appuyer encore une fois sur le bouton correspondant à la vitesse de ventilateur désirée pour annuler la minuterie du ventilateur.

REMARQUE : On peut également annuler la minuterie de 15 minutes en modifiant la vitesse du ventilateur ou en mettant en route la fonction de détection automatique.

Pour mettre en fonction le signal du filtre à graisse :

Éteindre la hotte, appuyer sur le bouton de l'interrupteur n° 6 pendant plus de 3 secondes; l'interrupteur s'allumera pour signaler que la fonction a été réglée.

Pour désactiver le signal du filtre à charbon, répéter à nouveau toute la procédure.

Fonctions

Vitesses du ventilateur

Min Appuyer sur MIN FAN (ventilateur au minimum) pour mettre en marche le ventilateur à la vitesse minimum.

Moy Appuyer sur MED FAN (ventilateur à vitesse moyenne) pour mettre en marche le ventilateur à vitesse moyenne.

Max Appuyer sur MAX FAN (ventilateur au maximum) pour mettre en marche le ventilateur à vitesse maximum.

Boost Appuyer sur BOOST (niveau optimal) pour mettre en marche le ventilateur à vitesse maximale. Le mode du niveau optimal s'arrête automatiquement au bout de 5 minutes, et la vitesse du ventilateur se règle sur High (élevée).

Filtre

Le témoin lumineux du bouton Filter (filtre) s'allume lorsqu'il est temps de remplacer ou de nettoyer le filtre. Le bouton ne s'allumera que lorsque le ventilateur est en marche. Appuyer sur FILTER (filtre) après avoir remplacé le filtre pour éteindre le témoin lumineux du bouton Filter (filtre). Voir la section « Nettoyage général » pour des instructions de remplacement et de nettoyage du filtre.

Lampe

Appuyer sur LIGHT (lampe) pour allumer ou éteindre les lampes de la hotte.

ENTRETIEN DE LA HOTTE

Instructions aux utilisateurs sur l'entretien et la maintenance

Nettoyage :

Nettoyer en utilisant UNIQUEMENT un chiffon imbibé de détergent liquide neutre. NE PAS NETTOYER AVEC DES OUTILS OU DES INSTRUMENTS.

Ne pas utiliser de produits abrasifs. NE PAS UTILISER D'AGENT D'ALCOOL.

Tamis à vapeur :

Le tamis à vapeur doit toujours être laissé fermé et ouvert uniquement pour l'entretien (par ex. nettoyage ou changement des filtres).

Filtre à graisse

Piège les particules de graisse de cuisson.

Le filtre doit être nettoyé une fois par mois (ou lorsque le système d'indication de saturation du filtre – si indiqué sur le modèle en possession – indique cette nécessité) en utilisant des détergents non agressifs, à la main ou au lave-vaisselle, lequel doit être réglé à basse température et à programme court. Lorsque lavé dans un lave-vaisselle, le filtre à graisse peut se décolorer légèrement, mais cela n'affecte pas sa capacité de filtrage.

Filtre à charbon (Sans décharge à l'extérieur [recyclage])

Il absorbe les odeurs désagréables causées par la cuisson.

Le filtre à charbon peut être lavé une fois tous les deux mois (ou lorsque le système d'indication de saturation du filtre – si indiqué sur le modèle en possession – indique cette nécessité) à l'aide d'eau chaude et de détergent approprié, ou au lave-vaisselle à 65 °C (si le lave-vaisselle est utilisé, sélectionner la fonction Full cycle [programme complet] et ne pas ajouter de vaisselle à l'intérieur). Éliminer l'excès d'eau sans endommager le filtre, puis le mettre au four pendant 10 minutes à 212 °F (100 °C) pour le faire sécher complètement. Remplacer le filtre tous les 3 ans et lorsque le tissu est endommagé.

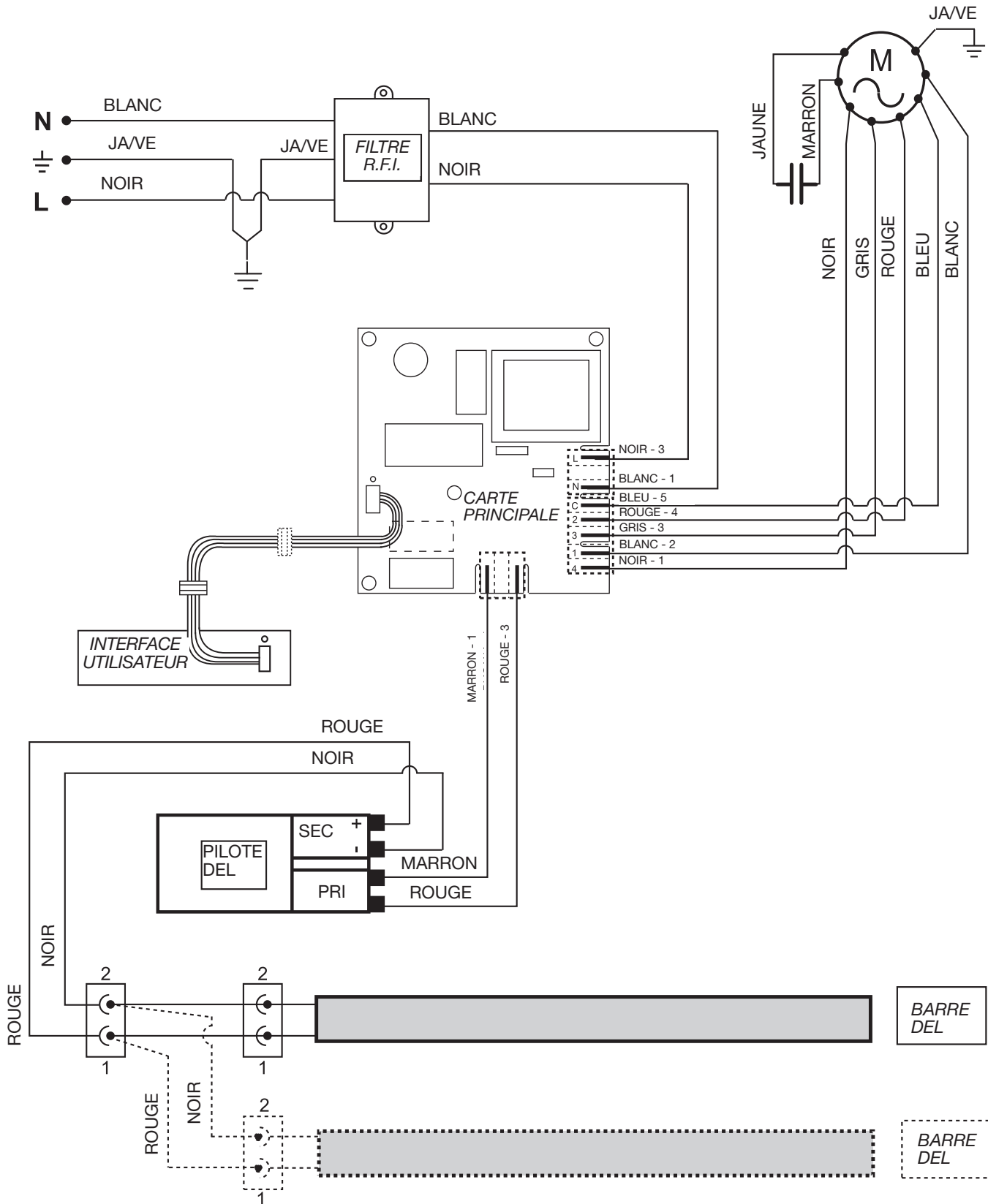
Remplacer les lampes

La hotte est équipée d'un système d'éclairage basé sur la technologie DEL.

Les DEL garantissent un éclairage optimal, une durée jusqu'à 10 fois plus longue que les lampes traditionnelles et permettent d'économiser 90 % d'énergie électrique.

Pour le remplacement, contacter le service technique.

SCHÉMA DE CÂBLAGE



SEL0172982

ASSISTANCE OU SERVICE

Si vous avez besoin de pièces de rechange

Pour commander des pièces de rechange, nous vous recommandons d'utiliser seulement des pièces spécifiées par l'usine. Les pièces spécifiées par l'usine conviendront et fonctionneront bien, car elles sont fabriquées selon la même précision que celle utilisée pour fabriquer chaque nouvel appareil.

Pour obtenir des pièces de remplacement spécifiées par l'usine dans votre région, composez le numéro de téléphone d'aide à la clientèle suivant ou appelez le centre de service désigné le plus proche.

Aux É.-U.

Appelez sans frais au Centre pour l'eXpérience de la clientèle JennAir au

1-800-JENNAIR (1-800-536-6247) ou visitez notre site Web au **www.jennair.com**.

Nos conseillers peuvent vous aider sur les points suivants :

- Programmation d'une intervention de dépannage. Les techniciens de service désignés par la gamme des appareils électroménagers JennAir® sont formés pour remplir la garantie des produits et fournir un service après garantie partout aux États-Unis.
- Caractéristiques et spécifications de notre gamme complète d'appareils ménagers.
- Consultez le revendeur local d'appareils JennAir®.
- Renseignements sur l'installation.
- Procédures d'utilisation et d'entretien.
- Vente d'accessoires et de pièces de rechange.
- Assistance spécialisée au client (langue espagnole, malentendants, malvoyants, etc.).

Pour plus d'assistance

Si vous avez besoin de plus d'assistance, vous pouvez écrire au service des appareils électroménagers JennAir® en soumettant toute question ou tout problème à :

JennAir Brand Home Appliances
Customer eXperience Center
553 Benson Road
Benton Harbor, MI 49022-2692

Veillez indiquer dans votre correspondance un numéro de téléphone où l'on peut vous joindre dans la journée.

Au Canada

Appelez sans frais le centre d'eXpérience à la clientèle Whirlpool Canada au **1-800-JENNAIR (1-800-536-6247)**, ou visitez notre site Web à **www.jennair.ca**.

Nos conseillers peuvent vous aider sur les points suivants :

- Programmation d'une intervention de dépannage. Les techniciens de service désignés par la gamme d'appareils électroménagers JennAir® sont formés pour remplir la garantie des produits et fournir un service après la garantie, partout au Canada.
- Caractéristiques et spécifications de notre gamme complète d'appareils ménagers.
- Consultez le revendeur local d'appareils JennAir®.
- Renseignements sur l'installation.
- Procédures d'utilisation et d'entretien.
- Vente d'accessoires et de pièces de rechange.

Pour plus d'assistance

Si vous avez besoin de plus d'assistance, vous pouvez écrire au service des appareils électroménagers JennAir® en soumettant toute question ou tout problème à :

JennAir Brand Home Appliances
Centre d'eXpérience pour la clientèle
200 – 6750 Century Ave.
Mississauga, Ontario L5N 0B7

Veillez indiquer dans votre correspondance un numéro de téléphone où l'on peut vous joindre dans la journée.

Accessoires

Trousse de cache-conduit de 10,5 pi à 12,1 pi (3,2 m à 3,7 m)

Commander la pièce n° W11522794

Trousse de cache-conduit de 8,9 pi à 10,5 pi (2,7 m à 3,2 m)

Commander la pièce n° W11522796

Trousse de filtre au charbon – trousse de recyclage

(pour installations sans décharge à l'extérieur uniquement)

Commander la pièce n° W11522798

Trousse de filtre (remplacement)

Commander la pièce n° W11522797

Ensemble d'air de compensation de 6 po (15,2 cm)

(consulter les codes du bâtiment local)

Commander la pièce n° W10446915

REMARQUES

REMARQUES