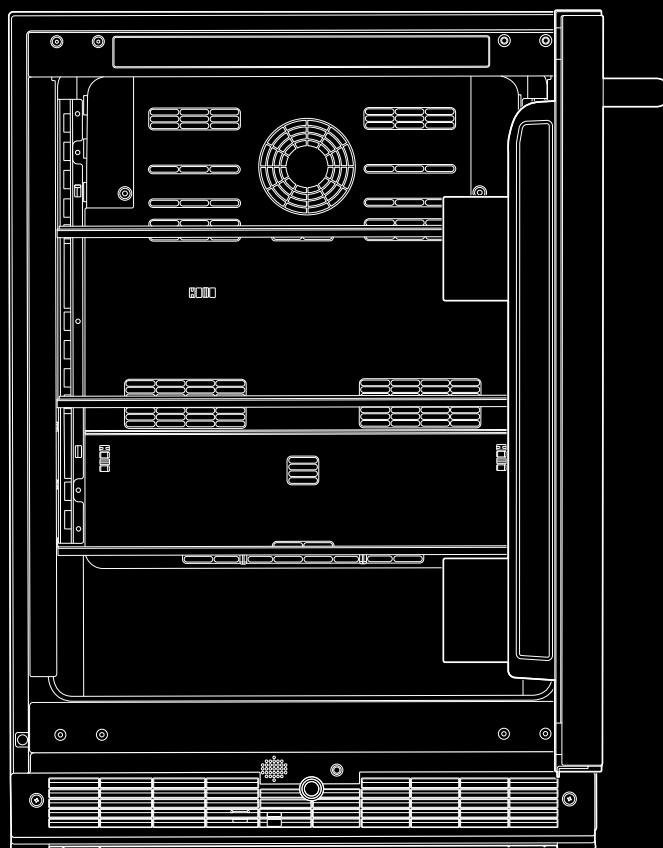


USE AND CARE GUIDE AND INSTALLATION INSTRUCTIONS

UNDER COUNTER REFRIGERATOR

GUIDE D'UTILISATION ET D'ENTRETIEN ET INSTRUCTIONS D'INSTALLATION

RÉFRIGÉRATEUR SOUS COMPTOIR



For questions about features, operation/performance, parts, accessories, or service, call:
1-800-JENNAIR (1-800-536-6247) or visit our website at www.jennair.com.
In Canada, call: **1-800-JENNAIR (1-800-536-6247)**, or visit our website at www.jennair.ca.

Pour des questions à propos des caractéristiques,
du fonctionnement/rendement, des pièces, accessoires ou service, composer le :
1 800 JENNAIR (1 800 536-6247) ou visiter notre site Web au www.jennair.com
Au Canada, composer le : **1 800 JENNAIR (1 800 536-6247)** ou visiter notre site Web au www.jennair.ca



JENNAIR®

TABLE OF CONTENTS

INTRODUCTION	
Safety.....	3
Proper Disposal of Your Old Refrigerator.....	4
Features.....	4
INSTALLATION REQUIREMENTS	
Tools and Parts.....	5
Location Requirements.....	5
Product Dimensions.....	6
Custom Overlay Panel.....	6
Handle (Optional).....	7
Electrical Requirements.....	8
INSTALLATION INSTRUCTIONS	
Unpack the Refrigerator.....	8
Custom Overlay Panel Installation.....	9
Installation and Door Closing.....	10
USING REFRIGERATOR	
Controls.....	11
Normal Sounds.....	12
Refrigerator Shelves.....	12
Door Bins.....	13
Lights.....	13
CARE AND CLEANING	
Cleaning.....	13
Removing Base Grille.....	13
Vacation Care.....	14
Moving Care.....	14
TROUBLESHOOTING	
Operation.....	14
Temperature and Moisture.....	14
Door.....	15
ASSISTANCE	
In the U.S.A.....	15
In Canada.....	15
Warranty.....	16

TABLE DES MATIÈRES

INTRODUCTION	
Sécurité.....	18
Mise au rebut du vieux réfrigérateur.....	19
Caractéristiques.....	19
EXIGENCES D'INSTALLATION	
Outils et pièces.....	20
Exigences d'emplacement.....	20
Dimensions du produit.....	21
Panneau décoratif personnalisé.....	21
Poignée (facultatif).....	22
Spécifications électriques.....	23
INSTRUCTIONS D'INSTALLATION	
Déballage du réfrigérateur.....	23
Installation du panneau personnalisé.....	24
Installation et fermeture de la porte.....	25
UTILISATION DU RÉFRIGÉRATEUR	
Commandes.....	26
Sons normaux.....	27
Tablettes du réfrigérateur.....	28
Balconnets de porte (modèles avec porte pleine).....	28
Lampes.....	28
ENTRETIEN ET NETTOYAGE	
Nettoyage.....	29
Enlever la grille de la base.....	29
Entretien avant les vacances.....	30
Précautions à prendre avant un déménagement.....	30
DÉPANNAGE	
Utilisation.....	30
Température et humidité.....	30
Porte.....	31
ASSISTANCE	
Aux É.-U.....	32
Au Canada.....	32
Garantie.....	33

INTRODUCTION

SAFETY

Your safety and the safety of others are very important.

We have provided many important safety messages in this manual and on your appliance. Always read and obey all safety messages.



This is the safety alert symbol.

This symbol alerts you to potential hazards that can kill or hurt you and others.

All safety messages will follow the safety alert symbol and either the word "DANGER" or "WARNING."

These words mean:

⚠ DANGER

You can be killed or seriously injured if you don't immediately follow instructions.

⚠ WARNING

You can be killed or seriously injured if you don't follow instructions.

All safety messages will tell you what the potential hazard is, tell you how to reduce the chance of injury, and tell you what can happen if the instructions are not followed.

IMPORTANT SAFETY INSTRUCTIONS

WARNING: To reduce the risk of fire, electric shock, or injury when using your refrigerator, follow these basic precautions:

- Plug into a grounded 3 prong outlet.
- Do not remove ground prong.
- Do not use an adapter.
- Do not use an extension cord.
- Disconnect power before servicing.
- Replace all parts and panels before operating.
- Remove doors from your old refrigerator.
- Use non flammable cleaner.
- Do not store or use petrol, flammable liquids or gas in the vicinity of this or other electrical appliances. The fumes can cause fires or explosions.
- Do not store explosive substances such as aerosol cans with a flammable propellant in this refrigerator.
- Do not use or place electrical devices inside the refrigerator compartments if they are not of the type expressly authorized by the manufacture.
- Use two or more people to move and install refrigerator.
- This appliance is not intended for use by persons (including children) with reduced physical, sensory or mental capabilities, or lack of experience and knowledge, unless they have been given supervision or instruction concerning use of the appliance by a person responsible for their safety.
- Children should be supervised to ensure that they do not play with the appliance.
- To avoid the risk of children becoming trapped and suffocating, do not allow them to play or hide inside the refrigerator.
- If the power supply cord is damaged, it must be replaced by the manufacturer or its service agent or a similarly qualified person.
- Keep ventilation openings, in the appliance enclosure or in the built-in structure, clear of obstruction.
- Do not use mechanical devices or other means to accelerate the defrosting process, other than those recommended by the manufacturer.
- Do not damage the refrigerant circuit.

SAVE THESE INSTRUCTIONS

PROPER DISPOSAL OF YOUR OLD REFRIGERATOR

! WARNING

Suffocation Hazard

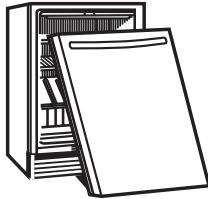
Remove doors from your old refrigerator.

Failure to do so can result in death or brain damage.

IMPORTANT: Child entrapment and suffocation are not problems of the past. Junked or abandoned refrigerators are still dangerous – even if they will sit for “just a few days.” If you are getting rid of your old refrigerator, please follow these instructions to help prevent accidents.

Before You Throw Away Your Old Refrigerator:

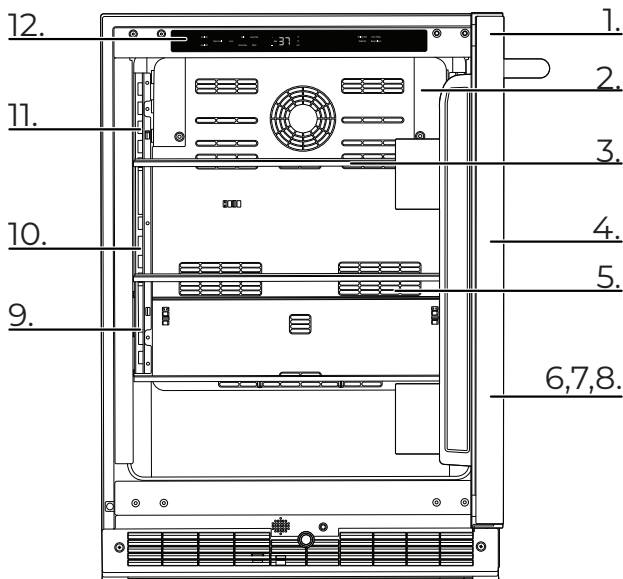
- Take off the door.
- Leave the racks in place so that children may not easily climb inside.



Important information to know about disposal of refrigerants:

Dispose of refrigerator in accordance with Federal and Local regulations. Refrigerants must be evacuated by a licensed, EPA certified refrigerant technician in accordance with established procedures.

FEATURES



1. Stealth Flush Design with Smooth Close Door

Create an unbroken silhouette. Discreet 1/8" reveals envelop every side, without exposed hinges or trim pieces. Quiet, soft, secure. An articulating hinge discreetly ushers the door open and gently pulls it closed.

2. Daring Obsidian Interior

Inspired by volcanic glass, this dark finish erupts with reflective, high-contrast style. Let the object of your desire emerge like vibrant art, begging to be consumed.

3. Glass Shelves

Gaze through platforms of glass wrapped in unyielding shelf frames.

4. UV-Resistant Low-E Thermal Glass

Sustain what satiates. Double-paned glass helps filter out ultraviolet light and rejects temperature swings to reserve the finest tastes for your discerning palate.

5. LED Lighting

LED lights instinctively come alive, chasing away shadows to reveal vivid details.

6. RISE™ Design Expression

Embrace an era of striking proportions. A stainless steel suit of armor gleams with spectacular light. This is strength—inextricable from beauty. Forged in the fires of progress, the RISE™ design expression towers over stagnant, uninspired designs that have inherited undeserved standing.

7. NOIR™ Design Expression

Lose yourself in a world that's yours alone. Crisp silhouettes crackle with mystique; beguiling reflections flow in and out of sight. Taut with ceaseless allure and minimalist appeal, the NOIR™ design expression rejects dated ideals of beauty.

8. Custom Panel Overlay

Break free with custom panels that allow unapologetic expression. Custom panels and handles must be purchased separately.

9. Door Open Alarm

Helps protect food by giving an audio and visual alert if the door is left open for 10 minutes.

10. Display Lighting Option

Features energy-efficient LED lights that provide a clear view without excessive heat that can affect internal temperatures.

11. Hushed Acoustics

Our internal compressor keeps your beverages impeccably chilled, while running unobtrusively in the background. Brilliance doesn't have to announce itself; it just is.

12. Emotive Controls

Hold sway over every zone. Let your light-guided touch coax out the flavors of beverages, spirits and beyond.

INSTALLATION REQUIREMENTS

TOOLS AND PARTS

Gather the required tools and parts before starting installation

TOOLS AND PARTS NEEDED:

- Phillips screwdriver
- Custom Overlay Door Panel — Refer “ Custom Overlay Panel Preparation.”
- Custom handle and mounting hardware (optional)

PARTS SUPPLIED:

- M4 x 30 flathead screws (8)

LOCATION REQUIREMENTS

⚠ WARNING



Explosion Hazard

Keep flammable materials and vapors, such as gasoline, away from refrigerator.

Failure to do so can result in death, explosion, or fire.

IMPORTANT: This appliances is intended to be used in household and similar applications such as:

- Staff kitchen areas in shops, office and other working environments;
- Farm houses and by clients in hotels, motels and other residential type environments;
- Bed and breakfast type environments;
- Catering and similar non-retail applications.

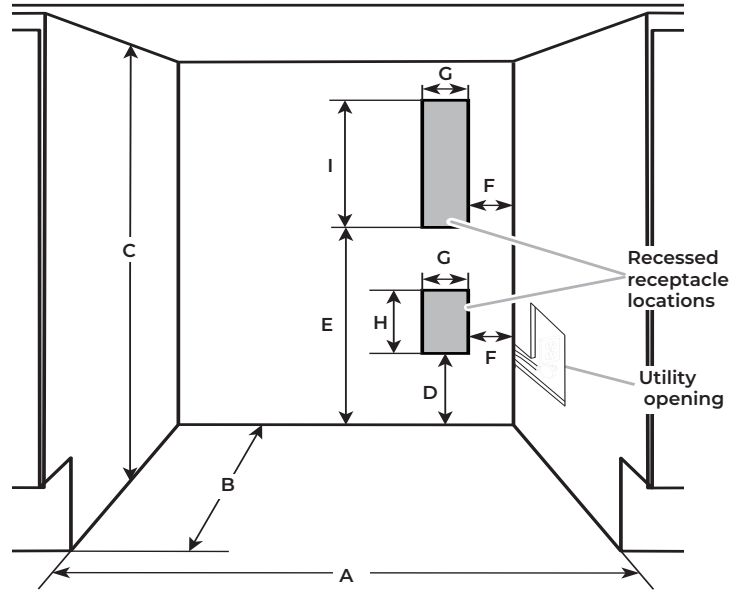
NOTES:

- For the refrigerator to be flush with the front of the base cabinets, remove any baseboards or moldings from the rear of the opening. Refer “Product Dimensions” and later in this section, “Opening Dimensions.”
- It is recommended that you do not install the refrigerator near an oven, radiator, or other heat source.
- Do not install in a location where the temperature will fall below 55°F (13°C). For best performance, do not install the refrigerator behind a cabinet door or block the base grille.

OPENING DIMENSIONS

- Height dimensions are shown with the leveling legs extended to the minimum height.

NOTE: When leveling legs are fully extended, add 5/8" (15 mm) to the height dimensions. Refer “Product Dimensions.”
- If the floor of the opening is not level with the kitchen floor, shim the opening to make it level with the kitchen floor.



Opening and utility location dimensions

Opening width - A	24" (60.96 cm) min.
Opening depth - B	24" (60.96 cm) min.
Opening height - C	34½" (87.6 cm) min. 35" (88.9 cm) max.
Dimension - D	12¼" (30.64 cm)
Dimension - E	21¾" (55.16 cm)
Dimension - F	1¾" (4.44 cm)
Dimension - G	3" (7.55 cm)
Dimension - H	4½" (11.37 cm)
Dimension - I	9¼" (23.47 cm)

For flush installation, the power outlet can be installed in adjacent cabinetry with a cutout on the power cord side for routing of the power cord.

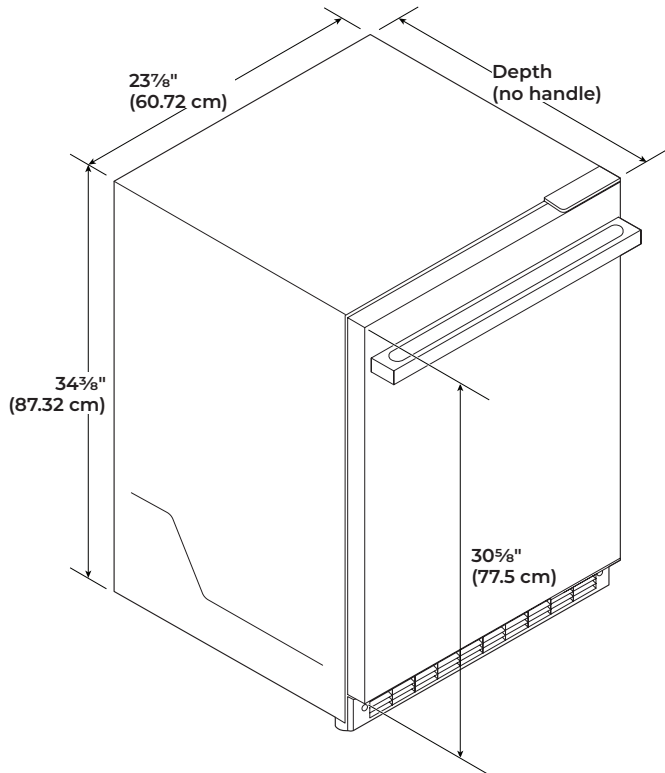
The power outlet can also be recessed on the back wall behind the unit as per recommended receptacle locations in the above illustration.

PRODUCT DIMENSIONS

OVERALL PRODUCT

Width (up to hinge cover)	23 ⁷ / ₈ " (60.72 cm)
Height (up to hinge cover)	34 ³ / ₈ " (87.32 cm)
Glass door model (NOIR™) depth (no handle)	23 ³ / ₄ " (60.36 cm)
Glass door model (RISE™) depth (no handle)	23 ⁵ / ₈ " (60 cm)
Solid door models (NOIR™/ RISE™)	23 ⁵ / ₈ " (60 cm)
Panel ready models depth (with 3/4" panel and no handle)	23 ¹³ / ₁₆ " (60.5 cm)
Raw Door Height	30 ⁵ / ₈ " (77.75 cm)

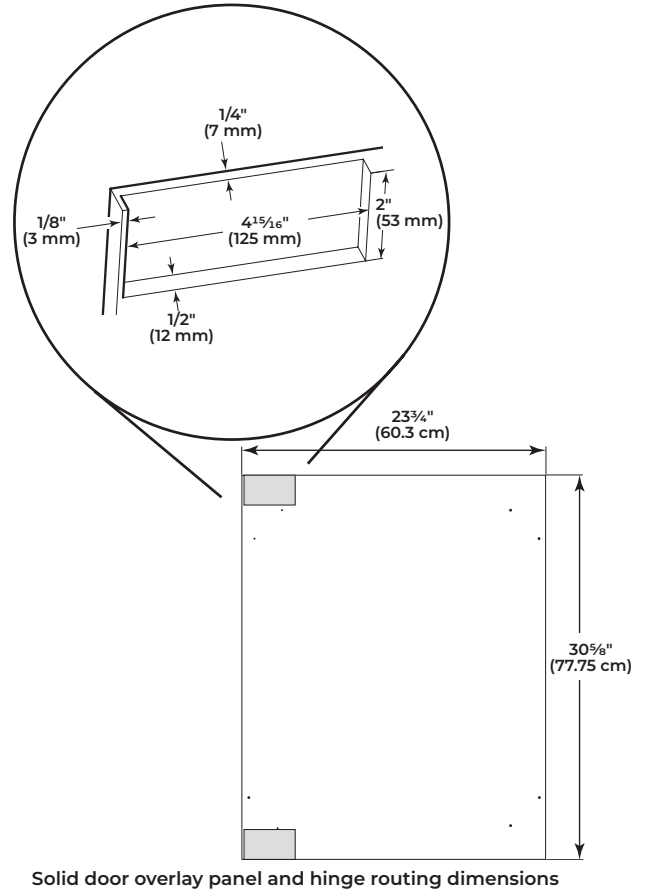
NOTE: The power cord is 60" (152.4 cm) long.



SOLID DOOR OVERLAY PANEL — PREPARATION

Create the custom overlay panel using the dimensions shown in the illustration "Solid door overlay panel and hinge routing dimensions". Rout shaded areas to a 1/2" (12 mm) depth as shown.

IMPORTANT: The following graphic shows a custom panel for a door with the hinges installed on the right-hand side. If your refrigerator has the hinges installed on the left-hand side, rotate the custom frame 180° so the hinge markings will be on the left.



CUSTOM OVERLAY PANEL

NOTE: For standard stainless steel or glass door models, skip these instructions and go to "Electrical Requirements" section.

If you plan to install a custom overlay panel, you will need to create the panel yourself or consult a qualified cabinetmaker or carpenter. Refer dimension drawings for panel specifications.

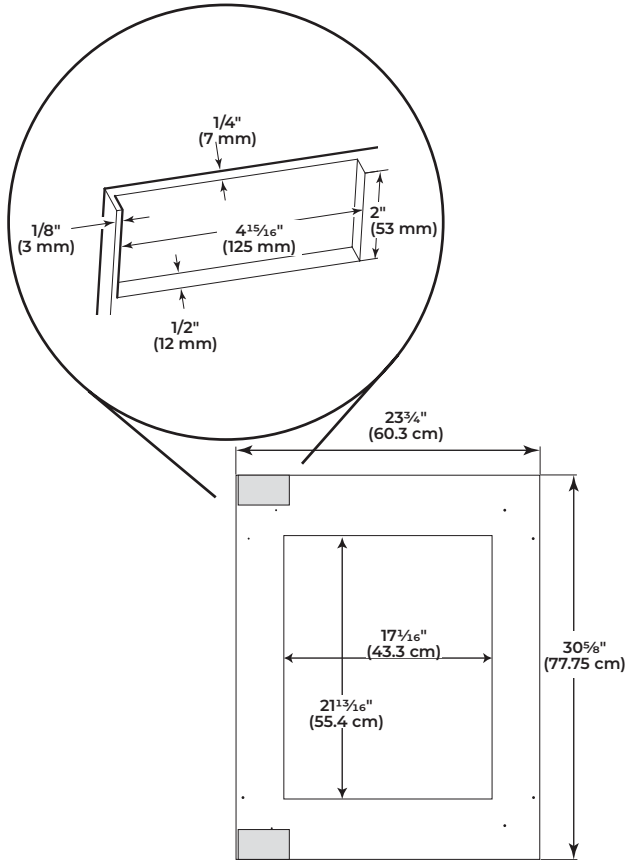
IMPORTANT:

- The thickness of the overlay panel must be 3/4" (19 mm).
- Custom solid door overlay panel must not weigh more than 20 lbs (9.07 kg).
- Custom solid door overlay panel must not weigh more than 10 lbs (4.54 kg).
- Overlay panels weighing more than recommended may cause damage to your appliance.

GLASS DOOR OVERLAY PANEL — PREPARATION

Create the custom overlay panel using the dimensions shown in the illustration "Glass door overlay panel and hinge routing dimensions". Rout shaded areas to a 1/2" (12 mm) depth as shown.

IMPORTANT: The following graphic shows a custom panel for a door with the hinges installed on the right-hand side. If your refrigerator has the hinges installed on the left-hand side, rotate the custom frame 180° so the hinge markings will be on the left.



Glass door overlay panel and hinge routing dimensions

HANDLE (OPTIONAL)

Custom handles are typically attached to the custom overlay door panel only.

Refer instructions received with JennAir RISE™ and NOIR™ handle kits to install these handles on custom wood panels.

Custom handle needs to be installed on the door panel with countersunk holes and installed before the custom overlay door panel has been installed on the refrigerator door.

ELECTRICAL REQUIREMENTS

⚠ WARNING



Electrical Shock Hazard

Plug into a grounded 3 prong outlet.

Do not remove ground prong.

Do not use an adapter.

Do not use an extension cord.

Failure to follow these instructions can result in death, fire, or electrical shock.

Before you move your refrigerator into its final location, it is important to make sure you have the proper electrical connection.

RECOMMENDED GROUNDING METHOD

A 115 V, 60 Hz, AC only, 15 or 20 A fused, grounded electrical supply is required. It is recommended that a separate circuit serving only your refrigerator be provided. Use an outlet that cannot be turned off by a switch. Do not use an extension cord.

NOTE: Before performing any type of installation, cleaning, or removing a light bulb, unplug refrigerator or disconnect power.

INSTALLATION INSTRUCTIONS

UNPACK THE REFRIGERATOR

⚠ WARNING

Excessive Weight Hazard

Use two or more people to move and install refrigerator.

Failure to do so can result in back or other injury.

Before using your refrigerator, all packaging materials should be removed and the interior should be cleaned.

- Remove tape and glue residue from surfaces before turning on the refrigerator. With your fingers, rub a small amount of liquid dish soap over any adhesive and wipe with warm water to remove.
- Do not use sharp instruments, rubbing alcohol, flammable fluids, or abrasive cleaners to remove tape or glue. These can damage the surfaces of your refrigerator. For more information, refer "Refrigerator Safety" section.

- Dispose of and/or recycle all packaging materials.
- After all packaging materials have been removed, clean the inside of your refrigerator. Refer the cleaning instructions in "Cleaning" section.

Important information to know about glass shelves and covers:

Do not clean glass shelves or covers with warm water when they are cold. Shelves and covers may break if exposed to sudden temperature changes or impact, such as bumping. Tempered glass is designed to shatter into many small, pebble-size pieces. This is normal. Glass shelves and covers are heavy. Use both hands when removing them to avoid dropping.

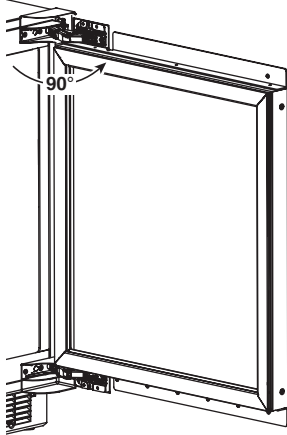
NOTE: For standard stainless steel or glass door models, skip to "Door Closing" section.

CUSTOM OVERLAY PANEL INSTALLATION

IMPORTANT:

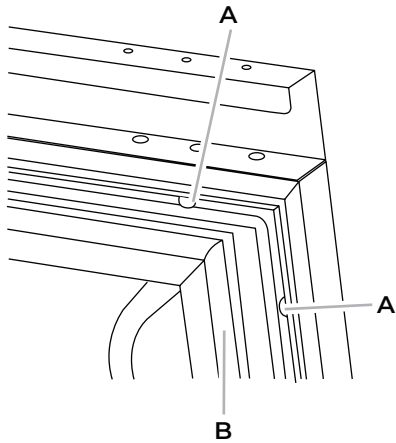
- Create custom overlay panel according to the specifications in the “Custom Overlay Panel” section.
- JennAir is not responsible for the removal or addition of molding or decorative panels that would not allow access to the refrigerator for service.

1. Open the door completely to 90°.



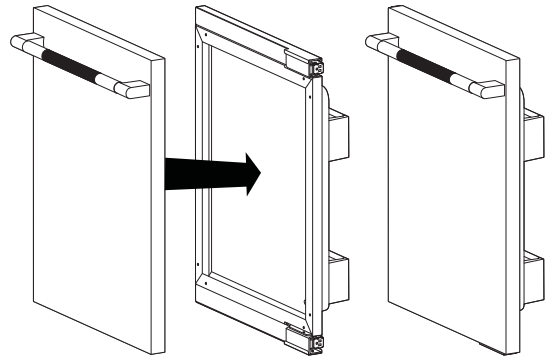
2. Remove the gasket from the corners of the door, pulling gently until the two screw holes in each corner of the door can be seen.

NOTE: The gasket does not have to be removed from the door, only the corners.



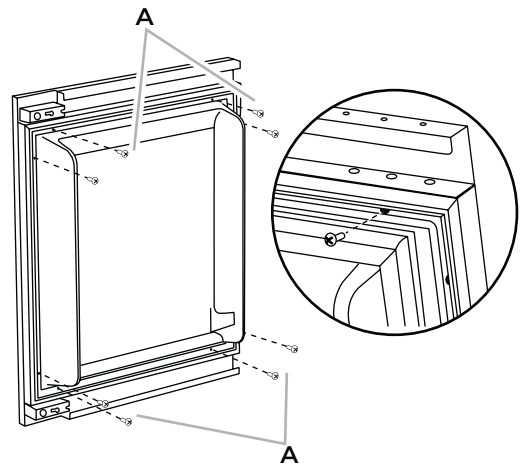
A. Screw holes
B. Gasket

3. Using two people, hold the custom overlay panel against the door. Be sure that the top and bottom hinges fit accurately into the routing on back of the custom wood panel.



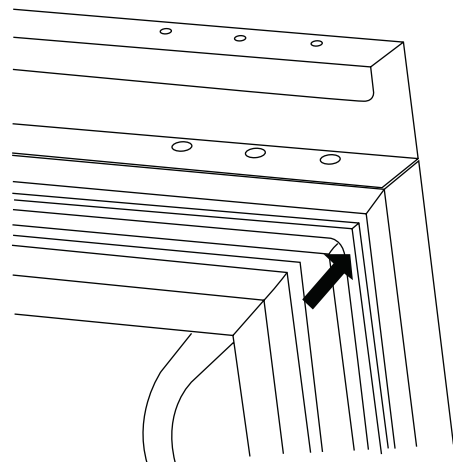
NOTE: Handle needs to be installed before the custom overlay door panel has been installed on the refrigerator door.

4. Fasten the custom panel to the door using two wood screws (provided in installation kit) at each corner.



A. M4 x 30 flathead screws (provided in installation kit)

5. Press the gasket firmly back into its original position.



INSTALLATION AND DOOR CLOSING

Your refrigerator has four leveling legs. If your refrigerator seems unsteady or you want the door to close more easily, adjust the refrigerator's tilt using the instructions below.

⚠ WARNING



Electrical Shock Hazard

Plug into a grounded 3 prong outlet.

Do not remove ground prong.

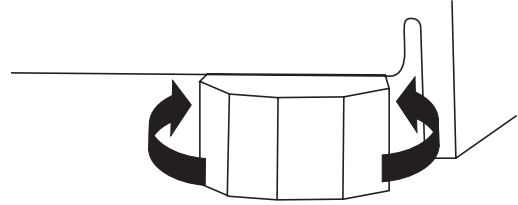
Do not use an adapter.

Do not use an extension cord.

Failure to follow these instructions can result in death, fire, or electrical shock.

1. Plug into a grounded 3 prong outlet.
2. Move the refrigerator into its final location.
3. Turn the leveling legs to the right to lower the refrigerator, or turn the leveling legs to the left to raise it. It may take several turns of the leveling legs to adjust the tilt of the refrigerator.

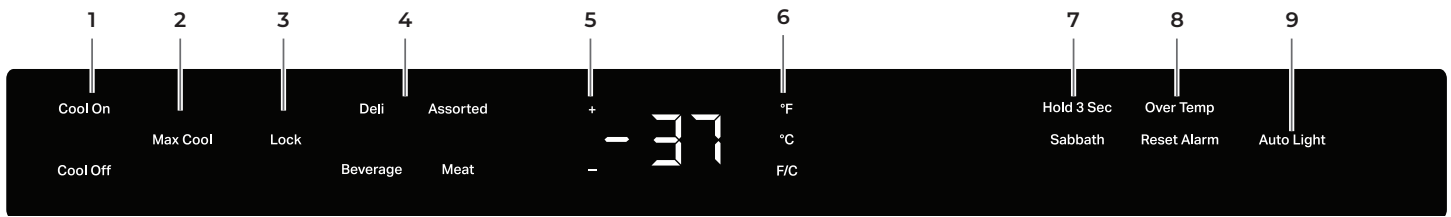
NOTE: Having someone push against the top of the refrigerator takes some weight off the leveling legs. This makes it easier to adjust the leveling legs.



4. Open the door and check that it closes as easily as you like. If not, tilt the refrigerator slightly more to the rear by turning both front leveling screws to the right. It may take several more turns, and you should turn both leveling legs the same amount.

USING REFRIGERATOR

CONTROLS



NOTE:

- The control panel is located at the top of the compartment and facing front.
- The control of the refrigerator has no mechanical parts or buttons. When disconnected, the control panel displays nothing and may be difficult to locate.

1. Turning Control On/Off

The first time that the refrigerator is plugged in, the control will be in Cool Off mode. Cool On and Cool Off will be the only options that display.

Press COOL ON for 3 seconds to turn on the refrigerator. All menus and recommended temperature settings will be displayed.

2. Max Cool

Plummet internal temperatures to their lowest point for 24 hours.

- Press Max Cool to turn on the feature. The feature will activate.
- Press Max Cool to turn off the feature and return to the previous settings.

3. Control Lock

Avoids unintended temperature changes and makes it easy to clean the controls.

- To activate Lock Mode, press and hold LOCK for 3 seconds. After the countdown, all other displays will turn off and become unavailable except Cool On, Cool Off and Lock.

4. Using Presets

For your convenience, your refrigerator also has controls that are preset to recommended storage temperatures for specific products. Pressing any preset option will set the temperature value to recommended temperature for each category:

- Deli: 39°F (3°C)
- Assorted: 37° (2°C)
- Beverage: 34°F (1°C)
- Meat: 32°F (0°C)

5. Adjusting the Temperatures

To adjust set point temperatures, press "+" (plus) or "-" (minus) until the desired temperature setting is reached. The control is set correctly when milk and beverages are as cold as you like it.

NOTE:

- The default recommended temperature for the refrigerator is 37°F (2°C). The set point range for this model is 32°F to 42°F (0°C to 5°C).
- Wait at least 24 hours between adjustments so the refrigerator can acclimate.

6. Viewing Celsius/Fahrenheit Temperatures

Press the F/C touch pad to toggle between displaying the temperature in degrees Fahrenheit and degrees Celsius. The corresponding indicator will illuminate.

7. Sabbath Mode

Allows the door of the refrigerator to be opened or closed on the Sabbath or other religious holidays without directly turning on or off any lights, digital readouts, fans, valves, tones or alarms. By selecting this feature, the temperature set points remain unchanged, but the control panel lights, interior lights, and control audio turn off. For most efficient refrigerator operation, it is recommended to exit the Sabbath Mode when it is no longer required.

- Press and hold SABBATH for 3 seconds to turn on the feature. After the 3-second countdown, the feature will activate and all other displays will turn Off.
- Press and hold SABBATH for 3 seconds to turn off the feature and turn on the display.

8. Over Temp Alarm

Helps avoid food from spoiling by giving an audible and visual alert if the temperature in either zone rises above the preset range for 10 minutes.

The audio alarm will shut off automatically when the temperature returns to normal. To let you know an Over Temperature condition occurred, the indicator light will continue to flash until the Reset Alarm touch pad is pressed. If the over temperature condition is still present when an Over Temp reset is performed, the indicator light will continue to reactivate every 4 hours until the refrigerator temperature is below preset range.

NOTE: These features will not appear on your control unless your refrigerator is above preset range and the alarm requires a reset.

9. Auto Light (Glass Door Models)

The refrigerator has a sensor that will turn on the interior display light automatically when someone walks by. When motion is no longer detected, the interior display light will go off after 2 minutes.

- Press the Auto Light option to activate this feature.
- When the Auto Light is not activated, the interior display light will only turn on when the door is opened.

NOTE:

- Leaving the light on for an extended period of time will slightly increase the temperature of the refrigerator.

10. Door Open Alarm

Helps avoid food from spoiling by giving an audio and visual alert if the door is left open for 10 minutes.

If the door is open longer than 10 minutes, an alarm will sound every 2 minutes until the door is closed or any control is pressed.

11. Showroom Mode

This mode is used only when the refrigerator is on display in a retail store. If you unintentionally turn on Showroom Mode, Cool Off will light up on the display, and the controls will appear to work. Exit Showroom Mode by pressing and holding COOL ON and SABBATH at the same time for 3 seconds.

NORMAL SOUNDS

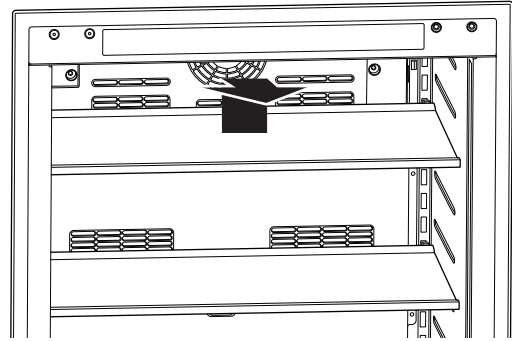
Your new refrigerator may make sounds that your old one didn't make. Because the sounds are new to you, you might be concerned about them. Most of the new sounds are normal. Hard surfaces, such as the flooring and surrounding structures, can make the sounds seem louder. The following describes the kinds of sounds and what may be making them.

- Your refrigerator is designed to run more efficiently to keep your food at the desired temperatures and to minimize energy usage. The high efficiency compressor and fans may cause your refrigerator to run longer than your old one. You may also hear a pulsating or high-pitched sound from the compressor or fans adjusting to optimize performance.
- Rattling noises may come from the flow of refrigerant or items stored inside the refrigerator.
- As each cycle ends, you may hear a gurgling sound due to the refrigerant flowing in your refrigerator.
- You may hear water running into the drain pan when the refrigerator is defrosting.
- You may hear clicking sounds when the refrigerator starts or stops running.

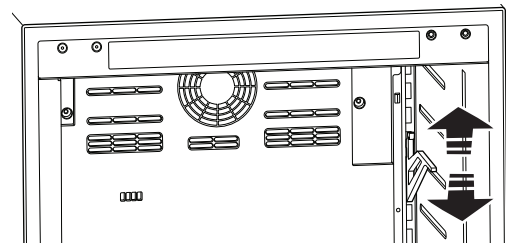
REFRIGERATOR SHELVES

TO REMOVE OR ADJUST UPPER SHELVES:

1. Remove the shelf by lifting it up and out of the shelf brackets.



2. Remove the two shelf brackets and reposition them in the desired location.

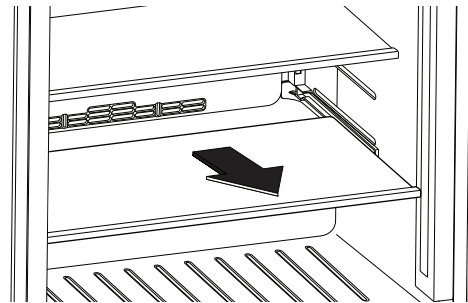


3. Replace the shelf by inserting it into the shelf brackets.

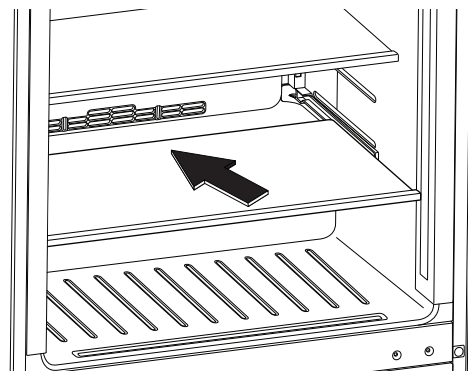
NOTE: Be sure the shelf is level.

TO REMOVE AND REPLACE BOTTOM SHELF:

1. The very bottom glass shelf slides straight out.



2. Replace the shelf by aligning the edges with the guides and pushing it in toward the back of the refrigerator.

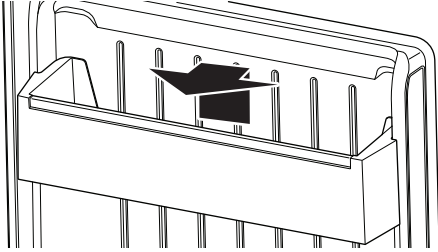


DOOR BINS (SOLID DOOR MODELS)

Your refrigerator has two door bin locations for maximum storage capacity.

TO REMOVE AND REPLACE THE DOOR BINS:

1. Remove the door bin by tilting it forward and pulling it out.
2. Replace the bin by placing the rear of the bin under the support on the door and sliding into place.



LIGHTS

The refrigerator has an interior light that illuminates when the door is opened.

NOTE: The light is an LED which does not need to be replaced. If the LED does not illuminate when the door is opened, call Service. Refer "Assistance" section for contact information.

CARE AND CLEANING

CLEANING

⚠ WARNING



Explosion Hazard

Use nonflammable cleaner.

Failure to do so can result in death, explosion, or fire.

Clean the refrigerator once a month to avoid buildup of odors. Wipe up spills immediately.

TO CLEAN YOUR REFRIGERATOR:

1. Unplug refrigerator or disconnect power.
2. Remove all shelves and bins from inside the refrigerator.
3. Hand wash, rinse, and dry removable parts and interior surfaces thoroughly. Use a clean sponge or soft cloth and a mild detergent in warm water.
 - To avoid damaging wooden tines and trim pieces, wipe them off with a clean sponge or soft cloth and warm water. Do not use detergent or immerse the entire rack into water when cleaning.
 - Do not use abrasive or harsh cleaners such as window sprays, scouring cleansers, flammable fluids, cleaning waxes, concentrated detergents, bleaches or cleansers containing petroleum products on plastic parts, interior and door liners or gaskets. Do not use paper towels, scouring pads, or other harsh cleaning tools. These can scratch or damage materials.
 - To help remove odors, you can wash interior walls with a mixture of warm water and baking soda (2 tbs to 1 qt [26 g to 0.95 L] of water).
4. Wash stainless steel and painted metal exteriors with

a clean sponge or soft cloth and a mild detergent in warm water. Do not use abrasive or harsh cleaners, or cleaners containing chlorine. These can scratch or damage materials. Dry thoroughly with a soft cloth.

NOTE: To keep your stainless steel refrigerator looking like new and to remove minor scuffs or marks, it is recommended that you use the manufacturer's approved Stainless Steel Cleaner and Polish.

IMPORTANT:

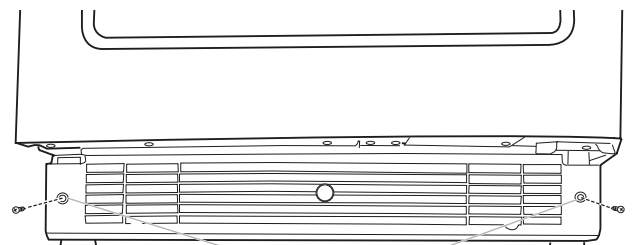
- This cleaner is for stainless steel parts only!
 - Do not allow the Stainless Steel Cleaner and Polish to come into contact with any plastic parts such as the trim pieces, dispenser covers or door gaskets. If unintentional contact does occur, clean plastic part with a sponge and mild detergent in warm water. Dry thoroughly with a soft cloth.
5. Replace the shelves and bins.
 6. Clean the condenser coils regularly. They are located behind the base grille. Coils may need to be cleaned as often as every other month. This may help save energy.
 - Remove the base grille to access condenser for cleaning. Refer "Removing Base Grille" section.

REMOVING BASE GRILLE

You must remove the base grille to access the condenser coils for cleaning.

TO REMOVE THE BASE GRILLE:

1. Open the refrigerator door.



A. Screws

- Using a Phillips screwdriver, remove the two screws.
- Remove the base grille.

TO REPLACE THE BASE GRILLE:

- Open the refrigerator door.
- Position the base grille so that both tabs align and the base grille snaps into place. Replace two screws. Tighten the screws.

VACATION CARE

If you choose to turn the refrigerator off before you leave, follow these steps.

- Remove all food from the refrigerator.
- Unplug the refrigerator.
- Clean the refrigerator. Refer “Cleaning” section.
- Tape a rubber or wood block to the top of the door

to prop it open far enough for air to get in. This stops odor and mold from building up.

MOVING CARE

When you are moving your refrigerator to a new home, follow these steps to prepare it for the move.

- Remove all food from the refrigerator.
- Unplug the refrigerator.
- Clean, wipe, and dry it thoroughly.
- Take out all removable parts, wrap them well, and tape them together so they don't shift and rattle during the move.
- Tape the doors shut and tape the power cord to the refrigerator.


When you get to your new home, put everything back and refer to the “Installation Instructions” section.

TROUBLESHOOTING

Try the solutions suggested here first in order to avoid the cost of an unnecessary service call.

OPERATION

⚠ WARNING



Electrical Shock Hazard

Plug into a grounded 3 prong outlet.

Do not remove ground prong.

Do not use an adapter.

Do not use an extension cord.

Failure to follow these instructions can result in death, fire, or electrical shock.

- **Power supply cord unplugged?** Plug into a grounded 3 prong outlet.
- **Is outlet working?** Plug in a lamp to see if the outlet is working.
- **Household fuse blown, or a circuit breaker tripped?** Replace the fuse or reset the circuit. If the problem continues, call an electrician.
- **Are controls on?** Be sure that the refrigerator controls are on. Refer “Controls” section.

THE MOTOR SEEMS TO RUN TOO MUCH

- **Is the temperature outside hotter than normal?** Expect the motor to run longer under warm conditions. At normal temperatures, expect your motor to run about 40% to 80% of the time. Under warmer conditions, expect it to run even more of the time.
- **Has a large amount of food just been added to the refrigerator?** Adding a large amount of food warms the refrigerator. It is normal for the motor to run longer in order to cool the refrigerator back down.
- **Is the door opened often?** Expect the motor to run

longer when this occurs. In order to conserve energy, try to get everything you need out of the refrigerator at once, keep food organized so it is easy to find, and close the door as soon as the food is removed.

- **Is the control set correctly for the surrounding conditions?** Refer “Controls” section.
- **Is the door closed completely?** Push the door firmly shut. If it will not shut all the way, refer “The door will not close completely” later in this section.
- **Are the condenser coils dirty?** This obstructs air transfer and makes the motor work harder. Clean the condenser coils. Refer “Cleaning” section.

TEMPERATURE AND MOISTURE

TEMPERATURE IS TOO WARM

- **Is the door opened often?** Be aware that the refrigerator will warm up when this occurs. In order to keep the refrigerator cool, try to get everything you need out of the refrigerator at once, keep food organized so it is easy to find, and close the door as soon as the food is removed.
- **Has a large amount of food just been added to the refrigerator?** Adding a large amount of food warms the refrigerator. It can take several hours for the refrigerator to return to the normal temperature.
- **Is the control set correctly for the surrounding conditions?** Refer “Using the Controls.”
- **Is the base grille blocked?** For best performance, do not install the refrigerator behind a cabinet door or block the base grille.

THERE IS INTERIOR MOISTURE BUILDUP

- **Is the door opened often?** To avoid humidity buildup, try to get everything you need out of the refrigerator at once, keep food organized so it is easy to find, and close the door as soon as the food is removed. When the door is opened, humidity from the room air enters the refrigerator. The more often the door is opened, the faster humidity builds up, especially when the room itself is very humid.
- **Is it humid?** It is normal for moisture to build up inside the refrigerator when the air is humid.

- **Is the food packaged correctly?** Check that all food is securely wrapped. Wipe off damp food containers before placing in the refrigerator.
- **Is the control set correctly for the surrounding conditions?** Refer “Controls” section.

DOOR

THE DOOR IS DIFFICULT TO OPEN

⚠ WARNING

Explosion Hazard
Use nonflammable cleaner.
Failure to do so can result in death, explosion, or fire.

- **Is the gasket dirty or sticky?** Clean the gasket and the surface that it touches. Rub a thin coat of paraffin wax on the gasket following cleaning.

THE DOOR WILL NOT CLOSE COMPLETELY

- **Are food packages blocking the door open?** Rearrange containers so that they fit more tightly and take up less space.
- **Are the shelves out of position?** Put the shelves back into their correct positions. Refer “Refrigerator Use” for more information.

⚠ WARNING

Explosion Hazard
Use nonflammable cleaner.
Failure to do so can result in death, explosion, or fire.

- **Is the gasket sticking?** Clean the gasket and the surface that it touches. Rub a thin coat of paraffin wax on the gasket following cleaning.

ASSISTANCE

IF YOU NEED SERVICE

Before calling for assistance or service, please check “Troubleshooting.” It may save you the cost of a service call. If you still need help, follow the instructions below.

When calling, please know the purchase date and the complete model and serial number of your appliance. This information will help us to better respond to your request. Please refer to the warranty page in this manual for more information on service.

IF YOU NEED REPLACEMENT PARTS

Component parts should be replaced with like components and servicing should be done by factory authorized service personnel, so as to minimize the risk of possible ignition due to incorrect parts or improper service.

IN THE U.S.A.

Call the JennAir Customer eXperience Center toll free at **1-800-JENNAIR (1-800-536-6247)**, or visit our website at **www.jennair.com**.

OUR CONSULTANTS PROVIDE ASSISTANCE WITH:

- Features and specifications on our full line of appliances.
- Installation information.
- Use and maintenance procedures.
- Accessory and repair parts sales.
- Specialized customer assistance (Spanish speaking, hearing impaired, limited vision, etc.).
- Referrals to local dealers, repair parts distributors, and service companies. JennAir designated service technicians are trained to fulfill the product warranty and provide after warranty service, anywhere in the United States.

To locate the JennAir designated service company in your area, you can also look in your telephone directory Yellow Pages.

FOR FURTHER ASSISTANCE

If you need further assistance, you can write to JennAir with any questions or concerns at:

JennAir Brand Home Appliances
Customer eXperience Center
553 Benson Road
Benton Harbor, MI 49022-2692

Please include a daytime phone number in your correspondence.

IN CANADA

Call the JennAir Canada Customer eXperience Centre toll free: **1-800-JENNAIR (1-800-536-6247)**.

OUR CONSULTANTS PROVIDE ASSISTANCE WITH:

- Features and specifications on our full line of appliances.
- Use and maintenance procedures.
- Accessory and repair parts sales.
- Referrals to local dealers, repair parts distributors, and services companies. JennAir Canada designated service technicians are trained to fulfill the product warranty and provide after-warranty service, anywhere in Canada.

FOR FURTHER ASSISTANCE

If you need further assistance, you can write to JennAir Canada with any questions or concerns at:

JennAir Canada
Customer eXperience Centre
200 – 6750 Century Ave.
Mississauga, Ontario L5N 0B7

Please include a daytime phone number in your correspondence.

JENNAIR® REFRIGERATION LIMITED WARRANTY

ATTACH YOUR RECEIPT HERE. PROOF OF PURCHASE IS REQUIRED TO OBTAIN WARRANTY SERVICE.

Please have the following information available when you call the Customer eXperience Center:

- ❑ Name, address, and telephone number
- ❑ Model number and serial number
- ❑ A clear, detailed description of the problem
- ❑ Proof of purchase including dealer or retailer name and address

IF YOU NEED SERVICE:

1. Before contacting us to arrange service, please determine whether your product requires repair. Some questions can be addressed without service. Please take a few minutes to review the Troubleshooting section of the Use and Care Guide or visit producthelp.jennair.com.
2. All warranty service is provided exclusively by our authorized JennAir Service Providers. In the U.S. and Canada, direct all requests for warranty service to:

**JennAir Customer eXperience Center
1-800-JENNAIR (1-800-536-6247).**

If outside the 50 United States or Canada, contact your authorized JennAir dealer to determine whether another warranty applies.

TEN YEAR LIMITED WARRANTY

WHAT IS COVERED

TWO YEAR LIMITED WARRANTY (PARTS AND LABOR)

For two years from the date of purchase, when this major appliance is installed, operated and maintained according to instructions attached to or furnished with the product, JennAir brand of Whirlpool Corporation or Whirlpool Canada LP (hereafter "JennAir") will pay for Factory Specified Replacement Parts and repair labor to correct defects in materials or workmanship that existed when this major appliance was purchased, or at its sole discretion replace the product. In the event of product replacement, your appliance will be warranted for the remaining term of the original unit's warranty period.

THIRD THROUGH FIFTH YEAR LIMITED WARRANTY (SEALED REFRIGERATION SYSTEM PARTS ONLY – LABOR NOT INCLUDED)

In the third through fifth years from the date of purchase, when this major appliance is installed, operated and maintained according to the instructions attached to or furnished with the product, JennAir brand will pay for factory specified replacement parts and repair labor for the following components to correct non-cosmetic defects in materials and workmanship in this part that prevent function of the refrigerator and that existed when this major appliance was purchased:

- ❑ Refrigerator/freezer cavity liner if the part cracks due to defective materials or workmanship.
- ❑ Sealed Refrigeration system (includes compressor, evaporator, condenser, dryer and connecting tubing).

SIXTH THROUGH TENTH YEAR LIMITED WARRANTY (SEALED REFRIGERATION SYSTEM ONLY - LABOR NOT INCLUDED)

In the sixth through tenth year from the date of purchase, when this major appliance is installed, operated and maintained according to instructions attached to or furnished with the product, JennAir brand will pay for factory specified replacement parts for the following components to correct defects in materials or workmanship in the sealed refrigeration system (includes compressor, evaporator, condenser, dryer and connecting tubing) that existed when this major appliance was purchased.

YOUR SOLE AND EXCLUSIVE REMEDY UNDER THIS LIMITED WARRANTY SHALL BE PRODUCT REPAIR AS PROVIDED HEREIN. Service must be provided by a JennAir designated service company. This limited warranty is valid only in the United States or Canada and applies only when the major appliance is used in the country in which it was purchased. This limited warranty is effective from the date of original consumer purchase. Proof of original purchase date is required to obtain service under this limited warranty.

WHAT IS NOT COVERED

1. Commercial, non-residential or multiple-family use, or use inconsistent with published user, operator or installation instructions.
2. In-home Instruction on how to use your product.
3. Service to correct improper product maintenance or installation, installation not in accordance with electrical or plumbing codes or correction of household electrical or plumbing (i.e. house wiring, fuses or water inlet hoses).
4. Consumable parts (i.e. light bulbs, batteries, air or water filters, preservation solutions, etc.).
5. Defects or damage caused by the use of non-genuine JennAir parts or accessories.
6. Damage from accident, misuse, abuse, fire, floods, acts of God or use with products not approved by JennAir.
7. Repairs to parts or systems to correct product damage or defects caused by unauthorized service, alteration or modification of the appliance.
8. Cosmetic damage including scratches, dents, chips, and other damage to appliance finishes unless such damage results from defects in materials and workmanship and is reported to JennAir within 30 days.
9. Discoloration, rust or oxidation of surfaces resulting from caustic or corrosive environments including but not limited to high salt concentrations, high moisture or humidity or exposure to chemicals.
10. Food or medicine loss due to product failure.
11. Pick-up or delivery. This product is intended for in-home repair.
12. Travel or transportation expenses for service in remote locations where an authorized JennAir servicer is not available.
13. Removal or reinstallation of inaccessible appliances or built-in fixtures (i.e. trim, decorative panels, flooring, cabinetry, islands, countertops, drywall, etc.) that interfere with servicing, removal or replacement of the product.
14. Service or parts for appliances with original model/serial numbers removed, altered or not easily determined.

The cost of repair or replacement under these excluded circumstances shall be borne by the customer.

DISCLAIMER OF IMPLIED WARRANTIES

IMPLIED WARRANTIES, INCLUDING ANY IMPLIED WARRANTY OF MERCHANTABILITY OR IMPLIED WARRANTY OF FITNESS FOR A PARTICULAR PURPOSE, ARE LIMITED TO ONE YEAR OR THE SHORTEST PERIOD ALLOWED BY LAW. Some states and provinces do not allow limitations on the duration of implied warranties of merchantability or fitness, so this limitation may not apply to you. This warranty gives you specific legal rights, and you also may have other rights that vary from state to state or province to province.

DISCLAIMER OF REPRESENTATIONS OUTSIDE OF WARRANTY

JennAir makes no representations about the quality, durability, or need for service or repair of this major appliance other than the representations contained in this warranty. If you want a longer or more comprehensive warranty than the limited warranty that comes with this major appliance, you should ask JennAir or your retailer about buying an extended warranty.

LIMITATION OF REMEDIES: EXCLUSION OF INCIDENTAL AND CONSEQUENTIAL DAMAGES

YOUR SOLE AND EXCLUSIVE REMEDY UNDER THIS LIMITED WARRANTY SHALL BE PRODUCT REPAIR AS PROVIDED HEREIN. JENNAIR SHALL NOT BE LIABLE FOR INCIDENTAL OR CONSEQUENTIAL DAMAGES. Some states and provinces do not allow the exclusion or limitation of incidental or consequential damages, so these limitations and exclusions may not apply to you. This warranty gives you specific legal rights, and you also may have other rights that vary from state to state or province to province.

INTRODUCTION

SÉCURITÉ

Votre sécurité et celle des autres est très importante.

Nous donnons de nombreux messages de sécurité importants dans ce manuel et sur votre appareil ménager. Assurez-vous de toujours lire tous les messages de sécurité et de vous y conformer.



Voici le symbole d'alerte de sécurité.

Ce symbole d'alerte de sécurité vous signale les dangers potentiels de décès et de blessures graves à vous et à d'autres.

Tous les messages de sécurité suivront le symbole d'alerte de sécurité et le mot "DANGER" ou "AVERTISSEMENT". Ces mots signifient :

⚠ DANGER

Risque possible de décès ou de blessure grave si vous ne suivez pas immédiatement les instructions.

⚠ AVERTISSEMENT

Risque possible de décès ou de blessure grave si vous ne suivez pas les instructions.

Tous les messages de sécurité vous diront quel est le danger potentiel et vous disent comment réduire le risque de blessure et ce qui peut se produire en cas de non-respect des instructions.

IMPORTANTES INSTRUCTIONS DE SÉCURITÉ

AVERTISSEMENT : Pour réduire les risques d'incendie, de choc électrique ou de blessures lors de l'utilisation du réfrigérateur, prendre quelques précautions fondamentales, y compris les suivantes :

- Brancher sur une prise de courant à 3 alvéoles, reliée à la terre.
- Ne pas enlever la prise de liaison à la terre.
- Ne pas utiliser d'adaptateur.
- Ne pas utiliser de rallonge.
- Déconnecter la source de courant électrique avant l'entretien.
- Replacer pièces et panneaux avant de faire la mise en marche.
- Enlever les portes de votre ancien réfrigérateur.
- Utiliser un produit de nettoyage ininflammable.
- Ne pas utiliser ou conserver d'essence ni de liquides ou gaz inflammables à proximité de cet ou d'autres appareils électriques. Les fumées peuvent causer des incendies ou des explosions.
- Ne pas conserver de substances explosives, par exemple des bombes aérosols contenant un agent propulseur, dans ce réfrigérateur.
- Ne pas utiliser ni placer dans les compartiments du réfrigérateur des dispositifs électriques d'un type autre que celui expressément autorisé par le fabricant.
- Utiliser deux ou plus de personnes pour déplacer et installer le réfrigérateur.
- Cet appareil ne convient pas à une utilisation par des personnes (y compris des enfants) à capacités physiques, sensorielles ou mentales réduites, ou possédant un manque d'expérience et de connaissances, à moins qu'elles ne soient placées sous supervision ou qu'elles aient reçu des instructions concernant l'utilisation de l'appareil par une personne responsable de leur sécurité.
- Les enfants doivent être placés sous surveillance afin de s'assurer qu'ils ne jouent pas avec l'appareil.
- Pour éviter le risque que des enfants restent enfermés à l'intérieur et s'asphyxient, ne pas les laisser jouer ou se cacher dans le réfrigérateur.
- Si le cordon d'alimentation est endommagé, il doit être remplacé par le fabricant ou son technicien d'entretien ou une personne présentant une qualification similaire.
- Les prises d'air de l'enceinte de l'appareil ou de la structure encastré doivent être dégagées en tout temps.
- Ne pas utiliser d'appareils mécaniques ou autres moyens pour accélérer le dégivrage que ceux recommandés par le fabricant.
- Ne pas endommager le circuit frigorigène.

CONSERVER CES INSTRUCTIONS

MISE AU REBUT DU VIEUX RÉFRIGÉRATEUR

AVERTISSEMENT

Risque de suffoquer

Enlever les portes de votre vieux réfrigérateur.

Le non-respect de cette instruction peut causer un décès ou des lésions cérébrales.

IMPORTANT : Le risque qu'un enfant puisse se retrouver coincé et suffoquer n'est pas chose du passé. Les réfrigérateurs jetés ou abandonnés restent dangereux, même s'ils ne restent à l'extérieur que pour « quelques jours seulement ». Si l'ancien réfrigérateur doit être mis au rebut, suivre les instructions suivantes afin d'éviter les accidents.

Avant de jeter votre vieux réfrigérateur :

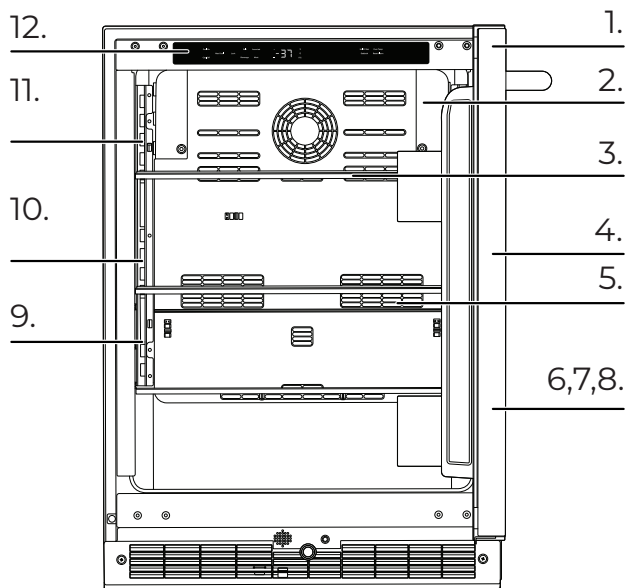
- Enlever la porte.
- Laisser le porte-bouteilles en place de sorte que les enfants ne puissent pas y pénétrer facilement.



Renseignements importants à propos de la mise au rebut des fluides réfrigérants :

Mettre le réfrigérateur au rebut conformément à la réglementation fédérale et locale. Les fluides réfrigérants doivent être évacués par un technicien certifié et agréé par l'EPA conformément aux procédures établies.

CARACTÉRISTIQUES



1. Conception encastrée discrète avec porte à fermeture douce

Créer une silhouette ininterrompue. Enveloppe discrète de 1/8 po sur chaque côté, sans charnières ni garnitures exposées. Porte à fermeture silencieuse, douce, sécurisée. Une charnière articulée ouvre discrètement la porte et la ferme doucement.

2. Intérieure obsidienne audacieuse

Inspiré du verre volcanique, cette finition sombre éclate avec un style réfléchissant et contrasté. Laisser l'objet de son désir émerger comme un art vibrant, implorant d'être consommé.

3. Tablettes en verre

Regarder à travers des plates-formes de verre enveloppées dans des cadres de tablettes inflexibles.

4. Verre protégé contre les rayons ultraviolets à faible émissivité

Supporte ce qui rassasie. Le verre à double vitrage aide à filtrer la lumière ultraviolette et à rejeter les variations de température afin de conserver les parfums les plus délicats pour votre fin palais.

5. Éclairage DEL

Les lumières DEL s'activent instinctivement, chassant les ombres pour révéler des détails saisissants.

6. Expression esthétique RISE™

Adoptez une ère de proportions qui attirent l'œil. Une armure en acier inoxydable brille d'effets lumineux spectaculaires. C'est la force – inextricable de la beauté. Forcée par le feu du progrès, l'expression esthétique RISE™ domine les conceptions stagnantes et sans inspiration qui ont hérité d'un statut non mérité.

7. Expression esthétique NOIR™

Perdez-vous dans un monde qui est à vous seul. Des silhouettes nettes craquent avec la mystique; des réflexions séduisantes apparaissent et disparaissent. Avec son allure incessante et son appel minimaliste, l'expression esthétique NOIR™ rejette les idéaux de beauté obsolètes.

8. Installation du panneau personnalisé

Prenez la clé des champs avec des panneaux personnalisés qui permettent une expression sans vergogne. Les panneaux et poignées personnalisés doivent être achetés séparément.

9. Alarme de porte ouverte

Aide à éviter que les aliments ne se gâtent en faisant retentir une alerte sonore et visuelle si la porte reste ouverte pendant 10 minutes.

10. Option d'éclairage de l'affichage

Possède des DEL éconergiques qui permettent de bien voir sans causer de chaleur excessive qui peut influencer la température interne.

11. Acoustique silencieuse

Notre compresseur interne garde vos boissons impeccablement fraîches tout en fonctionnant discrètement à l'arrière-plan. Le génie n'a pas à s'annoncer. C'est comme ça. C'est tout.

12. Contrôles émotifs

Laissez votre regard vaciller sur chaque zone. Laissez votre touche guidée par la lumière faire ressortir les saveurs des boissons, des spiritueux et au-delà.

EXIGENCES D'INSTALLATION

OUTILS ET PIÈCES

Rassembler les outils et pièces nécessaires avant d'entreprendre l'installation

OUTILS ET PIÈCES NÉCESSAIRES :

- Tournevis à tête cruciforme
- Panneau de porte décoratif personnalisé – voir la section « Dimensions du panneau décoratif personnalisé ».
- Poignée personnalisée et matériel de fixation (facultatif)

PIÈCES FOURNIES :

- 8 vis fraisées de M4 x 30

EXIGENCES D'EMPLACEMENT

⚠ AVERTISSEMENT



Risque d'explosion

Garder les matériaux et les vapeurs inflammables, telle que l'essence, loin du réfrigérateur.

Le non-respect de cette instruction peut causer un décès, une explosion ou un incendie.

IMPORTANT : Cet appareil est destiné à un usage domestique et à d'autres usages similaires comme :

- espace de cuisine pour personnel de boutiques, bureaux et autres environnements professionnels;
- résidences fermières et utilisation par les clients d'hôtels, de motels et d'autres types de résidences;
- environnements de type chambres d'hôtes;
- banquets et autres utilisations non commerciales semblables.

REMARQUES :

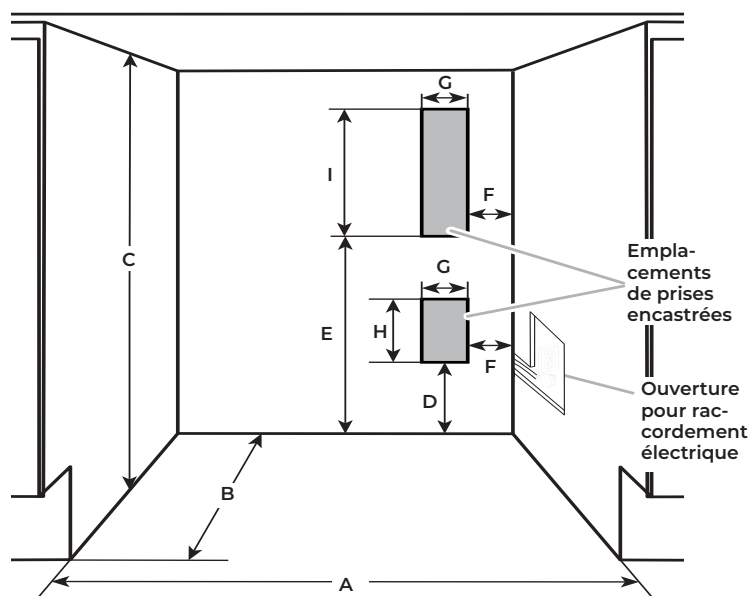
- Pour que le réfrigérateur soit en affleurement avec la façade des armoires inférieures, retirer toutes les moulures ou plinthes de l'arrière de l'ouverture. Consulter la section « Dimensions du produit » et plus loin dans cette section « Dimensions de l'ouverture ».
- Il est conseillé de ne pas installer le réfrigérateur près d'un four, d'un radiateur ou de toute autre source de chaleur.
- Ne pas installer l'appareil dans un endroit où la température pourrait descendre sous 55 °F (13 °C). Pour obtenir le meilleur rendement, ne pas installer le réfrigérateur derrière une porte d'armoire ni obstruer la grille de la base.

DIMENSIONS DE L'OUVERTURE

- Les dimensions de hauteur indiquées correspondent à la configuration selon laquelle les pieds de nivellement sont déployés à la hauteur minimale.

REMARQUE : Lorsque les pieds de nivellement sont complètement déployés, ajouter 5/8 po (15 mm) aux dimensions de hauteur. Consulter la section « Dimensions du produit ».

- Si le plancher de l'ouverture n'est pas au même niveau que le plancher de la cuisine, installer des cales pour établir un niveau uniforme avec le plancher de la cuisine.



Dimensions de l'ouverture et de l'emplacement pour raccordement électrique

Largeur de l'ouverture – A	24 po (60,96 cm) min.
Profondeur de l'ouverture – B	24 po (60,96 cm) min.
Hauteur de l'ouverture – C	34 ½ po (87,6 cm) min. 35 po (88,9 cm) max.
Dimension – D	12 ½ po (30,64 cm)
Dimension – E	21 ¾ po (55,16 cm)
Dimension – F	1 ¾ po (4,44 cm)
Dimension – G	3 po (7,55 cm)
Dimension – H	4 ½ po (11,37 cm)
Dimension – I	9 ¼ po (23,47 cm)

Pour une installation en affleurement, la prise de courant peut être installée dans des armoires adjacentes avec une découpe du côté du cordon d'alimentation pour l'acheminement du cordon d'alimentation.

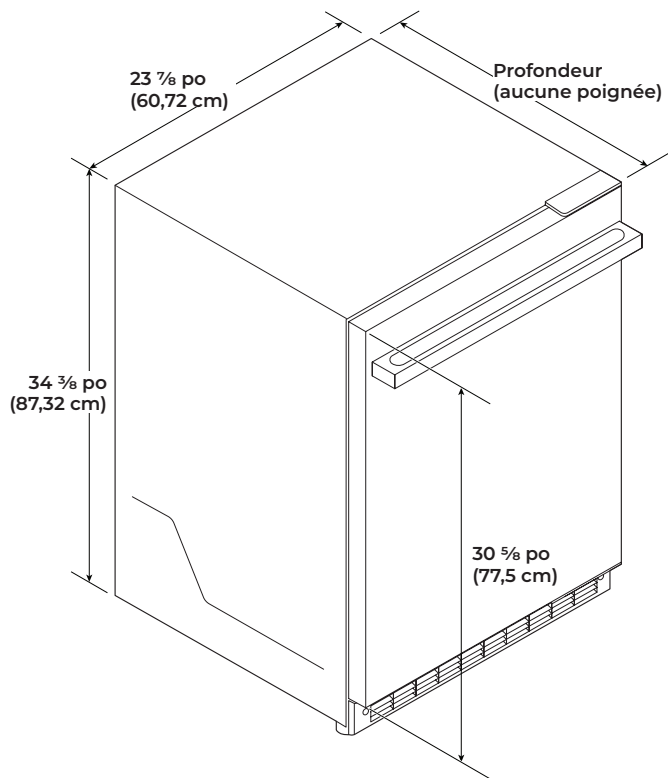
La prise de courant peut également être encastrée sur le mur arrière derrière l'appareil, conformément aux emplacements recommandés pour les prises dans l'illustration ci-dessus.

DIMENSIONS DU PRODUIT

PRODUIT ENTIER

Largeur (jusqu'au cache-charnière)	23 7/8 po (60,72 cm)
Hauteur (jusqu'au cache-charnière)	34 3/8 po (87,32 cm)
Modèles avec porte en verre (NOIR™) profondeur (sans poignée)	23 3/4 po (60,36 cm)
Modèles avec porte en verre (RISE™) profondeur (sans poignée)	23 5/8 po (60 cm)
Modèles avec porte pleine (NOIR™/RISE™)	23 5/8 po (60 cm)
Profondeur des modèles compatibles avec les panneaux (avec panneau de 3/4 po et sans poignée)	23 13/16 po (60,5 cm)
Hauteur de porte brute	30 5/8 po (77,75 cm)

REMARQUE : La longueur du cordon d'alimentation est de 60 po (152,4 cm).



PANNEAU DÉCORATIF PERSONNALISÉ

REMARQUE : Pour les modèles standards en acier inoxydable ou avec porte en verre, passer ces instructions et commencer directement à la section « Spécifications électriques ».

Pour l'installation d'un panneau décoratif personnalisé, l'installateur devra fabriquer lui-même le panneau ou consulter un ébéniste ou menuisier qualifié. Consulter le dessin des dimensions pour les spécifications du panneau.

IMPORTANT :

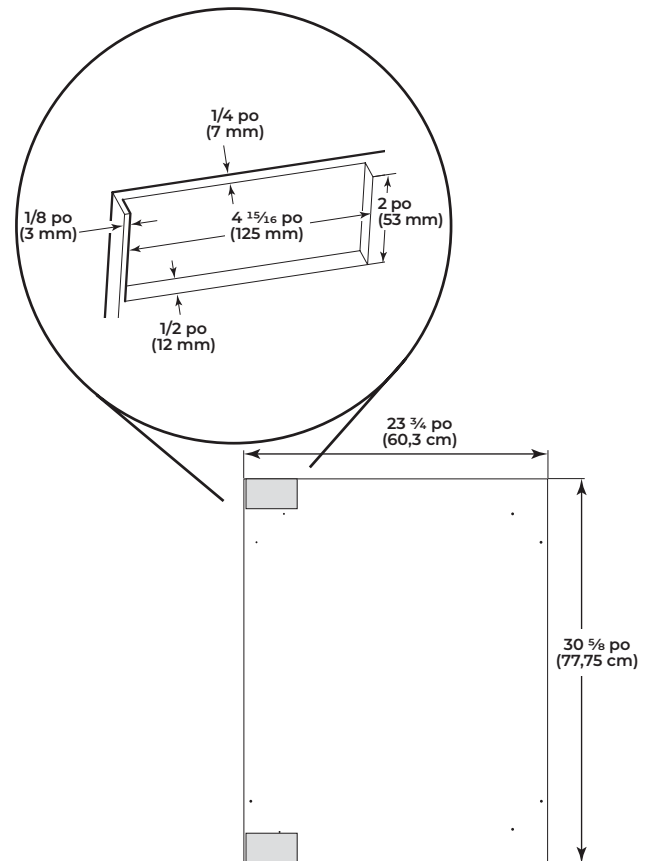
- L'épaisseur du panneau décoratif doit être de 3/4 po (19 mm).
- Le poids du panneau décoratif plein personnalisé ne doit pas dépasser 20 lb (9,07 kg).

- Le poids du panneau décoratif plein personnalisé ne doit pas dépasser 10 lb (4,54 kg).
- Un panneau décoratif pesant plus que la limite recommandée risque d'endommager l'appareil.

PANNEAU DÉCORATIF PLEIN PERSONNALISÉ - PRÉPARATION

Fabriquer le panneau décoratif personnalisé en utilisant les dimensions indiquées dans l'illustration « dimensions du panneau décoratif plein personnalisé et position des charnières ». Les zones foncées doivent être creusées de 1/2 po (12 mm) comme indiqué.

IMPORTANT : L'illustration suivante présente un panneau personnalisé pour une porte dont les charnières sont installées du côté droit. Si les charnières de votre réfrigérateur sont installées du côté gauche, faire tourner le cadre personnalisé de 180° pour que les marques de charnière se retrouvent du côté gauche.

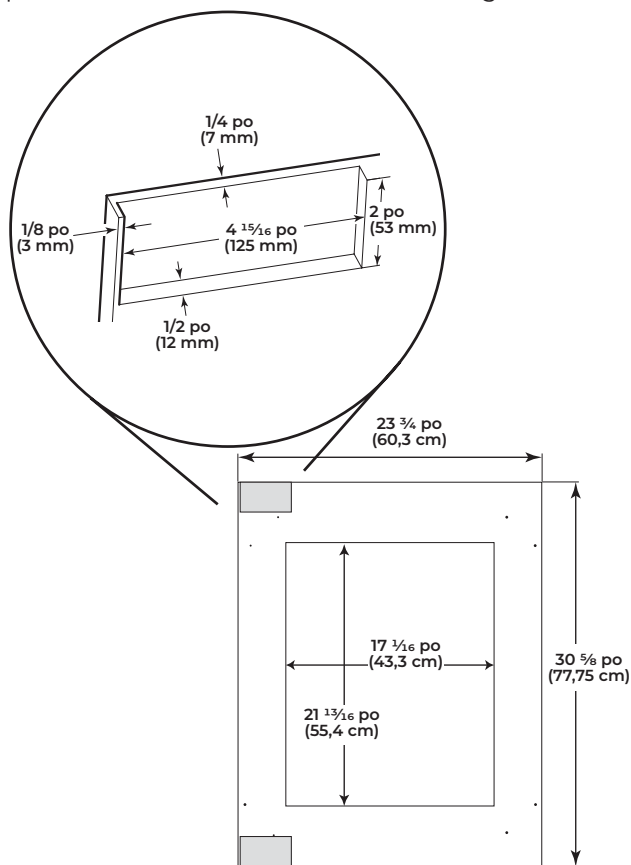


Dimensions du panneau décoratif plein personnalisé et position des charnières

PANNEAU DÉCORATIF EN VERRE PERSONNALISÉ – PRÉPARATION

Fabriquer le panneau décoratif personnalisé en utilisant les dimensions indiquées dans l'illustration « dimensions du panneau décoratif en verre personnalisé et position des charnières ». Les zones foncées doivent être creusées de 1/2 po (12 mm) comme indiqué.

IMPORTANT : L'illustration suivante présente un panneau personnalisé pour une porte dont les charnières sont installées du côté droit. Si les charnières de votre réfrigérateur sont installées du côté gauche, faire tourner le cadre personnalisé de 180° pour que les marques de charnière se retrouvent du côté gauche.



Dimensions du panneau décoratif en verre personnalisé et position des charnières

POIGNÉE (FACULTATIF)

Des poignées personnalisées sont habituellement fixées seulement sur le panneau de porte personnalisé.

Consulter les instructions reçues avec la trousse de poignée RISE™ et NOIR™ de JennAir pour installer ces poignées sur les panneaux de bois personnalisés.

Les poignées personnalisées doivent être installées sur le panneau de porte à l'aide de trous fraisés, avant d'installer le panneau sur la porte du réfrigérateur.

SPÉCIFICATIONS ÉLECTRIQUES

AVERTISSEMENT



Risque de choc électrique

Brancher sur une prise à 3 alvéoles reliée à la terre.

Ne pas enlever la broche de liaison à la terre.

Ne pas utiliser un adaptateur.

Ne pas utiliser un câble de rallonge.

Le non-respect de ces instructions peut causer un décès, un incendie ou un choc électrique.

Avant de placer le réfrigérateur à son emplacement final, il est important de s'assurer d'avoir le raccordement électrique approprié.

MÉTHODE RECOMMANDÉE DE MISE À LA TERRE

Chaque appareil doit être alimenté par un circuit à 115 V CA à 60 Hz relié à la terre et protégé par un fusible de 15 A ou 20 A. Il est recommandé d'utiliser un circuit distinct pour alimenter le réfrigérateur uniquement. Utiliser une prise de courant dont l'alimentation ne peut pas être interrompue par un interrupteur. Ne pas utiliser de rallonge.

REMARQUE : Avant d'exécuter tout type d'installation, de nettoyage ou de remplacement d'ampoule d'éclairage, débrancher le réfrigérateur ou déconnecter la source de courant électrique.

INSTRUCTIONS D'INSTALLATION

DÉBALLAGE DU RÉFRIGÉRATEUR

AVERTISSEMENT

Risque du poids excessif

Utiliser deux ou plus de personnes pour déplacer et installer le réfrigérateur.

Le non-respect de cette instruction peut causer une blessure au dos ou d'autre blessure.

Avant d'utiliser le réfrigérateur, tous les matériaux d'emballage doivent être enlevés et l'intérieur doit être nettoyé.

- Enlever tout résidu de ruban adhésif et de colle des surfaces du réfrigérateur avant de le mettre en marche. Frotter une petite quantité de savon à vaisselle liquide avec ses doigts sur tout adhésif et essuyer avec de l'eau chaude pour enlever.
- Ne pas utiliser d'instruments coupants, d'alcool à friction, de liquides inflammables ou de nettoyants abrasifs pour enlever le ruban adhésif ou la colle. Ces produits peuvent endommager les surfaces du réfrigérateur. Pour plus de renseignements, consulter la section « Sécurité du réfrigérateur ».

- Jeter ou recycler tous les matériaux d'emballage.
- Une fois que tous les matériaux d'emballage ont été retirés, nettoyer l'intérieur de votre réfrigérateur. Consulter les instructions de nettoyage dans la section « Nettoyage ».

Importants renseignements à savoir au sujet des tablettes et des couvercles en verre :

Ne pas nettoyer les tablettes ou couvercles en verre avec de l'eau tiède quand ils sont froids. Les tablettes et les couvercles peuvent se briser s'ils sont exposés à des changements soudains de température ou à un impact tel que coup brusque. Le verre trempé est conçu pour éclater en d'innombrables pièces minuscules. Ceci est normal. Les tablettes et les couvercles en verre sont lourds. Les saisir à deux mains lors de leur dépose afin d'éviter de les faire tomber.

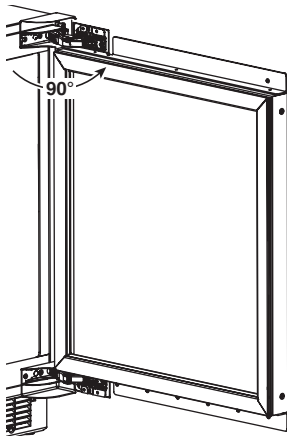
REMARQUE : Pour les modèles standards en acier inoxydable ou avec porte en verre, passer la section « Fermeture de la porte ».

INSTALLATION DU PANNEAU PERSONNALISÉ

IMPORTANT :

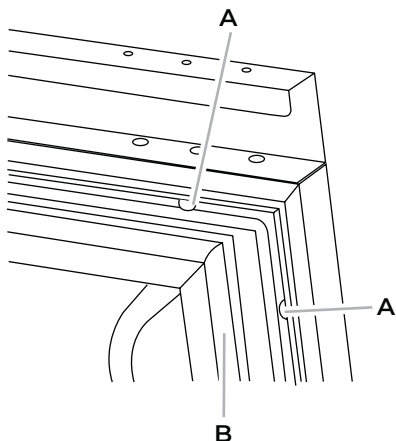
- Réaliser le panneau décoratif personnalisé selon les spécifications de la section « Panneau décoratif personnalisé ».
- JennAir n'est pas responsable des opérations d'enlèvement et de réinstallation des moulures ou panneaux décoratifs qui entraveraient l'accès au réfrigérateur lors d'une intervention de réparation.

1. Ouvrir complètement la porte à 90°.



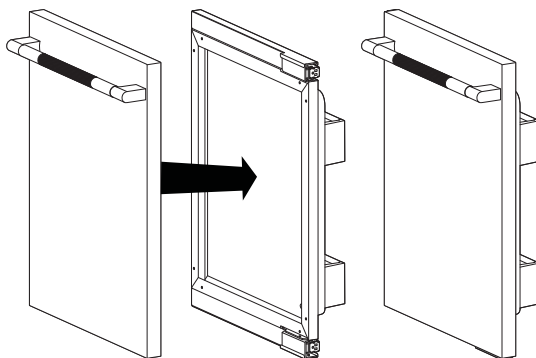
2. Retirer le joint d'étanchéité des coins de la porte en tirant doucement jusqu'à ce que les deux trous vis dans chaque coin de la porte soient visibles.

REMARQUE : Le joint d'étanchéité n'a pas besoin d'être enlevé de la porte, seulement les coins.



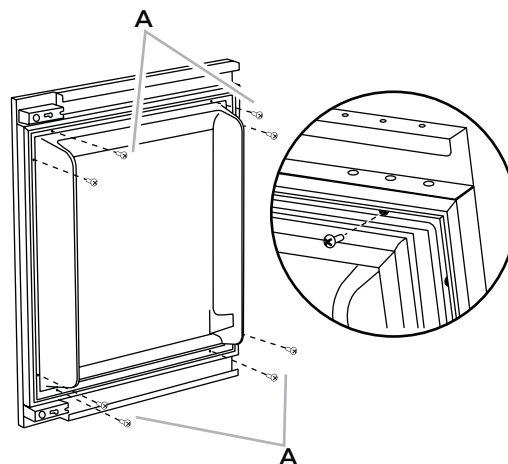
A. Trous de vis
B. Joint d'étanchéité

3. À deux personnes, maintenir le panneau personnalisé contre la porte. S'assurer que les charnières du haut et du bas s'insèrent parfaitement dans les fentes au dos du panneau personnalisé.



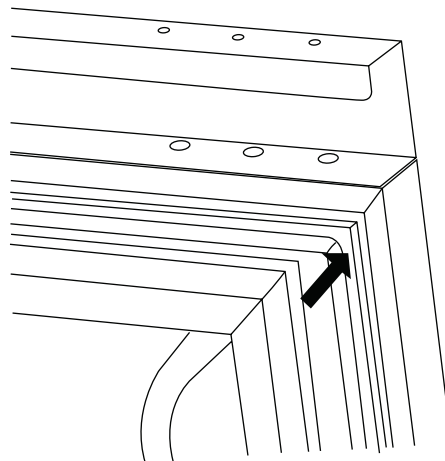
REMARQUE : Les poignées doivent être installées sur le panneau de porte avant d'installer ce dernier sur la porte du réfrigérateur.

4. Fixer le panneau personnalisé sur la porte à l'aide de deux vis de bois (fournies dans l'ensemble d'installation) à chaque coin.



A. Vis à tête fraisée M4 x 30 (incluses dans la trousse d'installation)

5. Appuyer fermement sur le joint pour le remettre à sa place.



INSTALLATION ET FERMETURE DE LA PORTE

Le réfrigérateur dispose de quatre pieds de nivellement. Si votre réfrigérateur semble instable ou si on souhaite que la porte se ferme plus facilement, ajuster l'inclinaison du réfrigérateur en observant les instructions suivantes.

AVERTISSEMENT



Risque de choc électrique

Brancher sur une prise à 3 alvéoles reliée à la terre.

Ne pas enlever la broche de liaison à la terre.

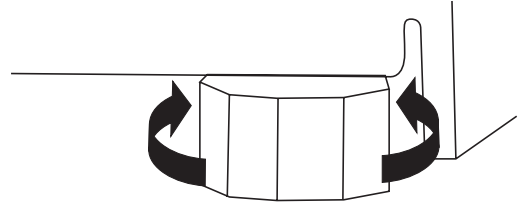
Ne pas utiliser un adaptateur.

Ne pas utiliser un câble de rallonge.

Le non-respect de ces instructions peut causer un décès, un incendie ou un choc électrique.

1. Brancher l'appareil sur une prise à 3 alvéoles reliée à la terre.
2. Déplacer le réfrigérateur à sa position finale.
3. Tourner les pieds de nivellement vers la droite pour abaisser le réfrigérateur ou tourner les pieds de nivellement vers la gauche pour le lever. Il peut être nécessaire de tourner les pieds de nivellement plusieurs fois pour ajuster l'inclinaison du réfrigérateur.

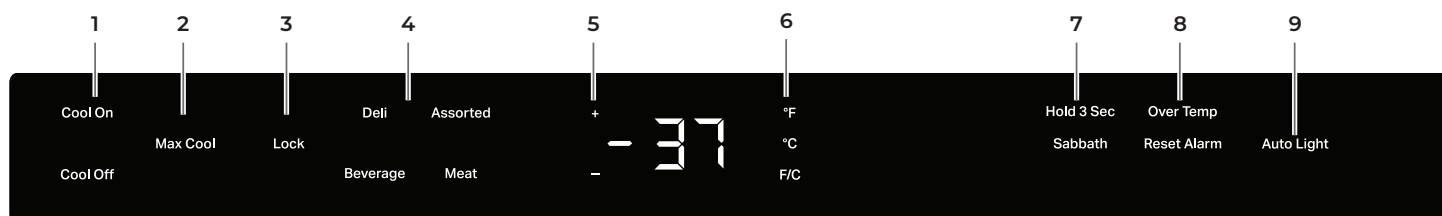
REMARQUE : Si une autre personne pousse le haut du réfrigérateur, le poids devient moins lourd sur les pieds de nivellement. Ceci rend plus facile l'ajustement des pieds de nivellement.



4. Ouvrir la porte et s'assurer qu'elle ferme comme vous le désirez. Sinon, incliner le réfrigérateur un peu plus vers l'arrière en tournant les deux vis de nivellement avant vers la droite. Plusieurs tours peuvent être nécessaires et il convient de tourner les deux vis de réglage de l'aplomb de façon égale.

UTILISATION DU RÉFRIGÉRATEUR

COMMANDES



REMARQUE :

- Le tableau de commande se trouve dans la partie supérieure et fait face vers l'avant.
- La commande du réfrigérateur ne comporte aucune pièce ou aucun bouton mécaniques. Lorsqu'elle est déconnectée, la commande n'affiche rien et peut être difficile à repérer.

1. Mise en marche/arrêt de la commande

La première fois que le réfrigérateur est branché, la commande est réglée en mode Cool Off (refroidissement désactivé). Cool On (refroidissement activé) et Cool Off (refroidissement désactivé) sont les seules options affichées.

Appuyer sur COOL ON (refroidissement activé) pendant 3 secondes pour mettre en marche le réfrigérateur. Tous les menus et les réglages de température recommandés s'affichent.

2. Max Cool (refroidissement maximal)

Plonge la température interne à son point le plus bas pendant 24 heures.

- Appuyer sur Max Cool (refroidissement maximal) pour activer la caractéristique. La caractéristique sera activée.
- Appuyer sur Max Cool (refroidissement maximal) pour désactiver la caractéristique et revenir aux réglages précédents.

3. Control Lock (verrouillage des commandes)

Évite les changements de température inattendus et facilite le nettoyage des commandes.

- Pour activer le mode de verrouillage, appuyer sur LOCK (verrouillage) pendant 3 secondes. Après le compte à rebours, tous les autres affichages s'éteignent et deviennent indisponibles sauf Cool On (refroidissement activé), Cool Off (refroidissement désactivé) et Lock (verrouillage).

4. Utilisation des pré-réglages

Pour votre commodité, le réfrigérateur est également équipé de commandes pré-réglées à des températures d'entreposage recommandées pour des produits spécifiques. En appuyant sur une option de pré-réglage, la température sera réglée au niveau recommandé pour chaque catégorie de produits :

- Deli (Produits de spécialité) : 39 °F (3 °C)
- Assorted (Assortiment) : 37° (2 °C)
- Beverage (Boisson) : 34 °F (1 °C)
- Meat (Viande) : 32 °F (0 °C)

5. Réglage des températures

Pour ajuster les réglages de température, appuyer sur la touche « + » (plus) ou « - » (moins) jusqu'à ce que la température désirée soit atteinte. La commande est réglée correctement lorsque le lait et les boissons sont à la température idéale.

REMARQUE :

- La température recommandée par défaut du réfrigérateur est de 37 °F (2 °C). La fourchette de points de réglages pour ce modèle est de 32 °F à 42 °F (0 °C à 5 °C).
- Attendre au moins 24 heures entre les réglages pour que le réfrigérateur s'adapte.

6. Visualisation de la température en degrés Celsius/Fahrenheit

Appuyer sur la touche tactile F/C pour alterner l'affichage de la température en degrés Fahrenheit ou en degrés Celsius. Le témoin correspondant s'allumera.

7. Mode Sabbath (Sabbat)

Permet d'ouvrir ou de fermer la porte du réfrigérateur le jour du sabbat ou lors d'autres fêtes religieuses sans allumer ou éteindre directement les lumières, les affichages numériques, les ventilateurs, les vannes, les tonalités ou les alarmes. En sélectionnant cette caractéristique, les points de réglage de température restent inchangés, mais les lumières du panneau de commande, les lampes d'intérieur et les signaux sonores du panneau de commande sont désactivés. Pour un fonctionnement plus efficace du réfrigérateur, il est recommandé de sortir du mode Sabbath lorsque celui-ci n'est plus nécessaire.

- Appuyer sur SABBATH (Sabbat) pendant 3 secondes pour activer la caractéristique. Après le compte à rebours de 3 secondes, la caractéristique s'active et tous les autres affichages s'éteignent.
- Appuyer sur SABBATH (Sabbat) pendant 3 secondes pour désactiver la caractéristique et activer l'affichage.

8. Alarme de dépassement de température

Permet d'éviter que les aliments ne se gâtent en donnant une alerte sonore et visuelle si la température dans l'une ou l'autre des zones dépasse la plage prédéfinie pendant 10 minutes.

L'alarme sonore s'éteint automatiquement lorsque la température revient à la normale. Pour vous avertir d'un dépassement de température, le témoin lumineux continue de clignoter jusqu'à ce que l'on appuie sur la touche Reset Alarm (réinitialisation de l'alarme). Si le dépassement de température persiste après une réinitialisation de l'alarme de dépassement de température, le témoin lumineux continue de se réactiver toutes les 4 heures jusqu'à ce que la température du réfrigérateur descende en dessous de la plage des températures préréglées.

REMARQUE : Ces caractéristiques ne s'affichent pas sur la commande à moins que la température du réfrigérateur dépasse la plage des températures préréglées et que l'alarme doit être réinitialisée.

9. Lampe automatique (modèles avec porte en verre)

Le réfrigérateur est équipé d'un détecteur qui illumine automatiquement l'intérieur lorsqu'une personne passe devant. Lorsque plus aucun mouvement n'est détecté, la lampe intérieure s'éteint après 2 minutes.

- Appuyer sur l'option Auto Light (lampe auto) pour activer cette caractéristique.
- Lorsque la fonction Autor Light (lampe auto) n'est pas activée, la lampe d'intérieur ne s'allume que lorsque la porte est ouverte.

REMARQUE :

- La température du réfrigérateur augmente légèrement si la lumière est laissée allumée pendant une période prolongée.

10. Alarme de porte ouverte

Permet d'éviter que les aliments ne se gâtent en donnant une alerte sonore et visuelle si la porte reste ouverte pendant 10 minutes.

Si la porte est laissée ouverte pendant plus de 10 minutes, l'avertisseur retentira toutes les 2 minutes jusqu'à ce que l'on ferme la porte ou que l'on appuie sur n'importe quelle touche.

11. Mode d'exposition

Ce mode est utilisé uniquement lorsque le réfrigérateur est en exposition dans le magasin. Si l'on active involontairement le mode d'exposition, « Cool Off » (refroidissement désactivé) s'allume sur l'affichage et les commandes semblent fonctionner. Sortir du mode d'exposition en appuyant simultanément sur COOL ON (refroidissement activé) et SABBATH (Sabbat) pendant 3 secondes.

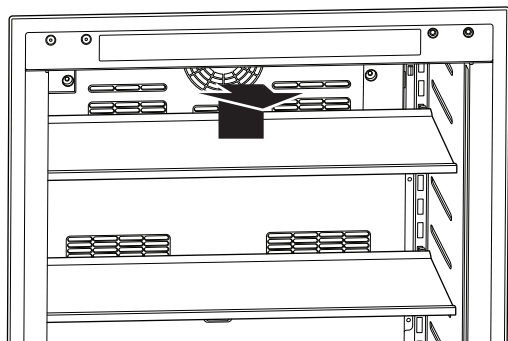
SONS NORMAUX

Il est possible que le réfrigérateur neuf émette des sons que l'appareil précédent ne produisait pas. Comme ces sons sont nouveaux, ils peuvent vous inquiéter. La plupart de ces nouveaux sons sont normaux. Les sons peuvent vous sembler plus forts avec des surfaces dures comme le plancher et les structures adjacentes. Les descriptions suivantes indiquent le genre de sons et leur cause possible.

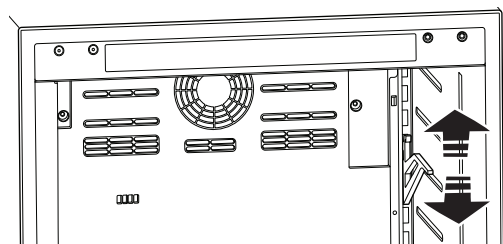
- Votre réfrigérateur est conçu pour fonctionner plus efficacement afin de conserver les aliments aux températures désirées et pour réduire la consommation d'énergie. Le compresseur et les ventilateurs très efficaces peuvent faire fonctionner votre réfrigérateur plus longtemps que l'ancien. Il se peut également que vous entendiez un bruit saccadé ou aigu provenant du compresseur ou des ventilateurs qui s'ajustent pour optimiser la performance.
- Des vibrations sonores peuvent provenir de l'écoulement du réfrigérant ou d'articles placés dans le réfrigérateur.
- À la fin de chaque programme, vous pouvez entendre un gargouillement attribuable au réfrigérant qui se trouve dans votre réfrigérateur.
- Vous pouvez entendre l'écoulement de l'eau dans le plat de récupération d'eau de dégivrage lorsque le réfrigérateur dégivre.
- Vous pouvez entendre des déclics lorsque le réfrigérateur se met en marche ou s'arrête.

TABLETTES DU RÉFRIGÉRATEUR POUR ENLEVER ET AJUSTER LES TABLETTES SUPÉRIEURES :

1. Ôter la tablette en la soulevant pour la sortir des supports de tablette.



2. Retirer les deux supports de tablette et les replacer à l'endroit souhaité.

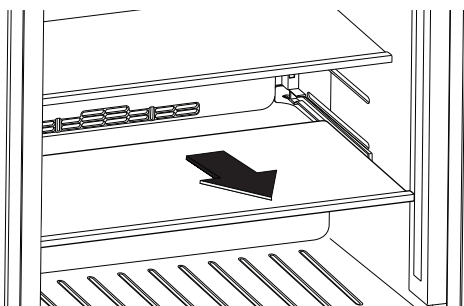


3. Réinstaller la tablette en l'insérant dans les supports de tablette.

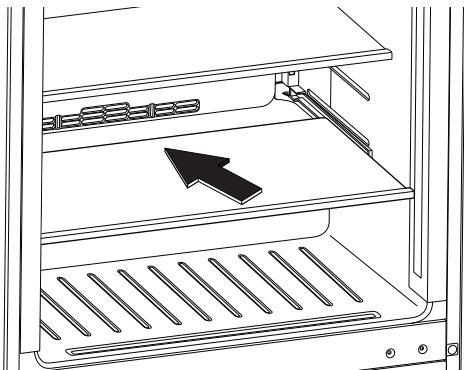
REMARQUE : Vérifier que la tablette est d'aplomb.

POUR ENLEVER ET RÉINSTALLER LA TABLETTE DU BAS :

1. Pour retirer la tablette située tout en bas, tirer tout droit vers l'extérieur.



2. Réinstaller la tablette en alignant les bords avec les glissières et en la poussant vers l'arrière du réfrigérateur.

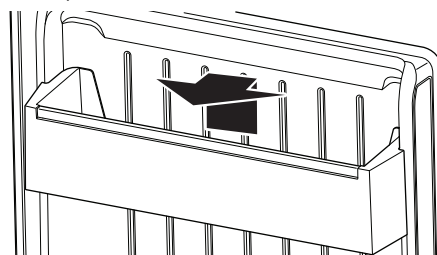


BALCONNETS DE PORTE (MODÈLES AVEC PORTE PLEINE)

Le réfrigérateur comporte deux emplacements pour balconnets de porte pour une capacité de rangement maximale.

RETRAIT ET RÉINSTALLATION DES BALCONNETS DE PORTE :

1. Enlever le balconnet de porte en l'inclinant vers l'avant pour le sortir.
2. Réinstaller le balconnet en plaçant l'arrière du balconnet sous le support de la porte et en le glissant en place.



LAMPES

Le réfrigérateur est muni d'une lampe intérieure qui s'allume lorsque la porte est ouverte.

REMARQUE : La lampe est une DEL qui n'a pas besoin d'être remplacée. Si la DEL ne s'allume pas quand on ouvre la porte, appeler le service de dépannage. Consulter la section « Assistance » pour obtenir les coordonnées.

ENTRETIEN ET NETTOYAGE

NETTOYAGE

AVERTISSEMENT



Risque d'explosion

Utiliser un produit de nettoyage ininflammable.

Le non-respect de cette instruction peut causer un décès, une explosion ou un incendie.

Nettoyer le réfrigérateur une fois par mois pour empêcher une accumulation d'odeurs. Essuyer les renversements immédiatement.

NETTOYAGE DU RÉFRIGÉRATEUR :

1. Débrancher le réfrigérateur ou déconnecter la source de courant électrique.
2. Retirer toutes les tablettes et tous les balconnets de l'intérieur du réfrigérateur.
3. Laver à la main, rincer et sécher les pièces amovibles et les surfaces internes soigneusement. Utiliser une éponge propre ou un linge doux et un détergent doux dans de l'eau tiède.
 - Afin d'éviter d'endommager les tiges en bois et les garnitures, les essuyer avec une éponge propre ou un chiffon doux et de l'eau tiède. Ne pas utiliser de détergent ni immerger le porte-bouteilles tout entier dans l'eau lors du nettoyage.
 - Ne pas utiliser de nettoyeurs puissants ou abrasifs tels que les nettoyeurs à vitre en atomiseurs, nettoyeurs à récurer, liquides inflammables, cires nettoyantes, détergents concentrés, agents de blanchiment ou nettoyeurs contenant du pétrole sur les pièces en plastique, les garnitures intérieures et garnitures de portes ou sur les joints de portes. Ne pas utiliser d'essuie-tout, de tampons à récurer ou d'autres outils de nettoyage abrasifs. Ces produits risquent d'égratigner ou d'endommager les matériaux.
 - Pour aider à éliminer les odeurs, on peut laver les parois intérieures avec un mélange d'eau tiède et de bicarbonate de soude (2 c. à soupe pour 1 pte [26 g pour 0,95 L] d'eau).
4. Laver les surfaces extérieures en acier inoxydable et surfaces extérieures peintes avec une éponge propre ou un linge doux et un détergent doux dans de l'eau tiède. Ne pas utiliser de produits de nettoyage forts ou abrasifs, ni de nettoyeurs à base de chlore. Ces produits risquent d'égratigner ou d'endommager les matériaux. Sécher soigneusement avec un chiffon doux.

REMARQUE : Pour que votre réfrigérateur en acier inoxydable conserve son aspect neuf et pour enlever les petites égratignures ou marques, il est recommandé d'utiliser le nettoyeur et poli pour acier inoxydable approuvé par le fabricant.

IMPORTANT :

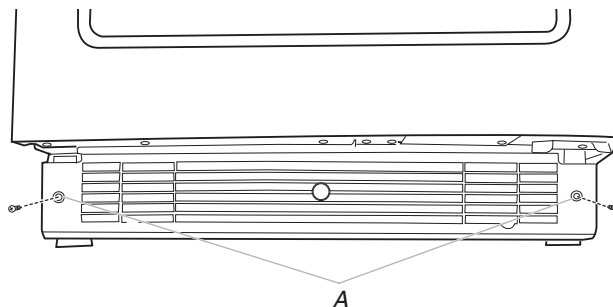
- Ce nettoyeur doit être utilisé sur les pièces en acier inoxydable uniquement!
 - Veiller à ce que le nettoyeur et poli pour acier inoxydable n'entre pas en contact avec les pièces de plastique comme les garnitures, couvercles de distributeurs ou joints de porte. En cas de contact non intentionnel, nettoyer la pièce de plastique avec une éponge et un détergent doux dans de l'eau tiède. Sécher soigneusement avec un chiffon doux.
5. Remplacer les tablettes et balconnets.
 6. Nettoyer régulièrement les serpentins du condenseur. Ils sont situés derrière le casier de la base. Il se peut que les serpentins aient besoin d'être nettoyés tous les deux mois. Ce nettoyage peut aider à économiser de l'énergie.
 - Retirer la grille de la base pour pouvoir accéder au condenseur aux fins de nettoyage. Se reporter à la section « Retrait de la grille de la base ».

ENLEVER LA GRILLE DE LA BASE

La grille de la base doit être retirée pour pouvoir accéder aux serpentins du condenseur lors du nettoyage.

POUR ENLEVER LA GRILLE DE LA BASE :

1. Ouvrir la porte du réfrigérateur.



A. Vis

2. À l'aide d'un tournevis à tête cruciforme, ôter les deux vis.
3. Retirer le casier de la base.

POUR REPLACER LA GRILLE DE LA BASE :

1. Ouvrir la porte du réfrigérateur.
2. Positionner la grille de la base de façon à ce que les onglets soient alignés et que la grille de la base s'emboîte. Réinstaller les deux vis. Serrer les vis.

ENTRETIEN AVANT LES VACANCES

Pour arrêter le réfrigérateur avant de partir, suivre ces étapes.

1. Enlever tous les aliments du réfrigérateur.
2. Débrancher le réfrigérateur.
3. Nettoyer le réfrigérateur. Se reporter à la section « Nettoyage ».
4. À l'aide d'un ruban adhésif, placer un bloc de caoutchouc ou de bois dans la partie supérieure de la porte de façon à ce qu'elle soit suffisamment ouverte pour permettre l'entrée de l'air à l'intérieur, afin d'éviter l'accumulation d'odeur ou de moisissure.

PRÉCAUTIONS À PRENDRE AVANT UN DÉMÉNAGEMENT

En cas de déménagement et de déplacement du réfrigérateur dans une nouvelle habitation, suivre ces étapes pour préparer le déménagement.

1. Enlever tous les aliments du réfrigérateur.
2. Débrancher le réfrigérateur.
3. Nettoyer, essuyer et sécher à fond.
4. Retirer toutes les pièces amovibles, bien les envelopper et les attacher ensemble avec du ruban adhésif pour qu'elles ne bougent et ne s'entrechoquent pas durant le déménagement.
5. Fermer les portes à l'aide de ruban adhésif et fixer le cordon d'alimentation au réfrigérateur.

Lors de l'arrivée au nouveau domicile, remettre tout en place et consulter la section « Instructions d'installation ».

DÉPANNAGE

Essayer d'abord les solutions suggérées ici afin d'éviter le coût d'une intervention de dépannage inutile.

UTILISATION

AVERTISSEMENT



Risque de choc électrique

Brancher sur une prise à 3 alvéoles reliée à la terre.

Ne pas enlever la broche de liaison à la terre.

Ne pas utiliser un adaptateur.

Ne pas utiliser un câble de rallonge.

Le non-respect de ces instructions peut causer un décès, un incendie ou un choc électrique.

- **Le cordon d'alimentation électrique est-il débranché?** Brancher l'appareil sur une prise à 3 alvéoles reliée à la terre.
- **La prise électrique fonctionne-t-elle?** Brancher une lampe pour voir si la prise fonctionne.
- **Un fusible du domicile est-il grillé ou un disjoncteur s'est-il déclenché?** Remplacer le fusible ou remettre le disjoncteur en fonction. Si le problème persiste, appeler un électricien.
- **Les commandes sont-elles activées?** S'assurer que les commandes du réfrigérateur sont activées. Se reporter à la section « Commandes ».

LE MOTEUR SEMBLE FONCTIONNER TROP

- **La température ambiante est-elle plus élevée que d'habitude?** Prévoir que le moteur fonctionnera plus longtemps dans des conditions de chaleur. Pour des températures normales, prévoir que le moteur fonctionne environ 40 % à 80 % du temps. Dans des conditions plus chaudes, prévoir un fonctionnement encore plus fréquent.

- **Vient-on d'ajouter une grande quantité d'aliments au réfrigérateur?** L'ajout d'une grande quantité d'aliments réchauffe le réfrigérateur. Il est normal que le moteur fonctionne plus longtemps afin de refroidir de nouveau le réfrigérateur.
- **La porte est-elle ouverte fréquemment?** Prévoir que le moteur fonctionne plus longtemps dans ce cas. Afin de conserver l'énergie, essayer de sortir du réfrigérateur tout ce dont vous avez besoin en une fois, garder les aliments organisés de sorte qu'ils soient faciles à trouver et fermer la porte dès que les aliments ont été retirés.
- **Le réglage est-il correct pour les conditions existantes?** Se reporter à la section « Commandes ».
- **La porte est-elle bien fermée?** Bien fermer la porte. Si elle ne ferme pas complètement, voir « La porte ne ferme pas complètement » plus loin dans cette section.
- **Les serpentins du condenseur sont-ils sales?** Cette situation fait obstruction au transfert de l'air et fait travailler davantage le moteur. Nettoyer les serpentins du condenseur. Se reporter à la section « Nettoyage ».

TEMPÉRATURE ET HUMIDITÉ

LA TEMPÉRATURE EST TROP ÉLEVÉE

- **La porte est-elle ouverte fréquemment?** Prévoir que le réfrigérateur se réchauffera dans ce cas. Pour garder le réfrigérateur froid, essayer de sortir du réfrigérateur tout ce dont vous avez besoin en une fois, garder les aliments organisés de sorte qu'ils soient faciles à trouver et fermer la porte dès que les aliments ont été retirés.
- **Vient-on d'ajouter une grande quantité d'aliments au réfrigérateur?** L'ajout d'une grande quantité d'aliments réchauffe le réfrigérateur. Plusieurs heures peuvent être nécessaires pour que le réfrigérateur revienne à la température normale.
- **Le réglage est-il correct pour les conditions existantes?** Consulter la section « Utilisation des commandes ».
- **La grille de la base est-elle obstruée?** Pour obtenir le meilleur rendement, ne pas installer le réfrigérateur derrière une porte d'armoire ni obstruer la grille de la base.

IL Y A ACCUMULATION D'HUMIDITÉ À L'INTÉRIEUR

- **La porte est-elle ouverte fréquemment?** Pour éviter l'accumulation d'humidité, essayer de sortir du réfrigérateur tout ce dont vous avez besoin en une fois, garder les aliments organisés de sorte qu'ils soient faciles à trouver et fermer la porte dès que les aliments ont été retirés. Lorsque la porte est ouverte, l'humidité de l'air extérieur pénètre dans le réfrigérateur. Plus la porte est ouverte, plus l'humidité s'accumule rapidement, surtout lorsque la pièce est très humide.
- **La pièce est-elle humide?** Il est normal que de l'humidité s'accumule à l'intérieur du réfrigérateur lorsque l'air est humide.
- **Les aliments sont-ils bien emballés?** Vérifier que tous les aliments sont bien emballés. Essuyer les contenants humides avant de les placer dans le réfrigérateur.
- **Le réglage est-il correct pour les conditions existantes?** Se reporter à la section « Commandes ».

PORTE

LA PORTE EST DIFFICILE À OUVRIR

⚠ AVERTISSEMENT



Risque d'explosion

Utiliser un produit de nettoyage ininflammable.

Le non-respect de cette instruction peut causer un décès, une explosion ou un incendie.

- **Le joint est-il sale ou collant?** Nettoyer le joint et la surface avec laquelle il est en contact. Frotter en appliquant une fine couche de paraffine sur le joint après le nettoyage.

LA PORTE NE FERME PAS COMPLÈTEMENT

- **Les aliments emballés empêchent-ils la porte de fermer?** Réorganiser les contenants de sorte qu'ils soient plus rapprochés et prennent moins d'espace.
- **Les tablettes sont-elles bien en place?** Remettre les tablettes à la bonne position. Consulter la section « Utilisation du réfrigérateur » pour plus de renseignements.

⚠ AVERTISSEMENT



Risque d'explosion

Utiliser un produit de nettoyage ininflammable.

Le non-respect de cette instruction peut causer un décès, une explosion ou un incendie.

- **Le joint colle-t-il?** Nettoyer le joint et la surface avec laquelle il est en contact. Frotter en appliquant une fine couche de paraffine sur le joint après le nettoyage.

ASSISTANCE

SI VOUS AVEZ BESOIN DE SERVICE

Avant de faire un appel pour assistance ou dépannage, vérifiez la section « Dépannage ». Cette vérification peut vous faire économiser le coût d'une intervention de dépannage. Pour de l'aide supplémentaire, suivez les instructions ci-dessous.

Avant d'appeler, avoir à portée de la main la date d'achat, ainsi que les numéros de modèle et de série complets de l'appareil. Ces renseignements nous aideront à mieux répondre à votre demande. Consultez la page de garantie du présent manuel pour plus d'information sur le service.

SI VOUS AVEZ BESOIN DE PIÈCES DE RECHANGE

Les composants doivent être remplacés par des composants similaires et l'entretien doit être effectué par une personne d'entretien autorisée par l'usine, ce qui permettra de réduire les risques d'ignition possible causés par l'utilisation de mauvaises pièces ou le mauvais entretien.

AUX É.-U.

Appelez sans frais le centre d'expérience à la clientèle JennAir au **1 800 JENNAIR (1 800 536-6247)**, ou visitez notre site Web au **www.jennair.com**.

NOS CONSEILLERS PEUVENT VOUS AIDER SUR LES POINTS SUIVANTS :

- Caractéristiques et spécifications de notre gamme complète d'appareils ménagers.
- Renseignements sur l'installation.
- Procédures d'utilisation et d'entretien.
- Vente d'accessoires et de pièces de rechange.
- Assistance spécialisée au client (langue espagnole, malentendants, malvoyants, etc.).
- Orientation vers des revendeurs, distributeurs de pièces de rechange et services de réparation locaux. Les techniciens de service désignés par JennAir sont formés pour remplir la garantie des produits et fournir un service après garantie partout aux États-Unis.

Pour localiser la compagnie de service désignée par JennAir dans votre région, vous pouvez également consulter les Pages jaunes.

POUR PLUS D'ASSISTANCE

Si vous avez besoin de plus d'assistance, vous pouvez écrire à JennAir en soumettant toute question ou problème à :

JennAir Brand Home Appliances
Customer eXperience Center
553 Benson Road
Benton Harbor, MI 49022-2692

Veillez indiquer dans votre correspondance un numéro de téléphone où l'on peut vous joindre dans la journée.

AU CANADA

Appelez sans frais le Centre pour l'expérience de la clientèle canadienne de JennAir au : **1 800 JENNAIR (1 800 536-6247)**.

NOS CONSEILLERS PEUVENT VOUS AIDER SUR LES POINTS SUIVANTS :

- Caractéristiques et spécifications de notre gamme complète d'appareils ménagers.
- Procédures d'utilisation et d'entretien.
- Vente d'accessoires et de pièces de rechange.
- Les références aux concessionnaires, compagnies de service de réparation et distributeurs de pièces de rechange locaux. Les techniciens de service désignés de JennAir Canada sont formés pour remplir la garantie des produits et fournir un service après la garantie, partout au Canada.

POUR PLUS D'ASSISTANCE

Si vous avez besoin de plus d'assistance, vous pouvez écrire à JennAir Canada en soumettant toute question ou tout problème à :

JennAir Canada
Customer eXperience Centre
200 – 6750 Century Ave.
Mississauga, Ontario L5N 0B7

Veillez indiquer dans votre correspondance un numéro de téléphone où l'on peut vous joindre dans la journée.

GARANTIE LIMITÉE DES APPAREILS DE RÉFRIGÉRATION JENNAIR®

ATTACHEZ ICI VOTRE REÇU DE VENTE. UNE PREUVE D'ACHAT EST OBLIGATOIRE POUR OBTENIR L'APPLICATION DE LA GARANTIE.

Lorsque vous appelez le centre d'expérience de la clientèle, veuillez garder à disposition les renseignements suivants :

- Nom, adresse et numéro de téléphone
- Numéros de modèle et de série
- Une description claire et détaillée du problème rencontré
- Une preuve d'achat incluant le nom et l'adresse du marchand ou du détaillant

IF YOU NEED SERVICE:

1. Avant de nous contacter pour obtenir un dépannage, veuillez déterminer si des réparations sont nécessaires pour votre produit. Certains problèmes peuvent être résolus sans intervention de dépannage. Prenez quelques minutes pour parcourir la section Dépannage ou Résolution de problèmes du guide d'utilisation et d'entretien, ou rendez-vous sur le site <http://www.jennair.ca>.
2. Tout service sous garantie doit être effectué exclusivement par nos fournisseurs de dépannage autorisés JennAir. Aux É.-U. et au Canada, dirigez toutes vos demandes de service sous garantie au

**Centre d'expérience de la clientèle JennAir
1-800-JENNAIR (1-800-536-6247).**

Si vous résidez à l'extérieur du Canada et des 50 États des États-Unis, contactez votre marchand JennAir autorisé pour déterminer si une autre garantie s'applique.

GARANTIE LIMITÉE DE DIX ANS

CE QUI EST COUVERT

GARANTIE LIMITÉE DE DEUX ANS (PIÈCES ET MAIN-D'OEUVRE)

Pendant deux ans à compter de la date d'achat, lorsque ce gros appareil ménager est installé, utilisé et entretenu conformément aux instructions jointes à ou fournies avec le produit, la marque JennAir de Whirlpool Corporation ou Whirlpool Canada, LP (ci-après désignées "JennAir") décidera à sa seule discrétion de remplacer le produit ou de couvrir le coût des pièces spécifiées par l'usine et de la main-d'oeuvre nécessaires pour corriger les vices de matériaux ou de fabrication qui existaient déjà lorsque ce gros appareil ménager a été acheté. S'il est remplacé, l'appareil sera couvert pour la période restant à courir de la garantie limitée d'un an du produit d'origine.

GARANTIE LIMITÉE DE LA TROISIÈME À LA CINQUIÈME ANNÉE INCLUSIVEMENT SUR LA DOUBLURE DE LA CAVITÉ ET SUR LE SYSTÈME DE RÉFRIGÉRATION SCÉLLÉ

De la troisième à la cinquième année inclusivement à compter de la date d'achat initiale, lorsque ce gros appareil ménager est installé, utilisé et entretenu conformément aux instructions jointes au produit ou fournies avec, la marque JennAir paiera pour les pièces de rechange spécifiées par l'usine et la main-d'oeuvre concernant les composants suivants pour corriger les défauts non esthétiques de matériau ou de fabrication de ladite pièce qui empêchent le réfrigérateur de fonctionner et qui étaient déjà présents lorsque ce gros appareil ménager a été acheté :

- Doublure de la cavité du réfrigérateur/congélateur si la pièce se fissure en raison d'un vice de matériau ou de fabrication.
- Système de réfrigération scellé (y compris le compresseur, l'évaporateur, le condenseur, le séchoir et les conduits de connexion).

GARANTIE LIMITÉE DE LA SIXIÈME À LA DIXIÈME ANNÉE (SYSTÈME DE RÉFRIGÉRATION SCÉLLÉ UNIQUEMENT - MAIN-D'OEUVRE NON COMPRISE)

De la sixième à la dixième année inclusivement à compter de la date d'achat, lorsque ce gros appareil ménager est installé, utilisé et entretenu conformément aux instructions jointes à ou fournies avec le produit, la marque JennAir paiera pour les pièces de rechange spécifiées par l'usine pour corriger les vices de matériaux ou de fabrication sur le système de réfrigération scellé qui existaient déjà lorsque ce gros appareil ménager a été acheté pour les pièces suivantes : compresseur, évaporateur, condenseur, sècheuse et conduits de connexion.

LE SEUL ET EXCLUSIF RECOURS DU CLIENT DANS LE CADRE DE LA PRÉSENTE GARANTIE LIMITÉE CONSISTE EN LA RÉPARATION PRÉVUE PAR LA PRÉSENTE. Le service doit être fourni par une compagnie de service désignée par JennAir. Cette garantie limitée est valide uniquement aux États-Unis ou au Canada et s'applique exclusivement lorsque le gros appareil ménager est utilisé dans le pays où il a été acheté. La présente garantie limitée est valable à compter de la date d'achat initial par le consommateur. Une preuve de la date d'achat initial est exigée pour obtenir un dépannage dans le cadre de la présente garantie limitée.

CE QUI N'EST PAS COUVERT

1. Usage commercial, non résidentiel ou par plusieurs familles, ou non-respect des instructions de l'utilisateur, de l'opérateur ou des instructions d'installation.
2. Visite d'instruction à domicile pour montrer à l'utilisateur comment utiliser l'appareil.
3. Visites de service pour rectifier une installation ou un entretien fautif du produit, une installation non conforme aux codes d'électricité ou de plomberie, ou la rectification de l'installation électrique ou de la plomberie du domicile (ex : câblage électrique, fusibles ou tuyaux d'arrivée d'eau du domicile).
4. Pièces consommables (ex : ampoules, batteries, filtres à air ou à eau, solutions de conservation, etc.).
5. Défauts ou dommage résultant de l'utilisation de pièces ou accessoires JennAir non authentiques.
6. Dommages causés par : accident, mésusage, abus, incendie, inondations, catastrophe naturelle ou l'utilisation de produits non approuvés par JennAir.
7. Réparations aux pièces ou systèmes dans le but de rectifier un dommage ou des défauts résultant d'une réparation, altération ou modification non autorisée faite à l'appareil.
8. Défauts d'apparence, notamment les éraflures, traces de choc, fissures ou tout autre dommage subi par le fini de l'appareil ménager, à moins que ces dommages ne résultent de vices de matériaux ou de fabrication et ne soient signalés à JennAir dans les 30 jours suivant la date d'achat.
9. Décoloration, rouille ou oxydation des surfaces résultant d'environnements caustiques ou corrosifs incluant des concentrations élevées de sel, un haut degré d'humidité ou une exposition à des produits chimiques (exemples non exhaustifs).
10. Perte d'aliments ou de médicaments due à la défaillance du produit.
11. Enlèvement ou livraison. Ce produit est conçu pour être réparé à l'intérieur du domicile.
12. Frais de déplacement et de transport pour le dépannage/la réparation dans une région éloignée où une compagnie de service JennAir autorisée n'est pas disponible.
13. Retrait ou réinstallation d'appareils inaccessibles ou de dispositifs préinstallés (ex : garnitures, panneaux décoratifs, plancher, meubles, îlots de cuisine, plans de travail, panneaux de gypse, etc.) qui entravent le dépannage, le retrait ou le remplacement du produit.
14. Service et pièces pour des appareils dont les numéros de série et de modèle originaux ont été enlevés, modifiés ou ne peuvent pas être facilement identifiés.

Le coût d'une réparation ou d'un remplacement dans le cadre de ces circonstances exclues est à la charge du client.

CLAUSE D'EXONÉRATION DE RESPONSABILITÉ AU TITRE DES GARANTIES IMPLICITES

LES GARANTIES IMPLICITES, Y COMPRIS LES GARANTIES APPLICABLES DE QUALITÉ MARCHANDE OU D'APTITUDE À UN USAGE PARTICULIER, SONT LIMITÉES À UN AN OU À LA PLUS COURTE PÉRIODE AUTORISÉE PAR LA LOI. Certains États et provinces ne permettent pas de limitation sur la durée des garanties implicites de qualité marchande ou d'aptitude à un usage particulier, de sorte que la limitation ci-dessus peut ne pas être applicable dans votre cas. Cette garantie vous confère des droits juridiques spécifiques et vous pouvez également jouir d'autres droits qui peuvent varier d'une juridiction à l'autre.

EXONÉRATION DE RESPONSABILITÉ DANS LES DOMAINES NON COUVERTS PAR LA GARANTIE

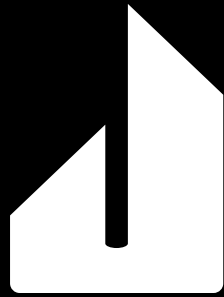
JennAir décline toute responsabilité au titre de la qualité, de la durabilité ou en cas de dépannage ou de réparation nécessaire sur ce gros appareil ménager autre que les responsabilités énoncées dans la présente garantie. Si vous souhaitez une garantie plus étendue ou plus complète que la garantie limitée fournie avec ce gros appareil ménager, adressez-vous à JennAir ou à votre détaillant pour obtenir les modalités d'achat d'une garantie étendue.

LIMITATION DES RECOURS; EXCLUSION DES DOMMAGES FORTUITS OU INDIRECTS

LE SEUL ET EXCLUSIF RECOURS DU CLIENT DANS LE CADRE DE LA PRÉSENTE GARANTIE LIMITÉE CONSISTE EN LA RÉPARATION PRÉVUE PAR LA PRÉSENTE. JENNAIR N'ASSUME AUCUNE RESPONSABILITÉ POUR LES DOMMAGES FORTUITS OU INDIRECTS. Certains États et certaines provinces ne permettent pas l'exclusion ou la limitation des dommages fortuits ou indirects de sorte que ces limitations et exclusions peuvent ne pas être applicables dans votre cas. Cette garantie vous confère des droits juridiques spécifiques et vous pouvez également jouir d'autres droits qui peuvent varier d'une juridiction à l'autre.

01/17

NOTES:



JENNAIR®