

**DOUBLE DRAWERS**  
REFRIGERATOR/FREEZER - REFRIGERATOR/REFRIGERATOR

**DOUBLE TIROIR**  
RÉFRIGÉRATEUR/CONGÉLATEUR - RÉFRIGÉRATEUR/RÉFRIGÉRATEUR

**CAJÓN DOBLE**  
REFRIGERADOR/CONGELADOR - REFRIGERADOR/REFRIGERADOR

Models/ Modèles/ Modelos

JUCFP242HL11, JUCFP242HM11, JUCFP242HX11  
JUDFP242HL11, JUDFP242HM11, JUDFP242HX11



For questions about features, operation/performance, parts, accessories, or service,  
call: **1-800-JENNAIR (1-800-536-6247)** or visit our website at [www.jennair.com](http://www.jennair.com)  
In Canada, call: **1-800-JENNAIR (1-800-536-6247)**, or visit our website at [www.jennair.ca](http://www.jennair.ca)

Pour des questions sur les fonctionnalités, fonctionnement/performance, pièces, accessoires ou service,  
appelez le: **1-800-JENNAIR (1-800-536-6247)** ou visitez notre site Web à [www.jennair.com](http://www.jennair.com)  
Au Canada, composez le: **1-800-JENNAIR (1-800-536-6247)**, ou visitez notre site web à [www.jennair.ca](http://www.jennair.ca)

Para preguntas sobre los recursos, operaciones/desempeño, piezas, accesorios o servicio,  
llamar al: **1-800-JENNAIR (1-800-536-6247)** o acceda a nuestro sitio web [www.jennair.com](http://www.jennair.com)  
En Canadá, llamar al: **1-800-JENNAIR (1-800-536-6247)**, o acceda a nuestro sitio web [www.jennair.ca](http://www.jennair.ca)



**JENNAIR®**





# DOUBLE DRAWERS

## USE AND CARE GUIDE AND INSTALLATION INSTRUCTION

THANK YOU for purchasing this high-quality product. Register your new double drawer at [www.jennair.com](http://www.jennair.com)  
In Canada, register your double drawer at [www.jennair.ca](http://www.jennair.ca)

For future reference, please make a note of your product model and serial numbers. These can be located on the inside wall of the double drawer compartment.

Model Number \_\_\_\_\_ Serial Number \_\_\_\_\_

### TABLE OF CONTENTS

DOUBLE DRAWERS SAFETY .....	4
Proper Disposal of your Old Double Drawer.....	5
DESIGN CONFIGURATION.....	5
INSTALLATION REQUIREMENTS.....	6
Tools and Parts.....	6
Location Requirements.....	6
Product Dimension.....	7
Custom Overlay Drawer Panels.....	8
Electrical Requirements.....	9
INSTALLATION INSTRUCTIONS.....	9
Unpack the Refrigerator Drawers.....	9
Water Supply Requirements.....	9
Connect Water Supply.....	10
Move the Refrigerator Drawers to Final Location.....	11
Install Custom Overlay Panel .....	11
Level the Refrigerator Drawers.....	12
Complete Installation.....	12
REFRIGERATOR DRAWERS USE .....	13
Using the Controls .....	13
Normal Sounds.....	15
Ensuring Proper Air Circulation.....	16
Ice Maker.....	16
CARE AND CLEANING .....	16
Cleaning .....	16
Condenser Cleaning.....	17
Removing Base Grille.....	17
Power Interruptions.....	18
Vacation Care.....	18
Moving Care.....	18
TROUBLESHOOTING.....	18
ASSISTANCE .....	20
In the U.S.A.....	20
In Canada .....	20
Accessories .....	20
PRODUCT DATA SHEETS.....	21

# DOUBLE DRAWERS SAFETY

## Your safety and the safety of others are very important.

We have provided many important safety messages in this manual and on your appliance. Always read and obey all safety messages.



This is the safety alert symbol.

This symbol alerts you to potential hazards that can kill or hurt you and others.

All safety messages will follow the safety alert symbol and either the word “DANGER” or “WARNING.”

These words mean:

**⚠ DANGER**

You can be killed or seriously injured if you don't immediately follow instructions.

**⚠ WARNING**

You can be killed or seriously injured if you don't follow instructions.

All safety messages will tell you what the potential hazard is, tell you how to reduce the chance of injury, and tell you what can happen if the instructions are not followed.

## IMPORTANT SAFETY INSTRUCTIONS

**WARNING:** To reduce the risk of fire, electric shock, or injury when using your double drawer, follow these basic precautions:

- Plug into a grounded 3 prong outlet.
- Do not remove ground prong.
- Do not use an adapter.
- Do not use an extension cord.
- Disconnect power before servicing.
- Replace all parts and panels before operating.
- Remove doors or drawer(s) from your old double drawer.
- Use non flammable cleaner.
- Do not store or use petrol, flammable liquids or gas in the vicinity of this or other electrical appliances. The fumes can cause fires or explosions.
- Do not store explosive substances such as aerosol cans with a flammable propellant in this double drawer.
- Do not use or place electrical devices inside the double drawer compartments if they are not of the type expressly authorized by the manufacturer.
- Use two or more people to move and install double drawer.
- This appliance is not intended for use by persons (including children) with reduced physical, sensory or mental capabilities, or lack of experience and knowledge, unless they have been given supervision or instruction concerning use of the appliance by a person responsible for their safety.
- Children should be supervised to ensure that they do not play with the appliance.
- To avoid the risk of children becoming trapped and suffocating, do not allow them to play or hide inside the double drawer.
- If the power supply cord is damaged, it must be replaced by the manufacturer or its service agent or a similarly qualified person.
- Keep ventilation openings, in the appliance enclosure or in the built-in structure, clear of obstruction.
- Do not use mechanical devices or other means to accelerate the defrosting process, other than those recommended by the manufacturer.
- Do not damage the refrigerant circuit.
- For the models with ice/water: Connect to potable water supply only.

**SAVE THESE INSTRUCTIONS**

## PROPER DISPOSAL OF YOUR OLD DOUBLE DRAWER

**WARNING: Risk of child entrapment. Before you throw away your old Double Drawer:**

- Take off the door or drawer(s).
- Leave the shelves in place so that children may not easily climb inside.

### **⚠ WARNING**

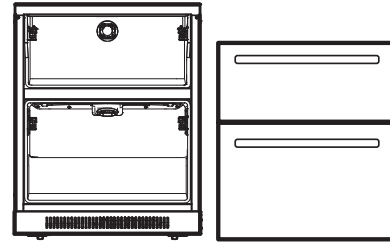
#### **Suffocation Hazard**

**Remove doors or drawers or lid from your old appliance.**

**Failure to do so can result in death or brain damage.**

**IMPORTANT:** Child entrapment and suffocation are not problems of the past. Junked or abandoned double

drawers are still dangerous – even if they will sit for “just a few days.” If you are getting rid of your old double drawers, please follow these instructions to help prevent accidents.



### **Important information to know about disposal of refrigerants:**

Dispose of refrigerator in accordance with Federal and Local Regulations. Refrigerants must be evacuated by a licensed, EPA certified refrigerant technician in accordance with established procedures.

## DESIGN CONFIGURATION

### DOUBLE REFRIGERATOR DRAWERS:

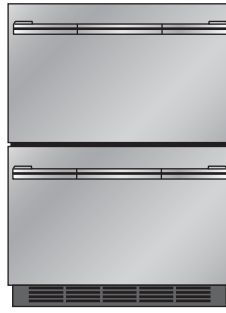
Two refrigerator drawers provide additional storage options in the kitchen or other areas of the home.

**Stainless Door  
Noir™ Model**



**JUDFP242HM11**

**Stainless Door  
Rise™ Model**



**JUDFP242HL11**

**Overlay Door**



**JUDFP242HX11**

### REFRIGERATOR/FREEZER DRAWERS (WITH ICE MAKER AND WATER FILTER)

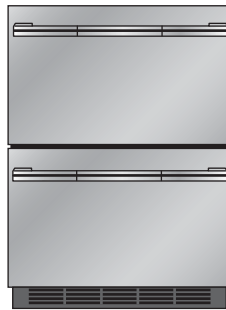
Upper refrigerator drawer and lower freezer drawer provide additional storage options in the kitchen or other areas of the home. Factory-installed ice maker in lower drawer ensures a constant supply of ice on hand at all times.

**Stainless Door  
Noir™ Model**



**JUCFP242HM11**

**Stainless Door  
Rise™ Model**



**JUCFP242HL11**

**Overlay Door**



**JUCFP242HX11**

# INSTALLATION REQUIREMENTS

## TOOLS AND PARTS

Gather the required tools and parts before starting installation.

Read and follow the instructions provided with any tools listed here.

### TOOLS AND PARTS NEEDED:

- Phillips screwdriver.
- Cordless drill
- 1/8" Drill bit
- Tape measure
- Level

### ADDITIONAL TOOLS NEEDED (CUSTOM OVERLAY PANEL ONLY):

- Scissors
- Pencil
- Scribe

### PARTS NEEDED (CUSTOM OVERLAY PANEL ONLY):


- Custom Overlay Drawer Panels – See “Custom Overlay Drawer Panels.”
- Hardware

### PARTS NEEDED (CUSTOM OVERLAY PANEL ONLY):

- Hooks (8)
- Screws (16)
- Self-tap wood screws (4)

## LOCATION REQUIREMENTS

**⚠ WARNING**



Explosion Hazard

**Keep flammable materials and vapors, such as gasoline, away from refrigerator drawers.**

**Failure to do so can result in death, explosion, or fire.**

### IMPORTANT:

This appliance is intended to be used in household and similar applications such as:

- Staff kitchen areas in shops, office and other working environments;
- Farm houses and by clients in hotels, motels and other residential type environments;
- Bed and breakfast type environments;
- Catering and similar non-retail applications.

### NOTES:

- For the double drawer to be flush with the front of the base cabinets, remove any baseboards or moldings from the rear of the opening. See “Product Dimensions” and later in this section, “Opening Dimensions.”
- It is recommended that you do not install the double drawer near an oven, radiator, or other heat source.

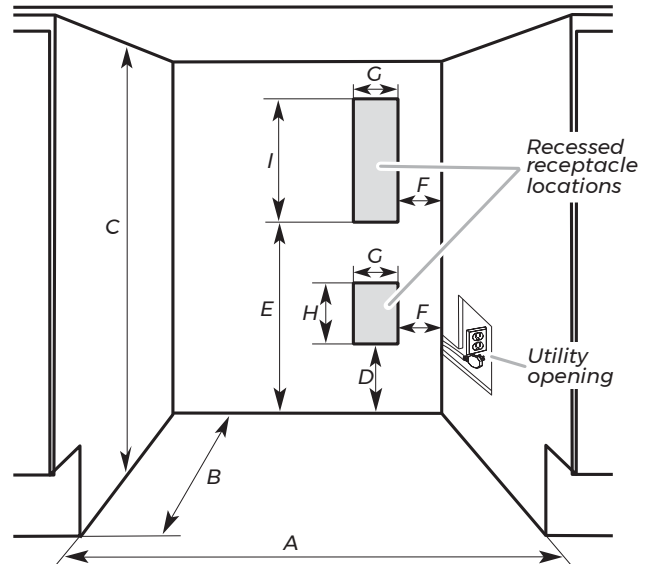
- Do not install in a location where the temperature will fall below 55 °F (13 °C). For best performance, do not install the refrigerator drawers behind a cabinet door or block the base grille.

### OPENING DIMENSIONS:

- Height dimensions are shown with the leveling legs extended to the minimum height of 1/4" (6 mm) below the refrigerator drawers.

**NOTE:** When leveling legs are fully extended to 1" (25 mm) below the refrigerator drawers, add 3/4" (19 mm) to the height dimensions. See “Product Dimensions.”

- If the floor of the opening is not level with the kitchen floor, shim the opening to make it level with the kitchen floor.



Opening and utility location dimensions	
Opening width - A	24" (60.96 cm) min.
Opening depth - B	24" (60.96 cm) min.
Opening height - C	34 1/2" (87.6 cm) min. 35" (88.9 cm) max.
Dimension - D	12 1/16" (30.64 cm)
Dimension - E	21 3/4" (55.24 cm)
Dimension - F	1 3/4" (4.44 cm)
Dimension - G	3" (7.62 cm)
Dimension - H	4 1/2" (11.43 cm)
Dimension - I	9 1/4" (23.49 cm)

For flush installation, the power outlet can be installed in adjacent cabinetry with a cutout on the power cord side for routing of the power cord.

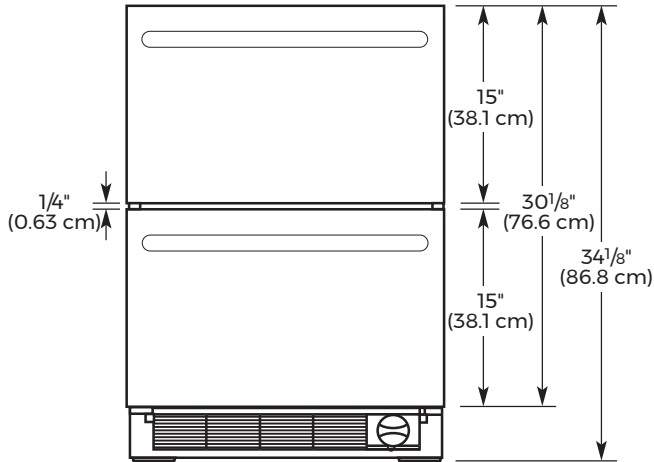
The power outlet can also be recessed on the back wall behind the unit as per recommended receptacle locations in the above illustration.

## PRODUCT DIMENSION

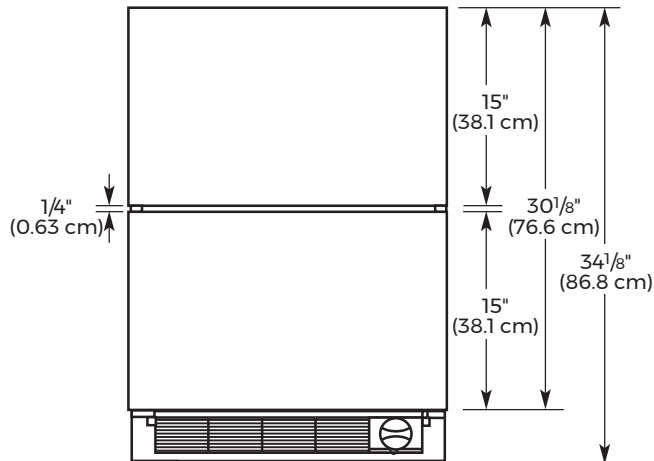
### DRAWER HEIGHT DIMENSIONS:

- Height dimensions are shown with the leveling legs extended to 1/4" (0.63 cm) below the refrigerator drawers.
- When leveling legs are fully extended to 1" (2.54 cm) below the refrigerator drawers, add 3/4" (1.9 cm) to the height dimensions.
- The power cord is 60" (152.4 cm) long.

### STYLE 1 - STAINLESS STEEL (FRONT VIEW)

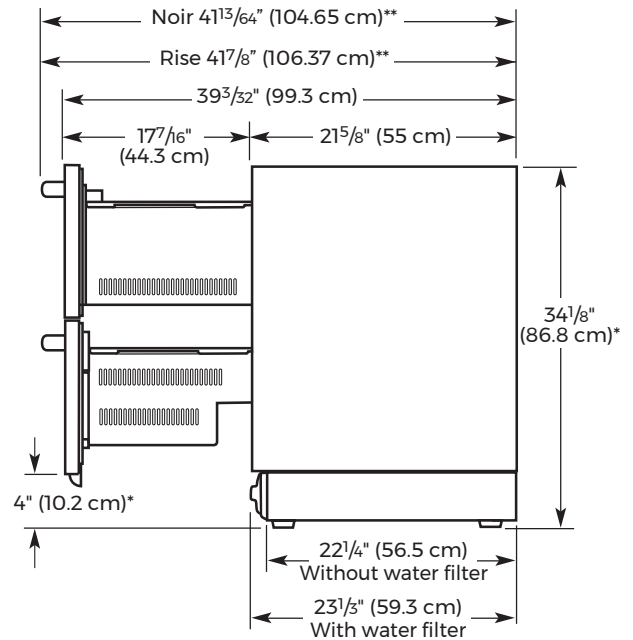


### STYLE 2 - OVERLAY (FRONT VIEW)

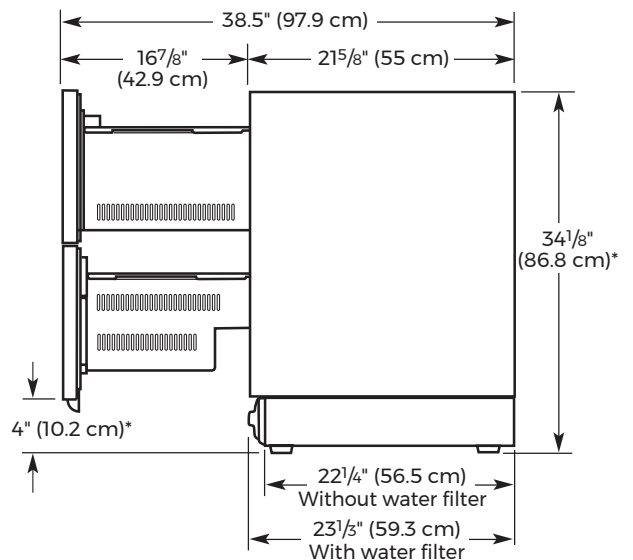


### DRAWER DEPTH DIMENSIONS:

#### STYLE 1 - STAINLESS STEEL (SIDE VIEW)



#### STYLE 2 - OVERLAY (SIDE VIEW)

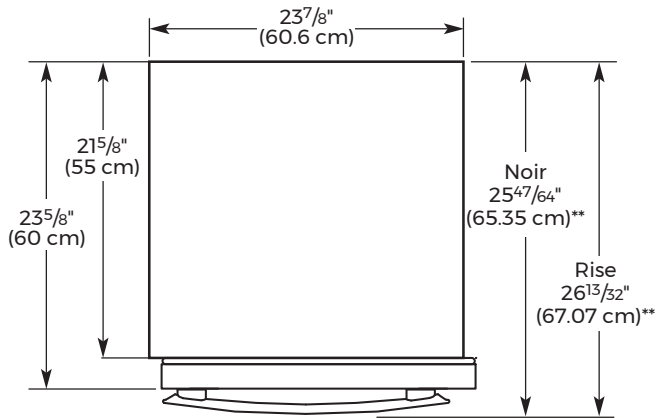


\* Add 3/4" (1.9 cm) to the height dimension when leveling legs are fully extended.

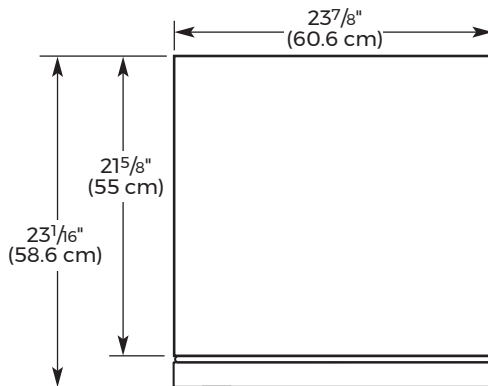
\*\* For custom panel models, this will vary.

## DRAWER WIDTH DIMENSIONS

### STYLE 1- STAINLESS STEEL (TOP VIEW)



### STYLE 2- OVERLAY (TOP VIEW)



\* Add  $\frac{3}{4}$ " (1.9 cm) to the height dimension when leveling legs are fully extended.

\*\* For custom panel models, this will vary.

## CUSTOM OVERLAY DRAWER PANELS

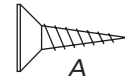
If you plan to install custom wood panels, you will need to create the panels yourself or consult a qualified cabinetmaker or carpenter. See dimension drawings for panel specifications.

### IMPORTANT:

- The thickness of the overlay panels must be  $\frac{3}{4}$ " (1.9 cm).
- To avoid damage to the drawers, each overlay panel must not weigh more than 10 lb (4.54 kg).
- Do not exceed the height dimension for the overlay panels. Panels that exceed the height dimension may damage the refrigerator drawers, cabinets or countertop.
- The width of the overlay panels may vary according to the width of the cabinet opening.

For the installation of the customer panel, you will need the following parts:

- 8 Wood screws
- 8 Brackets



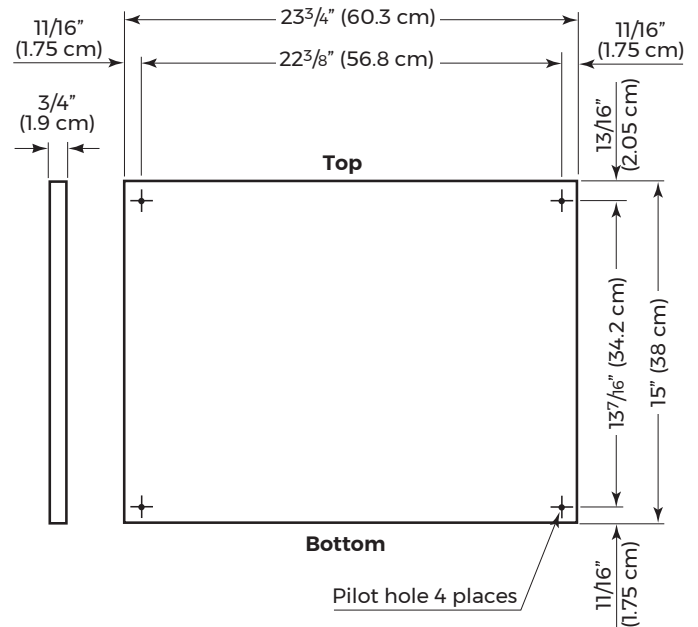
A- M4 x 32

B- Left and right brackets

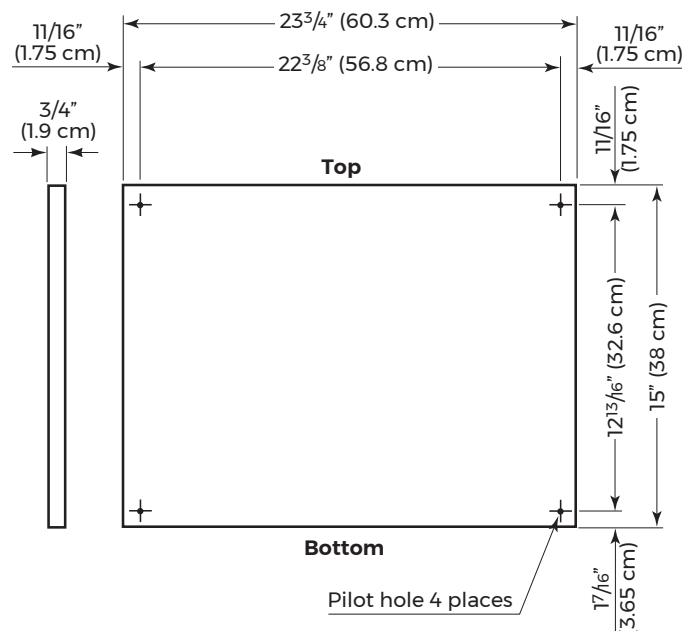


## TOP AND BOTTOM OVERLAY DRAWER PANEL DIMENSIONS:

### UPPER DOOR



### LOWER DOOR





## ELECTRICAL REQUIREMENTS

### **WARNING**



#### Electrical Shock Hazard

Plug into a grounded 3 prong outlet.

Do not remove ground prong.

Do not use an adapter.

Do not use an extension cord.

Failure to follow these instructions can result in death, fire, or electrical shock.

Before you move your double drawer into its final location, it is important to make sure you have the proper electrical connection.

#### RECOMMENDED GROUNDING METHOD:

A 115 V, 60 Hz, AC only, 15 A or 20 A fused, grounded electrical supply is required. It is recommended that a separate circuit serving only your double drawer be provided.

Use an outlet that cannot be turned off by a switch. Do not use an extension cord.

**NOTE:** Before performing any type of installation, cleaning, or removing a light bulb, unplug the double drawer or disconnect power.

## INSTALLATION INSTRUCTIONS

### UNPACK THE REFRIGERATOR DRAWERS

### **WARNING**

#### Excessive Weight Hazard

Use two or more people to move and install or uninstall appliance.

Failure to do so can result in back or other injury.

#### REMOVE THE PACKAGING:

Before using your double drawer, all packaging materials should be removed and the interior should be cleaned.

- Remove tape and glue residue from surfaces before turning on the double drawer. With your fingers, rub a small amount of liquid dish soap over any adhesive and wipe with warm water to remove.
- Do not use sharp instruments, rubbing alcohol, flammable fluids, or abrasive cleaners to remove tape or glue. These can damage the surfaces of your double drawer. For more information, refer "Double Drawer Safety" section.
- Dispose of and/or recycle all packaging materials.
- After all packaging materials have been removed, clean the inside of your double drawer the cleaning instructions in "Cleaning" section.

#### When Moving Your Refrigerator Drawers:

Your refrigerator drawers are heavy. When moving the appliance for service, be sure to cover the floor with cardboard or hardboard to avoid floor damage. Always pull the appliance straight out when moving it. Do not wiggle or "walk" the appliance when trying to move it, as floor damage could occur.

#### CLEAN BEFORE USING:

After you remove all of the package materials, clean the inside of your refrigerator drawers before using them. See "Cleaning."

### WATER SUPPLY REQUIREMENTS (REFRIGERATOR/FREEZER DRAWERS ONLY)

Gather the required tools and parts before starting installation. Read and follow the instructions provided with any tools listed here.

#### IMPORTANT:

- Connect to potable water supply.

Do not use with water that is microbiologically unsafe or of unknown quality without adequate disinfection before or after the system. Systems certified for cyst reduction may be used on disinfected waters that may contain filterable cysts.

- If you turn ON the refrigerator before the water line is connected, turn OFF the ice maker.
- All installations must meet local plumbing code requirements.
- Use copper tubing and check for leaks. Install copper tubing only in areas where the household temperatures will remain above freezing.

#### TOOLS NEEDED:

Flat-blade screwdriver, 7/16" and 1/2" open-end wrenches or two adjustable wrenches, 1/4" nut driver and drill bit, cordless drill.

**NOTE:** Your refrigerator dealer has a kit available with a 1/4" (6.35 mm) saddle-type shutoff valve, a union, and copper tubing. Before purchasing, make sure a saddle-

type valve complies with your local plumbing codes. Do not use a piercing-type or 3/16" (4.76 mm) saddle valve which reduces water flow and clogs more easily.

**WATER PRESSURE:**

A cold water supply with water pressure of between 30 and 120 psi (207 and 827 kPa) is required to operate ice maker. If you have questions about your water pressure, call a licensed, qualified plumber.

**REVERSE OSMOSIS WATER SUPPLY:**

**IMPORTANT:** The pressure of the water supply coming out of a reverse osmosis system going to the water inlet valve of the refrigerator needs to be between 30 and 120 psi (207 and 827 kPa).

If a reverse osmosis water filtration system is connected to your cold water supply, the water pressure to the reverse osmosis system needs to be a minimum of 40 to 60 psi (276 to 414 kPa).

If the water pressure to the reverse osmosis system is less than 40 to 60 psi (276 to 414 kPa):

- Check to see whether the sediment filter in the reverse osmosis system is blocked. Replace the filter if necessary.
- Allow the storage tank on the reverse osmosis system to refill after heavy usage.

If you have questions about your water pressure, call a licensed, qualified plumber.

**CONNECT WATER SUPPLY (REFRIGERATOR/FREEZER DRAWERS ONLY)**

**CONNECT TO WATER LINE:**

Do not use with water that is microbiologically unsafe or of unknown quality without adequate disinfection before or after the system. Systems certified for cyst reduction may be used on disinfected waters that may contain filterable cysts.

1. Unplug refrigerator or disconnect power.
2. Turn OFF main water supply. Turn ON nearest faucet long enough to clear line of water.
3. Locate a 1 1/2" to 1 3/4" (3.81 cm to 3.18 cm) vertical cold water pipe near the refrigerator.

**IMPORTANT:**

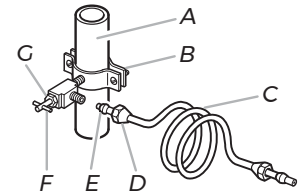
- Connect to potable water supply only.
- Make sure it is a cold water pipe.
- Horizontal pipe will work, but drill on the top side of the pipe, not the bottom. This will help keep water away from the drill and normal sediment from collecting in the valve.

4. Determine the length of copper tubing you need. Measure from the connection on the lower left rear of refrigerator to the water pipe. Add 7 ft (2.1 m) to

allow for cleaning. Use 1/4" (0.63 cm) O.D. (outside diameter) copper tubing. Be sure both ends of copper tubing are cut square.

5. Using a cordless drill, drill a 1/4" hole in the cold water pipe you have selected.

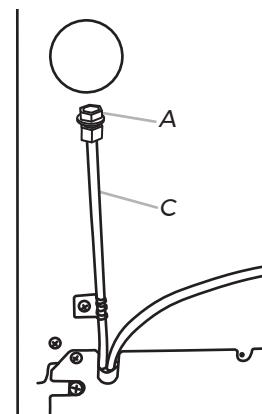
- A- Cold water pipe
- B- Pipe clamp
- C- Copper tubing
- D- Compression nut
- E- Compression sleeve
- F- Shutoff valve
- G- Packing nut



6. Fasten the shutoff valve to the cold water pipe with the pipe clamp. Be sure the outlet end is solidly in the 1/4" drilled hole in the water pipe and that the washer is under the pipe clamp. Tighten the packing nut. Tighten the pipe clamp screws slowly and evenly so washer makes a watertight seal. Do not overtighten or you may crush the copper tubing.
7. Slip the compression sleeve and compression nut on the copper tubing as shown. Insert the end of the tubing into the outlet end squarely as far as it will go. Screw compression nut onto outlet end with adjustable wrench. Do not overtighten.
8. Place the free end of the tubing in a container or sink, and turn ON the main water supply. Flush the tubing until water is clear. Turn OFF the shutoff valve on the water pipe. Coil the copper tubing.

**CONNECT TO REFRIGERATOR:**

1. Attach the copper tubing to the valve inlet using a compression nut and sleeve as shown. Tighten the compression nut. Do not overtighten. Use the tube clamp on the back of the refrigerator to secure the tubing to the refrigerator, as shown. This will help avoid damage to the tubing when the refrigerator is pushed back against the wall.
2. Turn ON shutoff valve.
3. Check for leaks. Tighten any connections (including connections at the valve) or nuts that leak.




- A- Plug with compression nut
- C- Pex tubing

- The ice maker is equipped with a built-in water strainer. If your water conditions require a second water strainer, install it in the 1/4" (0.63 cm) water line at either tube connection. Obtain a water strainer from your nearest appliance dealer.
- Plug in refrigerator drawers or reconnect power.

## MOVE THE REFRIGERATOR DRAWERS TO FINAL LOCATION

- Place top of cardboard carton or plywood under the appliance. Remove dolly.
- Do not remove film or cover.

<b>⚠ WARNING</b>

<b>Electrical Shock Hazard</b>
<b>Plug into a grounded 3 prong outlet.</b>
<b>Do not remove ground prong.</b>
<b>Do not use an adapter.</b>
<b>Do not use an extension cord.</b>
<b>Failure to follow these instructions can result in death, fire, or electrical shock.</b>

- Plug into a grounded 3 prong outlet.

<b>⚠ WARNING</b>
<b>Excessive Weight Hazard</b>
<b>Use two or more people to move and install or uninstall appliance.</b>
<b>Failure to do so can result in back or other injury.</b>

- Move the refrigerator drawers straight back and evenly in front of the opening.

## INSTALL CUSTOM OVERLAY PANEL

### IMPORTANT:

- For standard stainless steel models, skip these instructions and go to "Level The Refrigerator Drawers" section.
- Create a custom overlay panel according to the specifications in "Custom Overlay Drawer Panels."
- JennAir is not responsible for the removal or addition of molding or decorative panels that would not allow access to the refrigerator for service.

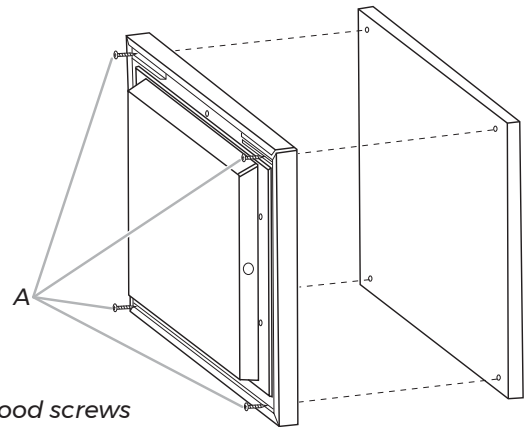
### ATTACH THE OVERLAY PANEL:

**NOTE:** If the overlay hooks are not installed, see "Custom Overlay Drawer Panels" for overlay hook locations. The location of the hooks must be as precise as possible. If the custom panel is incorrectly placed, the panel may interfere with optimal use of the drawers.

- Attach the custom handle of your preference on the overlay before attaching the overlay to the drawer of the refrigerator.

**NOTE:** Custom handles may vary in dimensions. Holes must be made on the panel according to the specific dimensions of your handle.

- Attach the hooks to their corresponding recessions on the panel, using the SS Flat M4x12 screws. Two screws are needed per hook. The hooks must be on the outer edge of the panel.



A- 4 wood screws

- Gently pull back the gasket from the top corners of the door until you can see the screw that is behind the gasket. There is one screw on each side. It is not necessary to remove the gasket.
- Remove the screws behind the gasket (one per side).
- Align the panel to the drawer and position the overlay panel 1/2" (12.5 mm) higher than the door. Position the overlay hooks with the pilot holes and push the hooks into the holes. The drawer has insulant foam in its interior so you may feel some interference while pushing. Push until the hooks go through the foam.
- Push straight down on the overlay panel to secure the overlay hooks to the drawer.
- Using the self-tap wood screws (two per drawer; one in each corner of the drawers), attach the panel to the drawer.

**NOTE:** Do not put the screws removed in step 4 back on the door.

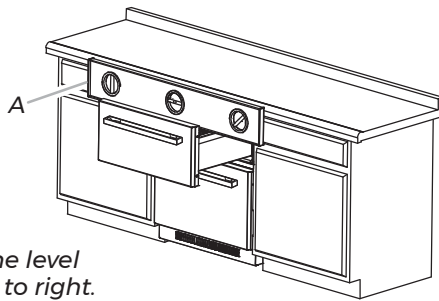
- Once the overlay is securely attached to the drawer with the two screws, put the gasket back in its place by pressing it against the door until the gasket is even and firmly secured.

## LEVEL THE REFRIGERATOR DRAWERS

### IMPORTANT:

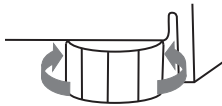
- Overlay Model-Be sure to install the custom overlay drawer panels before leveling the refrigerator drawers. See "Install Custom Overlay Drawer Panels."
- Before installing the refrigerator drawers, be sure that the countertop is level.
- If the countertop is not level, adjust the refrigerator drawers' leveling legs until the appliance is square with the countertop. Be sure to maintain  $\frac{3}{8}$ " (0.95 cm) minimum gap between the top of the drawer and the countertop.

1. Open the top drawer and place the level across the top drawer, as shown. Check the level from left to right.



A- Check the level from left to right.

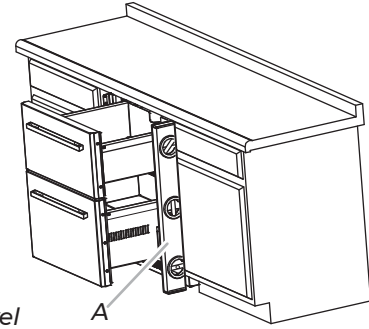
2. Turn the leveling legs (front and back) until the top drawer measures level from left to right.



3. Remove the level and close the top drawer. Check the gap between the top of the drawer and the countertop. If the gap measures less than  $\frac{3}{8}$ " (0.95 cm) minimum, turn all four leveling bolts equally to the left to raise the leveling legs (this will lower the appliance). Recheck the level.

4. Open both drawers less than midway. Place the level on the side flange beside the drawers as shown.

Turn the front leveling bolts together in order to either raise or lower the appliance until the sides of the refrigerator drawers are plumb.



A- Check the level from front to back.

5. Remove the level and close the drawers. Recheck the gap between the top of the drawer and the countertop. If the gap measures less than  $\frac{3}{8}$ " (0.95 cm), turn all four leveling bolts equally to raise the leveling legs (this will lower the appliance). Recheck the level.

**NOTE:** Be sure to recheck the horizontal level of the top drawer.

6. Be sure all four levelers are on the floor and supporting the full weight of the refrigerator drawers.

## COMPLETE INSTALLATION

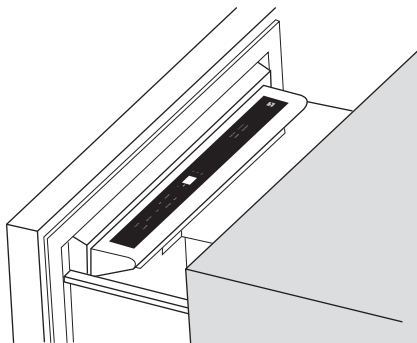
1. Remove all boxes, parts packages and packing materials from the interior of the refrigerator drawers.
2. Remove the film.
3. Clean the refrigerator drawers before use.
4. The controls are preset at the factory to the recommended settings. Be sure that the compressor is operating properly and that all the lights are working.
5. If construction will continue after the refrigerator drawers have been installed, turn OFF the power for both drawers.

To get the most efficient use from your new refrigerator drawers, read the "Refrigerator Drawers Use" section.

# REFRIGERATOR DRAWERS USE

## USING THE CONTROLS

The control panels for both double drawer models are located in the upper drawer. To view and set the Upper and Lower control panel, pull out the upper drawer.

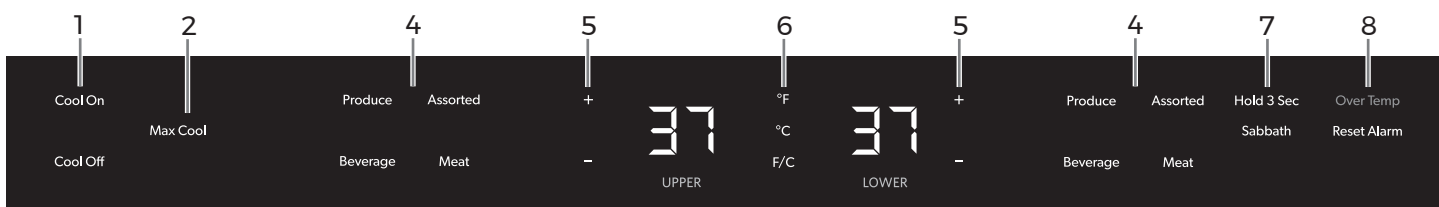


### IMPORTANT:

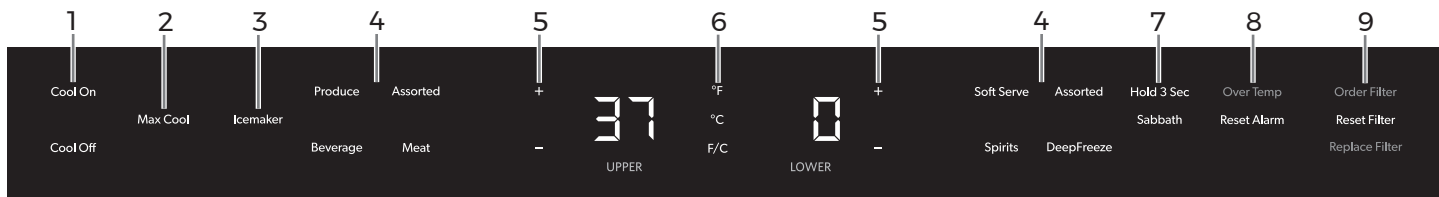
- Wait 24 hours after you turn on the refrigerator drawers before you put food into the drawers. If you add food before the drawers have cooled completely, your food may spoil.

**NOTE:** Adjusting the controls to a lower (colder) setting in one or both drawers will not cool them any faster.

- If the temperature is too warm or too cold in the drawers, first check the air vents to be sure they are not blocked before adjusting the controls.
- The preset settings should be correct for normal household usage. The refrigerator control is set correctly when milk or juice is as cold as you like.
- The freezer control is set correctly when ice cream is firm.
- The actual temperature may differ from the display when a drawer is open for an extended period of time.



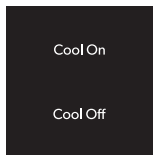
Refrigerator drawer models



Refrigerator/freezer combo models

### 1. Turning drawers On/Off:

- The first time that the refrigerator is plugged in, the control will be in Cool Off mode. Cool On and Cool Off will be the only options that display.
- Press COOL ON to turn on the drawers. All menus and recommended temperature settings will be displayed.
- The left temperature and presets touch pads control the temperature of the upper compartment.
- The right temperature and presets touch pads control the temperature of the lower compartment.



### 2. Max Cool:

The Max Cool feature assists with periods of heavy usage, full grocery loads or temporarily warm room temperatures.

Max Cool will reset the temperature for the refrigerator drawer to 32 °F (0 °C) and -3 °F (-19.4 °C) for the freezer drawer for a 24 hour period.

Press MAX COOL to activate Max Cool feature.

**NOTE:** The temperature display will remain at -3 °F (-19.4 °C) and the indicator light will remain On for a 24-hour period unless any of the following happens:



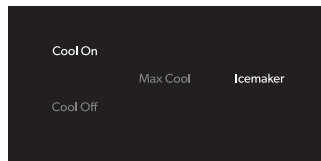
- User adjusts any of the compartment temperatures.
- Cool Off Mode is entered (activated by user).
- Sabbath Mode is entered (activated by user).
- After 24 hours, the temperature will automatically return to the previous temperature set point and the indicator light will turn Off.

**NOTE:** If the previous temperature set point was set to Soft Serve in the freezer drawer, the temperature will return to the recommended temperature 0 °F (-17.7 °C) instead when Max Cool is complete.

### 3. Ice Maker and Water Filtration System (Refrigerator/Freezer Drawers only)

**IMPORTANT:**

After connecting the refrigerator to a water source or replacing the water filter, fill and discard three full containers of ice to prepare the water filter for use before using ice.



**TURNING THE ICE MAKER ON/OFF:**

**IMPORTANT:**

Use the Icemaker touch pad on the control panel to turn on or off the ice maker. Do not adjust the wire arm located on the ice maker.

- Press the ICEMAKER touch pad to turn on the ice maker. The indicator light will illuminate when On.
- Press the ICEMAKER touch pad to turn off the ice maker.

**REMEMBER:**

- Allow 24 hours to produce the first batch of ice.
- The quality of your ice will only be as good as the quality of the water supplied to your ice maker.
- Avoid connecting the ice maker to a softened water supply. Water softener chemicals (such as salt) can damage parts of the ice maker and lead to poor quality ice. If a softened water supply cannot be avoided, make sure the water softener is operating properly and is well maintained.
- Do not store anything in the ice storage bin.
- When the refrigerator is turned ON for the first time, ice maker is turned OFF. (The ice maker indicator light will dim).
- After confirming that water can be automatically supplied to the ice maker (connecting the refrigerator to the water source or replacing the water filter, press the ICEMAKER touchpad to turn on the ice maker. (The indicator light will illuminate). When the water cannot be supplied automatically (not connecting to the water source, etc.) and the ice box is not filled with ice, if the ice maker is turned ON, the ice maker will continue to operate and the internal heater of ice maker will operate frequently. This will heat up the

refrigerator, increasing the compressor running rate and power consumption. If you do not need the ice making (including not automatically supplying water), you should turn OFF the ice maker. (The indicator light will dim).

### 4. Using Presets:

For your convenience, each drawer also has controls that are preset to recommended storage temperatures for specific products.



Style 1: Refrigerator drawer models



Style 2: Refrigerator/freezer combo models

Pressing any preset option will set the temperature value to recommended temperature for each category:

**Refrigerator drawers:**

- Produce: 39 °F (3.8 °C)
- Assorted: 37 °F (2.7 °C)
- Beverage: 34 °F (1 °C)
- Meat: 32 °F (0 °C)

**Freezer drawer:**

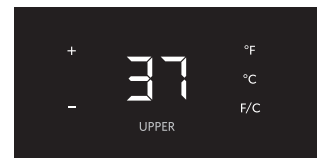
- Soft Serve: 6 °F (-14.4 °C)

**NOTE:** Soft Serve is a temporary temperature setting that will only last for 4 hours and returns to the previous temperature set point when complete.

- Assorted: 0 °F (-17.7 °C)
- Spirits: -2 °F (-18.8 °C)
- Deep Freeze: -8 °F (-22 °C)

### 5. Adjusting the Temperatures:

When the refrigerator drawers are turned On for the first time, a recommended temperature is set by default. The controls adjust the temperature of both compartments independently.



To adjust set point temperatures, press "+" (plus) or "-" (minus) until the desired temperature setting is reached.

**Model JUDFP242\***

**NOTE:** The set point for the double refrigerator drawers model is 37 °F (2 °C). The set point range for this model is 32 °F to 42 °F (0 °C to 5 °C) for both compartments.



## Model JUCFP242\*

### NOTES:

- The set point for the refrigerator/freezer drawers model is 37 °F (2 °C) for the refrigerator drawer and 0 °F (-17 °C) for the freezer drawer. The set point range for the refrigerator/freezer drawers model is 32 °F to 42 °F (0 °C to 5 °C) for the refrigerator drawer and -8 °F to 6 °F (-22 °C to -14 °C) for the freezer drawer.
- Wait at least 24 hours between adjustments for the product to acclimate.

## 6. Viewing Celsius temperatures:

- Press the F/C touch pad to toggle between displaying the temperature in degrees Fahrenheit and degrees Celsius. The corresponding indicator will illuminate.

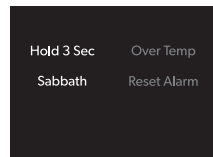


A. F/C touch pad

## 7. Sabbath Mode:

Sabbath Mode is designed for the traveler or for those whose religious observances require turning off the lights. By selecting this feature, the temperature set points remain unchanged but the control panel lights, interior lights, and control audio turn off. For most efficient refrigerator drawers operation, it is recommended to exit the Sabbath Mode when it is no longer required.

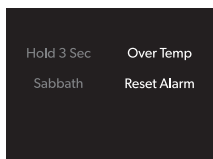
- Press and hold SABBATH for 3 seconds to turn on the feature. After the 3-second countdown, the feature will activate and all other displays will turn Off.
- Press and hold SABBATH for 3 seconds to turn off the feature and turn on the display.



## 8. Over Temp Alarm:

**NOTE:** If the Over Temp Alarm activates, your food may spoil. See "Power Interruptions". Minimize opening of drawers until temperatures return to normal.

The Over Temperature feature is designed to let you know when either the refrigerator drawer temperature rises above 45 °F (7 °C) or the freezer drawer temperature rises above 6 °F (-14.4 °C) for 4 hours or longer. The audio alarm will shut off automatically when the temperature returns to normal. To let you know an Over Temperature condition occurred, the indicator light will continue to flash until the Reset Alarm touch pad is pressed. If the over temperature condition is still present when an Over Temp reset is performed, the indicator light

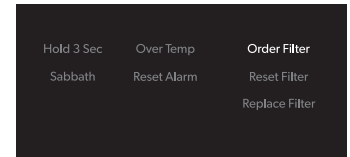


will continue to reactivate every 4 hours until refrigerator and freezer temperatures are below 45 °F (7 °C) and 15 °F (-9 °C), respectively.

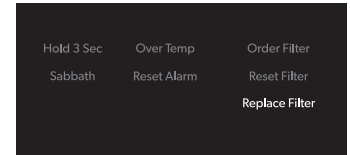
**NOTE:** These features will not appear on your control unless your refrigerator is over temperature and the alarm requires a reset.

## 9. Water Filter Indicator/Reset Filter:

The water filter indicator light will help you know when to change your water filter. The indicator light will change from dark to yellow when it is time to order a new filter.



The indicator light will then change from yellow to red when it is time to replace the water filter.



The disposable water filter should be replaced at least every 6 months. After replacing the water filter, reset the water filter indicator.

Press and hold RESET FILTER for 3 seconds. The indicator light will turn Off.

**NOTE:** These features will not appear on your control unless you need to order or replace your filter.

## Water Filtration System:

Do not use with water that is microbiologically unsafe or of unknown quality without adequate disinfection before or after the system.

## Drawer open:

If any drawer is open longer than 5 minutes, an alarm will sound every 2 minutes until all drawers are closed or any control is pressed.

## Showroom Mode:

This mode is used only when the refrigerator is on display in a retail store. If you unintentionally turn on Showroom Mode, Cool Off will light up on the display, and the controls will appear to work. Exit Showroom Mode by pressing and holding COOL ON and SABBATH at the same time for 3 seconds.

## NORMAL SOUNDS

Your new refrigerator drawers may make sounds that your old refrigerator drawers didn't. Because the sounds are new to you, you might be concerned about them. Most of the new sounds are normal. Hard surfaces, such as the floor, walls, and cabinets, can make the sounds seem louder. The following describes the kinds of sounds and what may be making them.

- Your refrigerator drawers are designed to run more efficiently to keep your food items at the desired temperatures and to minimize energy usage. The high efficiency compressor and fans may cause your refrigerator drawers to run longer than your old ones. You may also hear a pulsating or high-pitched sound from the compressor or fans adjusting to optimize performance.
- You may hear the evaporator fan motor circulating air through the refrigerator drawers. The fan speed may increase as you open the drawers or add warm food.
- As each cycle ends, you may hear a gurgling sound due to the refrigerant flowing through the sealed system tubing.
- Contraction and expansion of the inside walls may cause a popping noise.
- You may hear air being forced over the condenser by the condenser fan.
- You may hear water running into the drain pan during the Off cycle.

## ENSURING PROPER AIR CIRCULATION

In order to ensure proper temperatures, you need to permit airflow inside the drawers.

Do not block any airflow vents. If the vents are blocked, airflow will be obstructed and temperature and moisture problems may occur.

### IMPORTANT:

To avoid odor transfer and drying out of food, wrap or cover foods tightly.

## ICE MAKER

### USING THE ICE MAKER WITHOUT THE WATER FILTER

You can run the ice maker without a water filter. Your water will not be filtered.


1. Slide the filter cap off the end of the water filter. With the filter cap in the horizontal position, insert the cap into the base grille until it stops.

### IMPORTANT:

Do not discard the cap. It is part of your refrigerator. Keep the cap to use with a replacement filter.

# CARE AND CLEANING

## CLEANING

<b>⚠ WARNING</b>

<b>Explosion Hazard</b>
<p><b>Risk of fire or explosion.</b></p> <p><b>Flammable refrigerant used.</b></p> <p><b>Do not use mechanical devices to defrost refrigerator.</b></p> <p><b>Do not puncture refrigerant tubing.</b></p>

The drawers defrost automatically. However, clean both drawers about once a month to avoid buildup of odors. Wipe up spills immediately.

### TO CLEAN YOUR DOUBLE DRAWER:

1. Unplug double drawer or disconnect power.
  2. Hand wash, rinse, and dry removable parts and interior surfaces thoroughly. Use a clean sponge or soft cloth and a mild detergent in warm water.
- To avoid damaging wooden tines and trim pieces, wipe them off with a clean sponge or soft cloth and warm water.

- Do not use abrasive or harsh cleaners such as window sprays, scouring cleansers, flammable fluids, cleaning waxes, concentrated detergents, bleaches or cleansers containing petroleum products on plastic parts, interior and door liners or gaskets. Do not use paper towels, scouring pads, or other harsh cleaning tools. These can scratch or damage materials.
  - To help remove odors, you can wash interior walls with a mixture of warm water and baking soda [2 tbs to 1 qt (26 g to 0.95 L) of water].
3. Wash stainless steel and painted metal exteriors with a clean sponge or soft cloth and a mild detergent in warm water. Do not use abrasive or harsh cleaners, or cleaners containing chlorine. These can scratch or damage materials. Dry immediately with a soft, dry cloth to absorb any remaining water.

**NOTE:** To keep your stainless steel drawers looking like new and to remove minor scuffs or marks, it is recommended that you use the manufacturer's approved Stainless Steel Cleaner and Polish. To order the cleaner, refer "Accessories" section.

### IMPORTANT:

- This cleaner is for stainless steel parts only!
- Do not allow the Stainless Steel Cleaner and Polish to come into contact with any plastic parts such as the trim pieces, dispenser covers or door gaskets. If unintentional contact does occur, clean plastic part with a sponge and mild detergent in warm water. Dry immediately with a soft, dry cloth to absorb any remaining water.



## CONDENSER CLEANING:

### **⚠ WARNING**



#### **Explosion Hazard**

**Risk of fire or explosion due to puncture of refrigerant tubing.**

**Follow handling instructions carefully.**

**Flammable refrigerant used.**

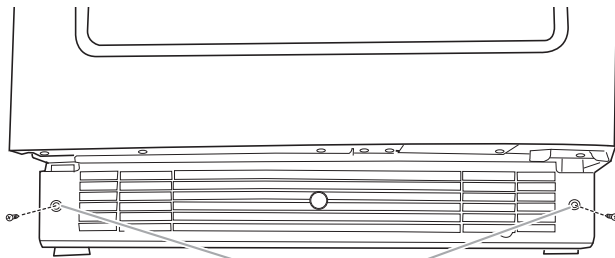
1. Remove the base grille to access condenser for cleaning. Refer "Removing Base Grille" section.
2. Clean the condenser coils regularly. They are located behind the base grille. Coils may need to be cleaned as often as every other month. This may help save energy.

## REMOVING BASE GRILLE

You must remove the base grille to access the condenser coils for cleaning.

### TO REMOVE THE BASE GRILLE:

1. Open the double drawer door.



A. Screws

2. Using a Phillips screwdriver, remove the two screws.
3. Remove the base grille.

### TO REPLACE THE BASE GRILLE:

1. Open the double drawer door.
2. Position the base grille so that both tabs align and the base grille snaps into place. Replace two screws. Tighten the screws.

## CHANGING THE WATER FILTER:

The water filter is located through the base grille. You do not have to remove the base grille in order to change the water filter.

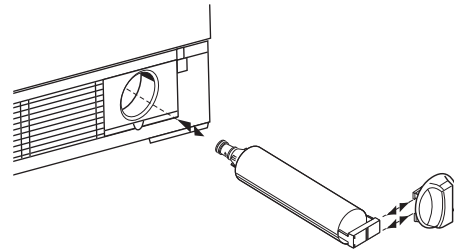
1. Locate the water filter cap in the front base grille. Rotate the cap counterclockwise to a vertical position and pull the cap and water filter out through the base grille.

**NOTE:** There will be water in the filter. Some spilling may occur.

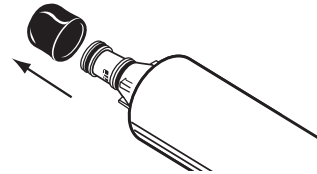
2. Remove the filter cap by sliding it off the end of the old filter. The cap will slide to the left or right.

### **IMPORTANT:**

Do not discard the cap. It is part of your refrigerator. Keep the cap to use with the replacement filter.

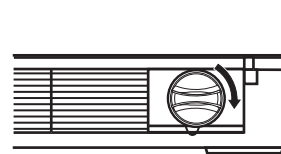


3. Take the new water filter out of its packaging and remove the cover from the O-rings.



4. Slide the filter cap onto the new water filter. See the illustration in Step 2.

With the filter cap in the vertical position, insert the new filter into the base grille until it stops. Rotate the cartridge cap clockwise to a horizontal position.



## USING THE ICE MAKER WITHOUT THE WATER FILTER:

You can run the ice maker without a water filter. Your water will not be filtered.

Slide the filter cap off the end of the water filter. With the filter cap in the horizontal position, insert the cap into the base grille until it stops.

### **IMPORTANT:**

Do not discard the cap. It is part of your refrigerator. Keep the cap to use with a replacement filter.

## POWER INTERRUPTIONS

If the power will be out for 24 hours or less, keep both refrigerator drawers closed to help food stay cold.

If the power will be out for more than 24 hours, do one of the following:

- Place all perishable food in a food locker or cooler with dry ice.
- If neither a food locker or cooler is available, consume food if still cold or throw away perishable food at once.

## VACATION CARE

If you choose to turn the refrigerator drawers off before you leave, follow these steps:

1. Remove all from the double drawer.
2. Unplug the double drawer.
3. Clean the double drawer. Refer "Cleaning" section.

4. Tape a rubber or wood block to the top of the door to prop it open far enough for air to get in. This stops odor and mold from building.

## MOVING CARE


When you are moving your double drawer to a new home, follow these steps to prepare it for the move.


1. Remove all from the double drawer.
2. Unplug the double drawer.
3. Clean, wipe, and dry it thoroughly.
4. Take out all removable parts, wrap them well, and tape them together so they don't shift and rattle during the move.
5. Tape the doors shut and tape the power cord to the double drawer.


When you get to your new home, put everything back and refer to the "Installation Instructions" received with the double drawer.

# TROUBLESHOOTING

Try the solutions suggested here first in order to avoid the cost of an unnecessary service call.

<b>⚠ WARNING</b>

<b>Electrical Shock Hazard</b>
Plug into a grounded 3 prong outlet. Do not remove ground prong. Do not use an adapter. Do not use an extension cord. Failure to follow these instructions can result in death, fire, or electrical shock.

<b>⚠ WARNING</b>

<b>Explosion Hazard</b>
Risk of fire or explosion due to puncture of refrigerant tubing. Follow handling instructions carefully. Flammable refrigerant used.

<b>⚠ WARNING</b>

<b>Explosion Hazard</b>
Risk of fire or explosion. Flammable refrigerant used. Do not use mechanical devices to defrost Refrigerator. Do not puncture refrigerant tubing.

<b>⚠ WARNING</b>

<b>Explosion Hazard</b>
Use nonflammable cleaner. Failure to do so can result in death, explosion, or fire.

## GENERAL OPERATION

### DOUBLE DRAWER WILL NOT OPERATE

- **Power supply cord unplugged?** Plug into a grounded 3 prong outlet.
- **Is outlet working?** Plug in a lamp to see if the outlet is working.

- **Household fuse blown, or a circuit breaker tripped?** Replace the fuse or reset the circuit. If the problem continues, call an electrician.
- **Are controls on?** Be sure that the refrigerator drawers controls are on. Refer “Controls” section.
- **Is the refrigerator control set to the Cool Off setting?** See “Using the Controls.”
- **Are the refrigerator drawers not cooling?** Turn them off then on again to reset. See “Using the Controls.” If this does not correct the problem, call for service.

#### THE MOTOR SEEMS TO RUN TOO MUCH

- **Is the temperature outside hotter than normal?** Expect the motor will run longer under warm conditions. At normal temperatures, expect your motor to run about 40 % to 80 % of the time. Under warmer conditions, expect it to run even more of the time.
- **Has a large amount of food just been added to the refrigerator drawers?** Adding a large amount of food warms the refrigerator drawers. The motor normally will run longer to cool the refrigerator drawers back down.
- **Are the drawers opened often?** The motor will run longer when this occurs. Conserve energy by getting all items out at one time, keeping food organized, and closing the drawer as soon as possible.
- **Are the controls not set correctly for the surrounding conditions?** Refer “Controls” section.
- **Are the drawers not closed completely?** Close the drawers firmly. If they do not close completely, see “The drawers will not close completely” later in this section.
- **Are the drawer gaskets not sealed all the way around?** Contact a technician or other qualified person.

#### THE REFRIGERATOR DRAWERS SEEMS TO MAKE TOO MUCH NOISE

- **The sounds may be normal for your refrigerator drawers.** See “Normal Sounds.”

#### THE DIVIDER BETWEEN THE TWO COMPARTMENTS IS WARM

- **The warmth is probably due to normal operation of the automatic exterior moisture control?** If still concerned, call for service.

#### TEMPERATURE IS TOO WARM

- **Are the air vents blocked in either compartment?** This obstructs cold air movement between the compartments. Remove any objects from in front of the air vents. See “Ensuring Proper Air Circulation” for the location of air vents.
- **Are the drawers opened often?** The refrigerator drawers will warm when this occurs. Keep the refrigerator drawers cool by getting all items out at

one time, keeping food organized, and closing the door as soon as possible.

- **Has a large amount of food just been added to the refrigerator drawers?** Adding a large amount of food warms the refrigerator drawers. It can take several hours for the refrigerator drawers to return to the normal temperature.
- **Are the controls set correctly for the surrounding conditions?** See “Using the Controls.”
- **Are the refrigerator drawers not cooling?** Turn them off then on again to reset. See “Using the Controls.” If this does not correct the problem, call for service.
- **Are ice maker operated?** When ice maker is operated, the heat of ice maker is added to the refrigerator. The motor normally will run longer in order to make the ice. If the ice maker is turned ON when the water cannot be supplied automatically (not connecting to the water source, etc.), the heat of ice maker will be added to the refrigerator, the motor will run longer and the energy consumption will increase. See “Turning the Ice Maker ON/OFF”.

#### THERE IS INTERIOR MOISTURE BUILDUP

- **Are the air vents blocked in the refrigerator drawers?** Remove any objects from in front of the air vents. See “Ensuring Proper Air Circulation” for the location of air vents.
- **Are the drawers opened often?** Avoid humidity buildup by getting all items out at one time, keeping food organized, and closing the drawer as soon as possible.
- **Is the room humid?** It is normal for moisture to build up inside the refrigerator drawers when the room air is humid.
- **Is the food packaged correctly?** Check that all food is securely wrapped. Dry damp food containers before placing in the refrigerator drawers.
- **Are the controls set correctly for the surrounding conditions?** See “Using the Controls.”

## DRAWERS

#### THE DRAWERS WILL NOT CLOSE COMPLETELY

- **Are food packages blocking the drawer open?** Rearrange containers so that they fit more tightly and take up less space.

#### THE DRAWERS ARE DIFFICULT TO OPEN

- **Are the gaskets dirty or sticky?** Clean gaskets and the surface that they touch. Rub a thin coat of paraffin wax on the gaskets following cleaning.

# ASSISTANCE

## IF YOU NEED SERVICE:

Before calling for assistance or service, please check "Troubleshooting." It may save you the cost of a service call. If you still need help, follow the instructions below.

When calling, please know the purchase date and the complete model and serial number of your appliance. This information will help us to better respond to your request. Please refer to the warranty page in this manual for more information on service.

## IF YOU NEED REPLACEMENT PARTS:

Component parts should be replaced with like components and servicing should be done by factory authorized service personnel, so as to minimize the risk of possible ignition due to incorrect parts or improper service.

## IN THE U.S.A.

Call the JennAir Customer eXperience Center toll free at: **1-800-JENNAIR (1-800-536-6247)**, or visit our website at **www.jennair.com**

### OUR CONSULTANTS PROVIDE ASSISTANCE WITH:

- Features and specifications on our full line of appliances.
- Installation information.
- Use and maintenance procedures.
- Accessory and repair parts sales.
- Specialized customer assistance (Spanish speaking, hearing impaired, limited vision, etc.).
- Referrals to local dealers, repair parts distributors, and service companies. JennAir designated service technicians are trained to fulfill the product warranty and provide after-warranty service, anywhere in the United States.

To locate the JennAir designated service company in your area, you can also look in your telephone directory Yellow Pages.

### FOR FURTHER ASSISTANCE

If you need further assistance, you can write to JennAir with any questions or concerns at:

JennAir Brand Home Appliances  
Customer eXperience Center  
553 Benson Road  
Benton Harbor, MI 49022-2692

Please include a daytime phone number in your correspondence.

## IN CANADA

Call the JennAir Canada Customer eXperience Centre toll free: **1-800-JENNAIR (1-800-536-6247)**.

### OUR CONSULTANTS PROVIDE ASSISTANCE WITH:

- Features and specifications on our full line of appliances.
- Use and maintenance procedures.
- Accessory and repair parts sales.
- Referrals to local dealers, repair parts distributors, and services companies. JennAir Canada designated service technicians are trained to fulfill the product warranty and provide after-warranty service, anywhere in Canada.

### FOR FURTHER ASSISTANCE

If you need further assistance, you can write to JennAir Canada with any questions or concerns at:

JennAir Canada  
Customer eXperience Centre  
200 - 6750 Century Ave.  
Mississauga, Ontario L5N 0B7

Please include a daytime phone number in your correspondence.

## ACCESSORIES

To order accessories, call **1-800-JENNAIR (1-800-536-6247)**, and ask for the appropriate part number listed below or contact your authorized JennAir dealer.

### REPLACEMENT WATER FILTER:

Order Part #4396701

### AFFRESH® KITCHEN & APPLIANCE CLEANER:

In U.S.A., order part #W10355010

In Canada, order part #W10355010B

### AFFRESH® STAINLESS STEEL CLEANER:

In U.S.A., order part #W10355016

In Canada, order part #W10355016B

# PRODUCT DATA SHEETS

## Base Grille Water Filtration System

**Model WF-L200V capacity 200 gallons (757 liters)**

**Model WF-NL120V capacity 120 gallons (454 liters)**



Tested and certified by NSF International against ANSI/NSF Standard 42 for the reduction of Chlorine, Taste and Odor, Particulate Class III\*; and against ANSI/NSF Standard 53 for the reduction of Lead, Mercury, Benzene, and p-dichlorobenzene.

This system has been tested according to ANSI/NSF 42/53 for the reduction of the substances listed below. The concentration of the indicated substances in water entering the system was reduced to a concentration less than or equal to the permissible limit for water leaving the system, as specified in ANSI/NSF 42/53.

Substance Reduction	NSF Reduction Requirements	Average Influent	Influent Challenge Concentration	Maximum Effluent	Average Effluent	Minimum % Reduction	Average % Reduction
Aesthetic Effects							
Chlorine Taste/ Odor Particulate Class III*	≥ 50 % ≥ 85 %	1.9 mg/L 49,333/mL	2.0 mg/L ± 10 % At least 10,000 particles/mL	0.07 mg/L 640 mg/L**	0.06 mg/L 312 mg/L	>75.0 % 98.7 %	>75.0 % 99 %

Contaminant Reduction	NSF Reduction Requirements	Average Influent	Influent Challenge Concentration	Maximum Effluent	Average Effluent	Minimum % Reduction	Average % Reduction
Lead: @ pH 6.5 Lead: @ pH 8.5	0.01 mg/L 0.01 mg/L	0.14 mg/L*** 0.15 mg/L***	0.15 mg/L ± 10 % 0.15 mg/L ± 10 %	0.0014 mg/L 0.0069 mg/L	0.0011 mg/L 0.0042 mg/L	99.0 % 95.4 %	99.21 % 97.08 %
Mercury: @ pH 6.5 Mercury: @ pH 8.5	0.002 mg/L 0.002 mg/L	0.0059 mg/L 0.0054 mg/L	0.006 mg/L ± 10 % 0.006 mg/L ± 10 %	0.0009 mg/L 0.0007 mg/L	0.0004 mg/L 0.00043 mg/L	84.74 % 87.03 %	92.47 % 91.93 %
Benzene	0.0050 mg/L	0.0157 mg/L	0.015 ± 10 %	0.002 mg/L	0.00083 mg/L	87.26 %	87.26 %
p-dichlorobenzene	0.075 mg/L	0.210 mg/L	0.225 ± 10 %	0.0005 mg/L	0.0005 mg/L	99.76 %	99.76 %

Test Parameters: pH = 7.5 ± 0.5 unless otherwise noted. Flow = 0.5 gpm (1.9 Lpm). Pressure = 60 psig (413.7 kPa). Temp. = 63 °F (17.2 °C).

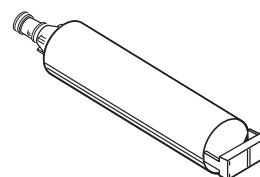
### APPLICATION GUIDELINES/WATER SUPPLY PARAMETERS

- It is essential that operational, maintenance, and filter replacement requirements be carried out for the product to perform as advertised.
- Model WF-L200V:** The filter monitor system measures the amount of water that passes through the filter and alerts you to replace the filter. When 90 % of the filter's rated life is used, the filter indicator light changes from green to yellow. When 100 % of the filter's rated life is used, the filter indicator light changes from yellow to red, and it is recommended that you replace the filter. Use replacement cartridge L200V / NL120V, part #4396702. 2014 suggested retail price of \$32.99 U.S.A./ \$49.99 Canada. Prices are subject to change without notice.

**Model WF-NL120V:** Change the water filter cartridge every 6-9 months. Use replacement cartridge L200V / NL120V, part #4396702. 2014 suggested retail price of \$32.99 U.S.A./ \$49.99 Canada. Prices are subject to change without notice.

- The product is for cold water use only.
- Do not use with water that is microbiologically unsafe or of unknown quality without adequate disinfection before or after the system.
- Refer to the front cover or "Accessories" section for the Manufacturer's name, address and telephone number.
- Refer to the "Warranty" section for the Manufacturer's limited warranty.

Water Supply	City or Well
Water Pressure	30 - 120 psi (207 - 827 kPa)
Water Temperature	33 °F - 100 °F (0.6 °C - 37.8 °C)
Service Flow Rate	0.5 GPM (1.89 L/min.) @ 60 psi. (413.7 kPa)



Class III particle size: >5 to <15 um

\*\*Test requirement is at least 10,000 particles/mL of AC Fine Test Dust.

\*\*\*These contaminants are not necessarily in your water supply. Performance may vary based on local water conditions.

©NSF is a registered trademark of NSF International.



# DOUBLE TIROIR

## GUIDE D'UTILISATION ET D'ENTRETIEN ET INSTRUCTIONS D'INSTALLATION

MERCI d'avoir acheté ce produit de haute qualité. Enregistrez votre nouveau tiroir double sur [www.jennair.com](http://www.jennair.com)  
Au Canada, enregistrez votre double tiroir sur [www.jennair.ca](http://www.jennair.ca)

Pour référence ultérieure, veuillez noter le modèle et les numéros de série de votre produit. Ceux-ci peuvent être situés sur la paroi intérieure du compartiment à double tiroir.

Numéro de modèle \_\_\_\_\_ Numéro de série \_\_\_\_\_

### TABLE DES MATIÈRES

SÉCURITÉ DU DOUBLE TIROIR.....	23
Mise au Rebut de Votre Vieux Double Tiroir.....	24
SPÉCIFICATIONS DU DESIGN.....	24
EXIGENCES D'INSTALLATION.....	25
Outils et Pièces.....	25
Exigences d'Emplacement.....	25
Dimensions du Produit.....	26
Panneaux de Superposition Personnalisés des Tiroirs...	27
Spécifications Électriques.....	28
INSTRUCTIONS D'INSTALLATION.....	28
Déballage du Double Tiroir.....	28
Exigences d'Approvisionnement en Eau.....	28
Connexion d'Approvisionnement en Eau.....	29
Déplacement du Double Tiroir à sa	
Localisation Finale.....	30
Installer le Panneau de Superposition Personnalisé.....	30
Nivellement du Double Tiroir.....	31
Achèvement de l'Installation.....	31
UTILISATION DU DOUBLE TIROIR.....	32
Utilisation des Commandes.....	30
Bruits Normaux.....	34
Comment Assurer la Circulation Appropriée de l'Air...	35
Machine à Glaçon.....	35
ENTRETIEN ET NETTOYAGE.....	35
Nettoyage.....	35
Nettoyage du Condensateur.....	36
Enlever la Grille de la Base.....	36
Coupures de Courant.....	37
Soins de Vacances.....	37
Précautions à Prendre Avant un Déménagement.....	37
DÉPANNAGE.....	37
ASSISTANCE.....	39
Aux États-Unis.....	39
Au Canada.....	39
Accessoires.....	39
FICHES TECHNIQUES DU PRODUIT.....	40



# SECURITÉ DU DOUBLE TIROIR

## Votre sécurité et celle des autres est très importante.

Nous donnons de nombreux messages de sécurité importants dans ce manuel et sur votre appareil ménager. Assurez-vous de toujours lire tous les messages de sécurité et de vous y conformer.



Voici le symbole d'alerte de sécurité.

Ce symbole d'alerte de sécurité vous signale les dangers potentiels de décès et de blessures graves à vous et à d'autres. Tous les messages de sécurité suivront le symbole d'alerte de sécurité et le mot "DANGER" ou "AVERTISSEMENT". Ces mots signifient:

**⚠ DANGER**

**Risque possible de décès ou de blessure grave si vous ne suivez pas immédiatement les instructions.**

**⚠ AVERTISSEMENT**

**Risque possible de décès ou de blessure grave si vous ne suivez pas les instructions.**

Tous les messages de sécurité vous diront quel est le danger potentiel et vous disent comment réduire le risque de blessure et ce qui peut se produire en cas de non-respect des instructions.

## IMPORTANTES INSTRUCTIONS DE SÉCURITÉ

**AVERTISSEMENT:** Pour réduire les risques d'incendie, de décharge électrique ou de blessures lors de l'utilisation du double tiroir, prendre quelques précautions fondamentales, y compris les suivantes:

- Brancher sur une prise de courant à 3 alvéoles, reliée à la terre.
- Ne pas enlever la prise de liaison à la terre.
- Ne pas utiliser d'adaptateur.
- Ne pas utiliser de rallonge.
- Déconnecter la source de courant électrique avant l'entretien.
- Replacer pièces et panneaux avant de faire la mise en marche.
- Enlever les portes de votre ancien double tiroir.
- Utiliser un produit de nettoyage ininflammable.
- Ne pas utiliser ou conserver d'essence ni de liquides ou gaz inflammables à proximité de cet ou d'autres appareils électriques. Les fumées peuvent causer des incendies ou des explosions.
- Ne pas conserver de substances explosives, par exemple des bombes aérosols contenant un agent propulseur, dans ce double tiroir.
- Ne pas utiliser ni placer dans les compartiments du double tiroir des dispositifs électriques d'un type autre que celui expressément autorisé par le fabricant.
- Utiliser deux personnes ou plus pour déplacer et installer le double tiroir.
- Cet appareil ne convient pas à une utilisation par des personnes (y compris des enfants) à capacités physiques, sensorielles ou mentales réduites, ou possédant un manque d'expérience et de connaissances, à moins qu'elles ne soient placées sous supervision ou qu'elles aient reçu des instructions concernant l'utilisation de l'appareil par une personne responsable de leur sécurité.
- Les enfants doivent être placés sous surveillance afin de s'assurer qu'ils ne jouent pas avec l'appareil.
- Pour éviter le risque que des enfants restent enfermés à l'intérieur et s'asphyxient, ne pas les laisser jouer ou se cacher dans le double tiroir.
- Si le cordon d'alimentation est endommagé, il doit être remplacé par le fabricant ou son technicien d'entretien ou une personne possédant une qualification similaire.
- Les prises d'air de l'enceinte de l'appareil ou de la structure encastré doivent être dégagées en tout temps.
- Ne pas utiliser d'appareils mécaniques ou d'autres moyens pour accélérer le dégivrage que ceux recommandés par le fabricant.
- Ne pas endommager le circuit frigorifique.
- Pour les modèles avec glace/eau: Connectez uniquement à l'alimentation en eau potable.

**CONSERVER CES INSTRUCTIONS**

## MISE AU REBUT DE VOTRE VIEUX DOUBLE TIROIR

**AVERTISSEMENT: Risque de coincement de l'enfant. Avant de jeter votre ancien Double Tiroir:**

- Retirez la porte ou les tiroirs:
- Laissez les étagères en place afin que les enfants ne puissent pas facilement grimper à l'intérieur.

### **⚠ AVERTISSEMENT**

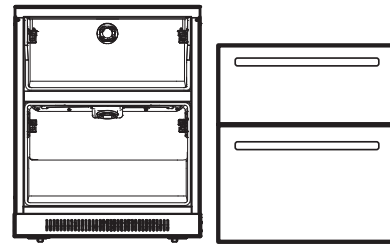
#### **Risque de Suffoquer**

Enlevez les portes, les tiroirs ou le couvercle de votre ancien appareil.

**Le non-respect de cette instruction peut causer un décès ou des lésions cérébrales.**

**IMPORTANT:** Le risque qu'un enfant puisse se retrouver coincé et suffoquer n'est pas chose du passé.

Les réfrigérateurs jetés ou abandonnés restent dangereux, même s'ils ne restent à l'extérieur que pour "quelques jours seulement". Si l'ancien double tiroir doit être mis au rebut, suivre les instructions suivantes afin d'éviter les accidents.



#### **Renseignements importants à propos de la mise au rebut des fluides réfrigérants:**

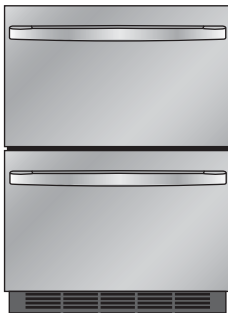
Mettre le réfrigérateur au rebut conformément à la réglementation fédérale et locale. Les fluides réfrigérants doivent être évacués par un technicien certifié et agréé par l'EPA conformément aux procédures établies.

## SPÉCIFICATIONS DU DESIGN

### RÉFRIGÉRATEUR À DOUBLE TIROIRS:

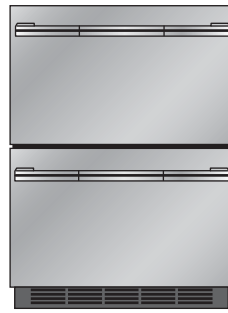
Un réfrigérateur à double tiroirs fournit des options de stockage additionnelles dans la cuisine et dans autres pièces de la maison.

**Porte en acier inoxydable  
Modèle Noir™**



**JUDFP242HM11**

**Porte en acier inoxydable  
Modèle Rise™**



**JUDFP242HL11**

**Porte Superposée**



**JUDFP242HX11**

### RÉFRIGÉRATEUR/CONGÉLATEUR À TIROIR: (AVEC FABRIQUE À GLACE ET FILTRE À EAU)

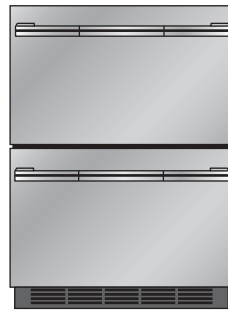
Le tiroir de réfrigération supérieur et le tiroir de congélation inférieur fournissent des options de stockage additionnelles dans votre cuisine ou dans autres pièces de la maison. La machine à glaçons installée en usine dans le tiroir inférieur assure un approvisionnement constant et immédiat de glaçons tout le temps.

**Porte en acier inoxydable  
Modèle Noir™**



**JUCFP242HM11**

**Porte en acier inoxydable  
Modèle Rise™**



**JUCFP242HL11**

**Porte Superposée**



**JUCFP242HX11**



# EXIGENCES D'INSTALLATION

## OUTILS ET PIÈCES

Rassembler les outils et pièces nécessaires avant d'entreprendre l'installation.

Lisez et suivez les instructions fournies avec les outils répertoriés ici.

### OUTILS ET PIÈCES NÉCESSAIRES:

- Tournevis Phillips.
- Perceuse sans fil
- Foret de 1/8"
- Mètre ruban
- Niveau

### OUTILS ADDITIONNELS NÉCESSAIRES (PANNEAU DE RECOUVREMENT PERSONNALISÉ UNIQUEMENT):

- Ciseaux
- Crayon
- Pointe à tracer

### PIÈCES NÉCESSAIRES (PANNEAU DE RECOUVREMENT PERSONNALISÉ UNIQUEMENT):

- Panneaux de tiroir superposés personnalisés  
Voir "Panneaux de tiroir superposés personnalisés"
- Quincaillerie

### PIÈCES NÉCESSAIRES (PANNEAU DE RECOUVREMENT PERSONNALISÉ UNIQUEMENT) :

- Crochets (8)
- Vis (16)
- Vis à bois autotaraudeuses (4)

## EXIGENCES D'EMPLACEMENT

### ⚠ AVERTISSEMENT



#### Risque d'Explosion

Garder les matériaux et les vapeurs inflammables, telle que l'essence, loin la double tiroir.

Le non-respect de cette instruction peut causer un décès, une explosion ou un incendie.

### IMPORTANT:

Cet appareil est destiné à un usage domestique et à d'autres usages similaires comme:

- Espace de cuisine pour personnel de boutiques, bureaux et autres environnements professionnels.
- Fermes et par les clients des hôtels, motels et autres environnements de type résidentiel.
- Environnements de type chambres d'hôtes.
- Banquets et autres utilisations non commerciales semblables.

### REMARQUES:

- Lorsqu'on souhaite placer le double tiroir en affil eurement avec la façade des armoires inférieures, enlever toutes les moulures et plinthes à l'arrière de l'ouverture. Voir "Dimensions du produit" et plus loin dans cette section "Dimensions de l'ouverture".
- On recommande de ne pas installer le double tiroir près d'un four, d'un radiateur ou de toute autre source de chaleur.

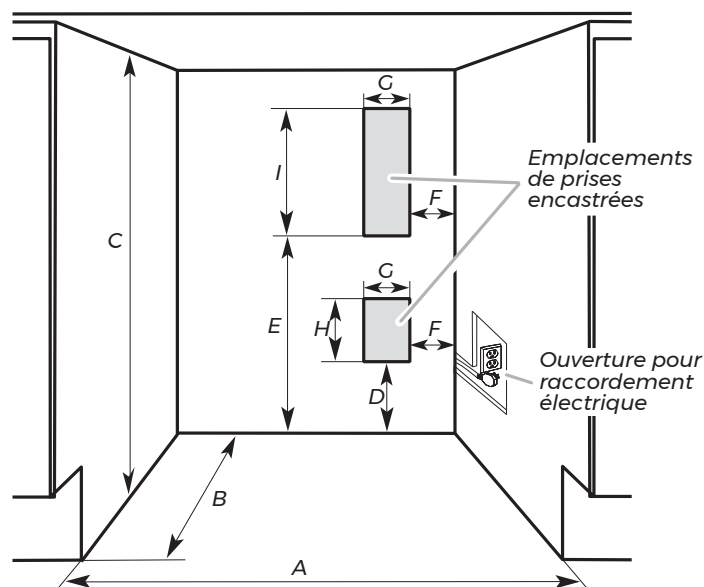
- Ne pas installer l'appareil dans un endroit où la température pourrait descendre sous 55 °F (13 °C). Pour le meilleur rendement, ne pas installer le double tiroir derrière une porte d'armoire ni obstruer la grille de la base.

### DIMENSIONS DE L'OUVERTURE:

- Les dimensions de hauteur sont indiquées avec les pieds de nivellement étendus à la hauteur minimale de 1/4" (6 mm) sous les tiroirs du réfrigérateur.

**REMARQUE:** Lorsque les pieds de nivellement sont totalement déployés à 1" (25 mm) au-dessous des tiroirs du réfrigérateur, ajoutez 3/4" (19 mm) à la hauteur totale. Voir "Dimensions du Produit".

- Si le plancher de l'ouverture n'est pas au même niveau que le plancher de la cuisine, installer des cales pour établir un niveau uniforme avec le plancher de la cuisine.



### Dimensions de l'ouverture et de l'emplacement des services

Largeur de l'ouverture - A	24" (60.96 cm) min.
Profondeur de l'ouverture - B	24" (60.96 cm) min.
Hauteur de l'ouverture - C	34 1/2" (87.6 cm) min. 35" (88.9 cm) max.
Dimension - D	12 1/16" (30.64 cm)
Dimension - E	21 3/4" (55.24 cm)
Dimension - F	1 3/4" (4.44 cm)
Dimension - G	3" (7.62 cm)
Dimension - H	4 1/2" (11.43 cm)
Dimension - I	9 1/4" (23.49 cm)

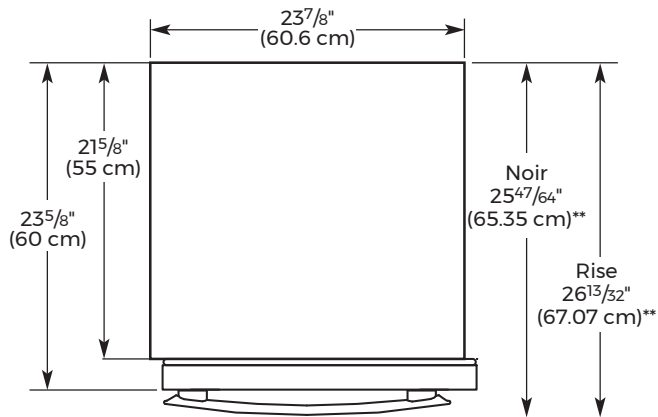
Pour une installation en affil eurement, la prise de courant peut être installée dans des armoires adjacentes avec une découpe du côté du cordon d'alimentation pour l'acheminement du cordon d'alimentation.

La prise de courant peut également être encastrée sur le mur arrière derrière l'appareil, conformément aux emplacements recommandés pour les prises dans l'illustration.

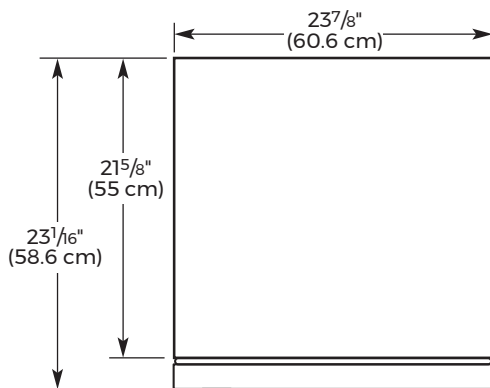


## LONGUEUR DU TIROIR

### STYLE 1 - ACIER INOXYDABLE (VISION SUPÉRIEUR)



### STYLE 2 - PANNEAU DE SUPERPOSITION (VISION SUPÉRIEUR)



\* Ajoutez 3/4" (1,9 cm) à la dimension de hauteur quand les pieds de nivellement sont totalement étendus.

\*\* Cela varie avec modèles de panneaux personnalisés.

## PANNEAUX DE SUPERPOSITION PERSONNALISÉS DES TIROIRS

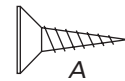
Si vous désirez installer des panneaux en bois personnalisés, vous devrez créer ces panneaux vous-même ou consulter un ébéniste ou un charpentier qualifié. Voyez les dessins de dimensions pour les spécifications du panneau.

### IMPORTANT:

- L'épaisseur des panneaux de superposition doit être de 3/4" (1,9 cm).
- Pour éviter endommager les tiroirs, le poids de chaque panneau de superposition ne doit pas dépasser 10 lb (4,54 kg).
- Ne dépassez pas la hauteur des panneaux de superposition. Les panneaux qui surpassent la hauteur peuvent endommager le réfrigérateur à tiroirs, les armoires ou les plans de travail.
- La hauteur des panneaux de superposition peut varier selon la longueur de l'ouverture de l'armoire.

Pour installer le panneau personnalisé, vous aurez besoin des pièces ci-dessous:

- 8 Vis à bois
- 8 Supports



A

A- M4 x 32

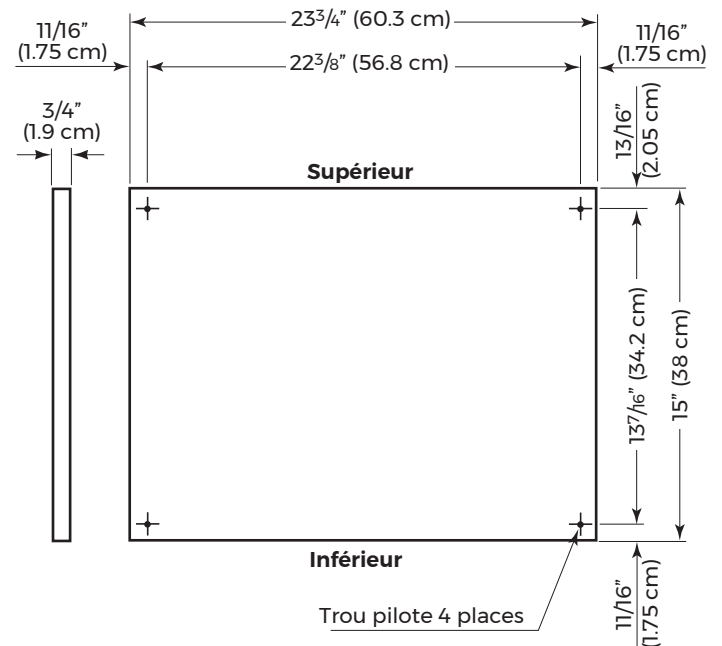
B- Supports gauche et droit



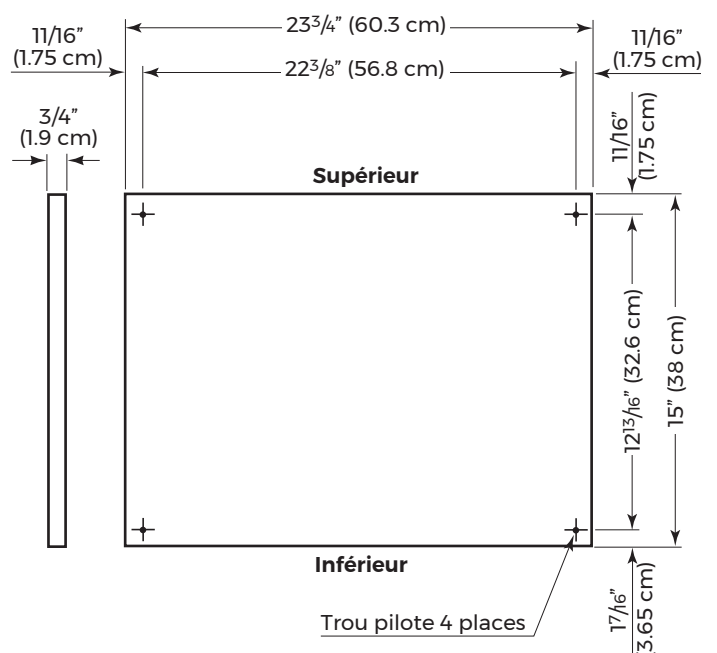
B

## DIMENSIONS DES PANNEAUX DE SUPERPOSITION DE TIROIRS SUPÉRIEURS ET INFÉRIEURS:

### PORTE SUPÉRIEUR



### PORTE INFÉRIEUR



## SPÉCIFICATIONS ÉLECTRIQUES

### ⚠ AVERTISSEMENT



#### Risque de Décharge Électrique

- Brancher sur une prise à 3 alvéoles reliée à la terre.
- Ne pas enlever la broche de liaison à la terre.
- Ne pas utiliser un adaptateur.
- Ne pas utiliser un câble de rallonge.
- Le non-respect de ces instructions peut causer un décès, un incendie ou un décharge électrique.

Avant de placer le double tiroir à son emplacement final, il est important de vous assurer d'avoir la connexion électrique appropriée.

#### MÉTHODE RECOMMANDÉE DE MISE À LA TERRE:

Chaque appareil doit être alimenté par un circuit à 115 VAC à 60 Hz relié à la terre et protégé par un fusible de 15 A ou 20 A.

Il est recommandé d'utiliser un circuit distinct pour alimenter uniquement votre double tiroir. Utiliser une prise de courant dont l'alimentation ne peut pas être interrompue par un interrupteur. Ne pas utiliser de rallonge.

**REMARQUE:** Avant d'exécuter tout type d'installation, nettoyage ou remplacement d'une ampoule d'éclairage, débrancher le double tiroir ou déconnecter la source de courant électrique.

## INSTRUCTIONS D'INSTALLATION

### DÉBALLAGE DU DOUBLE TIROIR

### ⚠ AVERTISSEMENT

#### Risque du Poids Excessif

- Utiliser deux personnes ou plus pour déplacer et installer ou désinstaller l'appareil.
- Le non-respect de cette instruction peut causer une blessure au dos ou d'autre blessure.

#### ENLEVEZ L'EMBALLAGE:

Avant d'utiliser le double tiroir, tous les matériaux d'emballage doivent être enlevés et l'intérieur doit être nettoyé.

- Enlever tout résidu de ruban adhésif et de colle des surfaces avant de mettre en marche le double tiroir. Frotter une petite quantité de savon à vaisselle liquide avec ses doigts sur tout adhésif et essuyer avec de l'eau chaude pour enlever.
- Ne pas utiliser d'instruments coupants, d'alcool à friction, de liquides inflammables ou de nettoyants abrasifs pour enlever le ruban adhésif ou la colle. Ceux-ci peuvent endommager les surfaces du double tiroir. Pour plus de renseignements, voir la section "Sécurité du Double Tiroir".
- Jeter ou recycler tous les matériaux d'emballage.
- Une fois que tous les matériaux d'emballage ont été retirés, nettoyer l'intérieur du double tiroir. Consulter les instructions de nettoyage dans la section "Nettoyage".

#### Déplacement des Tiroirs Réfrigérés:

Les tiroirs réfrigérés sont lourds. Lors du déplacement de l'appareil pour le service, veiller à recouvrir le plancher avec du carton ou un panneau de fibres dures pour éviter qu'il ne subisse tout dommage. Toujours tirer l'appareil tout droit lors du déplacement. Ne pas incliner l'appareil d'un côté ou de l'autre ni le "faire marcher" en essayant de le déplacer car le plancher pourrait être endommagé.

#### NETTOYAGE AVANT L'UTILISATION:

Après avoir enlevé tous les matériaux d'emballage, nettoyez l'intérieur de votre double tiroir avant l'utilisation. Voyez "Nettoyage".

### EXIGENCES D'APPROVISIONNEMENT EN EAU (SEULEMENT RÉFRIGÉRATEUR/ CONGÉLATEUR À TIROIR)

Rassemblez les outils et pièces nécessaires avant de commencer l'installation. Lisez et suivez les instructions fournis avec tous les outils listés ici.

#### IMPORTANT:

- Connectez à une alimentation en eau portable.

Ne pas utiliser avec de l'eau microbiologiquement dangereuse ou de qualité inconnue sans désinfection adéquate avant ou après le système. Les systèmes certifiés pour la réduction des kystes peuvent être utilisés sur des eaux désinfectées qui peuvent contenir des kystes filtrables.

- Si vous allumez le réfrigérateur avant de lui connecter à la conduite d'eau, éteindre la machine à glaçons.
- Toutes les installations doivent satisfaire aux exigences de plomberie locales.
- Utilisez des tubes en cuivre et vérifiez s'il y a des fuites. Installez des tubes en cuivre seulement dans les pièces où les températures de la maison resteront au-dessus du niveau de congélation.

#### OUTILS NÉCESSAIRES:

Tournevis lame plate, clé ouverte 7/16" et 1/2" ou deux clés ajustables, tourne-écrous et foret 1/4", perceuse sans fil.

**REMARQUE:** Son revendeur de réfrigérateurs a une panoplie disponible avec une vanne d'arrêt du type selle 1/4" (6,35 mm), un tube de connexion et des tubes en cuivre. Avant d'acheter, assurez-vous que la vanne du type selle satisfait aux exigences de plomberie locales.

N'utilisez pas une vanne du type perceuse ou selle 3/16" (4,76) qui réduit le flux d'eau et facilite l'obstruction.

#### PRESSIION DE L'EAU:

Il est nécessaire un approvisionnement en eau froide avec une pression de l'eau entre 30 et 120 psi (207 et 827 kPa) pour utiliser la machine à glaçons. Si vous avez une question sur la pression de l'eau, contactez un plombier qualifié et agréé.

#### APPROVISIONNEMENT EN EAU PAR OSMOSE INVERSÉE:

**IMPORTANT:** La pression de l'approvisionnement en eau originaire du système d'osmose inversée qui va à la vanne d'admission d'eau doit être entre 30 et 120 psi (207 et 827 kPa).

Si le système de filtration d'eau par osmose inversée est connecté à son système d'eau froide, la pression d'eau au système d'osmose inversée doit être un minimum de 40 à 60 psi (276 à 414 kPa).

Si la pression de l'eau vers le système d'osmose inverse est inférieure à 40 à 60 psi (276 à 414 kPa):

- Vérifiez si le filtre à sédiments du système d'osmose inversée est bloqué. Remplacez le filtre si nécessaire.
- Permettez que le réservoir de stockage du système d'osmose inversée soit rempli après un usage intensif.

Si vous avez une question sur la pression de l'eau, contactez un plombier qualifié et agréé.

#### CONNEXION D'APPROVISIONNEMENT EN EAU (SEULEMENT RÉFRIGÉRATEUR/ CONGÉLATEUR À TIROIR)

##### CONNECTEZ-VOUS À LA LIGNE D'EAU:

Ne pas utiliser avec de l'eau microbiologiquement dangereuse ou de qualité inconnue sans désinfection adéquate avant ou après le système. Les systèmes certifiés pour la réduction des kystes peuvent être utilisés sur des eaux désinfectées qui peuvent contenir des kystes filtrables.

1. Déconnectez le réfrigérateur ou débranchez la source de courant électrique.
2. Fermez le système principal d'eau. Ouvrez le robinet plus proche pendant le temps suffisant pour dégager la conduite d'eau.
3. Localisez un tube vertical d'eau froide 1/2" à 1 1/4" (3,81 cm à 3,18 cm) proche du réfrigérateur.

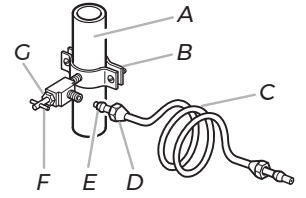
#### IMPORTANT:

- Connectez uniquement à l'alimentation en eau potable.
  - Assurez-vous que c'est un tube d'eau froide.
  - Les tubes horizontaux sont bons aussi, mais percez la partie supérieure du tube, pas l'inférieure. Cela aidera à maintenir l'eau distante de la perceuse et que sédiments normaux soient collectés dans la vanne.
4. Déterminez la largeur du tube en cuivre nécessaire. Mesurez à partir de la connexion de la partie arrière inférieure gauche du réfrigérateur au tube d'eau.

Ajoutez 7 ft (2,1 m) pour permettre le nettoyage. Utilisez un tube en cuivre 1/4" (0,63 cm) O.D. (diamètre extérieur). Assurez-vous que les deux extrémités du tube en cuivre sont coupées de façon alignée.

5. En utilisant une perceuse sans fil, percez un trou 1/4" dans le tube d'eau froide que vous avez choisi.

- A- Tube d'eau froide
- B- Collier de serrage
- C- Tube en cuivre
- D- Écrou à compression
- E- Manchon à compression
- F- Vanne d'arrêt
- G- Écrou d'emballage

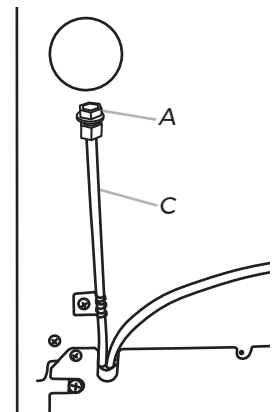


6. Fixez la vanne d'arrêt au tube d'eau froide avec le collier de serrage. Assurez-vous que l'extrémité de sortie est bien fixée dans le trou 1/4" percé dans le tube d'eau et que la rondelle est au-dessous le collier de serrage. Serrez l'écrou d'emballage. Serrez les vis du collier de serrage lentement et également pour que la rondelle devienne un joint étanche. Ne serrez-les pas trop de peur que vous écrasiez le tube en cuivre.
7. Mettez le manchon à compression et l'écrou à compression sur le tube en cuivre, comme illustré. Mettez l'extrémité du tube alignée sur l'extrémité de sortie aussi loin qu'elle peut aller. Serrez l'écrou à compression dans l'extrémité de sortie avec la clé ajustable. Ne serrez-le pas trop.
8. Placez l'extrémité libre du tube dans un conteneur ou évier, et ouvrez l'approvisionnement principal d'eau. Rincez le tube jusqu'à ce qu'il n'y a plus d'eau. Fermez la vanne d'arrêt du tube d'eau. Enroulez le tube en cuivre.

#### CONNEXION AU RÉFRIGÉRATEUR:

1. Attachez le tube en cuivre à la vanne d'admission employant un écrou et un manchon à compression, comme illustré. Serrez l'écrou à compression. Ne serrez-le pas trop. Utilisez le collier de serrage dans l'arrière du réfrigérateur pour attacher le tube au réfrigérateur, comme illustré. Cela aidera à éviter endommager le tube quand le réfrigérateur est poussé contre le mur.
2. Ouvrez la vanne d'arrêt.
3. Vérifiez s'il y a des fuites. Serrez tous les connexions (en comprenant les connexions de la vanne) ou écrous qui fuient.

- A- Bouchon avec un écrou à compression
- C- Tube PEX




- La machine à glaçons (Ice Maker) est équipée avec un filtre à eau intégré. Si vos conditions d'eau requièrent un deuxième filtre à eau, installez-le dans la conduite d'eau 1/4" (0,63 cm) dans quelque connexion du tube. Demandez un filtre à eau à votre revendeur d'appareils ménagers plus proche.
- Ébranchez le réfrigérateur ou reconnectez la source de courant électrique.

## DÉPLACEMENT DU DOUBLE TIROIR À SA LOCALISATION FINALE

- Placez du carton ou du panneau contreplaqué au-dessous de l'appareil. Retirez le chariot.
- N'enlevez pas le film ou couverture.

**⚠ AVERTISSEMENT**



**Risque de Décharge Électrique**

**Brancher sur une prise à 3 alvéoles reliée à la terre.**  
**Ne pas enlever la broche de liaison à la terre.**  
**Ne pas utiliser un adaptateur.**  
**Ne pas utiliser un câble de rallonge.**  
**Le non-respect de ces instructions peut causer un décès, un incendie ou un décharge électrique.**

- Brancher l'appareil sur une prise à 3 alvéoles reliée à la terre.

**⚠ AVERTISSEMENT**

**Risque du Poids Excessif**

**Utiliser deux personnes ou plus pour déplacer et installer ou désinstaller l'appareil.**  
**Le non-respect de cette instruction peut causer une blessure au dos ou d'autre blessure.**

- Poussez le double tiroir vers l'arrière et également devant de l'ouverture.

## INSTALLER LE PANNEAU DE SUPERPOSITION PERSONNALISÉ

### IMPORTANT:

- Pour les modèles standard en acier inoxydable, ignorez ces instructions et passez à la section "Niveau des Tiroirs du Réfrigérateur".
- Créez un panneau de superposition personnalisé, selon les spécifications de la section "Panneaux de tiroir de superposition personnalisés".
- JennAir n'est pas responsable de la suppression ou de l'ajout de moulures ou panneaux décoratifs qui ne permettraient pas d'accéder au réfrigérateur pour le service.

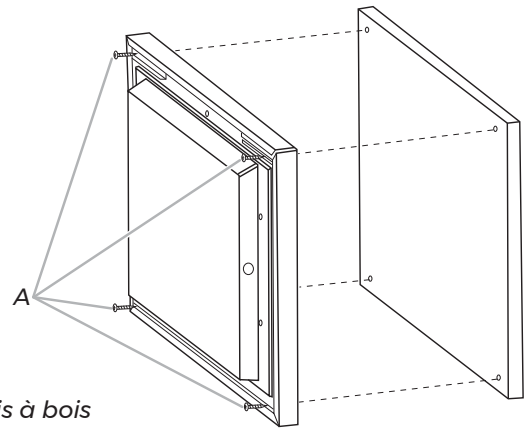
### FIXEZ LE PANNEAU DE SUPERPOSITION:

**REMARQUE:** Si les crochets de recouvrement ne sont pas installés, reportez-vous à la section "Panneaux de Superposition Personnalisés des Tiroirs" pour connaître l'emplacement des crochets de recouvrement. L'emplacement des crochets doit être aussi précis que possible. Si le panneau personnalisé est mal placé, le panneau peut interférer avec l'utilisation optimale des tiroirs.

- Fixez la poignée personnalisée de votre préférence sur la superposition avant de fixer la superposition sur le tiroir du réfrigérateur.

**REMARQUE:** Les dimensions des poignées personnalisées peuvent varier. Des trous doivent être faits sur le panneau en fonction des dimensions spécifiques de votre poignée.

- Fixez les crochets à leurs récessions correspondantes sur le panneau à l'aide des vis SS Flat M4x12. Deux vis sont nécessaires par crochet. Les crochets doivent être sur le bord extérieur du panneau.



A - 4 vis à bois

- Tirez doucement sur le joint des coins supérieurs de la porte jusqu'à ce que vous puissiez voir la vis qui se trouve derrière le joint. Il y a une vis de chaque côté. Il n'est pas nécessaire de retirer le joint.
- Retirez les vis derrière le joint (une par côté).
- Alignez le panneau sur le tiroir et placez le panneau de recouvrement à 1/2" (12,5 mm) plus haut que la porte. Positionnez les crochets de recouvrement avec les trous pilotes et poussez les crochets dans les trous. Le tiroir a une mousse isolante à l'intérieur de sorte que vous pouvez ressentir une certaine interférence en poussant. Poussez jusqu'à ce que les crochets traversent la mousse.
- Poussez le panneau de recouvrement vers le bas pour fixer les crochets de recouvrement au tiroir.
- À l'aide des vis à bois autotaraudeuses (deux par tiroir; une dans chaque coin des tiroirs), fixez le panneau au tiroir.

**REMARQUE:** Ne remettez pas les vis retirées à l'étape 4 sur la porte.

- Une fois que le revêtement est solidement fixé au tiroir à l'aide des deux vis, remettez le joint à sa place en le pressant contre la porte jusqu'à ce que le joint soit uniformément et fermement fixé.

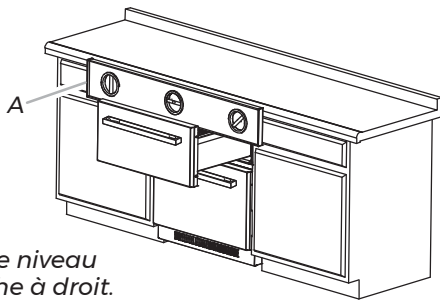


## NIVELLEMENT DU DOUBLE TIROIR

### IMPORTANT:

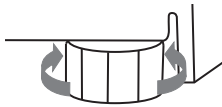
- Modèle de panneau de superposition - Assurez-vous d'installer les panneaux de superposition personnalisés des tiroirs avant de niveler le double tiroir. Voyez "Installation des Panneaux de Superposition Personnalisés des Tiroirs".
- Avant d'installer le double tiroir, assurez-vous que le plan de travail est nivelé.
- Si le plan de travail n'est pas nivelé, ajustez les pieds de nivellement du double tiroir jusqu'à ce que l'appareil est aligné sur le plan de travail. Assurez-vous de maintenir une distance minimale de 3/8" (0,95 cm) entre la partie supérieure du tiroir et le plan de travail.

1. Ouvrez le tiroir supérieur et placez le niveau sur le tiroir supérieur, comme illustré. Vérifiez le niveau de gauche à droit.



A- Vérifiez le niveau de gauche à droit.

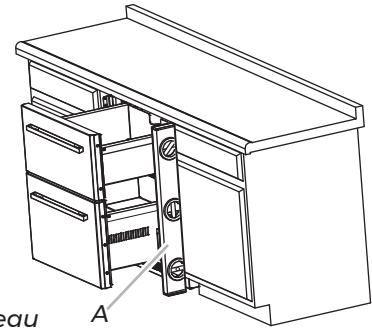
2. Tournez les pieds de nivellement (d'avant et d'arrière) jusqu'à ce que les mesures du tiroir supérieur soient égales de gauche à droit.



3. Enlevez le niveau et fermez le tiroir supérieur. Vérifiez la distance entre la partie supérieure du tiroir et le plan de travail. Si la distance est inférieure au minimum de 3/8" (0,95 cm), tournez tous les quatre boulons de nivellement également à la gauche pour élever les pieds de nivellement (cela abaissera l'appareil). Revérifiez le niveau.

4. Ouvrez les tiroirs en glissant-les jusqu'à moins de la moitié. Placez le niveau sur la bride latérale à côté des tiroirs, comme illustré. Tournez les boulons de

nivellement frontales ensemble pour élever ou abaisser l'appareil jusqu'à ce que les côtés des tiroirs du réfrigérateur sont nivelés.



A- Vérifiez le niveau de l'avant à l'arrière.

5. Enlevez le niveau et fermez les tiroirs. Vérifiez la distance entre la partie supérieure du tiroir et le plan de travail. Si la distance est inférieure à 3/8" (0,95 cm), tournez tous les quatre boulons de nivellement également pour élever les pieds de nivellement (cela abaissera l'appareil). Revérifiez le niveau.

**REMARQUE:** Assurez-vous de revérifier le niveau horizontal du tiroir supérieur.

6. Assurez-vous que tous les quatre niveleurs touchent le plancher et supportent tout le poids du double tiroir.

## ACHÈVEMENT DE L'INSTALLATION

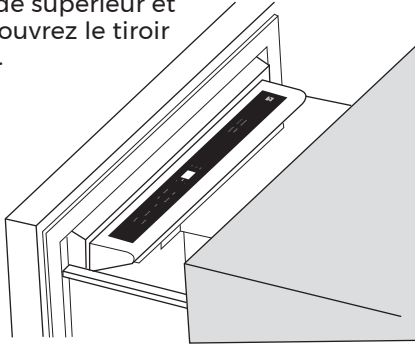
1. Enlevez toutes les caisses, pièces, paquets et matériaux d'emballage de l'intérieur du double tiroir.
2. Enlevez le film.
3. Nettoyez le double tiroir avant de l'utiliser.
4. Les commandes sont pré-réglées en usine selon les réglages recommandés. Assurez-vous que le compresseur et que tous les témoins lumineux fonctionnent correctement.
5. Si la construction continuera après l'installation du double tiroir, débranchez la source de courant électrique des deux tiroirs.

Pour utiliser votre nouveau double tiroir de la façon plus efficace, lisez la section "Utilisation du double tiroir".

# UTILISATION DU DOUBLE TIROIR

## UTILISATION DES COMMANDES

Les panneaux de commandes du double tiroir sont sur le tiroir supérieur. Pour visualiser et régler le panneau de commande supérieur et inférieur, ouvrez le tiroir supérieur.



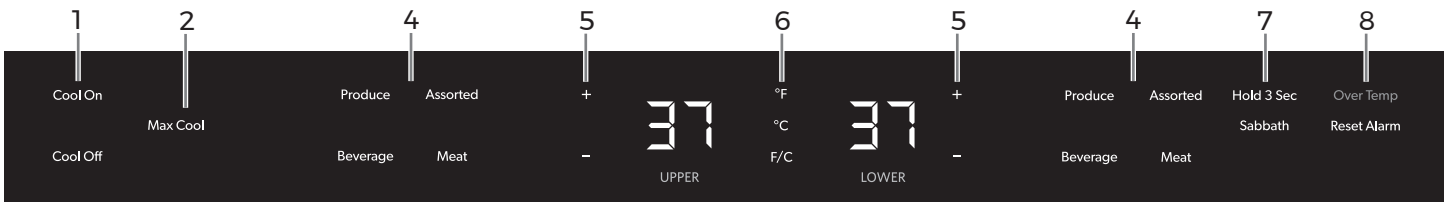
### IMPORTANT:

- Une fois que le double tiroir est allumé, attendez 24 heures avant de placer de la nourriture dans les tiroirs.

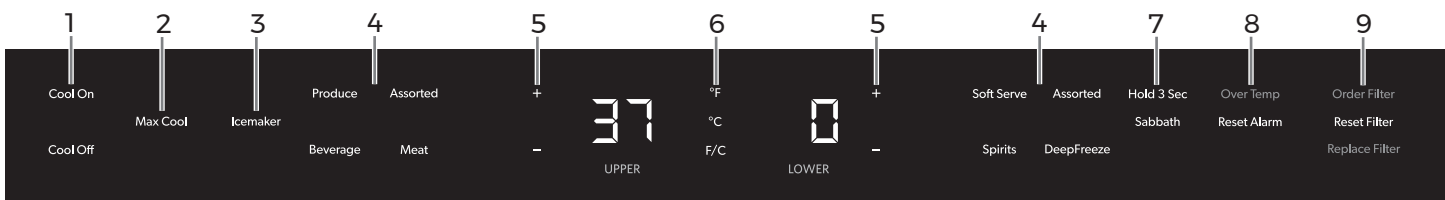
Si vous placez de la nourriture dans les tiroirs avant qu'ils soient complètement refroidis, votre nourriture peut se gâter.

**REMARQUE:** Ajuster les commandes d'un tiroir ou des deux tiroirs à un réglage plus bas (plus froid) ne le(s) refroidira plus vite.

- Si la température dans les tiroirs est très chaude ou très froide, vérifiez si les bouches d'aération ne sont pas bloquées avant de régler les commandes.
- Les commandes pré-réglées doivent être correctes pour l'utilisation ménagère normale. La commande du réfrigérateur est réglée correctement quand vous avez du lait ou du jus dans la température désirée.
- La commande du congélateur est réglée correctement quand vous avez de la crème glacée ferme.
- La vraie température peut être différente de l'affichage quand un tiroir reste ouvert pendant longtemps.



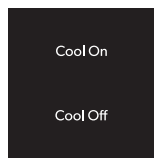
Modèle Réfrigérateur



Modèle Réfrigérateur/Congélateur

### 1. Allumer/Éteindre les Tiroirs (On/Off):

- Quand le réfrigérateur est branché pour la première fois, la commande sera dans le mode Refroidissement éteint (Cool Off). Refroidissement allumé (Cool On) et Refroidissement éteint (Cool Off) seront les seules deux options de l'affichage.
- Appuyez sur Refroidissement Allumé (Cool On) pour allumer les tiroirs. Tous les menus et réglages recommandés de température seront affichés.
- La température à gauche et les dalles tactiles pré-réglées contrôlent la température du compartiment supérieur.
- La température à droite et les dalles tactiles pré-réglées contrôlent la température du compartiment inférieur.



### 2. Refroidissement Maximal (Max Cool):

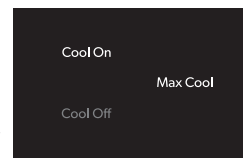
La fonction Refroidissement Maximal (Max Cool) aide pendant périodes d'usage intensif, de pleine charge d'épicerie ou de température ambiantes temporairement chaudes.

La fonction Refroidissement Maximal (Max Cool) réglera la température du tiroir de réfrigération à 32 °F (0 °C) et -3 °F (-19,4 °C) pour le tiroir de congélation pendant un période de 24 heures.

Appuyez sur Refroidissement Maximal (Max Cool) pour activer la fonction Refroidissement Maximal (Max Cool).

**REMARQUE:** L'affichage de température restera en -3 °F (-19,4 °C) et le témoin lumineux restera allumé pendant un période de 24 heures à moins que une des suivantes situations se produise:

- L'utilisateur ajuste la température d'un compartiment.





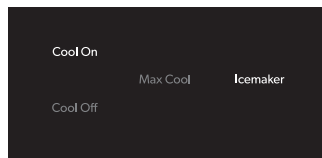
- Le Mode Refroidissement éteint (Cool Off) est activé (par l'utilisateur).
- Le Mode Sabbat (Sabbath) est activé (par l'utilisateur).
- Après 24 heures, la température retournera automatiquement à la température de consigne antérieure et le témoin lumineux s'éteindra.

**REMARQUE:** Si la température de consigne antérieure du tiroir de congélation était réglée sur Crème glacée molle, la température retournera à la température recommandée de 0 °F (-17,7 °C) après la conclusion du Refroidissement Maximal (Max Cool).

### 3. La Machine à Glaçons (Ice Maker) et le Système de Filtration de l'Eau (Seulement Réfrigérateur/ Congélateur à Tiroir)

#### IMPORTANT:

Après connecter le réfrigérateur à la source d'eau ou remplacer le filtre à eau, remplissez et jetez trois conteneurs plats de glaçon pour préparer le filtre à eau pour l'utilisation avant d'utiliser les glaçons.



#### COMMENT ALLUMER/ÉTEINDRE (ON/OFF) LA MACHINE À GLAÇONS (ICE MAKER):

#### IMPORTANT:

Utilisez la dalle tactile du panneau de commande pour allumer ou éteindre la machine à glaçons. N'ajustez pas la coulisse de la machine à glaçons.

- Appuyez la dalle tactile Machine à Glaçons (ICEMAKER) pour allumer la machine à glaçons. Le témoin lumineux s'allumera (On).
- Appuyez la dalle tactile Machine à Glaçons (ICEMAKER) pour éteindre la machine à glaçons.

#### RAPPELEZ-VOUS:

- Attendez 24 heures pour produire le premier lot de glaçons.
- La qualité de votre glaçon sera aussi bonne que la qualité de l'eau fournie à votre machine à glaçons.
- Évitez connecter la machine à glaçons à une source d'eau adoucie. Les produits chimiques d'adoucissement d'eau (tel que le sel) peuvent endommager les pièces de la machine à glaçons et résulter en glaçons de mauvaise qualité. Si n'est pas possible éviter la source d'eau adoucie, assurez-vous que l'adoucisseur d'eau fonctionne correctement et qu'il est bien entretenu.
- Ne stockez rien à l'intérieur du bac à glaçons.
- Lorsque le réfrigérateur est allumé pour la première fois, la machine à glaçons est désactivée. (L'indicateur lumineux de la machine à glaçons s'éteindra).
- Après avoir confirmé que l'eau peut être fournie automatiquement à la machine à glaçons (en connectant le réfrigérateur à la source d'eau ou en remplaçant le filtre à l'eau, appuyez sur le pavé tactile de l'ICEMAKER pour allumer la machine à glaçons. (Le voyant lumineux s'allumera). Lorsque l'eau ne peut pas être alimenté automatiquement (sans connexion à la source d'eau, etc.) et la glacière n'est pas remplie de glace, si la machine à glaçons est allumée, la machine à glaçons continuera à fonctionner et le

chauffage interne de la machine à glaçons fonctionnera fréquemment. Cela chauffera le réfrigérateur, augmentant le taux de fonctionnement du compresseur et la consommation d'énergie. Si vous n'avez pas besoin de faire de la glace (y compris de ne pas fournir automatiquement de l'eau), vous devez éteindre la machine à glaçons (le voyant lumineux s'éteindra).

### 4. Employer Préréglages:

Pour votre commodité, chaque tiroir a aussi des commandes que sont préréglées selon les températures de stockage recommandées pour produits spécifiques.



Style 1: Modèle Réfrigérateur



Style 2: Modèle Réfrigérateur/Congélateur

Appuyez sur n'importe quelle option préréglée pour régler la valeur de température sur la température recommandée pour chaque catégorie:

#### Tiroir Réfrigérateur:

- Fruits: 39 °F (3,8 °C)
- Variés: 37 °F (2,7 °C)
- Boissons: 34 °F (1 °C)
- Viande: 32 °F (0 °C)

#### Tiroir Congélateur:

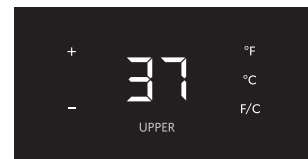
- Crème glacée molle: 6 °F (-14,4 °C)

**REMARQUE:** Crème glacée molle est un réglage de température temporaire que durera seulement pendant 4 heures et retournera au point de consigne antérieur après sa conclusion.

- Variés: 0 °F (-17,7 °C)
- Boissons: -2 °F (-18,8 °C)
- Congeler: -8 °F (-22 °C)

### 5. Réglage de température:

Quand le réfrigérateur est allumé (On) pour la première fois, une température recommandée est réglée par défaut. Les commandes ajustent la température des deux compartiments de façon indépendante.



Pour ajuster les températures de consigne, appuyez sur "+" (plus) ou "-" (moins) jusqu'à ce que la température désirée est atteinte.

#### Modèle JUDFP242\*

**REMARQUE:** Le point de consigne pour le modèle à double tiroirs de réfrigérateur est de 37 °F (2 °C). Les points de consigne pour ce modèle est de 32 °F à 42 °F (0 °C à 5 °C) pour les deux compartiments.

## Modèle JUCFP242\*

### REMARQUES:

- Le point de consigne pour le modèle de tiroirs de réfrigérateur / congélateur sont de 37 °F (2 °C) pour le tiroir du réfrigérateur et de 0 °F (-17 °C) pour le tiroir du congélateur. Les points de consigne pour le modèle de tiroirs de réfrigérateur / congélateur sont de 32 °F à 42 °F (0 °C à 5 °C) pour le tiroir du réfrigérateur et de -8 °F à 6 °F (-22 °C à -14 °C) pour le tiroir du congélateur.
- Attendez au moins 24 heures entre les réglages pour que le produit s'acclimate.

## 6. Visualiser des températures Celsius:

- Appuyez la dalle tactile F/C pour alterner entre l'affichage de température en degrés Fahrenheit et degrés Celsius. Le témoin lumineux s'allumera.

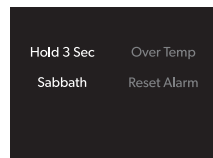


A. Dalle tactile F/C

## 7. Mode Sabbat (Sabbath):

Le Mode Sabbat a été conçu pour travailleurs ou pour ceux dont les observances religieuses demandent que les lumières soient éteints. Quand cette fonction est activée, la température de consigne ne change pas, mais les témoins lumineux du panneau de commande, les lumières intérieures et l'audio contrôle s'éteindront. Pour un fonctionnement plus efficient du double tiroir, on recommande que le Mode Sabbat (Sabbath) soit désactivé lorsqu'il n'est plus nécessaire.

- Maintenez SABBATH appuyé pendant 3 seconds pour activer la fonction. Après les 3 seconds, la fonction sera activée et tous les autres affichages s'éteindront.
- Maintenez SABBATH appuyé pendant 3 pour éteindre la fonction et allumer l'affichage.



## 8. Alarme de Température Excessive (Over Temp Alarm):

**REMARQUE:** Si l'Alarme de Température Excessive (Over Temp Alarm) est activée, votre nourriture peut se gâter.

Voyez "Coupures de courant". Minimisez l'ouverture des tiroirs jusqu'à ce que les températures reviennent à la normale.

La fonction Température Excessive (Over Temp) a été conçue pour vous notifier que la température du tiroir de réfrigération est supérieure à 45 °F (7 °C) ou que la température du tiroir de congélation est supérieure à 6 °F (-14,4 °C) pendant 4 heures ou plus. L'alarme audio s'éteindra automatiquement quand les températures reviennent à la normale. Pour vous notifier qu'une condition de Température Excessive (Over Temp) s'est produite, le témoin lumineux continuera à clignoter jusqu'à ce que la dalle tactile de réinitialisation de

l'alarme soit appuyée. Si la condition de température excessive est toujours présente lorsque la Température Excessive (Over Temp) est réinitialisée, le témoin lumineux sera réactivé tous les 4 heures jusqu'à ce que les températures du réfrigérateur et du congélateur soient inférieures à 45 °F (7 °C) et 15 °F (-9 °C), respectivement.

**REMARQUE:** Ces fonctions ne seront pas affichées sur vos commandes à moins que la température de votre réfrigérateur soit excessive et que l'alarme exige une réinitialisation.

## 9. Témoin Lumineux du Filtre à Eau/ Réinitialisation du Filtre:

Le témoin lumineux vous indiquera le bon moment pour remplacer votre filtre à eau. Le témoin lumineux changera de noir à jaune pour vous indiquer qu'il est temps d'acheter un nouveau filtre.

Le témoin lumineux changera de jaune à rouge pour vous indiquer qu'il est temps de remplacer le filtre à eau.

Le filtre à eau jetable doit être remplacé au moins tous les 6 mois. Après le remplacement du filtre à eau, réinitialisez le témoin lumineux du filtre à eau.

Maintenez Réinitialiser Filtre (RESET FILTER) appuyé pendant 3 seconds. Le témoin lumineux s'éteindra.

**REMARQUE:** Ces fonctions n'apparaîtront sur vos commandes à moins il soit nécessaire d'acheter ou remplacer votre filtre.

### Système de filtration d'eau:

Ne pas utiliser avec de l'eau microbiologiquement dangereuse ou de qualité inconnue sans désinfection adéquate avant ou après le système.

### Tiroir ouvert:

Si un tiroir est ouvert pendant plus de 5 minutes, une alarme retentit toutes les 2 minutes jusqu'à ce que tous les tiroirs soient fermés ou qu'une commande soit enfoncée.

### Mode Salle d'Exposition:

Ce mode est utilisé uniquement lorsque le réfrigérateur est exposé dans un magasin de vente au détail. Si vous activez involontairement le mode salle d'exposition, Cool Off s'allumera sur l'écran et les commandes sembleront fonctionner. Quittez le mode salle d'exposition en appuyant simultanément sur COOL ON et SABBATH pendant 3 secondes.

## BRUITS NORMAUX

Votre nouveau double tiroir peut faire des bruits que votre ancien réfrigérateur ne faisait pas. Comme les bruits sont nouveaux pour vous, ils pourraient vous inquiéter. La plupart des nouveaux bruits sont normaux. Surfaces dures, comme le plancher, le mur et les armoires, peuvent faire les bruits sonner plus fort. Les types de bruits et sa cause sont décrits ci-dessous.

- Votre double tiroir a été conçu pour fonctionner plus efficacement pour maintenir votre nourriture à la température désirée et pour réduire l'utilisation d'énergie. Le compresseur de haute efficacité et les ventilateurs peuvent faire votre double tiroir fonctionner pendant plus de temps que vos anciens réfrigérateurs. Vous pouvez écouter un bruit pulsé ou aigu du compresseur ou des ventilateurs en train de se régler pour optimiser la performance.
- Vous pouvez écouter le moteur du ventilateur évaporateur en train de faire circuler de l'air dans le double tiroir. La vitesse du ventilateur peut augmenter si vous ouvrez les tiroirs fréquemment ou si vous stockez de la nourriture chaude.
- À la fin de chaque cycle, vous pouvez écouter un bruit de gargouillis produit par le réfrigérant qui circule dans les tubes du système scellé.
- La contraction et expansion des murs intérieurs peuvent causer un bruit de claquement.
- Vous pouvez écouter le ventilateur du condenseur en train de forcer de l'air dans le condenseur.
- Vous pouvez écouter de l'eau écoulant au bac de vidange pendant le cycle d'éteindre.

## COMMENT ASSURER LA CIRCULATION APPROPRIÉE DE L'AIR

Pour assurer des températures appropriées, les tiroirs doivent avoir du flux d'air à son intérieur.

Ne bloquez pas les bouches d'aération. Si les bouches sont bloquées, le flux d'air sera obstrué et vous pouvez avoir des problèmes de température et humidité.

**IMPORTANT:** Pour éviter le transfert d'odeur et l'assèchement de la nourriture, enveloppez ou couvrez bien la nourriture.

## MACHINE À GLAÇON

### UTILISATION DE LA MACHINE À GLAÇON SANS FILTRE À L'EAU

Vous pouvez faire fonctionner la machine à glaçons sans filtre à l'eau. Votre eau ne sera pas filtrée.

1. Faites glisser le couvercle du filtre hors du filtre à eau. Avec le couvercle du filtre en position horizontale, insérez le couvercle dans la grille de la base jusqu'à ce qu'il s'arrête.

**IMPORTANT:**

Ne jetez pas le couvercle. Il fait partie de votre réfrigérateur. Conservez-le à utiliser avec un filtre de remplacement.

## ENTRETIEN ET NETTOYAGE

### NETTOYAGE

 <b>AVERTISSEMENT</b>

<b>Risque d'Explosion</b>
<b>Risque d'incendie ou d'explosion.</b>
<b>Fluide frigorigène inflammable utilisé.</b>
<b>Ne pas utiliser d'appareils mécaniques pour dégivrer le réfrigérateur.</b>
<b>Ne pas perforer la tubulure de réfrigération.</b>

Les tiroirs se dégivrent automatiquement. Cependant, nettoyez les deux tiroirs environ une fois par mois pour éviter l'accumulation d'odeurs. Essuyez immédiatement les éclaboussures.

#### POUR NETTOYER LE DOUBLE TIROIR:

1. Débrancher le double tiroir ou déconnecter la source de courant électrique.
  2. Laver à la main, rincer et sécher les pièces amovibles et les surfaces internes soigneusement. Utiliser une éponge propre ou un linge doux et un détergent doux dans de l'eau tiède.
- Pour éviter d'endommager les dents en bois et les pièces de finition, essuyez-les avec une éponge propre ou un chiffon doux et de l'eau tiède.
  - Ne pas utiliser de nettoyants puissants ou abrasifs tels que les nettoyants à vitre en atomiseurs, nettoyants

à récurer, liquides inflammables, cires nettoyantes, détergents concentrés, agents de blanchiment ou nettoyants contenant du pétrole sur les pièces en plastique, les garnitures intérieures et garnitures de portes ou sur les joints de portes. Ne pas utiliser d'essuie-tout, de tampons à récurer ou d'autres outils de nettoyage abrasifs. Ces produits risquent d'égratigner ou d'endommager les matériaux.

- Pour aider à éliminer les odeurs, on peut laver les parois intérieures avec un mélange d'eau tiède et de bicarbonate de soude [2 c. à soupe pour 1 pte (26 g pour 0,95 L) d'eau].
3. Laver les surfaces extérieures en acier inoxydable et surfaces extérieures peintes avec une éponge propre ou un linge doux et un détergent doux dans de l'eau tiède. Ne pas utiliser de produits de nettoyage forts ou abrasifs, ni de nettoyants à base de chlore. Ces produits risquent d'égratigner ou d'endommager les matériaux. Séchez immédiatement avec un chiffon doux et sec pour absorber l'eau restante.

**REMARQUE:** Pour que votre double tiroir en acier inoxydable conserve son aspect neuf et pour enlever les petites égratignures ou marques, il est recommandé d'utiliser le nettoyant et poli pour acier inoxydable approuvé par le fabricant. Pour commander le nettoyant, voir la section "Accessoires".

**IMPORTANT:**

- Ce nettoyant doit être utilisé sur les pièces en acier inoxydable uniquement!
- Veiller à ce que le nettoyant et poli pour acier inoxydable n'entre pas en contact avec les pièces de plastique comme les garnitures, couvercles de distributeurs ou joints de porte. En cas de contact non intentionnel, nettoyer la pièce de plastique avec une éponge et un détergent doux dans de l'eau tiède. Séchez immédiatement avec un chiffon doux et sec pour absorber l'eau restante.

## NETTOYAGE DU CONDENSATEUR

### **⚠ AVERTISSEMENT**



#### Risque d'Explosion

Risque d'incendie ou d'explosion causé par la perforation de la tubulure de réfrigération.

Suivre avec attention les instructions de manipulation.

Fluide frigorigène inflammable utilisé.

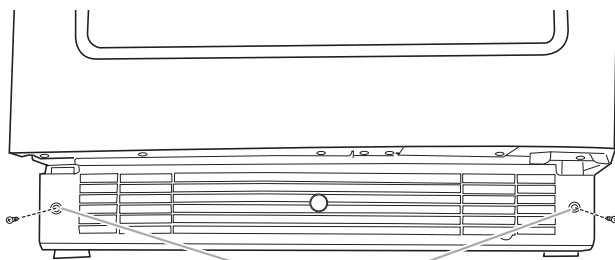
1. Retirer la grille de la base pour pouvoir accéder au condenseur aux fins de nettoyage. Se reporter à la section "Enlever la grille de la base".
2. Nettoyer régulièrement les serpentins du condenseur. Ils sont situés derrière le casier de la base. Il se peut que les serpentins aient besoin d'être nettoyés tous les deux mois. Ce nettoyage peut aider à économiser de l'énergie.

## ENLEVER LA GRILLE DE LA BASE

La grille de la base doit être retirée pour pouvoir accéder aux serpentins du condenseur lors du nettoyage.

### POUR ENLEVER LA GRILLE DE LA BASE:

1. Ouvrir la porte du double tiroir.



A. Vis

A

2. À l'aide d'un tournevis à tête cruciforme, ôter les deux vis.
3. Retirer le casier de la base.

### POUR REPLACER LA GRILLE DE LA BASE:

1. Ouvrir la porte du double tiroir.
2. Positionner la grille de la base de façon à ce que les onglets soient alignés et que la grille de la base s'emboîte. Réinstaller les deux vis. Serrer les vis.

## REPLACER LE FILTRE À EAU:

Le filtre à eau est derrière de la grille base. Il n'est pas nécessaire enlever la grille base pour remplacer le filtre à eau.

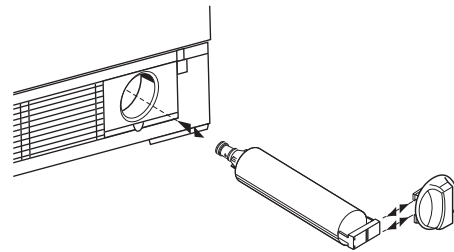
1. Localisez le couvercle du filtre à eau dans la grille base frontale. Tournez le couvercle dans le sens antihoraire vers la position verticale et tirez le couvercle et le filtre à eau à travers de la grille base.

**REMARQUE:** Il y aura de l'eau dans le filtre. Certains déversements peuvent se produire.

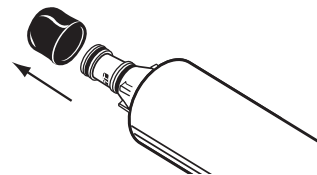
2. Enlevez le couvercle du filtre en glissant-le vers le bout de l'ancien filtre. Le couvercle glissera à gauche ou à droite.

### IMPORTANT:

Ne jetez pas le couvercle. Il fait partie de votre réfrigérateur. Gardez le couvercle pour en utiliser avec le filtre de remplacement.

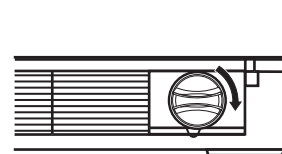


3. Tirez le nouveau filtre à eau de l'emballage et enlevez la couverture des joints toriques.



4. Placez le couvercle dans le nouveau filtre à eau. Voyez l'illustration de l'Étape 2.

Avec le couvercle du filtre dans la position verticale, placez le nouveau filtre dans la grille base jusqu'à ce qu'il arrête. Tournez le couvercle de la cartouche dans le sens horaire vers la position horizontale.



## UTILISER LA MACHINE À GLAÇONS (ICE MAKER) SANS LE FILTRE À EAU:

La machine à glaçons (Ice Maker) peut être utilisée sans un filtre à eau. Votre eau ne sera pas filtrée. Glissez le couvercle vers le bout du filtre à eau. Avec le couvercle du filtre dans la position horizontale, placez le couvercle dans la grille base jusqu'à ce qu'il arrête.

### IMPORTANT:

Ne jetez pas le couvercle. Il fait partie de votre réfrigérateur. Gardez le couvercle pour en utiliser avec le filtre de remplacement.

## COUPURES DE COURANT

Se le courant se coupe pendant 24 heures ou moins, gardez les deux tiroirs de réfrigération fermés pour aider à maintenir votre nourriture froide.

Si la courant se coupe pendant plus de 24 heures, faites une des suivantes choses:

- Placez toute la nourriture périssable dans un casier alimentaire ou dans une glacière avec du sèche.
- Si aucun casier alimentaire ou glacière est disponible, consommez toute la nourriture si elle est toujours froide ou jetez la nourriture périssable immédiatement.

## SOINS DE VACANCES

Si vous choisissez allumer le double tiroir avant de sortir, suivez les étapes ci-dessous:

1. Enlevez tout des doubles tiroirs.
2. Débrancher le double tiroir.
3. Nettoyer le double tiroir. Se reporter à la section "Nettoyage".
4. À l'aide d'un ruban adhésif, placer un bloc de caoutchouc ou de bois dans la partie supérieure de la

porte de façon à ce qu'elle soit suffisamment ouverte pour permettre l'entrée de l'air à l'intérieur, afin d'éviter l'accumulation d'odeur ou de moisissure.

## PRÉCAUTIONS À PRENDRE AVANT UN DÉMÉNAGEMENT

Lors du déplacement le double tiroir dans une nouvelle habitation, suivre ces étapes pour préparer le déménagement.

1. Enlevez tout des doubles tiroirs.
2. Débrancher le double tiroir.
3. Nettoyez-les, essuyez-les et séchez-les minutieusement.
4. Retirer toutes les pièces amovibles, bien les envelopper et les attacher ensemble avec du ruban adhésif pour qu'elles ne bougent et ne s'entrechoquent pas durant le déménagement.
5. Fermer les portes à l'aide de ruban adhésif et fixer le cordon d'alimentation à la caisse du double tiroir.

Lors de l'arrivée au nouveau domicile, remettre tout en place et consulter les "Instructions d'installation" fournies à avec le double tiroir.

## DÉPANNAGE

Essayer d'abord les solutions suggérées ici afin d'éviter le coût d'une intervention de dépannage inutile.

### ⚠ AVERTISSEMENT



#### Risque de Décharge Électrique

Brancher sur une prise à 3 alvéoles reliée à la terre.

Ne pas enlever la broche de liaison à la terre.

Ne pas utiliser un adaptateur.

Ne pas utiliser un câble de rallonge.

Le non-respect de ces instructions peut causer un décès, un incendie ou un décharge électrique.

### ⚠ AVERTISSEMENT



#### Risque d'Explosion

Risque d'incendie ou d'explosion causé par la perforation de la tubulure de réfrigération.

Suivre avec attention les instructions de manipulation.

Fluide frigorigène inflammable utilisé.

### ⚠ AVERTISSEMENT



#### Risque d'Explosion

Risque d'incendie ou d'explosion.

Fluide frigorigène inflammable utilisé.

Ne pas utiliser d'appareils mécaniques pour dégivrer le Réfrigérateur.

Ne pas perforer la tubulure de réfrigération.

### ⚠ AVERTISSEMENT



#### Risque d'Explosion

Utiliser un produit de nettoyage ininflammable.

Le non-respect de cette instruction peut causer un décès, une explosion ou un incendie.

## UTILISATION GÉNÉRALE

### LE DOUBLE TIROIR NE FONCTIONNE PAS

- **Le cordon d'alimentation électrique est-il débranché?** Brancher l'appareil sur une prise à 3 alvéoles reliée à la terre.
- **La prise électrique fonctionne-t-elle?** Brancher une lampe pour voir si la prise fonctionne.



- **Un fusible du domicile est-il grillé ou un disjoncteur s'est-il déclenché?** Remplacer le fusible ou remettre le disjoncteur en fonction. Si le problème persiste, appeler un électricien.
- **Les commandes sont-elles activées?** S'assurer que les commandes du double tiroir sont activées. Se reporter à la section "Commandes".
- **Les commandes du réfrigérateur sont réglées sur refroidissement éteint (Cool Off)?** Voyez "Utilisation des Commandes".
- **Le double tiroir ne se refroidit pas?** Étendre-le et allumez-le pour en réinitialiser. Voyez "Utilisation des Commandes". Si cela ne corrige pas le problème, contactez le service.

#### LE MOTEUR SEMBLE FONCTIONNER TROP

- **La température ambiante est-elle plus élevée que d'habitude?** Prévoir que le moteur fonctionnera plus longtemps dans des conditions de chaleur. Pour des températures normales, prévoir que le moteur fonctionne à peu près 40 % à 80 % du temps. Dans des conditions plus chaudes, prévoir un fonctionnement encore plus fréquent.
- **Une grande quantité de nourriture a été placée dans le réfrigérateur à tiroirs?** Placer une grande quantité de nourriture réchauffe le réfrigérateur à tiroirs. Le moteur fonctionnera normalement pendant plus de temps pour refroidir le réfrigérateur à tiroirs.
- **Les tiroirs sont ouverts fréquemment?** Le moteur fonctionnera pendant plus de temps dans ce cas. Conservez de l'énergie en prenant tous les produits à la fois, en maintenant la nourriture organisée et en fermant les tiroirs aussi que possible.
- **Les commandes n'avaient pas été réglées correctement pour les conditions ambiantes?** Voyez la section "Commandes".
- **Les tiroirs ne se ferment pas totalement?** Fermez les tiroirs solidement. S'ils ne se ferment pas totalement, voyez "Les tiroirs ne se ferment pas totalement" ci-dessous, dans cette section.
- **Les joints d'étanchéité des tiroirs ne scellent pas tout autour?** Contactez un technicien ou une autre personne qualifiée.

#### LE DOUBLE TIROIR APPAREMMENT FAIT TROP DE BRUIT

- **Les bruits peuvent être normaux pour votre réfrigérateur à tiroirs?** Voyez "Bruits Normaux".

#### LE DIVISEUR ENTRE LES DEUX COMPARTIMENTS EST CHAUD

- **La chaleur est probablement le produit de l'opération normale du contrôle automatique d'humidité extérieur?** Si vous êtes toujours inquiet, contactez le service.

#### LA TEMPÉRATURE EST TROP ÉLEVÉE

- **Les bouches d'aération d'un compartiment sont bloquées?** Cela obstrue la circulation d'air froid entre les compartiments. Enlevez les objets qui sont devant les bouches d'aération. Voyez "Comment Assurer la Circulation Appropriée de l'Air" pour identifier la localisation des bouches d'aération.

- **Les tiroirs sont ouverts fréquemment?** Le réfrigérateur à tiroirs réchauffera si cela se produit. Maintenez le réfrigérateur à tiroirs froid en prenant tous les produits à la fois, en maintenant la nourriture organisée et en fermant la porte aussi que possible.
- **Une grande quantité de nourriture a été placée dans le réfrigérateur à tiroirs?** Placer une grande quantité de nourriture réchauffe le réfrigérateur à tiroirs. Plusieurs heures peuvent se passer avant que le réfrigérateur à tiroirs revienne à sa température normale.
- **Les commandes avaient été réglées correctement pour les conditions ambiantes?** Voyez "Utilisation des Commandes".
- **Le double tiroir ne se refroidit pas?** Étendre-le et allumez-le pour en réinitialiser. Voyez "Utilisation des Commandes". Si cela ne corrige pas le problème, contactez le service.
- **La machine à glaçons (Ice Maker) est en train de fonctionner?** Lorsque la machine à glaçons est en train de fonctionner, il réchauffe le réfrigérateur. Le moteur fonctionnera normalement pour faire du glaçon. Si la machine à glaçons est allumée lorsque de l'eau ne peut pas être fournie automatiquement (ne connectée pas à une source d'eau, etc.), la machine à glaçons réchauffera le réfrigérateur, le moteur fonctionnera pendant plus de temps et la consommation d'énergie augmentera. Voyez "Comment Allumer/Éteindre la Machine à Glaçons (Ice Maker)".

#### IL Y A DE L'ACCUMULATION INTÉRIEURE D'HUMIDITÉ

- **Les bouches d'aération du réfrigérateur à tiroirs sont bloquées?** Enlevez tous les objets qui sont devant des bouches d'aération. Voyez "Comment Assurer la Circulation Appropriée de l'Air" pour identifier la localisation des bouches d'aération.
- **Les tiroirs sont ouverts fréquemment?** Évitez l'accumulation d'humidité en prenant tous les produits à la fois, en maintenant la nourriture organisée et en fermant les tiroirs aussi que possible.
- **La pièce est humide?** C'est normal que l'humidité s'accumule dans l'intérieur du réfrigérateur à tiroirs quand l'air de la pièce est humide.
- **La nourriture a été emballée correctement?** Vérifiez si toute la nourriture a été bien emballée. Séchez les contenants alimentaires humides avant d'en placer dans le réfrigérateur à tiroirs.
- **Les commandes avaient été réglées correctement pour les conditions ambiantes?** Voyez "Utilisation des Commandes".

## TIROIRS

#### LES TIROIRS NE SE FERMENT PAS TOTALEMENT

- **Les emballages de nourriture ne bloquent pas l'ouverture du tiroir?** Réorganisez les contenants pour qu'ils s'ajustent plus serrement et occupent moins d'espace.

#### IL EST DIFFICILE D'OUVRIER LES TIROIRS

- **Les joints d'étanchéité sont sales ou collants?** Nettoyez les joints d'étanchéité et la surface qu'ils touchent. Appliquez une mince couche de paraffine sur les joints d'étanchéité après le nettoyage.

# ASSISTANCE

## SI VOUS AVEZ BESOIN D'UN ENTRETIEN:

Avant de faire un appel pour assistance ou dépannage, vérifiez la section "Dépannage". Cette vérification peut vous faire économiser le coût d'une intervention de dépannage. Pour de l'aide supplémentaire, suivez les instructions ci-dessous.

Avant d'appeler, avoir à portée de la main la date d'achat, ainsi que les numéros de modèle et de série complets de l'appareil. Ces renseignements nous aideront à mieux répondre à votre demande. Consultez la page de garantie du présent manuel pour plus d'information sur l'entretien.

## SI VOUS AVEZ BESOIN DE PIÈCES DE RECHANGE:

Les composants doivent être remplacés par des composants similaires et l'entretien doit être effectué par une personne d'entretien autorisée par l'usine, ce qui permettra de réduire les risques d'ignition possible causés par l'utilisation de mauvaises pièces ou le mauvais entretien.

## AUX ÉTATS-UNIS

Appelez le Centre d'eXpérience client JennAir sans frais au **1-800-JENNAIR (1-800-536-6247)**, ou visitez notre site web à **WWW.jennair.com**

### NOS CONSULTANTS FOURNISSENT DE L'ASSISTANCE POUR:

- Caractéristiques et spécifications de notre gamme complète d'appareils ménagers.
- Renseignements d'installation.
- Procédés d'utilisation et d'entretien.
- Vente d'accessoires et de pièces de rechange.
- Assistance spécialisée au client (langue espagnole, malentendants, malvoyants, etc.).
- Les références aux concessionnaires, compagnies d'entretien et de réparation, et distributeurs de pièces de rechange locaux. Les techniciens d'entretien désignés par JennAir sont formés pour remplir la garantie des produits et fournir un service après garantie partout aux États-Unis.

Pour localiser la compagnie d'entretien désignée par JennAir dans votre région, vous pouvez également consulter les Pages jaunes.

### POUR PLUS D'ASSISTANCE

Si vous avez besoin de plus d'assistance, vous pouvez écrire à JennAir en soumettant toute question ou problème à:

JennAir Brand Home Appliances  
Customer eXperience Center  
553 Benson Road  
Benton Harbor, MI 49022-2692

Dans votre correspondance, veuillez indiquer un numéro de téléphone où l'on peut vous joindre dans la journée.

## AU CANADA

Téléphoner sans frais au Centre pour l'eXpérience de la clientèle de JennAir Canada au: **1-800-JENNAIR (1-800-536-6247)**.

### NOS CONSULTANTS FOURNISSENT DE L'ASSISTANCE POUR:

- Caractéristiques et spécifications de notre gamme complète d'appareils ménagers.
- Procédés d'utilisation et d'entretien.
- Vente d'accessoires et de pièces de rechange.
- Les références aux concessionnaires, compagnies d'entretien et de réparation, et distributeurs de pièces de rechange locaux. Les techniciens d'entretien désignés par JennAir Canada sont formés pour remplir la garantie des produits et fournir un service après garantie, partout au Canada.

### POUR PLUS D'ASSISTANCE

Si vous avez besoin de plus d'assistance, vous pouvez écrire à JennAir Canada en soumettant toute question ou problème à:

JennAir Canada  
Customer eXperience Centre  
200 - 6750 Century Ave.  
Mississauga, Ontario L5N 0B7

Dans votre correspondance, veuillez indiquer un numéro de téléphone où l'on peut vous joindre dans la journée.

## ACCESSOIRES

Pour commander des accessoires, appelez le **1-800-JENNAIR (1-800-536-6247)** et demandez le numéro de pièce approprié indiqué ci-dessous ou contactez votre revendeur JennAir agréé.

### FILTRE À EAU DE REMPLACEMENT:

Commander la pièce #4396701

### NETTOYANT POUR CUISINE ET APPAREILS AFFRESH®:

Aux États-Unis, commandez la pièce #W10355010  
Au Canada, commandez la pièce #W10355010B

### NETTOYANT POUR ACIER INOXYDABLE AFFRESH®:

Aux États-Unis, commandez la pièce #W10355016  
Au Canada, commandez la pièce #W10355016B

# FICHES TECHNIQUES DU PRODUIT

## Système de Filtration d'Eau de la Grille Base

**Modèle WF-L200V capacité 200 gallons (757 litres)**

**Modèle WF-NL120V capacité 120 gallons (454 litres)**



Testé et agréé par la NSF International selon la Norme ANSI/NSF 42 pour la réduction de Chlore, Goût et Odeur, Particules Classe III\* ; et selon la Norme ANSI/NSF 53 pour la réduction de Plomb, Mercure, Benzène et p-dichlorobenzène.

Ce système a été testé selon l'ANSI/NSF 42/53 pour la réduction des substances listées ci-dessous. La concentration des substances indiquées dans l'eau qui entre dans le système a été réduite à une concentration inférieure ou égale à la limite admissible pour l'eau qui sort du système, comme spécifié dans l'ANSI/NSF 42/53.

Effets Esthétiques de Réduction de Substances	Exigences de Réductions de la NSF	Moyen Affluent	Défi Affluent Concentration	Effluent Maximal	Moyen Effluent	Minimum % Réduction	Moyen % Réduction
Goût/Odeur de Chlore Particules Classe III*	≥ 50 % ≥ 85 %	1.9 mg/L 49,333/mL	2.0 mg/L ± 10 % Au moins 10 000 particules/mL	0.07 mg/L 640 mg/L**	0.06 mg/L 312 mg/L	>75.0 % 98.7 %	>75.0 % 99 %

Réduction de Contaminants	Exigences de Réductions de la NSF	Moyen Affluent	Défi affluent Concentration	Effluent Maximal	Moyen Effluent	Minimum % Reduction	Moyen % Réduction
Plomb: @ pH 6.5 Plomb: @ pH 8.5	0.01 mg/L 0.01 mg/L	0.14 mg/L*** 0.15 mg/L***	0.15 mg/L ± 10 % 0.15 mg/L ± 10 %	0.0014 mg/L 0.0069 mg/L	0.0011 mg/L 0.0042 mg/L	99.0 % 95.4 %	99.21 % 97.08 %
Mercure: @ pH 6.5 Mercure: @ pH 8.5	0.002 mg/L 0.002 mg/L	0.0059 mg/L 0.0054 mg/L	0.006 mg/L ± 10 % 0.006 mg/L ± 10 %	0.0009 mg/L 0.0007 mg/L	0.0004 mg/L 0.00043 mg/L	84.74 % 87.03 %	92.47 % 91.93 %
Benzène	0.0050 mg/L	0.0157 mg/L	0.015 ± 10 %	0.002 mg/L	0.00083 mg/L	87.26 %	87.26 %
p-dichlorobenzène	0.075 mg/L	0.210 mg/L	0.225 ± 10 %	0.0005 mg/L	0.0005 mg/L	99.76 %	99.76 %

Paramètres du test : pH = 7,5 ± 0,5 sauf indication contraire. Flux = 0,5 gpm (1,9 Lpm). Pression = 60 psig (413,7 kPa). Temp. = 63 °F (17,2 °C).

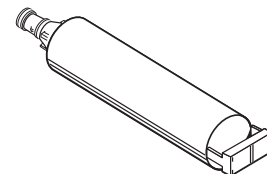
### ORIENTATIONS D'APPLICATION/PARAMÈTRES D'APPROVISIONNEMENT EN EAU

- Il est essentiel que les exigences opérationnelles, de maintenance et de remplacement du filtre soient exécutées pour que le produit fonctionne comme annoncé.
- Modèle WF-L200V:** Le système d'inspection du filtre mesure la quantité d'eau qui passe à travers du filtre et vous notifie du bon moment pour remplacer le filtre. Quand 90 % de la durée de vie nominale du filtre est utilisée, le témoin lumineux du filtre changera du vert au jaune. Quand 100 % de la durée de vie nominale du filtre est utilisée, le témoin lumineux du filtre changera du jaune au rouge, et on recommande qu'il soit remplacé. Utilisez la cartouche de remplacement L200V / NL120V, pièce #4396702. Le prix de détail suggéré pour 2014 est de \$32,99 USA./ \$49,99 Canada. Les prix sont soumis à changements sans préavis.

**Modèle WF-NL120V:** Remplacez la cartouche du filtre à eau tous les 6-9 mois. Utilisez la cartouche de remplacement L200V / NL120V, pièce #4396702. Le prix de détail suggéré pour 2014 est de \$32,99 USA./ \$49,99 Canada. Les prix sont soumis à changements sans préavis.

- Ce produit a été conçu seulement pour de l'eau froide.
- N'en utilisez pas avec de l'eau qui présente des risques microbiologiques ou de qualité inconnue sans la désinfection adéquate avant ou après le système.
- Consultez la première de couverture ou la section "Accessoires" pour le nom, adresse et le numéro de téléphone du Fabricant.
- Consultez la section "Garantie" pour la garantie limitée du Fabricant.

Approvisionnement en Eau	Ville ou puits
Pression de l'Eau	30 - 120 psi (207 - 827 kPa)
Température de l'Eau	33 °F - 100 °F (0.6 °C - 37.8 °C)
Débit de Service	0.5 GPM (1.89 L/min.) @ 60 psi. (413.7 kPa)



Taille des particules Classe III: >5 à <15 um

\*\*\*\*L'exigence de tests est d'au moins 10 000 particules/mL du Test de poussière fine PA.

\*\*\*Ces contaminants ne sont pas forcément dans votre source d'eau. La performance peut varier selon les conditions d'eau locales.

©NSF est une marque déposée de NSF International.





# CAJÓN DOBLE

## GUÍA DE USO Y CUIDADOS E INSTRUCCIONES DE INSTALACIÓN

GRACIAS por adquirir este producto de alta calidad. Registre su nuevo cajón doble en [www.jennair.com](http://www.jennair.com)  
En Canadá, registre su cajón doble en [www.jennair.ca](http://www.jennair.ca)

Para referencia futura, anote los números de modelo y serie de su producto. Estos se pueden ubicar en la pared interior del compartimento de doble cajón.

Número de Modelo \_\_\_\_\_ Número de Serie \_\_\_\_\_

### TABLA DE CONTENIDO

SEGURIDAD DEL CAJÓN DOBLE .....	42
Eliminación adecuada de su Cajón Doble Anterior.....	43
ESPECIFICACIONES DEL DISEÑO .....	43
REQUISITOS DE INSTALACIÓN .....	44
Herramientas y Piezas.....	44
Requisitos de la Localización.....	44
Dimensiones del Producto .....	45
Paneles de Superposición de Cajones Personalizados ..	46
Requisitos Eléctricos .....	47
INSTRUCCIONES DE INSTALACIÓN.....	47
Desembalaje del Cajón Doble.....	47
Requisitos de Suministro de Agua.....	47
Conexión del Suministro de Agua.....	48
Mover el Cajón Doble hasta su Localización Final.....	49
Instalación del Panel Superpuesto Personalizado .....	49
Nivelación del Cajón Doble.....	50
Conclusión de la Instalación .....	50
UTILIZACIÓN DEL CAJÓN DOBLE .....	51
Utilizando los Controles .....	51
Sonidos Normales.....	53
Garantizando la Circulación de Aire Apropiaada.....	54
Máquina de Hielo (Ice Maker).....	54
CUIDADOS Y LIMPIEZA .....	54
Limpieza.....	54
Limpieza del Condensador.....	55
Removiendo la Rejilla de la Base.....	55
Interrupciones Eléctricas.....	56
Cuidados de Vacaciones.....	56
Cuidados de Desplazamiento.....	56
RESOLUCIÓN DE PROBLEMAS .....	56
ASISTENCIA .....	58
En EE.UU .....	58
En Canadá.....	58
Accesorios .....	58
FICHA TÉCNICA DEL PRODUCTO .....	59

# SEGURIDAD DEL CAJÓN DOBLE

## Su seguridad y la de los demás es muy importante.

Hemos provisto muchos mensajes de seguridad importantes en este manual y en su aparato. Siempre lea y obedezca a todos los mensajes de seguridad.



Este es el símbolo de alerta de seguridad.

Ese símbolo le alertará con respecto a posibles peligros que pueden matar o herir a usted o a otros. Todos los mensajes de seguridad acompañarán el símbolo de alerta de seguridad y las palabras "PELIGRO" o "ADVERTENCIA". Esas palabras significan:

**⚠ PELIGRO**

**Usted puede morir o resultar gravemente herido si no sigue inmediatamente las instrucciones.**

**⚠ ADVERTENCIA**

**Usted puede morir o resultar gravemente herido si no sigue las instrucciones.**

Todos los mensajes de seguridad le dirán cuáles son los posibles peligros, cómo reducir las posibilidades de lesiones y dirán qué podrá ocurrir si se dejan de seguir las instrucciones.

## INSTRUCCIONES DE SEGURIDAD IMPORTANTES

**ALERTA:** Para reducir el riesgo de incendio, choque eléctrico o lesión al utilizar su cajón doble, siga estas siguientes precauciones básicas:

- Conéctelo en un tomacorriente de 3 polos con toma de tierra.
- No retire la clavija con toma de tierra.
- No utilice un adaptador.
- No utilice una extensión eléctrica.
- Desconecte de la energía antes de realizar el mantenimiento.
- Sustituya todas las piezas y paneles antes de operar.
- Retire las puertas o cajones de su cajón doble antiguo.
- No utilice un limpiador inflamable.
- No almacene o utilice gasolina, líquidos inflamables o gas alrededor de ese o de otros aparatos eléctricos. Los vapores pueden causar incendios o explosiones.
- No almacene sustancias explosivas, como latas de aerosol, con un propulsor inflamable en ese cajón doble.
- No utilice o inserte aparatos eléctricos en los compartimentos del cajón doble si estos no son del tipo expresamente autorizado por el fabricante.
- Utilice dos o más personas para mover e instalar el cajón doble.
- Este aparato no ha sido diseñado para ser utilizado por personas (incluyendo niños) con capacidades físicas, sensoriales o mentales reducidas, o con falta de experiencia y conocimiento, a menos que ellos reciban supervisión o instrucción con respecto al uso del aparato por una persona responsable por su seguridad.
- Los niños deben ser supervisados para garantizar que no jugarán con el aparato.
- Para evitar riesgo de que algún niño quede encerrado y con peligro de asfixia, no permita que ellos jueguen o que se escondan dentro del cajón doble.
- Si el cable de alimentación está dañado, debe ser sustituido por el fabricante, su agente de servicio o por una persona igualmente calificada.
- Mantenga las aberturas de ventilación del nicho o de la estructura integrada del aparato libres de obstrucción.
- No utilice aparatos mecánicos u otros medios para acelerar el proceso de descongelamiento además de aquellos recomendados por el fabricante.
- No dañe el circuito de refrigeración.
- Para los modelos con hielo/agua: Conectar solo al suministro de agua potable.

**GUARDE ESTAS INSTRUCCIONES**

## ELIMINACIÓN ADECUADA DE SU CAJÓN DOBLE ANTERIOR

**ADVERTENCIA: Riesgo de niños atrapados. Antes de desechar su cajón doble anterior:**

- Saque las puertas o cajones.
- Deje los estantes en su lugar para los niños no puedan introducirse con facilidad.

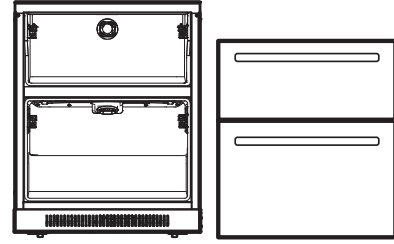
### **⚠ ADVERTENCIA**

#### **Peligro de Asfixia**

Retire las puertas, cajones o tapa de su aparato anterior.  
No seguir esta instrucción puede ocasionar la muerte o daño al cerebro.

**IMPORTANTE:** El atrapamiento y la asfixia de los niños no son problemas del pasado. Los cajones doble tirados y abandonados igual constituyen un peligro, incluso si van

a quedar ahí "por unos pocos días". Si está por deshacerse de su cajón doble anterior, siga las instrucciones a continuación para evitar accidentes.



#### **Información importante para saber acerca del desecho de refrigerantes:**

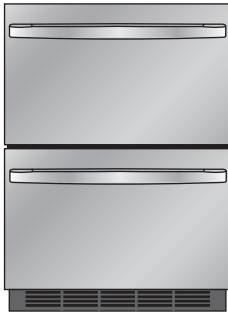
Deshágase del refrigerador siguiendo los reglamentos federales y locales. Los refrigerantes deberán ser evacuados por un técnico certificado en refrigeración por EPA (Agencia de Protección del Medioambiente) según los procedimientos establecidos.

## ESPECIFICACIONES DEL DISEÑO

### DOBLE CAJÓN REFRIGERADOR:

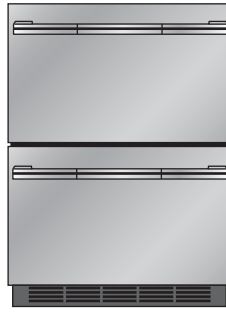
Dos cajones refrigerantes proveen opciones de almacenamiento adicionales a la cocina u otras áreas del hogar.

**Puerta Inoxidable  
Modelo Noir™**



**JUDFP242HM11**

**Puerta Inoxidable  
Modelo Rise™**



**JUDFP242HL11**

**Puerta Superpuesta**

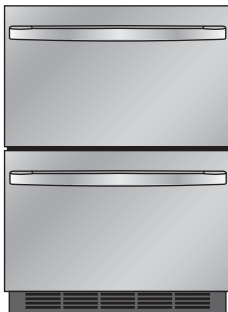


**JUDFP242HX11**

### DOBLE CAJÓN REFRIGERADOR/CONGELADOR (CON MÁQUINA DE HIELO Y FILTRO DE AGUA):

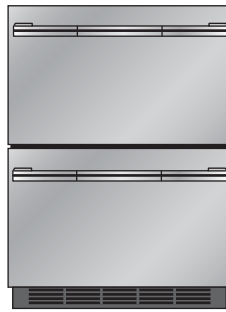
El cajón refrigerador superior y el cajón congelador inferior proveen opciones de almacenamiento adicionales a la cocina u otras áreas del hogar. La máquina de hielo instalada de fábrica en el cajón inferior garantiza un suministro constante e inmediato de hielo todo el tiempo.

**Puerta Inoxidable  
Modelo Noir™**



**JUCFP242HM11**

**Puerta Inoxidable  
Modelo Rise™**



**JUCFP242HL11**

**Puerta Superpuesta**



**JUCFP242HX11**

# REQUISITOS DE INSTALACIÓN

## HERRAMIENTAS Y PIEZAS

Reúna las herramientas y piezas necesarias antes de empezar la instalación.

Lea y siga las instrucciones proporcionadas con las herramientas enumeradas aquí.

### HERRAMIENTAS Y PIEZAS NECESARIAS:

- Destornillador
- Taladro inalámbrico
- Broca de 1/8"
- Cinta métrica
- Nivel

### HERRAMIENTAS ADICIONALES NECESARIAS (SÓLO PARA EL PANEL SUPERPUESTO PERSONALIZADO):

- Tijeras
- Lápiz
- Escriba

### PIEZAS NECESARIAS (SÓLO PARA EL PANEL SUPERPUESTO PERSONALIZADO):

- Paneles de cajones superpuestos personalizados: consulte "Paneles de cajones superpuestos personalizados."
- Ferrería

### PIEZAS NECESARIAS (SÓLO PARA EL PANEL SUPERPUESTO PERSONALIZADO):

- Ganchos (8)
- Tornillos (16)
- Tornillos autorroscantes para madera (4)

## REQUISITOS DE LA LOCALIZACIÓN

### ⚠ ADVERTENCIA



#### Peligro de Explosión

Mantenga materiales inflamables y vapores, como gasolina, lejos del cajón doble.

No hacerlo podrá resultar en muerte, explosión o incendio.

### IMPORTANTE:

Ese aparato ha sido diseñado para ser usado en ambientes domésticos y aplicaciones similares, tales como:

- Áreas con personal de cocina en tiendas, oficinas y otros ambientes de trabajo;
- Haciendas y por clientes en hoteles, moteles y otros tipos de ambientes residenciales;
- Ambientes del tipo albergues;
- Buffet y otras aplicaciones no comerciales.

### NOTAS:

- Para que el Cajón Doble quede al ras con la parte delantera de los gabinetes de la base, retire los rodapiés o molduras de la parte trasera de la abertura. Consulte "Dimensiones del producto" y más adelante en esta sección, "Dimensiones de Abertura".
- Se recomienda que el cajón doble no sea instalado cerca de un horno, radiador, u otra fuente de calor.

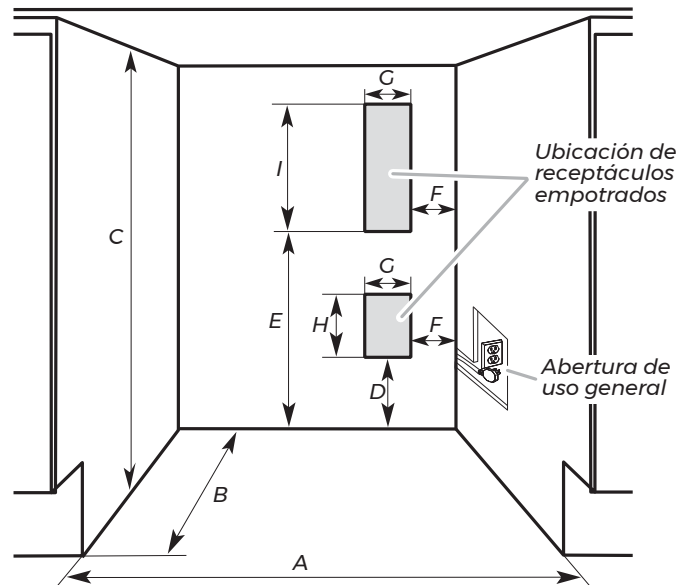
- No instale en un local donde la temperatura caerá por debajo de los 55 °F (13 °C). Para un mejor desempeño, no instale el cajón doble por detrás de una puerta de alacena ni bloquee la rejilla de la base.

### DIMENSIONES DE APERTURA:

- Las dimensiones de altura se muestran con las patas niveladoras extendidas a una altura mínima de 1/4" (6 mm) por debajo de los cajones del refrigerador.

**NOTA:** Cuando las patas niveladoras estén completamente extendidas a 1" (25 mm) por debajo de los cajones del refrigerador, agregue 3/4" (19 mm) a las dimensiones de altura. Consulte "Dimensiones del Producto".

- Si el piso de la abertura no está nivelado con el piso de la cocina, calce la abertura para nivelarla con el piso de la cocina.



### Dimensiones de la abertura y localización de los servicios

Ancho de la abertura - A	24" (60.96 cm) min.
Profundidad de la abertura - B	24" (60.96 cm) min.
Altura de la abertura - C	34 1/2" (87.6 cm) min. 35" (88.9 cm) max.
Dimensión - D	12 1/16" (30.64 cm)
Dimensión - E	21 3/4" (55.24 cm)
Dimensión - F	1 3/4" (4.44 cm)
Dimensión - G	3" (7.62 cm)
Dimensión - H	4 1/2" (11.43 cm)
Dimensión - I	9 1/4" (23.49 cm)

Para instalación al ras, el tomacorriente puede ser instalado en un gabinete adyacente con un corte en el lado del cable de alimentación para encaminarlo hasta allí.

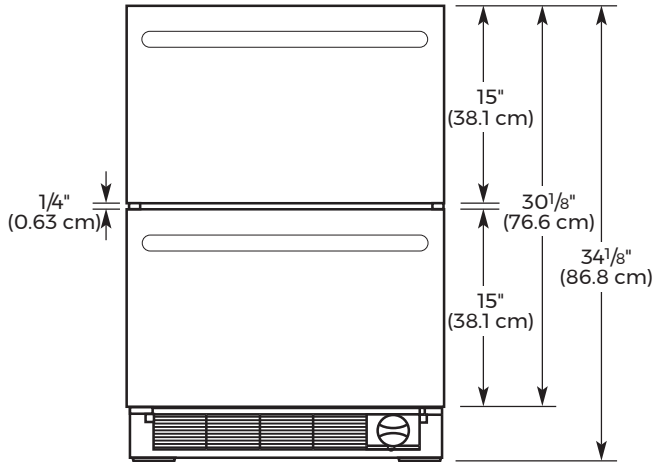
El tomacorriente también puede ser empotrado en la pared posterior, por detrás de la unidad, según la localización de receptáculo recomendada en la ilustración.

## DIMENSIONES DEL PRODUCTO

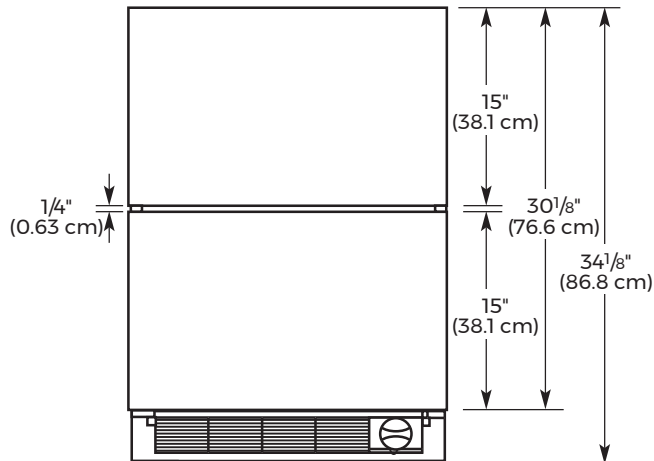
### ALTURA DEL CAJÓN:

- La altura se muestra con las patas de nivelación extendidas a 1/4" (0,63 cm) abajo del cajón refrigerador.
- Cuando las patas de nivelación estuvieren extendidas a 1" (2,54 cm) abajo del cajón refrigerador, añade 3/4" (1,9 cm) a la altura.
- El cable de alimentación tiene 60" (152,4 cm) de largo.

### ESTILO 1 - ACERO INOXIDABLE (VISIÓN FRONTAL)

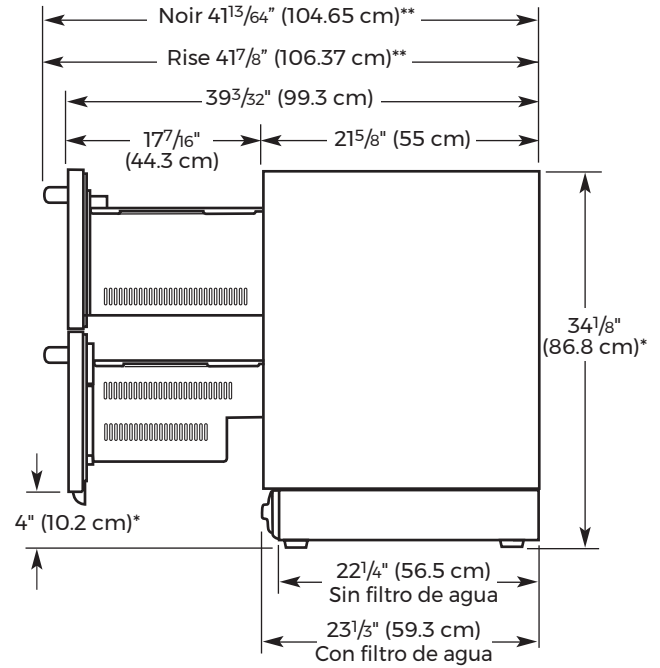


### ESTILO 2 - PANEL DE SUPERPOSICIÓN (VISIÓN FRONTAL)

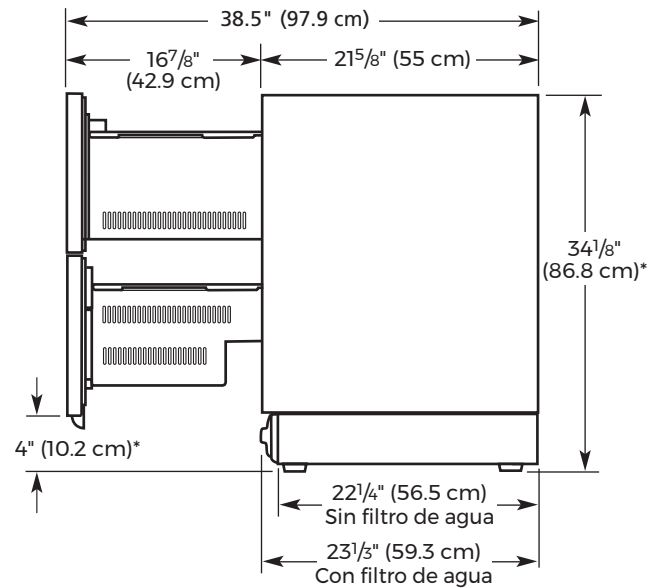


## LARGO DEL CAJÓN:

### ESTILO 1 - ACERO INOXIDABLE (VISIÓN LATERAL)



### ESTILO 2 - PANEL DE SUPERPOSICIÓN (VISIÓN LATERAL)

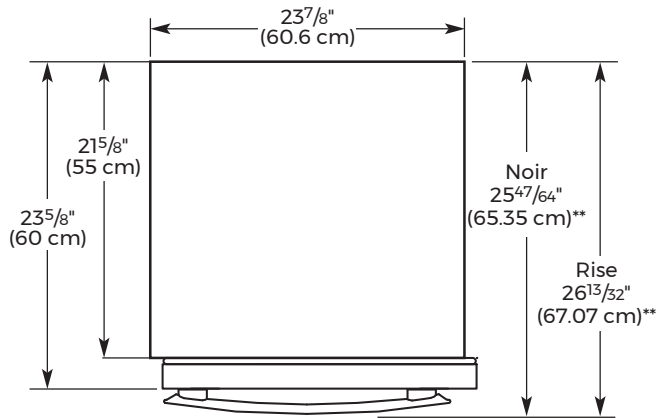


\* Añada 3/4" (1,9 cm) a la altura cuando las patas de nivelación estuvieren totalmente extendidas.

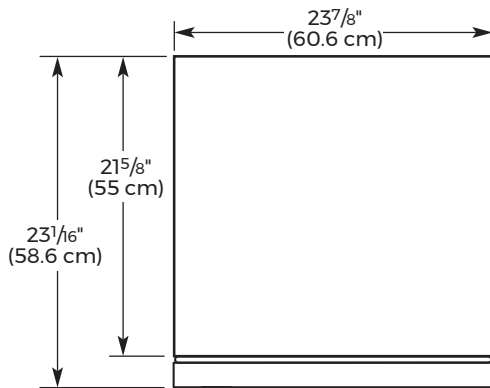
\*\* Para modelos con paneles personalizados, esto variará.

## ANCHO DEL CAJÓN:

### ESTILO 1 - ACERO INOXIDABLE (VISIÓN SUPERIOR)



### ESTILO 2 - PANEL DE SUPERPOSICIÓN (VISIÓN SUPERIOR)



\* Añada 3/4" (1,9 cm) a la altura cuando las patas de nivelación estuvieren totalmente extendidas.

\*\* Para modelos con paneles personalizados, esto variará.

## PANELES DE SUPERPOSICIÓN DE CAJONES PERSONALIZADOS

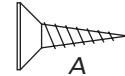
Si está planeando instalar un panel de superposición personalizado, usted mismo deberá crear el panel o consultar un fabricante de alacenas o carpintero calificado. Consulte los dibujos de las dimensiones para las especificaciones del panel.

### IMPORTANTE:

- El espesor del panel de superposición debe ser de 3/4" (1.9 mm).
- Para evitar dañar los cajones, el peso máximo de cada panel de superposición debe ser de 10 lb (4,54 kg).
- No exceda la altura de los paneles de superposición. Los paneles que exceden la altura pueden dañar los cajones refrigerantes, las alacenas o la encimera.
- El ancho de los paneles de superposición puede variar según el ancho de la abertura de la alacena.

Para la instalación del panel personalizado, las siguientes herramientas serán necesarias:

- 8 Tornillos para madera
- 8 Soportes



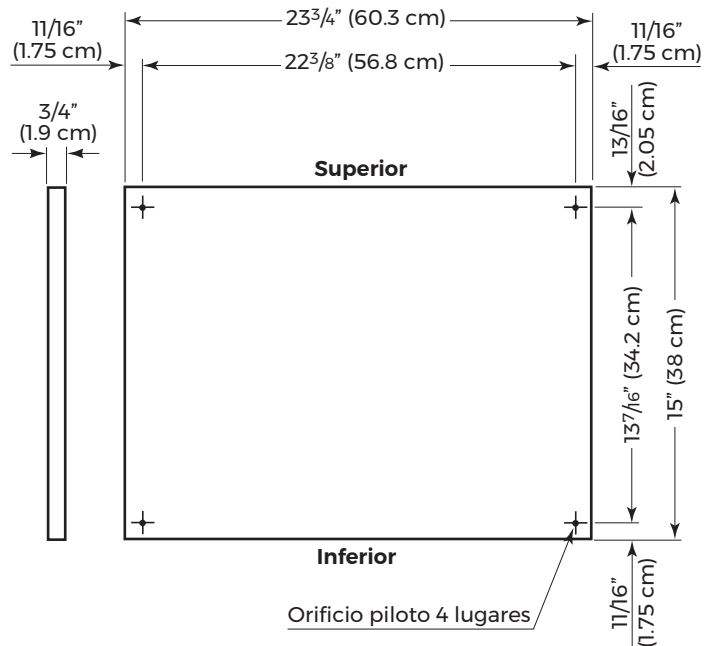
A- M4 x 32

B- Soportes izquierdo y derecho

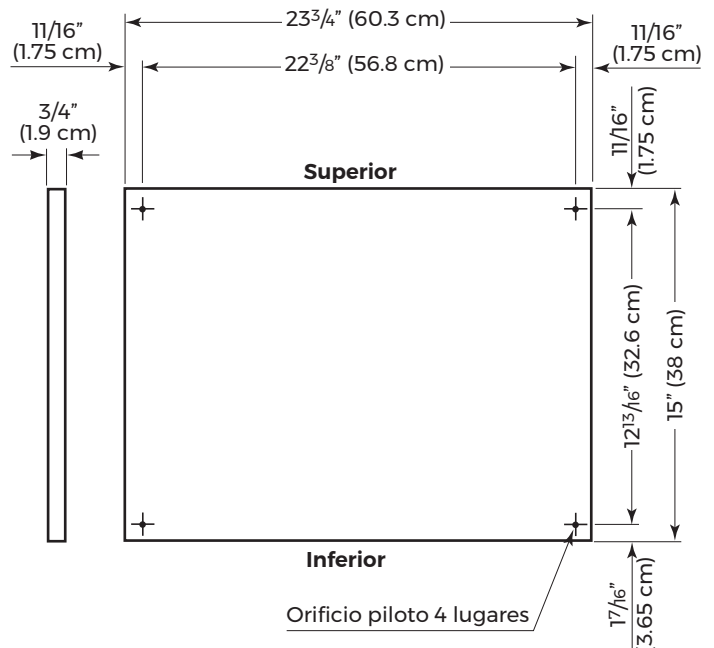


## DIMENSIONES DEL PANEL SUPERPUESTO SUPERIOR E INFERIOR:

### PUERTA SUPERIOR



### PUERTA INFERIOR



## REQUISITOS ELÉCTRICOS

### ⚠ ADVERTENCIA



#### Peligro de Choque Eléctrico

Conéctelo en un tomacorriente de 3 polos con toma de tierra.

No retire la clavija con toma de tierra.

No utilice un adaptador.

No utilice una extensión eléctrica.

No seguir estas instrucciones podrá resultar en muerte, incendio o choque eléctrico.

Antes de mover su cajón doble hasta su localización final, asegúrese de que usted posee la conexión eléctrica adecuada.

#### MÉTODO DE PUESTA A TIERRA RECOMENDADO:

Una fuente de alimentación de 115 VAC, 60 Hz, 15 A o 20 A con fusibles y puesta a tierra es necesaria.

Se recomienda un circuito separado para alimentar solamente a su cajón doble.

Utilice un tomacorriente que no puede ser apagado por un interruptor. No utilice una extensión eléctrica.

**NOTA:** Antes de realizar algún tipo de instalación, limpieza o de quitar una bombilla, desconecte el cajón doble o la fuente de alimentación.

## INSTRUCCIONES DE INSTALACIÓN

### DESEMPAQUE DEL CAJÓN DOBLE

### ⚠ ADVERTENCIA

#### Peligro de Peso Excesivo

Use dos o más personas para mover e instalar o desinstalar el aparato.

No seguir esta instrucción puede ocasionar una lesión en la espalda u otro tipo de lesiones.

#### RETIRE EL EMBALAJE:

Antes de utilizar su cajón doble, deberá quitar todos los materiales de embalaje y limpiar el interior.

- Quite los residuos de cinta adhesiva y de pegamento de las superficies antes de encender su cajón doble. Con sus dedos, frote una pequeña cantidad de detergente para platos sobre cualquier adhesivo y limpie con agua caliente para eliminarlo.
- No utilice instrumentos afilados, alcohol para frotar, fluidos inflamables o limpiadores abrasivos para eliminar cinta adhesiva o pegamento. Ellos pueden dañar las superficies de su cajón doble. Para más información, vea la sección "Seguridad del Cajón Doble".
- Deshágase de y/o recicle todos los materiales de embalaje.
- Después que todos los materiales de embalaje han sido quitados, limpie el interior de su cajón doble. Vea las instrucciones de limpieza de la sección "Limpieza".

#### Al mover los cajones de su refrigerador:

Los cajones de su refrigerador son pesados. Cuando mueva el electrodoméstico para repararlo, asegúrese de cubrir el piso con cartón o madera prensada para evitar daños en el piso. Siempre tire del aparato hacia afuera cuando lo mueva. No mueva ni "pasee" el electrodoméstico cuando intente moverlo, ya que podría dañar el piso.

#### LIMPIE ANTES DE UTILIZAR:

Después de remover todos los materiales de embalaje, limpie el interior de su cajón doble antes de utilizarlo. Vea "Limpieza".

### REQUISITOS DE SUMINISTRO DE AGUA (SOLAMENTE PARA CAJÓN REFRIGERADOR/CONGELADOR)

Reúna las herramientas y piezas necesarias antes de empezar la instalación. Lea y siga las instrucciones provistas con las herramientas listadas aquí.

#### IMPORTANTE:

- Conectar al suministro de agua potable.

No lo use con agua microbiológicamente insegura o de calidad desconocida sin una desinfección adecuada del sistema antes o después. Los sistemas certificados para la reducción de quistes pueden usarse en aguas desinfectadas que pueden contener quistes filtrables.

- Si encender el refrigerador antes de conectarlo a la tubería de agua, apague la máquina de hielo (IceMaker).
- Todas las instalaciones deben satisfacer las exigencias del código de fontanería local.
- Utilice tubos de cobre y compruebe si hay fugas. Instale tubos de cobre solamente en áreas donde la temperatura del hogar permanecerá por encima de la temperatura de congelación.

#### HERRAMIENTAS NECESARIAS:

Destornillador de punta plana, llaves de boca abierta de 7/16" y 1/2" o dos llaves ajustables, atornillador de tuercas y broca de 1/4", taladradora sin cable.

**NOTA:** Su vendedor de refrigeradores tiene un kit que posee una válvula de cierre del tipo silla de montar, una conexión y tubos de cobre. Antes de comprar, asegúrese de que la válvula del tipo silla de montar satisfaga los



códigos de fontanería locales. No utilice una válvula del tipo perforadora o de silla de montar de 3/16" que reduce el flujo de agua y facilita el atasco.

### PRESIÓN DEL AGUA:

Un suministro de agua fría con la presión de entre 30 y 120 psi (207 y 827 kPa) es necesario para operar la máquina de hielo. Si tiene alguna pregunta sobre la presión del agua, contacte un fontanero licenciado y calificado.

### SUMINISTRO DE AGUA DE ÓSMOSIS INVERSA:

**IMPORTANTE:** La presión del suministro de agua que proviene de un sistema de ósmosis inversa a la válvula de entrada de agua del refrigerador debe estar entre 30 y 120 psi (207 y 827 kPa).

Si un sistema de filtración de agua por ósmosis inversa está conectado a su suministro de agua fría, la presión del agua al sistema de ósmosis inversa debe ser por lo menos de 40 a 60 psi (276 a 414 kPa).

Si la presión de agua al sistema de ósmosis inversa es inferior a 40-60 psi (276 a 414 kPa):

- Verifique si el filtro de sedimentos del sistema de ósmosis inversa está bloqueado. Sustituya el filtro, si necesario.
- Permita que el tanque de almacenamiento del sistema de ósmosis inversa se vuelva a llenar después de un uso intensivo.

Si tiene alguna pregunta sobre la presión del agua, contacte un fontanero licenciado y calificado.

## CONEXIÓN DEL SUMINISTRO DE AGUA (SOLAMENTE PARA CAJÓN REFRIGERADOR/ CONGELADOR)

### CONECTAR EL DISPOSITIVO A LA LÍNEA DE AGUA:

No lo use con agua microbiológicamente insegura o de calidad desconocida sin una desinfección adecuada del sistema antes o después. Los sistemas certificados para la reducción de quistes pueden usarse en aguas desinfectadas que pueden contener quistes filtrables.

1. Desconecte el refrigerador o la fuente de alimentación.
2. Cierre el suministro de agua principal. Abra el grifo más cercano para vaciar la tubería de agua.
3. Localice un tubo vertical de agua fría de 1 1/2" a 1 1/4" (3,81 cm a 3,18 cm) cerca del refrigerador.

### IMPORTANTE:

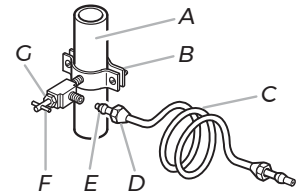
- Conectar solo al suministro de agua potable.
- Asegúrese de que este sea un tubo de agua fría.
- Los tubos horizontales también sirven, pero haga un orificio en la parte superior del tubo, no en la parte inferior. Eso ayudará a mantener el agua lejos de la taladradora y que sedimentos normales sean colectados por la válvula.

4. Determine la longitud del tubo de cobre que necesita. Mida desde la conexión de la parte trasera inferior izquierda del refrigerador al tubo de agua. Añada 7 ft (2,1 m) para posibilitar la limpieza.

Utilice un tubo de cobre de 1/4" (0,63 cm) de O.D. (diámetro exterior). Asegúrese que las dos extremidades del tubo de cobre sean cortadas de modo alineado.

5. Empleando una taladradora sin cable, haga un orificio de 1/4" en el tubo de cobre que ha elegido.

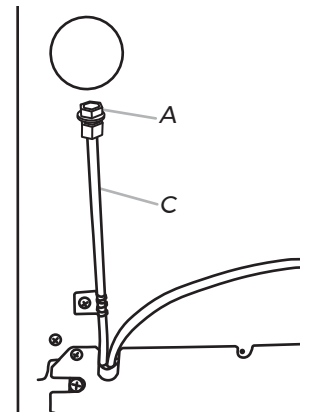
- A- Tubo de agua fría
- B- Abrazadera para tubo
- C- Tubo de cobre
- D- Tuerca de compresión
- E- Manga de compresión
- F- Válvula de cierre
- G- Tuerca de empaque



6. Fije la válvula de cierre al tubo de agua fría con la abrazadera para tubo. Asegúrese de que la extremidad de salida está bien fija en el orificio de 1/4" del tubo de agua y que la arandela está debajo de la abrazadera para tubo. Apriete la tuerca de empaque. Apriete los tornillos de la abrazadera para tubo lenta y uniformemente hasta que la arandela cree un sello estanco. No apriete demasiado para no aplastar el tubo de cobre.
7. Insiera la manga de compresión y la tuerca de compresión en el tubo de cobre, como se muestra aquí. Insiera la extremidad del tubo en la extremidad de salida de modo alineado tan lejos como sea posible. Apriete la tuerca de compresión en la extremidad de salida con una llave ajustable. No apriete demasiado.
8. Insiera la extremidad libre del tubo en un contenedor o un fregadero, y abra el suministro de agua principal. Deje el agua correr hasta que esté limpia. Cierre la válvula de cierre del tubo de agua. Enrolle el tubo de cobre.

### CONEXIÓN AL REFRIGERADOR:

1. Conecte el tubo de cobre a la entrada de la válvula utilizando una tuerca y la manga de compresión como se muestra aquí. Apriete la tuerca de compresión. No apriete demasiado. Utilice la abrazadera para tubos en la parte trasera del refrigerador para fijar el tubo al refrigerador, como se muestra aquí. Esto evitará dañar el tubo cuando se vuelva a empujar el refrigerador contra la pared.
2. Cierre la válvula de cierre.
3. Compruebe si hay fugas. Apriete las conexiones (incluyendo las conexiones de la válvula) o tuercas con fugas.



- A- Tapón con tuerca de compresión
- C- Tubo PEX

- La máquina de hielo (Ice Maker) está equipada con un filtro de agua integrado. Si las condiciones de su agua requieren un segundo filtro de agua, lo instale en la tubería de agua de 1/4" (0,63 cm) en cada lado de la conexión de la tubería. Contacte su vendedor de aparados más cercano para obtener un filtro de agua.
- Conecte el refrigerador o la fuente de alimentación.

## MOVER EL CAJÓN DOBLE HASTA SU LOCALIZACIÓN FINAL

- Ponga cartones o contrachapado debajo del aparato. Remueva la plataforma rodante.
- No quite la película o la cubierta.

**⚠ ADVERTENCIA**



**Peligro de Choque Eléctrico**

**Conéctelo en un tomacorriente de 3 polos con toma de tierra.**

**No retire la clavija con toma de tierra.**

**No utilice un adaptador.**

**No utilice una extensión eléctrica.**

**No seguir estas instrucciones podrá resultar en muerte, incendio o choque eléctrico.**

- Conéctelo en un tomacorriente de 3 polos con toma de tierra.

**⚠ ADVERTENCIA**

**Peligro de Peso Excesivo**

**Use dos o más personas para mover e instalar o desinstalar el aparato.**

**No seguir esta instrucción puede ocasionar una lesión en la espalda u otro tipo de lesiones.**

- Mueva el cajón doble hacia atrás e igualmente delante de la abertura.

## INSTALACIÓN DEL PANEL SUPERPUESTO PERSONALIZADO

### IMPORTANTE:

- Para los modelos estándar de acero inoxidable, omita estas instrucciones y vaya a la sección "Nivelación del Cajón Doble"
- Cree un panel superpuesto personalizado de acuerdo con las especificaciones de la sección "Paneles de cajones superpuestos personalizados".
- JennAir no es responsable de la eliminación o adición de molduras o paneles decorativos que no permitirían el acceso al refrigerador para realizar el servicio.

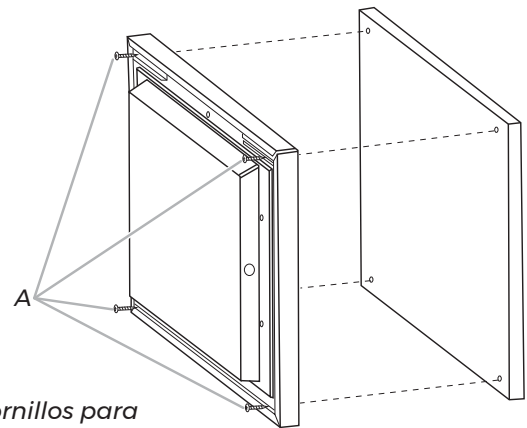
## COLOCAR EL PANEL SUPERPUESTO:

**NOTA:** Si los ganchos superpuestos no están instalados, consulte la sección "Paneles de Superposición de Cajones Personalizados" para conocer las ubicaciones de los ganchos superpuestos. La ubicación de los ganchos debe ser lo más precisa posible. Si el panel personalizado se coloca incorrectamente, esto puede interferir con el uso óptimo de los cajones.

- Coloque la manija personalizada de su preferencia en la superposición antes de colocar la superposición en el cajón del refrigerador.

**NOTA:** Las manijas personalizadas pueden variar en dimensiones. Los agujeros deben hacerse en el panel de acuerdo con las dimensiones específicas de su manija.

- Fije los ganchos a sus correspondientes cavidades en el panel, utilizando los tornillos SS Flat M4x12. Se necesitan dos tornillos por gancho. Los ganchos deben estar en el borde exterior del panel.



A- 4 tornillos para madera

- Tire suavemente hacia atrás de la junta de las esquinas superiores de la puerta hasta que pueda ver el tornillo que está detrás de la junta. Hay un tornillo en cada lado. No es necesario quitar la junta.
- Quite los tornillos detrás de la junta (uno por lado).
- Alinee el panel con el cajón y coloque el panel superpuesto 1/2" (12,5 mm) más alto que la puerta. Coloque los ganchos superpuestos con los orificios piloto y empújelos en los orificios. El cajón tiene espuma aislante en su interior, por lo que es posible que sienta alguna interferencia al empujar. Empuje hasta que los ganchos atraviesen la espuma.
- Empuje hacia abajo en el panel superpuesto para fijar los ganchos superpuestos al cajón.
- Con los tornillos autorroscantes para madera (dos por cajón; uno en cada esquina de los cajones), fije el panel al cajón.

**NOTA:** No vuelva a colocar en la puerta los tornillos que quitó en el paso 4.

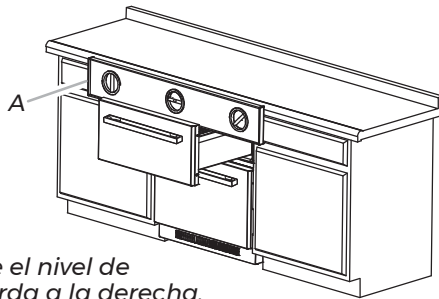
- Una vez que el panel superpuesto esté bien fijado al cajón con los dos tornillos, vuelva a colocar la junta en su lugar presionándola contra la puerta hasta que la junta esté uniforme y firmemente fijada.

## NIVELACIÓN DEL CAJÓN DOBLE

### IMPORTANTE:

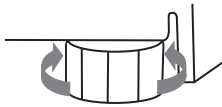
- Modelo de Panel de Superposición - Asegúrese de instalar los paneles de superposición de cajones personalizados antes de nivelar el cajón doble. Vea "Instalación de los Paneles de Superposición de Cajones Personalizados".
- Antes de instalar el cajón doble, asegúrese de que la encimera esté nivelada.
- Si la encimera no está nivelada, ajuste las patas de nivelación del cajón doble hasta que el aparato esté alineado con la encimera. Asegúrese de mantener una distancia mínima de 3/8" (0,95 cm) entre la parte superior del cajón y la encimera.

1. Abra el cajón superior y ponga el nivel sobre el cajón, como se muestra aquí. Verifique el nivel de la izquierda a la derecha.



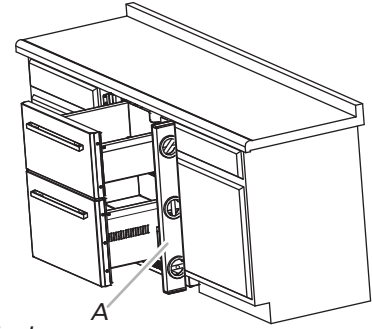
A- Verifique el nivel de la izquierda a la derecha.

2. Gire las patas de nivelación (frontales y traseras) hasta que las medidas del cajón superior estén niveladas de la izquierda a la derecha.



3. Quite el nivel y cierre el cajón superior. Verifique la distancia entre la parte superior del cajón y la encimera. Si la distancia es menor que el mínimo de 3/8" (0,95 cm), gire los cuatro tornillos de nivelación igualmente a la izquierda para levantar las patas de nivelación (esto bajará el aparato). Verifique el nivel de nuevo.
4. Abra los dos cajones menos de la mitad. Ponga el nivel en la brida lateral de los cajones, como se muestra aquí.

Gire los tornillos de nivelación frontales juntos para levantar o bajar el aparato hasta que los lados del cajón doble estén nivelados.



A- Verifique el nivel de adelante hacia atrás.

5. Quite el nivel y cierre los cajones. Verifique la distancia entre la parte superior del cajón y la encimera. Si la distancia es menor que 3/8" (0,95 cm), gire los cuatro tornillos de nivelación igualmente para levantar las patas de nivelación (esto bajará el aparato). Verifique el nivel de nuevo.

**NOTA:** Asegúrese de verificar nuevamente el nivel horizontal del cajón superior.

6. Asegúrese de que los cuatro niveladores estén en el piso y que estén soportando todo el peso del cajón doble.

## CONCLUSIÓN DE LA INSTALACIÓN

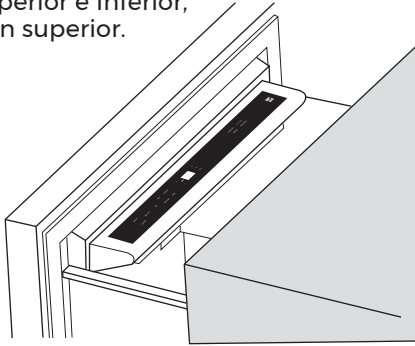
1. Quite todas las cajas, embalaje de piezas y materiales de empaque del interior del cajón doble.
2. Quite la película.
3. Limpie el cajón doble antes de utilizarlo.
4. Los controles son preajustados de fábrica según las configuraciones recomendadas. Asegúrese de que el compresor esté funcionando correctamente y que todas las luces indicadores estén funcionando.
5. Si la construcción continuará después de la instalación del cajón doble, apague la alimentación de los dos cajones.

Para utilizar su nuevo cajón doble de la manera más eficiente posible, lea la sección "Utilización del Cajón Doble".

# UTILIZACIÓN DEL CAJÓN DOBLE

## UTILIZANDO LOS CONTROLES

Los paneles de control del cajón doble están localizados en el cajón superior. Para ver y configurar el panel de control Superior e Inferior, jale el cajón superior.



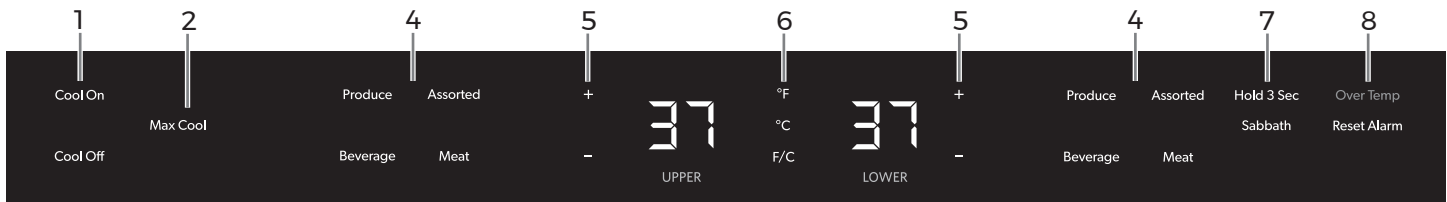
### IMPORTANTE:

- Espere 24 horas después de encender el cajón doble antes de colocar alimentos en él. Si lo hace antes que

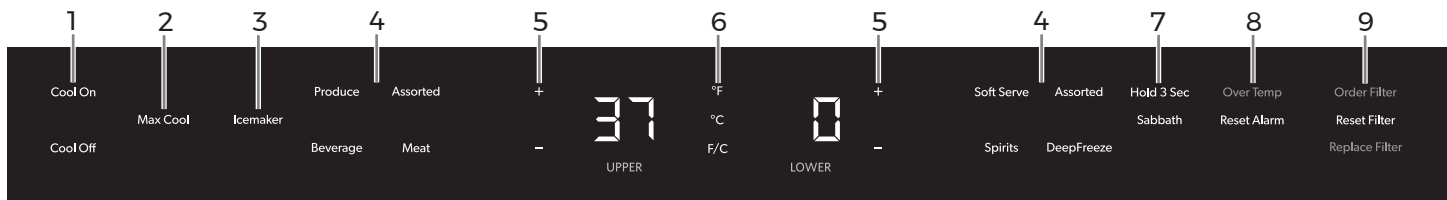
los cajones estén totalmente enfriados, su alimento puede se estropear.

**NOTA:** Ajustar los controles a una configuración más baja (más fría) en un o en los dos cajones no le(s) enfriará más rápido.

- Si la temperatura está demasiado caliente o fría en los cajones, verifique las rejillas de ventilación primero para asegurarse de que no estén bloqueadas antes de ajustar a los controles.
- Las configuraciones preajustadas deben ser apropiadas para la utilización normal de un hogar. El control del refrigerador estará bien configurado cuando la leche o el jugo estén tan fríos como quiera.
- El control del congelador estará bien configurado cuando el helado esté firme.
- La temperatura real puede diferir de la temperatura del visualizador cuando un cajón es abierto por un período más grande.



Modelo Refrigerador



Modelo Refrigerador/Congelador

## 1. Encendiendo/Apagando los Cajones (On/Off):

- Cuando se conecta el refrigerador por primera vez, el control estará en el modo Enfriamiento Apagado (Cool Off). Enfriamiento Encendido (Cool On) y Enfriamiento Apagado (Cool Off) serán las únicas opciones presentadas.
- Presione Enfriamiento Encendido (Cool On) para encender los cajones. Todos los menús y configuraciones de temperatura recomendadas serán presentados.
- La temperatura izquierda y los paneles táctiles preajustados controlan la temperatura del compartimiento superior.
- La temperatura derecha y los paneles táctiles preajustados controlan la temperatura del compartimiento inferior.



## 2. Enfriamiento Máximo (Max Cool):

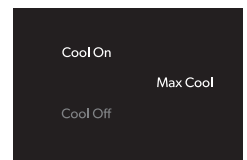
La función Enfriamiento Máximo (Max Cool) ayuda durante períodos de uso intensivo, de cargas completas de alimentos y de temperaturas ambientales temporalmente calientes.

El Enfriamiento Máximo (Max Cool) ajustará la temperatura del cajón refrigerador a 32 °F (0 °C) y del cajón congelador a -3 °F (-19,4 °C) durante 24 horas.

Presione Enfriamiento Máximo (Max Cool) para activar la función Enfriamiento Máximo (Max Cool).

**NOTA:** El visualizador de temperatura permanecerá a -3 °F (-19,4 °C) y la luz indicadora permanecerá encendida durante un período de 24 horas a menos que una das siguientes cosas se pase:

- El usuario ajusta la temperatura de un compartimento.
- El Modo Enfriamiento Apagado (Cool Off) es activado (por el usuario).



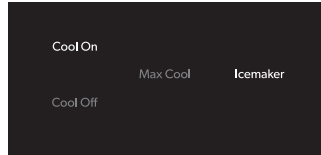
- El Modo Sábado (Sabbath) es activado (por el usuario).
- Después de 24 horas, la temperatura retornará automáticamente a la temperatura de punto de ajuste anterior y la luz indicadora se apagará.

**NOTA:** Si la temperatura de punto de ajuste anterior ha sido ajustada para Helado Suave en el cajón congelante, la temperatura retornará a la temperatura recomendada de 0 °F (-17,7 °C) cuando el ciclo de la función Enfriamiento Máximo (Max Cool) esté terminado.

### 3. Máquina de Hielo (Ice Maker) y Sistema de Filtración de Agua (Solamente para Cajón Refrigerador/Congelador)

**IMPORTANTE:**

Después de conectar el refrigerador a la fuente de agua o reemplazar el filtro de agua, llene y descarte tres contenedores llenos de hielo para preparar el filtro de agua para utilización antes de utilizar el hielo.



#### ENCENDIENDO/APAGANDO LA MÁQUINA DE HIELO (ICE MAKER):

**IMPORTANTE:**

Utilice el panel táctil de la máquina de hielo del panel de control para encender o apagar la máquina de hielo. No ajuste la corredera de la máquina de hielo.

- Presione el panel táctil Máquina de Hielo (ICEMAKER) para encender la máquina de hielo. La luz indicadora se encenderá (On).
- Presione el panel táctil Máquina de Hielo (ICEMAKER) para apagar la máquina de hielo.

**RECUERDE:**

- Espere 24 horas antes de producir su primer lote de hielo.
- La calidad de su hielo será tan buena cuanto la calidad del agua suministrada a su máquina de hielo.
- Evite conectar la máquina de hielo a una fuente de agua descalcificada. Productos químicos descalcificadores de agua (como la sal) pueden dañar las piezas de su máquina de hielo y producir hielo de mala calidad. Si no es posible evitar la fuente de agua descalcificada, asegúrese de que el descalcificador de agua esté funcionando correctamente y que reciba un buen mantenimiento.
- No almacene nada en la cesta de almacenamiento de hielo.
- Cuando el refrigerador se enciende por primera vez, la máquina de hielo se apaga. (La luz indicadora de la máquina de hielo se atenuará).
- Después de confirmar que se puede suministrar agua automáticamente a la máquina de hielo (conectando el refrigerador a la fuente de agua o reemplazando el filtro de agua, presione el panel táctil ICEMAKER para encender la máquina de hielo. (La luz indicadora se iluminará). Cuando no se pueda suministrar agua automáticamente (no se conecta a la fuente de agua, etc.) y la caja de hielo no está llena de hielo, si la máquina de hielo está encendida, ésta seguirá funcionando y el calentador interno de la máquina de hielo funcionará con frecuencia. Esto calentará el

refrigerador, lo que aumentará la velocidad de funcionamiento del compresor y el consumo de energía. Si no necesita la máquina de hielo (incluido el suministro automático de agua), debe apagarla (la luz indicadora se atenuará).

### 4. Utilizando los Preajustes:

Para su conveniencia, cada cajón también posee controles que han sido preajustados según la temperatura de almacenamiento recomendada para productos específicos.



Estilo 1: Modelo Refrigerador



Estilo 2: Modelo Refrigerador/Congelador

Al presionar cualquier opción preestablecida, se establecerá el valor de temperatura a la temperatura recomendada para cada categoría:

#### Cajón Refrigerador:

- Frutas: 39 °F (3.8 °C)
- Variados: 37 °F (2.7 °C)
- Bebidas: 34 °F (1 °C)
- Carne: 32 °F (0 °C)

#### Cajón Congelador:

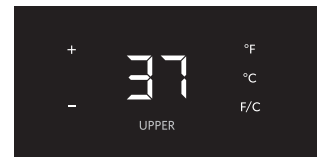
- Helado Suave: 6 °F (-14.4 °C)

**NOTA:** La configuración Helado Suave es temporaria y durara solo por 4 horas y retornará al punto de ajuste anterior cuando terminar.

- Variados: 0 °F (-17.7 °C)
- Bebidas: -2 °F (-18.8 °C)
- Congelar: -8 °F (-22 °C)

### 5. Estableciendo las temperaturas:

Cuando el refrigerador es encendido (On) por primera vez, una temperatura recomendada es establecida por defecto. Los controles ajustan la temperatura de los dos compartimientos de modo independiente.



Para ajustar temperaturas de punto de ajuste, presione “+” (más) o “-” (menos) hasta llegar a la configuración de temperatura deseada.

#### Modelo JUDFP242\*

**NOTA:**

- El punto de ajuste para el modelo de cajones dobles del refrigerador es 37 °F (2 °C). El rango del punto de ajuste para este modelo es de 32 °F a 42 °F (0 °C a 5 °C) para ambos compartimientos.



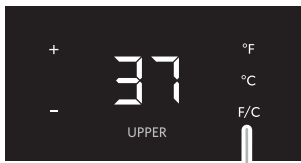
## Model JUCFP242\*

### NOTAS:

- El punto de ajuste para el modelo de cajones del refrigerador/congelador es 37 °F (2 °C) para el cajón del refrigerador y 0 °F (-17 °C) para el cajón del congelador. El rango del punto de ajuste para el modelo de cajones del refrigerador/congelador es de 32 °F a 42 °F (0 °C a 5 °C) para el cajón del refrigerador y de -8 °F a 6 °F (de -22 °C a -14 °C) para el cajón del congelador.
- Espere al menos 24 horas entre los ajustes para que el producto se aclimate.

## 6. Visualizando temperaturas Celsius:

- Presione el panel táctil F/C para alternar entre exhibir la temperatura en grados Fahrenheit y grados Celsius. La luz indicadora correspondiente se encenderá.

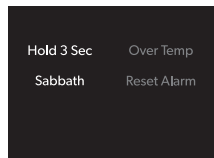


A. Panel táctil F/C

## 7. Modo Sábado (Sabbath):

El Modo Sábado (Sabbath) ha sido diseñado para viajeros o para aquellos cuyas observancias religiosas exigen que las luces sean apagadas. Al seleccionar esta función, la temperatura de punto de ajuste no será cambiada, pero las luces del panel e control, las luces interiores y el audio de control serán apagados. Para una operación más eficiente del cajón refrigerador, se recomienda salir del Modo Sábado (Sabbath) cuando este dejar de ser necesario.

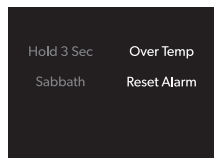
- Presione y mantenga SABBATH presionado por 3 segundos para encender la función. Después de la cuenta regresiva de 3 segundos, el recurso será activado y todos los otros visualizadores serán apagados.
- Presione y mantenga SABBATH presionado por 3 segundos para apagar la función y encender el visualizador.



## 8. Alarma de Exceso de Temp (Over Temp Alarm):

**NOTA:** Si la Alarma de Exceso de Temp (Over Temp Alarm) se activa, su alimento puede estropear. Vea "Interrupciones Eléctricas". Minimice la apertura de los cajones hasta que las temperaturas vuelvan a la normalidad.

La función Exceso de Temperatura (Over Temp) ha sido diseñada para avisarle que la temperatura del cajón refrigerador se ha elevado por encima de los 45 °F (7 °C) o que la temperatura del cajón congelador se ha elevado por encima de los 6 °F (-14,4 °C) por 4 horas o más. La alarma sonora será apagada automáticamente cuando la temperatura vuelva a la normalidad. Para que sepa que una condición de Exceso de Temperatura (Over Temp) ha ocurrido, la luz indicadora intermitente seguirá encendida hasta que el panel táctil reiniciar alarma sea presionado.



Si la condición de exceso de temperatura todavía existir cuando un reinicio de Exceso de Temperatura (Over Temp) es realizado, la luz indicadora continuará a ser reactivada cada 4 horas hasta que la temperatura del refrigerador y del congelador esté por debajo de los 45 °F (7 °C) y 15 °F (-9 °C), respectivamente.

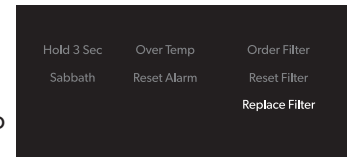
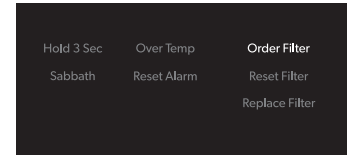
**NOTE:** Estas funciones no aparecerán en su control a menos que su refrigerador esté con exceso de temperatura y la alarma deba ser reiniciada.

## 9. Luz Indicadora del Filtro de Agua/Reinicio de Filtro:

La luz indicadora del filtro de agua le informará el momento de reemplazar su filtro de agua.

La luz indicadora cambiará de negro para amarillo cuando llegue el momento de comprar un nuevo filtro.

La luz indicadora cambiará de amarillo para rojo cuando llegue el momento de reemplazar el filtro de agua.



El filtro de agua desechable debe ser reemplazado por lo menos cada 6 meses. Después de reemplazar el filtro de agua, reinicie la luz indicadora del filtro de agua.

Presione y mantenga Reinicio de Filtro (RESET FILTER) presionado por 3 segundos. La luz indicadora se pagará.

**NOTA:** Estas funciones no aparecerán en su control a menos que necesite comparar o reemplazar su filtro.

### Sistema de filtración de agua:

No lo use con agua microbiológicamente insegura o de calidad desconocida sin una desinfección adecuada del sistema antes o después.

## Cajón abierto:

Si algún cajón está abierto por más de 5 minutos, sonará una alarma cada 2 minutos hasta que todos los cajones estén cerrados o se presione algún control.

## Modo Showroom:

Este modo se usa solo cuando el refrigerador está en exhibición en una tienda minorista. Si enciende involuntariamente el modo Showroom, Cool Off se iluminará en la pantalla y los controles parecerán que funcionan. Salga del modo Showroom manteniendo presionadas las teclas COOL ON y SABBATH al mismo tiempo durante 3 segundos.

## SONIDOS NORMALES

Su nuevo doble cajón puede producir sonidos que su refrigerador anterior no producía. Como esos sonidos le son nuevos, quizá ellos puedan preocuparte. La mayoría de esos sonidos son normales. Superficies duras, como el piso, las paredes y las alacenas, pueden hacerlos sonar más alto. Lo siguiente describe los tipos de sonidos y qué les pueden estar produciendo.



- Su cajón doble ha sido diseñado para funcionar con más eficiencia para mantener su alimento a las temperaturas deseadas y minimizar el consumo de electricidad. El compresor de alta eficiencia y los ventiladores pueden hacer su cajón doble funcionar por más tiempo que su anterior. Puede que usted también escuche un sonido pulsado o agudo del compresor o ventiladores ajustándose para un desempeño óptimo.
- Puede que usted también escuche el motor del ventilador evaporador haciendo el aire circular en el cajón doble. La velocidad del ventilador puede aumentar a medida que los cajones son abiertos o se añaden alimentos calientes.
- Al final de cada ciclo, quizá escuche un sonido de gorgoteo debido al flujo del refrigerante en la tubería de sistema sellado.
- La contracción y expansión de las paredes interiores puede causar un sonido de estallido.
- Puede que usted escuche el ventilador del condensador forzando el aire hacia el condensador.
- Puede que usted escuche el agua corriendo en la bandeja de drenaje durante el ciclo de apagado.

## GARANTIZANDO LA CIRCULACIÓN DE AIRE APROPIADA

Para garantizar las temperaturas apropiadas, se debe permitir que haga un flujo de aire en los cajones.

No bloquee las rejillas de ventilación. Si las rejillas son bloqueadas, el flujo de aire será obstruido y pueden ocurrir problemas de temperatura y humedad.

### IMPORTANTE:

Para evitar la transferencia de olores y que los alimentos se sequen, envuelva o cubra bien a los alimentos.

## MÁQUINA DE HIELO (ICE MAKER)

### USO DE LA MÁQUINA DE HIELO SIN EL FILTRO DE AGUA.

Puede hacer funcionar la máquina de hielo sin un filtro de agua. Su agua no se filtrará.


1. Deslice la tapa del filtro del extremo del filtro de agua. Con la tapa del filtro en posición horizontal, inserte la tapa en la rejilla de la base hasta que se detenga.

### IMPORTANTE:

No deseche la tapa. Ella forma parte de su refrigerador. Conserve la tapa para usarla con un filtro de repuesto.

## CUIDADOS Y LIMPIEZA

### LIMPIEZA

 <b>ADVERTENCIA</b>

<b>Peligro de Explosión</b>
<b>Riesgo de incendio o explosión.</b>
<b>Refrigerante inflamable utilizado.</b>
<b>No use dispositivos mecánicos para descongelar el refrigerador.</b>
<b>No perfore la tubería del refrigerante.</b>

Los cajones se descongelan automáticamente. Sin embargo, se recomienda que limpie ambos cajones aproximadamente una vez al mes para evitar la acumulación de olores. Limpie los derrames inmediatamente.

### PARA LIMPIAR SU CAJÓN DOBLE:

1. Desconecte el cajón doble o la fuente de alimentación.
  2. Lave a mano, enjuague y seque las piezas removibles y las superficies interiores con atención. Utilice una esponja limpia o un paño y detergente suaves en agua caliente.
- Para evitar dañar los dientes y molduras de madera, límpielos con una esponja limpia o un paño suave y agua tibia.

- No utilice limpiadores abrasivos o duros, como limpiadores en aerosol de ventanas, limpiadores de fregar, flujos inflables, ceras de limpieza, detergentes concentrados, blanqueadores o limpiadores que contengan productos de petróleo en piezas de plástico, en el interior y en los revestimientos de las puertas o juntas. No utilice toallas de papel, estropajos u otras herramientas duras de limpieza. Estos pueden rayar o dañar los materiales.
- Para ayudar a eliminar olores, usted puede lavar las paredes interiores con una mezcla de agua caliente y bicarbonato de sodio [2 cucharitas para 1 qt (26 g para 0,95 L) de agua].

3. Lave acero inoxidable y exteriores de metal pintado con una esponja limpia o con un paño y detergente suaves en agua caliente. No utilice limpiadores abrasivos, limpiadores duros o limpiadores que contienen cloro. Estos pueden rayar o dañar los materiales. Seque inmediatamente con un paño suave y seco para absorber los restos de agua.

**NOTA:** Para mantener su cajón doble de acero inoxidable como nuevo y para eliminar rayas y marcas menores, se recomienda que utilice el limpiador y pulidora de acero inoxidable aprobados por el fabricante. Para más información sobre limpiadores, vea la sección "Accesorios".

### IMPORTANTE:

- ¡Ese limpiador sirve solamente para piezas de acero inoxidable!
- No permita que el limpiador y pulidora de acero inoxidable entre en contacto con piezas de plástico, como las piezas de recorte, las tapas del dispensador o las juntas de la puerta. En caso de contacto no intencional, limpie la pieza de plástico con una esponja y detergente suave en agua caliente. Seque inmediatamente con un paño suave y seco para absorber los restos de agua.

## LIMPIEZA DEL CONDENSADOR

### ⚠ ADVERTENCIA



#### Peligro de Explosión

Riesgo de incendio o explosión a causa de la perforación de la tubería del refrigerante.

Siga con cuidado las instrucciones de manipulación.

Refrigerante inflamable utilizado.

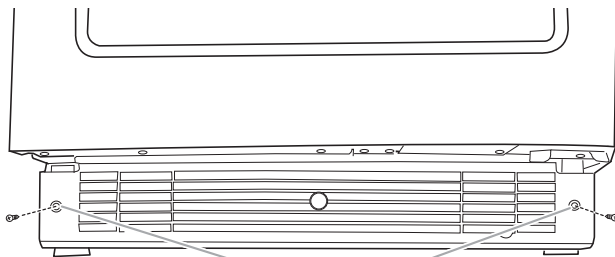
1. Retire la rejilla de la base para acceder al condensador para limpieza. Vea la sección "Removiendo la rejilla de la Base".
2. Limpie las bobinas del condensador regularmente. Estas están localizadas por detrás de la rejilla de la base. Las bobinas deben ser limpiadas una vez cada dos meses. Eso puede ayudar a ahorrar energía.

## REMOVIENDO LA REJILLA DE LA BASE

Debe quitarse la rejilla de la base para acceder a las bobinas del condensador para limpieza.

### PARA QUITAR LA REJILLA DE LA BASE:

1. Abra la puerta/cajón del cajón doble.



A. Tornillos

A

2. Utilizando un destornillador Phillips, retire los dos tornillos.
3. Retire la rejilla de la base.

### PARA SUSTITUIR LA REJILLA DE LA BASE:

1. Abra la puerta/cajón del cajón doble.
2. Coloque la rejilla de la base para que las dos pestañas se alineen y esta se encaje en la posición. Vuelva a poner los dos tornillos. Apriete los tornillos.

## REEMPLAZANDO EL FILTRO DE AGUA:

El filtro de agua está localizado a través de la reja de la base. No es necesario quitar la reja de la base para reemplazar el filtro de agua.

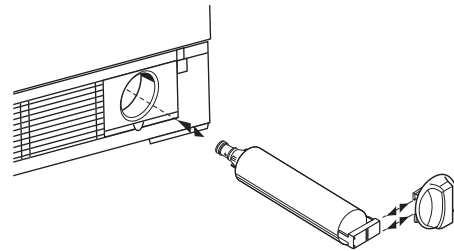
1. Localice la tapa del filtro de agua de la parte delantera de la reja de la base. Gire la tapa en sentido antihorario hacia la posición vertical y jale la tapa y el filtro de agua a través de la reja de la base.

**NOTA:** Habrá agua en el filtro. Se podrá derramar un poco.

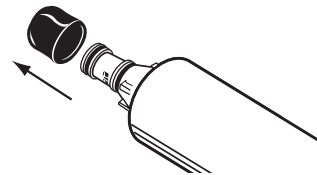
2. Quite la tapa del filtro deslizándola por la extremidad del antiguo filtro. La tapa deslizará a izquierda o a derecha.

### IMPORTANTE:

No descarte la tapa. Ella forma parte de su refrigerador. Guarde la tapa para utilizarla con el filtro de repuesto.

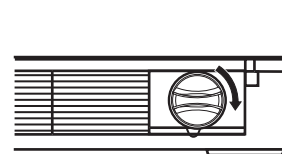


3. Quite el nuevo filtro de agua de su empaque y quite la cubierta de las juntas tóricas.



4. Ponga la tapa en el nuevo filtro de agua. Vea la ilustración en la Etapa 2.

Con la tapa del filtro en la posición vertical, insiera el nuevo filtro en la reja de la base hasta que pare. Gire la tapa del cartucho en sentido horario en la posición horizontal.



## UTILIZANDO LA MÁQUINA DE HIELO (ICE MAKER) SIN EL FILTRO DE AGUA:

Es posible utilizar la máquina de hielo (Ice Maker) sin un filtro de agua. Su agua no será filtrada. Quite la tapa del filtro a través de la extremidad del filtro de agua. Con la tapa del filtro en la posición horizontal, insiera la tapa en la reja de la base hasta que pare.

### IMPORTANTE:

No descarte la tapa. Ella forma parte de su refrigerador. Guarde la tapa para utilizarla con el filtro de repuesto.

## INTERRUPCIONES ELÉCTRICAS

Si la interrupción eléctrica se extenderá por 24 horas o menos, mantenga los cajones refrigerantes cerrados para mantener su alimento frío.

Si la interrupción eléctrica se extenderá por más de 24 horas, haga una de las siguientes cosas:

- Insiera todo alimento perecedero en un armario de comida o en una caja térmica con hielo seco.
- Si el armario de comida y la caja térmica no están disponibles, consuma todo alimento si todavía está frío o descarte todo alimento perecedero inmediatamente.

## CUIDADOS DE VACACIONES

Si elegir encender el cajón doble antes de partir, siga estas etapas:

1. Quite todo del cajón doble.
2. Desconecte el cajón doble.
3. Limpie el cajón doble. Vea la sección "Limpieza".
4. Coloque una goma o un bloque de madera con una cinta adhesiva en la parte superior de la puerta para

mantenerla suficientemente abierta para que el aire pueda entrar. Eso impedirá la acumulación de olores y moho.

## CUIDADOS DE DESPLAZAMIENTO

Al mover su cajón doble a su nuevo hogar, siga estos pasos para prepararlo para el desplazamiento.

1. Quite todo del cajón doble.
2. Desconecte el cajón doble.
3. Limpie, frote y seque bien el cajón doble.
4. Retire todas las piezas removibles, envuélvelas bien y fijelas con cinta para que no se desplacen y hagan ruidos durante la mudanza.
5. Cierre las puertas y prenda el cable de alimentación del cajón doble con cinta.

Al llegar en su nuevo hogar, ponga todo en su respectivo lugar y consulte las "Instrucciones de Instalación" que ha recibido con el cajón doble.

## RESOLUCIÓN DE PROBLEMAS

Intente las soluciones sugeridas aquí primero para evitar los costos de llamadas innecesarias de servicio de atención al cliente.

### ⚠ ADVERTENCIA



#### Peligro de Choque Eléctrico

Conéctelo en un tomacorriente de 3 polos con toma de tierra.

No retire la clavija con toma de tierra.

No utilice un adaptador.

No utilice una extensión eléctrica.

No seguir estas instrucciones podrá resultar en muerte, incendio o choque eléctrico.

### ⚠ ADVERTENCIA



#### Peligro de Explosión

Riesgo de incendio o explosión a causa de la perforación de la tubería del refrigerante.

Siga con cuidado las instrucciones de manipulación.

Refrigerante inflamable utilizado.

### ⚠ ADVERTENCIA



#### Peligro de Explosión

Riesgo de incendio o explosión.

Refrigerante inflamable utilizado.

No use dispositivos mecánicos para descongelar el Refrigerador.

No perfore la tubería del refrigerante.

### ⚠ ADVERTENCIA



#### Peligro de Explosión

Utilice un limpiador no inflamable.

No hacerlo podrá resultar en muerte, explosión o incendio.

## OPERACIÓN GENERAL

### EL CAJÓN DOBLE NO FUNCIONA

- **¿El cable de alimentación está desconectado?** Conéctelo en un tomacorriente de 3 polos con toma de tierra.
- **¿El tomacorriente está funcionando?** Conecte una lámpara para verificar si el tomacorriente está funcionando.

- **¿Fusible doméstico quemado o un disyuntor disparado?** Sustituya el fusible o reinicie el circuito. Si el problema persiste, llame a un electricista.
- **¿Los controles están encendidos?** Asegúrese de que los controles del cajón doble están encendidos. Consulte la sección “Controles”.
- **¿El control del refrigerador está en la función Enfriamiento Apagado (Cool Off)?** Vea “Utilizando los Controles”.
- **¿El cajón doble no enfría?** Apague y encienda para reiniciar. Vea “Utilizando los Controles”. Si esto no corrige el problema, póngase en contacto con el servicio.

#### **PARECE QUE EL MOTOR FUNCIONA POR MUCHO TIEMPO**

- **¿La temperatura externa está más elevada de lo normal?** Espere que el motor funcione por más tiempo en condiciones más calientes. Bajo temperaturas normales, espere que el motor funcione alrededor del 40 % al 80 % del tiempo. Bajo condiciones más calientes, espere que este funcione por más tiempo.
- **¿Una grande cantidad de alimento ha sido insertada en el cajón doble?** Insertar una grande cantidad de alimentos calienta los cajones refrigerantes. El motor funcionará normalmente por más tiempo para volver a enfriar los cajones refrigerantes.
- **¿Los cajones refrigerantes son abiertos con frecuencia?** El motor funcionará por más tiempo si esto se pasa. Economice electricidad quitando todos los ítems de una sola vez, manteniendo el alimento organizado y cerrando el cajón lo más pronto posible.
- **¿Los controles no han sido configurados correctamente para las condiciones ambientales?** Vea la sección “Controles”.
- **¿Los cajones no están totalmente cerrados?** Cierre bien los cajones. Si ellos no se cierran totalmente, vea “Los cajones no se cierran totalmente”, más adelante, en esta sección.
- **¿Las juntas del cajón no sellan todo alrededor?** Contacte un técnico u otra persona calificada.

#### **LOS CAJONES REFRIGERANTES APARENTEMENTE PRODUCEN RUIDOS EN DEMASÍA**

- **¿Los sonidos pueden ser normales para sus cajones refrigerantes?** Vea “Sonidos Normales”.

#### **EL DIVISOR ENTRE LOS DOS COMPARTIMENTOS ESTÁ CALIENTE**

- **¿El calor probablemente se debe al funcionamiento normal del control automático de humedad exterior?** Si todavía se preocupa, póngase en contacto con el servicio.

#### **LA TEMPERATURA ESTÁ DEMASIADO CALIENTE**

- **¿Las rejillas de ventilación están bloqueadas en uno de los compartimentos?** Esto impide la circulación de aire frío entre los compartimentos. Quite todos los objetos que están delante de las rejillas de ventilación. Vea “Garantizando la Circulación de Aire Apropiaada” para obtener la localización de las rejillas de ventilación.
- **¿Los cajones son abiertos con frecuencia?** Si esto se pasa, los cajones refrigerantes calentarán. Mantenga los cajones refrigerantes fríos quitando

todos los ítems de una sola vez, manteniendo el alimento organizado y cerrando la puerta lo más pronto posible.

- **¿Una grande cantidad de alimento ha sido insertada en los cajones refrigerantes?** Insertar una grande cantidad de alimentos calienta los cajones refrigerantes. Pueden se pasar diversas horas antes que los cajones refrigerantes vuelvan a su temperatura normal.
- **¿Los controles han sido configurados correctamente para las condiciones ambientales?** Vea “Utilizando los Controles”.
- **¿Los cajones refrigerantes no enfrían?** Apágalos y enciéndalos para reiniciarlos. Vea “Utilizando los Controles”. Si esto no corrige el problema, póngase en contacto con el servicio.
- **¿Se utiliza la máquina de hielo (Ice Maker)?** Cuando se utiliza la máquina de hielo, el calor de la máquina de hielo calienta el refrigerador. El motor funcionará normalmente para producir el hielo. Si la máquina de hielo está encendida cuando no es posible suministrar el agua automáticamente (no conectar a la fuente de agua, etc.), el calor de la máquina calientará el refrigerador, el motor funcionará por más tiempo y el consumo de electricidad aumentará. Vea “Encendiendo/Apagando la Máquina de Hielo (Ice Maker)”.

#### **HAY ACÚMULO DE HUMEDAD INTERIOR**

- **¿Las rejillas de ventilación están bloqueadas en los cajones refrigeradores?** Quite los objetos que están delante de las rejillas de ventilación. Vea “Garantizando la Circulación de Aire Apropiaada” para obtener la localización de las rejillas de ventilación.
- **¿Los cajones son abiertos con frecuencia?** Evite el acúmulo de humedad quitando todos los ítems de una sola vez, manteniendo el alimento organizado y cerrando el cajón lo más pronto posible.
- **¿La habitación está húmeda?** Es normal que la humedad se acumule dentro de los cajones refrigeradores cuando el aire de la habitación es húmedo.
- **¿El alimento está bien empacado?** Verifique se todos los alimentos están envueltos con seguridad. Seque contenedores de alimento húmedos antes de insertarlos en los cajones refrigerantes.
- **¿Los controles han sido configurados correctamente para las condiciones ambientales?** Vea “Utilizando los Controles”.

## **CAJONES**

#### **LOS CAJONES NO SE CIERRAN TOTALMENTE**

- **¿Los embalajes de comida impiden que el cajón sea cerrado?** Reorganice los contenedores para que ellos se ajusten mejor y ocupen menos espacio.

#### **ES DIFÍCIL ABRIR LOS CAJONES**

- **¿Las juntas están sucias o pegajosas?** Limpie las juntas y las superficies que ellas tocan. Aplique una delgada camada de parafina sobre las juntas después de la limpieza.

# ASISTENCIA

## SI NECESITA SERVICIO:

Antes de llamar para solicitar asistencia o servicio, verifique "Resolución de problemas". Puede ahorrarle el costo de un servicio. Si aún necesita ayuda, siga las instrucciones a continuación.

Cuando llame, sepa la fecha de compra y el modelo completo y número de serie de su aparato. Esta información nos ayudará a responder mejor a su solicitud. Consulte la página de garantía de este manual. para obtener más información sobre el servicio.

## SI NECESITA PIEZAS DE REPUESTO:

Los componentes deben reemplazarse por componentes similares y el servicio debe ser realizado por un personal autorizado de la fábrica, para minimizar el riesgo de posible ignición debido a piezas incorrectas o servicio inadecuado.

## EN EE.UU.

Llame al Centro para la eXperiencia del cliente de JennAir sin costo al **1-800-JENNAIR (1-800-536-6247)** o visite nuestro sitio web en **WWW.jennair.com**

### NUESTROS CONSULTORES OFRECEN AYUDA PARA:

- Características y especificaciones de nuestra línea completa de electrodomésticos.
- Información sobre la instalación.
- Procedimiento para el uso y mantenimiento.
- Venta de accesorios y partes para reparación.
- Asistencia especializada para el consumidor (habla hispana, problemas de audición, visión limitada, etc.).
- Recomendaciones con distribuidores locales, compañías que dan servicio y distribuidores de partes para reparación. Los técnicos designados por JennAir están capacitados para cumplir con la garantía de producto y ofrecer servicio una vez que la garantía termine, en cualquier lugar de Estados Unidos.

Para localizar a una compañía de servicio designada por JennAir en su área, también puede consultar la sección amarilla de su guía telefónica.

### PARA OBTENER ASISTENCIA ADICIONAL

Si necesita asistencia adicional, puede escribir a JennAir con sus preguntas o dudas a:

JennAir Brand Home Appliances  
Customer eXperience Center  
553 Benson Road  
Benton Harbor, MI 49022-2692

Por favor incluya en su correspondencia un número de teléfono en el que se le pueda localizar durante el día.

## EN CANADÁ

Llame al Centro para la eXperiencia del cliente de JennAir en Canadá sin costo alguno al: **1-800-JENNAIR (1-800-536-6247)**.

### NUESTROS CONSULTORES OFRECEN AYUDA PARA:

- Características y especificaciones de nuestra línea completa de electrodomésticos.
- Procedimiento para el uso y mantenimiento.
- Venta de accesorios y partes para reparación.
- Recomendaciones con distribuidores locales, compañías que dan servicio y distribuidores de partes para reparación. Los técnicos designados por JennAir Canada están capacitados para cumplir con la garantía del producto y ofrecer servicio una vez que la garantía termine, en cualquier lugar de Canadá.

### PARA OBTENER ASISTENCIA ADICIONAL

Si necesita asistencia adicional, puede escribir a JennAir Canada con sus preguntas o dudas a:

JennAir Canada  
Customer eXperience Centre  
200 - 6750 Century Ave.  
Mississauga, Ontario L5N 0B7

Por favor incluya en su correspondencia un número de teléfono en el que se le pueda localizar durante el día.

## ACCESORIOS

Para solicitar accesorios, llame al **1-800-JENNAIR (1-800-536-6247)** y solicite el número de pieza correspondiente que se indica a continuación o comuníquese con su distribuidor autorizado de JennAir.

### FILTRO DE AGUA DE REEMPLAZO:

Pida la pieza #4396701

### LIMPIADOR DE COCINA Y APARATOS AFFRESH®:

En EE.UU., pida la pieza #W10355010

En Canadá, pida la pieza #W10355010B

### LIMPIADOR DE ACERO INOXIDABLE AFFRESH®:

En EE.UU., pida la pieza #W10355016

En Canadá, pida la pieza #W10355016B



# FICHA TÉCNICA DEL PRODUCTO

**Sistema de Filtración de Agua de la Raja de la Base**  
**Modelo WF-L200V capacidad 200 galones (757 litros)**  
**Modelo WF-NL120V capacidad 120 galones (454 litros)**



Testado y certificado por NSF International según la Norma ANSI/NSF 42 para la reducción de Cloro, Sabor y Olor, Partículas Clase III\*; y según la Norma ANSI/NSF 53 para la reducción de Plomo, Mercurio, Benceno y p-diclorobenceno.

Este sistema ha sido testado según la ANSI/NSF 42/53 para la reducción de las sustancias listadas abajo. La concentración de las sustancias indicadas en el agua que entra en el sistema ha sido reducida a una concentración menor o igual al límite permisible para el agua que sale del sistema, como especificado en la ANSI/NSF 42/53.

Efectos Estéticos de la Reducción de Sustancias	Exigencias de Reducción de la NSF	Afluente Medio	Concentración Reto Afluente	Efluente Máximo	Efluente Medio	Reducción % Mínima	Reducción % Media
Sabor/Olor de Cloro Partículas Clase III*	≥ 50 % ≥ 85 %	1.9 mg/L 49,333/mL	2.0 mg/L ± 10 % Por lo menos 10.000 partículas/mL	0.07 mg/L 640 mg/L**	0.06 mg/L 312 mg/L	>75.0 % 98.7 %	>75.0 % 99 %

Reducción de Contaminantes	Exigencias de Reducción de la NSF	Afluente Medio	Concentración Reto Afluente	Efluente Máximo	Efluente Medio	Reducción % Mínima	Reducción % Media
Plomo: @ pH 6.5 Plomo: @ pH 8.5	0.01 mg/L 0.01 mg/L	0.14 mg/L*** 0.15 mg/L***	0.15 mg/L ± 10 % 0.15 mg/L ± 10 %	0.0014 mg/L 0.0069 mg/L	0.0011 mg/L 0.0042 mg/L	99.0 % 95.4 %	99.21 % 97.08 %
Mercurio: @ pH 6.5 Mercurio: @ pH 8.5	0.002 mg/L 0.002 mg/L	0.0059 mg/L 0.0054 mg/L	0.006 mg/L ± 10 % 0.006 mg/L ± 10 %	0.0009 mg/L 0.0007 mg/L	0.0004 mg/L 0.00043 mg/L	84.74 % 87.03 %	92.47 % 91.93 %
Benceno	0.0050 mg/L	0.0157 mg/L	0.015 ± 10 %	0.002 mg/L	0.00083 mg/L	87.26 %	87.26 %
p-diclorobenceno	0.075 mg/L	0.210 mg/L	0.225 ± 10 %	0.0005 mg/L	0.0005 mg/L	99.76 %	99.76 %

Parámetros de la prueba: pH = 7,5 ± 0,5 a menos que se indique lo contrario. Flujo = 0,5 gpm (1,9 Lpm).  
 Presión = 60 psig (413,7 kPa). Temp. = 63 °F (17,2 °C).

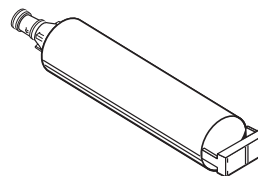
## ORIENTACIONES DE APLICACIÓN/PARÁMETROS DEL SUMINISTRO DE AGUA

- Es esencial que las exigencias operacionales, de mantenimiento y de reemplazo del filtro sean ejecutadas para que el producto funcione como anunciado.
- Modelo WF-L200V:** El sistema de monitoreo del filtro mide la cantidad de agua que pasa a través del filtro y le dice cuando reemplazarlo. Cuando se ha utilizado el 90 % de la vida nominal del filtro, la luz indicadora del filtro cambia de verde para amarillo. Cuando se ha utilizado el 100 % de la vida nominal del filtro, la luz indicadora del filtro cambia de amarillo para rojo, y se recomienda que el filtro sea reemplazado. Utilice el cartucho de repuesto L200V / NL120V, pieza #4396702. El precio al por menor sugerido para 2014 es de \$32,99 U.S.A./ \$49,99 Canadá. Los precios están sujetos a cambios sin previo aviso.

**Modelo WF-NL120V:** Reemplace el cartucho del filtro de agua cada 6-9 meses. Utilice el cartucho de repuesto L200V / NL120V, pieza #4396702. El precio al por menor sugerido para 2014 es de \$32,99 U.S.A./ \$49,99 Canadá. Los precios están sujetos a cambios sin previo aviso.

- El producto debe ser utilizado solo con agua fría.
- No utilice agua que sea microbiológicamente insegura o de calidad desconocida y sin la desinfección apropiada antes o después del sistema.
- Vea la cubierta frontal o la sección "Accesorios" para obtener el nombre, dirección y número de teléfono del Fabricante.
- Vea la sección "Garantía" para obtener la garantía limitada del Fabricante.

Suministro de Agua	Ciudad o Pozo
Presión del Agua	30 - 120 psi (207 - 827 kPa)
Temperatura del Agua	33 °F - 100 °F (0.6 °C - 37.8 °C)
Tasa de Flujo del Servicio	0.5 GPM (1.89 L/min.) @ 60 psi. (413.7 kPa)



Tamaño de partículas Clase III: >5 a <15 um

\*\*La exigencia de prueba es de por lo menos 10.000 partículas/mL de Polvo de Prueba Delgado de PA.

\*\*\*Estos contaminantes no necesariamente están en su suministro de agua. El desempeño puede variar según las condiciones locales del agua.

©NSF es una marca registrada de la NSF International.





JENNAIR®