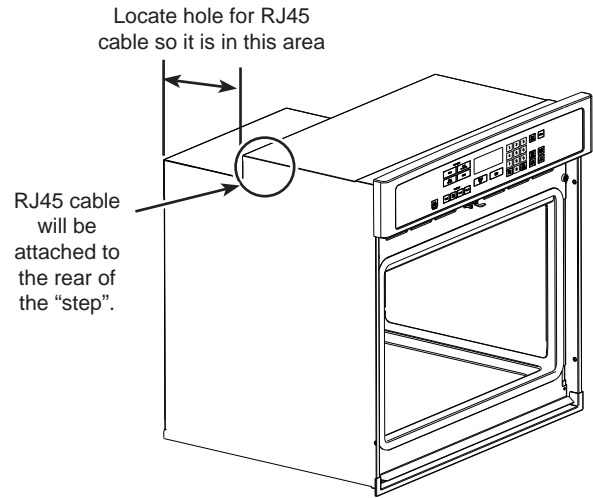
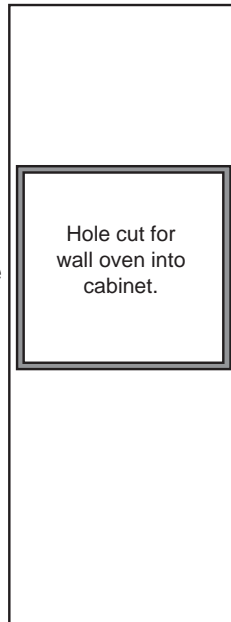




Installing Shabbos Keeper to GE Appliances Wall Oven

Preparing the Cabinet

- Determine the precise location of your wall oven according to the installation instructions that came with your appliance.
- Once the hole is cut for the wall oven, determine the location for the Shabbos Keeper RJ45 cable by measuring back from the front of the opening by a minimum of 20" and an inch below the top of the step. The connection for the RJ45 cable is located on the rear of the "step" on the oven. You will want to locate the hole between the "step down" on top of the wall oven and the rear of the oven as not to interfere with the highest portion of the oven.



Connecting RJ45 Cable

- The unit is shipped with the cable connector available for the RJ45 cable.
- To expose the connection, remove the screw from the black bracket on the "step" of the rear of the wall oven.



- Gently pull out the bracket to expose the RJ45 connector.



- Use one of the supplied adhesive strips to secure the bracket to the top of the step-down portion of the oven.



- Reinstall the screw removed earlier from the bracket. This screw will overlap the bracket and help to secure it to the oven.



- Insert the supplied RJ45 cable into the connector.
- This cable will be pulled through the drilled hole in the cabinet when the wall oven is installed. Once the cable is through the hole, connect the Shabbos Keeper module. **Note:** The hole must not force the RJ45 connection to bend more than 30 degrees from straight.
- This module can be mounted with the supplied adhesive strips to the inside of the cabinet where the hole was cut or may be left on the shelf.



- For instructions for use, see your appliance Owner's Manual and/or the manual supplied with the Shabbos Keeper.