

FOTILE



DESIGN
PATENT

36" | SLANT VENT SERIES RANGE HOODS



Powerful Smoke Extraction
Close proximity to cooking area, wide smoke inlet with 6 sq.ft. coverage area**



Efficient DC Motors *
Provide extraordinary power and smooth ventilation



Dual Centrifugal Blowers
Extract smoke quickly and prevent it from escaping



Motion Activation *
Convenient hand wave ON/OFF operation

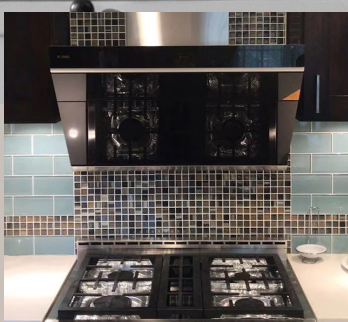


Easy and Fast Installations
Wall-mount or under-cabinet



98% Odor Reduction Rate
95% Grease Separation Rate

* Prestige Series Only ** Coverage area up to 7.2sq.ft in 36in models



JQG9001



JQG9006



JQG9001



JQG9006-W



Member of HVI, the most authoritative and credible institution in North America



INDUSTRY LEADING WARRANTY:

PARTS	3-YEAR (LIMITED)
LABOR	1-YEAR
MOTOR	LIFETIME GUARANTEE (LABOR NOT INCLUDED)

Email: info@fotileca.com
 Toll Free: 1-844-315-0315
 Address: 8365 Woodbine Ave, Unit 113,
 Markham ON. L3R 2P4
 Website: ca.fotileglobal.com



Wechat 公众号

小红书 @ 661117686

f @ FOTILECanada

Instagram @ fotile_canada

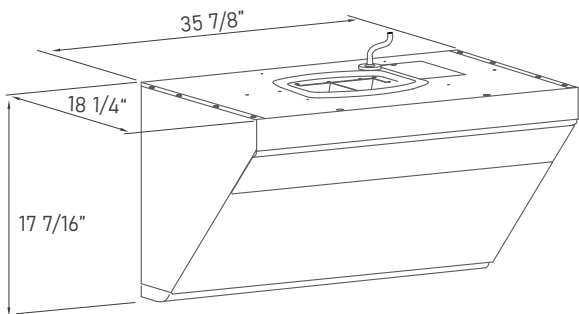


	Prestige Series	Classic Series
Width	36in	36in
Model Options	JQG9006 / JQG9006-W	JQG9001
Motor	Dual DC Motors	Dual AC Motors
Max. EQUIV. CFM	1000	850
Max. Static Pressure	540Pa	400Pa
Operation	Motion + Touch Screen	Touch Screen
Number of Speed Settings	3 + Stir-Fry Mode	3
Capture Shield	Automatically Opens to 90°	Automatically Opens to 90°
Delay Shutoff	2 min.	2 min.
Easy to Clean	Tempered Glass; Dishwasher Safe Oil Filter	Tempered Glass; Dishwasher Safe Oil Filter
Min. Noise Level	38dB	39dB
Color Options	Onyx Black / Elegant White	Onyx Black / Silver Grey

3-year limited warranty 1-year full warranty. 3-year limited warranty on all parts. Lifetime warranty on motor.

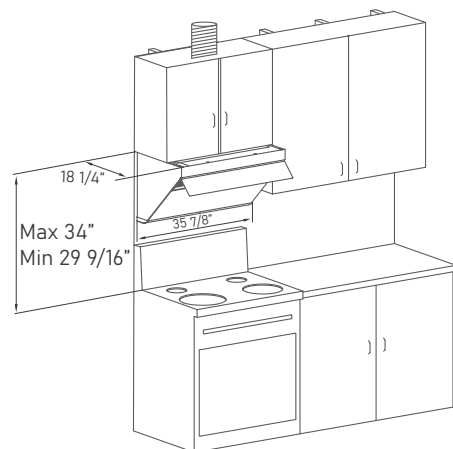


Unit: in



▲ Product Dimensions

Product Width: 35 7/8 inch Product Height: 17 7/16 inch Product Depth: 18 1/4 inch



▲ Installation Dimensions